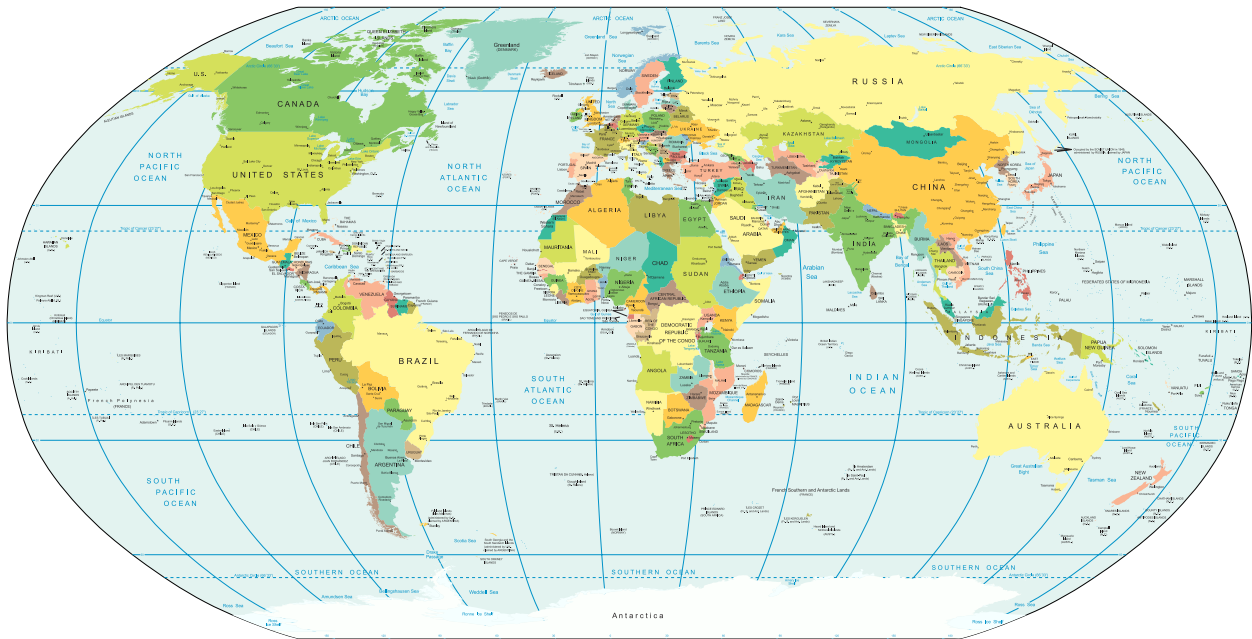


*CAT Seal Kits
Catalogue*





“Hydraulic Seal Specialists” Product Support And Sales

XIAMEN FENGJUN GONGMAO CO.,LTD

Tel:0086-592-5639498 Fax:0086-592-5632757

Mobile:0086-15889753642

Wechat/Whatsapp:0086-15889753642

Email:cmx@fujis-seal.com

New seal kits are always being added. Call for kits not shown and single seals.
All manufacturer's names, part numbers and descriptions are used for reference purposes only. We do not imply that any part shown is the product of these manufacturers.

Whatsapp: 0086-15889753642

cmx@fujis-seal.com



Hydraulic Seal Specialists

www.seal-kits.com

REPLACEMENT SEAL KITS FOR CATERPILLAR® EQUIPMENT*

Machine Type

| | | |
|---|--|-----------|
| Agricultural Tractors | 65, 65B, 75, 65C, 65D, 70C, 65E, 69D, 73D, 75C, 75D, 75E, 75G, 85C | 85 |
| Attachments | Hydraulic Hammers | 85 |
| Backhoe Loaders | 416B, 416C, 416D, 416E, 416F, 416F2, 420D, 420E, 420F, 420F/420F IT, 420F2/420F2 IT, 422E, 422F, 424D, 426B, 426C, 428B, 428C, 428D, 428E, 428F, 430D, 430E, 430F, 430F/430F IT, 430F2/430F2 IT, 432D, 432E, 432F, 434E, 434F, 436B, 436C, 438B, 438C, 438D, 442D, 442E, 444E, 444F, 446, 446B, 446D, 450E, 450F | |
| Crawler Dozers | D3K2 LGP, D3K2 XL, D4B, D4G, D4K XL & LGP, D4K2 LGP, D4K2 XL, D4L, D4TSKH, D5E, D5G, D5H, D5K XL & LGP, D5K2 LGP, D5K2 XL, D5M, D5N, D5TSKH, D6D, D6E, D6G, D6H, D6K LGP, D6K XL, D6K2, D6K2 LGP, D6K2 XL, D6M, D6N, D6R, D6T, D7 LGP, D7A, D7B, D7C, D7D, D7E, D7G, D7R, D8N, D8R, D8T, D9N, D9R, D9T, D10N, D10R, D10T, D11N, D11R, D11T | |
| Crawler Loaders | 931, 931B, 931C, 933, 933C, 933E, 933F, 933G, 935B, 935C, 939, 939C, 941, 941B, 943, 943B, 951, 951B, 951C, 953B, 953C, 953D, 963B, 963C, 963D, 973C | 144 - 152 |
| Dump Trucks - Articulated | 725, 730, 740, D25D, D30D, D35HP, D35HPC, D250D, D250E, D300B AG, D300B CANE H, D350D, D350D, D350E, D350E, D400, D400D, D400E | 152 - 157 |
| Excavators | 245, 245B, 302.5, 302.5C, 303 C CR, 303.5, 303.5C CR, 303CR, 304 C CR, 304.5, 304CR, 305 C CR, 305CR, 307, 307B, 307C, 308B, 308C CR, 308D CR, 308D CR SB, 311, 311B, 311C U, 312, 312B, 312BL, 312C, 312CL, 312E, 313B, 313F L, 313F LGC, 314C LCR, 314D CR, 314D LCR, 314E CR, 314E LCR, 315, 315B, 315B L, 315C, 315C L, 315D L, 315F LCR, 315L, 316E L, 316F L, 317, 317B, 317BL, 317N, 318B, 318BL, 318C, 318C L, 318C LN, 320, 320B, 320BL, 320C, 320C L, 320C LN, 320C LRR, 320C LU, 320C S, 320C U, 320D, 320D L, 320D LN, 320D LRR, 320D RR, 320E, 320E L, 320E LN, 320E LRR, 320E RR, 320F L, 320L, 320N, 320S, 321B, 321C LCR, 321D LCR, 322, 322B, 322BL, 322C, 322C FM LGP, 322C L, 322C LN, 322L, 322N, 323F L, 324D L, 324E, 324E L, 324E LN, 325B, 325BL, 325C, 325C L, 325C LN, 325D, 325D L, 325D LN, 325F L, 325L, 326F L, 326F LN, 328D LCR, 329D L, 329D LN, 329E, 329E L, 329E LN, 329F L, 329F LN, 330B, 330BL, 330C, 330C L, 330C LN, 330D, 330D L, 330D N, 330F, 330F L, 330F LN, 330L, 335F L, 335F LCR, 336D, 336D L, 336D LN, 336E H, 336E L, 336E LH, 336E LN, 336E LNH, 336F L, 345B, 345BL, 345C, 345C L, 345D L, 349E, 349E L, 349E L VG, 349F L, 350, 350, 350L, 365, 365B, 365C L, 365C L MH, 374F L, 375, 375L, 385B, 385B L, 385C, 385C FS, 385C L, 5110B, 5130, 5130B | 157 - 259 |
| Excavators - Compact | 301.7D CR, 302.7D, 303.5E2, 303.5E CR, 303.5E2 CR, 304E, 304E2, 304E2 CR, 305.5E, 305.5E2, 305.5E2 CR, 305E, 305E2, 305E2 CR, 308E, 308E CR, 308E2 CR | 259 - 275 |
| Excavators - Front-Shovel | 5080, 5110, 5230, 5230B | 2 |
| Excavators - Wheel | M315, M316, M318, M320 | 276 |
| Forestry - Excavators | 568 FM LL | 277 |
| Forestry - Forwarders | 554, 564, 574, 574B | 277 |
| Forestry - Industrial Tractors | TK371, TK381 | |
| Forestry - Knuckle Boom Load | 539 | |
| Forestry - Track Feller Bunchers | 511, 521, 521B, 522, 522B, 532, 541, 541 II, 551, 552, 552 II, 1090, 1190, 1190T, 1290T, 1390, 2290, 2390, 2391, 2491, 2590, TK711, TK721, TK722, TK732, TK741, TK751, TK752 | |
| Forestry - Track Skidder/ Grappler | 517, 527 | |
| Forestry - Track Skidders | D5H | |
| Forestry - Tree Harvesters | 550, 550B, 560B, 570, 570B, 580, 580B | |
| Forestry - Wheel Feller Bunchers | 533, 533C, 543, 563C, 563D, 573C, 573D TK370, TK380 | |
| Forestry - Wheel Skidders | 515, 525, 525B, 525C, 525D, 535B, 535C, 535D, 545, 545C, 545D | |
| Integrated Toolcarriers | IT12F, IT14F, IT14G, IT24F, IT28F, IT28G, IT38F, IT38G, IT62G | 301 - 303 |
| Landfill Compactors | 816, 816B, 816F, 826B, 826C, 826G, 836, 836C | 303 - 304 |
| Loaders - Skid Steer | 226, 226B, 226B2, 226B3, 226D, 236, 236B, 236B2, 236B3, 236D, 242, 242B, 242B2, 242D, 246, 246B, 246C, 246D, 252B, 252B2, 252B3, 262, 262B, 262C, 262C2, 262D, 268B, 272C, 272D, 272D2, 272D XHP | 304 - 322 |

Continued on Next Page

| | | |
|--|---|-----------|
| Loaders - Track Skid Steer | 232B, 232B2, 232D, 239D, 247B, 247B2, 247B3, 249D, 257B, 257B2, 257B3, 257D, 259B3, 259D, 267B, 272D, 272D XHP, 277B, 277C, 277C2, 279C, 279C2, 279D, 287B, 287C, 287C2, 287D, 289C, 289C2, 289D, 297C, 297D, 297D XHP, 297D2, 297D2 XHP, 299C, 299D, 299D XHP, 299D2, 299D2 XHP | |
| Loaders - Wheel | 902, 904, 906, 906M, 908, 908M, 910E, 910F, 914, 914G, 924, 924F, 924G, 924Gz, 924Hz, 924K, 926, 926E, 926M, 928F, 928G, 928Hz, 930G, 930H, 930K, 930M, 930R, 930T, 936F, 938F, 938G, 938H, 938K, 938M, 944, 944A, 950B, 950E, 950F, 950G, 950H, 950K, 950M, 960F, 960G, 962G, 966, 966E, 966F, 966G, 966H, 966K, 966M, 970F, 972G, 972H, 972K, 972M, 972M XE, 980F, 980G, 980H, 980K, 980M, 982M, 988F, 988G, 988H, 990, 992D, 992G, 992K, 994D, R1300, R1300G, R1600, R1600G, R1700, R1700G | |
| Motor Graders | 12G, 12H, 12M, 12M2, 12M3, 14G, 14H, 14M, 16G, 16H, 16M, 24H, 112E, 112F, 120, 120G, 120H, 120M, 120M2, 130G, 135H, 140G, 140H, 143H, 140M, 140M2, 140M3, 160H, 163H | 366 - 385 |
| Off-Highway Trucks | 768C, 769, 769B 769C, 769D, 770, 771C, 771D, 772B, 772E, 773B, 773D, 773E, 773F, 773G, 775, 775B, 775D, 775E, 775F, 775G, 776C, 776D, 777C, 777D, 777F, 777G, 783B, 784B, 784C, 785, 785B, 785C, 785D, 786, 787B, 789, 789B, 789C, 789D, 793, 793B, 793C, 793D, 797, 797B, 797F | 385 - 395 |
| Pipelayers | 572G, 583R, 583T, 587R, 587T, 589, 591, MD7, MD8, MDW8, PL61, PL83, PL87 | 395 - 396 |
| Scrapers | 611, 613C II, 613G, 613SC, 615C II, 615SC, 621F, 621G, 621H, 621SC, 623F, 623F, 623G, 623G, 623H, 623SC, 623SCG, 627F, 627G, 627H, 627SC, 630, 630SC, 631E II, 631G, 631SC, 633B, 633E, 633E II, 633SC, 637B, 637E II, 637G, 637SC, 639SC, 641SC, 651C, 651E, 651SC, 657E, 657G, 657SC, 660SC, 666SC | |
| Skidders | 515, 525, 517, 518C, 520D, 522C, 520C, 525B, 527, 528B, 530B, 535B, 545, FB508, FB518 | 412 - 413 |
| Soil Compactors | 815, 815B, 815F, 815S, 825, 825B, 825C, 825G, 835 | 413 - 415 |
| Telehandlers | TH62, TH63, TH82, TH83, TH355B, TH360B, TL642, TL943, TL1055, TL1255 | 415 - 420 |
| Wheel Dozers | 814, 814B, 814F, 814S, 824, 824B, 824C, 824S, 834S, 834U, 830M, 834, 834B, 834C | 420 - 424 |
| Alpha-Numeric Kit Listing | | 426 - 450 |
| Caterpillar Individual Parts | | 451 - 481 |
| Caterpillar Nylon Insert Locking Nuts | | 482 |
| Caterpillar Assortment Kits | | 483 |
| Caterpillar Towmotor Lift Truck Kits | | 484 |

The following models are available online at www.fujismall.com or by email: cmx@fujis-seal.com.

| | |
|----------------------------------|--|
| Backhoe Loaders | 416, 426, 428, 436, 438 |
| Crawler Dozers | D10, D2, D3, D3 LGP, D3B, D3C, D4C, D4D, D4E, D4H, D5, D5B, D5C, D6, D6 LGP, D6B, D6C, D7, D7F, D7H, D8, D8H, D8K, D8L, D9D, D9G, D9H, D9L |
| Crawler Loaders | 953, 955, 963, 973, 977, 983, 955C, 955E, 955F, 955H, 955K, 955L, 977D, 977H, 977K, 977L |
| Dump Trucks - Articulated | D250B, D25C, D300B, D30C, D350B, D350C, D35C, D40D |
| Excavators | 215, 215B, 215C, 215D, 219, 219D, 225, 225B, 225D, 227, 229, 229D, 231D, 235, 235 FS, 235B, 235C, 235C FS, 235D, 245, 245 FS, 245B FS, 245D, 325, 325N, 330, E70B, E110, E110B, E120, E120B, E180, EL 180, E200B, EL200B, E240, EL240, E240B, EL240B, E300, EL300, E300B, EL300B |
| Integrated Toolcarriers | IT12, IT12B, IT14B, IT14C, IT18, IT18B, IT18F, IT28, IT28B |
| Loaders - Wheel | 910, 916, 920, 930, 936, 950, 980, 988, 980C, 988B, 992, 992B, 918F, 936E, 950E, 950F, 966A, 966B, 966C, 966D, 966R, 980B, 992C, G910, G916, G926, G936 |
| Motor Graders | 12, 12E, 12F, 14, 14D, 14E, 16, 112, 120B, 140, 140B, 160G |
| Off-Highway Trucks | 768, 768B, 769, 769B, 772, 773, 776, 776B, 777, 777B |
| Pipelayers | 561B, 561C, 561D, 571A, 571F, 571G, 572C, 572C, 572D, 572E, 572F, 578, 583, 583H, 583K, 594, 594H |
| Scrapers | 613, 613B, 613C, 615, 615C, 621, 621B, 621E, 621R, 621S, 623, 623B, 623E, 627, 627B, 627E, 630B, 631, 631B, 631C, 631D, 631E, 632, 633, 633C, 633D, 637, 637D, 637E, 639D, 641, 641B, 650, 650B, 651B, 651, 657, 657B, 660, 660B, 666, 666B, J621 |
| Skidders | 508, 518, 528 |

*All manufacturer's names, part numbers and descriptions are used for reference purposes only. We do not imply that any part shown is the product of these manufacturers. We also do not imply that the list price shown is exactly that of the manufacturer.

REPLACEMENT KITS FOR CATERPILLAR® EQUIPMENT

| Agricultural Tractors | | | | | | | |
|---------------------------------|----------|--------------------------------|---------|---------|-------|-------------|--------|
| APPLICATION | CYL # | Misc-Parts, Instructions, etc. | CODE | ROD | BORE | KIT # | |
| MODEL 65, 65B, 75 | | | | | | | |
| LIFT | | | | | | | |
| | 9T2230 | | P-UB-10 | 2 | 4 | CTC-1328816 | 127.22 |
| | 9T9517 | | P-UB-10 | 2 | 4 | CTC-1328816 | 127.22 |
| MODEL 65C, 65D, 70C | | | | | | | |
| LIFT | | | | | | | |
| | 9T9517 | | P-UB-10 | 2 | 4 | CTC-1328816 | 127.22 |
| MODEL 65E | | | | | | | |
| LIFT | | | | | | | |
| | 9T9517 | | P-UB-10 | 2 | 4 | CTC-1328816 | 127.22 |
| MODEL 69D | | | | | | | |
| STEERING | | | | | | | |
| | 1100532 | | P-UB-10 | 2 | 3 | CTC-7X2760 | 96.66 |
| | 9J1287 | | P-UB-10 | 2-3/8 | 3-3/4 | CTC-7X2808 | 110.61 |
| TENSIONER | | | | | | | |
| | 4T4168 | | I-SP-10 | 4,6-1/2 | 5-3/4 | CTC-8T4772 | 431.41 |
| | 9J4149 | | I-SP-10 | 4,6-1/2 | 5-3/4 | CTC-8T4772 | 431.41 |
| MODEL 73D | | | | | | | |
| LIFT | | | | | | | |
| | 1163092 | | P-UB-3 | 7 | 8 | CTC-1137478 | 899.12 |
| STEERING RH | | | | | | | |
| | 7J7686 | | P-UB-10 | 2-3/8 | 4 | CTC-8T1389 | 65.32 |
| TENSIONER | | | | | | | |
| | 1455155 | | I-SP-10 | 5,7-1/2 | 8-1/4 | CTC-8T9042 | 624.28 |
| | 9J2017 | | I-SP-10 | 5,7-1/2 | 8-1/4 | CTC-8T9042 | 624.28 |
| | 9T3122 | | I-SP-10 | 5,7-1/2 | 8-1/4 | CTC-8T9042 | 624.28 |
| UNSPECIFIED APPLICATION | | | | | | | |
| | 1162837 | | P-U-3 | 7 | 8-1/2 | CTC-1417296 | 374.87 |
| | 1U4777 | | P-UB-3 | 7 | 8 | CTC-1137478 | 899.12 |
| | 9T6081 | | P-U-3 | 7 | 8-1/2 | CTC-1417296 | 374.87 |
| | 9T7204 | | N-N-10 | | 2 | CTC-6E4057 | 29.34 |
| MODEL 75C | | | | | | | |
| LIFT | | | | | | | |
| | 9T9517 | | P-UB-10 | 2 | 4 | CTC-1328816 | 127.22 |
| MODEL 75D, 75E, 75G, 85C | | | | | | | |
| LIFT | | | | | | | |
| | 9T9517 | | P-UB-10 | 2 | 4 | CTC-1328816 | 127.22 |
| Attachments | | | | | | | |
| APPLICATION | CYL # | Misc-Parts, Instructions, etc. | CODE | ROD | BORE | KIT # | |
| MODEL Hydraulic Hammers | | | | | | | |
| 63 | | | | | | | |
| | 4GL1-121 | | | | | | |
| | | | I-U-1 | 63 mm | | CTC-1094745 | 151.41 |
| H63 | | | | | | | |
| | 4GL122- | | | | | | |
| | | | I-U-1 | 63 mm | | CTC-1094745 | 151.41 |
| H63S | | | | | | | |
| | 4GL122- | | | | | | |
| | | | I-U-1 | 63 mm | | CTC-1094745 | 151.41 |
| H90C | | | | | | | |
| | 6TZ1- | | | | | | |
| | | | I-U-1 | 80 mm | | CTC-1508828 | 321.43 |
| H90CS | | | | | | | |
| | 6TZ1- | | | | | | |
| | | | I-U-1 | 80 mm | | CTC-1508828 | 321.43 |

REPLACEMENT KITS FOR CATERPILLAR® EQUIPMENT

| Backhoe Loaders | | | | | | | |
|--------------------------------|--|--------------------------------|---------|-------|-------|-------------|--------|
| APPLICATION | CYL # | Misc-Parts, Instructions, etc. | CODE | ROD | BORE | KIT # | |
| MODEL 416B | | | | | | | |
| BACKHOE BOOM | | | | | | | |
| | 6E0274 | | P-UB-10 | 2-3/8 | 4-1/2 | CTC-3E8877 | 214.74 |
| BACKHOE BUCKET | | | | | | | |
| | 1268308 | | I-UB-10 | 2-1/2 | 3-1/2 | CTC-3E3299 | 183.90 |
| | 6E0275 | | I-UB-10 | 2-1/2 | 3-1/2 | CTC-3E3299 | 183.90 |
| BACKHOE EXT BUCKET | | | | | | | |
| | 6E1964 | | I-UB-10 | 2-1/2 | 3-1/2 | CTC-3E3299 | 183.90 |
| BACKHOE STICK | | | | | | | |
| | 1065694 | Rod Bearing width- 1.25" | P-UB-10 | 2-1/2 | 4-1/2 | CTC-1469860 | 209.92 |
| | 1097020 | | P-UB-10 | 2-1/2 | 4-1/2 | CTC-1113300 | 187.32 |
| | 1097021 | | P-UB-10 | 2-1/2 | 4-1/2 | CTC-1113300 | 187.32 |
| | 6E0290 | Rod Bearing width- 1.25" | P-UB-10 | 2-1/2 | 4-1/2 | CTC-1469860 | 209.92 |
| | 6E0404 | | P-UB-10 | 1-1/2 | 3 | CTC-7X2737 | 148.96 |
| BACKHOE SWING | | | | | | | |
| | 1166861 | | P-UB-10 | 2 | 4 | CTC-1113302 | 163.17 |
| | 6E0288 | | P-UB-10 | 2 | 4 | CTC-1113302 | 163.17 |
| | 6E1864 | | P-UB-10 | 2 | 4 | CTC-1328816 | 127.22 |
| LOADER BUCKET MP | | | | | | | |
| | 9T4006 | | P-UB-10 | 1-1/2 | 3 | CTC-7X2737 | 148.96 |
| LOADER LIFT | | | | | | | |
| | 9T0415 | | P-UB-10 | 1-7/8 | 3-1/4 | CTC-3E3297 | 135.19 |
| LOADER TILT | | | | | | | |
| | 6E0105 | | P-UB-10 | 1-7/8 | 3-1/4 | CTC-3E3297 | 135.19 |
| | 9T5490 | | P-UB-10 | 1-7/8 | 3-1/4 | CTC-3E3297 | 135.19 |
| STABILIZER | | | | | | | |
| | 1052323 | | P-UB-10 | 2-1/8 | 4 | CTC-1305923 | 187.39 |
| | 1052358 | | P-UB-10 | 2-1/8 | 4 | CTC-1305923 | 187.39 |
| | 9T2993 | | P-UB-10 | 2-1/8 | 4 | CTC-9X2400 | 163.44 |
| | 9T2994 | | P-UB-10 | 2-1/8 | 4 | CTC-9X2400 | 163.44 |
| STABILIZER LH | | | | | | | |
| | 1165354 | | P-UB-10 | 2-1/8 | 4 | CTC-8T3593 | 97.36 |
| | 1302364 | | P-UB-10 | 2-1/8 | 4 | CTC-1305923 | 187.39 |
| | 6E0097 | | P-UB-10 | 2-1/8 | 4 | CTC-1305923 | 187.39 |
| STABILIZER RH | | | | | | | |
| | 1165353 | | P-UB-10 | 2-1/8 | 4 | CTC-1305923 | 187.39 |
| | 1302365 | | P-UB-10 | 2-1/8 | 4 | CTC-1305923 | 187.39 |
| | 6E0099 | | P-UB-10 | 2-1/8 | 4 | CTC-1305923 | 187.39 |
| STEERING | | | | | | | |
| | 6E5190 | | P-UB-10 | 1-7/8 | 3 | CTC-1113301 | 179.68 |
| UNSPECIFIED APPLICATION | | | | | | | |
| | 1070624 | | P-UB-10 | 1-7/8 | 3-1/4 | CTC-3E3297 | 135.19 |
| | 1070625 | | P-UB-10 | 1-7/8 | 3-1/4 | CTC-3E3297 | 135.19 |
| | 1165354 | | P-UB-10 | 2-1/8 | 4 | CTC-1305923 | 187.39 |
| MODEL 416C | | | | | | | |
| BACKHOE BOOM | | | | | | | |
| | 6E0274 | | P-UB-10 | 2-3/8 | 4-1/2 | CTC-3E8877 | 214.74 |
| | 1AR1-UP; 1BR1-UP; 1KR1-UP; 1LR1-UP; 1WR1-8115; 1XR1-415,684-2183; 4ZN1-16043; 5YN1-15147 | | | | | | |
| | 6E0274 | | P-UB-10 | 2-3/8 | 4-1/2 | CTC-1945583 | 111.97 |
| BACKHOE BUCKET | | | | | | | |
| | 1268308 | | I-UB-10 | 2-1/2 | 3-1/2 | CTC-3E3299 | 183.90 |
| | 1AR1-UP; 1BR1-UP; 1KR1-UP; 1LR1-UP; 1WR1-UP; 1XR1-2249; 4ZN1-UP; 5YN1-16589 | | | | | | |
| | 1268308 | | I-UB-10 | 2-1/2 | 3-1/2 | CTC-1864327 | 95.53 |
| | 1XR2250-UP; 5YN16590-UP | | | | | | |
| | 1668140 | | I-UB-10 | 2-3/4 | 3-3/4 | CTC-1361990 | 225.67 |
| BACKHOE EXT BUCKET | | | | | | | |
| | 6E1964 | | I-UB-10 | 2-1/2 | 3-1/2 | CTC-3E3299 | 183.90 |

REPLACEMENT KITS FOR CATERPILLAR® EQUIPMENT

| Backhoe Loaders | | | | | | |
|--|-------|--------------------------------|---------|-------|-------|--------------------|
| APPLICATION | CYL # | Misc-Parts, Instructions, etc. | CODE | ROD | BORE | KIT # |
| MODEL 416C | | | | | | |
| BACKHOE EXT BUCKET | | | | | | |
| 1AR1-UP; 1BR1-UP; 1KR1-UP; 1LR1-UP; 1WR1-UP; 1XR1-2249; 4ZN1-UP; 5YN1-16589 | | | | | | |
| 6E1964 | | | I-UB-10 | 2-1/2 | 3-1/2 | CTC-1864327 95.53 |
| 1XR2250-UP; 5YN16590-UP | | | | | | |
| 1668141 | | | I-UB-10 | 2-3/4 | 3-3/4 | CTC-1361990 225.67 |
| BACKHOE EXT STICK | | | | | | |
| 1AR1-UP; 1BR1-UP; 1KR1-UP; 1LR1-UP; 1WR1-8115; 1XR1-UP; 4ZN1-16043; 5YN1-16589 | | | | | | |
| 6E0404 | | | P-UB-10 | 1-1/2 | 3 | CTC-1856583 62.81 |
| 1WR8116-UP; 1XR2184-UP; 4ZN16044-UP; 5YN16590-UP | | | | | | |
| 1647174 | | | P-UB-10 | 1-1/2 | 3 | CTC-1856583 62.81 |
| BACKHOE STICK | | | | | | |
| 1097020 | | | | | | |
| 6E0404 | | | P-UB-10 | 2-1/2 | 4-1/2 | CTC-1113300 187.32 |
| 6E0404 | | | | | | |
| | | | P-UB-10 | 1-1/2 | 3 | CTC-7X2737 148.96 |
| 1AR1-UP; 1BR1-UP; 1KR1-UP; 1LR1-UP; 1WR1-UP; 1XR1-2183; 4ZN1-16043; 5YN1-15147 | | | | | | |
| 1097020 | | | P-UB-10 | 2-1/2 | 4-1/2 | CTC-1113300 187.32 |
| 1WR10495-UP; 1XR2258-UP; 4ZN16044-UP; 5YN16590-UP | | | | | | |
| 1843709 | | | P-UB-10 | 2-1/2 | 4-1/2 | CTC-2435805 100.86 |
| 1WR8116-UP; 1XR2184-UP; 4ZN16044-UP; 5YN15148-UP | | | | | | |
| 1692967 | | | P-UB-10 | 2-1/2 | 4-1/2 | CTC-1864362 100.19 |
| BACKHOE SWING | | | | | | |
| 1166857 | | | | | | |
| | | | P-UB-10 | 2 | 4 | CTC-1113302 163.17 |
| 1AR1-UP; 1BR1-438; 1BR649-UP; 1KR1-UP; 1LR1-UP; 1WR1-UP; 1XR1-2183; 4ZN1-16043; 5YN1-15147 | | | | | | |
| 1166861 | | | P-UB-10 | 2 | 4 | CTC-1857686 125.11 |
| 1WR8116-UP; 1XR2184-UP; 4ZN16044-UP; 5YN15360-UP | | | | | | |
| 1699529 | | | P-UB-10 | 2 | 4 | CTC-1113302 163.17 |
| COUPLER | | | | | | |
| 1KR1-UP; 1LR1-UP; 1WR1-UP; 1XR1-UP | | | | | | |
| 9T8823 | | | I-U-3 | 1 | 2 | CTC-9T0418 125.53 |
| 1WR8116-UP | | | | | | |
| 1783713 | | | I-U-10 | 1 | 2 | CTC-1809872 161.75 |
| LOADER BUCKET MP | | | | | | |
| 9T4006 | | | | | | |
| | | | P-UB-10 | 1-1/2 | 3 | CTC-7X2737 148.96 |
| 1AR1-UP; 1BR1-UP; 1KR1-UP; 1LR1-UP; 1WR1-UP; 1XR1-UP; 4ZN16044-UP; 5YN1-15147; 5YN16590-UP | | | | | | |
| 1851839 | | | P-UB-10 | 1-1/2 | 3 | CTC-1856583 62.81 |
| 1AR1-UP; 1BR1-UP; 1KR1-UP; 1LR1-UP; 1WR1-UP; 1XR1-UP; 4ZN1-UP; 5YN1-UP | | | | | | |
| 9T4006 | | | P-UB-10 | 1-1/2 | 3 | CTC-1856583 62.81 |
| 1XR2250-UP | | | | | | |
| 9T4006 | | | P-UB-10 | 1-1/2 | 3 | CTC-7X2737 148.96 |
| LOADER LIFT | | | | | | |
| 1AR1-UP; 1BR1-UP; 4ZN1-16043; 5YN1-15147 | | | | | | |
| 6E0103 | | | P-UB-10 | 1-7/8 | 3-1/4 | CTC-1933088 120.16 |
| 9T0415 | | | P-UB-10 | 1-7/8 | 3-1/4 | CTC-1933088 120.16 |
| 1AR1-UP; 1BR1-UP; 4ZN1-UP; 5YN1-UP | | | | | | |
| 1070624 | | | P-UB-10 | 1-7/8 | 3-1/4 | CTC-1933088 120.16 |
| 1KR1-UP; 1WR1-UP | | | | | | |
| 1235087 | | | P-UB-10 | 2 | 3-1/2 | CTC-2281778 106.58 |
| 1LR1-UP; 1XR1-UP | | | | | | |
| 1110888 | | | P-UB-10 | 2 | 3-1/2 | CTC-1857674 141.24 |
| 1235089 | | | P-UB-10 | 2 | 3-1/2 | CTC-1857674 141.24 |
| LOADER TILT | | | | | | |
| 6E0105 | | | | | | |
| | | | P-UB-10 | 1-7/8 | 3-1/4 | CTC-3E3297 135.19 |
| 1AR1-UP; 1BR1-648; 4ZN1-16043; 5YN1-3799 | | | | | | |
| 6E0105 | | | P-UB-10 | 1-7/8 | 3-1/4 | CTC-1933088 120.16 |
| 9T5370 | | | P-UB-10 | 1-7/8 | 3-1/4 | CTC-1933088 120.16 |
| 1AR1-UP; 1BR1-UP; 4ZN1-UP; 5YN1-UP | | | | | | |
| 1070625 | | | P-UB-10 | 1-7/8 | 3-1/4 | CTC-1933088 120.16 |

REPLACEMENT KITS FOR CATERPILLAR® EQUIPMENT

| Backhoe Loaders | | | | | | | |
|--|-------|--------------------------------|---------|-------|-------|-------------|--------|
| APPLICATION | CYL # | Misc-Parts, Instructions, etc. | CODE | ROD | BORE | KIT # | |
| MODEL 416C | | | | | | | |
| LOADER TILT | | | | | | | |
| 1KR1-UP; 1LR1-UP; 1WR1-UP; 1XR1-UP | | | | | | | |
| 1235091 | | | P-UB-10 | 2 | 3 | CTC-1857667 | 116.13 |
| 1WR9975-UP; 1XR2250-UP | | | | | | | |
| 1835158 | | | P-UB-10 | 2 | 3 | CTC-1857667 | 116.13 |
| STABILIZER | | | | | | | |
| 1AR1-UP; 1BR1-UP; 1KR1-UP; 1LR1-UP; 1WR1-UP; 1XR1-2183; 4ZN1-16043; 5YN1-15147 | | | | | | | |
| 1311846 | | | P-UB-10 | 2-1/8 | 4 | CTC-1935431 | 120.16 |
| 1311847 | | | P-UB-10 | 2-1/8 | 4 | CTC-1935431 | 120.16 |
| 1WR8116-UP; 1XR2184-2249; 4ZN16044-UP; 5YN15148-16589 | | | | | | | |
| 1521806 | | | P-UB-10 | 2-1/8 | 4 | CTC-1864404 | 136.62 |
| 1WR8116-UP; 1XR2184-2249; 4ZN16044-UP; 5YN15148-16589 | | | | | | | |
| 1521796 | | | P-UB-10 | 2-1/8 | 4 | CTC-1864404 | 136.62 |
| 1WR8442-UP; 1XR2184-UP; 4ZN16044-UP; 5YN15148-UP | | | | | | | |
| 1731926 | | | P-UB-10 | 2-1/8 | 4 | CTC-1864404 | 136.62 |
| 1731927 | | | P-UB-10 | 2-1/8 | 4 | CTC-1864404 | 136.62 |
| STABILIZER LH | | | | | | | |
| 1311846 | | | P-UB-10 | 2-1/8 | 4 | CTC-1305923 | 187.39 |
| 1521806 | | | P-UB-10 | 2-1/8 | 4 | CTC-1305923 | 187.39 |
| STABILIZER RH | | | | | | | |
| 1311847 | | | P-UB-10 | 2-1/8 | 4 | CTC-1305923 | 187.39 |
| 1521796 | | | P-UB-10 | 2-1/8 | 4 | CTC-1305923 | 187.39 |
| STEERING | | | | | | | |
| 1156437 | | | P-UB-10 | 1-3/4 | 2-1/2 | CTC-1539054 | 155.22 |
| UNSPECIFIED APPLICATION | | | | | | | |
| 1070624 | | | P-UB-10 | 1-7/8 | 3-1/4 | CTC-3E3297 | 135.19 |
| 1070625 | | | P-UB-10 | 1-7/8 | 3-1/4 | CTC-3E3297 | 135.19 |
| 1235087 | | | P-UB-10 | 2 | 3-1/2 | CTC-7X2783 | 141.24 |
| 1235091 | | | P-UB-10 | 2 | 3 | CTC-7X2760 | 96.66 |
| 9T8823 | | | I-U-3 | 1 | 2 | CTC-9T0418 | 125.53 |
| MODEL 416D | | | | | | | |
| BACKHOE BOOM | | | | | | | |
| BFP1-2532; BGJ1-UP; BKG1-537 | | | | | | | |
| 6E0274 | | | P-UB-10 | 2-3/8 | 4-1/2 | CTC-2418924 | 104.24 |
| BFP1-5177 | | | | | | | |
| 2063630 | | | P-UB-10 | 2-3/8 | 4-3/4 | CTC-2350973 | 137.14 |
| BFP1-UP; BGJ1-UP; BKG1-UP; B2D1-UP | | | | | | | |
| 2063628 | | | P-UB-10 | 2-3/8 | 4-1/2 | CTC-2350972 | 87.41 |
| BFP2533-5177; BGJ1-UP; BKG1-734 | | | | | | | |
| 1917753 | | | P-UB-10 | 2-3/8 | 4-1/2 | CTC-2616885 | 112.59 |
| BACKHOE BUCKET | | | | | | | |
| BFP1-5177; BGJ1-522; BKG1-1523 | | | | | | | |
| 1804849 | | | I-UB-10 | 2-1/2 | 3-1/2 | CTC-2235945 | 90.88 |
| BFP1-5177; BGJ1-522; BKG1-UP | | | | | | | |
| 1804239 | | | I-UB-10 | 2-1/2 | 3-1/2 | CTC-2235945 | 90.88 |
| BFP1-UP; BGJ1-UP; BKG1300-UP; B2D1-UP | | | | | | | |
| 2060514 | | | I-UB-10 | 2-1/2 | 3-1/2 | CTC-2235945 | 90.88 |
| 2060518 | | | I-UB-10 | 2-1/2 | 3-1/2 | CTC-2235945 | 90.88 |
| BGJ1050-UP | | | | | | | |
| 1917839 | | | I-UB-10 | 2-3/4 | 3-3/4 | CTC-2315021 | 101.67 |
| BACKHOE EXT STICK | | | | | | | |
| BFP1-5177; BGJ1-408; BKG1-UP; B2D1-UP | | | | | | | |
| 1647174 | | | P-UB-10 | 1-1/2 | 3 | CTC-1856583 | 62.81 |
| BFP5178-UP; BGJ409-UP | | | | | | | |
| 1917725 | | | P-UB-10 | 1-1/2 | 3 | CTC-3809484 | 56.90 |

CATERPILLAR®

REPLACEMENT KITS FOR CATERPILLAR® EQUIPMENT

| Backhoe Loaders | | | | | | | |
|---|-------|--------------------------------|---------|-------|--------|-------------|--------|
| APPLICATION | CYL # | Misc-Parts, Instructions, etc. | CODE | ROD | BORE | KIT # | |
| MODEL 416D | | | | | | | |
| BACKHOE STICK | | | | | | | |
| BFP1-5177; BGJ1-1049; BKG1-777 | | | | | | | |
| 1843709 | | | P-UB-10 | 2-1/2 | 4-1/2 | CTC-2435805 | 100.86 |
| BFP2533-5177; BGJ1-1049; BKG777-2499 | | | | | | | |
| 2060503 | | | P-UB-10 | 2-1/2 | 4-1/2 | CTC-2297194 | 75.66 |
| BFP5178-UP; BGJ1-UP; BKG2500-UP; B2D1-UP | | | | | | | |
| 2359829 | | | P-UB-10 | 2-1/2 | 4-1/2 | CTC-2297194 | 75.66 |
| LOADER BUCKET MP | | | | | | | |
| BFP12900-UP | | | | | | | |
| 2265540 | | | I-U-10 | 1-1/2 | 3 | CTC-2309357 | 76.03 |
| BFP1-UP; BGJ1-UP; BKG1-UP; CXP940-UP; B2D1-UP | | | | | | | |
| 1851839 | | | P-UB-10 | 1-1/2 | 3 | CTC-2350354 | 47.14 |
| LOADER LIFT | | | | | | | |
| BFP1-2491; BGJ1-UP | | | | | | | |
| 1070624 | | | P-UB-10 | 1-7/8 | 3-1/4 | CTC-2465926 | 60.62 |
| BFP12900-UP; BGJ1050-1140 | | | | | | | |
| 2300979 | | | P-U-10 | 1-7/8 | 3-1/4 | CTC-2332628 | 190.08 |
| BFP1-UP; CXP1-UP; BGJ1-1049; BGJ1141-UP; BKG1-UP; B2D1-UP | | | | | | | |
| 2063549 | | | P-UB-10 | 1-7/8 | 3-1/4 | CTC-2094979 | 61.97 |
| BFP2492-5177; BGJ1-522; BKG1-776; CXP1-939 | | | | | | | |
| 1917843 | | | P-UB-10 | 1-7/8 | 3-1/4 | CTC-2094979 | 61.97 |
| LOADER TILT | | | | | | | |
| BFP1-2491; BGJ1-522 | | | | | | | |
| 1851851 | | | P-UB-10 | 1-7/8 | 3-1/4 | CTC-2465926 | 60.62 |
| BFP1-UP; CXP1-UP; BGJ1-UP; BKG1-UP; B2D1-UP | | | | | | | |
| 2063553 | | | P-UB-10 | 1-7/8 | 3-1/4 | CTC-2094979 | 61.97 |
| BFP2492-5177; BGJ1-522; BKG1-1299; CXP1-939 | | | | | | | |
| 1924128 | | | P-UB-10 | 1-7/8 | 3-1/4 | CTC-2094979 | 61.97 |
| STABILIZER | | | | | | | |
| B2D267-UP | | | | | | | |
| 2627050 | | | P-UB-10 | 55 mm | 100 mm | CTC-2332623 | 148.51 |
| BFP13748-UP; BGJ1141-UP; B2D267-UP | | | | | | | |
| 2283499 | | | P-UB-10 | 55 mm | 100 mm | CTC-2332623 | 148.51 |
| BFP13793-UP; BGJ1141-UP; B2D267-UP | | | | | | | |
| 2283500 | | | P-UB-10 | 55 mm | 100 mm | CTC-2332623 | 148.51 |
| BFP1-5177; BGJ1-1049; BKG1-776 | | | | | | | |
| 1807484 | | | P-UB-10 | 2-1/8 | 4 | CTC-2857486 | 111.70 |
| 1807485 | | | P-UB-10 | 2-1/8 | 4 | CTC-2857486 | 111.70 |
| BFP1-UP; BGJ1-1140; BKG1-UP; B2D1-266 | | | | | | | |
| 2060520 | | | P-UB-10 | 2-1/8 | 4 | CTC-2857486 | 111.70 |
| 2060522 | | | P-UB-10 | 2-1/8 | 4 | CTC-2857486 | 111.70 |
| STEERING | | | | | | | |
| B2D1-UP; BFP12900-UP; BGJ1050-UP; BKG2500-UP | | | | | | | |
| 2145097 | | | I-U-10 | 36 mm | 65 mm | CTC-2152023 | 146.53 |
| BFP1-12899; BGJ1-1049; BKG1-UP | | | | | | | |
| 1674235 | | | P-UB-10 | 1-3/4 | 2-3/4 | CTC-2350351 | 198.90 |
| 1674235 | | | P-UB-10 | 1-3/4 | 2-3/4 | CTC-2350352 | 138.06 |
| BFP1-9559; BGJ1-1049; CXP1-399 | | | | | | | |
| 1787190 | | | I-U-10 | 36 mm | 65 mm | CTC-1787189 | 302.43 |
| SWING | | | | | | | |
| BFP1-2461; BGJ1-1049 | | | | | | | |
| 1699529 | | | P-UB-10 | 2 | 4 | CTC-3809482 | 99.65 |
| BFP13793-UP; BGJ1141-UP; B2D267-UP | | | | | | | |
| 2283506 | | | P-UB-10 | 50 mm | 100 mm | CTC-2332622 | 85.34 |
| BFP2492-UP; BGJ1-1140; BKG1-UP; B2D1-UP | | | | | | | |
| 1918161 | | | P-UB-10 | 2 | 4 | CTC-2618625 | 64.19 |

REPLACEMENT KITS FOR CATERPILLAR® EQUIPMENT

| Backhoe Loaders | | | | | | | |
|-------------------|-----------------------------|--------------------------------|---------|-------|--------|--------------|--------|
| APPLICATION | CYL # | Misc-Parts, Instructions, etc. | CODE | ROD | BORE | KIT # | |
| MODEL 416D | | | | | | | |
| THUMB | | | | | | | |
| | BFP12900-UP | | | | | | |
| | 2754243 | | I-U-10 | 50 mm | 70 mm | CTC-2764172 | 64.44 |
| MODEL 416E | | | | | | | |
| BACKHOE BOOM | | | | | | | |
| | BWC1-UP; CBD1-UP; SHA1-UP | | | | | | |
| | 2107074 | | P-UB-10 | 2-1/4 | 4-1/2 | CTC-2959891 | 87.02 |
| | BWC1-UP; SHA1-UP | | | | | | |
| | 2469885 | | P-UB-10 | 2-1/4 | 4-1/2 | CTC-2469885K | 83.98 |
| BACKHOE BUCKET | | | | | | | |
| | BWC1-UP; CBD1-UP; SHA1-UP | | | | | | |
| | 2107086 | | I-UB-10 | 2-3/8 | 85 mm | CTC-3651283 | 95.29 |
| | BWC1-UP; SHA1-UP | | | | | | |
| | 2107085 | | I-UB-10 | 2-3/8 | 85 mm | CTC-4158260 | 79.76 |
| | CBD1-UP | | | | | | |
| | 2107088 | | I-UB-10 | 2-1/2 | 3-1/2 | CTC-3387038 | 45.99 |
| BACKHOE EXT STICK | | | | | | | |
| | BWC1-UP; CBD1-UP; SHA1-UP | | | | | | |
| | 2107098 | | P-UB-10 | 1-1/2 | 3 | CTC-3387156 | 55.77 |
| | BWC1-UP; SHA1-UP | | | | | | |
| | 2107097 | | P-UB-10 | 1-1/2 | 3 | CTC-3387156 | 55.77 |
| BACKHOE STICK | | | | | | | |
| | BWC1-UP; CBD1-UP; SHA1-UP | | | | | | |
| | 2107078 | | P-UB-10 | 2-1/4 | 4-1/4 | CTC-3809470 | 77.13 |
| | BWC1-UP; SHA1-UP | | | | | | |
| | 2107077 | | P-UB-10 | 2-1/4 | 4-1/4 | CTC-4158072 | 78.63 |
| GRAPPLE | | | | | | | |
| | CBD1-UP; SHA1-UP | | | | | | |
| | 2754243 | | I-U-10 | 50 mm | 70 mm | CTC-2764172 | 64.44 |
| LOADER BUCKET MP | | | | | | | |
| | BWC1-UP; CBD1-UP; SHA1-UP | | | | | | |
| | 2265540 | | I-U-10 | 1-1/2 | 3 | CTC-2309357 | 76.03 |
| | CBD1-UP | | | | | | |
| | 1851839 | | P-UB-10 | 1-1/2 | 3 | CTC-2350354 | 47.14 |
| LOADER LIFT | | | | | | | |
| | BWC1-UP; CBD1-UP; SHA1-UP | | | | | | |
| | 2283508 | | P-U-10 | 1-7/8 | 3-1/4 | CTC-2332628 | 190.08 |
| LOADER TILT | | | | | | | |
| | BWC1-UP; CBD1-UP; SHA1-UP | | | | | | |
| | 2063553 | | P-UB-10 | 1-7/8 | 3-1/4 | CTC-2342593 | 87.07 |
| STABILIZER | | | | | | | |
| | BWC1-UP; CBD1-5744; SHA1-UP | | | | | | |
| | 2627049 | | P-UB-10 | 55 mm | 100 mm | CTC-2332623 | 148.51 |
| | 2627049 | | Bushing | 55 mm | | CTC-2332614 | 23.29 |
| | 2627050 | | P-UB-10 | 55 mm | 100 mm | CTC-2332623 | 148.51 |
| | 2627050 | | Bushing | 55 mm | | CTC-2332614 | 23.29 |
| SWING | | | | | | | |
| | BWC1-UP; CBD1-5744; SHA1-UP | | | | | | |
| | 2781971 | | P-UB-10 | 50 mm | 100 mm | CTC-2332622 | 85.34 |
| | 2781971 | | Bushing | 50 mm | | CTC-2332613 | 19.72 |
| MODEL 416F | | | | | | | |
| BACKHOE BUCKET | | | | | | | |
| | KSF1-UP; LWT1-UP | | | | | | |
| | 2107088 | | I-UB-10 | 2-1/2 | 3-1/2 | CTC-3387038 | 45.99 |

REPLACEMENT KITS FOR CATERPILLAR® EQUIPMENT

| Backhoe Loaders | | | | | | | |
|---------------------------|---------|--------------------------------|---------|-------|--------|-------------|--------|
| APPLICATION | CYL # | Misc-Parts, Instructions, etc. | CODE | ROD | BORE | KIT # | |
| MODEL 416F | | | | | | | |
| BOOM | | | | | | | |
| KSF1-UP; LWT1-UP | | | | | | | |
| | 2107074 | | P-UB-10 | 2-1/4 | 4-1/2 | CTC-2959891 | 87.02 |
| BUCKET MP | | | | | | | |
| KSF1-UP; LWT1-UP | | | | | | | |
| | 2265540 | | I-U-10 | 1-1/2 | 3 | CTC-2309357 | 76.03 |
| COUPLER | | | | | | | |
| KSF1-UP; LWT1-UP | | | | | | | |
| | 1903085 | | I-U-10 | 1 | 2 | CTC-1809872 | 161.75 |
| | 3750724 | | I-U-10 | 7/8 | 2 | CTC-3675261 | 22.29 |
| LWT1-UP | | | | | | | |
| | 3611139 | | I-U-15 | 3/4 | 1-1/4 | CTC-3611131 | 56.90 |
| LIFT LH | | | | | | | |
| KSF1-UP; LWT1-UP | | | | | | | |
| | 3585034 | | I-U-10 | 50 mm | 80 mm | CTC-3240356 | 112.03 |
| LIFT RH | | | | | | | |
| KSF1-UP; LWT1-UP | | | | | | | |
| | 3585035 | | I-U-10 | 50 mm | 80 mm | CTC-3240356 | 112.03 |
| STABILIZER LH | | | | | | | |
| KSF1-UP; LWT1-UP | | | | | | | |
| | 2912681 | | P-UB-10 | 55 mm | 100 mm | CTC-3975181 | 112.96 |
| | 2912681 | | Bushing | 55 mm | | CTC-2332614 | 23.29 |
| STABILIZER RH | | | | | | | |
| KSF1-UP; LWT1-UP | | | | | | | |
| | 2912682 | | P-UB-10 | 55 mm | 100 mm | CTC-3975181 | 112.96 |
| | 2912682 | | Bushing | 55 mm | | CTC-2332614 | 23.29 |
| STEERING | | | | | | | |
| KSF1-UP; LWT1-UP | | | | | | | |
| | 2145097 | | I-U-10 | 36 mm | 65 mm | CTC-2152023 | 146.53 |
| STICK | | | | | | | |
| KSF1-UP; LWT1-UP | | | | | | | |
| | 2107078 | | P-UB-10 | 2-1/4 | 4-1/4 | CTC-3809470 | 77.13 |
| STICK EXTENDABLE | | | | | | | |
| KSF1-UP; LWT1-UP | | | | | | | |
| | 2107098 | | P-UB-10 | 1-1/2 | 3 | CTC-3387156 | 55.77 |
| SWING LH | | | | | | | |
| KSF1-UP; LWT1-UP | | | | | | | |
| | 3818055 | | P-UB-10 | 50 mm | 100 mm | CTC-3779352 | 92.18 |
| | 3818055 | | Bushing | 50 mm | | CTC-2332613 | 19.72 |
| SWING RH | | | | | | | |
| KSF1-UP; LWT1-UP | | | | | | | |
| | 3818054 | | P-UB-10 | 50 mm | 100 mm | CTC-3779352 | 92.18 |
| | 3818054 | | Bushing | 50 mm | | CTC-2332613 | 19.72 |
| THUMB | | | | | | | |
| LWT1-UP | | | | | | | |
| | 2754243 | | I-U-10 | 50 mm | 70 mm | CTC-2764172 | 64.44 |
| TILT | | | | | | | |
| KSF1-UP; LWT1-UP | | | | | | | |
| | 3585044 | | I-U-10 | 50 mm | 90 mm | CTC-3556294 | 110.87 |
| MODEL 416F2 | | | | | | | |
| BOOM | | | | | | | |
| HWB1-UP; LBF1-UP; LYA1-UP | | | | | | | |
| | 2107074 | | P-UB-10 | 2-1/4 | 4-1/2 | CTC-2959891 | 87.02 |

REPLACEMENT KITS FOR CATERPILLAR® EQUIPMENT

| Backhoe Loaders | | | | | | | |
|---------------------------|---------|--------------------------------|---------|-------|--------|-------------|--------|
| APPLICATION | CYL # | Misc-Parts, Instructions, etc. | CODE | ROD | BORE | KIT # | |
| MODEL 416F2 | | | | | | | |
| BUCKET | | | | | | | |
| HWB1-UP; LBF1-UP; LYA1-UP | | | | | | | |
| | 4495429 | | P-U-10 | 60 mm | 90 mm | CTC-5212974 | 113.69 |
| | 5107951 | | P-U-10 | 60 mm | 90 mm | CTC-5212974 | 113.69 |
| BUCKET MP | | | | | | | |
| HWB1-UP; LBF1-UP; LYA1-UP | | | | | | | |
| | 2265540 | | I-U-10 | 1-1/2 | 3 | CTC-2309357 | 76.03 |
| COUPLER | | | | | | | |
| HWB1-UP; LYA1-UP | | | | | | | |
| | 3611139 | | I-U-15 | 3/4 | 1-1/4 | CTC-3611131 | 56.90 |
| | 4555975 | | I-U-15 | 3/4 | 1-1/4 | CTC-3611131 | 56.90 |
| LIFT LH | | | | | | | |
| HWB1-UP; LBF1-UP; LYA1-UP | | | | | | | |
| | 3585034 | | I-U-10 | 50 mm | 80 mm | CTC-3240356 | 112.03 |
| | 5107944 | | P-U-10 | 50 mm | 80 mm | CTC-5016702 | 104.94 |
| LIFT RH | | | | | | | |
| HWB1-UP; LBF1-UP; LYA1-UP | | | | | | | |
| | 3585035 | | I-U-10 | 50 mm | 80 mm | CTC-3240356 | 112.03 |
| | 5107945 | | P-U-10 | 50 mm | 80 mm | CTC-5016702 | 104.94 |
| STABILIZER LH | | | | | | | |
| HWB1-UP; LBF1-UP; LYA1-UP | | | | | | | |
| | 2912681 | | P-UB-10 | 55 mm | 100 mm | CTC-3975181 | 112.96 |
| | 2912681 | | Bushing | 55 mm | | CTC-2332614 | 23.29 |
| LBF1-UP | | | | | | | |
| | 2627049 | | P-UB-10 | 55 mm | 100 mm | CTC-2332623 | 148.51 |
| | 2627049 | | Bushing | 55 mm | | CTC-2332614 | 23.29 |
| STABILIZER RH | | | | | | | |
| HWB1-UP; LBF1-UP; LYA1-UP | | | | | | | |
| | 2912682 | | P-UB-10 | 55 mm | 100 mm | CTC-3975181 | 112.96 |
| | 2912682 | | Bushing | 55 mm | | CTC-2332614 | 23.29 |
| LBF1-UP | | | | | | | |
| | 2627050 | | P-UB-10 | 55 mm | 100 mm | CTC-2332623 | 148.51 |
| | 2627050 | | Bushing | 55 mm | | CTC-2332614 | 23.29 |
| STEERING | | | | | | | |
| HWB1-UP; LYA1-UP | | | | | | | |
| | 2145097 | | I-U-10 | 36 mm | 65 mm | CTC-2152023 | 146.53 |
| LBF1-UP | | | | | | | |
| | 4826752 | | I-U-10 | 40 mm | 65 mm | CTC-4907482 | 166.16 |
| STICK | | | | | | | |
| HWB1-UP; LBF1-UP; LYA1-UP | | | | | | | |
| | 2107078 | | P-UB-10 | 2-1/4 | 4-1/4 | CTC-3809470 | 77.13 |
| STICK EXTENDABLE | | | | | | | |
| HWB1-UP; LBF1-UP; LYA1-UP | | | | | | | |
| | 2107098 | | P-UB-10 | 1-1/2 | 3 | CTC-3387156 | 55.77 |
| SWING LH | | | | | | | |
| HWB1-UP; LBF1-UP; LYA1-UP | | | | | | | |
| | 3818055 | | P-UB-10 | 50 mm | 100 mm | CTC-3779352 | 92.18 |
| | 3818055 | | Bushing | 50 mm | | CTC-2332613 | 19.72 |
| SWING RH | | | | | | | |
| HWB1-UP; LBF1-UP; LYA1-UP | | | | | | | |
| | 3818054 | | P-UB-10 | 50 mm | 100 mm | CTC-3779352 | 92.18 |
| | 3818054 | | Bushing | 50 mm | | CTC-2332613 | 19.72 |
| THUMB | | | | | | | |
| HWB1-UP; LBF1-UP; LYA1-UP | | | | | | | |
| | 2754243 | | I-U-10 | 50 mm | 70 mm | CTC-2764172 | 64.44 |

REPLACEMENT KITS FOR CATERPILLAR® EQUIPMENT

| Backhoe Loaders | | | | | | | |
|--------------------|---------|--|---------|-------|-------|--------------|--------|
| APPLICATION | CYL # | Misc-Parts, Instructions, etc. | CODE | ROD | BORE | KIT # | |
| MODEL 416F2 | | | | | | | |
| TILT | | | | | | | |
| | | HWB1-UP; LBF1-UP; LYA1-UP | | | | | |
| | 3585044 | | I-U-10 | 50 mm | 90 mm | CTC-3556294 | 110.87 |
| | 5107946 | | P-U-10 | 50 mm | 90 mm | CTC-5212972 | 106.39 |
| MODEL 420D | | | | | | | |
| BACKHOE BOOM | | | | | | | |
| | 1529148 | | P-UB-10 | 2-3/8 | 4-3/4 | CTC-2350973 | 137.14 |
| | | BKC1-501; BLN1-1832; BMC1-610; FDP1-3137 | | | | | |
| | 1529148 | | P-UB-10 | 2-3/8 | 4-3/4 | CTC-2350973 | 137.14 |
| | | BKC1-501; BLN1833-4543; BMC1-610; FDP3138-7198 | | | | | |
| | 1917846 | | P-UB-10 | 2-3/8 | 4-3/4 | CTC-2350973 | 137.14 |
| | | BKC1-UP; BLN1833-UP; BMC1-UP; FDP7199-UP; MBH1-UP | | | | | |
| | 2063630 | | P-UB-10 | 2-3/8 | 4-3/4 | CTC-2350973 | 137.14 |
| BACKHOE BUCKET | | | | | | | |
| | 1668140 | | I-UB-10 | 2-3/4 | 3-3/4 | CTC-2235944 | 108.68 |
| | | BKC1-501; BLN1-4543; BMC1-610; FDP1-7198 | | | | | |
| | 1668140 | | I-UB-10 | 2-3/4 | 3-3/4 | CTC-2235944 | 108.68 |
| | | BKC1-UP; BLN1-UP; BMC1-UP; FDP1-UP | | | | | |
| | 1917839 | | I-UB-10 | 2-3/4 | 3-3/4 | CTC-2315021 | 101.67 |
| | | BKC1-UP; BLN1-UP; BMC1-UP; FDP1-UP; MBH1-UP | | | | | |
| | 1917835 | | I-UB-10 | 2-3/4 | 3-3/4 | CTC-2315021 | 101.67 |
| | | BLN1-4543; FDP1-7198 | | | | | |
| | 1668141 | | I-UB-10 | 2-3/4 | 3-3/4 | CTC-2235944 | 108.68 |
| BACKHOE EXT BUCKET | | | | | | | |
| | 1668141 | | I-UB-10 | 2-3/4 | 3-3/4 | CTC-2235944 | 108.68 |
| BACKHOE EXT STICK | | | | | | | |
| | 1647174 | | P-UB-10 | 1-1/2 | 3 | CTC-2350354 | 47.14 |
| | | BKC1-401; BLN1-4543; BMC1-506; FDP1-7198 | | | | | |
| | 1647174 | | P-UB-10 | 1-1/2 | 3 | CTC-2350354 | 47.14 |
| | | BKC402-UP; BLN4544-UP; BMC507-UP; FDP7199-UP | | | | | |
| | 1917725 | | P-UB-10 | 1-1/2 | 3 | CTC-3809484 | 56.90 |
| BACKHOE STICK | | | | | | | |
| | 1843709 | | P-UB-10 | 2-1/2 | 4-1/2 | CTC-2435805 | 100.86 |
| | | BKC1-501; BLN1-4543; BMC1-610; FDP1-7198 | | | | | |
| | 1843709 | | P-UB-10 | 2-1/2 | 4-1/2 | CTC-2435805 | 100.86 |
| | | BKC1-919; BLN1833-10299; BMC1-1059; FDP7199-18399 | | | | | |
| | 2060503 | | P-UB-10 | 2-1/2 | 4-1/2 | CTC-2297194 | 75.66 |
| | | BKC502-UP; BLN8014-UP; BMC1-UP; FDP10193-UP; MBH1-UP | | | | | |
| | 2359829 | | P-UB-10 | 2-1/2 | 4-1/2 | CTC-2359829K | 75.62 |
| BACKHOE SWING | | | | | | | |
| | 1699529 | | P-UB-10 | 2 | 4 | CTC-1113302 | 163.17 |
| COUPLER | | | | | | | |
| | | BLN1-UP; MBH1-UP | | | | | |
| | 1783713 | | I-U-10 | 1 | 2 | CTC-1809872 | 161.75 |
| GRAPPLE | | | | | | | |
| | | BLN10300-UP; FDP18400-UP | | | | | |
| | 2754243 | | I-U-10 | 50 mm | 70 mm | CTC-2764172 | 64.44 |
| LOADER BUCKET MP | | | | | | | |
| | 1851839 | | P-UB-10 | 1-1/2 | 3 | CTC-2350354 | 47.14 |
| | | BKC1-UP; BLN1-UP; BMC1-UP; FDP1-UP; MBH1-UP | | | | | |
| | 1851839 | | P-UB-10 | 1-1/2 | 3 | CTC-2350354 | 47.14 |
| | | FDP18400-UP; MBH1-UP | | | | | |
| | 2265540 | | I-U-10 | 1-1/2 | 3 | CTC-2309357 | 76.03 |
| LOADER LIFT | | | | | | | |
| | 1807490 | | P-UB-10 | 2 | 85 mm | CTC-2410110 | 169.26 |
| | 1832856 | | P-UB-10 | 2 | 85 mm | CTC-2410110 | 169.26 |

REPLACEMENT KITS FOR CATERPILLAR® EQUIPMENT

| Backhoe Loaders | | | | | | | |
|--|-----------|--------------------------------|---------|-------|--------|--------------|--------|
| APPLICATION | CYL # | Misc-Parts, Instructions, etc. | CODE | ROD | BORE | KIT # | |
| MODEL 420D | | | | | | | |
| LOADER LIFT | | | | | | | |
| BKC1-501; FDP1-7198 | | | | | | | |
| 1832856 | | | P-UB-10 | 2 | 85 mm | CTC-2410110 | 169.26 |
| BKC1-UP; FDP7199-18399 | | | | | | | |
| 1964523 | | | P-UB-10 | 2 | 85 mm | CTC-2600273 | 131.34 |
| BLN10300-UP; MBH1-UP | | | | | | | |
| 2283505 | | | P-U-10 | 50 mm | 85 mm | CTC-2432276 | 113.89 |
| 2283505 | | | Bushing | 50 mm | | CTC-2332613 | 19.72 |
| BLN1-4543; BMC1-610 | | | | | | | |
| 1807490 | | | P-UB-10 | 2 | 85 mm | CTC-2410110 | 169.26 |
| BLN1833-4543; BLN4544-10299; BMC1-UP | | | | | | | |
| 1923791 | | | P-UB-10 | 2 | 85 mm | CTC-2600273 | 131.34 |
| FDP18400-UP | | | | | | | |
| 2300980 | | | P-U-10 | 50 mm | 85 mm | CTC-2432276 | 113.89 |
| LOADER TILT | | | | | | | |
| 1807482 | | | P-UB-10 | 2 | 85 mm | CTC-2410110 | 169.26 |
| 1832848 | | | P-UB-10 | 2 | 75 mm | CTC-2410109 | 125.15 |
| BKC1-501; FDP1-7198 | | | | | | | |
| 1807482 | | | P-UB-10 | 2 | 85 mm | CTC-2410110 | 169.26 |
| BKC1-501; FDP3138-7198 | | | | | | | |
| 1924110 | | | P-UB-10 | 2 | 85 mm | CTC-2600273 | 131.34 |
| BKC1-919; FDP7450-UP | | | | | | | |
| 2007128 | | | P-UB-10 | 2 | 4 | CTC-2618625 | 64.19 |
| BKC1-UP; FDP7199-7449 | | | | | | | |
| 2063555 | | | P-UB-10 | 2 | 85 mm | CTC-2600273 | 131.34 |
| BLN1-4543; BMC1-610 | | | | | | | |
| 1832848 | | | P-UB-10 | 2 | 75 mm | CTC-2410109 | 125.15 |
| BLN1833-UP; BMC1-UP; MBH1-UP | | | | | | | |
| 1923884 | | | P-UB-10 | 2 | 75 mm | CTC-1923884K | 94.04 |
| STABILIZER | | | | | | | |
| BKC1-501; BLN1-4543; BMC1-610; FDP1-7198 | | | | | | | |
| 1807484 | | | P-UB-10 | 2-1/8 | 4 | CTC-2857486 | 111.70 |
| 1807485 | | | P-UB-10 | 2-1/8 | 4 | CTC-2857486 | 111.70 |
| BKC1-920; BLN1833-11017; BMC1-1063; FDP7199-20367 | | | | | | | |
| 2060520 | | | P-UB-10 | 2-1/8 | 4 | CTC-2857486 | 111.70 |
| BKC1-920; BLN1833-11017; BMC1-1063; FDP7199-20477 | | | | | | | |
| 2060522 | | | P-UB-10 | 2-1/8 | 4 | CTC-2857486 | 111.70 |
| BKC921-UP; BLN11018-UP; BMC1064-UP; FDP20368-UP; MBH1-UP | | | | | | | |
| 2283499 | | | P-UB-10 | 55 mm | 100 mm | CTC-2332623 | 148.51 |
| BKC921-UP; BLN11018-UP; BMC1064-UP; FDP20478-UP; MBH1-UP | | | | | | | |
| 2283500 | | | P-UB-10 | 55 mm | 100 mm | CTC-2332623 | 148.51 |
| STEERING | | | | | | | |
| 1674235 | ENG 03-UP | | P-UB-10 | 1-3/4 | 2-3/4 | CTC-2350351 | 198.90 |
| 1674235 | ENG 00-02 | | P-UB-10 | 1-3/4 | 2-3/4 | CTC-2350352 | 138.06 |
| SWING | | | | | | | |
| BKC1-501; BLN1-1832; BMC1-610; FDP1-3137 | | | | | | | |
| 1699529 | | | P-UB-10 | 2 | 4 | CTC-3809482 | 99.65 |
| BKC1-920; BLN1833-11084; BMC1-1063; FDP3138-20480 | | | | | | | |
| 1918161 | | | P-UB-10 | 2 | 4 | CTC-2618625 | 64.19 |
| BKC921-UP; BLN11085-UP; BMC1064-UP; FDP20481-UP; MBH1-UP | | | | | | | |
| 2283506 | | | P-UB-10 | 50 mm | 100 mm | CTC-2332622 | 85.34 |
| 2283506 | | | Bushing | 50 mm | | CTC-2332613 | 19.72 |
| MODEL 420E | | | | | | | |
| BACKHOE BOOM | | | | | | | |
| GAN1-UP; HLS1-UP; KMW1-UP; PHC1-UP; PRA1-UP | | | | | | | |
| 2107076 | | | P-UB-10 | 2-3/8 | 4-3/4 | CTC-2959893 | 124.37 |

REPLACEMENT KITS FOR CATERPILLAR® EQUIPMENT

| Backhoe Loaders | | | | | | | |
|---|-------|--------------------------------|---------|-------|--------|--------------|--------|
| APPLICATION | CYL # | Misc-Parts, Instructions, etc. | CODE | ROD | BORE | KIT # | |
| MODEL 420E | | | | | | | |
| BACKHOE BOOM | | | | | | | |
| HLS1-UP; KMW1-UP; PHC1-UP; PRA1-UP | | | | | | | |
| 2689049 | | PTFE piston seal | P-UB-10 | 2-3/8 | 4-3/4 | CTC-3812732 | 137.95 |
| 2689049 | | Nylon piston seal | P-UB-10 | 2-3/8 | 4-3/4 | CTC-3975704 | 142.50 |
| BACKHOE BUCKET | | | | | | | |
| GAN1-UP; HLS1-UP; KMW1-UP; PHC1-UP; PRA1-UP | | | | | | | |
| 2107088 | | | I-UB-10 | 2-1/2 | 3-1/2 | CTC-3387038 | 45.99 |
| HLS1-UP; KMW1-UP; PHC1-UP; PRA1-UP | | | | | | | |
| 2107087 | | | I-UB-10 | 2-1/2 | 3-1/2 | CTC-3975694 | 48.61 |
| BACKHOE EXT STICK | | | | | | | |
| HLS1-UP; KMW1-UP; PHC1-UP; PRA1-UP | | | | | | | |
| 2107097 | | | P-UB-10 | 1-1/2 | 3 | CTC-3387156 | 55.77 |
| 2107098 | | | P-UB-10 | 1-1/2 | 3 | CTC-3387156 | 55.77 |
| BACKHOE STICK | | | | | | | |
| GAN1-UP; HLS1-UP; KMW1-UP; PHC1-UP; PRA1-UP | | | | | | | |
| 2107082 | | | P-UB-10 | 65 mm | 4-3/4 | CTC-3651270 | 259.14 |
| HLS1-UP; KMW1-UP; PHC1-UP; PRA1-UP | | | | | | | |
| 2107081 | | | P-UB-10 | 65 mm | 4-3/4 | CTC-3651270 | 259.14 |
| BACKHOE SWING | | | | | | | |
| GAN1-UP; HLS1-UP; KMW1-UP; PHC1-UP; PRA1-UP | | | | | | | |
| 2781971 | | | P-UB-10 | 50 mm | 100 mm | CTC-2332622 | 85.34 |
| 2781971 | | | Bushing | 50 mm | | CTC-2332613 | 19.72 |
| COUPLER | | | | | | | |
| GAN1-UP; KMW1-UP; PHC1-UP | | | | | | | |
| 1903085 | | | I-U-10 | 1 | 2 | CTC-1809872 | 161.75 |
| GRAPPLE | | | | | | | |
| HLS1-UP; KMW1-UP | | | | | | | |
| 2754243 | | | I-U-10 | 50 mm | 70 mm | CTC-2764172 | 64.44 |
| LOADER BUCKET MP | | | | | | | |
| GAN1-UP; HLS1-UP; KMW1-UP; PHC1-UP; PRA1-UP | | | | | | | |
| 2265540 | | | I-U-10 | 1-1/2 | 3 | CTC-2309357 | 76.03 |
| LOADER LIFT | | | | | | | |
| GAN1-UP; KMW1-UP; PHC1-UP | | | | | | | |
| 2283505 | | | P-U-10 | 50 mm | 85 mm | CTC-2432276 | 113.89 |
| 2283505 | | | Bushing | 50 mm | | CTC-2332613 | 19.72 |
| HLS1-UP; PRA1-UP | | | | | | | |
| 2283509 | | | P-U-10 | 50 mm | 85 mm | CTC-2432276 | 113.89 |
| 2283509 | | | Bushing | 50 mm | | CTC-2332613 | 19.72 |
| LOADER TILT | | | | | | | |
| GAN1-UP; KMW1-UP; PHC1-UP | | | | | | | |
| 1923884 | | | P-UB-10 | 2 | 75 mm | CTC-1923884K | 94.04 |
| HLS1-UP; PRA1-UP | | | | | | | |
| 2007128 | | | P-UB-10 | 2 | 4 | CTC-2618625 | 64.19 |
| STABILIZER | | | | | | | |
| GAN1-UP; HLS1-UP; KMW1-UP; PHC1-UP; PRA1-UP | | | | | | | |
| 2627049 | | | P-UB-10 | 55 mm | 100 mm | CTC-2332623 | 148.51 |
| 2627049 | | | Bushing | 55 mm | | CTC-2332614 | 23.29 |
| 2627050 | | | P-UB-10 | 55 mm | 100 mm | CTC-2332623 | 148.51 |
| 2627050 | | | Bushing | 55 mm | | CTC-2332614 | 23.29 |
| MODEL 420F/420F IT | | | | | | | |
| BACKHOE BOOM | | | | | | | |
| JWJ1-UP; LKH1-UP; LTG1-UP; SKR1-UP | | | | | | | |
| 2107076 | | | P-UB-10 | 2-3/8 | 4-3/4 | CTC-2959893 | 124.37 |
| BACKHOE BUCKET | | | | | | | |
| JWJ1-UP; LKH1-UP; LTG1-UP; SKR1-UP | | | | | | | |
| 2107088 | | | I-UB-10 | 2-1/2 | 3-1/2 | CTC-3387038 | 45.99 |

REPLACEMENT KITS FOR CATERPILLAR® EQUIPMENT

| Backhoe Loaders | | | | | | | |
|---|----------------|--------------------------------|---------|-------|--------|-------------|--------|
| APPLICATION | CYL # | Misc-Parts, Instructions, etc. | CODE | ROD | BORE | KIT # | |
| MODEL 420F/420F IT | | | | | | | |
| BACKHOE STICK | | | | | | | |
| JWJ1-UP; LKH1-UP; LTG1-UP; SKR1-UP | | | | | | | |
| 2107082 | | | P-UB-10 | 65 mm | 4-3/4 | CTC-3651270 | 259.14 |
| 2107098 | | | P-UB-10 | 1-1/2 | 3 | CTC-3387156 | 55.77 |
| BACKHOE SWING LH | | | | | | | |
| JWJ1-UP; LKH1-UP; LTG1-UP; SKR1-UP | | | | | | | |
| 3818054 | | | P-UB-10 | 50 mm | 100 mm | CTC-3779352 | 92.18 |
| 3818054 | | | Bushing | 50 mm | | CTC-2332613 | 19.72 |
| 3818055 | | | P-UB-10 | 50 mm | 100 mm | CTC-3779352 | 92.18 |
| 3818055 | | | Bushing | 50 mm | | CTC-2332613 | 19.72 |
| COUPLER | | | | | | | |
| JWJ1-UP; LKH1-UP | | | | | | | |
| 1783713 | | | I-U-10 | 1 | 2 | CTC-1809872 | 161.75 |
| JWJ1-UP; LKH1-UP; LTG1-UP; SKR1-UP | | | | | | | |
| 3611139 | | | I-U-15 | 3/4 | 1-1/4 | CTC-3611131 | 56.90 |
| LKH1-UP; LTG1-UP; SKR1-UP | | | | | | | |
| 4555975 | | | I-U-15 | 3/4 | 1-1/4 | CTC-3611131 | 56.90 |
| LTG1-UP; SKR1-UP | | | | | | | |
| 1903085 | | | I-U-10 | 1 | 2 | CTC-1809872 | 161.75 |
| 3750724 | | | I-U-10 | 7/8 | 2 | CTC-3675261 | 22.29 |
| LOADER BUCKET MP | | | | | | | |
| JWJ1-UP; LKH1-UP; LTG1-UP; SKR1-UP | | | | | | | |
| 2265540 | | | I-U-10 | 1-1/2 | 3 | CTC-2309357 | 76.03 |
| LOADER LIFT LH | | | | | | | |
| JWJ1-3287; LKH1-515; LTG1-UP; SKR1-UP | | | | | | | |
| 3585034 | | | I-U-10 | 50 mm | 80 mm | CTC-3240356 | 112.03 |
| JWJ3288-UP; LKH516-UP; LTG1-UP; SKR1-UP | | | | | | | |
| 5107944 | | | P-U-10 | 50 mm | 80 mm | CTC-5016702 | 104.94 |
| LOADER LIFT RH | | | | | | | |
| JWJ1-3287; LKH1-515; LTG1-UP; SKR1-UP | | | | | | | |
| 3585035 | | | I-U-10 | 50 mm | 80 mm | CTC-3240356 | 112.03 |
| JWJ3288-UP; LKH516-UP; LTG1-UP; SKR1-UP | | | | | | | |
| 5107945 | | | P-U-10 | 50 mm | 80 mm | CTC-5016702 | 104.94 |
| LOADER TILT | | | | | | | |
| JWJ1-UP; LKH1-UP | | | | | | | |
| 3585045 | Insert Wiper | | I-U-10 | 45 mm | 70 mm | CTC-3240411 | 85.74 |
| 3585045 | Press In Wiper | | P-U-10 | 45 mm | 70 mm | CTC-5212973 | 82.91 |
| 5107947 | | | P-U-10 | 45 mm | 70 mm | CTC-5212973 | 82.91 |
| LTG1-UP; SKR1-UP | | | | | | | |
| 3585044 | | | P-U-10 | 50 mm | 90 mm | CTC-5212972 | 106.39 |
| 5107946 | | | P-U-10 | 50 mm | 90 mm | CTC-5212972 | 106.39 |
| STABILIZER LH | | | | | | | |
| JWJ1-UP; LKH1-UP; LTG1-UP; SKR1-UP | | | | | | | |
| 2912681 | | | P-UB-10 | 55 mm | 100 mm | CTC-3975181 | 112.96 |
| STABILIZER RH | | | | | | | |
| JWJ1-UP; LKH1-UP; LTG1-UP; SKR1-UP | | | | | | | |
| 2912682 | | | P-UB-10 | 55 mm | 100 mm | CTC-3975181 | 112.96 |
| STEERING | | | | | | | |
| JWJ1-UP; LKH1-UP; LTG1-UP; SKR1-UP | | | | | | | |
| 2145097 | | | I-U-10 | 36 mm | 65 mm | CTC-2152023 | 146.53 |
| THUMB | | | | | | | |
| LKH1-UP; LTG1-UP; SKR1-UP | | | | | | | |
| 2754243 | | | I-U-10 | 50 mm | 70 mm | CTC-2764172 | 64.44 |

REPLACEMENT KITS FOR CATERPILLAR® EQUIPMENT

| Backhoe Loaders | | | | | | | |
|---|----------------|--------------------------------|---------|-------|--------|-------------|--------|
| APPLICATION | CYL # | Misc-Parts, Instructions, etc. | CODE | ROD | BORE | KIT # | |
| MODEL 420F2/420F2 IT | | | | | | | |
| BACKHOE BOOM | | | | | | | |
| HWC1-UP; HWD1-UP; LBS1-UP; LYB1-UP; LYC1-UP | | | | | | | |
| 2107076 | | | P-UB-10 | 2-3/8 | 4-3/4 | CTC-2959893 | 124.37 |
| BACKHOE BUCKET | | | | | | | |
| HWC1-UP; HWD1-UP; LBS1-UP; LYB1-UP; LYC1-UP | | | | | | | |
| 5107951 | | | P-U-10 | 60 mm | 90 mm | CTC-5212974 | 113.69 |
| HWC1-UP; HWD1-UP; LYB1-UP; LYC1-UP | | | | | | | |
| 4495429 | | | P-U-10 | 60 mm | 90 mm | CTC-5212974 | 113.69 |
| BACKHOE STICK | | | | | | | |
| HWC1-UP; HWD1-UP; LBS1-UP; LYB1-UP; LYC1-UP | | | | | | | |
| 2107082 | | | P-UB-10 | 65 mm | 4-3/4 | CTC-3651270 | 259.14 |
| 2107098 | | | P-UB-10 | 1-1/2 | 3 | CTC-3387156 | 55.77 |
| BACKHOE SWING | | | | | | | |
| HWC1-UP; HWD1-UP; LBS1-UP; LYB1-UP; LYC1-UP | | | | | | | |
| 3818054 | | | P-UB-10 | 50 mm | 100 mm | CTC-3779352 | 92.18 |
| 3818054 | | | Bushing | 50 mm | | CTC-2332613 | 19.72 |
| 3818055 | | | P-UB-10 | 50 mm | 100 mm | CTC-3779352 | 92.18 |
| 3818055 | | | Bushing | 50 mm | | CTC-2332613 | 19.72 |
| BLADE | | | | | | | |
| HWD1-UP; LYC1-UP | | | | | | | |
| 4893934 | | | I-U-10 | 1-3/4 | 3 | CTC-4827624 | 125.15 |
| COUPLER | | | | | | | |
| HWC1-UP; HWD1-UP; LYB1-UP; LYC1-UP | | | | | | | |
| 3611139 | | | I-U-15 | 3/4 | 1-1/4 | CTC-3611131 | 56.90 |
| 4555975 | | | I-U-15 | 3/4 | 1-1/4 | CTC-3611131 | 56.90 |
| HWD1-UP; LYC1-UP | | | | | | | |
| 1783713 | | | I-U-10 | 1 | 2 | CTC-1809872 | 161.75 |
| LOADER BUCKET MP | | | | | | | |
| HWC1-UP; HWD1-UP; LBS1-UP; LYB1-UP; LYC1-UP | | | | | | | |
| 2265540 | | | I-U-10 | 1-1/2 | 3 | CTC-2309357 | 76.03 |
| LOADER LIFT LH | | | | | | | |
| HWC1-2181; HWD1-1711; LBS1-UP; LYB1-UP; LYC1-446 | | | | | | | |
| 3585034 | | | I-U-10 | 50 mm | 80 mm | CTC-3240356 | 112.03 |
| HWC2182-UP; HWD1712-UP; LBS1-UP; LYB1-UP; LYC447-UP | | | | | | | |
| 5107944 | | | P-U-10 | 50 mm | 80 mm | CTC-5016702 | 104.94 |
| LOADER LIFT RH | | | | | | | |
| HWC1-2181; HWD1-1711; LBS1-UP; LYB1-UP; LYC1-446 | | | | | | | |
| 3585035 | | | I-U-10 | 50 mm | 80 mm | CTC-3240356 | 112.03 |
| HWC2182-UP; HWD1712-UP; LBS1-UP; LYB1-UP; LYC447-UP | | | | | | | |
| 5107945 | | | P-U-10 | 50 mm | 80 mm | CTC-5016702 | 104.94 |
| LOADER TILT | | | | | | | |
| HWC1-2181; LYB1-UP | | | | | | | |
| 3585044 | | | P-U-10 | 50 mm | 90 mm | CTC-5212972 | 106.39 |
| HWC2182-UP; LBS1-UP; LYB1-UP | | | | | | | |
| 5107946 | | | P-U-10 | 50 mm | 90 mm | CTC-5212972 | 106.39 |
| HWD1-UP; LYC1-UP | | | | | | | |
| 3585045 | Insert Wiper | | I-U-10 | 45 mm | 70 mm | CTC-3240411 | 85.74 |
| 3585045 | Press In Wiper | | P-U-10 | 45 mm | 70 mm | CTC-5212973 | 82.91 |
| 5107947 | | | P-U-10 | 45 mm | 70 mm | CTC-5212973 | 82.91 |
| LBS1-UP | | | | | | | |
| 3585044 | | | I-U-10 | 50 mm | 90 mm | CTC-3556294 | 110.87 |
| STABILIZER LH | | | | | | | |
| HWC1-UP; HWD1-UP; LYB1-UP; LYC1-UP | | | | | | | |
| 2912681 | | | P-UB-10 | 55 mm | 100 mm | CTC-3975181 | 112.96 |
| 2912681 | | | Bushing | 55 mm | | CTC-2332614 | 23.29 |

REPLACEMENT KITS FOR CATERPILLAR® EQUIPMENT

| Backhoe Loaders | | | | | | | |
|---|---------|--------------------------------|---------|-------|--------|-------------|--------|
| APPLICATION | CYL # | Misc-Parts, Instructions, etc. | CODE | ROD | BORE | KIT # | |
| MODEL 420F2/420F2 IT | | | | | | | |
| STABILIZER LH | | | | | | | |
| LBS1-UP | | | | | | | |
| | 2627049 | | P-UB-10 | 55 mm | 100 mm | CTC-2332623 | 148.51 |
| | 2627049 | | Bushing | 55 mm | | CTC-2332614 | 23.29 |
| STABILIZER RH | | | | | | | |
| HWC1-UP; HWD1-UP; LYB1-UP; LYC1-UP | | | | | | | |
| | 2912682 | | P-UB-10 | 55 mm | 100 mm | CTC-3975181 | 112.96 |
| | 2912682 | | Bushing | 55 mm | | CTC-2332614 | 23.29 |
| LBS1-UP | | | | | | | |
| | 2627050 | | P-UB-10 | 55 mm | 100 mm | CTC-2332623 | 148.51 |
| | 2627050 | | Bushing | 55 mm | | CTC-2332614 | 23.29 |
| STEERING | | | | | | | |
| HWC1-UP; HWD1-UP; LBS1-UP; LYB1-UP; LYC1-UP | | | | | | | |
| | 2145097 | | I-U-10 | 36 mm | 65 mm | CTC-2152023 | 146.53 |
| LBS1-UP | | | | | | | |
| | 4826752 | | I-U-10 | 40 mm | 65 mm | CTC-4907482 | 166.16 |
| THUMB | | | | | | | |
| HWC1-UP; HWD1-UP; LBS1-UP; LYB1-UP; LYC1-UP | | | | | | | |
| | 2754243 | | I-U-10 | 50 mm | 70 mm | CTC-2764172 | 64.44 |
| MODEL 422E | | | | | | | |
| BACKHOE BOOM | | | | | | | |
| DSK1-; HBE1- | | | | | | | |
| | | | P-UB-10 | 2-1/4 | 4-1/2 | CTC-2959891 | 87.02 |
| BACKHOE BUCKET | | | | | | | |
| DSK1-; HBE1- | | | | | | | |
| | | | I-UB-10 | 2-3/8 | 85 mm | CTC-3651283 | 95.29 |
| BACKHOE EXT STICK | | | | | | | |
| DSK1-; HBE1- | | | | | | | |
| | | | P-UB-10 | 1-1/2 | 3 | CTC-3387156 | 55.77 |
| BACKHOE STABILIZER | | | | | | | |
| DSK1-; HBE1- | | | | | | | |
| | | | P-UB-10 | 1-3/4 | 2-3/4 | CTC-2342595 | 190.69 |
| BACKHOE STICK | | | | | | | |
| DSK1-; HBE1- | | | | | | | |
| | | | P-UB-10 | 2-1/4 | 4-1/4 | CTC-3809470 | 77.13 |
| LOADER BUCKET MP | | | | | | | |
| DSK1-; MAW1- | | | | | | | |
| | | | I-U-10 | 1-1/2 | 3 | CTC-2309357 | 76.03 |
| HBE1- | | | | | | | |
| | | | P-UB-10 | 1-1/2 | 3 | CTC-2350354 | 47.14 |
| LOADER LIFT | | | | | | | |
| DSK1-; HBE1-; MAW1- | | | | | | | |
| | | | P-UB-10 | 1-7/8 | 3-1/4 | CTC-2342593 | 87.07 |
| LOADER TILT | | | | | | | |
| DSK1-; HBE1-; MAW1- | | | | | | | |
| | | | P-UB-10 | 1-7/8 | 3-1/4 | CTC-2342593 | 87.07 |
| MODEL 422F | | | | | | | |
| LOADER BUCKET MP | | | | | | | |
| LRH1- | | | | | | | |
| | | | I-U-10 | 1-1/2 | 3 | CTC-2309357 | 76.03 |
| MODEL 424D | | | | | | | |
| BACKHOE BOOM | | | | | | | |
| BGP1-396; BKR1-418 | | | | | | | |
| | | | P-UB-10 | 2-3/8 | 4-1/2 | CTC-2418924 | 104.24 |
| BGP1-647; BKR1-528 | | | | | | | |
| | 1917753 | | P-UB-10 | 2-3/8 | 4-1/2 | CTC-2616885 | 112.59 |

REPLACEMENT KITS FOR CATERPILLAR® EQUIPMENT

| Backhoe Loaders | | | | | | | |
|-----------------------------|-------|--|---------|-------|-------|--------------|--------|
| APPLICATION | CYL # | Misc-Parts, Instructions, etc. | CODE | ROD | BORE | KIT # | |
| MODEL 424D | | | | | | | |
| BACKHOE BOOM | | | | | | | |
| | | BGP397-1612; BKR419-562; CJZ1-; RXA1- 2063628 | P-UB-10 | 2-3/8 | 4-1/2 | CTC-2350972 | 87.41 |
| BACKHOE BUCKET | | | | | | | |
| | | BGP1-1612; BKR1-562; CJZ1-UP; RXA1-UP | I-UB-10 | 2-1/2 | 3-1/2 | CTC-2235945 | 90.88 |
| BACKHOE EXT STICK | | | | | | | |
| | | BGP1-396; BKR1-418 | P-UB-10 | 1-1/2 | 3 | CTC-2350354 | 47.14 |
| | | BGP397-1612; BKR419-562; CJZ1-; RXA1- | P-UB-10 | 1-1/2 | 3 | CTC-1917725K | 56.90 |
| BACKHOE STABILIZER | | | | | | | |
| | | BGP1-1612; BKR1-562; CJZ1-UP; RXA1-UP | P-UB-10 | 1-3/4 | 2-3/4 | CTC-2342595 | 190.69 |
| BACKHOE STICK | | | | | | | |
| | | BGP1-1612; BKR1-562 1734015 | P-UB-10 | 2-1/2 | 4-1/2 | CTC-2435805 | 100.86 |
| | | BGP397-1612; BKR419-562; CJZ1-; RXA1- 2060509 | P-UB-10 | 2-1/2 | 4-1/2 | CTC-2297194 | 75.66 |
| | | 2359831 | P-UB-10 | 2-1/2 | 4-1/2 | CTC-2297194 | 75.66 |
| BACKHOE SWING | | | | | | | |
| | | BGP1-1612; BKR1-562; CJZ1-277; RXA1-705 | P-UB-10 | 2 | 4 | CTC-2409538 | 94.69 |
| LOADER BUCKET MP | | | | | | | |
| | | BGP1-1612; BKR1-1612; BKR1-562; CJZ1-; RXA1- | P-UB-10 | 1-1/2 | 3 | CTC-2350354 | 47.14 |
| LOADER LIFT | | | | | | | |
| | | BGP1-396; BKR1-418 | P-UB-10 | 1-7/8 | 3-1/4 | CTC-2465926 | 60.62 |
| | | BGP397-1612; BKR419-562; CJZ1-; RXA1- | P-UB-10 | 1-7/8 | 3-1/4 | CTC-2342593 | 87.07 |
| LOADER TILT | | | | | | | |
| | | BGP1-396; BKR1-418 | P-UB-10 | 1-7/8 | 3-1/4 | CTC-2465926 | 60.62 |
| | | BGP397-1612; BKR419-562; CJZ1-; RXA1- | P-UB-10 | 1-7/8 | 3-1/4 | CTC-2342593 | 87.07 |
| STEERING | | | | | | | |
| | | BGP1-1612; BKR1-1612 | I-U-10 | 36 mm | 65 mm | CTC-1787189 | 302.43 |
| | | | P-UB-10 | 1-3/4 | 2-3/4 | CTC-2350351 | 198.90 |
| MODEL 426B | | | | | | | |
| BACKHOE BACKHOE BOOM | | | | | | | |
| | | 6E1948 | P-UB-10 | 2-1/2 | 5 | CTC-1361967 | 251.91 |
| BACKHOE BUCKET | | | | | | | |
| | | 1268316 | I-UB-10 | 2-3/4 | 3-3/4 | CTC-9X2020 | 149.28 |
| | | 6E1809 | I-UB-10 | 2-3/4 | 3-3/4 | CTC-9X2020 | 149.28 |
| BACKHOE EXT BUCKET | | | | | | | |
| | | 6E3692 | I-UB-10 | 2-3/4 | 3-3/4 | CTC-9X2020 | 149.28 |
| BACKHOE STICK | | | | | | | |
| | | 6E1935 | P-UB-10 | 2-3/4 | 5 | CTC-3E8878 | 249.78 |
| | | 6E3662 | P-UB-10 | 1-1/2 | 3 | CTC-7X2737 | 148.96 |
| BACKHOE SWING | | | | | | | |
| | | 1166861 | P-UB-10 | 2 | 4 | CTC-1113302 | 163.17 |
| | | 6E0288 | P-UB-10 | 2 | 4 | CTC-1113302 | 163.17 |
| | | 6E1864 | P-UB-10 | 2 | 4 | CTC-1328816 | 127.22 |

REPLACEMENT KITS FOR CATERPILLAR® EQUIPMENT

| Backhoe Loaders | | | | | | | |
|--------------------------------|---------|--------------------------------|---------|-------|-------|-------------|--------|
| APPLICATION | CYL # | Misc-Parts, Instructions, etc. | CODE | ROD | BORE | KIT # | |
| MODEL 426B | | | | | | | |
| LOADER BUCKET MP | | | | | | | |
| | 9T4006 | | P-UB-10 | 1-1/2 | 3 | CTC-7X2737 | 148.96 |
| LOADER LIFT | | | | | | | |
| | 6E0103 | | P-UB-10 | 1-7/8 | 3-1/4 | CTC-3E3297 | 135.19 |
| | 9T0415 | | P-UB-10 | 1-7/8 | 3-1/4 | CTC-3E3297 | 135.19 |
| LOADER TILT | | | | | | | |
| | 1071855 | | P-UB-10 | 2 | 3-1/2 | CTC-7X2783 | 141.24 |
| | 6E0113 | | P-UB-10 | 2 | 3-1/2 | CTC-7X2783 | 141.24 |
| STABILIZER | | | | | | | |
| | 1052323 | | P-UB-10 | 2-1/8 | 4 | CTC-1305923 | 187.39 |
| | 1052358 | | P-UB-10 | 2-1/8 | 4 | CTC-1305923 | 187.39 |
| STABILIZER LH | | | | | | | |
| | 1165354 | | P-UB-10 | 2-1/8 | 4 | CTC-1305923 | 187.39 |
| | 1302364 | | P-UB-10 | 2-1/8 | 4 | CTC-1305923 | 187.39 |
| | 6E0098 | | P-UB-10 | 2-1/8 | 4 | CTC-1305923 | 187.39 |
| STABILIZER RH | | | | | | | |
| | 1165353 | | P-UB-10 | 2-1/8 | 4 | CTC-1305923 | 187.39 |
| | 1302365 | | P-UB-10 | 2-1/8 | 4 | CTC-1305923 | 187.39 |
| | 6E0099 | | P-UB-10 | 2-1/8 | 4 | CTC-1305923 | 187.39 |
| STEERING | | | | | | | |
| | 6E5190 | | P-UB-10 | 1-7/8 | 3 | CTC-1113301 | 179.68 |
| UNSPECIFIED APPLICATION | | | | | | | |
| | 1070624 | | P-UB-10 | 1-7/8 | 3-1/4 | CTC-3E3297 | 135.19 |
| MODEL 426C | | | | | | | |
| BACKHOE BOOM | | | | | | | |
| | 6E1948 | | P-UB-10 | 2-1/2 | 5 | CTC-1361967 | 251.91 |
| BACKHOE BUCKET | | | | | | | |
| | 1268316 | | I-UB-10 | 2-3/4 | 3-3/4 | CTC-9X2020 | 149.28 |
| BACKHOE EXT BUCKET | | | | | | | |
| | 6E3692 | | I-UB-10 | 2-3/4 | 3-3/4 | CTC-9X2020 | 149.28 |
| BACKHOE STICK | | | | | | | |
| | 1535735 | | P-UB-10 | 1-1/2 | 3 | CTC-7X2737 | 148.96 |
| | 6E1935 | | P-UB-10 | 2-3/4 | 5 | CTC-3E8878 | 249.78 |
| | 6E3662 | | P-UB-10 | 1-1/2 | 3 | CTC-7X2737 | 148.96 |
| BACKHOE SWING | | | | | | | |
| | 1166861 | | P-UB-10 | 2 | 4 | CTC-1113302 | 163.17 |
| LOADER BUCKET MP | | | | | | | |
| | 9T4006 | | P-UB-10 | 1-1/2 | 3 | CTC-7X2737 | 148.96 |
| LOADER LIFT | | | | | | | |
| | 1108688 | | P-UB-10 | 2 | 3-1/2 | CTC-7X2783 | 141.24 |
| | 1216764 | | P-UB-10 | 2 | 3-1/2 | CTC-7X2783 | 141.24 |
| LOADER TILT | | | | | | | |
| | 1071855 | | P-UB-10 | 2 | 3-1/2 | CTC-7X2783 | 141.24 |
| STABILIZER LH | | | | | | | |
| | 1311846 | | P-UB-10 | 2-1/8 | 4 | CTC-1305923 | 187.39 |
| | 1521806 | | P-UB-10 | 2-1/8 | 4 | CTC-1305923 | 187.39 |
| STABILIZER RH | | | | | | | |
| | 1311847 | | P-UB-10 | 2-1/8 | 4 | CTC-1305923 | 187.39 |
| | 1521796 | | P-UB-10 | 2-1/8 | 4 | CTC-1305923 | 187.39 |
| STEERING | | | | | | | |
| | 1156437 | | P-UB-10 | 1-3/4 | 2-1/2 | CTC-1539054 | 155.22 |
| UNSPECIFIED APPLICATION | | | | | | | |
| | 1235087 | | P-UB-10 | 2 | 3-1/2 | CTC-7X2783 | 141.24 |
| | 1235091 | | P-UB-10 | 2 | 3 | CTC-7X2760 | 96.66 |
| | 9T8823 | | I-U-3 | 1 | 2 | CTC-9T0418 | 125.53 |

CATERPILLAR®

REPLACEMENT KITS FOR CATERPILLAR® EQUIPMENT

| Backhoe Loaders | | | | | | | |
|--------------------------------|---------|--------------------------------|---------|-------|-------|-------------|--------|
| APPLICATION | CYL # | Misc-Parts, Instructions, etc. | CODE | ROD | BORE | KIT # | |
| MODEL 428B | | | | | | | |
| BACKHOE BOOM | | | | | | | |
| | 6E0274 | | P-UB-10 | 2-3/8 | 4-1/2 | CTC-3E8877 | 214.74 |
| BACKHOE BUCKET | | | | | | | |
| | 1268308 | | I-UB-10 | 2-1/2 | 3-1/2 | CTC-3E3299 | 183.90 |
| | 6E0275 | | I-UB-10 | 2-1/2 | 3-1/2 | CTC-3E3299 | 183.90 |
| BACKHOE EXT BUCKET | | | | | | | |
| | 6E1964 | | I-UB-10 | 2-1/2 | 3-1/2 | CTC-3E3299 | 183.90 |
| | 6E2421 | | I-UB-10 | 2-3/4 | 3-3/4 | CTC-9X2020 | 149.28 |
| BACKHOE STICK | | | | | | | |
| | 1097021 | | P-UB-10 | 2-1/2 | 4-1/2 | CTC-1113300 | 187.32 |
| | 6E0290 | Rod Bearing width- 0.98" | P-UB-10 | 2-1/2 | 4-1/2 | CTC-1113300 | 187.32 |
| | 6E0290 | Rod Bearing width- 1.25" | P-UB-10 | 2-1/2 | 4-1/2 | CTC-1469860 | 209.92 |
| | 6E0404 | | P-UB-10 | 1-1/2 | 3 | CTC-7X2737 | 148.96 |
| BACKHOE SWING | | | | | | | |
| | 1166861 | | P-UB-10 | 2 | 4 | CTC-1113302 | 163.17 |
| | 6E0288 | | P-UB-10 | 2 | 4 | CTC-1113302 | 163.17 |
| BACKHOE SWING LH | | | | | | | |
| | 1166858 | | P-UB-10 | 2 | 4 | CTC-1113302 | 163.17 |
| | 6E1864 | | P-UB-10 | 2 | 4 | CTC-1113302 | 163.17 |
| LOADER BUCKET MP | | | | | | | |
| | 9T4006 | | P-UB-10 | 1-1/2 | 3 | CTC-7X2737 | 148.96 |
| LOADER LIFT | | | | | | | |
| | 6E0103 | | P-UB-10 | 1-7/8 | 3-1/4 | CTC-3E3297 | 135.19 |
| | 9T0415 | | P-UB-10 | 1-7/8 | 3-1/4 | CTC-3E3297 | 135.19 |
| LOADER TILT | | | | | | | |
| | 1071855 | | P-UB-10 | 2 | 3-1/2 | CTC-7X2783 | 141.24 |
| | 6E0113 | | P-UB-10 | 2 | 3-1/2 | CTC-7X2783 | 141.24 |
| SIDESHIFT | | | | | | | |
| | 1166858 | | P-UB-10 | 2 | 4 | CTC-1113302 | 163.17 |
| SIDESHIFT RH | | | | | | | |
| | 1166858 | | P-UB-10 | 2 | 4 | CTC-1113302 | 163.17 |
| STABILIZER | | | | | | | |
| | 1266950 | | P-UB-10 | 1-3/4 | 2-3/4 | CTC-1539053 | 190.69 |
| | 6E3483 | | P-UB-10 | 1-3/4 | 2-3/4 | CTC-1539053 | 190.69 |
| STEERING | | | | | | | |
| | 6E5190 | | P-UB-10 | 1-7/8 | 3 | CTC-1113301 | 179.68 |
| UNSPECIFIED APPLICATION | | | | | | | |
| | 1070624 | | P-UB-10 | 1-7/8 | 3-1/4 | CTC-3E3297 | 135.19 |
| MODEL 428C | | | | | | | |
| BACKHOE BOOM | | | | | | | |
| | 6E0274 | | P-UB-10 | 2-3/8 | 4-1/2 | CTC-3E8877 | 214.74 |
| BACKHOE BUCKET | | | | | | | |
| | 1268308 | | I-UB-10 | 2-1/2 | 3-1/2 | CTC-3E3299 | 183.90 |
| | 1268312 | | I-UB-10 | 2-3/4 | 3-3/4 | CTC-1361990 | 225.67 |
| | 6E0275 | | I-UB-10 | 2-1/2 | 3-1/2 | CTC-3E3299 | 183.90 |
| BACKHOE EXT BUCKET | | | | | | | |
| | 6E1964 | | I-UB-10 | 2-1/2 | 3-1/2 | CTC-3E3299 | 183.90 |
| BACKHOE STICK | | | | | | | |
| | 1097021 | | P-UB-10 | 2-1/2 | 4-1/2 | CTC-1113300 | 187.32 |
| | 6E0404 | | P-UB-10 | 1-1/2 | 3 | CTC-7X2737 | 148.96 |
| BACKHOE SWING | | | | | | | |
| | 1166861 | | P-UB-10 | 2 | 4 | CTC-1113302 | 163.17 |
| LOADER BUCKET MP | | | | | | | |
| | 9T4006 | | P-UB-10 | 1-1/2 | 3 | CTC-7X2737 | 148.96 |
| LOADER TILT | | | | | | | |
| | 1071855 | | P-UB-10 | 2 | 3-1/2 | CTC-7X2783 | 141.24 |

REPLACEMENT KITS FOR CATERPILLAR® EQUIPMENT

| Backhoe Loaders | | | | | | | |
|--------------------------------|--|--------------------------------|---------|-------|-------|-------------|--------|
| APPLICATION | CYL. # | Misc-Parts, Instructions, etc. | CODE | ROD | BORE | KIT # | |
| MODEL 428C | | | | | | | |
| SIDESHIFT | | | | | | | |
| | 1166858 | | P-UB-10 | 2 | 4 | CTC-1113302 | 163.17 |
| SIDESHIFT RH | | | | | | | |
| | 1166858 | | P-UB-10 | 2 | 4 | CTC-1113302 | 163.17 |
| STABILIZER | | | | | | | |
| | 1266950 | | P-UB-10 | 1-3/4 | 2-3/4 | CTC-1539053 | 190.69 |
| STEERING | | | | | | | |
| | 1156437 | | P-UB-10 | 1-3/4 | 2-1/2 | CTC-1539054 | 155.22 |
| UNSPECIFIED APPLICATION | | | | | | | |
| | 1070624 | | P-UB-10 | 1-7/8 | 3-1/4 | CTC-3E3297 | 135.19 |
| | 1235087 | | P-UB-10 | 2 | 3-1/2 | CTC-7X2783 | 141.24 |
| | 1235091 | | P-UB-10 | 2 | 3 | CTC-7X2760 | 96.66 |
| | 9T8823 | | I-U-3 | 1 | 2 | CTC-9T0418 | 125.53 |
| MODEL 428D | | | | | | | |
| BACKHOE BOOM | | | | | | | |
| | BLL1-712; BMT1-3227; BNB1-UP; BNS1-1851; BXC1-UP; DSX1-UP; MBM1-UP | | | | | | |
| | | | P-UB-10 | 2-3/8 | 4-3/4 | CTC-2350973 | 137.14 |
| BACKHOE BUCKET | | | | | | | |
| | BLL1-712; BMT1-3227; BNB1-UP; BNS1-1851; BXC1-UP; DSX1-UP; MBM1-UP | | | | | | |
| | 1804239 | | I-UB-10 | 2-1/2 | 3-1/2 | CTC-2235945 | 90.88 |
| BACKHOE EXT STICK | | | | | | | |
| | BLL1-536; BMT1-1144; BNB1-414; BNS1-897 | | | | | | |
| | 1647174 | | P-UB-10 | 1-1/2 | 3 | CTC-2350354 | 47.14 |
| BACKHOE STABILIZER | | | | | | | |
| | BLL1-712; BMT1-3227; BNB1-UP; BNS1-1851; BXC1-UP; DSX1-UP; MBM1-UP | | | | | | |
| | 1734565 | | P-UB-10 | 1-3/4 | 2-3/4 | CTC-2342595 | 190.69 |
| BACKHOE STICK | | | | | | | |
| | BLL1-650; BMT1-1262; BNB1-699; BNS1-976 | | | | | | |
| | 1734015 | | P-UB-10 | 2-1/2 | 4-1/2 | CTC-2435805 | 100.86 |
| | BLL537-UP; BMT1145-UP; BNB1-UP; BNS898-UP; BXC1-UP; DSX1-UP; MBM1-UP | | | | | | |
| | 2060509 | | P-UB-10 | 2-1/2 | 4-1/2 | CTC-2297194 | 75.66 |
| | 2359831 | | P-UB-10 | 2-1/2 | 4-1/2 | CTC-2297194 | 75.66 |
| BACKHOE SWING | | | | | | | |
| | BLL1-536; BMT1-1144; BNB1-UP; BNS1-897 | | | | | | |
| | 1699529 | | P-UB-10 | 2 | 4 | CTC-2409538 | 94.69 |
| | 1699530 | | P-UB-10 | 2 | 4 | CTC-2409538 | 94.69 |
| | BLL537-650; BMT1145-UP; BNB1-UP; BNS898-UP; BXC1-729; DSX1-449; MBM1-247 | | | | | | |
| | 1917735 | | P-UB-10 | 2 | 4 | CTC-2618625 | 64.19 |
| | 1918161 | | P-UB-10 | 2 | 4 | CTC-2618625 | 64.19 |
| LOADER BUCKET MP | | | | | | | |
| | BLL1-UP; BMT1-UP; BNB1-UP; BNS1-UP; BXC1-UP; DSX1-UP; MBM1-UP | | | | | | |
| | | | P-UB-10 | 1-1/2 | 3 | CTC-2350354 | 47.14 |
| LOADER LIFT | | | | | | | |
| | BLL1-650; BMT1-1262; BNB1-699; BNS1-976 | | | | | | |
| | 1807490 | | P-UB-10 | 2 | 85 mm | CTC-2410110 | 169.26 |
| | 1832856 | | P-UB-10 | 2 | 85 mm | CTC-2410110 | 169.26 |
| | BLL537-UP; BMT1145-UP; BNB1-UP; BNS898-UP; BXC1-UP; DSX1-UP; MBM1-UP | | | | | | |
| | 1923791 | | P-UB-10 | 2 | 85 mm | CTC-2600273 | 131.34 |
| | 1964523 | | P-UB-10 | 2 | 85 mm | CTC-2600273 | 131.34 |
| LOADER TILT | | | | | | | |
| | BLL1-536; BLL546-650; BNB1-UP | | | | | | |
| | 1807482 | | P-UB-10 | 2 | 85 mm | CTC-2410110 | 169.26 |
| | BLL537-UP; BNB1-UP; MBM1-UP | | | | | | |
| | 1924110 | | P-UB-10 | 2 | 85 mm | CTC-2600273 | 131.34 |
| | 2063555 | | P-UB-10 | 2 | 85 mm | CTC-2600273 | 131.34 |

CATERPILLAR®

REPLACEMENT KITS FOR CATERPILLAR® EQUIPMENT

| Backhoe Loaders | | | | | | | |
|---------------------------|---------|---|---------|-------|-------|-------------|--------|
| APPLICATION | CYL # | Misc-Parts, Instructions, etc. | CODE | ROD | BORE | KIT # | |
| MODEL 428D | | | | | | | |
| LOADER TILT | | | | | | | |
| | | BMT1-1144; BMT1618-UP; BNS1-UP | | | | | |
| | 1832848 | | P-UB-10 | 2 | 75 mm | CTC-2410109 | 125.15 |
| | | BMT1145-UP; BNS898-UP; BXC1-UP; DSX1-UP | | | | | |
| | 1923884 | | P-UB-10 | 2 | 75 mm | CTC-2617175 | 109.80 |
| STEERING | | | | | | | |
| | | BLL1-UP; BMT1-UP; BNB1-UP; BNS1-UP | | | | | |
| | 1787190 | | I-U-10 | 36 mm | 65 mm | CTC-1787189 | 302.43 |
| MODEL 428E | | | | | | | |
| BACKHOE BOOM | | | | | | | |
| | | DXC1-UP; SNL1-UP | | | | | |
| | | | P-UB-10 | 2-1/4 | 4-1/2 | CTC-2959891 | 87.02 |
| BACKHOE BUCKET | | | | | | | |
| | | DXC1-UP; SNL1-UP | | | | | |
| | | | I-UB-10 | 2-3/8 | 85 mm | CTC-3651283 | 95.29 |
| BACKHOE EXT STICK | | | | | | | |
| | | DXC1-UP; SNL1-UP | | | | | |
| | | | P-UB-10 | 1-1/2 | 3 | CTC-3387156 | 55.77 |
| | | | P-UB-10 | 2-1/4 | 4-1/4 | CTC-3809470 | 77.13 |
| BACKHOE STABILIZER | | | | | | | |
| | | DXC1-UP; SNL1-UP | | | | | |
| | | | P-UB-10 | 1-3/4 | 2-3/4 | CTC-2342595 | 190.69 |
| BACKHOE STICK | | | | | | | |
| | | DXC1-UP; SNL1-UP | | | | | |
| | | | P-UB-10 | 2-1/4 | 4-1/4 | CTC-3809470 | 77.13 |
| LOADER BUCKET MP | | | | | | | |
| | | DPH1-UP; DXC1-UP | | | | | |
| | | | I-U-10 | 1-1/2 | 3 | CTC-2309357 | 76.03 |
| | | SNL1-UP | | | | | |
| | | | P-UB-10 | 1-1/2 | 3 | CTC-2350354 | 47.14 |
| LOADER LIFT | | | | | | | |
| | | DXC1-UP; SNL1-UP | | | | | |
| | | | P-UB-10 | 2 | 85 mm | CTC-2600273 | 131.34 |
| LOADER TILT | | | | | | | |
| | | DXC1-UP; SNL1-UP | | | | | |
| | | | P-UB-10 | 2 | 75 mm | CTC-2617175 | 109.80 |
| MODEL 428F | | | | | | | |
| LOADER BUCKET MP | | | | | | | |
| | | LBH1-UP; SJW1-UP | | | | | |
| | | | I-U-10 | 1-1/2 | 3 | CTC-2309357 | 76.03 |
| MODEL 430D | | | | | | | |
| BACKHOE BOOM | | | | | | | |
| | | BML1-UP; BNK1-UP | | | | | |
| | 1832849 | | P-UB-10 | 2-3/4 | 5-3/8 | CTC-2440974 | 154.84 |
| | | BML1-UP; BNK2502-UP | | | | | |
| | 2058655 | | P-UB-10 | 2-3/4 | 5-3/8 | CTC-2440974 | 154.84 |
| BACKHOE BUCKET | | | | | | | |
| | | BML1-2280; BNK1-2501 | | | | | |
| | 1668140 | Nylon piston seal | I-UB-10 | 2-3/4 | 3-3/4 | CTC-1939270 | 139.64 |
| | 1668140 | PTFE piston seal | I-UB-10 | 2-3/4 | 3-3/4 | CTC-2235944 | 108.68 |
| | 1668141 | Nylon piston seal | I-UB-10 | 2-3/4 | 3-3/4 | CTC-1939270 | 139.64 |
| | 1668141 | PTFE piston seal | I-UB-10 | 2-3/4 | 3-3/4 | CTC-2235944 | 108.68 |
| | | BML1-UP; BNK1-UP | | | | | |
| | 1917835 | | I-UB-10 | 2-3/4 | 3-3/4 | CTC-2315021 | 101.67 |
| | 1917839 | | I-UB-10 | 2-3/4 | 3-3/4 | CTC-2315021 | 101.67 |

REPLACEMENT KITS FOR CATERPILLAR® EQUIPMENT

| Backhoe Loaders | | | | | | | |
|---------------------------|-------------------|--------------------------------|---------|-------|--------|--------------|--------|
| APPLICATION | CYL # | Misc-Parts, Instructions, etc. | CODE | ROD | BORE | KIT # | |
| MODEL 430D | | | | | | | |
| BACKHOE EXT STICK | | | | | | | |
| BML1-2280; BNK1-2501 | | | | | | | |
| 1535735 | | | P-UB-10 | 1-1/2 | 3 | CTC-2350354 | 47.14 |
| BML2281-UP; BNK2502-UP | | | | | | | |
| 1917721 | | | P-UB-10 | 1-1/2 | 3 | CTC-4488804 | 56.90 |
| BACKHOE STABILIZER | | | | | | | |
| BML1-5012; BNK1-6261 | | | | | | | |
| 1807484 | | | P-UB-10 | 2-1/8 | 4 | CTC-2857486 | 111.70 |
| 1807485 | | | P-UB-10 | 2-1/8 | 4 | CTC-2857486 | 111.70 |
| BACKHOE STICK | | | | | | | |
| BML1-UP; BNK1-UP | | | | | | | |
| 1832850 | | | P-UB-10 | 65 mm | 4-3/4 | CTC-2456816 | 218.34 |
| BML1-UP; BNK2502-UP | | | | | | | |
| 2058656 | | | P-UB-10 | 65 mm | 4-3/4 | CTC-2456816 | 218.34 |
| BACKHOE SWING | | | | | | | |
| BML1-2280; BNK1-1032 | | | | | | | |
| 1699529 | | | P-UB-10 | 2 | 4 | CTC-3809482 | 99.65 |
| BML1-5023; BNK1033-6261 | | | | | | | |
| 1918161 | | | P-UB-10 | 2 | 4 | CTC-2618625 | 64.19 |
| BML5013-UP; BNK6262-UP | | | | | | | |
| 2283506 | | | P-UB-10 | 50 mm | 100 mm | CTC-2332622 | 85.34 |
| 2283506 | | | Bushing | 50 mm | | CTC-2332613 | 19.72 |
| COUPLER | | | | | | | |
| BML1-UP | | | | | | | |
| | | | I-U-10 | 1 | 2 | CTC-1809872 | 161.75 |
| 1783713 | | | I-U-10 | 1 | 2 | CTC-1809872 | 161.75 |
| GRAPPLE | | | | | | | |
| BML4800-UP; BNK5900-UP | | | | | | | |
| 2754243 | | | I-U-10 | 50 mm | 70 mm | CTC-2764172 | 64.44 |
| LOADER BUCKET MP | | | | | | | |
| BML1-UP; BNK1-UP | | | | | | | |
| 1851839 | | | P-UB-10 | 1-1/2 | 3 | CTC-2350354 | 47.14 |
| BML4800-UP; BNK5900-UP | | | | | | | |
| 2265540 | | | I-U-10 | 1-1/2 | 3 | CTC-2309357 | 76.03 |
| LOADER LIFT | | | | | | | |
| BML1-2280; BNK1-2501 | | | | | | | |
| 1807490 | | | P-UB-10 | 2 | 85 mm | CTC-2410110 | 169.26 |
| 1832856 | | | P-UB-10 | 2 | 85 mm | CTC-2410110 | 169.26 |
| BML1-4799; BNK1-5899 | | | | | | | |
| 1923791 | | | P-UB-10 | 2 | 85 mm | CTC-2600273 | 131.34 |
| 1964523 | | | P-UB-10 | 2 | 85 mm | CTC-2600273 | 131.34 |
| BML4800-UP | | | | | | | |
| 2283505 | | | P-U-10 | 50 mm | 85 mm | CTC-2432276 | 113.89 |
| 2283505 | | | Bushing | 50 mm | | CTC-2332613 | 19.72 |
| BNK5900-UP | | | | | | | |
| 2300980 | | | P-U-10 | 50 mm | 85 mm | CTC-2432276 | 113.89 |
| 2300980 | | | Bushing | 50 mm | | CTC-2332613 | 19.72 |
| LOADER TILT | | | | | | | |
| BML1-2280 | | | | | | | |
| 1832848 | | | P-UB-10 | 2 | 75 mm | CTC-2410109 | 125.15 |
| BML1-UP | | | | | | | |
| 1923884 | PTFE piston seal | | P-UB-10 | 2 | 75 mm | CTC-1923884K | 94.04 |
| 1923884 | Nylon Piston seal | | P-UB-10 | 2 | 75 mm | CTC-2617175 | 109.80 |
| BNK1033-2501 | | | | | | | |
| | | | P-UB-10 | 2 | 85 mm | CTC-2600273 | 131.34 |
| 1924110 | | | P-UB-10 | 2 | 85 mm | CTC-2600273 | 131.34 |

CATERPILLAR®

REPLACEMENT KITS FOR CATERPILLAR® EQUIPMENT

| Backhoe Loaders | | | | | | | |
|--|-------|--------------------------------|---------|-------|--------|--------------|--------|
| APPLICATION | CYL # | Misc-Parts, Instructions, etc. | CODE | ROD | BORE | KIT # | |
| MODEL 430D | | | | | | | |
| LOADER TILT | | | | | | | |
| BNK1-1032 | | | | | | | |
| 1807482 | | | P-UB-10 | 2 | 85 mm | CTC-2410110 | 169.26 |
| BNK2502-2558 | | | | | | | |
| 2063555 | | | P-UB-10 | 2 | 85 mm | CTC-2600273 | 131.34 |
| BNK2502-UP | | | | | | | |
| | | | P-UB-10 | 2 | 4 | CTC-2618625 | 64.19 |
| 2007128 | | | P-UB-10 | 2 | 4 | CTC-2618625 | 64.19 |
| STABILIZER | | | | | | | |
| BML1-2280; BNK1-2501 | | | | | | | |
| 1807484 | | | P-UB-10 | 2-1/8 | 4 | CTC-2857486 | 111.70 |
| 1807485 | | | P-UB-10 | 2-1/8 | 4 | CTC-2857486 | 111.70 |
| BML1-5012; BNK2502-6244 | | | | | | | |
| 2060520 | | | P-UB-10 | 2-1/8 | 4 | CTC-2857486 | 111.70 |
| BML1-5012; BNK2502-6261 | | | | | | | |
| 2060522 | | | P-UB-10 | 2-1/8 | 4 | CTC-2857486 | 111.70 |
| BML5013-UP; BNK6245-UP | | | | | | | |
| 2283499 | | | P-UB-10 | 55 mm | 100 mm | CTC-2332623 | 148.51 |
| BML5013-UP; BNK6262-UP | | | | | | | |
| 2283500 | | | P-UB-10 | 55 mm | 100 mm | CTC-2332623 | 148.51 |
| 2283500 | | | Bushing | 55 mm | | CTC-2332614 | 23.29 |
| STEERING | | | | | | | |
| BML1-4799; BNK1-5899 | | | | | | | |
| | | | I-U-10 | 36 mm | 65 mm | CTC-1787189 | 302.43 |
| 1674235 | | | P-UB-10 | 1-3/4 | 2-3/4 | CTC-2350351 | 198.90 |
| THUMB | | | | | | | |
| BML4800-UP; BNK5900-UP | | | | | | | |
| 2754243 | | | I-U-10 | 50 mm | 70 mm | CTC-2764172 | 64.44 |
| MODEL 430E | | | | | | | |
| BACKHOE BOOM | | | | | | | |
| DDT1-UP; EAT1-UP; MXB1-UP; RLN1-UP; SCD1-UP; SWC1-UP | | | | | | | |
| | | | P-UB-10 | 3 | 5-1/4 | CTC-2959887 | 160.67 |
| DDT1-UP; EAT1-UP; RLN1-UP; SCD1-UP | | | | | | | |
| 2469884 | | | P-UB-10 | 3 | 5-1/4 | CTC-2959887 | 160.67 |
| 2689051 | | | P-UB-10 | 3 | 5-1/4 | CTC-2689051K | 157.14 |
| BACKHOE BUCKET | | | | | | | |
| DDT1-UP; EAT1-UP; MXB1-UP; RLN1-UP; SCD1-UP; SWC1-UP | | | | | | | |
| | | | I-UB-10 | 2-3/4 | 3-3/8 | CTC-3387039 | 150.13 |
| DDT1-UP; EAT1-UP; RLN1-UP; SCD1-UP | | | | | | | |
| 1668140 | | | I-UB-10 | 2-3/4 | 3-3/4 | CTC-2235944 | 108.68 |
| 2107096 | | | I-UB-10 | 2-3/4 | 3-3/4 | CTC-3651342 | 147.95 |
| BACKHOE EXT STICK | | | | | | | |
| DDT1-UP; EAT1-UP; MXB1-UP; RLN1-UP; SCD1-UP; SWC1-UP | | | | | | | |
| | | | P-UB-10 | 1-1/2 | 3 | CTC-3387156 | 55.77 |
| | | | P-UB-10 | 2-1/2 | 5 | CTC-3653007 | 160.56 |
| DDT1-UP; EAT1-UP; RLN1-UP; SCD1-UP | | | | | | | |
| 2107092 | | | P-UB-10 | 2-1/2 | 5 | CTC-3653007 | 160.56 |
| 2107097 | | | P-UB-10 | 1-1/2 | 3 | CTC-3387156 | 55.77 |
| 2107098 | | | P-UB-10 | 1-1/2 | 3 | CTC-3387156 | 55.77 |
| BACKHOE STICK | | | | | | | |
| DDT1-UP; EAT1-UP; MXB1-UP; RLN1-UP; SCD1-UP; SWC1-UP | | | | | | | |
| | | | P-UB-10 | 2-1/2 | 5 | CTC-3653007 | 160.56 |
| DDT1-UP; EAT1-UP; RLN1-UP; SCD1-UP | | | | | | | |
| 2107091 | | | P-UB-10 | 2-1/2 | 5 | CTC-2107091K | 103.47 |

REPLACEMENT KITS FOR CATERPILLAR® EQUIPMENT

| Backhoe Loaders | | | | | | | |
|--|--------|--------------------------------|---------|-------|--------|--------------|--------|
| APPLICATION | CYL. # | Misc-Parts, Instructions, etc. | CODE | ROD | BORE | KIT # | |
| MODEL 430E | | | | | | | |
| COUPLER | | | | | | | |
| DDT1-UP; MXB1-UP; SCD1-UP | | | | | | | |
| | | | I-U-10 | 1 | 2 | CTC-1809872 | 161.75 |
| DDT1-UP; SCD1-UP | | | | | | | |
| 1903085 | | | I-U-10 | 1 | 2 | CTC-1809872 | 161.75 |
| GRAPPLE | | | | | | | |
| DDT1-UP; EAT1-UP | | | | | | | |
| 2754243 | | | I-U-10 | 50 mm | 70 mm | CTC-2764172 | 64.44 |
| LOADER BUCKET MP | | | | | | | |
| DDT1-UP; EAT1-UP; MXB1-UP; RLN1-UP; SCD1-UP; SWC1-UP | | | | | | | |
| | | | I-U-10 | 1-1/2 | 3 | CTC-2309357 | 76.03 |
| DDT1-UP; EAT1-UP; RLN1-UP; SCD1-UP | | | | | | | |
| 2265540 | | | I-U-10 | 1-1/2 | 3 | CTC-2309357 | 76.03 |
| LOADER LIFT | | | | | | | |
| DDT1-UP; SCD1-UP | | | | | | | |
| 2283505 | | | P-U-10 | 50 mm | 85 mm | CTC-2432276 | 113.89 |
| 2283505 | | | Bushing | 50 mm | | CTC-2332613 | 19.72 |
| EAT1-UP; RLN1-UP | | | | | | | |
| 2283509 | | | P-U-10 | 50 mm | 85 mm | CTC-2432276 | 113.89 |
| 2283509 | | | Bushing | 50 mm | | CTC-2332613 | 19.72 |
| LOADER TILT | | | | | | | |
| DDT1-UP; MXB1-UP; SCD1-UP | | | | | | | |
| | | | P-UB-10 | 2 | 75 mm | CTC-2617175 | 109.80 |
| DDT1-UP; SCD1-UP | | | | | | | |
| 1923884 | | | P-UB-10 | 2 | 75 mm | CTC-1923884K | 94.04 |
| EAT1-UP; RLN1-UP | | | | | | | |
| 2007128 | | | P-UB-10 | 2 | 4 | CTC-2618625 | 64.19 |
| EAT1-UP; RLN1-UP; SWC1-UP | | | | | | | |
| | | | P-UB-10 | 2 | 4 | CTC-2618625 | 64.19 |
| STABILIZER | | | | | | | |
| DDT1-UP; EAT1-UP; RLN1-UP; SCD1-UP | | | | | | | |
| 2627049 | | | P-UB-10 | 55 mm | 100 mm | CTC-2332623 | 148.51 |
| 2627049 | | | Bushing | 55 mm | | CTC-2332614 | 23.29 |
| 2627050 | | | P-UB-10 | 55 mm | 100 mm | CTC-2332623 | 148.51 |
| 2627050 | | | Bushing | 55 mm | | CTC-2332614 | 23.29 |
| SWING | | | | | | | |
| DDT1-UP; EAT1-UP; RLN1-UP; SCD1-UP | | | | | | | |
| 2781971 | | | P-UB-10 | 50 mm | 100 mm | CTC-2332622 | 85.34 |
| 2781971 | | | Bushing | 50 mm | | CTC-2332613 | 19.72 |
| THUMB | | | | | | | |
| DDT1-UP; EAT1-UP; MXB1-UP; RLN1-UP; SCD1-UP; SWC1-UP | | | | | | | |
| | | | I-U-10 | 50 mm | 70 mm | CTC-2764172 | 64.44 |
| MODEL 430F/430F IT | | | | | | | |
| BACKHOE BOOM | | | | | | | |
| LDY1-281; LNH1-UP; RDF1-UP; RGS1-UP | | | | | | | |
| 2469884 | | | P-UB-10 | 3 | 5-1/4 | CTC-3769015 | 195.82 |
| BACKHOE BUCKET | | | | | | | |
| LDY1-281; LNH1-UP; RDF1-UP; RGS1-UP | | | | | | | |
| 2107096 | | | I-UB-10 | 2-3/4 | 3-3/4 | CTC-3651342 | 147.95 |
| BACKHOE EXT STICK | | | | | | | |
| LDY1-281; LNH1-UP; RDF1-UP; RGS1-UP | | | | | | | |
| 2107098 | | | P-UB-10 | 1-1/2 | 3 | CTC-3387156 | 55.77 |
| BACKHOE STICK | | | | | | | |
| LDY1-281; LNH1-UP; RDF1-UP; RGS1-UP | | | | | | | |
| 2107092 | | | P-UB-10 | 2-1/2 | 5 | CTC-3653007 | 160.56 |

CATERPILLAR®

REPLACEMENT KITS FOR CATERPILLAR® EQUIPMENT

| Backhoe Loaders | | | | | | | |
|---|----------------|--------------------------------|---------|-------|--------|-------------|--------|
| APPLICATION | CYL # | Misc-Parts, Instructions, etc. | CODE | ROD | BORE | KIT # | |
| MODEL 430F/430F IT | | | | | | | |
| BACKHOE SWING LH | | | | | | | |
| LDY1-281; LNH1-UP; RDF1-UP; RGS1-UP | | | | | | | |
| 3818055 | | | P-UB-10 | 50 mm | 100 mm | CTC-3779352 | 92.18 |
| 3818055 | | | Bushing | 50 mm | | CTC-2332613 | 19.72 |
| BACKHOE SWING RH | | | | | | | |
| LDY1-281; LNH1-UP; RDF1-UP; RGS1-UP | | | | | | | |
| 3818054 | | | P-UB-10 | 50 mm | 100 mm | CTC-3779352 | 92.18 |
| 3818054 | | | Bushing | 50 mm | | CTC-2332613 | 19.72 |
| COUPLER | | | | | | | |
| LDY1-281; LNH1-UP; RDF1-UP; RGS1-UP | | | | | | | |
| 3611139 | | | I-U-15 | 3/4 | 1-1/4 | CTC-3611131 | 56.90 |
| 4555975 | | | I-U-15 | 3/4 | 1-1/4 | CTC-3611131 | 56.90 |
| LDY1-281; RDF1-UP | | | | | | | |
| 1903085 | | | I-U-10 | 1 | 2 | CTC-1809872 | 161.75 |
| 3750724 | | | I-U-10 | 7/8 | 2 | CTC-3675261 | 22.29 |
| LNH1-UP; RGS1-UP | | | | | | | |
| 1783713 | | | I-U-10 | 1 | 2 | CTC-1809872 | 161.75 |
| LOADER BUCKET MP | | | | | | | |
| LDY1-281; LNH1-UP; RDF1-UP; RGS1-UP | | | | | | | |
| 2265540 | | | I-U-10 | 1-1/2 | 3 | CTC-2309357 | 76.03 |
| LOADER LIFT LH | | | | | | | |
| LDY1-281; LNH1-208; RDF1-UP; RGS1-761 | | | | | | | |
| 3585034 | | | I-U-10 | 50 mm | 80 mm | CTC-3240356 | 112.03 |
| LDY1-281; LNH209-UP; RDF1-UP; RGS762-UP | | | | | | | |
| 5107944 | | | P-U-10 | 50 mm | 80 mm | CTC-5016702 | 104.94 |
| LOADER LIFT RH | | | | | | | |
| LDY1-281; LNH1-208; RDF1-UP; RGS1-761 | | | | | | | |
| 3585035 | | | I-U-10 | 50 mm | 80 mm | CTC-3240356 | 112.03 |
| LDY1-281; LNH209-UP; RDF1-UP; RGS762-UP | | | | | | | |
| 5107945 | | | P-U-10 | 50 mm | 80 mm | CTC-5016702 | 104.94 |
| LOADER TILT | | | | | | | |
| LDY1-280; RDF1-869 | | | | | | | |
| 3585044 | | | I-U-10 | 50 mm | 90 mm | CTC-3556294 | 110.87 |
| LDY1-281; RDF1-UP | | | | | | | |
| 5107946 | | | P-U-10 | 50 mm | 90 mm | CTC-5212972 | 106.39 |
| LDY281-UP; RDF870-UP | | | | | | | |
| 3585044 | | | P-U-10 | 50 mm | 90 mm | CTC-5212972 | 106.39 |
| LNH1-UP; RGS1-UP | | | | | | | |
| 3585045 | Insert Wiper | | I-U-10 | 45 mm | 70 mm | CTC-3240411 | 85.74 |
| 3585045 | Press In Wiper | | P-U-10 | 45 mm | 70 mm | CTC-5212973 | 82.91 |
| 5107947 | | | P-U-10 | 45 mm | 70 mm | CTC-5212973 | 82.91 |
| STABILIZER LH | | | | | | | |
| LDY1-281; LNH1-UP; RDF1-UP; RGS1-UP | | | | | | | |
| 2912681 | | | P-UB-10 | 55 mm | 100 mm | CTC-3975181 | 112.96 |
| 2912681 | | | Bushing | 55 mm | | CTC-2332614 | 23.29 |
| STABILIZER RH | | | | | | | |
| LDY1-281; LNH1-UP; RDF1-UP; RGS1-UP | | | | | | | |
| 2912682 | | | P-UB-10 | 55 mm | 100 mm | CTC-3975181 | 112.96 |
| 2912682 | | | Bushing | 55 mm | | CTC-2332614 | 23.29 |
| STEERING | | | | | | | |
| LDY1-281; LNH1-UP; RDF1-UP; RGS1-UP | | | | | | | |
| 2145097 | | | I-U-10 | 36 mm | 65 mm | CTC-2152023 | 146.53 |
| THUMB | | | | | | | |
| LDY1-281; LNH1-UP | | | | | | | |
| 2754243 | | | I-U-10 | 50 mm | 70 mm | CTC-2764172 | 64.44 |

REPLACEMENT KITS FOR CATERPILLAR® EQUIPMENT

| Backhoe Loaders | | | | | | | |
|--|----------------|--------------------------------|---------|-------|--------|-------------|--------|
| APPLICATION | CYL # | Misc-Parts, Instructions, etc. | CODE | ROD | BORE | KIT # | |
| MODEL 430F2/430F2 IT | | | | | | | |
| BACKHOE BOOM | | | | | | | |
| HWE1-UP; HWG1-UP; LYD1-UP; LYE1-UP | | | | | | | |
| 2469884 | | | P-UB-10 | 3 | 5-1/4 | CTC-3769015 | 195.82 |
| BACKHOE BUCKET | | | | | | | |
| HWE1-UP; HWG1-UP; LYD1-UP; LYE1-UP | | | | | | | |
| 4494908 | | | I-UB-10 | 2-3/4 | 3-3/4 | CTC-3651342 | 147.95 |
| BACKHOE EXT STICK | | | | | | | |
| HWE1-UP; HWG1-UP; LYD1-UP; LYE1-UP | | | | | | | |
| 2107098 | | | P-UB-10 | 1-1/2 | 3 | CTC-3387156 | 55.77 |
| BACKHOE STICK | | | | | | | |
| HWE1-UP; HWG1-UP; LYD1-UP; LYE1-UP | | | | | | | |
| 2107092 | | | P-UB-10 | 2-1/2 | 5 | CTC-3653007 | 160.56 |
| BACKHOE SWING LH | | | | | | | |
| HWE1-UP; HWG1-UP; LYD1-UP; LYE1-UP | | | | | | | |
| 3818055 | | | P-UB-10 | 50 mm | 100 mm | CTC-3779352 | 92.18 |
| 3818055 | | | Bushing | 50 mm | | CTC-2332613 | 19.72 |
| BACKHOE SWING RH | | | | | | | |
| HWE1-UP; HWG1-UP; LYD1-UP; LYE1-UP | | | | | | | |
| 3818054 | | | P-UB-10 | 50 mm | 100 mm | CTC-3779352 | 92.18 |
| 3818054 | | | Bushing | 50 mm | | CTC-2332613 | 19.72 |
| COUPLER | | | | | | | |
| HWE1-UP; HWG1-UP; LYD1-UP; LYE1-UP | | | | | | | |
| 3611139 | | | I-U-15 | 3/4 | 1-1/4 | CTC-3611131 | 56.90 |
| 4555975 | | | I-U-15 | 3/4 | 1-1/4 | CTC-3611131 | 56.90 |
| HWG1-UP; LYE1-UP | | | | | | | |
| 1783713 | | | I-U-10 | 1 | 2 | CTC-1809872 | 161.75 |
| LOADER BUCKET MP | | | | | | | |
| HWE1-UP; HWG1-UP; LYD1-UP; LYE1-UP | | | | | | | |
| 2265540 | | | I-U-10 | 1-1/2 | 3 | CTC-2309357 | 76.03 |
| LOADER LIFT LH | | | | | | | |
| HWE1-607; HWG1-463; LYD1-UP; LYE1-207 | | | | | | | |
| 3585034 | | | I-U-10 | 50 mm | 80 mm | CTC-3240356 | 112.03 |
| HWE608-UP; HWG464-UP; LYD1-UP; LYE208-UP | | | | | | | |
| 5107944 | | | P-U-10 | 50 mm | 80 mm | CTC-5016702 | 104.94 |
| LOADER LIFT RH | | | | | | | |
| HWE1-607; HWG1-463; LYD1-UP; LYE1-207 | | | | | | | |
| 3585035 | | | I-U-10 | 50 mm | 80 mm | CTC-3240356 | 112.03 |
| HWE608-UP; HWG464-UP; LYD1-UP; LYE208-UP | | | | | | | |
| 5107945 | | | P-U-10 | 50 mm | 80 mm | CTC-5016702 | 104.94 |
| LOADER TILT | | | | | | | |
| HWE1-607; LYD1-204 | | | | | | | |
| 3585044 | | | I-U-10 | 50 mm | 90 mm | CTC-3556294 | 110.87 |
| HWE608-UP; LYD1-UP | | | | | | | |
| 5107946 | | | P-U-10 | 50 mm | 90 mm | CTC-5212972 | 106.39 |
| HWG1-UP; LYE1-UP | | | | | | | |
| 3585045 | Insert Wiper | | I-U-10 | 45 mm | 70 mm | CTC-3240411 | 85.74 |
| 3585045 | Press In Wiper | | P-U-10 | 45 mm | 70 mm | CTC-5212973 | 82.91 |
| 5107947 | | | P-U-10 | 45 mm | 70 mm | CTC-5212973 | 82.91 |
| STABILIZER LH | | | | | | | |
| HWE1-UP; HWG1-UP; LYD1-UP; LYE1-UP | | | | | | | |
| 2912681 | | | P-UB-10 | 55 mm | 100 mm | CTC-3975181 | 112.96 |
| 2912681 | | | Bushing | 55 mm | | CTC-2332614 | 23.29 |
| STABILIZER RH | | | | | | | |
| HWE1-UP; HWG1-UP; LYD1-UP; LYE1-UP | | | | | | | |
| 2912682 | | | P-UB-10 | 55 mm | 100 mm | CTC-3975181 | 112.96 |
| 2912682 | | | Bushing | 55 mm | | CTC-2332614 | 23.29 |

REPLACEMENT KITS FOR CATERPILLAR® EQUIPMENT

| Backhoe Loaders | | | | | | | |
|------------------------------------|-------|--------------------------------|---------|-------|-------|-------------|--------|
| APPLICATION | CYL # | Misc-Parts, Instructions, etc. | CODE | ROD | BORE | KIT # | |
| MODEL 430F2/430F2 IT | | | | | | | |
| STEERING | | | | | | | |
| HWE1-UP; HWG1-UP; LYD1-UP; LYE1-UP | | | | | | | |
| 2145097 | | | I-U-10 | 36 mm | 65 mm | CTC-2152023 | 146.53 |
| THUMB | | | | | | | |
| HWE1-UP; HWG1-UP; LYD1-UP; LYE1-UP | | | | | | | |
| 2754243 | | | I-U-10 | 50 mm | 70 mm | CTC-2764172 | 64.44 |
| MODEL 432D | | | | | | | |
| BACKHOE BOOM | | | | | | | |
| BLD1-3844; TDR1-UP; WEP1-UP | | | | | | | |
| | | | P-UB-10 | 2-3/8 | 4-3/4 | CTC-2350973 | 137.14 |
| BACKHOE BUCKET | | | | | | | |
| BLD1-3844; TDR1-UP; WEP1-UP | | | | | | | |
| 1804849 | | | I-UB-10 | 2-1/2 | 3-1/2 | CTC-2235945 | 90.88 |
| 1917835 | | | I-UB-10 | 2-3/4 | 3-3/4 | CTC-2315021 | 101.67 |
| 1917839 | | | I-UB-10 | 2-3/4 | 3-3/4 | CTC-2315021 | 101.67 |
| 2060518 | | | I-UB-10 | 2-1/2 | 3-1/2 | CTC-2235945 | 90.88 |
| BLD1-UP | | | | | | | |
| 1668140 | | | I-UB-10 | 2-3/4 | 3-3/4 | CTC-1939270 | 139.64 |
| 1668141 | | | I-UB-10 | 2-3/4 | 3-3/4 | CTC-1939270 | 139.64 |
| BACKHOE EXT STICK | | | | | | | |
| BLD1-859 | | | | | | | |
| 1647174 | | | P-UB-10 | 1-1/2 | 3 | CTC-2350354 | 47.14 |
| BACKHOE STABILIZER | | | | | | | |
| BLD1-3844; TDR1-UP; WEP1-UP | | | | | | | |
| 1734565 | | | P-UB-10 | 1-3/4 | 2-3/4 | CTC-2342595 | 190.69 |
| BACKHOE STICK | | | | | | | |
| BLD1-859 | | | | | | | |
| | | | P-UB-10 | 2-1/2 | 4-1/2 | CTC-2435805 | 100.86 |
| BLD860-UP; TDR1-UP; WEP1-UP | | | | | | | |
| | | | P-UB-10 | 2-1/2 | 4-1/2 | CTC-2297194 | 75.66 |
| BACKHOE SWING | | | | | | | |
| BLD1-859 | | | | | | | |
| 1699529 | | | P-UB-10 | 2 | 4 | CTC-2409538 | 94.69 |
| 1699530 | | | P-UB-10 | 2 | 4 | CTC-2409538 | 94.69 |
| BLD860-UP; TDR1-321; WEP1-881 | | | | | | | |
| | | | P-UB-10 | 2 | 4 | CTC-2618625 | 64.19 |
| COUPLER | | | | | | | |
| BLD1-3844; TDR1-UP; WEP1-UP | | | | | | | |
| | | | I-U-10 | 1 | 2 | CTC-1809872 | 161.75 |
| LOADER BUCKET MP | | | | | | | |
| BLD1-3844; TDR1-UP; WEP1-UP | | | | | | | |
| 1851839 | | | P-UB-10 | 1-1/2 | 3 | CTC-2350354 | 47.14 |
| LOADER LIFT | | | | | | | |
| BLD1-859 | | | | | | | |
| 1807490 | | | P-UB-10 | 2 | 85 mm | CTC-2410110 | 169.26 |
| BLD860-UP; TDR1-UP; WEP1-UP | | | | | | | |
| | | | P-UB-10 | 2 | 85 mm | CTC-2600273 | 131.34 |
| LOADER TILT | | | | | | | |
| BLD1-859 | | | | | | | |
| 1832848 | | | P-UB-10 | 2 | 75 mm | CTC-2410109 | 125.15 |
| BLD860-UP; TDR1-UP; WEP1-UP | | | | | | | |
| | | | P-UB-10 | 2 | 75 mm | CTC-2617175 | 109.80 |
| STEERING | | | | | | | |
| BLD1-UP | | | | | | | |
| 1787190 | | | I-U-10 | 36 mm | 65 mm | CTC-1787189 | 302.43 |

REPLACEMENT KITS FOR CATERPILLAR® EQUIPMENT

| Backhoe Loaders | | | | | | | |
|---------------------------|---------|--------------------------------|---------|-------|-------|-------------|--------|
| APPLICATION | CYL # | Misc-Parts, Instructions, etc. | CODE | ROD | BORE | KIT # | |
| MODEL 432E | | | | | | | |
| BACKHOE BOOM | | | | | | | |
| BXE1-UP | | | | | | | |
| | 2689049 | | P-UB-10 | 2-3/8 | 4-3/4 | CTC-2350973 | 137.14 |
| BXE1-UP; RXS1-UP | | | | | | | |
| | 2107076 | | P-UB-10 | 2-3/8 | 4-3/4 | CTC-2959893 | 124.37 |
| BACKHOE BUCKET | | | | | | | |
| BXE1-UP; RXS1-UP | | | | | | | |
| | | | I-UB-10 | 2-3/8 | 85 mm | CTC-3651283 | 95.29 |
| BACKHOE EXT STICK | | | | | | | |
| BXE1-UP; RXS1-UP | | | | | | | |
| | | | P-UB-10 | 1-1/2 | 3 | CTC-3387156 | 55.77 |
| | | | P-UB-10 | 65 mm | 4-3/4 | CTC-3651270 | 259.14 |
| BACKHOE STABILIZER | | | | | | | |
| BXE1-UP; RXS1-UP | | | | | | | |
| | | | P-UB-10 | 1-3/4 | 2-3/4 | CTC-2342595 | 190.69 |
| BACKHOE STICK | | | | | | | |
| BXE1-UP; RXS1-UP | | | | | | | |
| | | | P-UB-10 | 65 mm | 4-3/4 | CTC-3651270 | 259.14 |
| COUPLER | | | | | | | |
| BXE1-UP; JBA1-UP; RXS1-UP | | | | | | | |
| | | | I-U-10 | 1 | 2 | CTC-1809872 | 161.75 |
| LOADER BUCKET MP | | | | | | | |
| BXE1-UP; RXS1-UP | | | | | | | |
| | | | P-UB-10 | 1-1/2 | 3 | CTC-2350354 | 47.14 |
| JBA1-UP; RXS1-UP | | | | | | | |
| | | | I-U-10 | 1-1/2 | 3 | CTC-2309357 | 76.03 |
| LOADER LIFT | | | | | | | |
| BXE1-UP; RXS1-UP | | | | | | | |
| | | | P-UB-10 | 2 | 85 mm | CTC-2600273 | 131.34 |
| LOADER TILT | | | | | | | |
| BXE1-UP; RXS1-UP | | | | | | | |
| | | | P-UB-10 | 2 | 75 mm | CTC-2617175 | 109.80 |
| STEERING | | | | | | | |
| BXE1-UP | | | | | | | |
| | 2385238 | | I-U-10 | 38 mm | 85 mm | CTC-2172886 | 185.27 |
| MODEL 432F | | | | | | | |
| COUPLER | | | | | | | |
| LNR1-UP; SEJ1-UP | | | | | | | |
| | | | I-U-10 | 1 | 2 | CTC-1809872 | 161.75 |
| LOADER BUCKET MP | | | | | | | |
| LNR1-UP; SEJ1-UP | | | | | | | |
| | | | I-U-10 | 1-1/2 | 3 | CTC-2309357 | 76.03 |
| MODEL 434E | | | | | | | |
| BACKHOE BOOM | | | | | | | |
| FSH1-UP | | | | | | | |
| | 2689049 | | P-UB-10 | 2-3/8 | 4-3/4 | CTC-2350973 | 137.14 |
| FSH1-UP; SXB1-UP | | | | | | | |
| | | | P-UB-10 | 2-3/8 | 4-3/4 | CTC-2959893 | 124.37 |
| BACKHOE BUCKET | | | | | | | |
| FSH1-UP; SXB1-UP | | | | | | | |
| | | | I-UB-10 | 2-3/8 | 85 mm | CTC-3651283 | 95.29 |
| BACKHOE EXT STICK | | | | | | | |
| FSH1-UP; SXB1-UP | | | | | | | |
| | | | P-UB-10 | 1-1/2 | 3 | CTC-3387156 | 55.77 |
| | | | P-UB-10 | 65 mm | 4-3/4 | CTC-3651270 | 259.14 |

REPLACEMENT KITS FOR CATERPILLAR® EQUIPMENT

| Backhoe Loaders | | | | | | | |
|---------------------------|------------------------------------|--------------------------------|---------|-------|-------|-------------|--------|
| APPLICATION | CYL # | Misc-Parts, Instructions, etc. | CODE | ROD | BORE | KIT # | |
| MODEL 434E | | | | | | | |
| BACKHOE STABILIZER | | | | | | | |
| | FSH1-UP; SXB1-UP | | | | | | |
| | | | P-UB-10 | 1-3/4 | 2-3/4 | CTC-2342595 | 190.69 |
| BACKHOE STICK | | | | | | | |
| | FSH1-UP; SXB1-UP | | | | | | |
| | | | P-UB-10 | 65 mm | 4-3/4 | CTC-3651270 | 259.14 |
| COUPLER | | | | | | | |
| | FSH1-UP; SJL1-UP; SXB1-UP | | | | | | |
| | | | I-U-10 | 1 | 2 | CTC-1809872 | 161.75 |
| LOADER BUCKET MP | | | | | | | |
| | FSH1-UP | | | | | | |
| | | | P-UB-10 | 1-1/2 | 3 | CTC-2350354 | 47.14 |
| | SEF1-UP; SJL1-UP; SXB1-UP | | | | | | |
| | | | I-U-10 | 1-1/2 | 3 | CTC-2309357 | 76.03 |
| STEERING | | | | | | | |
| | FSH1-UP | | | | | | |
| | | | I-U-10 | 38 mm | 85 mm | CTC-2172886 | 185.27 |
| | FSH1-UP; SEF1-UP; SJL1-UP; SXB1-UP | | | | | | |
| | | | I-U-10 | 42 mm | 85 mm | CTC-2807013 | 172.07 |
| MODEL 434F | | | | | | | |
| COUPLER | | | | | | | |
| | LDH1-UP | | | | | | |
| | | | I-U-15 | 3/4 | 1-1/4 | CTC-3611131 | 56.90 |
| LOADER BUCKET MP | | | | | | | |
| | FLY1-UP; LDH1-UP | | | | | | |
| | | | I-U-10 | 1-1/2 | 3 | CTC-2309357 | 76.03 |
| MODEL 436B | | | | | | | |
| BACKHOE BOOM | | | | | | | |
| | 6E0274 | | P-UB-10 | 2-3/8 | 4-1/2 | CTC-3E8877 | 214.74 |
| | 5KF1-UP | | | | | | |
| | 6E1670 | | P-UB-10 | 2 | 3-1/2 | CTC-2281778 | 106.58 |
| | 9T5222 | | P-UB-10 | 2 | 3-1/2 | CTC-2281778 | 106.58 |
| | 6MJ1-UP; 7FL1-UP | | | | | | |
| | 6E1948 | Head 1213395 | P-UB-10 | 2-1/2 | 5 | CTC-2275347 | 128.71 |
| BACKHOE BUCKET | | | | | | | |
| | 1268316 | PTFE piston seal | I-UB-10 | 2-3/4 | 3-3/4 | CTC-1945603 | 119.95 |
| | 6E0275 | | I-UB-10 | 2-1/2 | 3-1/2 | CTC-3E3299 | 183.90 |
| | 6E1809 | PTFE piston seal | I-UB-10 | 2-3/4 | 3-3/4 | CTC-1945603 | 119.95 |
| | 5KF1-805; 5KF806-UP | | | | | | |
| | 9T7288 | | I-UB-10 | 2-3/4 | 3-3/4 | CTC-3E3314 | 235.09 |
| | 5KF806-UP | | | | | | |
| | 6E3297 | | I-UB-10 | 2-3/4 | 3-3/4 | CTC-1939270 | 139.64 |
| | 6MJ1-UP; 7FL1-UP | | | | | | |
| | 1268316 | Nylon piston seal | I-UB-10 | 2-3/4 | 3-3/4 | CTC-1939270 | 139.64 |
| | 6E1809 | Nylon piston seal | I-UB-10 | 2-3/4 | 3-3/4 | CTC-1939270 | 139.64 |
| BACKHOE EXT BUCKET | | | | | | | |
| | 6E3692 | | I-UB-10 | 2-3/4 | 3-3/4 | CTC-9X2020 | 149.28 |
| BACKHOE EXT STICK | | | | | | | |
| | 5KF1-UP; 6MJ1-UP; 7FL1-UP | | | | | | |
| | 6E3662 | | P-UB-10 | 1-1/2 | 3 | CTC-2350354 | 47.14 |
| | 9T4809 | | P-UB-10 | 1-1/2 | 3 | CTC-2350354 | 47.14 |
| BACKHOE STICK | | | | | | | |
| | 6MJ1-UP; 7FL1-UP | | | | | | |
| | 6E1935 | | P-UB-10 | 2-3/4 | 5 | CTC-2440958 | 163.34 |
| BACKHOE SWING | | | | | | | |
| | 6E1864 | | P-UB-10 | 2 | 4 | CTC-1328816 | 127.22 |

REPLACEMENT KITS FOR CATERPILLAR® EQUIPMENT

| Backhoe Loaders | | | | | | | |
|---|--------------|--------------------------------|---------|-------|-------|-------------|--------|
| APPLICATION | CYL # | Misc-Parts, Instructions, etc. | CODE | ROD | BORE | KIT # | |
| MODEL 436B | | | | | | | |
| BACKHOE SWING | | | | | | | |
| 5KF1-UP | | | | | | | |
| 4T6879 | | | P-UB-10 | 2-1/8 | 4 | CTC-2465929 | 59.30 |
| 6E0093 | | | P-UB-10 | 2-1/8 | 4 | CTC-2465929 | 59.30 |
| 6E0095 | | | P-UB-10 | 2-1/8 | 4 | CTC-2465929 | 59.30 |
| 9T0529 | | | P-UB-10 | 2-1/8 | 4 | CTC-2465929 | 59.30 |
| 6MJ1-UP; 7FL1-UP | | | | | | | |
| 1166861 | | | P-UB-10 | 2 | 4 | CTC-2409538 | 94.69 |
| 6E0288 | | | P-UB-10 | 2 | 4 | CTC-2409538 | 94.69 |
| LOADER BUCKET MP | | | | | | | |
| 5KF1-UP; 6MJ1-UP; 7FL1-UP | | | | | | | |
| 9T4006 | | | P-UB-10 | 1-1/2 | 3 | CTC-2350354 | 47.14 |
| LOADER LIFT | | | | | | | |
| 5KF1-UP; 6MJ1-UP; 7FL1-UP | | | | | | | |
| 1070624 | | | P-UB-10 | 1-7/8 | 3-1/4 | CTC-2465926 | 60.62 |
| 6E0103 | | | P-UB-10 | 1-7/8 | 3-1/4 | CTC-2465926 | 60.62 |
| 9T0415 | | | P-UB-10 | 1-7/8 | 3-1/4 | CTC-2465926 | 60.62 |
| LOADER TILT | | | | | | | |
| 5KF1-UP; 6MJ1-UP; 7FL1-UP | | | | | | | |
| 1071855 | | | P-UB-10 | 2 | 3-1/2 | CTC-2281778 | 106.58 |
| 1074346 | | | P-UB-10 | 2 | 3-1/2 | CTC-2281778 | 106.58 |
| 6E0113 | | | P-UB-10 | 2 | 3-1/2 | CTC-2281778 | 106.58 |
| 9T5371 | | | P-UB-10 | 2 | 3-1/2 | CTC-2281778 | 106.58 |
| STABILIZER | | | | | | | |
| 9T2993 | | | P-UB-10 | 2-1/8 | 4 | CTC-9X2400 | 163.44 |
| 9T2994 | | | P-UB-10 | 2-1/8 | 4 | CTC-9X2400 | 163.44 |
| 5KF1-UP; 6MJ1-UP; 7FL1-UP | | | | | | | |
| 1052323 | | | P-UB-10 | 2-1/8 | 4 | CTC-2465929 | 59.30 |
| 1052358 | | | P-UB-10 | 2-1/8 | 4 | CTC-2465929 | 59.30 |
| 1164365 | | | P-UB-10 | 2-1/8 | 4 | CTC-2465929 | 59.30 |
| 1164366 | | | P-UB-10 | 2-1/8 | 4 | CTC-2465929 | 59.30 |
| 1164367 | | | P-UB-10 | 2-1/8 | 4 | CTC-2465929 | 59.30 |
| 1164368 | | | P-UB-10 | 2-1/8 | 4 | CTC-2465929 | 59.30 |
| 1165353 | | | P-UB-10 | 2-1/8 | 4 | CTC-2465929 | 59.30 |
| 1165354 | | | P-UB-10 | 2-1/8 | 4 | CTC-2465929 | 59.30 |
| 1302364 | | | P-UB-10 | 2-1/8 | 4 | CTC-2465929 | 59.30 |
| 1302365 | | | P-UB-10 | 2-1/8 | 4 | CTC-2465929 | 59.30 |
| 6E0097 | | | P-UB-10 | 2-1/8 | 4 | CTC-2465929 | 59.30 |
| 6E0099 | | | P-UB-10 | 2-1/8 | 4 | CTC-2465929 | 59.30 |
| 9T7391 | | | P-UB-10 | 2-1/8 | 4 | CTC-2465929 | 59.30 |
| 9T7392 | | | P-UB-10 | 2-1/8 | 4 | CTC-2465929 | 59.30 |
| STABILIZER RH | | | | | | | |
| 9T7069 | | | P-UB-10 | 2-1/8 | 4 | CTC-8T3593 | 97.36 |
| STEERING | | | | | | | |
| 5KF1-1552 | | | | | | | |
| 9T1493 | | | P-UB-10 | 1-7/8 | 3 | CTC-2465925 | 159.15 |
| 5KF1553-UP; 6MJ1-UP; 7FL1-UP | | | | | | | |
| 6E5190 | | | P-UB-10 | 1-7/8 | 3 | CTC-2465927 | 150.30 |
| MODEL 436C | | | | | | | |
| BACKHOE BOOM | | | | | | | |
| 1118211 | | | P-UB-10 | 2-5/8 | 5-1/4 | CTC-1361908 | 242.54 |
| 1FR1-1415; 1PR1-1598; 1RR1-997; 2AR1-1603; 2BR1-910; 8TN1-924; 9JN1-883 | | | | | | | |
| 6E1948 | Head 1213395 | | P-UB-10 | 2-1/2 | 5 | CTC-2275347 | 128.71 |
| 6E1948 | Head 6E1953 | | P-UB-10 | 2-1/2 | 5 | CTC-2430384 | 111.22 |

CATERPILLAR®

REPLACEMENT KITS FOR CATERPILLAR® EQUIPMENT

| Backhoe Loaders | | | | | | | |
|---------------------------|---|--------------------------------|---------|-------|-------|-------------|--------|
| APPLICATION | CYL # | Misc-Parts, Instructions, etc. | CODE | ROD | BORE | KIT # | |
| MODEL 436C | | | | | | | |
| BACKHOE BUCKET | | | | | | | |
| | 1118216 | | I-UB-10 | 2-3/4 | 3-3/4 | CTC-9X2020 | 149.28 |
| | 1268316 | PTFE piston seal | I-UB-10 | 2-3/4 | 3-3/4 | CTC-1945603 | 119.95 |
| | 9T6305 | | I-UB-10 | 2-3/4 | 3-3/4 | CTC-9X2020 | 149.28 |
| | 1FR1-UP; 1PR1-UP; 1RR1-1099; 2AR1-UP; 2BR1-999; 8TN1-UP; 9JN1-1049 | | | | | | |
| | 1268316 | Nylon piston seal | I-UB-10 | 2-3/4 | 3-3/4 | CTC-1939270 | 139.64 |
| BACKHOE EXT BUCKET | | | | | | | |
| | 1144828 | | I-UB-10 | 2-3/4 | 3-3/4 | CTC-9X2020 | 149.28 |
| | 6E3692 | | I-UB-10 | 2-3/4 | 3-3/4 | CTC-9X2020 | 149.28 |
| | 9T4760 | | I-UB-10 | 2-3/4 | 3-3/4 | CTC-9X2020 | 149.28 |
| BACKHOE EXT STICK | | | | | | | |
| | 6E5383 | | P-UB-10 | 1-3/4 | 3 | CTC-7X2825 | 73.65 |
| | 1FR1-1421; 1PR1-1815; 1RR1-UP; 2AR1-1874; 2BR1-UP; 8TN1-1315; 9JN1-UP | | | | | | |
| | 1535735 | | P-UB-10 | 1-1/2 | 3 | CTC-2350354 | 47.14 |
| | 1647178 | | P-UB-10 | 1-1/2 | 3 | CTC-2350354 | 47.14 |
| | 6E3662 | | P-UB-10 | 1-1/2 | 3 | CTC-2350354 | 47.14 |
| BACKHOE STICK | | | | | | | |
| | 1118213 | | P-UB-10 | 3 | 5-1/4 | CTC-3E3293 | 243.78 |
| | 1239707 | | P-UB-10 | 1-3/4 | 3 | CTC-7X2825 | 73.65 |
| | 6E1936 | | P-UB-10 | 2-3/4 | 5 | CTC-3E8878 | 249.78 |
| | 6E3062 | | P-UB-10 | 3 | 5-1/4 | CTC-3E3293 | 243.78 |
| | 6E3314 | | P-UB-10 | 3 | 5-1/4 | CTC-3E3293 | 243.78 |
| | 9T8823 | | I-U-3 | 1 | 2 | CTC-9T0418 | 125.53 |
| | 9T9186 | | P-UB-10 | 3 | 5-1/4 | CTC-3E3293 | 243.78 |
| | 1FR1-1421; 1PR1-1815; 1RR1-UP; 2AR1-1874; 2BR1-UP; 8TN1-1315; 9JN1-UP | | | | | | |
| | 6E1935 | | P-UB-10 | 2-3/4 | 5 | CTC-2440958 | 163.34 |
| BACKHOE SWING | | | | | | | |
| | 1121765 | | P-UB-10 | 2 | 4 | CTC-1113302 | 163.17 |
| | 6E5219 | | P-UB-10 | 2 | 4 | CTC-1113302 | 163.17 |
| | 1FR1-1421; 1PR1-1815; 1RR1-UP; 2AR1-1874; 2BR1-UP; 8TN1-1315; 9JN1-UP | | | | | | |
| | 1166861 | | P-UB-10 | 2 | 4 | CTC-2409538 | 94.69 |
| | 1699529 | | P-UB-10 | 2 | 4 | CTC-2409538 | 94.69 |
| BACKHOE SWING LH | | | | | | | |
| | 9T1701 | | P-UB-10 | 2-1/8 | 4 | CTC-9X2400 | 163.44 |
| BACKHOE SWING RH | | | | | | | |
| | 9T1230 | | P-UB-10 | 2-1/8 | 4 | CTC-9X2400 | 163.44 |
| COUPLER | | | | | | | |
| | 1PR1-UP; 1RR1-UP; 2AR1-UP; 2BR1-UP | | | | | | |
| | 1783713 | | I-U-10 | 1 | 2 | CTC-1809872 | 161.75 |
| LOADER BUCKET MP | | | | | | | |
| | 1FR1-1421; 1PR1-1815; 1RR1-UP; 2AR1-1874; 2BR1-UP; 8TN1-1315; 9JN1-UP | | | | | | |
| | 1851839 | | P-UB-10 | 1-1/2 | 3 | CTC-2350354 | 47.14 |
| | 9T4006 | | P-UB-10 | 1-1/2 | 3 | CTC-2350354 | 47.14 |
| LOADER LIFT | | | | | | | |
| | 1117712 | | P-UB-10 | 2-1/4 | 3-3/4 | CTC-1361897 | 184.83 |
| | 1257895 | | P-UB-10 | 2-1/4 | 3-3/4 | CTC-1361897 | 184.83 |
| | 9T2997 | | P-UB-10 | 2 | 3-3/4 | CTC-7X7938 | 143.47 |
| | 1FR1-1421; 1PR1-1815; 1RR1-UP; 2AR1-1874; 2BR1-UP; 8TN1-1315; 9JN1-UP | | | | | | |
| | 1108688 | | P-UB-10 | 2 | 3-1/2 | CTC-2281778 | 106.58 |
| | 1110888 | | P-UB-10 | 2 | 3-1/2 | CTC-2281778 | 106.58 |
| | 1216764 | | P-UB-10 | 2 | 3-1/2 | CTC-2281778 | 106.58 |
| | 1235087 | | P-UB-10 | 2 | 3-1/2 | CTC-2281778 | 106.58 |
| | 1235089 | | P-UB-10 | 2 | 3-1/2 | CTC-2281778 | 106.58 |
| LOADER TILT | | | | | | | |
| | 1007844 | | P-UB-10 | 2 | 4 | CTC-1328816 | 127.22 |
| | 9T2995 | | P-UB-10 | 2 | 4 | CTC-1328816 | 127.22 |

REPLACEMENT KITS FOR CATERPILLAR® EQUIPMENT

| Backhoe Loaders | | | | | | | |
|--|--------------|--------------------------------|---------|-------|-------|-------------|--------|
| APPLICATION | CYL # | Misc-Parts, Instructions, etc. | CODE | ROD | BORE | KIT # | |
| MODEL 436C | | | | | | | |
| LOADER TILT | | | | | | | |
| 1FR1-UP; 8TN1-UP; 9JN1-UP | | | | | | | |
| 1071855 | | | P-UB-10 | 2 | 3-1/2 | CTC-2281778 | 106.58 |
| 1074346 | | | P-UB-10 | 2 | 3-1/2 | CTC-2281778 | 106.58 |
| 1836100 | | | P-UB-10 | 2 | 3-1/2 | CTC-2281778 | 106.58 |
| 6E0113 | | | P-UB-10 | 2 | 3-1/2 | CTC-2281778 | 106.58 |
| 1PR1-UP; 1RR1-UP; 2AR1-UP; 2BR1-UP | | | | | | | |
| 1121822 | | | P-UB-10 | 2 | 3 | CTC-2384462 | 61.50 |
| 1235091 | | | P-UB-10 | 2 | 3 | CTC-2384462 | 61.50 |
| 1235093 | | | P-UB-10 | 2 | 3 | CTC-2384462 | 61.50 |
| 1835158 | | | P-UB-10 | 2 | 3 | CTC-2384462 | 61.50 |
| STABILIZER LH | | | | | | | |
| 1329701 | | | P-UB-10 | 2-1/8 | 4 | CTC-1305923 | 187.39 |
| 1521806 | | | P-UB-10 | 2-1/8 | 4 | CTC-2465929 | 59.30 |
| 9T2994 | | | P-UB-10 | 2-1/8 | 4 | CTC-1305923 | 187.39 |
| 1FR1-1415; 1PR1-1603; 1RR1-997; 2AR1-1616; 2BR1-910; 8TN1-933; 9JN1-883 | | | | | | | |
| 1311846 | Head 9T6388 | | P-UB-10 | 2-1/8 | 4 | CTC-2465929 | 59.30 |
| 1311847 | Head 9T6388 | | P-UB-10 | 2-1/8 | 4 | CTC-2465929 | 59.30 |
| 1FR1416-UP; 1PR1599-UP; 1RR998-UP; 2AR1604-UP; 2BR911-UP; 8TN925-UP; 9JN884-UP | | | | | | | |
| 1521796 | Head 1521863 | | P-UB-10 | 2-1/8 | 4 | CTC-2465928 | 233.10 |
| 1521806 | Head 1521863 | | P-UB-10 | 2-1/8 | 4 | CTC-2465928 | 233.10 |
| 1731926 | Head 1521863 | | P-UB-10 | 2-1/8 | 4 | CTC-2465928 | 233.10 |
| 1731927 | Head 1521863 | | P-UB-10 | 2-1/8 | 4 | CTC-2465928 | 233.10 |
| STABILIZER RH | | | | | | | |
| 1329700 | | | P-UB-10 | 2-1/8 | 4 | CTC-1305923 | 187.39 |
| 1521796 | | | P-UB-10 | 2-1/8 | 4 | CTC-2465929 | 59.30 |
| 9T2993 | | | P-UB-10 | 2-1/8 | 4 | CTC-1305923 | 187.39 |
| STEERING | | | | | | | |
| 1156437 | | | P-UB-10 | 1-3/4 | 2-1/2 | CTC-1539054 | 155.22 |
| 1FR1-UP; 1PR1-1598; 1RR1-UP; 2AR1-1603; 2BR1-UP; 8TN1-UP; 9JN1-UP | | | | | | | |
| 1787190 | | | I-U-10 | 36 mm | 65 mm | CTC-1787189 | 302.43 |
| 2AR1-1603; 2BR1-910; 8TN1-924; 9JN1-883 | | | | | | | |
| 1156437 | Head 6E4941 | | P-UB-10 | 1-3/4 | 2-3/4 | CTC-2350352 | 138.06 |
| 2AR1-UP; 2BR1-UP; 8TN1-UP; 9JN1-UP | | | | | | | |
| 1156437 | Head 1515349 | | P-UB-10 | 1-3/4 | 2-3/4 | CTC-2350351 | 198.90 |
| 1674235 | Head 1515349 | | P-UB-10 | 1-3/4 | 2-3/4 | CTC-2350351 | 198.90 |
| MODEL 438B | | | | | | | |
| BACKHOE BOOM | | | | | | | |
| 3DJ1-UP | | | | | | | |
| 9T5219 | | | P-UB-10 | 1-7/8 | 3-1/4 | CTC-2465926 | 60.62 |
| 3KK1-UP | | | | | | | |
| 6E0274 | | | P-UB-10 | 2-3/8 | 4-1/2 | CTC-2418924 | 104.24 |
| BACKHOE BUCKET | | | | | | | |
| 1268308 | | | I-UB-10 | 2-1/2 | 3-1/2 | CTC-3E3299 | 183.90 |
| 6E0275 | | | I-UB-10 | 2-1/2 | 3-1/2 | CTC-3E3299 | 183.90 |
| 3DJ1-UP | | | | | | | |
| 9T7288 | | | I-UB-10 | 2-3/4 | 3-3/4 | CTC-3E3314 | 235.09 |
| 3KK1-UP | | | | | | | |
| 1268312 | | | I-UB-10 | 2-3/4 | 3-3/4 | CTC-1939270 | 139.64 |
| 6E3693 | | | I-UB-10 | 2-3/4 | 3-3/4 | CTC-1939270 | 139.64 |
| BACKHOE EXT BUCKET | | | | | | | |
| 6E2421 | | | I-UB-10 | 2-3/4 | 3-3/4 | CTC-1945603 | 119.95 |
| 3KK1-2999 | | | | | | | |
| 6E2421 | | | I-UB-10 | 2-3/4 | 3-3/4 | CTC-2235944 | 108.68 |
| 3KK1-UP | | | | | | | |
| 6E1964 | | | I-UB-10 | 2-1/2 | 3-1/2 | CTC-1864327 | 95.53 |

CATERPILLAR®

REPLACEMENT KITS FOR CATERPILLAR® EQUIPMENT

| Backhoe Loaders | | | | | | | |
|--------------------------|---------|--------------------------------------|---------|-------|-------|-------------|--------|
| APPLICATION | CYL # | Misc-Parts, Instructions, etc. | CODE | ROD | BORE | KIT # | |
| MODEL 438B | | | | | | | |
| BACKHOE EXT STICK | | | | | | | |
| 3DJ1-UP; 3KK1-UP | | | | | | | |
| | 6E0404 | | P-UB-10 | 1-1/2 | 3 | CTC-2350354 | 47.14 |
| | 9T4809 | | P-UB-10 | 1-1/2 | 3 | CTC-2350354 | 47.14 |
| 3KK3000-UP | | | | | | | |
| | 6E2421 | | I-UB-10 | 2-3/4 | 3-3/4 | CTC-2235944 | 108.68 |
| BACKHOE STICK | | | | | | | |
| | 6E0290 | Rod Bearing width- 0.98" | P-UB-10 | 2-1/2 | 4-1/2 | CTC-2310898 | 103.44 |
| 3DJ1-UP | | | | | | | |
| | 6E0089 | | P-UB-10 | 2-1/2 | 4-1/4 | CTC-2422538 | 78.27 |
| | 9T7291 | | P-UB-10 | 2-1/2 | 4-1/4 | CTC-2422538 | 78.27 |
| 3KK1-2999 | | | | | | | |
| | 6E0290 | Head 6E1405; Rod Bearing width- 1.25 | P-UB-10 | 2-1/2 | 4-1/2 | CTC-2435798 | 103.74 |
| 3KK1-UP | | | | | | | |
| | 1097021 | Head 1213398 | P-UB-10 | 2-1/2 | 4-1/2 | CTC-2310898 | 103.44 |
| BACKHOE SWING | | | | | | | |
| 3DJ1-UP | | | | | | | |
| | 6E0115 | | P-UB-10 | 2-1/8 | 4 | CTC-2465929 | 59.30 |
| | 6E0117 | | P-UB-10 | 2-1/8 | 4 | CTC-2465929 | 59.30 |
| | 9T0420 | | P-UB-10 | 2-1/8 | 4 | CTC-2465929 | 59.30 |
| | 9T0421 | | P-UB-10 | 2-1/8 | 4 | CTC-2465929 | 59.30 |
| 3KK1-UP | | | | | | | |
| | 1166858 | | P-UB-10 | 2 | 4 | CTC-2409538 | 94.69 |
| | 1166861 | | P-UB-10 | 2 | 4 | CTC-2409538 | 94.69 |
| | 6E0288 | | P-UB-10 | 2 | 4 | CTC-2409538 | 94.69 |
| | 6E1864 | | P-UB-10 | 2 | 4 | CTC-2409538 | 94.69 |
| LOADER BUCKET MP | | | | | | | |
| 3DJ1-UP; 3KK1-UP | | | | | | | |
| | 9T4006 | | P-UB-10 | 1-1/2 | 3 | CTC-2350354 | 47.14 |
| LOADER LIFT | | | | | | | |
| 3DJ1-UP; 3KK1-UP | | | | | | | |
| | 1070624 | | P-UB-10 | 1-7/8 | 3-1/4 | CTC-2465926 | 60.62 |
| | 6E0103 | | P-UB-10 | 1-7/8 | 3-1/4 | CTC-2465926 | 60.62 |
| | 9T0415 | | P-UB-10 | 1-7/8 | 3-1/4 | CTC-2465926 | 60.62 |
| LOADER TILT | | | | | | | |
| 3DJ1-UP; 3KK1-UP | | | | | | | |
| | 1071855 | | P-UB-10 | 2 | 3-1/2 | CTC-2281778 | 106.58 |
| | 6E0113 | | P-UB-10 | 2 | 3-1/2 | CTC-2281778 | 106.58 |
| | 9T5371 | | P-UB-10 | 2 | 3-1/2 | CTC-2281778 | 106.58 |
| SIDESHIFT | | | | | | | |
| | 1166858 | | P-UB-10 | 2 | 4 | CTC-2409538 | 94.69 |
| SIDESHIFT RH | | | | | | | |
| | 1166858 | | P-UB-10 | 2 | 4 | CTC-2409538 | 94.69 |
| STABILIZER | | | | | | | |
| | 1266950 | Head# 1515349 | P-UB-10 | 1-3/4 | 2-3/4 | CTC-2342595 | 190.69 |
| | 6E3483 | Head# 1515349 | P-UB-10 | 1-3/4 | 2-3/4 | CTC-2342595 | 190.69 |
| 3DJ1-UP; 3KK1-UP | | | | | | | |
| | 1266950 | Head 6E4941 | P-UB-10 | 1-3/4 | 2-3/4 | CTC-2402482 | 56.36 |
| | 6E0119 | | P-UB-10 | 1-3/4 | 2-3/4 | CTC-2402482 | 56.36 |
| | 6E3483 | Head 6E4941 | P-UB-10 | 1-3/4 | 2-3/4 | CTC-2402482 | 56.36 |
| | 9T0527 | | P-UB-10 | 1-3/4 | 2-3/4 | CTC-2402482 | 56.36 |
| | 9T9709 | | P-UB-10 | 1-3/4 | 2-3/4 | CTC-2402482 | 56.36 |
| STEERING | | | | | | | |
| 3DJ1-UP | | | | | | | |
| | 9T1493 | | P-UB-10 | 1-7/8 | 3 | CTC-2465925 | 159.15 |

REPLACEMENT KITS FOR CATERPILLAR® EQUIPMENT

| Backhoe Loaders | | | | | | | |
|--|-------|--------------------------------|---------|-------|-------|-------------|--------|
| APPLICATION | CYL # | Misc-Parts, Instructions, etc. | CODE | ROD | BORE | KIT # | |
| MODEL 438C | | | | | | | |
| BACKHOE BOOM | | | | | | | |
| 1JR1107-UP; 1TR1284-UP; 2DR2717-UP; 9KN1061-UP | | | | | | | |
| 1529148 | | | P-UB-10 | 2-3/8 | 4-3/4 | CTC-2350973 | 137.14 |
| 1JR1-1106; 1TR1-1283; 2DR1-2716; 9KN1-1060 | | | | | | | |
| 6E0274 | | | P-UB-10 | 2-3/8 | 4-1/2 | CTC-2418924 | 104.24 |
| BACKHOE BUCKET | | | | | | | |
| 6E3693 | | | | | | | |
| | | | I-UB-10 | 2-3/4 | 3-3/4 | CTC-1361990 | 225.67 |
| 1JR1-UP; 1TR1-1549; 2DR1-3249; 9KN1-UP | | | | | | | |
| 1268312 | | | I-UB-10 | 2-3/4 | 3-3/4 | CTC-1939270 | 139.64 |
| BACKHOE EXT BUCKET | | | | | | | |
| 6E2421 PTFE piston seal | | | | | | | |
| | | | I-UB-10 | 2-3/4 | 3-3/4 | CTC-1945603 | 119.95 |
| 1JR1-1155; 1TR1-2096; 2DR1-3741; 9KN1-1418 | | | | | | | |
| 1668141 | | | I-UB-10 | 2-3/4 | 3-3/4 | CTC-1939270 | 139.64 |
| 6E2421 Nylon piston seal | | | | | | | |
| | | | I-UB-10 | 2-3/4 | 3-3/4 | CTC-1939270 | 139.64 |
| 1JR1-UP; 1TR1-1549; 2DR1-3249; 9KN1-UP | | | | | | | |
| 6E1964 | | | I-UB-10 | 2-1/2 | 3-1/2 | CTC-1864327 | 95.53 |
| BACKHOE EXT STICK | | | | | | | |
| 1JR1-1155; 1TR1-2096; 2DR1-3741; 9KN1-1418 | | | | | | | |
| 1647174 | | | P-UB-10 | 1-1/2 | 3 | CTC-2350354 | 47.14 |
| 6E0404 | | | P-UB-10 | 1-1/2 | 3 | CTC-2350354 | 47.14 |
| BACKHOE STICK | | | | | | | |
| 1JR1107-UP; 1TR1374-UP; 2DR3157-UP; 9KN1061-UP | | | | | | | |
| 1734015 | | Head 1843711 | P-UB-10 | 2-1/2 | 4-1/2 | CTC-2435805 | 100.86 |
| 1JR1-1155; 1TR1-2096; 2DR1-3741; 9KN1-1418 | | | | | | | |
| 1097021 | | Head 1213398 or 1747432 | P-UB-10 | 2-1/2 | 4-1/2 | CTC-2310898 | 103.44 |
| 1734015 | | Head 1213398 or 1747432 | P-UB-10 | 2-1/2 | 4-1/2 | CTC-2310898 | 103.44 |
| BACKHOE SWING | | | | | | | |
| 1JR1-1155; 1TR1-2096; 2DR1-3741; 9KN1-1418 | | | | | | | |
| 1166858 | | | P-UB-10 | 2 | 4 | CTC-2409538 | 94.69 |
| 1166861 | | | P-UB-10 | 2 | 4 | CTC-2409538 | 94.69 |
| 1699529 | | | P-UB-10 | 2 | 4 | CTC-2409538 | 94.69 |
| 1699530 | | | P-UB-10 | 2 | 4 | CTC-2409538 | 94.69 |
| COUPLER | | | | | | | |
| 1TR1-UP; 2DR1-UP | | | | | | | |
| 1783713 | | | I-U-10 | 1 | 2 | CTC-1809872 | 161.75 |
| LOADER BUCKET MP | | | | | | | |
| 1JR1-1155; 1TR1-2096; 2DR1-3741; 9KN1-1418 | | | | | | | |
| 1851839 | | | P-UB-10 | 1-1/2 | 3 | CTC-2350354 | 47.14 |
| 9T4006 | | | P-UB-10 | 1-1/2 | 3 | CTC-2350354 | 47.14 |
| LOADER LIFT | | | | | | | |
| 1JR1-UP; 9KN1-UP | | | | | | | |
| 1070624 | | | P-UB-10 | 1-7/8 | 3-1/4 | CTC-2465926 | 60.62 |
| 6E0103 | | | P-UB-10 | 1-7/8 | 3-1/4 | CTC-2465926 | 60.62 |
| 9T0415 | | | P-UB-10 | 1-7/8 | 3-1/4 | CTC-2465926 | 60.62 |
| 1TR1-UP; 2DR1-UP | | | | | | | |
| 1110888 | | | P-UB-10 | 2 | 3-1/2 | CTC-2281778 | 106.58 |
| 1235089 | | | P-UB-10 | 2 | 3-1/2 | CTC-2281778 | 106.58 |
| LOADER TILT | | | | | | | |
| 1JR1-UP; 9KN1-UP | | | | | | | |
| 1071855 | | | P-UB-10 | 2 | 3-1/2 | CTC-2281778 | 106.58 |
| 1074346 | | | P-UB-10 | 2 | 3-1/2 | CTC-2281778 | 106.58 |
| 1836100 | | | P-UB-10 | 2 | 3-1/2 | CTC-2281778 | 106.58 |
| 6E0113 | | | P-UB-10 | 2 | 3-1/2 | CTC-2281778 | 106.58 |

REPLACEMENT KITS FOR CATERPILLAR® EQUIPMENT

| Backhoe Loaders | | | | | | | |
|--|---------|--------------------------------|---------|-------|-------|-------------|--------|
| APPLICATION | CYL # | Misc-Parts, Instructions, etc. | CODE | ROD | BORE | KIT # | |
| MODEL 438C | | | | | | | |
| LOADER TILT | | | | | | | |
| 1TR1-UP; 2DR1-UP | | | | | | | |
| | 1121822 | | P-UB-10 | 2 | 3 | CTC-2384462 | 61.50 |
| | 1235091 | | P-UB-10 | 2 | 3 | CTC-2384462 | 61.50 |
| | 1235093 | | P-UB-10 | 2 | 3 | CTC-2384462 | 61.50 |
| | 1835158 | | P-UB-10 | 2 | 3 | CTC-2384462 | 61.50 |
| SIDESHIFT | | | | | | | |
| | 1166858 | | P-UB-10 | 2 | 4 | CTC-2409538 | 94.69 |
| SIDESHIFT RH | | | | | | | |
| | 1166858 | | P-UB-10 | 2 | 4 | CTC-2409538 | 94.69 |
| STABILIZER | | | | | | | |
| 1JR1107-UP; 1TR1-UP; 2DR1-UP; 9KN1061-UP | | | | | | | |
| | 1266950 | Head 1515349 | P-UB-10 | 1-3/4 | 2-3/4 | CTC-2342595 | 190.69 |
| | 1734565 | Head 1515349 | P-UB-10 | 1-3/4 | 2-3/4 | CTC-2342595 | 190.69 |
| 1JR1-1149; 1TR1-1549; 2DR1-3249; 9KN1-1199 | | | | | | | |
| | 1266950 | Head 6E4941 | P-UB-10 | 1-3/4 | 2-3/4 | CTC-2402482 | 56.36 |
| STEERING | | | | | | | |
| 1JR1-1155; 1TR1-2096; 2DR1-3741; 9KN1-1418 | | | | | | | |
| | 1787190 | | I-U-10 | 36 mm | 65 mm | CTC-1787189 | 302.43 |
| UNSPECIFIED APPLICATION | | | | | | | |
| | 1235087 | | P-UB-10 | 2 | 3-1/2 | CTC-7X2783 | 141.24 |
| | 9T8823 | | I-U-3 | 1 | 2 | CTC-9T0418 | 125.53 |
| MODEL 438D | | | | | | | |
| BACKHOE BOOM | | | | | | | |
| BPE1-742; BPN1-549 | | | | | | | |
| | | | P-UB-10 | 2-3/8 | 4-3/4 | CTC-2350973 | 137.14 |
| BACKHOE BUCKET | | | | | | | |
| BPE1-742; BPN1-549 | | | | | | | |
| | 1668140 | | I-UB-10 | 2-3/4 | 3-3/4 | CTC-1939270 | 139.64 |
| | 1668141 | | I-UB-10 | 2-3/4 | 3-3/4 | CTC-1939270 | 139.64 |
| | 1804849 | | I-UB-10 | 2-1/2 | 3-1/2 | CTC-2235945 | 90.88 |
| | 1917835 | | I-UB-10 | 2-3/4 | 3-3/4 | CTC-2315021 | 101.67 |
| | 1917839 | | I-UB-10 | 2-3/4 | 3-3/4 | CTC-2315021 | 101.67 |
| BACKHOE EXT STICK | | | | | | | |
| BPE1-511; BPN1-364 | | | | | | | |
| | 1647174 | | P-UB-10 | 1-1/2 | 3 | CTC-2350354 | 47.14 |
| BACKHOE STICK | | | | | | | |
| BPE1-511; BPN1-364 | | | | | | | |
| | | | P-UB-10 | 2-1/2 | 4-1/2 | CTC-2435805 | 100.86 |
| BPE512-UP; BPN365-UP | | | | | | | |
| | | | P-UB-10 | 2-1/2 | 4-1/2 | CTC-2297194 | 75.66 |
| BACKHOE SWING | | | | | | | |
| BPE1-511; BPN1-364 | | | | | | | |
| | 1699529 | | P-UB-10 | 2 | 4 | CTC-2409538 | 94.69 |
| | 1699530 | | P-UB-10 | 2 | 4 | CTC-2409538 | 94.69 |
| BPE512-UP; BPN365-UP | | | | | | | |
| | | | P-UB-10 | 2 | 4 | CTC-2618625 | 64.19 |
| LOADER BUCKET MP | | | | | | | |
| BPE1-742; BPN1-549 | | | | | | | |
| | 1851839 | | P-UB-10 | 1-1/2 | 3 | CTC-2350354 | 47.14 |
| LOADER LIFT | | | | | | | |
| BPE1-511; BPN1-364 | | | | | | | |
| | 1807490 | | P-UB-10 | 2 | 85 mm | CTC-2410110 | 169.26 |
| BPE512-UP; BPN365-UP | | | | | | | |
| | | | P-UB-10 | 2 | 85 mm | CTC-2600273 | 131.34 |

REPLACEMENT KITS FOR CATERPILLAR® EQUIPMENT

| Backhoe Loaders | | | | | | | |
|--|---------|--------------------------------|---------|-------|-------|-------------|--------|
| APPLICATION | CYL # | Misc-Parts, Instructions, etc. | CODE | ROD | BORE | KIT # | |
| MODEL 438D | | | | | | | |
| LOADER TILT | | | | | | | |
| BPE1-511; BPN1-364 | | | | | | | |
| | 1832848 | | P-UB-10 | 2 | 75 mm | CTC-2410109 | 125.15 |
| BPE512-UP; BPN365-UP | | | | | | | |
| | | | P-UB-10 | 2 | 75 mm | CTC-2617175 | 109.80 |
| STABILIZER | | | | | | | |
| BPE1-742; BPN1-549 | | | | | | | |
| | 1734565 | | P-UB-10 | 1-3/4 | 2-3/4 | CTC-2342595 | 190.69 |
| STEERING | | | | | | | |
| BPE1-742; BPN1-549 | | | | | | | |
| | 1787190 | | I-U-10 | 36 mm | 65 mm | CTC-1787189 | 302.43 |
| MODEL 442D | | | | | | | |
| BACKHOE BOOM | | | | | | | |
| BRG1-1122; BRY1-890; SMJ1-UP; TBD1-UP | | | | | | | |
| | | | P-UB-10 | 2-3/8 | 4-3/4 | CTC-2350973 | 137.14 |
| BACKHOE BUCKET | | | | | | | |
| BRG1-1122; BRY1-890; SMJ1-UP; TBD1-UP | | | | | | | |
| | 1804849 | | I-UB-10 | 2-1/2 | 3-1/2 | CTC-2235945 | 90.88 |
| | 1917835 | | I-UB-10 | 2-3/4 | 3-3/4 | CTC-2315021 | 101.67 |
| | 1917839 | | I-UB-10 | 2-3/4 | 3-3/4 | CTC-2315021 | 101.67 |
| BRG1-827; BRY1-746 | | | | | | | |
| | 1668140 | | I-UB-10 | 2-3/4 | 3-3/4 | CTC-1939270 | 139.64 |
| | 1668141 | | I-UB-10 | 2-3/4 | 3-3/4 | CTC-1939270 | 139.64 |
| BACKHOE EXT STICK | | | | | | | |
| BRG1-649; BRY1-623 | | | | | | | |
| | 1647174 | | P-UB-10 | 1-1/2 | 3 | CTC-2350354 | 47.14 |
| BACKHOE STICK | | | | | | | |
| BRG1-649; BRY1-623 | | | | | | | |
| | | | P-UB-10 | 2-1/2 | 4-1/2 | CTC-2435805 | 100.86 |
| BRG650-UP; BRY624-UP; SMJ1-UP; TBD1-UP | | | | | | | |
| | | | P-UB-10 | 2-1/2 | 4-1/2 | CTC-2297194 | 75.66 |
| BACKHOE SWING | | | | | | | |
| BRG1-649; BRY1-623 | | | | | | | |
| | 1699529 | | P-UB-10 | 2 | 4 | CTC-2409538 | 94.69 |
| | 1699530 | | P-UB-10 | 2 | 4 | CTC-2409538 | 94.69 |
| BRG650-UP; BRY624-UP; SMJ1-233; TBD1-287 | | | | | | | |
| | | | P-UB-10 | 2 | 4 | CTC-2618625 | 64.19 |
| COUPLER | | | | | | | |
| BRG1-1122; BRY1-890; SMJ1-UP; TBD1-UP | | | | | | | |
| | | | I-U-10 | 1 | 2 | CTC-1809872 | 161.75 |
| LOADER BUCKET MP | | | | | | | |
| BRG1-1122; BRY1-890; SMJ1-UP; TBD1-UP | | | | | | | |
| | 1851839 | | P-UB-10 | 1-1/2 | 3 | CTC-2350354 | 47.14 |
| LOADER LIFT | | | | | | | |
| BRG1-649; BRY1-623 | | | | | | | |
| | 1807490 | | P-UB-10 | 2 | 85 mm | CTC-2410110 | 169.26 |
| BRG650-UP; BRY624-UP; SMJ1-UP; TBD1-UP | | | | | | | |
| | | | P-UB-10 | 2 | 85 mm | CTC-2600273 | 131.34 |
| LOADER TILT | | | | | | | |
| BRG1-649; BRY1-623 | | | | | | | |
| | 1832848 | | P-UB-10 | 2 | 75 mm | CTC-2410109 | 125.15 |
| BRG650-UP; BRY624-UP; SMJ1-UP; TBD1-UP | | | | | | | |
| | | | P-UB-10 | 2 | 75 mm | CTC-2617175 | 109.80 |
| STABILIZER | | | | | | | |
| BRG1-1122; BRY1-890; SMJ1-UP; TBD1-UP | | | | | | | |
| | 1734565 | | P-UB-10 | 1-3/4 | 2-3/4 | CTC-2342595 | 190.69 |

CATERPILLAR®

REPLACEMENT KITS FOR CATERPILLAR® EQUIPMENT

| Backhoe Loaders | | | | | | | |
|--------------------------|---------|--------------------------------|---------|-------|-------|-------------|--------|
| APPLICATION | CYL # | Misc-Parts, Instructions, etc. | CODE | ROD | BORE | KIT # | |
| MODEL 442D | | | | | | | |
| STEERING | | | | | | | |
| | | BRG1-UP; BRY1-UP | | | | | |
| | 1787190 | | I-U-10 | 36 mm | 65 mm | CTC-1787189 | 302.43 |
| MODEL 442E | | | | | | | |
| BACKHOE BOOM | | | | | | | |
| | | GKZ1-UP; PCR1-UP | | | | | |
| | | | P-UB-10 | 3 | 5-1/4 | CTC-3769015 | 195.82 |
| BACKHOE BUCKET | | | | | | | |
| | | GKZ1-UP; PCR1-UP | | | | | |
| | | | I-UB-10 | 2-3/4 | 3-3/4 | CTC-3651342 | 147.95 |
| BACKHOE EXT STICK | | | | | | | |
| | | GKZ1-UP; PCR1-UP | | | | | |
| | | | P-UB-10 | 1-1/2 | 3 | CTC-3387156 | 55.77 |
| | | | P-UB-10 | 2-1/2 | 5 | CTC-3653007 | 160.56 |
| BACKHOE STICK | | | | | | | |
| | | GKZ1-UP; PCR1-UP | | | | | |
| | | | P-UB-10 | 2-1/2 | 5 | CTC-3653007 | 160.56 |
| COUPLER | | | | | | | |
| | | EME1-UP; GKZ1-UP; PCR1-UP | | | | | |
| | | | I-U-10 | 1 | 2 | CTC-1809872 | 161.75 |
| LOADER BUCKET MP | | | | | | | |
| | | EME1-UP; PCR1-UP | | | | | |
| | | | I-U-10 | 1-1/2 | 3 | CTC-2309357 | 76.03 |
| | | GKZ1-UP | | | | | |
| | | | P-UB-10 | 1-1/2 | 3 | CTC-2350354 | 47.14 |
| LOADER LIFT | | | | | | | |
| | | GKZ1-UP; PCR1-UP | | | | | |
| | | | P-UB-10 | 2 | 85 mm | CTC-2600273 | 131.34 |
| LOADER TILT | | | | | | | |
| | | GKZ1-UP; PCR1-UP | | | | | |
| | | | P-UB-10 | 2 | 75 mm | CTC-2617175 | 109.80 |
| STABILIZER | | | | | | | |
| | | GKZ1-UP; PCR1-UP | | | | | |
| | | | P-UB-10 | 1-3/4 | 2-3/4 | CTC-2342595 | 190.69 |
| MODEL 444E | | | | | | | |
| BACKHOE BOOM | | | | | | | |
| | | HXB1-UP; LBE1-UP | | | | | |
| | | | P-UB-10 | 3 | 5-1/4 | CTC-3769015 | 195.82 |
| BACKHOE BUCKET | | | | | | | |
| | | HXB1-UP; LBE1-UP | | | | | |
| | | | I-UB-10 | 2-3/4 | 3-3/4 | CTC-3651342 | 147.95 |
| BACKHOE EXT STICK | | | | | | | |
| | | HXB1-UP; LBE1-UP | | | | | |
| | | | P-UB-10 | 2-1/2 | 5 | CTC-3653007 | 160.56 |
| | | HXB1-UP; LBE1-UP; NBA1-UP | | | | | |
| | | | P-UB-10 | 1-1/2 | 3 | CTC-3387156 | 55.77 |
| BACKHOE STICK | | | | | | | |
| | | HXB1-UP; LBE1-UP | | | | | |
| | | | P-UB-10 | 2-1/2 | 5 | CTC-3653007 | 160.56 |
| COUPLER | | | | | | | |
| | | HXB1-UP; LBE1-UP; NBA1-UP | | | | | |
| | | | I-U-10 | 1 | 2 | CTC-1809872 | 161.75 |
| LOADER BUCKET MP | | | | | | | |
| | | HXB1-UP; NBA1-UP | | | | | |
| | | | I-U-10 | 1-1/2 | 3 | CTC-2309357 | 76.03 |

REPLACEMENT KITS FOR CATERPILLAR® EQUIPMENT

| Backhoe Loaders | | | | | | | |
|--------------------|---------------------------|--------------------------------|---------|-------|-------|-------------|--------|
| APPLICATION | CYL # | Misc-Parts, Instructions, etc. | CODE | ROD | BORE | KIT # | |
| MODEL 444E | | | | | | | |
| LOADER BUCKET MP | | | | | | | |
| | LBE1-UP | | | | | | |
| | | | P-UB-10 | 1-1/2 | 3 | CTC-2350354 | 47.14 |
| STABILIZER | | | | | | | |
| | HXB1-UP; LBE1-UP | | | | | | |
| | | | P-UB-10 | 1-3/4 | 2-3/4 | CTC-2342595 | 190.69 |
| STEERING | | | | | | | |
| | HXB1-UP; LBE1-UP; NBA1-UP | | | | | | |
| | | | I-U-10 | 42 mm | 85 mm | CTC-2807013 | 172.07 |
| MODEL 444F | | | | | | | |
| COUPLER | | | | | | | |
| | FBN1-UP; LJJ1-UP | | | | | | |
| | | | I-U-10 | 1 | 2 | CTC-1809872 | 161.75 |
| | LJJ1-UP | | | | | | |
| | | | I-U-15 | 3/4 | 1-1/4 | CTC-3611131 | 56.90 |
| LOADER BUCKET MP | | | | | | | |
| | FBN1-UP; LJJ1-UP | | | | | | |
| | | | I-U-10 | 1-1/2 | 3 | CTC-2309357 | 76.03 |
| MODEL 446 | | | | | | | |
| BACKHOE BOOM | | | | | | | |
| | 5BL1-UP; 6XF1-UP | | | | | | |
| | 1118211 | | P-UB-10 | 2-5/8 | 5-1/4 | CTC-2350970 | 146.58 |
| | 9T6385 | | P-UB-10 | 2-5/8 | 5-1/4 | CTC-2350970 | 146.58 |
| BACKHOE BUCKET | | | | | | | |
| | 9T6305 | PTFE piston seal | I-UB-10 | 2-3/4 | 3-3/4 | CTC-1945603 | 119.95 |
| | 5BL1-UP; 6XF1-UP | | | | | | |
| | 1118217 | | I-UB-10 | 2-3/4 | 3-3/4 | CTC-1939270 | 139.64 |
| | 1628063 | | I-UB-10 | 2-3/4 | 3-3/4 | CTC-1939270 | 139.64 |
| | 9T6305 | Nylon piston seal | I-UB-10 | 2-3/4 | 3-3/4 | CTC-1939270 | 139.64 |
| BACKHOE EXT BUCKET | | | | | | | |
| | 1144828 | PTFE piston seal | I-UB-10 | 2-3/4 | 3-3/4 | CTC-1945603 | 119.95 |
| BACKHOE EXT STICK | | | | | | | |
| | 5BL1-UP; 6XF1-UP | | | | | | |
| | 1144828 | Nylon piston seal | I-UB-10 | 2-3/4 | 3-3/4 | CTC-1939270 | 139.64 |
| | 1239707 | | P-UB-10 | 1-3/4 | 3 | CTC-2275350 | 45.88 |
| | 6E5383 | | P-UB-10 | 1-3/4 | 3 | CTC-2275350 | 45.88 |
| | 9T2107 | | P-UB-10 | 1-3/4 | 3 | CTC-2275350 | 45.88 |
| | 9T4760 | | I-UB-10 | 2-3/4 | 3-3/4 | CTC-1939270 | 139.64 |
| BACKHOE STICK | | | | | | | |
| | 1118213 | | P-UB-10 | 3 | 5-1/4 | CTC-3E3293 | 243.78 |
| | 6E3062 | | P-UB-10 | 3 | 5-1/4 | CTC-3E3293 | 243.78 |
| | 6E3314 | | P-UB-10 | 3 | 5-1/4 | CTC-3E3293 | 243.78 |
| | 9T9186 | | P-UB-10 | 3 | 5-1/4 | CTC-3E3293 | 243.78 |
| | 5BL1-UP; 6XF1-UP | | | | | | |
| | | | P-UB-10 | 3 | 5-1/4 | CTC-2281776 | 148.68 |
| BACKHOE SWING | | | | | | | |
| | 5BL1-UP | | | | | | |
| | 1121765 | | P-UB-10 | 2 | 4 | CTC-2409538 | 94.69 |
| | 1699531 | | P-UB-10 | 2 | 4 | CTC-2409538 | 94.69 |
| | 6E5219 | | P-UB-10 | 2 | 4 | CTC-2409538 | 94.69 |
| | 6XF1-UP | | | | | | |
| | 9T1230 | | P-UB-10 | 2-1/8 | 4 | CTC-2465929 | 59.30 |
| | 9T1701 | PTFE piston seal | P-UB-10 | 2-1/8 | 4 | CTC-2465929 | 59.30 |
| BACKHOE SWING LH | | | | | | | |
| | 9T1701 | Nylon piston seal | P-UB-10 | 2-1/8 | 4 | CTC-2465931 | 205.10 |

CATERPILLAR®

REPLACEMENT KITS FOR CATERPILLAR® EQUIPMENT

| Backhoe Loaders | | | | | | | |
|---------------------------|---------|--------------------------------|----------|-------|-------|-------------|--------|
| APPLICATION | CYL # | Misc-Parts, Instructions, etc. | CODE | ROD | BORE | KIT # | |
| MODEL 446 | | | | | | | |
| BACKHOE SWING RH | | | | | | | |
| | 9T1230 | Nylon piston seal | P-UB-10 | 2-1/8 | 4 | CTC-2465931 | 205.10 |
| LOADER BUCKET MP | | | | | | | |
| 5BL1-UP | | | | | | | |
| | 6Q2195 | | I,P-U-15 | 1-1/2 | 3-1/2 | CTC-6Q2203 | 78.77 |
| 5BL2500-UP | | | | | | | |
| | | | P-UB-10 | 1-3/4 | 3-1/2 | CTC-2401881 | 98.74 |
| | | | I-U-10 | 40 mm | 3-1/2 | CTC-2711529 | 34.20 |
| LOADER LIFT | | | | | | | |
| 5BL1-499; 6XF1-UP | | | | | | | |
| | 9T2997 | | P-UB-10 | 2 | 3-3/4 | CTC-2409518 | 210.41 |
| 5BL500-UP | | | | | | | |
| | 1117712 | | P-UB-10 | 2-1/4 | 3-3/4 | CTC-2350969 | 228.34 |
| | 1257895 | | P-UB-10 | 2-1/4 | 3-3/4 | CTC-2350969 | 228.34 |
| LOADER TILT | | | | | | | |
| | 1007844 | Nylon piston seal | P-UB-10 | 2 | 4 | CTC-2409538 | 94.69 |
| | 9T2995 | Nylon piston seal | P-UB-10 | 2 | 4 | CTC-2409538 | 94.69 |
| 5BL1-UP; 6XF1-UP | | | | | | | |
| | 1007844 | PTFE piston seal | P-UB-10 | 2 | 4 | CTC-2339205 | 59.01 |
| | 9T2995 | PTFE piston seal | P-UB-10 | 2 | 4 | CTC-2339205 | 59.01 |
| STABILIZER | | | | | | | |
| | 9T2993 | Nylon piston seal | P-UB-10 | 2-1/8 | 4 | CTC-2465931 | 205.10 |
| | 9T2994 | Nylon piston seal | P-UB-10 | 2-1/8 | 4 | CTC-2465931 | 205.10 |
| 5BL1-2933; 6XF1-UP | | | | | | | |
| | 1329700 | | P-UB-10 | 2-1/8 | 4 | CTC-2465929 | 59.30 |
| | 1329701 | | P-UB-10 | 2-1/8 | 4 | CTC-2465929 | 59.30 |
| | 9T2993 | PTFE piston seal | P-UB-10 | 2-1/8 | 4 | CTC-2465929 | 59.30 |
| | 9T2994 | PTFE piston seal | P-UB-10 | 2-1/8 | 4 | CTC-2465929 | 59.30 |
| 5BL2934-UP | | | | | | | |
| | | | P-UB-10 | 2-1/2 | 4 | CTC-2341949 | 67.52 |
| STABILIZER LH | | | | | | | |
| | 1329701 | | P-UB-10 | 2-1/8 | 4 | CTC-1305923 | 187.39 |
| | 9T2994 | PTFE piston seal | P-UB-10 | 2-1/8 | 4 | CTC-2465929 | 59.30 |
| STABILIZER RH | | | | | | | |
| | 1329700 | | P-UB-10 | 2-1/8 | 4 | CTC-1305923 | 187.39 |
| | 9T2993 | PTFE piston seal | P-UB-10 | 2-1/8 | 4 | CTC-2465929 | 59.30 |
| STEERING | | | | | | | |
| 5BL1-UP; 6XF1-UP | | | | | | | |
| | 9T1834 | | P-UB-10 | 2-1/8 | 3-1/4 | CTC-9X2031 | 299.47 |
| MODEL 446B | | | | | | | |
| BACKHOE BOOM | | | | | | | |
| 5BL1-UP; 6XF1-UP | | | | | | | |
| | 1118211 | | P-UB-10 | 2-5/8 | 5-1/4 | CTC-2350970 | 146.58 |
| | 9T6385 | | P-UB-10 | 2-5/8 | 5-1/4 | CTC-2350970 | 146.58 |
| BACKHOE BUCKET | | | | | | | |
| | 1118217 | PTFE piston seal | I-UB-10 | 2-3/4 | 3-3/4 | CTC-1945603 | 119.95 |
| | 9T6305 | PTFE piston seal | I-UB-10 | 2-3/4 | 3-3/4 | CTC-1945603 | 119.95 |
| 5BL1-UP; 6XF1-UP | | | | | | | |
| | 1118217 | Nylon piston seal | I-UB-10 | 2-3/4 | 3-3/4 | CTC-1939270 | 139.64 |
| | 1628063 | Nylon piston seal | I-UB-10 | 2-3/4 | 3-3/4 | CTC-1939270 | 139.64 |
| | 9T6305 | Nylon piston seal | I-UB-10 | 2-3/4 | 3-3/4 | CTC-1939270 | 139.64 |
| BACKHOE EXT BUCKET | | | | | | | |
| | 1144828 | PTFE piston seal | I-UB-10 | 2-3/4 | 3-3/4 | CTC-1945603 | 119.95 |
| | 9T4760 | PTFE piston seal | I-UB-10 | 2-3/4 | 3-3/4 | CTC-1945603 | 119.95 |

REPLACEMENT KITS FOR CATERPILLAR® EQUIPMENT

| Backhoe Loaders | | | | | | | |
|--------------------|---------|--------------------------------|----------|-------|-------|-------------|--------|
| APPLICATION | CYL # | Misc-Parts, Instructions, etc. | CODE | ROD | BORE | KIT # | |
| MODEL 446B | | | | | | | |
| BACKHOE EXT STICK | | | | | | | |
| 5BL1-UP; 6XF1-UP | | | | | | | |
| | 1144828 | Nylon piston seal | I-UB-10 | 2-3/4 | 3-3/4 | CTC-1939270 | 139.64 |
| | 1239707 | | P-UB-10 | 1-3/4 | 3 | CTC-2275350 | 45.88 |
| | 6E5383 | | P-UB-10 | 1-3/4 | 3 | CTC-2275350 | 45.88 |
| | 9T2107 | | P-UB-10 | 1-3/4 | 3 | CTC-2275350 | 45.88 |
| | 9T4760 | | I-UB-10 | 2-3/4 | 3-3/4 | CTC-1939270 | 139.64 |
| BACKHOE STICK | | | | | | | |
| | 1118213 | | P-UB-10 | 3 | 5-1/4 | CTC-3E3293 | 243.78 |
| | 1239707 | | P-UB-10 | 1-3/4 | 3 | CTC-7X2825 | 73.65 |
| | 6E3062 | | P-UB-10 | 3 | 5-1/4 | CTC-3E3293 | 243.78 |
| | 6E3314 | | P-UB-10 | 3 | 5-1/4 | CTC-3E3293 | 243.78 |
| | 9T9186 | | P-UB-10 | 3 | 5-1/4 | CTC-3E3293 | 243.78 |
| 5BL1-UP; 6XF1-UP | | | | | | | |
| | | | P-UB-10 | 3 | 5-1/4 | CTC-2281776 | 148.68 |
| BACKHOE SWING | | | | | | | |
| 5BL1-UP | | | | | | | |
| | 1121765 | | P-UB-10 | 2 | 4 | CTC-2409538 | 94.69 |
| | 1699531 | | P-UB-10 | 2 | 4 | CTC-2409538 | 94.69 |
| | 6E5219 | | P-UB-10 | 2 | 4 | CTC-2409538 | 94.69 |
| 6XF1-UP | | | | | | | |
| | 9T1230 | PTFE piston seal | P-UB-10 | 2-1/8 | 4 | CTC-2465929 | 59.30 |
| | 9T1701 | PTFE piston seal | P-UB-10 | 2-1/8 | 4 | CTC-2465929 | 59.30 |
| BACKHOE SWING LH | | | | | | | |
| | 9T1701 | Nylon piston seal | P-UB-10 | 2-1/8 | 4 | CTC-2465931 | 205.10 |
| BACKHOE SWING RH | | | | | | | |
| | 9T1230 | Nylon piston seal | P-UB-10 | 2-1/8 | 4 | CTC-2465931 | 205.10 |
| LOADER BUCKET MP | | | | | | | |
| 5BL1-UP | | | | | | | |
| | 6Q2195 | | I,P-U-15 | 1-1/2 | 3-1/2 | CTC-6Q2203 | 78.77 |
| 5BL2500-UP | | | | | | | |
| | | | P-UB-10 | 1-3/4 | 3-1/2 | CTC-2401881 | 98.74 |
| | | | I-U-10 | 40 mm | 3-1/2 | CTC-2711529 | 34.20 |
| LOADER LIFT | | | | | | | |
| 5BL1-499; 6XF1-UP | | | | | | | |
| | 9T2997 | | P-UB-10 | 2 | 3-3/4 | CTC-2409518 | 210.41 |
| 5BL500-UP | | | | | | | |
| | 1117712 | | P-UB-10 | 2-1/4 | 3-3/4 | CTC-2350969 | 228.34 |
| | 1257895 | | P-UB-10 | 2-1/4 | 3-3/4 | CTC-2350969 | 228.34 |
| LOADER TILT | | | | | | | |
| | 1007844 | Nylon piston seal | P-UB-10 | 2 | 4 | CTC-2409538 | 94.69 |
| 5BL1-UP; 6XF1-UP | | | | | | | |
| | 1007844 | | P-UB-10 | 2 | 4 | CTC-2339205 | 59.01 |
| | 9T2995 | | P-UB-10 | 2 | 4 | CTC-2339205 | 59.01 |
| SIDESHIFT | | | | | | | |
| | 1121765 | | P-UB-10 | 2 | 4 | CTC-1113302 | 163.17 |
| STABILIZER LH | | | | | | | |
| 5BL1-2933; 6XF1-UP | | | | | | | |
| | 1329700 | | P-UB-10 | 2-1/8 | 4 | CTC-2465929 | 59.30 |
| | 1329701 | | P-UB-10 | 2-1/8 | 4 | CTC-2465929 | 59.30 |
| | 9T2993 | | P-UB-10 | 2-1/8 | 4 | CTC-2465929 | 59.30 |
| | 9T2994 | | P-UB-10 | 2-1/8 | 4 | CTC-2465929 | 59.30 |
| 5BL2934-UP | | | | | | | |
| | | | P-UB-10 | 2-1/2 | 4 | CTC-2341949 | 67.52 |

REPLACEMENT KITS FOR CATERPILLAR® EQUIPMENT

| Backhoe Loaders | | | | | | | |
|-------------------|------------------|--------------------------------|----------|-------|--------|--------------|--------|
| APPLICATION | CYL # | Misc-Parts, Instructions, etc. | CODE | ROD | BORE | KIT # | |
| MODEL 446B | | | | | | | |
| STEERING | | | | | | | |
| | 5BL1-UP; 6XF1-UP | | | | | | |
| | 9T1834 | | P-UB-10 | 2-1/8 | 3-1/4 | CTC-9X2031 | 299.47 |
| MODEL 446D | | | | | | | |
| BACKHOE BOOM | | | | | | | |
| | DBL1-UP | | | | | | |
| | 1118211 | | P-UB-10 | 2-5/8 | 5-1/4 | CTC-2350970 | 146.58 |
| BACKHOE BUCKET | | | | | | | |
| | DBL1-UP | | | | | | |
| | 2406029 | | I-UB-10 | 2-3/4 | 3-3/4 | CTC-2315021 | 101.67 |
| | 2406030 | | I-UB-10 | 2-3/4 | 3-3/4 | CTC-2315021 | 101.67 |
| BACKHOE EXT STICK | | | | | | | |
| | DBL1-UP | | | | | | |
| | 2424278 | | P-UB-10 | 1-3/4 | 3 | CTC-2342594 | 54.02 |
| BACKHOE STICK | | | | | | | |
| | DBL1-UP | | | | | | |
| | 1118213 | | P-UB-10 | 3 | 5-1/4 | CTC-2281776 | 148.68 |
| BACKHOE SWING | | | | | | | |
| | DBL1-426 | | | | | | |
| | 1699531 | | P-UB-10 | 2 | 4 | CTC-2409538 | 94.69 |
| | DBL427-UP | | | | | | |
| | 2514296 | | P-UB-10 | 50 mm | 100 mm | CTC-2332622 | 85.34 |
| LOADER BUCKET MP | | | | | | | |
| | DBL1-UP | | | | | | |
| | 2265540 | | I-U-10 | 1-1/2 | 3 | CTC-2309357 | 76.03 |
| | 2429893 | | P-UB-10 | 1-3/4 | 3-1/2 | CTC-2401881 | 98.74 |
| | 2681322 | | I-U-10 | 40 mm | 3-1/2 | CTC-2711529 | 34.20 |
| | 6Q2195 | | I,P-U-15 | 1-1/2 | 3-1/2 | CTC-6Q2203 | 78.77 |
| LOADER LIFT | | | | | | | |
| | DBL1-UP | | | | | | |
| | 1257895 | | P-UB-10 | 2-1/4 | 3-3/4 | CTC-2350969 | 228.34 |
| LOADER TILT | | | | | | | |
| | DBL1-UP | | | | | | |
| | 1007844 | | P-UB-10 | 2 | 4 | CTC-2339205 | 59.01 |
| STABILIZER | | | | | | | |
| | DBL1-UP | | | | | | |
| | 1978079 | | P-UB-10 | 2-1/2 | 4 | CTC-2341949 | 67.52 |
| | 1978083 | | P-UB-10 | 2-1/2 | 4 | CTC-2341949 | 67.52 |
| STEERING | | | | | | | |
| | DBL1-UP | | | | | | |
| | | | P-UB-10 | 2-1/8 | 3-1/4 | CTC-9X2031 | 299.47 |
| | 9T1834 | | P-UB-10 | 2-1/8 | 3-1/4 | CTC-9T1834K | 301.65 |
| MODEL 450E | | | | | | | |
| BACKHOE BOOM | | | | | | | |
| | EBL1-; RBA1- | | | | | | |
| | 2707285 | | P-UB-10 | 70 mm | 140 mm | CTC-2707285K | 224.49 |
| BACKHOE BUCKET | | | | | | | |
| | EBL1-; RBA1- | | | | | | |
| | 2707287 | | P-UB-10 | 75 mm | 100 mm | CTC-3260496 | 273.29 |
| BACKHOE EXT STICK | | | | | | | |
| | EBL1-; RBA1- | | | | | | |
| | 2707288 | | P-UB-10 | 45 mm | 75 mm | CTC-2707288K | 181.28 |
| BACKHOE STICK | | | | | | | |
| | EBL1-; RBA1- | | | | | | |
| | 2707286 | | P-UB-10 | 80 mm | 140 mm | CTC-2707286K | 255.25 |

REPLACEMENT KITS FOR CATERPILLAR® EQUIPMENT

| Backhoe Loaders | | | | | | | |
|-------------------------|---------|--------------------------------|---------|-------|--------|--------------|--------|
| APPLICATION | CYL # | Misc-Parts, Instructions, etc. | CODE | ROD | BORE | KIT # | |
| MODEL 450E | | | | | | | |
| BACKHOE SWING | | | | | | | |
| EBL1-431 | | | | | | | |
| | 2868903 | | P-UB-10 | 50 mm | 100 mm | CTC-2332622 | 85.34 |
| EBL432-; LYR1-; RBA1- | | | | | | | |
| | 2974896 | | P-UB-10 | 50 mm | 100 mm | CTC-2974896K | 115.44 |
| LOADER BUCKET MP | | | | | | | |
| EBL1-; LYR1- | | | | | | | |
| | 2265540 | | I-U-10 | 1-1/2 | 3 | CTC-2309357 | 76.03 |
| LOADER LIFT | | | | | | | |
| EBL1-; RBA1- | | | | | | | |
| | 1257895 | | P-UB-10 | 2-1/4 | 3-3/4 | CTC-2350969 | 228.34 |
| LOADER TILT | | | | | | | |
| EBL1-; RBA1- | | | | | | | |
| | 1007844 | | P-UB-10 | 2 | 4 | CTC-2339205 | 59.01 |
| STABILIZER LH | | | | | | | |
| EBL1-; RBA1- | | | | | | | |
| | 2707290 | | P-UB-10 | 65 mm | 115 mm | CTC-3247165 | 231.08 |
| STABILIZER RH | | | | | | | |
| EBL1-; RBA1- | | | | | | | |
| | 2707291 | | P-UB-10 | 65 mm | 115 mm | CTC-3247165 | 231.08 |
| STEERING | | | | | | | |
| EBL1-; LYR1-; RBA1- | | | | | | | |
| | 2385285 | | I-U-10 | 42 mm | 85 mm | CTC-2807013 | 172.07 |
| THUMB | | | | | | | |
| EBL1-; LYR1- | | | | | | | |
| | 2754243 | | I-U-10 | 50 mm | 70 mm | CTC-2764172 | 64.44 |
| MODEL 450F | | | | | | | |
| BOOM | | | | | | | |
| HJR1-UP | | | | | | | |
| | 3750723 | | P-UB-10 | 70 mm | 140 mm | CTC-4414074 | 154.73 |
| | 3750723 | | Bushing | 70 mm | | CTC-2331015 | 37.46 |
| BUCKET | | | | | | | |
| HJR1-UP | | | | | | | |
| | 3750719 | | P-UB-10 | 75 mm | 100 mm | CTC-4412553 | 111.08 |
| | 3750719 | | Bushing | 75 mm | | CTC-4412543 | 39.31 |
| BUCKET MP | | | | | | | |
| HJR1-UP | | | | | | | |
| | 2265540 | | I-U-10 | 1-1/2 | 3 | CTC-2309357 | 76.03 |
| LIFT | | | | | | | |
| HJR1-UP | | | | | | | |
| | 3750717 | | P-UB-10 | 55 mm | 95 mm | CTC-4410267 | 96.04 |
| | 3750717 | | Bushing | 55 mm | | CTC-2332614 | 23.29 |
| LOADER BUCKET MP | | | | | | | |
| | | | I-U-10 | 1-1/2 | 3 | CTC-2309357 | 76.03 |
| STABILIZER LH | | | | | | | |
| HJR1-UP | | | | | | | |
| | 3750721 | | P-UB-10 | 65 mm | 115 mm | CTC-4413157 | 151.08 |
| STABILIZER RH | | | | | | | |
| HJR1-UP | | | | | | | |
| | 3750722 | | P-UB-10 | 65 mm | 115 mm | CTC-4413157 | 151.08 |
| STEERING | | | | | | | |
| | | | I-U-10 | 42 mm | 85 mm | CTC-2807013 | 172.07 |
| HJR1-UP | | | | | | | |
| | 2385285 | | I-U-10 | 42 mm | 85 mm | CTC-2807013 | 172.07 |

CATERPILLAR®

REPLACEMENT KITS FOR CATERPILLAR® EQUIPMENT

| Backhoe Loaders | | | | | | | |
|------------------------|---------|--------------------------------|---------|-------|--------|-------------|---------|
| APPLICATION | CYL # | Misc-Parts, Instructions, etc. | CODE | ROD | BORE | KIT # | |
| MODEL 450F | | | | | | | |
| STICK | | | | | | | |
| HJR1-UP | | | | | | | |
| | 3750718 | | P-UB-10 | 80 mm | 140 mm | CTC-4411138 | 150.66 |
| | 3750718 | | Bushing | 80 mm | | CTC-4411130 | 43.12 |
| | 3750720 | | P-UB-10 | 45 mm | 75 mm | CTC-4413084 | 98.44 |
| | 3750720 | | Bushing | 45 mm | | CTC-4373535 | 16.25 |
| SWING | | | | | | | |
| HJR1-UP | | | | | | | |
| | 2974896 | | P-UB-10 | 50 mm | 100 mm | CTC-4499718 | 115.44 |
| | 2974896 | | Bushing | 50 mm | | CTC-2332613 | 19.72 |
| THUMB | | | | | | | |
| | | | I-U-10 | 50 mm | 70 mm | CTC-2764172 | 64.44 |
| HJR1-UP | | | | | | | |
| | 2754243 | | I-U-10 | 50 mm | 70 mm | CTC-2764172 | 64.44 |
| TILT | | | | | | | |
| HJR1-UP | | | | | | | |
| | 3750716 | | P-UB-10 | 50 mm | 100 mm | CTC-4406082 | 101.51 |
| | 3750716 | | Bushing | 50 mm | | CTC-2332613 | 19.72 |
| Crawler Dozers | | | | | | | |
| APPLICATION | CYL # | Misc-Parts, Instructions, etc. | CODE | ROD | BORE | KIT # | List \$ |
| MODEL 3P | | | | | | | |
| TILT | | | | | | | |
| | 9J8674 | | P-UB-10 | 1-1/2 | 3-1/2 | CTC-7X2752 | 130.85 |
| MODEL 3S | | | | | | | |
| TILT | | | | | | | |
| | 8J6893 | | P-UB-10 | 2 | 4 | CTC-7X2789 | 139.93 |
| | 9J8674 | | P-UB-10 | 1-1/2 | 3-1/2 | CTC-7X2752 | 130.85 |
| MODEL 4S | | | | | | | |
| DOZER TILT | | | | | | | |
| | 5J1603 | | P-V-10 | 2 | 4-3/4 | CTC-7X2677 | 160.54 |
| MODEL 5A | | | | | | | |
| LIFT | | | | | | | |
| | 7J8299 | | P-UB-10 | 2-1/2 | 4 | CTC-7X2659 | 170.54 |
| MODEL 5S | | | | | | | |
| LIFT | | | | | | | |
| | 7J8302 | | P-UB-10 | 2-1/2 | 4 | CTC-7X2659 | 170.54 |
| TILT | | | | | | | |
| | 2J1402 | | P-UB-10 | 3 | 6-1/2 | CTC-7X2694 | 217.89 |
| MODEL 6 | | | | | | | |
| LIFT | | | | | | | |
| | 7J7974 | | P-UB-10 | 1-1/2 | 4 | CTC-7X2738 | 119.97 |
| RIPPER | | | | | | | |
| | 2K3663 | | P-UB-10 | 2-1/2 | 7-1/4 | CTC-7X2661 | 220.25 |
| MODEL 6S | | | | | | | |
| TILT | | | | | | | |
| | 2J1402 | | P-UB-10 | 3 | 6-1/2 | CTC-7X2694 | 217.89 |
| MODEL 7A | | | | | | | |
| TILT | | | | | | | |
| | 5J7929 | | P-UB-10 | 2-1/2 | 6 | CTC-7X2692 | 225.32 |
| MODEL 7S, 7U | | | | | | | |
| DOZER TILT | | | | | | | |
| | 3G4533 | | P-UB-10 | 3 | 6-1/2 | CTC-1126550 | 243.09 |
| | 3J9694 | | P-U-10 | 3-1/2 | 8-1/4 | CTC-7X2720 | 247.80 |
| | 6J9752 | | P-UB-10 | 3 | 6-1/2 | CTC-1126550 | 243.09 |
| | 9J8748 | | P-UB-10 | 3 | 6-1/2 | CTC-1126550 | 243.09 |

REPLACEMENT KITS FOR CATERPILLAR® EQUIPMENT

| Crawler Dozers | | | | | | |
|-----------------------|--|--------------------------------|---------|-------|-------|--------------------|
| APPLICATION | CYL # | Misc-Parts, Instructions, etc. | CODE | ROD | BORE | KIT # |
| MODEL 7SU | | | | | | |
| DOZER TILT | 3G4533 | | P-UB-10 | 3 | 6-1/2 | CTC-1126550 243.09 |
| MODEL 8A | | | | | | |
| DOZER LIFT | 9J8802 | | P-UB-10 | 3-1/2 | 7-1/2 | CTC-7X2722 254.78 |
| MODEL 8B | | | | | | |
| PIN PULLER | 4J5057 | | P-V-10 | 1-1/4 | 4 | CTC-8T1480 113.47 |
| MODEL 8D | | | | | | |
| RIPPER PIN PULLER | 8J2071 | | P-UB-10 | 1-1/2 | 4 | CTC-7X2738 119.97 |
| MODEL 8R | | | | | | |
| TILT | 7J0192 | | P-UB-10 | 3-1/2 | 8-1/4 | CTC-7X2721 360.04 |
| MODEL 8S | | | | | | |
| DOZER TILT | 2J3894 | | P-U-10 | 3-1/2 | 8-1/4 | CTC-7X2720 247.80 |
| | 3G5707 | | P-UB-10 | 3-1/2 | 8-1/4 | CTC-7X2721 360.04 |
| LIFT LH | 5J9378 | | P-UB-10 | 2-1/2 | 5 | CTC-7X2675 170.44 |
| LIFT RH | 5J9708 | | P-UB-10 | 2-1/2 | 5 | CTC-7X2675 170.44 |
| TILT | 6J2472 | | P-UB-10 | 3-1/2 | 8-1/4 | CTC-7X2728 239.96 |
| | 7J0192 | | P-UB-10 | 3-1/2 | 8-1/4 | CTC-7X2721 360.04 |
| | 8J8682 | | P-UB-10 | 3-1/2 | 8-1/4 | CTC-7X2721 360.04 |
| MODEL 8U | | | | | | |
| | 6J2472 | | P-UB-10 | 3-1/2 | 8-1/4 | CTC-7X2728 239.96 |
| DOZER TILT | 2J3894 | | P-U-10 | 3-1/2 | 8-1/4 | CTC-7X2720 247.80 |
| | 3G5707 | | P-UB-10 | 3-1/2 | 8-1/4 | CTC-7X2721 360.04 |
| TILT | 7J0192 | | P-UB-10 | 3-1/2 | 8-1/4 | CTC-7X2721 360.04 |
| | 8J8682 | | P-UB-10 | 3-1/2 | 8-1/4 | CTC-7X2721 360.04 |
| MODEL 8V | | | | | | |
| PIN PULLER | 4J5057 | | P-V-10 | 1-1/4 | 4 | CTC-8T1480 113.47 |
| MODEL 8W | | | | | | |
| TILT | 6J1570 | | P-UB-10 | 3-1/2 | 8-1/4 | CTC-7X2721 360.04 |
| MODEL 8X, 8Y | | | | | | |
| DOZER TILT | 2J6705 | | P-U-10 | 3-1/2 | 8-1/4 | CTC-7X2720 247.80 |
| | 3G8661 | | P-UB-10 | 4 | 9-1/4 | CTC-7X2799 360.04 |
| TILT | 6J1570 | | P-UB-10 | 3-1/2 | 8-1/4 | CTC-7X2721 360.04 |
| MODEL 8Z | | | | | | |
| ANGLING | BYR1-1323; CFC1-UP; CFF1-UP; JMH1-2051 | | | | | |
| | 2167388 | | P-UB-10 | 1-1/2 | 2-3/4 | CTC-2833454 360.04 |
| | BYR1324-UP; JMH2052-UP | | | | | |
| | 2590459 | | P-UB-10 | 1-1/2 | 2-3/4 | CTC-2833454 360.04 |
| DOZER LIFT | JMH1-UP; BYR1-UP; CFC1-UP; CFF1-UP | | | | | |
| | 1833721 | | P-UB-10 | 1-1/2 | 3-1/2 | CTC-2465917 360.04 |

REPLACEMENT KITS FOR CATERPILLAR® EQUIPMENT

| Crawler Dozers | | | | | | | |
|-------------------------------|------------------------------------|--------------------------------|---------|-------|-------|--------------|--------|
| APPLICATION | CYL # | Misc-Parts, Instructions, etc. | CODE | ROD | BORE | KIT # | |
| MODEL D3G | | | | | | | |
| RIPPER-LH | | | | | | | |
| | BYR1-UP; CFC1-UP; CFF1-UP; JMH1-UP | | | | | | |
| | 1920893 | | P-UB-10 | 1-1/2 | 3 | CTC-2465913 | 83.61 |
| RIPPER-RH | | | | | | | |
| | BYR1-UP; CFC1-UP; CFF1-UP; JMH1-UP | | | | | | |
| | 1920891 | | P-UB-10 | 1-1/2 | 3 | CTC-2465913 | 83.61 |
| TILT | | | | | | | |
| | JMH1-UP; BYR1-UP; CFC1-UP; CFF1-UP | | | | | | |
| | 1838459 | | P-UB-10 | 1-1/2 | 3-1/2 | CTC-2465917 | 95.84 |
| MODEL D3K XL & LGP | | | | | | | |
| ANGLING | | | | | | | |
| | LLL1-UP; FFF1-UP | | | | | | |
| | 2633745 | | P-UB-10 | 1-1/2 | 3 | CTC-3809484 | 56.90 |
| DOZER LIFT LH | | | | | | | |
| | JTD1-UP; LLL1-UP; FFF1-UP | | | | | | |
| | 2764667 | | P-UB-10 | 1-1/2 | 3-1/2 | CTC-3933608 | 89.09 |
| DOZER LIFT RH | | | | | | | |
| | JTD1-UP; LLL1-UP; FFF1-UP | | | | | | |
| | 2634068 | | P-UB-10 | 1-1/2 | 3-1/2 | CTC-3933608 | 89.09 |
| RIPPER LH | | | | | | | |
| | JTD1-UP; LLL1-UP; FFF1-UP | | | | | | |
| | 2624418 | | P-UB-10 | 1-1/2 | 3 | CTC-3809484 | 56.90 |
| RIPPER RH | | | | | | | |
| | JTD1-UP; LLL1-UP; FFF1-UP | | | | | | |
| | 2624415 | | P-UB-10 | 1-1/2 | 3 | CTC-3809484 | 56.90 |
| TILT | | | | | | | |
| | JTD1-UP | | | | | | |
| | 3169205 | | P-UB-10 | 1-1/2 | 3 | CTC-3809484 | 56.90 |
| | JTD1-UP; LLL1-UP; FFF1-UP | | | | | | |
| | 2635008 | | P-UB-10 | 1-1/2 | 3-1/2 | CTC-3933608 | 89.09 |
| MODEL D3K2 LGP | | | | | | | |
| ANGLING | | | | | | | |
| | KLL1-UP | | | | | | |
| | 3649335 | | P-UB-10 | 1-1/2 | 3 | CTC-4488804 | 56.90 |
| DOZER LIFT | | | | | | | |
| | GAE1-UP; KLL1-UP | | | | | | |
| | 3649326 | | P-UB-10 | 1-1/2 | 3-1/2 | CTC-3933608 | 89.09 |
| RIPPER LH | | | | | | | |
| | GAE1-UP; KLL1-UP | | | | | | |
| | 2624418 | | P-UB-10 | 1-1/2 | 3 | CTC-3809484 | 56.90 |
| RIPPER RH | | | | | | | |
| | GAE1-UP; KLL1-UP | | | | | | |
| | 2624415 | | P-UB-10 | 1-1/2 | 3 | CTC-3809484 | 56.90 |
| TILT | | | | | | | |
| | GAE1-UP | | | | | | |
| | 3649344 | Angle | P-UB-10 | 1-1/2 | 3 | CTC-SK100112 | 52.17 |
| | GAE1-UP; KLL1-UP | | | | | | |
| | 3516695 | Power Pitch | P-UB-10 | 1-3/4 | 3 | CTC-3597243 | 103.33 |
| | 3649346 | | P-UB-10 | 1-1/2 | 3-1/2 | CTC-3933608 | 89.09 |
| TRACK ADJUSTER | | | | | | | |
| | GAE1-UP; KLL1-UP | | | | | | |
| | 2540664 | | TRK ADJ | | | CTC-SK100111 | 42.41 |
| MODEL D3K2 XL | | | | | | | |
| ANGLING | | | | | | | |
| | KFF1-UP | | | | | | |
| | 3649335 | | P-UB-10 | 1-1/2 | 3 | CTC-4488804 | 56.90 |

REPLACEMENT KITS FOR CATERPILLAR® EQUIPMENT

| Crawler Dozers | | | | | | | |
|---------------------------|------------------------------------|--------------------------------|---------|-------|-------|--------------|--------|
| APPLICATION | CYL # | Misc-Parts, Instructions, etc. | CODE | ROD | BORE | KIT # | |
| MODEL D3K2 XL | | | | | | | |
| DOZER LIFT | | | | | | | |
| | KFF1-UP | | | | | | |
| | 3649326 | | P-UB-10 | 1-1/2 | 3-1/2 | CTC-3933608 | 89.09 |
| RIPPER LH | | | | | | | |
| | KFF1-UP | | | | | | |
| | 2624418 | | P-UB-10 | 1-1/2 | 3 | CTC-3809484 | 56.90 |
| RIPPER RH | | | | | | | |
| | KFF1-UP | | | | | | |
| | 2624415 | | P-UB-10 | 1-1/2 | 3 | CTC-3809484 | 56.90 |
| TILT | | | | | | | |
| | KFF1-UP | | | | | | |
| | 3516695 | Power Pitch | P-UB-10 | 1-3/4 | 3 | CTC-3597243 | 103.33 |
| | 3649346 | | P-UB-10 | 1-1/2 | 3-1/2 | CTC-3933608 | 89.09 |
| TRACK ADJUSTER | | | | | | | |
| | KFF1-UP | | | | | | |
| | 2540664 | | TRK ADJ | | | CTC-SK100111 | 42.41 |
| MODEL D4B | | | | | | | |
| ANGLING | | | | | | | |
| | 9J8698 | | P-UB-10 | 1-1/2 | 3-1/2 | CTC-7X2752 | 130.85 |
| BACKHOE BOOM/BUCKET | | | | | | | |
| | 3G5767 | | P-UB-10 | 2-1/4 | 4-1/2 | CTC-1326770 | 198.07 |
| | 3G5905 | | P-UB-10 | 2-1/4 | 3-1/2 | CTC-1358166 | 222.91 |
| BACKHOE STICK/BLADE SHIFT | | | | | | | |
| | 3G5771 | | P-UB-10 | 2 | 4 | CTC-1328816 | 127.22 |
| LIFT | | | | | | | |
| | 7J9223 | | P-UB-10 | 1-1/2 | 3-1/2 | CTC-1327058 | 142.49 |
| | 9T6652 | | P-UB-10 | 1-1/2 | 3-1/2 | CTC-1327058 | 142.49 |
| RIPPER | | | | | | | |
| | 7J9920 | | P-UB-10 | 2 | 4 | CTC-1328816 | 127.22 |
| STABILIZER | | | | | | | |
| | 3G6792 | | P-UB-10 | 1-1/2 | 3-1/2 | CTC-7X2752 | 130.85 |
| STABILIZER LH | | | | | | | |
| | 1U2656 | | P-UB-10 | 2 | 4 | CTC-1328816 | 127.22 |
| STABILIZER RH | | | | | | | |
| | 1U2655 | | P-UB-10 | 2 | 4 | CTC-1328816 | 127.22 |
| TILT | | | | | | | |
| | 9J8674 | | P-UB-10 | 1-1/2 | 3-1/2 | CTC-1327058 | 142.49 |
| TRACK ADJUSTER | | | | | | | |
| | | | TRK ADJ | | | CTC-FIG4405 | 30.69 |
| MODEL D4G | | | | | | | |
| ANGLING | | | | | | | |
| | CFN1-UP; FDC1-UP; HYD1-UP; TLX1-UP | | | | | | |
| | 2167388 | | P-UB-10 | 1-1/2 | 2-3/4 | CTC-2833454 | 59.43 |
| | HYD1719-UP; TLX859-UP | | | | | | |
| | 2590459 | | P-UB-10 | 1-1/2 | 2-3/4 | CTC-2833454 | 59.43 |
| DOZER LIFT | | | | | | | |
| | CFN1-UP; FDC1-UP; HYD1-UP; TLX1-UP | | | | | | |
| | 1833721 | | P-UB-10 | 1-1/2 | 3-1/2 | CTC-2465917 | 95.84 |
| RIPPER-LH | | | | | | | |
| | CFN1-UP; FDC1-UP; HYD1-UP; TLX1-UP | | | | | | |
| | 1920893 | | P-UB-10 | 1-1/2 | 3 | CTC-2465913 | 83.61 |
| RIPPER-RH | | | | | | | |
| | CFN1-UP; FDC1-UP; HYD1-UP; TLX1-UP | | | | | | |
| | 1920891 | | P-UB-10 | 1-1/2 | 3 | CTC-2465913 | 83.61 |

CATERPILLAR®

REPLACEMENT KITS FOR CATERPILLAR® EQUIPMENT

| Crawler Dozers | | | | | | | |
|-------------------------------|---------|------------------------------------|---------|-------|-------|--------------|--------|
| APPLICATION | CYL # | Misc-Parts, Instructions, etc. | CODE | ROD | BORE | KIT # | |
| MODEL D4G | | | | | | | |
| TILT | | | | | | | |
| | | CFN1-UP; FDC1-UP; HYD1-UP; TLX1-UP | | | | | |
| | 1838459 | | P-UB-10 | 1-1/2 | 3-1/2 | CTC-2465917 | 95.84 |
| MODEL D4K XL & LGP | | | | | | | |
| ANGLING | | | | | | | |
| | | MMM1-UP; RRR1-UP | | | | | |
| | 2633745 | | P-UB-10 | 1-1/2 | 3 | CTC-3809484 | 56.90 |
| DOZER LIFT LH | | | | | | | |
| | | MMM1-UP; RRR1-UP | | | | | |
| | 2764667 | | P-UB-10 | 1-1/2 | 3-1/2 | CTC-3933608 | 89.09 |
| DOZER LIFT RH | | | | | | | |
| | | MMM1-UP; RRR1-UP | | | | | |
| | 2634068 | | P-UB-10 | 1-1/2 | 3-1/2 | CTC-3933608 | 89.09 |
| RIPPER LH | | | | | | | |
| | | MMM1-UP; RRR1-UP | | | | | |
| | 2624418 | | P-UB-10 | 1-1/2 | 3 | CTC-3809484 | 56.90 |
| RIPPER RH | | | | | | | |
| | | MMM1-UP; RRR1-UP | | | | | |
| | 2624415 | | P-UB-10 | 1-1/2 | 3 | CTC-3809484 | 56.90 |
| TILT | | | | | | | |
| | | MMM1-UP; RRR1-UP | | | | | |
| | 2635008 | | P-UB-10 | 1-1/2 | 3-1/2 | CTC-3933608 | 89.09 |
| MODEL D4K2 LGP | | | | | | | |
| ANGLING | | | | | | | |
| | | KRR1-UP | | | | | |
| | 3649335 | | P-UB-10 | 1-1/2 | 3 | CTC-4488804 | 56.90 |
| DOZER LIFT | | | | | | | |
| | | KRR1-UP | | | | | |
| | 3649326 | | P-UB-10 | 1-1/2 | 3-1/2 | CTC-3933608 | 89.09 |
| RIPPER LH | | | | | | | |
| | | KRR1-UP | | | | | |
| | 2624418 | | P-UB-10 | 1-1/2 | 3 | CTC-3809484 | 56.90 |
| RIPPER RH | | | | | | | |
| | | KRR1-UP | | | | | |
| | 2624415 | | P-UB-10 | 1-1/2 | 3 | CTC-3809484 | 56.90 |
| TILT | | | | | | | |
| | | KRR1-UP | | | | | |
| | 3516695 | Power Pitch | P-UB-10 | 1-3/4 | 3 | CTC-3597243 | 103.33 |
| | 3649346 | | P-UB-10 | 1-1/2 | 3-1/2 | CTC-3933608 | 89.09 |
| TRACK ADJUSTER | | | | | | | |
| | | KRR1-UP | | | | | |
| | 2540664 | | TRK ADJ | | | CTC-SK100111 | 42.41 |
| MODEL D4K2 XL | | | | | | | |
| ANGLING | | | | | | | |
| | | KMM1-UP | | | | | |
| | 3649335 | | P-UB-10 | 1-1/2 | 3 | CTC-4488804 | 56.90 |
| DOZER LIFT | | | | | | | |
| | | KMM1-UP | | | | | |
| | 3649326 | | P-UB-10 | 1-1/2 | 3-1/2 | CTC-3933608 | 89.09 |
| RIPPER LH | | | | | | | |
| | | KMM1-UP | | | | | |
| | 2624418 | | P-UB-10 | 1-1/2 | 3 | CTC-3809484 | 56.90 |
| RIPPER RH | | | | | | | |
| | | KMM1-UP | | | | | |
| | 2624415 | | P-UB-10 | 1-1/2 | 3 | CTC-3809484 | 56.90 |

REPLACEMENT KITS FOR CATERPILLAR® EQUIPMENT

| Crawler Dozers | | | | | | | |
|---|---------|--------------------------------|---------|-------|-------|--------------|--------|
| APPLICATION | CYL # | Misc-Parts, Instructions, etc. | CODE | ROD | BORE | KIT # | |
| MODEL D4K2 XL | | | | | | | |
| TILT | | | | | | | |
| KMM1-UP | | | | | | | |
| | 3516695 | Power Pitch | P-UB-10 | 1-3/4 | 3 | CTC-3597243 | 103.33 |
| | 3649346 | | P-UB-10 | 1-1/2 | 3-1/2 | CTC-3933608 | 89.09 |
| TRACK ADJUSTER | | | | | | | |
| KMM1-UP | | | | | | | |
| | 2540664 | | TRK ADJ | | | CTC-SK100111 | 42.41 |
| MODEL D4L | | | | | | | |
| DOZER LIFT | | | | | | | |
| | 3G9226 | | P-UB-10 | 2 | 4-1/4 | CTC-7X2819 | 144.19 |
| MODEL D4TSKH | | | | | | | |
| ANGLING | | | | | | | |
| | 1006174 | | P-UB-10 | 1-3/4 | 3-1/2 | CTC-7X2784 | 77.28 |
| | 9T9247 | | P-UB-10 | 1-3/4 | 3-1/2 | CTC-7X2784 | 77.28 |
| LIFT | | | | | | | |
| | 6E0365 | | P-UB-10 | 2 | 4-1/4 | CTC-7X2819 | 144.19 |
| | 6E0366 | | P-UB-10 | 2-1/2 | 4-3/4 | CTC-1328811 | 209.77 |
| TILT | | | | | | | |
| | 9T9557 | | P-UB-10 | 2 | 4-1/4 | CTC-1378662 | 176.06 |
| MODEL D5E | | | | | | | |
| LIFT | | | | | | | |
| | 8J6868 | | P-UB-10 | 2-1/2 | 4 | CTC-7X2659 | 170.54 |
| RIPPER | | | | | | | |
| | 8J1779 | | P-UB-10 | 2-1/2 | 7-1/4 | CTC-1542502 | 251.57 |
| TRACK ADJUSTER | | | | | | | |
| | | | TRK ADJ | | | CTC-FIG4400 | 65.89 |
| MODEL D5G | | | | | | | |
| ANGLING | | | | | | | |
| FDH1141-UP; FDW651-UP; RKG1-2121; WGB1-2700 | | | | | | | |
| | 2167388 | | P-UB-10 | 1-1/2 | 2-3/4 | CTC-2833454 | 59.43 |
| FDH1-UP; FDW1-UP | | | | | | | |
| | 2011056 | | P-UB-10 | 1-1/2 | 2-3/4 | CTC-2011056K | 59.43 |
| RKG2122-UP; WGB2701-UP | | | | | | | |
| | 2590459 | | P-UB-10 | 1-1/2 | 2-3/4 | CTC-2833454 | 59.43 |
| DOZER LIFT | | | | | | | |
| FDH1-UP; FDW1-UP; RKG1-UP; WGB1-UP | | | | | | | |
| | 1833721 | | P-UB-10 | 1-1/2 | 3-1/2 | CTC-2465917 | 95.84 |
| RIPPER-LH | | | | | | | |
| FDH1-UP; FDW1-UP; RKG1-UP; WGB1-UP | | | | | | | |
| | 1920893 | | P-UB-10 | 1-1/2 | 3 | CTC-2465913 | 83.61 |
| RIPPER-RH | | | | | | | |
| FDH1-UP; FDW1-UP; RKG1-UP; WGB1-UP | | | | | | | |
| | 1920891 | | P-UB-10 | 1-1/2 | 3 | CTC-2465913 | 83.61 |
| TILT | | | | | | | |
| FDH1-UP; FDW1-UP; RKG1-UP; WGB1-UP | | | | | | | |
| | 1838459 | | P-UB-10 | 1-1/2 | 3-1/2 | CTC-2465917 | 95.84 |
| MODEL D5H | | | | | | | |
| ANGLING | | | | | | | |
| | 4T1666 | | P-UB-10 | 2 | 4 | CTC-7X2789 | 139.93 |
| | 9T9273 | | P-UB-10 | 2 | 4 | CTC-1113302 | 163.17 |

CATERPILLAR®

REPLACEMENT KITS FOR CATERPILLAR® EQUIPMENT

| Crawler Dozers | | | | | | | |
|-------------------------------|---------------------------|--------------------------------|---------|-------|-------|-------------|--------|
| APPLICATION | CYL # | Misc-Parts, Instructions, etc. | CODE | ROD | BORE | KIT # | |
| MODEL D5H | | | | | | | |
| LIFT | | | | | | | |
| | 1153524 | | P-UB-10 | 2-1/4 | 3-3/4 | CTC-1361897 | 184.83 |
| | 1U1839 | | P-UB-10 | 2-1/4 | 3-3/4 | CTC-1361897 | 184.83 |
| | 1U2568 | | P-UB-10 | 2 | 4-1/4 | CTC-7X2819 | 144.19 |
| | 3G5909 | | P-UB-10 | 2 | 4 | CTC-7X2789 | 139.93 |
| | 4T1089 | | P-UB-10 | 2-1/4 | 3-3/4 | CTC-1361897 | 184.83 |
| | 4T1659 | | P-UB-10 | 2-1/4 | 4-1/2 | CTC-1326770 | 198.07 |
| | 6E5400 | | P-UB-10 | 2-1/4 | 4-1/2 | CTC-1354392 | 192.54 |
| RIPPER | | | | | | | |
| | 3G5909 | | P-UB-10 | 2 | 4 | CTC-1328816 | 127.22 |
| | 9T2716 | | P-UB-10 | 2-1/2 | 5 | CTC-7X2658 | 230.88 |
| TILT | | | | | | | |
| | 1153523 | | P-UB-10 | 3 | 6-1/2 | CTC-3933607 | 159.43 |
| | 1U3991 | | P-UB-10 | 3 | 6-1/2 | CTC-1126550 | 243.09 |
| | 1U3991 | | P-UB-10 | 3 | 6-1/2 | CTC-8T1408 | 110.76 |
| | 4T1625 | | P-UB-10 | 2-1/4 | 4-3/4 | CTC-1318778 | 192.17 |
| | 4T2613 | | P-UB-10 | 2-1/2 | 5 | CTC-1315118 | 233.60 |
| | 4T2613 | | P-UB-10 | 2-1/2 | 5 | CTC-7X2658 | 230.88 |
| MODEL D5K XL & LGP | | | | | | | |
| ANGLING | | | | | | | |
| | WWW1-UP; YYY1-UP | | | | | | |
| | 2633745 | | P-UB-10 | 1-1/2 | 3 | CTC-3809484 | 56.90 |
| DOZER LIFT LH | | | | | | | |
| | JLF1-UP; WWW1-UP; YYY1-UP | | | | | | |
| | 2764667 | | P-UB-10 | 1-1/2 | 3-1/2 | CTC-3933608 | 89.09 |
| DOZER LIFT RH | | | | | | | |
| | JLF1-UP; WWW1-UP; YYY1-UP | | | | | | |
| | 2634068 | | P-UB-10 | 1-1/2 | 3-1/2 | CTC-3933608 | 89.09 |
| RIPPER LH | | | | | | | |
| | JLF1-UP; WWW1-UP; YYY1-UP | | | | | | |
| | 2624418 | | P-UB-10 | 1-1/2 | 3 | CTC-3809484 | 56.90 |
| RIPPER RH | | | | | | | |
| | JLF1-UP; WWW1-UP; YYY1-UP | | | | | | |
| | 2624415 | | P-UB-10 | 1-1/2 | 3 | CTC-3809484 | 56.90 |
| TILT | | | | | | | |
| | JLF1-UP | | | | | | |
| | 3169205 | | P-UB-10 | 1-1/2 | 3 | CTC-3809484 | 56.90 |
| | JLF1-UP; WWW1-UP; YYY1-UP | | | | | | |
| | 2635008 | | P-UB-10 | 1-1/2 | 3-1/2 | CTC-3933608 | 89.09 |
| MODEL D5K2 LGP | | | | | | | |
| ANGLING | | | | | | | |
| | KYY1-UP | | | | | | |
| | 3649335 | | P-UB-10 | 1-1/2 | 3 | CTC-4488804 | 56.90 |
| DOZER LIFT | | | | | | | |
| | KYY1-UP; TRF1-UP | | | | | | |
| | 3649326 | | P-UB-10 | 1-1/2 | 3-1/2 | CTC-3933608 | 89.09 |
| RIPPER LH | | | | | | | |
| | KYY1-UP; TRF1-UP | | | | | | |
| | 2624418 | | P-UB-10 | 1-1/2 | 3 | CTC-3809484 | 56.90 |
| RIPPER RH | | | | | | | |
| | KYY1-UP; TRF1-UP | | | | | | |
| | 2624415 | | P-UB-10 | 1-1/2 | 3 | CTC-3809484 | 56.90 |
| TILT | | | | | | | |
| | KYY1-UP; TRF1-UP | | | | | | |
| | 3516695 | Power Pitch | P-UB-10 | 1-3/4 | 3 | CTC-3597243 | 103.33 |
| | 3649346 | | P-UB-10 | 1-1/2 | 3-1/2 | CTC-3933608 | 89.09 |

REPLACEMENT KITS FOR CATERPILLAR® EQUIPMENT

| Crawler Dozers | | | | | | | |
|-----------------------|--|----------------------------------|---------|-------|-------|--------------|--------|
| APPLICATION | CYL # | Misc-Parts, Instructions, etc. | CODE | ROD | BORE | KIT # | |
| MODEL D5K2 LGP | | | | | | | |
| TILT | | | | | | | |
| | TRF1-UP | | | | | | |
| | 3649344 | Angle | P-UB-10 | 1-1/2 | 3 | CTC-SK100112 | 52.17 |
| TRACK ADJUSTER | | | | | | | |
| | KYY1-UP; TRF1-UP | | | | | | |
| | 2540665 | | TRK ADJ | | | CTC-SK100111 | 42.41 |
| MODEL D5K2 XL | | | | | | | |
| ANGLING | | | | | | | |
| | KWW1-UP | | | | | | |
| | 3649335 | | P-UB-10 | 1-1/2 | 3 | CTC-4488804 | 56.90 |
| DOZER LIFT | | | | | | | |
| | KWW1-UP | | | | | | |
| | 3649326 | | P-UB-10 | 1-1/2 | 3-1/2 | CTC-3933608 | 89.09 |
| RIPPER LH | | | | | | | |
| | KWW1-UP | | | | | | |
| | 2624418 | | P-UB-10 | 1-1/2 | 3 | CTC-3809484 | 56.90 |
| RIPPER RH | | | | | | | |
| | KWW1-UP | | | | | | |
| | 2624415 | | P-UB-10 | 1-1/2 | 3 | CTC-3809484 | 56.90 |
| TILT | | | | | | | |
| | KWW1-UP | | | | | | |
| | 3516695 | Power Pitch | P-UB-10 | 1-3/4 | 3 | CTC-3597243 | 103.33 |
| | 3649346 | | P-UB-10 | 1-1/2 | 3-1/2 | CTC-3933608 | 89.09 |
| TRACK ADJUSTER | | | | | | | |
| | KWW1-UP | | | | | | |
| | 2540665 | | TRK ADJ | | | CTC-SK100111 | 42.41 |
| MODEL D5M | | | | | | | |
| ANGLING | | | | | | | |
| | 1061286 | | P-UB-10 | 1-3/4 | 3-1/2 | CTC-7X2784 | 77.28 |
| | 1378456 | | P-UB-10 | 1-3/4 | 3-1/2 | CTC-7X2784 | 77.28 |
| | 1526482 | | P-UB-10 | 1-3/4 | 3-1/2 | CTC-7X2784 | 77.28 |
| LIFT | | | | | | | |
| | 1059822 | | P-UB-10 | 2 | 4-1/4 | CTC-1378662 | 176.06 |
| | 1607610 | | P-UB-10 | 2-1/2 | 4-3/4 | CTC-1328811 | 209.77 |
| | 6E0366 | | P-UB-10 | 2-1/2 | 4-3/4 | CTC-1328811 | 209.77 |
| RIPPER | | | | | | | |
| | 3G9892 | | P-UB-10 | 2 | 4 | CTC-1328816 | 127.22 |
| MODEL D5N | | | | | | | |
| ANGLING | | | | | | | |
| | AGG1-UP; AKD1-UP; CFH1-150; CKT1-292 | | | | | | |
| | 1526482 | | P-UB-10 | 1-3/4 | 3-1/2 | CTC-2401881 | 98.74 |
| | AGG1-UP; AKD1-UP; CFH151-UP; CKT293-UP | | | | | | |
| | 2432058 | | P-UB-10 | 1-3/4 | 3-1/2 | CTC-2401881 | 98.74 |
| DOZER LIFT | | | | | | | |
| | AGG1-UP; AKD1-UP; CFH1-UP; CKT1-UP | | | | | | |
| | 1677551 | | P-UB-10 | 2 | 4-1/4 | CTC-3933606 | 68.81 |
| DOZER TILT | | | | | | | |
| | 1600045 | Includes 0.99" & 1.24" Wear ring | P-UB-10 | 2-1/2 | 4-3/4 | CTC-1600045K | 139.05 |
| | 1600045 | CHG 00-01, 0.99" Wear ring width | P-UB-10 | 2-1/2 | 4-3/4 | CTC-1864382 | 130.14 |
| | 1600045 | CHG 06-UP, 1.24" Wear ring width | P-UB-10 | 2-1/2 | 4-3/4 | CTC-1864399 | 115.30 |
| RIPPER | | | | | | | |
| | AGG1-UP; AKD1-UP; CFH1-UP; CKT1-UP | | | | | | |
| | 3G9892 | | P-UB-10 | 2 | 4 | CTC-2339205 | 59.01 |
| MODEL D5TSKH | | | | | | | |
| ANGLING | | | | | | | |
| | 9T9273 | | P-UB-10 | 2 | 4 | CTC-1113302 | 163.17 |

CATERPILLAR®

REPLACEMENT KITS FOR CATERPILLAR® EQUIPMENT

| Crawler Dozers | | | | | | | |
|---------------------------|---------|--------------------------------|---------|-------|-------|-------------|--------|
| APPLICATION | CYL # | Misc-Parts, Instructions, etc. | CODE | ROD | BORE | KIT # | |
| MODEL D5TSKH | | | | | | | |
| LIFT | | | | | | | |
| | 6E0366 | | P-UB-10 | 2-1/2 | 4-3/4 | CTC-1328811 | 209.77 |
| MODEL D6D | | | | | | | |
| BACKHOE STICK/BLADE SHIFT | | | | | | | |
| | 8J5448 | | P-UB-10 | 2 | 4 | CTC-1328816 | 127.22 |
| DOZER TILT | | | | | | | |
| | 1U3495 | | P-UB-10 | 2-1/2 | 6 | CTC-7X2674 | 177.24 |
| | 2J1402 | | P-UB-10 | 3 | 6-1/2 | CTC-7X2694 | 217.89 |
| | 7J3171 | | P-UB-10 | 2-1/2 | 6 | CTC-7X2674 | 177.24 |
| | 7J3172 | | P-UB-10 | 2-1/2 | 6 | CTC-7X2674 | 177.24 |
| DOZER TILT RH | | | | | | | |
| | 7J9695 | | P-UB-10 | 2-1/2 | 5-1/2 | CTC-8T1374 | 128.10 |
| LIFT | | | | | | | |
| | 7J7974 | | P-UB-10 | 1-1/2 | 4 | CTC-7X2738 | 119.97 |
| | 7J8302 | | P-UB-10 | 2-1/2 | 4 | CTC-1318748 | 211.19 |
| | 8J6868 | | P-UB-10 | 2-1/2 | 4 | CTC-1318748 | 211.19 |
| RIPPER | | | | | | | |
| | 8J1779 | | P-UB-10 | 2-1/2 | 7-1/4 | CTC-1542502 | 251.57 |
| TILT | | | | | | | |
| | 1U3495 | | P-UB-10 | 2-1/2 | 6 | CTC-7X2692 | 225.32 |
| | 2J1402 | | P-UB-10 | 3 | 6-1/2 | CTC-1318733 | 268.15 |
| | 7J3171 | | P-UB-10 | 2-1/2 | 6 | CTC-7X2692 | 225.32 |
| | 7J9695 | | P-UB-10 | 2-1/2 | 5-1/2 | CTC-9X2050 | 138.10 |
| | 9T2797 | | P-UB-10 | 2-1/2 | 6 | CTC-7X2674 | 177.24 |
| TILT LH | | | | | | | |
| | 6J0518 | | P-UB-10 | 2-1/2 | 6 | CTC-7X2692 | 225.32 |
| | 7J3172 | | P-UB-10 | 2-1/2 | 6 | CTC-7X2692 | 225.32 |
| TILT RH | | | | | | | |
| | 6J0517 | | P-UB-10 | 2-1/2 | 6 | CTC-7X2692 | 225.32 |
| TRACK ADJUSTER | | | | | | | |
| | | | TRK ADJ | | | CTC-FIG3400 | 82.04 |
| MODEL D6E, D6G | | | | | | | |
| LIFT | | | | | | | |
| | 8J6868 | | P-UB-10 | 2-1/2 | 4 | CTC-1318748 | 211.19 |
| RIPPER | | | | | | | |
| | 1306135 | | P-UB-10 | 2-1/2 | 7-1/4 | CTC-1542502 | 251.57 |
| | 8J1779 | | P-UB-10 | 2-1/2 | 7-1/4 | CTC-1542502 | 251.57 |
| TILT | | | | | | | |
| | 1U3495 | | P-UB-10 | 2-1/2 | 6 | CTC-7X2674 | 177.24 |
| | 1U3495 | | P-UB-10 | 2-1/2 | 6 | CTC-7X2692 | 225.32 |
| | 9T2797 | | P-UB-10 | 2-1/2 | 6 | CTC-7X2674 | 177.24 |
| UNSPECIFIED APPLICATION | | | | | | | |
| | 2J1402 | | P-UB-10 | 3 | 6-1/2 | CTC-1318733 | 268.15 |
| MODEL D6H | | | | | | | |
| DOZER | | | | | | | |
| | 1U3989 | | P-UB-10 | 2-1/2 | 3-3/4 | CTC-1318700 | 206.98 |
| | 1U3990 | | P-UB-10 | 2-1/2 | 3-3/4 | CTC-1318700 | 206.98 |
| | 4Y3807 | | P-UB-10 | 2-1/2 | 3-3/4 | CTC-1318700 | 206.98 |
| | 9T8952 | | P-UB-10 | 2-1/2 | 4 | CTC-1353223 | 220.01 |
| | 9T8996 | | P-UB-10 | 2-1/2 | 4 | CTC-1353223 | 220.01 |
| DOZER TILT | | | | | | | |
| | 9T6095 | | P-UB-10 | 2-1/2 | 6 | CTC-7X2655 | 155.83 |
| RIPPER | | | | | | | |
| | 9T2716 | | P-UB-10 | 2-1/2 | 5 | CTC-7X2658 | 230.88 |

REPLACEMENT KITS FOR CATERPILLAR® EQUIPMENT

| Crawler Dozers | | | | | | | |
|----------------------|---------------------------|--------------------------------|---------|-------|--------|--------------|--------|
| APPLICATION | CYL # | Misc-Parts, Instructions, etc. | CODE | ROD | BORE | KIT # | |
| MODEL D6H | | | | | | | |
| TILT | | | | | | | |
| | 1U3991 | | P-UB-10 | 3 | 6-1/2 | CTC-1126550 | 243.09 |
| | 1U3991 | | P-UB-10 | 3 | 6-1/2 | CTC-7X2694 | 217.89 |
| | 1U3992 | | P-UB-10 | 2-1/2 | 6 | CTC-7X2655 | 155.83 |
| | 1U3992 | | P-UB-10 | 2-1/2 | 6 | CTC-7X2836 | 204.35 |
| | 3G2798 | | P-UB-10 | 2-1/2 | 5-1/2 | CTC-3367353 | 124.43 |
| | 9T6095 | | P-UB-10 | 2-1/2 | 6 | CTC-1315164 | 235.67 |
| | 9T8760 | | P-UB-10 | 2 | 4-1/4 | CTC-7X2766 | 60.53 |
| MODEL D6K LGP | | | | | | | |
| ANGLING | | | | | | | |
| | DHA1-UP; FBH1-UP | | | | | | |
| | 2692728 | | P-UB-10 | 45 mm | 90 mm | CTC-3933609 | 142.19 |
| DOZER LIFT | | | | | | | |
| | DHA1-UP; FBH1-UP | | | | | | |
| | 2692730 | | P-UB-10 | 60 mm | 110 mm | CTC-3925201 | 145.33 |
| DOZER TILT | | | | | | | |
| | DHA1-UP; FBH1-UP | | | | | | |
| | 2692729 | | P-UB-10 | 65 mm | 120 mm | CTC-2692729K | 179.86 |
| RIPPER | | | | | | | |
| | 4041-UP | | | | | | |
| | 2270842 | | P-UB-10 | 2-1/2 | 5 | CTC-2422542 | 110.85 |
| | 3255723 | | P-UB-10 | 2-1/2 | 5 | CTC-3933604 | 120.81 |
| MODEL D6K XL | | | | | | | |
| ANGLING | | | | | | | |
| | DHA1-UP; FBH1-UP; HMG1-UP | | | | | | |
| | 2692728 | | P-UB-10 | 45 mm | 90 mm | CTC-3933609 | 142.19 |
| DOZER LIFT | | | | | | | |
| | DHA1-UP; FBH1-UP; HMG1-UP | | | | | | |
| | 2692730 | | P-UB-10 | 60 mm | 110 mm | CTC-3925201 | 145.33 |
| DOZER TILT | | | | | | | |
| | DHA1-UP; FBH1-UP; HMG1-UP | | | | | | |
| | 2692729 | | P-UB-10 | 65 mm | 120 mm | CTC-2692729K | 179.86 |
| RIPPER | | | | | | | |
| | 4041-UP | | | | | | |
| | 2270842 | | P-UB-10 | 2-1/2 | 5 | CTC-2422542 | 110.85 |
| | 4041-UP; HMG1-UP | | | | | | |
| | 3255723 | | P-UB-10 | 2-1/2 | 5 | CTC-3933604 | 120.81 |
| MODEL D6K2 | | | | | | | |
| ANGLING | | | | | | | |
| | MXK1-UP; RPR1-UP | | | | | | |
| | 3793504 | | P-UB-10 | 45 mm | 90 mm | CTC-SK100114 | 144.10 |
| DOZER LIFT | | | | | | | |
| | MXK1-UP; RPR1-UP | | | | | | |
| | 2692730 | | P-UB-10 | 60 mm | 110 mm | CTC-3925201 | 145.33 |
| RIPPER LIFT | | | | | | | |
| | MXK1-UP | | | | | | |
| | 3255723 | | P-UB-10 | 2-1/2 | 5 | CTC-3933604 | 120.81 |
| | MXK1-UP; RPR1-UP | | | | | | |
| | 4484913 | | P-UB-10 | 2-1/2 | 5 | CTC-2422542 | 110.85 |
| TILT | | | | | | | |
| | MXK1-UP; RPR1-UP | | | | | | |
| | 3793503 | | P-UB-10 | 60 mm | 110 mm | CTC-SK100113 | 204.37 |
| TRACK ADJUSTER | | | | | | | |
| | MXK1-UP; RPR1-UP | | | | | | |
| | 2398243 | | TRK ADJ | | | CTC-SK100002 | 36.55 |

CATERPILLAR®

REPLACEMENT KITS FOR CATERPILLAR® EQUIPMENT

| Crawler Dozers | | | | | | | |
|-------------------------|--|--------------------------------|---------|-------|--------|--------------|--------|
| APPLICATION | CYL # | Misc-Parts, Instructions, etc. | CODE | ROD | BORE | KIT # | |
| MODEL D6K2 LGP | | | | | | | |
| ANGLING | | | | | | | |
| | RST1-UP | | | | | | |
| | 3793504 | | P-UB-10 | 45 mm | 90 mm | CTC-SK100114 | 144.10 |
| DOZER LIFT | | | | | | | |
| | RST1-UP | | | | | | |
| | 2692730 | | P-UB-10 | 60 mm | 110 mm | CTC-3925201 | 145.33 |
| RIPPER LIFT | | | | | | | |
| | RST1-UP | | | | | | |
| | 3255723 | | P-UB-10 | 2-1/2 | 5 | CTC-3933604 | 120.81 |
| | 4484913 | | P-UB-10 | 2-1/2 | 5 | CTC-2422542 | 110.85 |
| TILT | | | | | | | |
| | RST1-UP | | | | | | |
| | 3793503 | | P-UB-10 | 60 mm | 110 mm | CTC-SK100113 | 204.37 |
| TRACK ADJUSTER | | | | | | | |
| | RST1-UP | | | | | | |
| | 2398243 | | TRK ADJ | | | CTC-SK100002 | 36.55 |
| MODEL D6K2 XL | | | | | | | |
| ANGLING | | | | | | | |
| | WMR1-UP | | | | | | |
| | 3793504 | | P-UB-10 | 45 mm | 90 mm | CTC-SK100114 | 144.10 |
| DOZER LIFT | | | | | | | |
| | WMR1-UP | | | | | | |
| | 2692730 | | P-UB-10 | 60 mm | 110 mm | CTC-3925201 | 145.33 |
| RIPPER LIFT | | | | | | | |
| | WMR1-UP | | | | | | |
| | 3255723 | | P-UB-10 | 2-1/2 | 5 | CTC-3933604 | 120.81 |
| | 4484913 | | P-UB-10 | 2-1/2 | 5 | CTC-2422542 | 110.85 |
| TILT | | | | | | | |
| | WMR1-UP | | | | | | |
| | 3793503 | | P-UB-10 | 60 mm | 110 mm | CTC-SK100113 | 204.37 |
| TRACK ADJUSTER | | | | | | | |
| | WMR1-UP | | | | | | |
| | 2398243 | | TRK ADJ | | | CTC-SK100002 | 36.55 |
| MODEL D6M | | | | | | | |
| ANGLING | | | | | | | |
| | 1103786 | | P-UB-10 | 2 | 4 | CTC-1113302 | 163.17 |
| | 1526485 | | P-UB-10 | 2 | 4 | CTC-1113302 | 163.17 |
| LIFT | | | | | | | |
| | 1103269 | | P-UB-10 | 2-1/4 | 4-1/2 | CTC-1326770 | 198.07 |
| | 1153524 | | P-UB-10 | 2-1/4 | 3-3/4 | CTC-1361897 | 184.83 |
| RIPPER | | | | | | | |
| | 3G5909 | | P-UB-10 | 2 | 4 | CTC-1328816 | 127.22 |
| | 9T2716 | | P-UB-10 | 2-1/2 | 5 | CTC-7X2658 | 230.88 |
| TILT | | | | | | | |
| | 1104761 | | P-UB-10 | 2-1/2 | 5-1/2 | CTC-1570286 | 233.79 |
| | 1153523 | | P-UB-10 | 3 | 6-1/2 | CTC-3933607 | 159.43 |
| | 1514518 | | P-UB-10 | 2-1/2 | 5-1/2 | CTC-1570286 | 233.79 |
| | 1600054 | | P-UB-10 | 2-1/2 | 5-1/2 | CTC-7X2653 | 222.82 |
| UNSPECIFIED APPLICATION | | | | | | | |
| | 1375107 | | P-UB-10 | 2 | 4 | CTC-1113302 | 163.17 |
| MODEL D6N | | | | | | | |
| ANGLING | | | | | | | |
| | AKM1-UP; ALH1-UP; ALR1-UP; ALY1-UP; CBF1-UP; CBJ1-UP; CBL1-UP; CCG1-UP; CCK1-UP; CCS1-UP; DJA1-UP; DJY1-UP | | | | | | |
| | 2280320 | | P-UB-10 | 2 | 4 | CTC-2409538 | 94.69 |
| | AKM1-UP; ALY1-UP; CCK1-UP; DJA1-UP; DJY1-UP; GHS1-UP; JAH1-UP; LJR1-UP; MLW1-UP | | | | | | |
| | 3217048 | | P-UB-10 | 2 | 4 | CTC-2618566 | 98.75 |

REPLACEMENT KITS FOR CATERPILLAR® EQUIPMENT

| Crawler Dozers | | | | | | | |
|------------------|---|--------------------------------|---------|-------|-------|--------------|--------|
| APPLICATION | CYL # | Misc-Parts, Instructions, etc. | CODE | ROD | BORE | KIT # | |
| MODEL D6N | | | | | | | |
| ANGLING | | | | | | | |
| | ALH1-UP; ALR1-UP | | | | | | |
| | 1526485 | | P-UB-10 | 2 | 4 | CTC-2409538 | 94.69 |
| DOZER LIFT | | | | | | | |
| | AKM1-1885; ALY1-2181 | | | | | | |
| | 1922811 | | P-UB-10 | 2-1/4 | 4-1/2 | CTC-2417585 | 101.09 |
| | AKM1-UP; ALH1-UP; ALR1-UP; ALY1-UP; CBJ1-UP; CCK1-UP | | | | | | |
| | 1U1839 | | P-UB-10 | 2-1/4 | 3-3/4 | CTC-2350969 | 228.34 |
| | AKM1-UP; ALH1-UP; ALY1-UP; CBF1-UP; CBJ1-UP; CBL1-UP; CCG1-UP; CCK1-UP; CCS1-UP; DJA1-UP; DJY1-UP; GHS1-UP; JAH1-UP; LJR1-UP; MLW1-UP | | | | | | |
| | 1103269 | | P-UB-10 | 2-1/4 | 4-1/2 | CTC-2417584 | 103.00 |
| | DJA1-UP; DJY1-UP; GHS1-UP; JAH1-UP; LJR1-UP; MLW1-UP | | | | | | |
| | 2758416 | | P-UB-10 | 2-1/4 | 3-3/4 | CTC-2845360 | 125.41 |
| DOZER TILT | | | | | | | |
| | AKM1-UP; ALH1-UP; ALR1-UP; ALY1-UP; CBF1-UP; CBJ1-UP; CBL1-UP; CCG1-UP; CCK1-UP; CCS1-UP; DJA1-UP; DJY1-UP; JAH1-UP; LJR1-UP | | | | | | |
| | 1600054 | | P-UB-10 | 2-1/2 | 5-1/2 | CTC-2422539 | 109.70 |
| | AKM1-UP; ALH1-UP; CBF1-UP; CBJ1-UP; CBL1-UP; CCG1-UP; CCK1-UP; CCS1-UP; DJA1-UP; DJY1-UP | | | | | | |
| | 1153523 | | P-UB-10 | 3 | 6-1/2 | CTC-3933607 | 159.43 |
| | DJA1-UP; DJY1-UP; GHS1-UP; JAH1-UP; LJR1-UP; MLW1-UP | | | | | | |
| | 2339134 | | P-UB-10 | 3 | 6-1/2 | CTC-2440980 | 210.12 |
| | 3284267 | | P-UB-10 | 2-1/2 | 5-1/2 | CTC-3284267K | 109.70 |
| RIPPER LIFT | | | | | | | |
| | AKM1-UP; ALH1-UP; ALR1-UP; ALY1-UP; CBF1-UP; CBJ1-UP; CBL1-UP; CCG1-UP; CCK1-UP; CCS1-UP | | | | | | |
| | 9T2716 | | P-UB-10 | 2-1/2 | 5 | CTC-2422542 | 110.85 |
| | AKM1-UP; ALH1-UP; ALR1-UP; ALY1-UP; CBF1-UP; CBL1-UP; CCG1-UP; CCK1-UP; CCS1-UP; DJA1-UP; DJY1-UP; JAH1-UP | | | | | | |
| | 2270842 | | P-UB-10 | 2-1/2 | 5 | CTC-2422542 | 110.85 |
| | DJA1-UP; DJY1-UP; GHS1-UP; JAH1-UP; LJR1-UP; MLW1-UP | | | | | | |
| | 3255723 | | P-UB-10 | 2-1/2 | 5 | CTC-3933604 | 120.81 |
| MODEL D6R | | | | | | | |
| DOZER | | | | | | | |
| | 1278931 | | P-UB-10 | 2-1/2 | 4 | CTC-1353223 | 220.01 |
| | 1294258 | | P-UB-10 | 2-1/2 | 4 | CTC-1353223 | 220.01 |
| RIPPER | | | | | | | |
| | 9T2716 | | P-UB-10 | 2-1/2 | 5 | CTC-7X2658 | 230.88 |
| TILT | | | | | | | |
| | 1U3991 | | P-UB-10 | 3 | 6-1/2 | CTC-1126550 | 243.09 |
| | 1U3991 | | P-UB-10 | 3 | 6-1/2 | CTC-8T1408 | 110.76 |
| | 9T6095 | | P-UB-10 | 2-1/2 | 6 | CTC-1315164 | 235.67 |
| | 9T6095 | | P-UB-10 | 2-1/2 | 6 | CTC-7X2655 | 155.83 |
| MODEL D6T | | | | | | | |
| ANGLING | | | | | | | |
| | DJG1-UP; JWD1-UP; RLW1-UP; WCG1-UP; WFH1-UP; ZEB1-UP | | | | | | |
| | 2871973 | | P-UB-10 | 2-1/4 | 4 | CTC-2871973K | 107.64 |
| DOZER ANGLING | | | | | | | |
| | DJG1-UP; JWD1-UP; RLW1-UP; WCG1-UP; WFH1-UP; ZEB1-UP | | | | | | |
| | 2278893 | | P-UB-10 | 2-1/2 | 5-1/4 | CTC-2341950 | 159.15 |
| | GCT1-UP; JHB1-UP; KJL1-UP; LAE1-UP; LAY1-UP; PEZ1-UP; SKL1-UP; SMC1-UP | | | | | | |
| | 2270841 | | P-UB-10 | 2-1/2 | 6 | CTC-2430388 | 97.78 |
| DOZER LIFT | | | | | | | |
| | DJG1-UP; JWD1-UP; RLW1-UP; WFH1-UP; ZEB1-UP | | | | | | |
| | 2270994 | | P-UB-10 | 2-1/2 | 4 | CTC-3652932 | 163.93 |
| | GCT1-UP; JHB1-UP; LAE1-UP; LAY1-UP; LBD1-UP; LKJ1-UP; PEZ1-UP; SKL1-UP; SMC1-UP | | | | | | |
| | 2270844 | | P-UB-10 | 2-1/2 | 4 | CTC-2292626 | 134.95 |
| | JWD1-UP; RLW1-UP; WCG1-UP; ZEB1-UP | | | | | | |
| | 2330478 | | P-UB-10 | 2-1/2 | 4 | CTC-3652932 | 163.93 |

CATERPILLAR®

REPLACEMENT KITS FOR CATERPILLAR® EQUIPMENT

| Crawler Dozers | | | | | | | |
|--------------------------------------|--|--------------------------------|---------|-------|-------|-------------|--------|
| APPLICATION | CYL # | Misc-Parts, Instructions, etc. | CODE | ROD | BORE | KIT # | |
| MODEL D6T | | | | | | | |
| DOZER LIFT | | | | | | | |
| | KJL1-UP; LAE1-UP; LBD1-UP; LKJ1-UP; PEZ1-UP | | | | | | |
| | 2270843 | | P-UB-10 | 2-1/2 | 4 | CTC-2292626 | 134.95 |
| DOZER TILT | | | | | | | |
| | JHB1-UP; KJL1-UP; LAE1-UP; LAY1-UP; LBD1-UP; LKJ1-UP; PEZ1-UP; SKL1-UP; SMC1-UP | | | | | | |
| | 2339134 | | P-UB-10 | 3 | 6-1/2 | CTC-2440980 | 210.12 |
| RIPPER LIFT | | | | | | | |
| | DJG1-UP; GCT1-UP; JHB1-UP; JWD1-UP; KJL1-UP; LAE1-UP; LAY1-UP; LBD1-UP; LKJ1-UP; PEZ1-UP; RLW1-UP; SKL1-UP; SMC1-UP; WCG1-UP; WFH1-UP; ZEB1-UP | | | | | | |
| | 2270842 | | P-UB-10 | 2-1/2 | 5 | CTC-2422542 | 110.85 |
| | 3255723 | | P-UB-10 | 2-1/2 | 5 | CTC-3933604 | 120.81 |
| MODEL D7 LGP | | | | | | | |
| LIFT LH | | | | | | | |
| | 9J4887 | | P-UB-10 | 2-1/2 | 4-3/4 | CTC-1014201 | 183.78 |
| LIFT RH | | | | | | | |
| | 9J4888 | | P-UB-10 | 2-1/2 | 4-3/4 | CTC-1014201 | 183.78 |
| MODEL D7A, D7B, D7C, D7D, D7E | | | | | | | |
| DOZER LIFT | | | | | | | |
| | 3R6781 | | P-UB-10 | 2-1/2 | 4-3/4 | CTC-7X2660 | 246.36 |
| DOZER LIFT LH | | | | | | | |
| | 1U2133 | | P-UB-10 | 2-1/2 | 4-3/4 | CTC-7X2660 | 246.36 |
| | 1U2136 | | P-UB-10 | 2-1/2 | 4-3/4 | CTC-7X2660 | 246.36 |
| DOZER LIFT RH | | | | | | | |
| | 1U2134 | | P-UB-10 | 2-1/2 | 4-3/4 | CTC-7X2660 | 246.36 |
| | 1U2135 | | P-UB-10 | 2-1/2 | 4-3/4 | CTC-7X2660 | 246.36 |
| DOZER TILT | | | | | | | |
| | 2J6783 | | P-U-10 | 3-1/2 | 8-1/4 | CTC-7X2720 | 247.80 |
| | 3J9694 | | P-U-10 | 3-1/2 | 8-1/4 | CTC-7X2720 | 247.80 |
| | 3R6770 | | P-U-10 | 3-1/2 | 8-1/4 | CTC-7X2720 | 247.80 |
| | 9J8748 | | P-UB-10 | 3 | 6-1/2 | CTC-7X2694 | 217.89 |
| LIFT | | | | | | | |
| | 3J3271 | | P-UB-10 | 2-1/2 | 6 | CTC-7X2679 | 189.51 |
| | 4J6177 | | P-UB-10 | 2-1/2 | 4-3/4 | CTC-1014201 | 183.78 |
| | 4J6177 | | P-UB-10 | 2-1/2 | 4-3/4 | CTC-7X2660 | 246.36 |
| RIPPER | | | | | | | |
| | 3J6439 | | P-UB-10 | 2-1/2 | 6 | CTC-7X2679 | 189.51 |
| RIPPER LIFT | | | | | | | |
| | 3R6724 | D7E only | P-UB-10 | 2-1/2 | 6 | CTC-7X2679 | 189.51 |
| | 4T9290 | | P-UB-10 | 2-1/2 | 6 | CTC-7X2655 | 155.83 |
| TILT | | | | | | | |
| | 5J7929 | | P-UB-10 | 2-1/2 | 6 | CTC-7X2692 | 225.32 |
| | 6J9752 | | P-UB-10 | 3 | 6-1/2 | CTC-1126550 | 243.09 |
| TRACK ADJUSTER | | | | | | | |
| | | D7C, D7D only | TRK ADJ | | | CTC-FIG3400 | 82.04 |
| | | D7E only | TRK ADJ | | | CTC-FIG3404 | 63.46 |
| MODEL D7G | | | | | | | |
| DOZER LH | | | | | | | |
| | 1041944 | | P-UB-10 | 2-1/2 | 4-3/4 | CTC-1700221 | 194.29 |
| | 1U2133 | | P-UB-10 | 2-1/2 | 4-3/4 | CTC-7X2773 | 178.45 |
| | 1U2136 | | P-UB-10 | 2-1/2 | 4-3/4 | CTC-7X2773 | 178.45 |
| DOZER LIFT | | | | | | | |
| | 3R6781 | | P-UB-10 | 2-1/2 | 4-3/4 | CTC-7X2660 | 246.36 |
| DOZER LIFT LH | | | | | | | |
| | 1U2133 | | P-UB-10 | 2-1/2 | 4-3/4 | CTC-7X2660 | 246.36 |
| | 1U2136 | | P-UB-10 | 2-1/2 | 4-3/4 | CTC-7X2660 | 246.36 |

REPLACEMENT KITS FOR CATERPILLAR® EQUIPMENT

| Crawler Dozers | | | | | | | |
|-----------------------|---------|--------------------------------|---------|-------|-------|-------------|--------|
| APPLICATION | CYL # | Misc-Parts, Instructions, etc. | CODE | ROD | BORE | KIT # | |
| MODEL D7G | | | | | | | |
| DOZER LIFT RH | | | | | | | |
| | 1U2134 | | P-UB-10 | 2-1/2 | 4-3/4 | CTC-7X2660 | 246.36 |
| | 1U2135 | | P-UB-10 | 2-1/2 | 4-3/4 | CTC-7X2660 | 246.36 |
| DOZER RH | | | | | | | |
| | 1041943 | | P-UB-10 | 2-1/2 | 4-3/4 | CTC-1700221 | 194.29 |
| | 1U2134 | | P-UB-10 | 2-1/2 | 4-3/4 | CTC-7X2773 | 178.45 |
| | 1U2135 | | P-UB-10 | 2-1/2 | 4-3/4 | CTC-7X2773 | 178.45 |
| DOZER TILT | | | | | | | |
| | 2J6783 | | P-U-10 | 3-1/2 | 8-1/4 | CTC-7X2720 | 247.80 |
| | 3J9694 | | P-U-10 | 3-1/2 | 8-1/4 | CTC-7X2720 | 247.80 |
| | 3R6770 | | P-U-10 | 3-1/2 | 8-1/4 | CTC-7X2720 | 247.80 |
| | 9J8748 | | P-UB-10 | 3 | 6-1/2 | CTC-7X2694 | 217.89 |
| LIFT | | | | | | | |
| | 3J3271 | | P-UB-10 | 2-1/2 | 6 | CTC-7X2679 | 189.51 |
| | 3R6781 | | P-UB-10 | 2-1/2 | 4-3/4 | CTC-7X2660 | 246.36 |
| | 4J6177 | | P-UB-10 | 2-1/2 | 4-3/4 | CTC-1014201 | 183.78 |
| | 4J6177 | | P-UB-10 | 2-1/2 | 4-3/4 | CTC-7X2660 | 246.36 |
| LIFT LH | | | | | | | |
| | 7J3334 | | P-UB-10 | 2-1/2 | 4-3/4 | CTC-7X2773 | 178.45 |
| LIFT RH | | | | | | | |
| | 7J3333 | | P-UB-10 | 2-1/2 | 4-3/4 | CTC-7X2773 | 178.45 |
| | 9J4888 | | P-UB-10 | 2-1/2 | 4-3/4 | CTC-7X2773 | 178.45 |
| RIPPER | | | | | | | |
| | 3J6439 | | P-UB-10 | 2-1/2 | 6 | CTC-7X2679 | 189.51 |
| RIPPER LIFT | | | | | | | |
| | 4T9290 | | P-UB-10 | 2-1/2 | 6 | CTC-7X2655 | 155.83 |
| TILT | | | | | | | |
| | 2J1402 | | P-UB-10 | 3 | 6-1/2 | CTC-1318733 | 268.15 |
| | 5J7929 | | P-UB-10 | 2-1/2 | 6 | CTC-7X2692 | 225.32 |
| | 6J9752 | | P-UB-10 | 3 | 6-1/2 | CTC-1126550 | 243.09 |
| | 9J8748 | | P-UB-10 | 3 | 6-1/2 | CTC-1126550 | 243.09 |
| | 9J8748 | | P-UB-10 | 3 | 6-1/2 | CTC-8T1408 | 110.76 |
| TILT LH | | | | | | | |
| | 5J7930 | | P-UB-10 | 2-1/2 | 6 | CTC-7X2692 | 225.32 |
| | 7J9364 | | P-UB-10 | 2-1/2 | 6 | CTC-7X2669 | 296.27 |
| TRACK ADJUSTER | | | | | | | |
| | | | TRK ADJ | | | CTC-FIG3401 | 76.59 |
| MODEL D7R | | | | | | | |
| DOZER | | | | | | | |
| | 1291908 | | P-UB-10 | 2-1/2 | 4 | CTC-1353223 | 220.01 |
| | 1U4851 | | P-UB-10 | 2-1/2 | 4 | CTC-1318748 | 211.19 |
| | 1U4851 | | P-UB-10 | 2-1/2 | 4 | CTC-1353253 | 204.97 |
| | 1U4852 | | P-UB-10 | 2-1/2 | 4 | CTC-1318748 | 211.19 |
| | 1U4852 | | P-UB-10 | 2-1/2 | 4 | CTC-1353253 | 204.97 |
| LIFT | | | | | | | |
| | 1294259 | | P-UB-10 | 2-1/2 | 4 | CTC-1353223 | 220.01 |
| | 6E1836 | | P-UB-10 | 2-1/2 | 4 | CTC-1353223 | 220.01 |
| | 6E1841 | | P-UB-10 | 2-1/2 | 4 | CTC-1353223 | 220.01 |
| RIPPER | | | | | | | |
| | 9T0142 | | P-UB-10 | 3 | 7-1/4 | CTC-1326184 | 293.98 |
| TILT | | | | | | | |
| | 1124814 | | P-UB-10 | 2-3/4 | 6 | CTC-1352167 | 240.21 |
| | 3G4533 | | P-UB-10 | 3 | 6-1/2 | CTC-1126550 | 243.09 |
| | 9T6113 | | P-UB-10 | 3 | 6-1/2 | CTC-1126550 | 243.09 |
| TILT LH | | | | | | | |
| | 1470709 | | P-UB-10 | 3 | 6-1/2 | CTC-1126550 | 243.09 |

CATERPILLAR®

REPLACEMENT KITS FOR CATERPILLAR® EQUIPMENT

| Crawler Dozers | | | | | | | |
|-------------------|------------------|--------------------------------|---------|-------|-------|--------------|--------|
| APPLICATION | CYL # | Misc-Parts, Instructions, etc. | CODE | ROD | BORE | KIT # | |
| MODEL D7R | | | | | | | |
| TILT RH | | | | | | | |
| | 1470708 | | P-UB-10 | 3 | 6-1/2 | CTC-1126550 | 243.09 |
| MODEL D8N | | | | | | | |
| DOZER | | | | | | | |
| | 6E1102 | | P-UB-10 | 3 | 4-1/2 | CTC-1353802 | 239.16 |
| | 6E1175 | | P-UB-10 | 3-1/2 | 7-1/4 | CTC-1309483 | 388.58 |
| | 9T0140 | | P-UB-10 | 2-3/4 | 4-1/4 | CTC-7X2451 | 152.08 |
| | 9T0141 | | P-UB-10 | 3-1/2 | 7-1/2 | CTC-7X2722 | 254.78 |
| PIN PULLER | | | | | | | |
| | 6E3113 | | P-UB-10 | 1-3/4 | 4 | CTC-1316108 | 149.01 |
| | 9T2066 | | P-UB-10 | 1-1/2 | 4 | CTC-7X2738 | 119.97 |
| RIPPER | | | | | | | |
| | 9T0142 | | P-UB-10 | 3 | 7-1/4 | CTC-1326184 | 293.98 |
| | 9T0143 | | P-UB-10 | 3 | 6-1/2 | CTC-1279809 | 301.03 |
| TILT | | | | | | | |
| | 6E0397 | | P-UB-10 | 3 | 7-1/4 | CTC-1326127 | 270.39 |
| | 9T6077 | | P-UB-10 | 3 | 6-1/2 | CTC-1126550 | 243.09 |
| MODEL D8R | | | | | | | |
| DOZER | | | | | | | |
| | 6E1102 | | P-UB-10 | 3 | 4-1/2 | CTC-1353802 | 239.16 |
| | 6E1175 | | P-UB-10 | 3-1/2 | 7-1/4 | CTC-1309483 | 388.58 |
| PIN PULLER | | | | | | | |
| | 6E3113 | | P-UB-10 | 1-3/4 | 4 | CTC-1316108 | 149.01 |
| | 9T2066 | | P-UB-10 | 1-1/2 | 4 | CTC-7X2738 | 119.97 |
| RIPPER | | | | | | | |
| | 4Z6313 | | P-UB-10 | 3 | 6-1/2 | CTC-1279809 | 301.03 |
| | 9T0142 | | P-UB-10 | 3 | 7-1/4 | CTC-1326184 | 293.98 |
| | 9T0143 | | P-UB-10 | 3 | 6-1/2 | CTC-1279809 | 301.03 |
| TILT | | | | | | | |
| | 6E0397 | | P-UB-10 | 3 | 7-1/4 | CTC-1326127 | 270.39 |
| MODEL D8T | | | | | | | |
| DOZER LIFT | | | | | | | |
| | J8B1-UP; KPZ1-UP | | | | | | |
| | 2505861 | | P-UB-10 | 3 | 4-1/2 | CTC-3193557 | 131.15 |
| DOZER TILT | | | | | | | |
| | J8B1-UP; KPZ1-UP | | | | | | |
| | 2407347 | | P-UB-10 | 3-1/2 | 7-1/4 | CTC-2407347K | 254.32 |
| | 2410550 | | P-UB-10 | 3-1/2 | 7-1/4 | CTC-2460639 | 374.92 |
| | 6E0397 | | P-UB-10 | 3 | 7-1/4 | CTC-2442059 | 319.75 |
| RIPPER | | | | | | | |
| | J8B1-UP; KPZ1-UP | | | | | | |
| | 1553653 | | P-UB-10 | 3 | 7-1/4 | CTC-2442067 | 183.64 |
| RIPPER PIN PULLER | | | | | | | |
| | J8B1-UP; KPZ1-UP | | | | | | |
| | 6E3113 | | P-UB-10 | 1-3/4 | 4 | CTC-2404819 | 149.01 |
| RIPPER-LH | | | | | | | |
| | J8B1-UP; KPZ1-UP | | | | | | |
| | 1553652 | | P-UB-10 | 3 | 6-1/2 | CTC-2442050 | 167.01 |
| RIPPER-RH | | | | | | | |
| | J8B1-UP; KPZ1-UP | | | | | | |
| | 1650102 | | P-UB-10 | 3 | 6-1/2 | CTC-2442050 | 167.01 |
| TILT | | | | | | | |
| | KPZ3627-UP | | | | | | |
| | 3473272 | | P-UB-10 | 3-1/2 | 7-1/4 | CTC-3473272K | 213.61 |
| MODEL D9N | | | | | | | |
| DOZER LIFT | | | | | | | |
| | 9T2860 | | P-UB-10 | 3 | 5-1/4 | CTC-7X2756 | 173.43 |

REPLACEMENT KITS FOR CATERPILLAR® EQUIPMENT

| Crawler Dozers | | | | | | | |
|-------------------|--------------------------------------|--------------------------------|---------|-------|-------|-------------|--------|
| APPLICATION | CYL. # | Misc-Parts, Instructions, etc. | CODE | ROD | BORE | KIT # | |
| MODEL D9N | | | | | | | |
| DOZER TILT | | | | | | | |
| | 3G5707 | | P-UB-10 | 3-1/2 | 8-1/4 | CTC-7X2721 | 360.04 |
| LIFT | | | | | | | |
| | 9T2860 | | P-UB-10 | 3 | 5-1/4 | CTC-7X2756 | 173.43 |
| PIN PULLER | | | | | | | |
| | 6E3113 | | P-UB-10 | 1-3/4 | 4 | CTC-1316108 | 149.01 |
| | 9T2066 | | P-UB-10 | 1-1/2 | 4 | CTC-7X2738 | 119.97 |
| RIPPER | | | | | | | |
| | 3G6457 | | P-UB-10 | 3-1/4 | 8-1/4 | CTC-7X2715 | 344.14 |
| RIPPER LIFT | | | | | | | |
| | 3G6457 | | P-UB-10 | 3-1/4 | 8-1/4 | CTC-7X2715 | 344.14 |
| RIPPER PIN PULLER | | | | | | | |
| | 9T2066 | | P-UB-10 | 1-1/2 | 4 | CTC-7X2738 | 119.97 |
| TILT | | | | | | | |
| | 3G5707 | | P-UB-10 | 3-1/2 | 8-1/4 | CTC-1371974 | 332.11 |
| | 6E4835 | 1229350 Piston | P-UB-10 | 3-1/2 | 8-1/4 | CTC-1324905 | 287.98 |
| | 6E4836 | 1229350 Piston | P-UB-10 | 3-1/2 | 8-1/4 | CTC-1324905 | 287.98 |
| MODEL D9R | | | | | | | |
| DOZER | | | | | | | |
| | 4Z6172 | | P-UB-10 | 3 | 4-3/4 | CTC-1362025 | 286.81 |
| | 6E4433 | | P-UB-10 | 3 | 4-3/4 | CTC-1542503 | 171.66 |
| PIN PULLER | | | | | | | |
| | 6E3113 | | P-UB-10 | 1-3/4 | 4 | CTC-1316108 | 149.01 |
| RIPPER | | | | | | | |
| | 1238098 | | P-UB-10 | 3-1/4 | 7-1/4 | CTC-1324987 | 312.23 |
| | 1325123 | | P-UB-10 | 3-1/4 | 7-1/4 | CTC-1324987 | 312.23 |
| | 9T5813 | | P-UB-10 | 3-1/4 | 7-1/4 | CTC-1324987 | 312.23 |
| RIPPER TILT | | | | | | | |
| | 1238097 | | P-UB-10 | 3 | 6 | CTC-1324937 | 183.64 |
| | 1325149 | | P-UB-10 | 3 | 6 | CTC-1324937 | 183.64 |
| | 9T5807 | | P-UB-10 | 3 | 6 | CTC-1324937 | 183.64 |
| TILT | | | | | | | |
| | 1096778 | | P-UB-10 | 3-1/2 | 8-1/4 | CTC-1324905 | 287.98 |
| TILT LH | | | | | | | |
| | 1098833 | | P-UB-10 | 3-1/2 | 8-1/4 | CTC-1324905 | 287.98 |
| | 6E4835 | | P-UB-10 | 3-1/2 | 8-1/4 | CTC-7X2721 | 360.04 |
| TILT RH | | | | | | | |
| | 1098832 | | P-UB-10 | 3-1/2 | 8-1/4 | CTC-1324905 | 287.98 |
| | 6E4836 | | P-UB-10 | 3-1/2 | 8-1/4 | CTC-7X2721 | 360.04 |
| MODEL D9T | | | | | | | |
| DOZER LIFT | | | | | | | |
| | RJS1-UP 2256727 | | P-UB-10 | 3 | 4-3/4 | CTC-4162092 | 176.00 |
| | RJS1-UP; T9H1-UP; T9J1-UP 1658633 | | P-UB-10 | 3 | 4-3/4 | CTC-3193558 | 165.28 |
| DOZER TILT | | | | | | | |
| | T9J1-UP 4Z6110 | | P-UB-10 | 3-1/2 | 8-1/4 | CTC-4Z6110K | 240.51 |
| DOZER TILT LH | | | | | | | |
| | RJS1-UP 1098833 | | P-UB-10 | 3-1/2 | 8-1/4 | CTC-2456835 | 252.37 |
| DOZER TILT RH | | | | | | | |
| | RJS1-UP 1098832 | | P-UB-10 | 3-1/2 | 8-1/4 | CTC-2456835 | 252.37 |

CATERPILLAR®

REPLACEMENT KITS FOR CATERPILLAR® EQUIPMENT

| Crawler Dozers | | | | | | | |
|------------------------------|------------------|--------------------------------|---------|-------|-------|-------------|--------|
| APPLICATION | CYL # | Misc-Parts, Instructions, etc. | CODE | ROD | BORE | KIT # | |
| MODEL D9T | | | | | | | |
| DOZER TILT STABILIZER | | | | | | | |
| | T9H1-UP; T9J1-UP | | | | | | |
| | 1096778 | | P-UB-10 | 3-1/2 | 8-1/4 | CTC-2456835 | 252.37 |
| RIPPER | | | | | | | |
| | CRM1-UP | | | | | | |
| | 1325123 | | P-UB-10 | 3-1/4 | 7-1/4 | CTC-2450596 | 245.16 |
| RIPPER - PIN PULLER | | | | | | | |
| | RJS1-UP | | | | | | |
| | 6E3113 | | P-UB-10 | 1-3/4 | 4 | CTC-2404819 | 149.01 |
| RIPPER TIP | | | | | | | |
| | CRM1-UP; MAM1-UP | | | | | | |
| | 1325149 | | P-UB-10 | 3 | 6 | CTC-2442055 | 165.55 |
| | RJS1-UP | | | | | | |
| | 4Z6364 | Cold Weather | P-UB-10 | 3 | 6 | CTC-4Z6364K | 171.62 |
| MODEL D10N | | | | | | | |
| DOZER | | | | | | | |
| | 9T4279 | | P-UB-10 | 4 | 9-1/4 | CTC-1324922 | 437.86 |
| | 9T4280 | | P-UB-10 | 4 | 9-1/4 | CTC-1324922 | 437.86 |
| | 9T7341 | | P-UB-10 | 4 | 9-1/4 | CTC-1324922 | 437.86 |
| DOZER LIFT | | | | | | | |
| | 9T2869 | | P-UB-10 | 3-1/2 | 6-1/4 | CTC-7X0863 | 231.86 |
| DOZER TILT | | | | | | | |
| | 9T1180 | | P-UB-10 | 4 | 9-1/4 | CTC-7X2799 | 389.51 |
| | 9T4279 | | P-UB-10 | 4 | 9-1/4 | CTC-7X2799 | 389.51 |
| LIFT | | | | | | | |
| | 9T2869 | | P-UB-10 | 3-1/2 | 6-1/4 | CTC-1365158 | 283.70 |
| PIN PULLER | | | | | | | |
| | 6E3113 | | P-UB-10 | 1-3/4 | 4 | CTC-1316108 | 149.01 |
| | 9T2066 | | P-UB-10 | 1-1/2 | 4 | CTC-7X2738 | 119.97 |
| RIPPER | | | | | | | |
| | 4T9977 | | P-UB-10 | 3-1/4 | 8-1/4 | CTC-7X2715 | 344.14 |
| RIPPER LH | | | | | | | |
| | 4T5111 | | P-UB-10 | 3-1/4 | 9-1/4 | CTC-1469631 | 334.56 |
| | 4T5111 | | P-UB-10 | 3-1/4 | 9-1/4 | CTC-7X2707 | 459.66 |
| RIPPER LIFT LH | | | | | | | |
| | 4T5111 | | P-UB-10 | 3-1/4 | 9-1/4 | CTC-7X2707 | 459.66 |
| RIPPER LIFT RH | | | | | | | |
| | 4T5112 | | P-UB-10 | 3-1/4 | 9-1/4 | CTC-7X2707 | 459.66 |
| RIPPER PIN PULLER | | | | | | | |
| | 9T2066 | | P-UB-10 | 1-1/2 | 4 | CTC-7X2738 | 119.97 |
| RIPPER RH | | | | | | | |
| | 4T5112 | | P-UB-10 | 3-1/4 | 9-1/4 | CTC-1469631 | 334.56 |
| | 4T5112 | | P-UB-10 | 3-1/4 | 9-1/4 | CTC-7X2707 | 459.66 |
| RIPPER TILT | | | | | | | |
| | 4T9977 | | P-UB-10 | 3-1/4 | 8-1/4 | CTC-7X2715 | 344.14 |
| TILT LH | | | | | | | |
| | 9J0673 | | P-UB-10 | 2-3/4 | 6 | CTC-7X2803 | 225.67 |
| TILT RH | | | | | | | |
| | 9T9203 | | P-UB-10 | 4 | 9-1/4 | CTC-1324922 | 437.86 |
| TWIN TILT LH | | | | | | | |
| | 9T9204 | | P-UB-10 | 4 | 9-1/4 | CTC-7X2799 | 389.51 |
| TWIN TILT RH | | | | | | | |
| | 9T9203 | | P-UB-10 | 4 | 9-1/4 | CTC-7X2799 | 389.51 |
| MODEL D10R | | | | | | | |
| DOZER LH | | | | | | | |
| | 9T9204 | | P-UB-10 | 4 | 9-1/4 | CTC-1324922 | 437.86 |

REPLACEMENT KITS FOR CATERPILLAR® EQUIPMENT

| Crawler Dozers | | | | | | | |
|-----------------------|---|--------------------------------|---------|-------|--------|-------------|--------|
| APPLICATION | CYL. # | Misc-Parts, Instructions, etc. | CODE | ROD | BORE | KIT # | |
| MODEL D10R | | | | | | | |
| DOZER RH | 4T5112 | | P-UB-10 | 3-1/4 | 9-1/4 | CTC-1469631 | 334.56 |
| LIFT | 9T2869 | | P-UB-10 | 3-1/2 | 6-1/4 | CTC-1365158 | 283.70 |
| PIN PULLER | 6E3113 | | P-UB-10 | 1-3/4 | 4 | CTC-1316108 | 149.01 |
| RIPPER | 4T9977 | | P-UB-10 | 3-1/4 | 8-1/4 | CTC-7X2715 | 344.14 |
| RIPPER LH | 4T5111 | | P-UB-10 | 3-1/4 | 9-1/4 | CTC-1469631 | 334.56 |
| | 4T5111 | | P-UB-10 | 3-1/4 | 9-1/4 | CTC-7X2707 | 459.66 |
| RIPPER RH | 4T5112 | | P-UB-10 | 3-1/4 | 9-1/4 | CTC-7X2707 | 459.66 |
| TILT | 9T9202 | | P-UB-10 | 4 | 9-1/4 | CTC-1324922 | 437.86 |
| MODEL D10T | | | | | | | |
| DOZER LIFT | BHA1-UP; BHF1-UP; BHJ1-UP; BHP1-UP; RJG1-UP | | | | | | |
| | 9T2869 | | P-UB-10 | 3-1/2 | 6-1/4 | CTC-3189220 | 432.74 |
| DOZER LIFT RH | RJG1-1900 | | | | | | |
| | 2310865 | | P-UB-10 | 3-1/2 | 6-1/4 | CTC-3189220 | 432.74 |
| | RJG1901-UP | | | | | | |
| | 3238514 | | P-UB-10 | 3-1/2 | 6-1/4 | CTC-3189220 | 432.74 |
| DOZER TILT | BHA1-UP; BHF1-UP; BHJ1-UP; BHP1-UP | | | | | | |
| | 2320654 | | P-UB-10 | 4 | 9-1/4 | CTC-2460648 | 432.15 |
| DUAL TILT LH | RJG1-UP | | | | | | |
| | 2320652 | | P-UB-10 | 4 | 9-1/4 | CTC-2460648 | 432.15 |
| DUAL TILT RH | RJG1-UP | | | | | | |
| | 2320653 | | P-UB-10 | 4 | 9-1/4 | CTC-2460648 | 432.15 |
| RIPPER - PIN PULLER | RJG1-UP | | | | | | |
| | 6E3113 | | P-UB-10 | 1-3/4 | 4 | CTC-2404819 | 149.01 |
| RIPPER LIFT LH | 4PP1-UP; BRT1-UP; BEY1-UP | | | | | | |
| | 1926446 | | P-UB-10 | 3-1/2 | 9-1/4 | CTC-2610582 | 265.64 |
| RIPPER LIFT RH | 4PP1-UP; BRT1-UP; BEY1-UP | | | | | | |
| | 1926445 | | P-UB-10 | 3-1/2 | 9-1/4 | CTC-2610582 | 265.64 |
| RIPPER TILT | 4PP1-UP; BRT1-UP; BEY1-UP | | | | | | |
| | 4T9977 | | P-UB-10 | 3-1/4 | 8-1/4 | CTC-4T9977K | 213.65 |
| MODEL D11N | | | | | | | |
| DOZER LIFT LH | 4T2727 | | P-UB-10 | 4 | 7 | CTC-1326783 | 327.11 |
| | 4T2727 | | P-UB-10 | 4 | 7 | CTC-8T1457 | 263.46 |
| DOZER LIFT RH | 4T2728 | | P-UB-10 | 4 | 7 | CTC-1326783 | 327.11 |
| | 4T2728 | | P-UB-10 | 4 | 7 | CTC-8T1457 | 263.46 |
| DOZER TILT | 1U2711 | | P-UB-10 | 4 | 10-1/2 | CTC-1324932 | 495.68 |
| | 9T1180 | | P-UB-10 | 4 | 9-1/4 | CTC-7X2799 | 389.51 |
| | 9T4276 | | P-UB-10 | 4 | 9-1/4 | CTC-7X2799 | 389.51 |

REPLACEMENT KITS FOR CATERPILLAR® EQUIPMENT

| Crawler Dozers | | | | | | | |
|-------------------|--|--------------------------------|---------|-------|--------|-------------|--------|
| APPLICATION | CYL # | Misc-Parts, Instructions, etc. | CODE | ROD | BORE | KIT # | |
| MODEL D11N | | | | | | | |
| PIN PULLER | | | | | | | |
| | 6E3113 | | P-UB-10 | 1-3/4 | 4 | CTC-2404819 | 149.01 |
| | 9T2066 | | P-UB-10 | 1-1/2 | 4 | CTC-7X2738 | 119.97 |
| RIPPER | | | | | | | |
| | 4T7985 | | P-UB-10 | 3-1/4 | 8-1/4 | CTC-7X2715 | 344.14 |
| RIPPER PIN PULLER | | | | | | | |
| | 9T2066 | | P-UB-10 | 1-1/2 | 4 | CTC-7X2738 | 119.97 |
| RIPPER TILT | | | | | | | |
| | 3G2220 | | P-UB-10 | 3-1/4 | 8-1/4 | CTC-7X2801 | 312.90 |
| | 3G3220 | | P-UB-10 | 3-1/4 | 8-1/4 | CTC-7X2715 | 344.14 |
| | 4T7985 | | P-UB-10 | 3-1/4 | 8-1/4 | CTC-7X2715 | 344.14 |
| TILT | | | | | | | |
| | 9T3715 | | P-UB-10 | 4 | 10-1/2 | CTC-1324932 | 495.68 |
| | 9T3716 | | P-UB-10 | 4 | 10-1/2 | CTC-1324932 | 495.68 |
| MODEL D11R | | | | | | | |
| DOZER | | | | | | | |
| | 1U2711 | | P-UB-10 | 4 | 10-1/2 | CTC-1324932 | 495.68 |
| DOZER LH | | | | | | | |
| | 4T2727 | | P-UB-10 | 4 | 7 | CTC-1326783 | 327.11 |
| | 4T2727 | | P-UB-10 | 4 | 7 | CTC-8T1457 | 263.46 |
| DOZER RH | | | | | | | |
| | 4T2728 | | P-UB-10 | 4 | 7 | CTC-1326783 | 327.11 |
| | 4T2728 | | P-UB-10 | 4 | 7 | CTC-8T1457 | 263.46 |
| PIN PULLER | | | | | | | |
| | 6E3113 | | P-UB-10 | 1-3/4 | 4 | CTC-1316108 | 149.01 |
| | 9T2066 | | P-UB-10 | 1-1/2 | 4 | CTC-7X2738 | 119.97 |
| RIPPER | | | | | | | |
| | 1616615 | | P-UB-10 | 3-1/2 | 10 | CTC-2460635 | 621.85 |
| RIPPER LH | | | | | | | |
| | 1616616 | | P-UB-10 | 3-1/2 | 10 | CTC-2460635 | 621.85 |
| | 1617563 | | P-UB-10 | 4-1/2 | 220 mm | CTC-2295546 | 507.05 |
| RIPPER RH | | | | | | | |
| | 1617562 | | P-UB-10 | 4-1/2 | 220 mm | CTC-2295546 | 507.05 |
| TILT | | | | | | | |
| | 9T3715 | | P-UB-10 | 4 | 10-1/2 | CTC-1324932 | 495.68 |
| | 9T3716 | | P-UB-10 | 4 | 10-1/2 | CTC-1324932 | 495.68 |
| MODEL D11T | | | | | | | |
| LIFT | | | | | | | |
| | AMA1-; GEB1-; JEL1-; 8PP1-; 8RP1- 2520471 | | P-UB-10 | 4 | 7 | CTC-3189225 | 332.42 |
| | AMA1-; JEL1-; JNS1-; MDG1- 2618004 | | P-UB-10 | 4 | 7 | CTC-4161944 | 274.73 |
| | BHZ1-; GEB1-; TPB1- 2520473 | | P-UB-10 | 4 | 7 | CTC-3189225 | 332.42 |
| RIPPER LIFT | | | | | | | |
| | AMA1-; GAZ1-; JJC1-; JEL1-; JJC1-; LJA1-; MJM1- 3401877 | | P-UB-10 | 3-1/2 | 10 | CTC-2460635 | 621.85 |
| RIPPER LIFT LH | | | | | | | |
| | 7ZP1- 1616616 | | P-UB-10 | 3-1/2 | 10 | CTC-2460635 | 621.85 |
| | GAZ1-; 5MP1-; 7CP1-; 7DP1-; 7PP1- 1018614 | | P-UB-10 | 3-1/2 | 10 | CTC-2460635 | 621.85 |
| RIPPER LIFT RH | | | | | | | |
| | 7ZP1- 1616615 | | P-UB-10 | 3-1/2 | 10 | CTC-2460635 | 621.85 |

REPLACEMENT KITS FOR CATERPILLAR® EQUIPMENT

| Crawler Dozers | | | | | | | |
|---------------------------|---|--------------------------------|---------|-------|--------|--------------|---------|
| APPLICATION | CYL # | Misc-Parts, Instructions, etc. | CODE | ROD | BORE | KIT # | |
| MODEL D11T | | | | | | | |
| RIPPER LIFT RH | | | | | | | |
| | GAZ1-; 5MP1-; 7CP1-; 7DP1-; 7PP1- | | | | | | |
| | 1018581 | | P-UB-10 | 3-1/2 | 10 | CTC-2460635 | 621.85 |
| RIPPER PIN PULLER | | | | | | | |
| | AMA1-; GEB1-; JEL1-; JNS1-; TPB1-; 7YP1-; 7ZP1- | | | | | | |
| | 6E3113 | | P-UB-10 | 1-3/4 | 4 | CTC-2404819 | 149.01 |
| RIPPER TILT LH | | | | | | | |
| | AMA1-; GAZ1-; LJA1-; JJC1-; JCJ1-; JEL1-; MJM1-; 5MP1-; 7CP1-; 7DP1-; 7PP1- | | | | | | |
| | 1306381 | | P-UB-10 | 3-3/4 | 7-3/4 | CTC-2459840 | 458.21 |
| RIPPER TILT RH | | | | | | | |
| | AMA1-; GAZ1-; LJA1-; JJC1-; JCJ1-; JEL1-; MJM1-; 5MP1-; 7CP1-; 7DP1-; 7PP1- | | | | | | |
| | 1303263 | | P-UB-10 | 3-3/4 | 7-3/4 | CTC-2459840 | 458.21 |
| TILT | | | | | | | |
| | GEB1- | | | | | | |
| | 3082444 | | P-UB-10 | 4 | 10-1/2 | CTC-2460649 | 652.34 |
| | 3672255 | | P-UB-10 | 4 | 10-1/2 | CTC-2460649 | 652.34 |
| TILT LH | | | | | | | |
| | 7ZP1- | | | | | | |
| | 1617563 | | P-UB-10 | 4-1/2 | 220 mm | CTC-2295546 | 507.05 |
| | 8PP1-; 8RP1- | | | | | | |
| | 3082462 | | P-UB-10 | 4 | 10-1/2 | CTC-2460649 | 652.34 |
| | AMA1-; JEL1-; 8PP1-; 8RP1- | | | | | | |
| | 3672259 | | P-UB-10 | 4 | 10-1/2 | CTC-2460649 | 652.34 |
| | BHZ1-; JNS1-; MDG1- | | | | | | |
| | 3082465 | | P-UB-10 | 5 | 11 | CTC-3082465K | 756.03 |
| TILT RH | | | | | | | |
| | 7ZP1- | | | | | | |
| | 1617562 | | P-UB-10 | 4-1/2 | 220 mm | CTC-2295546 | 507.05 |
| | 8PP1-; 8RP1- | | | | | | |
| | 3082464 | | P-UB-10 | 4 | 10-1/2 | CTC-2460649 | 652.34 |
| | AMA1-; JEL1-; 8PP1-; 8RP1- | | | | | | |
| | 3672258 | | P-UB-10 | 4 | 10-1/2 | CTC-2460649 | 652.34 |
| | BHZ1-; JNS1-; MDG1- | | | | | | |
| | 3082467 | | P-UB-10 | 5 | 10 | CTC-3082467K | 568.04 |
| Crawler Loaders | | | | | | | |
| APPLICATION | CYL # | Misc-Parts, Instructions, etc. | CODE | ROD | BORE | KIT # | List \$ |
| MODEL 931 | | | | | | | |
| BACKHOE BOOM | | | | | | | |
| | 3G5767 | | P-UB-10 | 2-1/4 | 4-1/2 | CTC-7X2748 | 147.58 |
| | 8J5555 | | P-UB-10 | 2-1/4 | 4-1/2 | CTC-7X2748 | 147.58 |
| BACKHOE BUCKET | | | | | | | |
| | 3G5905 | | P-UB-10 | 2-1/4 | 3-1/2 | CTC-7X2818 | 123.74 |
| | 8J5642 | | P-UB-10 | 2-1/4 | 3-1/2 | CTC-7X2818 | 123.74 |
| BACKHOE STABILIZER | | | | | | | |
| | 1U2655 | | P-UB-10 | 2 | 4 | CTC-1328816 | 127.22 |
| | 1U2656 | | P-UB-10 | 2 | 4 | CTC-1328816 | 127.22 |
| | 3G6792 | | P-UB-10 | 1-1/2 | 3-1/2 | CTC-7X2752 | 130.85 |
| | 8J6903 | | P-UB-10 | 2 | 4 | CTC-1328816 | 127.22 |
| | 8J6904 | | P-UB-10 | 2 | 4 | CTC-1328816 | 127.22 |
| | 8J9481 | | P-UB-10 | 1-1/2 | 3-1/2 | CTC-7X2752 | 130.85 |
| BACKHOE STICK | | | | | | | |
| | 3G5771 | | P-UB-10 | 2 | 4 | CTC-1328816 | 127.22 |
| | 8J5448 | | P-UB-10 | 2 | 4 | CTC-1328816 | 127.22 |
| LIFT | | | | | | | |
| | 7J5893 | | P-UB-10 | 2 | 4 | CTC-1328816 | 127.22 |
| | 7J5894 | | P-UB-10 | 2 | 4 | CTC-1328816 | 127.22 |

CATERPILLAR®

REPLACEMENT KITS FOR CATERPILLAR® EQUIPMENT

| Crawler Loaders | | | | | | | |
|----------------------------------|--------|--------------------------------|---------|-------|-------|-------------|--------|
| APPLICATION | CYL # | Misc-Parts, Instructions, etc. | CODE | ROD | BORE | KIT # | |
| MODEL 931 | | | | | | | |
| M.P. BUCKET | | | | | | | |
| | 3G7365 | | P-UB-10 | 1-1/2 | 3-1/2 | CTC-7X2752 | 130.85 |
| | 8J5391 | | P-UB-10 | 1-1/2 | 3-1/2 | CTC-7X2752 | 130.85 |
| RIPPER | | | | | | | |
| | 7J9920 | | P-UB-10 | 2 | 4 | CTC-1328816 | 127.22 |
| TILT | | | | | | | |
| | 7J5885 | | P-UB-10 | 1-3/4 | 3 | CTC-7X2791 | 121.52 |
| | 9J7905 | | P-UB-10 | 1-3/4 | 3 | CTC-7X2791 | 121.52 |
| MODEL 931B | | | | | | | |
| BACKHOE BOOM/BUCKET | | | | | | | |
| | 3G5767 | | P-UB-10 | 2-1/4 | 4-1/2 | CTC-1326770 | 198.07 |
| | 3G5905 | | P-UB-10 | 2-1/4 | 3-1/2 | CTC-1358166 | 222.91 |
| BACKHOE BUCKET | | | | | | | |
| | 8J5642 | | P-UB-10 | 2-1/4 | 3-1/2 | CTC-7X2818 | 123.74 |
| BACKHOE STABILIZER | | | | | | | |
| | 8J6903 | | P-UB-10 | 2 | 4 | CTC-7X2789 | 139.93 |
| | 8J6904 | | P-UB-10 | 2 | 4 | CTC-7X2789 | 139.93 |
| | 8J9481 | | P-UB-10 | 1-1/2 | 3-1/2 | CTC-7X2752 | 130.85 |
| BACKHOE STICK/BLADE SHIFT | | | | | | | |
| | 3G5771 | | P-UB-10 | 2 | 4 | CTC-1328816 | 127.22 |
| LIFT | | | | | | | |
| | 7J5893 | | P-UB-10 | 2 | 4 | CTC-1328816 | 127.22 |
| | 7J5894 | | P-UB-10 | 2 | 4 | CTC-1328816 | 127.22 |
| LIFT LH | | | | | | | |
| | 6E0214 | | P-UB-10 | 2 | 4 | CTC-1328816 | 127.22 |
| | 9T6705 | | P-UB-10 | 2 | 4 | CTC-1328816 | 127.22 |
| LIFT RH | | | | | | | |
| | 9T6704 | | P-UB-10 | 2 | 4 | CTC-1328816 | 127.22 |
| M.P. BUCKET | | | | | | | |
| | 3G7365 | | P-UB-10 | 1-1/2 | 3-1/2 | CTC-7X2752 | 130.85 |
| RIPPER | | | | | | | |
| | 7J9920 | | P-UB-10 | 2 | 4 | CTC-1328816 | 127.22 |
| STABILIZER | | | | | | | |
| | 3G6792 | | P-UB-10 | 1-1/2 | 3-1/2 | CTC-7X2752 | 130.85 |
| | 8J6903 | | P-UB-10 | 2 | 4 | CTC-7X2789 | 139.93 |
| | 8J6904 | | P-UB-10 | 2 | 4 | CTC-7X2789 | 139.93 |
| | 8J9481 | | P-UB-10 | 1-1/2 | 3-1/2 | CTC-7X2752 | 130.85 |
| STABILIZER LH | | | | | | | |
| | 1U2656 | | P-UB-10 | 2 | 4 | CTC-1328816 | 127.22 |
| STABILIZER RH | | | | | | | |
| | 1U2655 | | P-UB-10 | 2 | 4 | CTC-1328816 | 127.22 |
| TILT | | | | | | | |
| | 1U3165 | | P-UB-10 | 1-3/4 | 3-1/4 | CTC-7X2764 | 94.31 |
| | 4T0963 | | P-UB-10 | 1-3/4 | 3-1/4 | CTC-7X2764 | 94.31 |
| | 7J5885 | | P-UB-10 | 1-3/4 | 3 | CTC-7X2791 | 121.52 |
| | 9J7905 | | P-UB-10 | 1-3/4 | 3 | CTC-7X2791 | 121.52 |
| MODEL 931C | | | | | | | |
| BACKHOE BOOM/BUCKET | | | | | | | |
| | 3G5767 | | P-UB-10 | 2-1/4 | 4-1/2 | CTC-1326770 | 198.07 |
| | 3G5767 | | P-UB-10 | 2-1/4 | 4-1/2 | CTC-7X2748 | 147.58 |
| | 3G5905 | | P-UB-10 | 2-1/4 | 3-1/2 | CTC-1358166 | 222.91 |
| BACKHOE BUCKET | | | | | | | |
| | 8J5642 | | P-UB-10 | 2-1/4 | 3-1/2 | CTC-7X2818 | 123.74 |

REPLACEMENT KITS FOR CATERPILLAR® EQUIPMENT

| Crawler Loaders | | | | | | | |
|----------------------------------|---------|--------------------------------|---------|-------|-------|-------------|--------|
| APPLICATION | CYL # | Misc-Parts, Instructions, etc. | CODE | ROD | BORE | KIT # | |
| MODEL 931C | | | | | | | |
| BACKHOE STABILIZER | | | | | | | |
| | 1U2655 | | P-UB-10 | 2 | 4 | CTC-7X2789 | 139.93 |
| | 1U2656 | | P-UB-10 | 2 | 4 | CTC-7X2789 | 139.93 |
| | 3G6792 | | P-UB-10 | 1-1/2 | 3-1/2 | CTC-7X2752 | 130.85 |
| | 8J6903 | | P-UB-10 | 2 | 4 | CTC-7X2789 | 139.93 |
| | 8J6904 | | P-UB-10 | 2 | 4 | CTC-7X2789 | 139.93 |
| | 8J9481 | | P-UB-10 | 1-1/2 | 3-1/2 | CTC-7X2752 | 130.85 |
| BACKHOE STICK/BLADE SHIFT | | | | | | | |
| | 3G5771 | | P-UB-10 | 2 | 4 | CTC-1328816 | 127.22 |
| BUCKET | | | | | | | |
| | 3G7365 | | P-UB-10 | 1-1/2 | 3-1/2 | CTC-7X2752 | 130.85 |
| LIFT | | | | | | | |
| | 7J5893 | | P-UB-10 | 2 | 4 | CTC-1328816 | 127.22 |
| | 7J5894 | | P-UB-10 | 2 | 4 | CTC-1328816 | 127.22 |
| LIFT LH | | | | | | | |
| | 6E0214 | | P-UB-10 | 2 | 4 | CTC-1328816 | 127.22 |
| | 9T6705 | | P-UB-10 | 2 | 4 | CTC-1328816 | 127.22 |
| LIFT RH | | | | | | | |
| | 9T6704 | | P-UB-10 | 2 | 4 | CTC-1328816 | 127.22 |
| M.P. BUCKET | | | | | | | |
| | 3G7365 | | P-UB-10 | 1-1/2 | 3-1/2 | CTC-7X2752 | 130.85 |
| RIPPER | | | | | | | |
| | 7J9920 | | P-UB-10 | 2 | 4 | CTC-1328816 | 127.22 |
| STABILIZER | | | | | | | |
| | 3G6792 | | P-UB-10 | 1-1/2 | 3-1/2 | CTC-7X2752 | 130.85 |
| STABILIZER LH | | | | | | | |
| | 1U2656 | | P-UB-10 | 2 | 4 | CTC-1328816 | 127.22 |
| STABILIZER RH | | | | | | | |
| | 1U2655 | | P-UB-10 | 2 | 4 | CTC-1328816 | 127.22 |
| TILT | | | | | | | |
| | 4T0963 | | P-UB-10 | 1-3/4 | 3-1/4 | CTC-7X2764 | 94.31 |
| MODEL 933 | | | | | | | |
| BUCKET | | | | | | | |
| | 3G7365 | | P-UB-10 | 1-1/2 | 3-1/2 | CTC-7X2752 | 130.85 |
| LIFT LH | | | | | | | |
| | 1052808 | | P-UB-10 | 2 | 4 | CTC-1328816 | 127.22 |
| LIFT RH | | | | | | | |
| | 1052886 | | P-UB-10 | 2 | 4 | CTC-1328816 | 127.22 |
| | 6E0212 | | P-UB-10 | 2 | 4 | CTC-1328816 | 127.22 |
| RIPPER | | | | | | | |
| | 7J9920 | | P-UB-10 | 2 | 4 | CTC-1328816 | 127.22 |
| TILT | | | | | | | |
| | 1012493 | | P-UB-10 | 1-3/4 | 3-1/2 | CTC-7X2784 | 77.28 |
| | 1368600 | | P-UB-10 | 1-3/4 | 3-1/2 | CTC-7X2784 | 77.28 |
| MODEL 933C | | | | | | | |
| BUCKET | | | | | | | |
| | 1494362 | | P-UB-10 | 2 | 4 | CTC-1328816 | 127.22 |
| LIFT RH | | | | | | | |
| | 1412421 | | P-UB-10 | 2 | 4 | CTC-1328816 | 127.22 |
| RIPPER | | | | | | | |
| | 7J9920 | | P-UB-10 | 2 | 4 | CTC-1328816 | 127.22 |
| TILT | | | | | | | |
| | 1214264 | | P-UB-10 | 1-3/4 | 3-1/2 | CTC-7X2784 | 77.28 |
| TRACK ADJUSTER | | | | | | | |
| | | | TRK ADJ | | | CTC-FIG4400 | 65.89 |

REPLACEMENT KITS FOR CATERPILLAR® EQUIPMENT

| Crawler Loaders | | | | | | | |
|-------------------------------|--------|--------------------------------|---------|-------|-------|-------------|--------|
| APPLICATION | CYL # | Misc-Parts, Instructions, etc. | CODE | ROD | BORE | KIT # | |
| MODEL 933E, 933F, 933G | | | | | | | |
| TRACK ADJUSTER | | | | | | | |
| | | | TRK ADJ | | | CTC-FIG4400 | 65.89 |
| MODEL 935B | | | | | | | |
| BACKHOE / BOOM BUCKET | | | | | | | |
| | 3G5767 | | P-UB-10 | 2-1/4 | 4-1/2 | CTC-1326770 | 198.07 |
| | 3G5905 | | P-UB-10 | 2-1/4 | 3-1/2 | CTC-1358166 | 222.91 |
| BACKHOE BUCKET | | | | | | | |
| | 3G7365 | | P-UB-10 | 1-1/2 | 3-1/2 | CTC-7X2752 | 130.85 |
| BACKHOE STICK/BLADE SHIFT | | | | | | | |
| | 3G5771 | | P-UB-10 | 2 | 4 | CTC-1328816 | 127.22 |
| LIFT | | | | | | | |
| | 7J5893 | | P-UB-10 | 2 | 4 | CTC-1328816 | 127.22 |
| | 7J5894 | | P-UB-10 | 2 | 4 | CTC-1328816 | 127.22 |
| LIFT LH | | | | | | | |
| | 6E0214 | | P-UB-10 | 2 | 4 | CTC-1328816 | 127.22 |
| | 9T6705 | | P-UB-10 | 2 | 4 | CTC-1328816 | 127.22 |
| LIFT RH | | | | | | | |
| | 9T6704 | | P-UB-10 | 2 | 4 | CTC-1328816 | 127.22 |
| RIPPER | | | | | | | |
| | 7J9920 | | P-UB-10 | 2 | 4 | CTC-1328816 | 127.22 |
| STABILIZER | | | | | | | |
| | 3G6792 | | P-UB-10 | 1-1/2 | 3-1/2 | CTC-7X2752 | 130.85 |
| STABILIZER LH | | | | | | | |
| | 1U2656 | | P-UB-10 | 2 | 4 | CTC-1328816 | 127.22 |
| STABILIZER RH | | | | | | | |
| | 1U2655 | | P-UB-10 | 2 | 4 | CTC-1328816 | 127.22 |
| TILT | | | | | | | |
| | 4T0963 | | P-UB-10 | 1-3/4 | 3-1/4 | CTC-7X2764 | 94.31 |
| MODEL 935C | | | | | | | |
| BACKHOE BOOM/BUCKET | | | | | | | |
| | 3G5767 | | P-UB-10 | 2-1/4 | 4-1/2 | CTC-1326770 | 198.07 |
| | 3G5905 | | P-UB-10 | 2-1/4 | 3-1/2 | CTC-1358166 | 222.91 |
| BACKHOE BUCKET | | | | | | | |
| | 3G7365 | | P-UB-10 | 1-1/2 | 3-1/2 | CTC-7X2752 | 130.85 |
| BACKHOE STICK/BLADE SHIFT | | | | | | | |
| | 3G5771 | | P-UB-10 | 2 | 4 | CTC-1328816 | 127.22 |
| LIFT | | | | | | | |
| | 7J5893 | | P-UB-10 | 2 | 4 | CTC-1328816 | 127.22 |
| | 7J5894 | | P-UB-10 | 2 | 4 | CTC-1328816 | 127.22 |
| LIFT LH | | | | | | | |
| | 6E0214 | | P-UB-10 | 2 | 4 | CTC-1328816 | 127.22 |
| | 9T6705 | | P-UB-10 | 2 | 4 | CTC-1328816 | 127.22 |
| LIFT RH | | | | | | | |
| | 6E0212 | | P-UB-10 | 2 | 4 | CTC-1328816 | 127.22 |
| | 9T6704 | | P-UB-10 | 2 | 4 | CTC-1328816 | 127.22 |
| RIPPER | | | | | | | |
| | 7J9920 | | P-UB-10 | 2 | 4 | CTC-1328816 | 127.22 |
| STABILIZER | | | | | | | |
| | 3G6792 | | P-UB-10 | 1-1/2 | 3-1/2 | CTC-7X2752 | 130.85 |
| STABILIZER LH | | | | | | | |
| | 1U2656 | | P-UB-10 | 2 | 4 | CTC-1328816 | 127.22 |
| STABILIZER RH | | | | | | | |
| | 1U2655 | | P-UB-10 | 2 | 4 | CTC-1328816 | 127.22 |
| TILT | | | | | | | |
| | 4T0963 | | P-UB-10 | 1-3/4 | 3-1/4 | CTC-7X2764 | 94.31 |

REPLACEMENT KITS FOR CATERPILLAR® EQUIPMENT

| Crawler Loaders | | | | | | | |
|-----------------------|--------------------|--------------------------------|---------|-------|-------|-------------|--------|
| APPLICATION | CYL # | Misc-Parts, Instructions, etc. | CODE | ROD | BORE | KIT # | |
| MODEL 939 | | | | | | | |
| BUCKET | | | | | | | |
| | 3G7365 | | P-UB-10 | 1-1/2 | 3-1/2 | CTC-7X2752 | 130.85 |
| LIFT LH | | | | | | | |
| | 1052808 | | P-UB-10 | 2 | 4 | CTC-1328816 | 127.22 |
| LIFT RH | | | | | | | |
| | 1052886 | | P-UB-10 | 2 | 4 | CTC-1328816 | 127.22 |
| | 6E0212 | | P-UB-10 | 2 | 4 | CTC-1328816 | 127.22 |
| RIPPER | | | | | | | |
| | 7J9920 | | P-UB-10 | 2 | 4 | CTC-1328816 | 127.22 |
| TILT | | | | | | | |
| | 1012518 | | P-UB-10 | 2 | 4 | CTC-1328816 | 127.22 |
| | 1363129 | | P-UB-10 | 2 | 4 | CTC-1328816 | 127.22 |
| MODEL 939C | | | | | | | |
| BUCKET | | | | | | | |
| | 1494362 | | P-UB-10 | 2 | 4 | CTC-1328816 | 127.22 |
| LIFT | | | | | | | |
| | 1412422 | | P-UB-10 | 2-1/2 | 4-1/2 | CTC-1113300 | 187.32 |
| RIPPER | | | | | | | |
| | 7J9920 | | P-UB-10 | 2 | 4 | CTC-1328816 | 127.22 |
| TILT | | | | | | | |
| | 1414266 | | P-UB-10 | 2 | 4 | CTC-1328816 | 127.22 |
| MODEL 941 | | | | | | | |
| BUCKET | | | | | | | |
| | 7J6789 | | P-UB-10 | 2 | 4 | CTC-7X2789 | 139.93 |
| | 8J5663 | | P-UB-10 | 2 | 4 | CTC-7X2789 | 139.93 |
| BUCKET LH | | | | | | | |
| | 6J2806 | | P-UB-10 | 2 | 4 | CTC-7X2789 | 139.93 |
| BUCKET RH | | | | | | | |
| | 6J2805 | | P-UB-10 | 2 | 4 | CTC-7X2789 | 139.93 |
| LIFT | | | | | | | |
| | 8J6868 | | P-UB-10 | 2-1/2 | 4 | CTC-7X2659 | 170.54 |
| LIFT LH | | | | | | | |
| | 6J3082 | | P-UB-10 | 2-1/4 | 4 | CTC-7X2802 | 125.77 |
| | 7J9862 | | P-UB-10 | 2-1/4 | 4 | CTC-7X2802 | 125.77 |
| | 9J5726 | | P-UB-10 | 2-1/4 | 4 | CTC-7X2802 | 125.77 |
| LIFT RH | | | | | | | |
| | 6J3081 | | P-UB-10 | 2-1/4 | 4 | CTC-7X2802 | 125.77 |
| | 7J9861 | | P-UB-10 | 2-1/4 | 4 | CTC-7X2802 | 125.77 |
| | 9J5725 | | P-UB-10 | 2-1/4 | 4 | CTC-7X2802 | 125.77 |
| PUMP | | | | | | | |
| | 16U; 32F; 80H; 86J | | | | | | |
| | 9J5080 | w/ Felt Ring | | | | CTC-4J9281 | 25.33 |
| | 9J5080 | w/ FKM Oil Seal | | | | CTC-9J5116 | 37.73 |
| | 80H; 86J | | | | | | |
| | 7J0583 | | | | | CTC-9J5111 | 57.54 |
| RIPPER | | | | | | | |
| | 6J3308 | | P-UB-10 | 2-1/2 | 5-1/2 | CTC-8T1374 | 128.10 |
| | 6J3308 | | P-UB-10 | 2-1/2 | 5-1/2 | CTC-9X2050 | 138.10 |
| SIDE DUMP | | | | | | | |
| | 8J5670 | | P-UB-10 | 2 | 4 | CTC-7X2755 | 156.44 |
| | 8J5670 | | P-UB-10 | 2 | 4 | CTC-7X7937 | 191.83 |
| TILT | | | | | | | |
| | | | P-UB-10 | 2-3/8 | 4 | CTC-2418925 | 77.46 |
| TRACK ADJUSTER | | | | | | | |
| | | | TRK ADJ | | | CTC-FIG4400 | 65.89 |

REPLACEMENT KITS FOR CATERPILLAR® EQUIPMENT

| Crawler Loaders | | | | | | | |
|------------------------|--------------------|--------------------------------|---------|-------|-------|-------------|--------|
| APPLICATION | CYL # | Misc-Parts, Instructions, etc. | CODE | ROD | BORE | KIT # | |
| MODEL 941B | | | | | | | |
| BUCKET | | | | | | | |
| | 7J6789 | | P-UB-10 | 2 | 4 | CTC-7X2789 | 139.93 |
| | 8J5663 | | P-UB-10 | 2 | 4 | CTC-7X2789 | 139.93 |
| LIFT LH | | | | | | | |
| | 6J3082 | | P-UB-10 | 2-1/4 | 4 | CTC-7X2802 | 125.77 |
| | 7J9862 | | P-UB-10 | 2-1/4 | 4 | CTC-7X2802 | 125.77 |
| | 9J5726 | | P-UB-10 | 2-1/4 | 4 | CTC-7X2802 | 125.77 |
| LIFT RH | | | | | | | |
| | 6J3081 | | P-UB-10 | 2-1/4 | 4 | CTC-7X2802 | 125.77 |
| | 7J9861 | | P-UB-10 | 2-1/4 | 4 | CTC-7X2802 | 125.77 |
| | 9J5725 | | P-UB-10 | 2-1/4 | 4 | CTC-7X2802 | 125.77 |
| M.P. BUCKET | | | | | | | |
| | 8J5663 | | P-UB-10 | 2 | 4 | CTC-7X2789 | 139.93 |
| M.P. BUCKET LH | | | | | | | |
| | 6J2806 | | P-UB-10 | 2 | 4 | CTC-7X2789 | 139.93 |
| M.P. BUCKET RH | | | | | | | |
| | 6J2805 | | P-UB-10 | 2 | 4 | CTC-7X2789 | 139.93 |
| PUMP | | | | | | | |
| | 16U; 32F; 80H; 86J | | | | | | |
| | 9J5080 | w/ Felt Ring | | | | CTC-4J9281 | 25.33 |
| | 9J5080 | w/ FKM Oil Seal | | | | CTC-9J5116 | 37.73 |
| | 80H; 86J | | | | | | |
| | 7J0583 | | | | | CTC-9J5111 | 57.54 |
| RIPPER | | | | | | | |
| | 6J3308 | | P-UB-10 | 2-1/2 | 5-1/2 | CTC-8T1374 | 128.10 |
| | 6J3308 | | P-UB-10 | 2-1/2 | 5-1/2 | CTC-9X2050 | 138.10 |
| SIDE DUMP | | | | | | | |
| | 8J5670 | | P-UB-10 | 2 | 4 | CTC-7X2755 | 156.44 |
| | 8J5670 | | P-UB-10 | 2 | 4 | CTC-7X7937 | 191.83 |
| TILT | | | | | | | |
| | | | P-UB-10 | 2-3/8 | 4 | CTC-2418925 | 77.46 |
| TRACK ADJUSTER | | | | | | | |
| | | | TRK ADJ | | | CTC-FIG4400 | 65.89 |
| MODEL 943 | | | | | | | |
| BUCKET | | | | | | | |
| | 4T9387 | | P-UB-10 | 2 | 4 | CTC-1328816 | 127.22 |
| | 9J4892 | | P-UB-10 | 2 | 4 | CTC-7X2789 | 139.93 |
| BUCKET TILT | | | | | | | |
| | 1U4802 | | P-UB-10 | 2-1/2 | 4-3/4 | CTC-7X2660 | 246.36 |
| LIFT | | | | | | | |
| | 4T1963 | | P-UB-10 | 2-1/4 | 4 | CTC-1361171 | 139.03 |
| | 9J0532 | | P-UB-10 | 2-1/4 | 4 | CTC-1361171 | 139.03 |
| M.P. BUCKET | | | | | | | |
| | 9J4892 | | P-UB-10 | 2 | 4 | CTC-7X2789 | 139.93 |
| RIPPER | | | | | | | |
| | 3G1296 | | P-UB-10 | 2 | 4 | CTC-1328816 | 127.22 |
| TILT | | | | | | | |
| | 1U4802 | | P-UB-10 | 2-1/2 | 4-3/4 | CTC-7X2660 | 246.36 |
| | 3G4653 | | P-UB-10 | 2-1/2 | 4-3/4 | CTC-7X2660 | 246.36 |
| MODEL 943B | | | | | | | |
| BUCKET | | | | | | | |
| | 4T9387 | | P-UB-10 | 2 | 4 | CTC-1328816 | 127.22 |
| LIFT | | | | | | | |
| | 9T3623 | | P-UB-10 | 2-1/4 | 4 | CTC-1361171 | 139.03 |
| RIPPER | | | | | | | |
| | 3G1296 | | P-UB-10 | 2 | 4 | CTC-1328816 | 127.22 |

REPLACEMENT KITS FOR CATERPILLAR® EQUIPMENT

| Crawler Loaders | | | | | | | |
|-------------------------|--------|--------------------------------|---------|-------|-------|-------------|--------|
| APPLICATION | CYL # | Misc-Parts, Instructions, etc. | CODE | ROD | BORE | KIT # | |
| MODEL 943B | | | | | | | |
| TILT | | | | | | | |
| | 6E0257 | | P-UB-10 | 2-1/2 | 4-3/4 | CTC-1328811 | 209.77 |
| MODEL 951 | | | | | | | |
| LIFT | | | | | | | |
| | 7J9821 | | P-UB-10 | 2-1/4 | 4-1/4 | CTC-7X2750 | 156.90 |
| | 7J9822 | | P-UB-10 | 2-1/4 | 4-1/4 | CTC-7X2750 | 156.90 |
| | 9J5728 | | P-UB-10 | 2-1/4 | 4-1/4 | CTC-7X2750 | 156.90 |
| LIFT RH | | | | | | | |
| | 9J5727 | | P-UB-10 | 2-1/4 | 4-1/4 | CTC-7X2750 | 156.90 |
| LOG FORK LH | | | | | | | |
| | 8J5677 | | P-V-10 | 2 | 5 | CTC-7X2763 | 185.79 |
| LOG FORK RH | | | | | | | |
| | 8J5676 | | P-V-10 | 2 | 5 | CTC-7X2763 | 185.79 |
| M.P. BUCKET LH | | | | | | | |
| | 6J2806 | | P-UB-10 | 2 | 4 | CTC-7X2789 | 139.93 |
| M.P. BUCKET RH | | | | | | | |
| | 6J2805 | | P-UB-10 | 2 | 4 | CTC-7X2789 | 139.93 |
| RIPPER | | | | | | | |
| | 6J3308 | | P-UB-10 | 2-1/2 | 5-1/2 | CTC-8T1374 | 128.10 |
| TILT | | | | | | | |
| | 4T9387 | | P-UB-10 | 2 | 4 | CTC-7X2789 | 139.93 |
| | 5J9815 | | P-UB-10 | 2-3/8 | 4-1/4 | CTC-8T1464 | 73.54 |
| | 5J9816 | | P-UB-10 | 2-3/8 | 4-1/4 | CTC-8T1464 | 73.54 |
| | 8J5939 | | P-UB-10 | 2-3/8 | 4-1/4 | CTC-8T1464 | 73.54 |
| TILT LH | | | | | | | |
| | 2K3744 | | P-V-10 | 2 | 5 | CTC-7X2763 | 185.79 |
| | 3G8083 | | P-UB-10 | 2-3/8 | 4-1/4 | CTC-8T1464 | 73.54 |
| TILT RH | | | | | | | |
| | 2K3743 | | P-V-10 | 2 | 5 | CTC-7X2763 | 185.79 |
| | 7J9833 | | P-UB-10 | 2-3/8 | 4-1/4 | CTC-8T1464 | 73.54 |
| TRACK ADJUSTER | | | | | | | |
| | | | TRK ADJ | | | CTC-FIG4400 | 65.89 |
| MODEL 951B, 951C | | | | | | | |
| BUCKET | | | | | | | |
| | 7J6789 | | P-UB-10 | 2 | 4 | CTC-7X2789 | 139.93 |
| | 8J5663 | | P-UB-10 | 2 | 4 | CTC-7X2789 | 139.93 |
| BUCKET LH | | | | | | | |
| | 6J2806 | | P-UB-10 | 2 | 4 | CTC-7X2789 | 139.93 |
| BUCKET RH | | | | | | | |
| | 6J2805 | | P-UB-10 | 2 | 4 | CTC-7X2789 | 139.93 |
| LIFT LH | | | | | | | |
| | 6J4014 | | P-UB-10 | 2-1/4 | 4-1/4 | CTC-7X2750 | 156.90 |
| | 7J9822 | | P-UB-10 | 2-1/4 | 4-1/4 | CTC-7X2750 | 156.90 |
| | 9J5728 | | P-UB-10 | 2-1/4 | 4-1/4 | CTC-7X2750 | 156.90 |
| LIFT RH | | | | | | | |
| | 6J4013 | | P-UB-10 | 2-1/4 | 4-1/4 | CTC-7X2750 | 156.90 |
| | 7J9821 | | P-UB-10 | 2-1/4 | 4-1/4 | CTC-7X2750 | 156.90 |
| | 9J5727 | | P-UB-10 | 2-1/4 | 4-1/4 | CTC-7X2750 | 156.90 |
| PUMP | | | | | | | |
| 16U; 32F; 80H; 86J | | | | | | | |
| | 9J5080 | w/ Felt Ring | | | | CTC-4J9281 | 25.33 |
| | 9J5080 | w/ FKM Oil Seal | | | | CTC-9J5116 | 37.73 |
| 80H; 86J | | | | | | | |
| | 7J0583 | | | | | CTC-9J5111 | 57.54 |
| RIPPER | | | | | | | |
| | 6J3308 | | P-UB-10 | 2-1/2 | 5-1/2 | CTC-9X2050 | 138.10 |

REPLACEMENT KITS FOR CATERPILLAR® EQUIPMENT

| Crawler Loaders | | | | | | | |
|-------------------------|--------------------|--|---------|-------|--------|--------------|--------|
| APPLICATION | CYL # | Misc-Parts, Instructions, etc. | CODE | ROD | BORE | KIT # | |
| MODEL 951B, 951C | | | | | | | |
| SIDE DUMP | | | | | | | |
| | 8J5670 | | P-UB-10 | 2 | 4 | CTC-7X2755 | 156.44 |
| | 8J5670 | | P-UB-10 | 2 | 4 | CTC-7X7937 | 191.83 |
| TILT | | | | | | | |
| | 6J3308 | | P-UB-10 | 2-1/2 | 5-1/2 | CTC-8T1374 | 128.10 |
| | 8J5939 | | P-UB-10 | 2-3/8 | 4-1/4 | CTC-8T1464 | 73.54 |
| TILT LH | | | | | | | |
| | 3G8083 | | P-UB-10 | 2-3/8 | 4-1/4 | CTC-8T1464 | 73.54 |
| | 5J9815 | | P-UB-10 | 2-3/8 | 4-1/4 | CTC-8T1464 | 73.54 |
| | 5J9816 | | P-UB-10 | 2-3/8 | 4-1/4 | CTC-8T1464 | 73.54 |
| | 7J9834 | | P-UB-10 | 2-3/8 | 4-1/4 | CTC-8T1464 | 73.54 |
| TILT RH | | | | | | | |
| | 7J9833 | | P-UB-10 | 2-3/8 | 4-1/4 | CTC-8T1464 | 73.54 |
| | 8J5939 | | P-UB-10 | 2-3/8 | 4-1/4 | CTC-8T1464 | 73.54 |
| TRACK ADJUSTER | | | | | | | |
| | | 951C only | TRK ADJ | | | CTC-FIG4400 | 65.89 |
| MODEL 953B | | | | | | | |
| BUCKET | | | | | | | |
| | 4T9387 | | P-UB-10 | 2 | 4 | CTC-1328816 | 127.22 |
| LIFT | | | | | | | |
| | 9T3625 | Rod Bearing width- 0.98", Head 9T3609 | P-UB-10 | 2-1/2 | 4-3/4 | CTC-1361131 | 196.39 |
| | 9T3625 | Rod Bearing width- 1.24", Head 1206679 | P-UB-10 | 2-1/2 | 4-3/4 | CTC-2341948 | 124.29 |
| RIPPER | | | | | | | |
| | 3G1296 | | P-UB-10 | 2 | 4 | CTC-1328816 | 127.22 |
| TILT | | | | | | | |
| | 1U0418 | | P-UB-10 | 3 | 5-1/2 | CTC-1281673 | 313.48 |
| MODEL 953C | | | | | | | |
| BUCKET | | | | | | | |
| | 4T9387 | | P-UB-10 | 2 | 4 | CTC-1328816 | 127.22 |
| LIFT | | | | | | | |
| | 9T3625 | Rod Bearing width- 0.98", Head 9T3609 | P-UB-10 | 2-1/2 | 4-3/4 | CTC-1361131 | 196.39 |
| | 9T3625 | Rod Bearing width- 1.24", Head 1206679 | P-UB-10 | 2-1/2 | 4-3/4 | CTC-2341948 | 124.29 |
| RIPPER | | | | | | | |
| | 3G1296 | | P-UB-10 | 2 | 4 | CTC-1328816 | 127.22 |
| TILT | | | | | | | |
| | 1U0418 | | P-UB-10 | 3 | 5-1/2 | CTC-1281673 | 313.48 |
| MODEL 953D | | | | | | | |
| BUCKET MP | | | | | | | |
| | LBP1-UP 2929044 | | P-UB-10 | 2 | 4 | CTC-2929044K | 94.68 |
| LIFT | | | | | | | |
| | LBP1-UP 2488788 | | P-UB-10 | 65 mm | 115 mm | CTC-3925193 | 210.47 |
| | 2526337 | | P-UB-10 | 65 mm | 115 mm | CTC-3925193 | 210.47 |
| RIPPER | | | | | | | |
| | 9JW1-UP 2860814 | | P-UB-10 | 2 | 4 | CTC-2860814K | 94.75 |
| TILT | | | | | | | |
| | LBP1-UP 2696483 | | P-UB-10 | 85 mm | 140 mm | CTC-2696483K | 175.38 |
| MODEL 963B, 963C | | | | | | | |
| CLAMP | | | | | | | |
| | 8J8498 | | P-V-10 | 2 | 4-1/2 | CTC-1328783 | 102.41 |

REPLACEMENT KITS FOR CATERPILLAR® EQUIPMENT

| Crawler Loaders | | | | | | | |
|----------------------------------|--------------------|--------------------------------|---------|-------|--------|--------------|---------|
| APPLICATION | CYL # | Misc-Parts, Instructions, etc. | CODE | ROD | BORE | KIT # | |
| MODEL 963B, 963C | | | | | | | |
| LIFT | | | P-UB-10 | 2-3/4 | 5-1/2 | CTC-2601518 | 168.74 |
| RIPPER | 1228420 | | P-UB-10 | 2-1/4 | 4-1/2 | CTC-1326770 | 198.07 |
| RIPPER RH | 1228421 | | P-UB-10 | 2-1/4 | 4-1/2 | CTC-1326770 | 198.07 |
| TILT | 3G3874 | | P-UB-10 | 3-3/4 | 6-1/2 | CTC-7X2731 | 355.31 |
| MODEL 963D | | | | | | | |
| BUCKET MP | | | | | | | |
| | LCS1-UP | | | | | | |
| | 2929043 | | P-UB-10 | 2 | 4-1/2 | CTC-3260501 | 148.92 |
| LIFT LH | LCS1-UP | | | | | | |
| | 2469101 | | P-UB-10 | 3 | 5 | CTC-2469101K | 146.45 |
| LIFT RH | LCS1-UP | | | | | | |
| | 2940509 | | P-UB-10 | 3 | 5 | CTC-2940509K | 149.82 |
| RIPPER LH | 8XR1-UP | | | | | | |
| | 2860813 | | P-UB-10 | 2-1/4 | 4-1/2 | CTC-3110662 | 94.49 |
| RIPPER RH | 8XR1-UP | | | | | | |
| | 2860812 | | P-UB-10 | 2-1/4 | 4-1/2 | CTC-3110662 | 94.49 |
| TILT | LCS1-UP | | | | | | |
| | 2940510 | | P-UB-10 | 95 mm | 150 mm | CTC-2940510K | 281.05 |
| MODEL 973C | | | | | | | |
| BUCKET | | | | | | | |
| | 9J1822 | | P-UB-10 | 2 | 5 | CTC-7X2788 | 162.73 |
| RIPPER | 4T7606 | | P-UB-10 | 2-1/2 | 5 | CTC-7X2658 | 230.88 |
| TILT | 3G5949 | | P-UB-10 | 3-1/4 | 5-1/2 | CTC-7X2712 | 127.07 |
| Dump Trucks - Articulated | | | | | | | |
| APPLICATION | CYL # | Misc-Parts, Instructions, etc. | CODE | ROD | BORE | KIT # | List \$ |
| MODEL 725 | | | | | | | |
| HOIST | | | | | | | |
| | AFX1-; B1L1- | | | | | | |
| | 2414071 | | P-UB-10 | 3 | 4-1/2 | CTC-2414071K | 155.17 |
| | B1L1-; WWA1- | | | | | | |
| | 2854031 | | P-UB-10 | 3 | 4-1/2 | CTC-2854031K | 167.69 |
| STEERING LH | | | | | | | |
| | AFX1-329 | | | | | | |
| | 1915337 | | P-UB-10 | 2 | 3-1/2 | CTC-1857674 | 141.24 |
| | AFX330-359 | | | | | | |
| | 2095024 | | P-UB-10 | 2 | 3-1/2 | CTC-2281778 | 106.58 |
| | AFX360-418 | | | | | | |
| | 2110604 | | P-UB-10 | 2 | 3-1/2 | CTC-2281778 | 106.58 |
| | AFX419-472 | | | | | | |
| | 2126258 | | P-UB-10 | 2 | 3-1/2 | CTC-2281778 | 106.58 |
| | AFX473- | | | | | | |
| | 2153024 | | P-UB-10 | 2 | 3-1/2 | CTC-2281778 | 106.58 |
| | AFX473-; B1L1-2127 | | | | | | |
| | 2733267 | | P-UB-10 | 2 | 3-1/2 | CTC-2281778 | 106.58 |

REPLACEMENT KITS FOR CATERPILLAR® EQUIPMENT

| Dump Trucks - Articulated | | | | | | | |
|---------------------------------|---------|--------------------------------|---------|-------|--------|--------------|--------|
| APPLICATION | CYL # | Misc-Parts, Instructions, etc. | CODE | ROD | BORE | KIT # | |
| MODEL 725 | | | | | | | |
| STEERING LH | | | | | | | |
| B1L2128-2332; WWA1- | | | | | | | |
| | 3316042 | | P-UB-10 | 2 | 3-1/2 | CTC-2281778 | 106.58 |
| B1L2333-; WWA1- | | | | | | | |
| | 3498518 | | P-UB-10 | 2 | 3-1/2 | CTC-2281778 | 106.58 |
| STEERING RH | | | | | | | |
| AFX1-329 | | | | | | | |
| | 1915336 | | P-UB-10 | 2 | 3-1/2 | CTC-1857674 | 141.24 |
| AFX330-359 | | | | | | | |
| | 2095023 | | P-UB-10 | 2 | 3-1/2 | CTC-2281778 | 106.58 |
| AFX360-418 | | | | | | | |
| | 2110603 | | P-UB-10 | 2 | 3-1/2 | CTC-2281778 | 106.58 |
| AFX419-472 | | | | | | | |
| | 2126257 | | P-UB-10 | 2 | 3-1/2 | CTC-2281778 | 106.58 |
| AFX473- | | | | | | | |
| | 2153023 | | P-UB-10 | 2 | 3-1/2 | CTC-2281778 | 106.58 |
| AFX473-; B1L1-2127 | | | | | | | |
| | 2733266 | | P-UB-10 | 2 | 3-1/2 | CTC-2281778 | 106.58 |
| B1L2128-2332; WWA1- | | | | | | | |
| | 3316041 | | P-UB-10 | 2 | 3-1/2 | CTC-2281778 | 106.58 |
| B1L2333-; WWA1- | | | | | | | |
| | 3498517 | | P-UB-10 | 2 | 3-1/2 | CTC-2281778 | 106.58 |
| SUSPENSION | | | | | | | |
| AFX1001-; B1L1-2664; WWA1- | | | | | | | |
| | 2004300 | | P-UB-10 | 4-1/2 | 150 mm | CTC-4160092 | 226.17 |
| AFX1-1000 | | | | | | | |
| | 1468928 | | P-UB-10 | 4-1/2 | 150 mm | CTC-4160092 | 226.17 |
| SUSPENSION FRONT | | | | | | | |
| AFX1001-; B1L2665- | | | | | | | |
| | 3414122 | | P-UB-10 | 4-1/2 | 150 mm | CTC-4160092 | 226.17 |
| TAILGATE | | | | | | | |
| AFX1-856 | | | | | | | |
| | 1512611 | | P-UB-10 | 2 | 3 | CTC-1857667 | 116.13 |
| MODEL 730 | | | | | | | |
| HOIST | | | | | | | |
| AGF1-; B1M1- | | | | | | | |
| | 2414062 | | P-UB-10 | 3 | 5 | CTC-2414062K | 175.58 |
| B1M1-; WWB1- | | | | | | | |
| | 2854032 | | P-UB-10 | 3 | 5 | CTC-2854032K | 196.32 |
| STEERING LH | | | | | | | |
| AGF1-371 | | | | | | | |
| | 1915337 | | P-UB-10 | 2 | 3-1/2 | CTC-1857674 | 141.24 |
| AGF372-407 | | | | | | | |
| | 2095024 | | P-UB-10 | 2 | 3-1/2 | CTC-1857674 | 141.24 |
| AGF408-442 | | | | | | | |
| | 2110604 | | P-UB-10 | 2 | 3-1/2 | CTC-1857674 | 141.24 |
| AGF443-475 | | | | | | | |
| | 2126258 | | P-UB-10 | 2 | 3-1/2 | CTC-2281778 | 106.58 |
| AGF476- | | | | | | | |
| | 2153024 | | P-UB-10 | 2 | 3-1/2 | CTC-2281778 | 106.58 |
| AGF476-; B1M1-2342; B1W1-349 | | | | | | | |
| | 2733267 | | P-UB-10 | 2 | 3-1/2 | CTC-2281778 | 106.58 |
| B1M2343-2713; B1W350-366; WWB1- | | | | | | | |
| | 3316042 | | P-UB-10 | 2 | 3-1/2 | CTC-2281778 | 106.58 |
| B1M2714-; B1W367-; WWB1- | | | | | | | |
| | 3498518 | | P-UB-10 | 2 | 3-1/2 | CTC-2281778 | 106.58 |

REPLACEMENT KITS FOR CATERPILLAR® EQUIPMENT

| Dump Trucks - Articulated | | | | | | | |
|--|--------------|--------------------------------|---------|-------|--------|--------------|--------|
| APPLICATION | CYL # | Misc-Parts, Instructions, etc. | CODE | ROD | BORE | KIT # | |
| MODEL 730 | | | | | | | |
| STEERING RH | | | | | | | |
| AGF1-371 | | | | | | | |
| 1915336 | | | P-UB-10 | 2 | 3-1/2 | CTC-1857674 | 141.24 |
| AGF372-407 | | | | | | | |
| 2095023 | | | P-UB-10 | 2 | 3-1/2 | CTC-1857674 | 141.24 |
| AGF408-442 | | | | | | | |
| 2110603 | | | P-UB-10 | 2 | 3-1/2 | CTC-1857674 | 141.24 |
| AGF443-475 | | | | | | | |
| 2126257 | | | P-UB-10 | 2 | 3-1/2 | CTC-2281778 | 106.58 |
| AGF476- | | | | | | | |
| 2153023 | | | P-UB-10 | 2 | 3-1/2 | CTC-2281778 | 106.58 |
| AGF476-; B1M1-2342; B1W1-349 | | | | | | | |
| 2733266 | | | P-UB-10 | 2 | 3-1/2 | CTC-2281778 | 106.58 |
| B1M2343-2713; B1W350-366; WWB1- | | | | | | | |
| 3316041 | | | P-UB-10 | 2 | 3-1/2 | CTC-2281778 | 106.58 |
| B1M2714-; B1W367-; WWB1- | | | | | | | |
| 3498517 | | | P-UB-10 | 2 | 3-1/2 | CTC-2281778 | 106.58 |
| SUSPENSION | | | | | | | |
| AGF1-933 | | | | | | | |
| 1468928 | | | P-UB-10 | 4-1/2 | 150 mm | CTC-4160092 | 226.17 |
| AGF934-; B1M1-; B1W1-; WWB1- | | | | | | | |
| 2004300 | | | P-UB-10 | 4-1/2 | 150 mm | CTC-4160092 | 226.17 |
| SUSPENSION FRONT | | | | | | | |
| AGF934-; B1M1-; B1W407- | | | | | | | |
| 3414122 | | | P-UB-10 | 4-1/2 | 150 mm | CTC-4160092 | 226.17 |
| TAIL GATE | | | | | | | |
| B1W1- | | | | | | | |
| 2037847 | HEAD 1662843 | | P-U-10 | 45 mm | 75 mm | CTC-4398573 | 64.13 |
| TAILGATE | | | | | | | |
| AGF1-796 | | | | | | | |
| 1512611 | | | P-UB-10 | 2 | 3 | CTC-1857667 | 116.13 |
| MODEL 740 | | | | | | | |
| HOIST | | | | | | | |
| AXM1-; B1P1-156 | | | | | | | |
| 1416667 | | | P-UB-10 | 3-1/2 | 5-1/2 | CTC-4160066 | 219.06 |
| B1P157- | | | | | | | |
| 2414068 | | | P-UB-10 | 3-1/2 | 5-1/2 | CTC-4160066 | 219.06 |
| B1P157-; WWD1- | | | | | | | |
| 2854034 | | | P-UB-10 | 3-1/2 | 5-1/2 | CTC-2854034K | 219.06 |
| STEERING | | | | | | | |
| AXM823-; AZZ292-; B1P1-; B1R1-; WWD1- | | | | | | | |
| 2231335 | | | P-UB-10 | 55 mm | 4-1/2 | CTC-2179894 | 167.45 |
| STEERING LH | | | | | | | |
| AXM1-822; AZZ1-291 | | | | | | | |
| 2153026 | | | P-UB-10 | 55 mm | 4-1/2 | CTC-2179894 | 167.45 |
| STEERING RH | | | | | | | |
| AXM369-822; AZZ264-291 | | | | | | | |
| 2153025 | | | P-UB-10 | 55 mm | 4-1/2 | CTC-2179894 | 167.45 |
| SUSPENSION | | | | | | | |
| AXM1-1182; AZZ1-327 | | | | | | | |
| 1468928 | | | P-UB-10 | 4-1/2 | 150 mm | CTC-4160092 | 226.17 |
| SUSPENSION FRONT | | | | | | | |
| AXM1183-; AZZ328-; B1P1-; B1R1-; WWD1- | | | | | | | |
| 2282758 | | | P-UB-10 | 4-1/2 | 150 mm | CTC-4160092 | 226.17 |
| B1P1-; B1R1- | | | | | | | |
| 3414124 | | | P-UB-10 | 4-1/2 | 150 mm | CTC-4160092 | 226.17 |

REPLACEMENT KITS FOR CATERPILLAR® EQUIPMENT

| Dump Trucks - Articulated | | | | | | | |
|---------------------------|--------------|--------------------------------|---------|-------|-------|-------------|--------|
| APPLICATION | CYL # | Misc-Parts, Instructions, etc. | CODE | ROD | BORE | KIT # | |
| MODEL 740 | | | | | | | |
| TAILGATE | | | | | | | |
| | AXM1-967 | | | | | | |
| | 1512611 | | P-UB-10 | 2 | 3 | CTC-1857667 | 116.13 |
| | AZZ1-; B1R1- | | | | | | |
| | 1677329 | | P-UB-10 | 2 | 3 | CTC-2384462 | 61.50 |
| MODEL D25D | | | | | | | |
| STEERING | | | | | | | |
| | 1433299 | | I-UB-10 | 2 | 4-1/2 | CTC-1857699 | 295.21 |
| | 1453620 | | P-UB-10 | 2 | 4-1/2 | CTC-1857700 | 133.23 |
| | 7U2910 | | I-U-5 | 2 | 4-1/2 | CTC-6U9552 | 306.07 |
| SUSPENSION | | | | | | | |
| | 1049660 | | P-UB-10 | 3-1/2 | 4-1/2 | CTC-1942756 | 453.42 |
| SUSPENSION REAR | | | | | | | |
| | 7U9538 | | I-UB-10 | 2 | 4-1/2 | CTC-7U9545 | 423.79 |
| UNSPECIFIED APPLICATION | | | | | | | |
| | 1511179 | | P-UB-10 | 3-1/2 | 4-1/2 | CTC-1944399 | 335.31 |
| | 5U7777 | | I-U-3 | 3-1/2 | 5-1/2 | CTC-5U7775 | 441.44 |
| MODEL D30D | | | | | | | |
| STEERING | | | | | | | |
| | 1433299 | | I-UB-5 | 2 | 4-1/2 | CTC-1721689 | 250.86 |
| | 1453620 | | P-UB-10 | 2 | 4-1/2 | CTC-1721690 | 66.67 |
| | 7U2910 | | I-U-5 | 2 | 4-1/2 | CTC-6U9552 | 306.07 |
| SUSPENSION | | | | | | | |
| | 1049660 | | P-UB-4 | 3-1/2 | 4-1/2 | CTC-1417975 | 219.32 |
| | 2U9448 | | I-U-10 | 4 | 4-1/2 | CTC-1045008 | 381.82 |
| SUSPENSION REAR | | | | | | | |
| | 7U9538 | | I-UB-10 | 2 | 4-1/2 | CTC-7U9545 | 423.79 |
| UNSPECIFIED APPLICATION | | | | | | | |
| | 5U7777 | | I-U-3 | 3-1/2 | 5-1/2 | CTC-5U7775 | 441.44 |
| | 7U9508 | | I-U-10 | 4 | 4-1/2 | CTC-1045008 | 381.82 |
| MODEL D35HP | | | | | | | |
| HOIST | | | | | | | |
| | 5U7777 | | I-U-3 | 3-1/2 | 5-1/2 | CTC-5U7775 | 441.44 |
| STEERING | | | | | | | |
| | 6U1040 | | I-U-5 | 2 | 4-1/2 | CTC-6U9552 | 306.07 |
| MODEL D35HPC | | | | | | | |
| STEERING | | | | | | | |
| | 7U2910 | | I-U-5 | 2 | 4-1/2 | CTC-6U9552 | 306.07 |
| UNSPECIFIED APPLICATION | | | | | | | |
| | 5U7777 | | I-U-3 | 3-1/2 | 5-1/2 | CTC-5U7775 | 441.44 |
| | 6U4161 | | I-U-10 | 4 | 4-1/2 | CTC-1045008 | 381.82 |
| | 7U2910 | | I-U-5 | 2 | 4-1/2 | CTC-6U9552 | 306.07 |
| MODEL D250D | | | | | | | |
| HOIST | | | | | | | |
| | 1478507 | | P-UB-10 | 2-3/4 | 4 | CTC-1944397 | 226.83 |
| | 7U6405 | | I-U-10 | 2-3/4 | 4 | CTC-7U8075 | 266.34 |
| SUSPENSION | | | | | | | |
| | 7U7230 | | P-UB-10 | 4 | 4-1/2 | CTC-1944396 | 334.62 |
| UNSPECIFIED APPLICATION | | | | | | | |
| | 1340006 | | P-UB-10 | 4 | 4-1/2 | CTC-1944396 | 334.62 |
| | 1512611 | | P-UB-10 | 2 | 3 | CTC-1857667 | 116.13 |
| MODEL D250E | | | | | | | |
| HOIST | | | | | | | |
| | 1218785 | | I-U-10 | 2-3/4 | 4 | CTC-1915027 | 161.05 |
| | 1256187 | | P-UB-10 | 3 | 4 | CTC-1315423 | 261.92 |
| | 1478507 | | P-UB-10 | 2-3/4 | 4 | CTC-1944397 | 226.83 |

REPLACEMENT KITS FOR CATERPILLAR® EQUIPMENT

| Dump Trucks - Articulated | | | | | | | |
|-------------------------------------|---------|--------------------------------|---------|-------|-------|-------------|--------|
| APPLICATION | CYL # | Misc-Parts, Instructions, etc. | CODE | ROD | BORE | KIT # | |
| MODEL D250E | | | | | | | |
| STEERING | | | | | | | |
| | 1185432 | | N-UB-10 | 2 | 4 | CTC-1857687 | 196.52 |
| | 1466651 | | N-UB-10 | 2 | 4 | CTC-1857687 | 196.52 |
| SUSPENSION | | | | | | | |
| | 1185432 | | N-UB-10 | 2 | 4 | CTC-1857687 | 196.52 |
| UNSPECIFIED APPLICATION | | | | | | | |
| | 1340006 | | P-UB-10 | 4 | 4-1/2 | CTC-1944396 | 334.62 |
| | 1447657 | | P-UB-10 | 4 | 4-1/2 | CTC-1944396 | 334.62 |
| | 1512611 | | P-UB-10 | 2 | 3 | CTC-1857667 | 116.13 |
| | 7U7230 | | P-UB-10 | 4 | 4-1/2 | CTC-1944396 | 334.62 |
| MODEL D300B AG, D300B CANE H | | | | | | | |
| STEERING | | | | | | | |
| | 5U9000 | | I-U-5 | 2 | 4-1/2 | CTC-6U9552 | 306.07 |
| MODEL D350D | | | | | | | |
| HOIST | | | | | | | |
| | 1434850 | | P-UB-10 | 3-1/2 | 5-1/2 | CTC-1721691 | 235.76 |
| STEERING | | | | | | | |
| | 1433299 | | I-UB-5 | 2 | 4-1/2 | CTC-1721689 | 250.86 |
| | 1453620 | | P-UB-10 | 2 | 4-1/2 | CTC-1721690 | 66.67 |
| SUSPENSION | | | | | | | |
| | 1049660 | | P-UB-4 | 3-1/2 | 4-1/2 | CTC-1417975 | 219.32 |
| SUSPENSION REAR | | | | | | | |
| | 7U9538 | | I-UB-5 | 2 | 4-1/2 | CTC-1721689 | 250.86 |
| MODEL D350D, D350E | | | | | | | |
| STEERING | | | | | | | |
| | 7U2910 | | I-U-5 | 2 | 4-1/2 | CTC-6U9552 | 306.07 |
| SUSPENSION | | | | | | | |
| | 2U8060 | | I-U-10 | 4 | 4-1/2 | CTC-1045008 | 381.82 |
| | 7U7198 | | I-U-10 | 4 | 4-1/2 | CTC-1045008 | 381.82 |
| SUSPENSION REAR | | | | | | | |
| | 7U9538 | | I-UB-10 | 2 | 4-1/2 | CTC-7U9545 | 423.79 |
| UNSPECIFIED APPLICATION | | | | | | | |
| | 5U7773 | | I-U-3 | 3-1/2 | 5-1/2 | CTC-5U7775 | 441.44 |
| | 7U2476 | | I-U-10 | 4 | 4-1/2 | CTC-7U2486 | 408.95 |
| MODEL D350E | | | | | | | |
| HOIST | | | | | | | |
| | 1434850 | | P-UB-10 | 3-1/2 | 5-1/2 | CTC-1721691 | 235.76 |
| STEERING | | | | | | | |
| | 1433299 | | I-UB-5 | 2 | 4-1/2 | CTC-1721689 | 250.86 |
| | 1453620 | | P-UB-10 | 2 | 4-1/2 | CTC-1721690 | 66.67 |
| SUSPENSION | | | | | | | |
| | 1049660 | | P-UB-4 | 3-1/2 | 4-1/2 | CTC-1417975 | 219.32 |
| SUSPENSION REAR | | | | | | | |
| | 7U9538 | | I-UB-5 | 2 | 4-1/2 | CTC-1721689 | 250.86 |
| MODEL D400 | | | | | | | |
| HOIST | | | | | | | |
| | 1434850 | | P-UB-10 | 3-1/2 | 5-1/2 | CTC-1721691 | 235.76 |
| | 5U7773 | | I-U-3 | 3-1/2 | 5-1/2 | CTC-5U7775 | 441.44 |
| STEERING | | | | | | | |
| | 6U1040 | | I-U-5 | 2 | 4-1/2 | CTC-6U9552 | 306.07 |
| | 7U2910 | | I-U-5 | 2 | 4-1/2 | CTC-6U9552 | 306.07 |
| MODEL D400D | | | | | | | |
| STEERING | | | | | | | |
| | 7U2910 | | I-U-5 | 2 | 4-1/2 | CTC-6U9552 | 306.07 |

REPLACEMENT KITS FOR CATERPILLAR® EQUIPMENT

| Dump Trucks - Articulated | | | | | | | |
|----------------------------------|---------|--------------------------------|---------|-------|-------|-------------|---------|
| APPLICATION | CYL # | Misc-Parts, Instructions, etc. | CODE | ROD | BORE | KIT # | |
| MODEL D400D | | | | | | | |
| SUSPENSION | | | | | | | |
| | 1049660 | | P-UB-10 | 3-1/2 | 4-1/2 | CTC-1942756 | 453.42 |
| | 2U8060 | | I-U-10 | 4 | 4-1/2 | CTC-1045008 | 381.82 |
| | 7U7198 | | I-U-10 | 4 | 4-1/2 | CTC-1045008 | 381.82 |
| SUSPENSION REAR | | | | | | | |
| | 7U9538 | | I-UB-10 | 2 | 4-1/2 | CTC-7U9545 | 423.79 |
| MODEL D400E | | | | | | | |
| HOIST | | | | | | | |
| | 1416667 | | P-UB-10 | 3-1/2 | 5-1/2 | CTC-4160066 | 219.06 |
| | 1434850 | | P-UB-10 | 3-1/2 | 5-1/2 | CTC-1890263 | 337.27 |
| STEERING | | | | | | | |
| | 1433299 | | I-UB-10 | 2 | 4-1/2 | CTC-1857699 | 295.21 |
| | 1453620 | | P-UB-10 | 2 | 4-1/2 | CTC-1857700 | 133.23 |
| | 7U2910 | | I-U-5 | 2 | 4-1/2 | CTC-6U9552 | 306.07 |
| SUSPENSION | | | | | | | |
| | 1049660 | | P-UB-10 | 3-1/2 | 4-1/2 | CTC-1942756 | 453.42 |
| | 2U8060 | | I-U-10 | 4 | 4-1/2 | CTC-1045008 | 381.82 |
| | 7U7198 | | I-U-10 | 4 | 4-1/2 | CTC-1045008 | 381.82 |
| SUSPENSION REAR | | | | | | | |
| | 7U9538 | | I-UB-10 | 2 | 4-1/2 | CTC-1857699 | 295.21 |
| UNSPECIFIED APPLICATION | | | | | | | |
| | 1331584 | | P-UB-10 | 4 | 4-1/2 | CTC-1944398 | 314.86 |
| | 1511179 | | P-UB-10 | 3-1/2 | 4-1/2 | CTC-1944399 | 335.31 |
| | 1512611 | | P-UB-10 | 2 | 3 | CTC-1857667 | 116.13 |
| | 5U7773 | | I-U-3 | 3-1/2 | 5-1/2 | CTC-5U7775 | 441.44 |
| | 7U2476 | | I-U-10 | 4 | 4-1/2 | CTC-7U2486 | 408.95 |
| Excavators | | | | | | | |
| APPLICATION | CYL # | Misc-Parts, Instructions, etc. | CODE | ROD | BORE | KIT # | List \$ |
| MODEL 245, 245B | | | | | | | |
| BOOM | | | | | | | |
| | 1024212 | | P-UB-14 | 4-3/4 | 7 | CTC-8T1567 | 327.00 |
| | 3G3524 | | P-UB-10 | 4-3/4 | 7-1/4 | CTC-8T1545 | 396.35 |
| | 3G4615 | | P-UB-10 | 5 | 6 | CTC-8T1909 | 459.59 |
| | 8J3720 | | P-UB-14 | 4-3/4 | 7 | CTC-8T1567 | 327.00 |
| | 9J5379 | | P-UB-14 | 4-3/4 | 7 | CTC-8T1567 | 327.00 |
| | 9T9358 | | P-UB-10 | 4-3/4 | 7-1/4 | CTC-8T1545 | 396.35 |
| BOTTOM DUMP | | | | | | | |
| | 1U1659 | | P-UB-10 | 3-1/2 | 7-3/4 | CTC-9X2644 | 269.94 |
| BUCKET | | | | | | | |
| | 1U1646 | | P-UB-14 | 4-3/4 | 7 | CTC-8T1565 | 336.66 |
| | 1U1646 | | P-UB-14 | 4-3/4 | 7 | CTC-8T1567 | 327.00 |
| | 1U1659 | | P-UB-10 | 3-1/2 | 7-3/4 | CTC-9X2644 | 269.94 |
| | 8J8721 | | P-UB-10 | 4-3/4 | 7 | CTC-1371946 | 412.20 |
| | 8J8721 | | P-UB-14 | 4-3/4 | 7 | CTC-8T1565 | 336.66 |
| | 9J7755 | | P-UB-10 | 5-3/4 | 7 | CTC-8C4398 | 504.62 |
| | 9J9398 | | P-UB-10 | 5-3/4 | 7 | CTC-8C4398 | 504.62 |
| COUNTERWEIGHT | | | | | | | |
| | 8J6167 | | P-UB-10 | 2-1/2 | 5 | CTC-7X2658 | 230.88 |
| LIFT | | | | | | | |
| | 8J6167 | | P-UB-10 | 2-1/2 | 5 | CTC-1315118 | 233.60 |
| | 8J6167 | | P-UB-10 | 2-1/2 | 5 | CTC-7X2658 | 230.88 |

REPLACEMENT KITS FOR CATERPILLAR® EQUIPMENT

| Excavators | | | | | | | |
|------------------------|--------------|--------------------------------|---------|-------|-------|--------------|--------|
| APPLICATION | CYL # | Misc-Parts, Instructions, etc. | CODE | ROD | BORE | KIT # | |
| MODEL 245, 245B | | | | | | | |
| STICK | | | | | | | |
| | 1011908 | | P-UB-10 | 5-3/4 | 8-1/4 | CTC-3E8880 | 830.75 |
| | 3G2778 | | P-UB-10 | 5-3/4 | 8-1/4 | CTC-3E8880 | 830.75 |
| | 3G2778 | | P-UB-10 | 5-3/4 | 8-1/4 | CTC-8T1558 | 840.18 |
| | 6E5093 | | P-UB-10 | 5-3/4 | 8-1/4 | CTC-3E8880 | 830.75 |
| | 9T1388 | | P-UB-10 | 5-3/4 | 8-1/4 | CTC-3E8880 | 830.75 |
| | 9T1388 | | P-UB-10 | 5-3/4 | 8-1/4 | CTC-8T1558 | 840.18 |
| | 9T9356 | | P-UB-10 | 5-3/4 | 8-1/4 | CTC-3E8880 | 830.75 |
| TRACK ADJUSTER | | | | | | | |
| | | | TRK ADJ | | | CTC-FIG0405 | 149.06 |
| MODEL 302.5 | | | | | | | |
| BLADE | | | | | | | |
| | 4AZ1-4947 | | | | | | |
| | 1662835 | | P-U-10 | 45 mm | 75 mm | CTC-2697190 | 67.99 |
| | 4AZ4948-UP | | | | | | |
| | 2126335 | | P-U-10 | 45 mm | 75 mm | CTC-2697190 | 67.99 |
| BOOM | | | | | | | |
| | 4AZ1-329 | | | | | | |
| | 1509211 | | P-U-10 | 45 mm | 75 mm | CTC-1509211K | 72.97 |
| | 4AZ330-4822 | | | | | | |
| | 1794969 | | P-U-10 | 45 mm | 75 mm | CTC-4288641 | 72.97 |
| | 4AZ4823-UP | | | | | | |
| | 2126337 | | P-U-10 | 45 mm | 75 mm | CTC-4288641 | 72.97 |
| BUCKET | | | | | | | |
| | 4AZ1-4828 | | | | | | |
| | 1513187 | | P-U-10 | 35 mm | 65 mm | CTC-2698599 | 70.68 |
| | 4AZ1-UP | | | | | | |
| | 2269959 | | P-U-10 | 35 mm | 65 mm | CTC-2698599 | 70.68 |
| | 4AZ4829-5653 | | | | | | |
| | 2126328 | | P-U-10 | 35 mm | 65 mm | CTC-2126328K | 70.68 |
| BUCKET TILT | | | | | | | |
| | 4AZ1-UP | | | | | | |
| | 2443074 | | P-U-10 | 30 mm | 60 mm | CTC-1608546 | 70.53 |
| STICK | | | | | | | |
| | 4AZ1-4828 | | | | | | |
| | 1512460 | | P-U-10 | 40 mm | 70 mm | CTC-4288674 | 61.45 |
| | 4AZ1-UP | | | | | | |
| | 2374079 | | P-U-10 | 40 mm | 70 mm | CTC-2702668 | 59.96 |
| | 4AZ4829-5653 | | | | | | |
| | 2126329 | | P-U-10 | 40 mm | 70 mm | CTC-2126329K | 59.96 |
| | 2373542 | | P-U-10 | 40 mm | 70 mm | CTC-2702668 | 59.96 |
| SWING BOOM | | | | | | | |
| | 4AZ1-4822 | | | | | | |
| | 1511266 | | P-U-10 | 45 mm | 75 mm | CTC-4288651 | 78.17 |
| | 1724223 | | P-U-10 | 45 mm | 75 mm | CTC-1724223K | 68.99 |
| | 4AZ4823-UP | | | | | | |
| | 2126336 | | P-U-10 | 45 mm | 75 mm | CTC-2697190 | 67.99 |
| MODEL 302.5C | | | | | | | |
| BOOM | | | | | | | |
| | GBB1-UP | | | | | | |
| | 2126337 | | P-U-10 | 45 mm | 75 mm | CTC-4288641 | 72.97 |
| BUCKET | | | | | | | |
| | GBB1-UP | | | | | | |
| | 2269959 | | P-U-10 | 35 mm | 65 mm | CTC-2698599 | 70.68 |

CATERPILLAR®

REPLACEMENT KITS FOR CATERPILLAR® EQUIPMENT

| Excavators | | | | | | | |
|-----------------------|------------------|--------------------------------|---------|-------|-------|--------------|--------|
| APPLICATION | CYL # | Misc-Parts, Instructions, etc. | CODE | ROD | BORE | KIT # | |
| MODEL 302.5C | | | | | | | |
| LIFT | | | | | | | |
| | GBB1-UP | | | | | | |
| | 2309267 | | P-U-10 | 45 mm | 85 mm | CTC-2309267K | 110.12 |
| STICK | | | | | | | |
| | GBB1-UP | | | | | | |
| | 2374079 | | P-U-10 | 40 mm | 70 mm | CTC-2702668 | 59.96 |
| SWING BOOM | | | | | | | |
| | GBB1-1897 | | | | | | |
| | 2126336 | | P-U-10 | 45 mm | 75 mm | CTC-2697190 | 67.99 |
| | GBB1898-UP | | | | | | |
| | 2935360 | | P-U-10 | 45 mm | 75 mm | CTC-2697190 | 67.99 |
| MODEL 303 C CR | | | | | | | |
| BLADE ANGLE | | | | | | | |
| | BXT1-UP | | | | | | |
| | | | P-U-10 | 35 mm | 65 mm | CTC-2839122 | 58.75 |
| | | | Bushing | 35 mm | | CTC-2032343 | 11.32 |
| BLADE RAISE LOWER | | | | | | | |
| | BXT1-UP | | | | | | |
| | 2666979 | | P-U-10 | 45 mm | 80 mm | CTC-2788641 | 100.77 |
| | 2666979 | | Bushing | 45 mm | | CTC-2378377 | 21.38 |
| BOOM | | | | | | | |
| | BXT1-UP | | | | | | |
| | 2737033 | | P-U-10 | 45 mm | 80 mm | CTC-2788641 | 100.77 |
| | 2737033 | | Bushing | 45 mm | | CTC-2378377 | 21.38 |
| | 2840420 | | P-U-10 | 45 mm | 80 mm | CTC-2788641 | 100.77 |
| | 2840420 | | Bushing | 45 mm | | CTC-2378377 | 21.38 |
| | 2855034 | | P-U-10 | 50 mm | 85 mm | CTC-2790639 | 118.56 |
| BUCKET | | | | | | | |
| | BXT1-UP | | | | | | |
| | 2666973 | | P-U-10 | 40 mm | 70 mm | CTC-2519845 | 96.61 |
| | 2778672 | | P-U-10 | 40 mm | 70 mm | CTC-2519845 | 96.61 |
| STICK | | | | | | | |
| | BXT1-UP | | | | | | |
| | 2840863 | | P-U-10 | 45 mm | 80 mm | CTC-2797940 | 107.54 |
| | 2840863 | | Bushing | 45 mm | | CTC-2378377 | 21.38 |
| TILTABLE BUCKET | | | | | | | |
| | BXT1-UP | | | | | | |
| | 2460192 | | P-UB-10 | 1-1/2 | 3 | CTC-2350354 | 47.14 |
| MODEL 303.5 | | | | | | | |
| BLADE | | | | | | | |
| | AFW1-UP; DCH1-UP | | | | | | |
| | 1636935 | | P-U-10 | 50 mm | 90 mm | CTC-2765739 | 162.25 |
| BOOM | | | | | | | |
| | AFW1-UP | | | | | | |
| | 1637006 | | P-U-10 | 45 mm | 80 mm | CTC-1637006K | 145.31 |
| BUCKET | | | | | | | |
| | AFW1-UP; DCH1-UP | | | | | | |
| | 1637008 | | P-U-10 | 40 mm | 70 mm | CTC-2723225 | 197.42 |
| STICK | | | | | | | |
| | AFW1-UP; DCH1-UP | | | | | | |
| | 1636936 | | P-U-10 | 45 mm | 75 mm | CTC-2725225 | 209.26 |
| SWING BOOM | | | | | | | |
| | AFW1-UP; DCH1-UP | | | | | | |
| | 1637007 | | P-U-10 | 45 mm | 80 mm | CTC-2765938 | 142.10 |

REPLACEMENT KITS FOR CATERPILLAR® EQUIPMENT

| Excavators | | | | | | | |
|--------------------------|-------|--------------------------------|---------------|-------|-------|--------------|--------|
| APPLICATION | CYL # | Misc-Parts, Instructions, etc. | CODE | ROD | BORE | KIT # | |
| MODEL 303.5C CR | | | | | | | |
| BLADE ANGLE | | | | | | | |
| DMA1-UP | | | | | | | |
| 2866384 | | | P-U-10 | 35 mm | 65 mm | CTC-2839122 | 58.75 |
| 2866384 | | | Bushing | 35 mm | | CTC-2032343 | 11.32 |
| BLADE RAISE LOWER | | | | | | | |
| DMA1-UP | | | | | | | |
| 2666979 | | | P-U-10 | 45 mm | 80 mm | CTC-2788641 | 100.77 |
| 2666979 | | | Bushing | 45 mm | | CTC-2378377 | 21.38 |
| 2666979 | | | Link Pin Seal | | | CTC-1920638 | 10.14 |
| 2666979 | | | Link Pin Seal | | | CTC-1920638 | 10.14 |
| BOOM | | | | | | | |
| DMA1-UP | | | | | | | |
| 2737030 | | | P-U-10 | 50 mm | 85 mm | CTC-2812321 | 104.10 |
| 2843369 | | | P-U-10 | 50 mm | 85 mm | CTC-2812321 | 104.10 |
| 2843369 | | | Link Pin Seal | | | CTC-1920638 | 10.14 |
| 2843369 | | | Link Pin Seal | | | CTC-1920638 | 10.14 |
| BUCKET | | | | | | | |
| DMA1-UP | | | | | | | |
| 2460192 | | | P-UB-10 | 1-1/2 | 3 | CTC-2350354 | 47.14 |
| 2666971 | | | P-U-10 | 45 mm | 75 mm | CTC-2812322 | 95.84 |
| 2666971 | | | Bushing | 45 mm | | CTC-2378377 | 21.38 |
| 2666971 | | | Link Pin Seal | | | CTC-1920638 | 10.14 |
| 2666971 | | | Link Pin Seal | | | CTC-1920638 | 10.14 |
| 2779900 | | | P-U-10 | 45 mm | 75 mm | CTC-2812322 | 95.84 |
| 2779900 | | | Bushing | 45 mm | | CTC-2378377 | 21.38 |
| 2779900 | | | Link Pin Seal | | | CTC-1920638 | 10.14 |
| 2779900 | | | Link Pin Seal | | | CTC-1920638 | 10.14 |
| STICK | | | | | | | |
| DMA1-UP | | | | | | | |
| 2840883 | | | P-U-10 | 50 mm | 80 mm | CTC-2812323 | 103.73 |
| 2840883 | | | Link Pin Seal | | | CTC-1920638 | 10.14 |
| 2840883 | | | Link Pin Seal | | | CTC-1920638 | 10.14 |
| SWING BOOM | | | | | | | |
| DMA1-UP | | | | | | | |
| 2843909 | | | P-U-10 | 50 mm | 85 mm | CTC-2790639 | 118.56 |
| 2843909 | | | Link Pin Seal | | | CTC-1920638 | 10.14 |
| 2843909 | | | Link Pin Seal | | | CTC-1920638 | 10.14 |
| MODEL 303CR | | | | | | | |
| BLADE | | | | | | | |
| DMA1-UP | | | | | | | |
| 1937859 | | | P-U-10 | 45 mm | 85 mm | CTC-2765210 | 99.51 |
| BOOM | | | | | | | |
| DMA1-UP | | | | | | | |
| 1987021 | | | P-U-10 | 50 mm | 80 mm | CTC-2765302 | 155.78 |
| BUCKET | | | | | | | |
| DMA1-UP | | | | | | | |
| 2037172 | | | P-U-10 | 40 mm | 65 mm | CTC-2714484 | 61.07 |
| 2190541 | | | P-U-10 | 40 mm | 65 mm | CTC-2190541K | 62.44 |
| 2390837 | | | P-U-10 | 40 mm | 65 mm | CTC-2714484 | 61.07 |
| STICK | | | | | | | |
| DMA1-UP | | | | | | | |
| 1937852 | | | P-U-10 | 45 mm | 75 mm | CTC-2712173 | 97.83 |
| 2763879 | | | P-U-10 | 45 mm | 75 mm | CTC-2763879K | 100.03 |
| SWING BOOM | | | | | | | |
| DMA1-UP | | | | | | | |
| 1937855 | | | P-U-10 | 45 mm | 80 mm | CTC-2765284 | 84.87 |

REPLACEMENT KITS FOR CATERPILLAR® EQUIPMENT

| Excavators | | | | | | | |
|-----------------------|------------------|--------------------------------|---------|-------|--------|-------------|--------|
| APPLICATION | CYL # | Misc-Parts, Instructions, etc. | CODE | ROD | BORE | KIT # | |
| MODEL 303CR | | | | | | | |
| TILT | | | | | | | |
| | DMA1-UP | | | | | | |
| | 2460192 | | P-UB-10 | 1-1/2 | 3 | CTC-2350354 | 47.14 |
| MODEL 304 C CR | | | | | | | |
| BLADE ANGLE | | | | | | | |
| | FPK1-UP | | | | | | |
| | 2704714 | | P-U-10 | 35 mm | 65 mm | CTC-2839122 | 58.75 |
| | 2704714 | | Bushing | 35 mm | | CTC-2032343 | 11.32 |
| BLADE RAISE LOWER | | | | | | | |
| | FPK1-UP | | | | | | |
| | 2937158 | | P-U-10 | 55 mm | 90 mm | CTC-4308918 | 166.46 |
| BOOM | | | | | | | |
| | FPK1-UP | | | | | | |
| | 2666975 | | P-U-10 | 55 mm | 90 mm | CTC-4308918 | 166.46 |
| | 2709475 | | P-UB-14 | 55 mm | 95 mm | CTC-2773395 | 132.95 |
| | 2828548 | | P-UB-14 | 55 mm | 95 mm | CTC-2773395 | 132.95 |
| BUCKET | | | | | | | |
| | FPK1-UP | | | | | | |
| | 2666969 | | P-UB-14 | 45 mm | 75 mm | CTC-2774167 | 191.76 |
| STICK | | | | | | | |
| | FPK1-UP | | | | | | |
| | 2828550 | | P-UB-14 | 50 mm | 85 mm | CTC-2774140 | 112.12 |
| TILTABLE BUCKET | | | | | | | |
| | FPK1-UP | | | | | | |
| | 2460192 | | P-UB-10 | 1-1/2 | 3 | CTC-2350354 | 47.14 |
| MODEL 304.5 | | | | | | | |
| BLADE | | | | | | | |
| | ANR1-UP; WAK1-UP | | | | | | |
| | 1636973 | | P-U-10 | 50 mm | 100 mm | CTC-1934324 | 174.70 |
| BOOM | | | | | | | |
| | ANR1-UP; WAK1-UP | | | | | | |
| | 1636970 | | P-U-10 | 50 mm | 85 mm | CTC-1934321 | 184.90 |
| BUCKET | | | | | | | |
| | ANR1-UP; WAK1-UP | | | | | | |
| | 1636972 | | P-U-10 | 45 mm | 75 mm | CTC-1934323 | 99.97 |
| STICK | | | | | | | |
| | ANR1-UP; WAK1-UP | | | | | | |
| | 1708945 | | P-U-10 | 50 mm | 80 mm | CTC-1934325 | 159.24 |
| SWING BOOM | | | | | | | |
| | ANR1-UP; WAK1-UP | | | | | | |
| | 1636971 | | P-U-10 | 50 mm | 90 mm | CTC-1934322 | 122.18 |
| MODEL 304CR | | | | | | | |
| BLADE | | | | | | | |
| | NAD1-UP | | | | | | |
| | 2153747 | | P-U-10 | 55 mm | 100 mm | CTC-2167247 | 184.75 |
| BLADE ANGLE | | | | | | | |
| | NAD1-UP | | | | | | |
| | 2704714 | | P-U-10 | 35 mm | 65 mm | CTC-2839122 | 58.75 |
| | 2704714 | | Bushing | 35 mm | | CTC-2032343 | 11.32 |
| BOOM | | | | | | | |
| | NAD1-UP | | | | | | |
| | 2099617 | | P-U-10 | 50 mm | 85 mm | CTC-2167644 | 120.59 |
| | 2160991 | | P-U-10 | 55 mm | 95 mm | CTC-2199066 | 220.45 |
| BUCKET | | | | | | | |
| | NAD1-UP | | | | | | |
| | 2180511 | | P-U-10 | 45 mm | 70 mm | CTC-2168100 | 260.53 |
| | 2397706 | | P-U-10 | 45 mm | 70 mm | CTC-2168100 | 260.53 |

REPLACEMENT KITS FOR CATERPILLAR® EQUIPMENT

| Excavators | | | | | | | |
|-----------------------|---------|--------------------------------|---------|-------|--------|--------------|--------|
| APPLICATION | CYL # | Misc-Parts, Instructions, etc. | CODE | ROD | BORE | KIT # | |
| MODEL 304CR | | | | | | | |
| BUCKET | | | | | | | |
| STICK | | | | | | | |
| NAD1-UP | | | | | | | |
| | 2081152 | | P-U-10 | 55 mm | 85 mm | CTC-2171643 | 195.52 |
| MODEL 305 C CR | | | | | | | |
| BLADE | | | | | | | |
| HWJ1-834 | | | | | | | |
| | 2666977 | | P-U-10 | 55 mm | 90 mm | CTC-4308918 | 166.46 |
| | 2666977 | | Bushing | 55 mm | | CTC-2725664 | 23.29 |
| HWJ1-UP | | | | | | | |
| | 2937158 | | P-U-10 | 55 mm | 90 mm | CTC-4308918 | 166.46 |
| | 2937158 | | Bushing | 55 mm | | CTC-2725664 | 23.29 |
| BLADE ANGLE | | | | | | | |
| HWJ1-UP | | | | | | | |
| | 2704714 | | P-U-10 | 35 mm | 65 mm | CTC-2839122 | 58.75 |
| | 2704714 | | Bushing | 35 mm | | CTC-2032343 | 11.32 |
| BOOM | | | | | | | |
| HWJ1-UP | | | | | | | |
| | 2666975 | | P-U-10 | 55 mm | 90 mm | CTC-4308918 | 166.46 |
| | 2666975 | | Bushing | 55 mm | | CTC-2725664 | 23.29 |
| | 2737025 | | P-U-10 | 55 mm | 100 mm | CTC-2737025K | 150.74 |
| | 2737025 | | Bushing | 55 mm | | CTC-2725641 | 17.41 |
| | 2821535 | | P-U-10 | 55 mm | 100 mm | CTC-4307589 | 125.73 |
| | 2821535 | | Bushing | 55 mm | | CTC-2725641 | 17.41 |
| BUCKET | | | | | | | |
| HWJ1-UP | | | | | | | |
| | 2666967 | | P-U-10 | 50 mm | 80 mm | CTC-4308744 | 116.80 |
| | 2666967 | | Bushing | 50 mm | | CTC-2218270 | 19.72 |
| STICK | | | | | | | |
| HWJ1-UP | | | | | | | |
| | 2821537 | | P-U-10 | 55 mm | 90 mm | CTC-4308918 | 166.46 |
| | 2821537 | | Bushing | 55 mm | | CTC-2725664 | 23.29 |
| TILTABLE BUCKET | | | | | | | |
| HWJ1-UP | | | | | | | |
| | 2460192 | | P-UB-10 | 1-1/2 | 3 | CTC-2350354 | 47.14 |
| MODEL 305CR | | | | | | | |
| BLADE | | | | | | | |
| DGT1-UP; DSA244-UP | | | | | | | |
| | 2153747 | | P-U-10 | 55 mm | 100 mm | CTC-2167247 | 184.75 |
| DSA1-243 | | | | | | | |
| | 1911962 | | P-U-10 | 55 mm | 100 mm | CTC-1992402 | 121.98 |
| BLADE ANGLE | | | | | | | |
| DGT1-UP | | | | | | | |
| | 2704714 | | P-U-10 | 35 mm | 65 mm | CTC-2839122 | 58.75 |
| | 2704714 | | Bushing | 35 mm | | CTC-2032343 | 11.32 |
| BOOM | | | | | | | |
| DGT1-UP; DSA1-UP | | | | | | | |
| | 1911958 | | P-U-10 | 55 mm | 100 mm | CTC-1989433 | 119.87 |
| BUCKET | | | | | | | |
| DGT1-UP; DSA1-UP | | | | | | | |
| | 2152232 | | P-U-10 | 45 mm | 75 mm | CTC-1991149 | 95.89 |
| STICK | | | | | | | |
| DGT1-UP; DSA1-UP | | | | | | | |
| | 1911959 | | P-U-10 | 55 mm | 85 mm | CTC-1990609 | 113.76 |

REPLACEMENT KITS FOR CATERPILLAR® EQUIPMENT

| Excavators | | | | | | | |
|--------------------|---------|--------------------------------|---------|-------|--------|-------------|--------|
| APPLICATION | CYL # | Misc-Parts, Instructions, etc. | CODE | ROD | BORE | KIT # | |
| MODEL 305CR | | | | | | | |
| SWING BOOM | | | | | | | |
| | | DGT1-UP; DSA1-UP | | | | | |
| | 1911961 | | P-U-10 | 50 mm | 90 mm | CTC-1992097 | 132.34 |
| MODEL 307 | | | | | | | |
| BLADE LH | | | | | | | |
| | 1076377 | | P-UB-15 | 50 mm | 90 mm | CTC-0933045 | 353.14 |
| | 1148378 | | P-UB-15 | 50 mm | 90 mm | CTC-0933045 | 353.14 |
| BLADE RH | | | | | | | |
| | 1076472 | | P-UB-15 | 50 mm | 90 mm | CTC-0933045 | 353.14 |
| | 1148377 | | P-UB-15 | 50 mm | 90 mm | CTC-0933045 | 353.14 |
| BOOM | | | | | | | |
| | 1038195 | | P-UB-14 | 75 mm | 110 mm | CTC-1057255 | 373.24 |
| | 1057468 | | P-UB-14 | 55 mm | 100 mm | CTC-1057480 | 289.76 |
| | 1239937 | | P-UB-14 | 55 mm | 100 mm | CTC-1057480 | 289.76 |
| BUCKET | | | | | | | |
| | 1057238 | | P-UB-14 | 55 mm | 80 mm | CTC-1057253 | 253.34 |
| OFFSET | | | | | | | |
| | 1057468 | | P-UB-14 | 55 mm | 100 mm | CTC-1057480 | 289.76 |
| | 1239937 | | P-UB-14 | 55 mm | 100 mm | CTC-1057480 | 289.76 |
| STICK | | | | | | | |
| | 1038320 | | P-UB-14 | 60 mm | 90 mm | CTC-1038333 | 339.92 |
| | 1057437 | | P-UB-14 | 60 mm | 90 mm | CTC-1038333 | 339.92 |
| | 1251494 | | P-UB-14 | 60 mm | 90 mm | CTC-1038333 | 339.92 |
| MODEL 307B | | | | | | | |
| BLADE | | | | | | | |
| | 1231627 | | P-UB-10 | 80 mm | 120 mm | CTC-1697835 | 296.58 |
| | 1624835 | | P-UB-10 | 80 mm | 120 mm | CTC-1697835 | 296.58 |
| BOOM | | | | | | | |
| | 1336759 | | P-UB-14 | 75 mm | 110 mm | CTC-1697826 | 182.56 |
| | 1437980 | | P-UB-14 | 75 mm | 110 mm | CTC-1697826 | 182.56 |
| | 1505901 | | P-UB-14 | 55 mm | 100 mm | CTC-1697829 | 195.87 |
| BUCKET | | | | | | | |
| | 1057238 | | P-UB-14 | 55 mm | 80 mm | CTC-1057253 | 253.34 |
| | 1336765 | | P-UB-14 | 55 mm | 80 mm | CTC-1697828 | 205.77 |
| OFFSET | | | | | | | |
| | 1239937 | | P-UB-14 | 55 mm | 100 mm | CTC-1057480 | 289.76 |
| STICK | | | | | | | |
| | 1038320 | | P-UB-14 | 60 mm | 90 mm | CTC-1038333 | 339.92 |
| | 1475903 | | P-UB-14 | 60 mm | 90 mm | CTC-1697827 | 283.54 |
| | 1505899 | | P-UB-14 | 60 mm | 90 mm | CTC-1697827 | 283.54 |
| SWING | | | | | | | |
| | 1437981 | | P-UB-10 | 65 mm | 100 mm | CTC-1697830 | 157.72 |
| MODEL 307C | | | | | | | |
| BLADE | | | | | | | |
| | | | P-UB-10 | 80 mm | 120 mm | CTC-1697835 | 296.58 |
| | | BCM1-UP; BNE1-UP | | | | | |
| | 1799671 | | P-UB-10 | 80 mm | 120 mm | CTC-1697835 | 296.58 |
| | 1799671 | | Bushing | 80 mm | | CTC-1140755 | 43.12 |
| | 2358256 | | P-UB-10 | 80 mm | 120 mm | CTC-1697835 | 296.58 |
| | 2358256 | | Bushing | 80 mm | | CTC-1140755 | 43.12 |

REPLACEMENT KITS FOR CATERPILLAR® EQUIPMENT

| Excavators | | | | | | | |
|-------------------------|--------------------------|--------------------------------|---------|-------|--------|-------------|--------|
| APPLICATION | CYL # | Misc-Parts, Instructions, etc. | CODE | ROD | BORE | KIT # | |
| MODEL 307C | | | | | | | |
| BOOM | | | | | | | |
| BCM1-UP | | | | | | | |
| 1659273 | | | P-UB-14 | 75 mm | 110 mm | CTC-1697826 | 182.56 |
| 1659273 | | | Bushing | 75 mm | | CTC-1140750 | 39.31 |
| 1935230 | | | P-UB-14 | 75 mm | 110 mm | CTC-1697826 | 182.56 |
| 1935230 | | | Bushing | 75 mm | | CTC-1140750 | 39.31 |
| 2357905 | | | P-UB-14 | 75 mm | 110 mm | CTC-1697826 | 182.56 |
| 2357905 | | | Bushing | 75 mm | | CTC-1140750 | 39.31 |
| 2358249 | | | P-UB-14 | 75 mm | 110 mm | CTC-1697826 | 182.56 |
| 2358249 | | | Bushing | 75 mm | | CTC-1140750 | 39.31 |
| 2358264 | | | P-UB-14 | 55 mm | 100 mm | CTC-1697829 | 195.87 |
| 2358264 | | | Bushing | 55 mm | | CTC-1140752 | 23.29 |
| 3044904 | | | P-UB-14 | 75 mm | 110 mm | CTC-1697826 | 182.56 |
| 3044904 | | | Bushing | 75 mm | | CTC-1140750 | 39.31 |
| 3044909 | | | P-UB-14 | 75 mm | 110 mm | CTC-1697826 | 182.56 |
| 3044909 | | | Bushing | 75 mm | | CTC-1140750 | 39.31 |
| BNE1-UP | | | | | | | |
| 2357921 | | | P-UB-14 | 75 mm | 110 mm | CTC-1697826 | 182.56 |
| 2357921 | | | Bushing | 75 mm | | CTC-1140750 | 39.31 |
| 2557799 | Variable Adjustable Boom | | P-UB-14 | 55 mm | 100 mm | CTC-1697829 | 195.87 |
| 2557799 | Variable Adjustable Boom | | Bushing | 55 mm | | CTC-1140752 | 23.29 |
| 2557801 | Variable Adjustable Boom | | P-UB-14 | 75 mm | 110 mm | CTC-1697826 | 182.56 |
| 2557801 | Variable Adjustable Boom | | Bushing | 75 mm | | CTC-1140750 | 39.31 |
| 3044912 | | | P-UB-14 | 75 mm | 110 mm | CTC-1697826 | 182.56 |
| 3044912 | | | Bushing | 75 mm | | CTC-1140750 | 39.31 |
| 3044913 | Variable Adjustable Boom | | P-UB-14 | 75 mm | 110 mm | CTC-1697826 | 182.56 |
| 3044913 | Variable Adjustable Boom | | Bushing | 75 mm | | CTC-1140750 | 39.31 |
| 3044915 | Variable Adjustable Boom | | P-UB-14 | 55 mm | 100 mm | CTC-1697829 | 195.87 |
| 3044915 | Variable Adjustable Boom | | Bushing | 55 mm | | CTC-1140752 | 23.29 |
| BUCKET | | | | | | | |
| BCM1-UP; BNE1-UP | | | | | | | |
| 1659279 | | | P-UB-14 | 55 mm | 80 mm | CTC-1697828 | 205.77 |
| 1659279 | | | Bushing | 55 mm | | CTC-1140752 | 23.29 |
| 3044908 | | | P-UB-14 | 55 mm | 80 mm | CTC-1697828 | 205.77 |
| 3044908 | | | Bushing | 55 mm | | CTC-1140752 | 23.29 |
| CAB RISER | | | | | | | |
| BCM1-UP; BNE1-UP | | | | | | | |
| 2358287 | | | P-UB-14 | 60 mm | 90 mm | CTC-1697827 | 283.54 |
| 2358287 | | | Bushing | 60 mm | | CTC-1140751 | 30.71 |
| OFFSET | | | | | | | |
| BCM1-UP | | | | | | | |
| 1799711 | | | P-UB-14 | 55 mm | 100 mm | CTC-1697829 | 195.87 |
| 1799711 | | | Bushing | 55 mm | | CTC-1140752 | 23.29 |
| 3044906 | | | P-UB-14 | 55 mm | 100 mm | CTC-1697829 | 195.87 |
| 3044906 | | | Bushing | 55 mm | | CTC-1140752 | 23.29 |
| STICK | | | | | | | |
| BCM1-UP | | | | | | | |
| 1799708 | | | P-UB-14 | 60 mm | 90 mm | CTC-1697827 | 283.54 |
| 1799708 | | | Bushing | 60 mm | | CTC-1140751 | 30.71 |
| 2042718 | | | P-UB-14 | 60 mm | 90 mm | CTC-1697827 | 283.54 |
| 2042718 | | | Bushing | 60 mm | | CTC-1140751 | 30.71 |
| 2358271 | | | P-UB-14 | 60 mm | 90 mm | CTC-1697827 | 283.54 |
| 2358271 | | | Bushing | 60 mm | | CTC-1140751 | 30.71 |
| 3044907 | | | P-UB-14 | 60 mm | 90 mm | CTC-1697827 | 283.54 |
| 3044907 | | | Bushing | 60 mm | | CTC-1140751 | 30.71 |

REPLACEMENT KITS FOR CATERPILLAR® EQUIPMENT

| Excavators | | | | | | | |
|----------------------|---------|--------------------------------|---------|-------|--------|-------------|--------|
| APPLICATION | CYL # | Misc-Parts, Instructions, etc. | CODE | ROD | BORE | KIT # | |
| MODEL 307C | | | | | | | |
| STICK | | | | | | | |
| BCM1-UP; BNE1-UP | | | | | | | |
| | 1659276 | | P-UB-14 | 60 mm | 90 mm | CTC-1697827 | 283.54 |
| | 1659276 | | Bushing | 60 mm | | CTC-1140751 | 30.71 |
| | 2357913 | | P-UB-14 | 60 mm | 90 mm | CTC-1697827 | 283.54 |
| | 2357913 | | Bushing | 60 mm | | CTC-1140751 | 30.71 |
| | 3044905 | | P-UB-14 | 60 mm | 90 mm | CTC-1697827 | 283.54 |
| | 3044905 | | Bushing | 60 mm | | CTC-1140751 | 30.71 |
| | 3044910 | | P-UB-14 | 60 mm | 90 mm | CTC-1697827 | 283.54 |
| | 3044910 | | Bushing | 60 mm | | CTC-1140751 | 30.71 |
| SWING | | | | | | | |
| BNE1-UP | | | | | | | |
| | 1772556 | | P-UB-14 | 75 mm | 110 mm | CTC-1697826 | 182.56 |
| | 1772556 | | Bushing | 75 mm | | CTC-1140750 | 39.31 |
| SWING BOOM | | | | | | | |
| BNE1-463 | | | | | | | |
| | 1772474 | | P-UB-14 | 60 mm | 90 mm | CTC-1697827 | 283.54 |
| | 1772474 | | Bushing | 60 mm | | CTC-1140751 | 30.71 |
| BNE1630-UP | | | | | | | |
| | 3044911 | | P-UB-14 | 60 mm | 90 mm | CTC-1697827 | 283.54 |
| | 3044911 | | Bushing | 60 mm | | CTC-1140751 | 30.71 |
| BNE464-UP | | | | | | | |
| | 2375468 | | P-UB-14 | 60 mm | 90 mm | CTC-1697827 | 283.54 |
| | 2375468 | | Bushing | 60 mm | | CTC-1140751 | 30.71 |
| MODEL 308B | | | | | | | |
| BLADE | | | | | | | |
| | 1231627 | | P-UB-10 | 80 mm | 120 mm | CTC-1697835 | 296.58 |
| | 1624835 | | P-UB-10 | 80 mm | 120 mm | CTC-1697835 | 296.58 |
| BUCKET | | | | | | | |
| | 1057238 | | P-UB-14 | 55 mm | 80 mm | CTC-1057253 | 253.34 |
| STICK | | | | | | | |
| | 1038320 | | P-UB-14 | 60 mm | 90 mm | CTC-1038333 | 339.92 |
| MODEL 308C CR | | | | | | | |
| BLADE | | | | | | | |
| KCX1-UP | | | | | | | |
| | 1799671 | | P-UB-10 | 80 mm | 120 mm | CTC-1697835 | 296.58 |
| | 1799671 | | Bushing | 80 mm | | CTC-1140755 | 43.12 |
| | 2358256 | | P-UB-10 | 80 mm | 120 mm | CTC-1697835 | 296.58 |
| | 2358256 | | Bushing | 80 mm | | CTC-1140755 | 43.12 |

REPLACEMENT KITS FOR CATERPILLAR® EQUIPMENT

| Excavators | | | | | | | |
|-----------------------|-------|--------------------------------|---------|-------|--------|--------------|--------|
| APPLICATION | CYL # | Misc-Parts, Instructions, etc. | CODE | ROD | BORE | KIT # | |
| MODEL 308C CR | | | | | | | |
| BOOM | | | | | | | |
| KCX1-UP | | | | | | | |
| 1799645 | | | P-UB-14 | 75 mm | 110 mm | CTC-1697826 | 182.56 |
| 1799645 | | | Bushing | 75 mm | | CTC-1140750 | 39.31 |
| 1799651 | | | P-UB-10 | 55 mm | 100 mm | CTC-2003242 | 193.63 |
| 1799655 | | | P-UB-10 | 75 mm | 120 mm | CTC-2003239 | 114.48 |
| 1799655 | | | Bushing | 75 mm | | CTC-1140750 | 39.31 |
| 1799658 | | | P-UB-10 | 70 mm | 100 mm | CTC-2003240 | 132.08 |
| 1799658 | | | Bushing | 70 mm | | CTC-1140753 | 37.46 |
| 2159893 | | | P-UB-14 | 75 mm | 110 mm | CTC-1697826 | 182.56 |
| 2159893 | | | Bushing | 75 mm | | CTC-1140750 | 39.31 |
| 2357834 | | | P-UB-10 | 55 mm | 100 mm | CTC-2003242 | 193.63 |
| 2357845 | | | P-UB-10 | 75 mm | 120 mm | CTC-2003239 | 114.48 |
| 2357845 | | | Bushing | 75 mm | | CTC-1140750 | 39.31 |
| 2357862 | | | P-UB-10 | 70 mm | 100 mm | CTC-2003240 | 132.08 |
| 2357862 | | | Bushing | 70 mm | | CTC-1140753 | 37.46 |
| 3044900 | | | P-UB-14 | 75 mm | 110 mm | CTC-3044900K | 175.57 |
| 3044900 | | | Bushing | 75 mm | | CTC-1140750 | 39.31 |
| BUCKET | | | | | | | |
| KCX1-UP | | | | | | | |
| 1659279 | | | P-UB-14 | 55 mm | 80 mm | CTC-1697828 | 205.77 |
| 3044908 | | | P-UB-14 | 55 mm | 80 mm | CTC-1697828 | 205.77 |
| STICK | | | | | | | |
| KCX1-UP | | | | | | | |
| 2042718 | | | P-UB-14 | 60 mm | 90 mm | CTC-1697827 | 283.54 |
| 2042718 | | | Bushing | 60 mm | | CTC-1140751 | 30.71 |
| 2159896 | | | P-UB-14 | 60 mm | 90 mm | CTC-1697827 | 283.54 |
| 2159896 | | | Bushing | 60 mm | | CTC-1140751 | 30.71 |
| 3044910 | | | P-UB-14 | 60 mm | 90 mm | CTC-1697827 | 283.54 |
| 3044910 | | | Bushing | 60 mm | | CTC-1140751 | 30.71 |
| MODEL 308D CR | | | | | | | |
| BLADE | | | | | | | |
| GBT1- | | | | | | | |
| 3033487 | | | P-UB-10 | 80 mm | 120 mm | CTC-1697835 | 296.58 |
| BOOM | | | | | | | |
| GBT1- | | | | | | | |
| 2987702 | | | P-UB-10 | 70 mm | 110 mm | CTC-4157472 | 157.59 |
| BUCKET | | | | | | | |
| GBT1- | | | | | | | |
| 2987704 | | | P-UB-14 | 55 mm | 85 mm | CTC-2987704K | 137.81 |
| COUPLER | | | | | | | |
| GBT1- | | | | | | | |
| 2569777 | | | I-U-14 | 50 mm | 100 mm | CTC-3265235 | 218.41 |
| 3611139 | | | I-U-15 | 3/4 | 1-1/4 | CTC-3611131 | 56.90 |
| STICK | | | | | | | |
| GBT1- | | | | | | | |
| 2987703 | | | P-UB-14 | 60 mm | 95 mm | CTC-2987703K | 139.02 |
| THUMB | | | | | | | |
| GBT1- | | | | | | | |
| 3056716 | | | I-U-10 | 50 mm | 70 mm | CTC-2764172 | 64.44 |
| 3056717 | | | I-U-10 | 50 mm | 70 mm | CTC-2764172 | 64.44 |
| TRACK ADJUSTER | | | | | | | |
| GBT1- | | | | | | | |
| 1362462 | | | TRK ADJ | | | CTC-1362462K | 44.98 |

REPLACEMENT KITS FOR CATERPILLAR® EQUIPMENT

| Excavators | | | | | | | |
|-------------------------|---------|--------------------------------|---------|-------|--------|--------------|--------|
| APPLICATION | CYL # | Misc-Parts, Instructions, etc. | CODE | ROD | BORE | KIT # | |
| MODEL 308D CR SB | | | | | | | |
| BLADE | | | | | | | |
| FYC1- | | | | | | | |
| | 3033487 | | P-UB-10 | 80 mm | 120 mm | CTC-1697835 | 296.58 |
| BOOM | | | | | | | |
| FYC1- | | | | | | | |
| | 3044915 | Variable Adjustable Boom | P-UB-14 | 55 mm | 100 mm | CTC-3747255 | 195.87 |
| | 3197257 | | P-UB-10 | 70 mm | 110 mm | CTC-4157472 | 157.59 |
| | 3287730 | | P-UB-14 | 75 mm | 110 mm | CTC-3287730K | 157.49 |
| BUCKET | | | | | | | |
| FYC1- | | | | | | | |
| | 2987704 | | P-UB-14 | 55 mm | 85 mm | CTC-2987704K | 137.81 |
| | 3044908 | | P-UB-14 | 55 mm | 80 mm | CTC-1697828 | 205.77 |
| COUPLER | | | | | | | |
| FYC1- | | | | | | | |
| | 2569777 | | I-U-14 | 50 mm | 100 mm | CTC-3265235 | 218.41 |
| | 3611139 | | I-U-15 | 3/4 | 1-1/4 | CTC-3611131 | 56.90 |
| STICK | | | | | | | |
| FYC1- | | | | | | | |
| | 2987703 | | P-UB-14 | 60 mm | 95 mm | CTC-2987703K | 139.02 |
| FYC1-1875 | | | | | | | |
| | 3044910 | | P-UB-14 | 60 mm | 90 mm | CTC-1697827 | 283.54 |
| | 3044910 | | Bushing | 60 mm | | CTC-1140751 | 30.71 |
| FYC1828- | | | | | | | |
| | 3747244 | | P-UB-14 | 60 mm | 90 mm | CTC-1697827 | 283.54 |
| | 3747244 | | Bushing | 60 mm | | CTC-1140751 | 30.71 |
| SWING BOOM | | | | | | | |
| FYC1- | | | | | | | |
| | 3145850 | | P-UB-14 | 65 mm | 110 mm | CTC-3145850K | 149.37 |
| THUMB | | | | | | | |
| FYC1- | | | | | | | |
| | 3056716 | | I-U-10 | 50 mm | 70 mm | CTC-2764172 | 64.44 |
| | 3056717 | | I-U-10 | 50 mm | 70 mm | CTC-2764172 | 64.44 |
| TRACK ADJUSTER | | | | | | | |
| FYC1- | | | | | | | |
| | 1362462 | | TRK ADJ | | | CTC-1362462K | 44.98 |
| MODEL 311 | | | | | | | |
| BOOM | | | | | | | |
| | 1251548 | | P-UB-10 | 70 mm | 100 mm | CTC-616858 | 376.11 |
| | 418841 | | P-UB-10 | 70 mm | 100 mm | CTC-616858 | 376.11 |
| BUCKET | | | | | | | |
| | 1251547 | | P-UB-10 | 65 mm | 100 mm | CTC-418914 | 280.34 |
| | 1346987 | | P-UB-10 | 65 mm | 100 mm | CTC-1764935 | 303.50 |
| | 418840 | | P-UB-10 | 65 mm | 100 mm | CTC-418914 | 280.34 |
| STICK | | | | | | | |
| | 1251549 | | P-UB-10 | 75 mm | 110 mm | CTC-418913 | 399.13 |
| | 418842 | | P-UB-10 | 75 mm | 110 mm | CTC-418913 | 399.13 |
| MODEL 311B | | | | | | | |
| BLADE LH | | | | | | | |
| | 1298009 | | P-UB-10 | 80 mm | 120 mm | CTC-1697835 | 296.58 |
| BLADE RH | | | | | | | |
| | 1298010 | | P-UB-10 | 80 mm | 120 mm | CTC-1697835 | 296.58 |
| BOOM | | | | | | | |
| | 1211395 | | P-UB-10 | 70 mm | 100 mm | CTC-1211405 | 374.82 |
| BUCKET | | | | | | | |
| | 1195447 | | P-UB-10 | 65 mm | 100 mm | CTC-1195457 | 288.58 |
| | 1438158 | | P-UB-10 | 65 mm | 100 mm | CTC-1697839 | 300.43 |

REPLACEMENT KITS FOR CATERPILLAR® EQUIPMENT

| Excavators | | | | | | | |
|--------------------------|------------------|--------------------------------|---------|-------|--------|-------------|--------|
| APPLICATION | CYL # | Misc-Parts, Instructions, etc. | CODE | ROD | BORE | KIT # | |
| MODEL 311B | | | | | | | |
| STICK | | | | | | | |
| | 1211406 | | P-UB-10 | 75 mm | 110 mm | CTC-1195435 | 405.24 |
| | 1438160 | | P-UB-10 | 75 mm | 110 mm | CTC-1697837 | 356.25 |
| MODEL 311C U | | | | | | | |
| BLADE LH | | | | | | | |
| | CKE1-UP; PAD1-UP | | | | | | |
| | 1709809 | | P-UB-10 | 80 mm | 120 mm | CTC-1709946 | 391.83 |
| BLADE RH | | | | | | | |
| | CKE1-UP; PAD1-UP | | | | | | |
| | 1709810 | | P-UB-10 | 80 mm | 120 mm | CTC-1709946 | 391.83 |
| BOOM | | | | | | | |
| | CKE1-UP; PAD1-UP | | | | | | |
| | 1709806 | | | 70 mm | 100 mm | CTC-1709929 | 426.37 |
| BUCKET | | | | | | | |
| | CKE1-UP | | | | | | |
| | 1709809 | | P-UB-10 | 65 mm | 100 mm | CTC-1709941 | 177.94 |
| | 2959396 | | P-UB-10 | 65 mm | 100 mm | CTC-1709941 | 177.94 |
| | CKE1-UP; PAD1-UP | | | | | | |
| | 2487855 | | P-UB-10 | 65 mm | 100 mm | CTC-1709941 | 177.94 |
| | 2836118 | | P-UB-10 | 65 mm | 100 mm | CTC-1709941 | 177.94 |
| COUPLER | | | | | | | |
| | CKE1-UP | | | | | | |
| | 1847487 | Quick Coupler | I-U-10 | 1-3/4 | 63 mm | CTC-1728486 | 91.40 |
| | 2734147 | | I-U-10 | 1-3/4 | 63 mm | CTC-3265237 | 91.40 |
| STICK | | | | | | | |
| | CKE1-UP; PAD1-UP | | | | | | |
| | 1709807 | | P-UB-10 | 75 mm | 110 mm | CTC-1709937 | 213.67 |
| MODEL 312 | | | | | | | |
| BOOM | | | | | | | |
| | 1148519 | | P-UB-10 | 75 mm | 110 mm | CTC-1148526 | 328.90 |
| | 1251545 | | P-UB-10 | 75 mm | 110 mm | CTC-418913 | 399.13 |
| | 418838 | | P-UB-10 | 75 mm | 110 mm | CTC-418913 | 399.13 |
| BUCKET | | | | | | | |
| | 1195447 | | P-UB-10 | 65 mm | 100 mm | CTC-1195457 | 288.58 |
| | 1251547 | | P-UB-10 | 65 mm | 100 mm | CTC-418914 | 280.34 |
| | 1346987 | | P-UB-10 | 65 mm | 100 mm | CTC-1764935 | 303.50 |
| | 418840 | | P-UB-10 | 65 mm | 100 mm | CTC-418914 | 280.34 |
| OFFSET | | | | | | | |
| | 1239906 | | P-UB-10 | 70 mm | 130 mm | CTC-1697843 | 345.13 |
| STICK | | | | | | | |
| | 1211406 | | P-UB-10 | 75 mm | 110 mm | CTC-1195435 | 405.24 |
| | 1239943 | | P-UB-10 | 80 mm | 120 mm | CTC-1148290 | 278.33 |
| | 1251546 | | P-UB-10 | 80 mm | 120 mm | CTC-513047 | 335.84 |
| | 1251940 | | P-UB-10 | 80 mm | 120 mm | CTC-1148290 | 278.33 |
| | 418839 | | P-UB-10 | 80 mm | 120 mm | CTC-513047 | 335.84 |
| MODEL 312B, 312BL | | | | | | | |
| BLADE LH | | | | | | | |
| | 1298009 | | P-UB-10 | 80 mm | 120 mm | CTC-1697835 | 296.58 |
| BLADE RH | | | | | | | |
| | 1298010 | | P-UB-10 | 80 mm | 120 mm | CTC-1697835 | 296.58 |
| BOOM | | | | | | | |
| | 1195425 | | P-UB-10 | 75 mm | 110 mm | CTC-1195435 | 405.24 |
| | 1438156 | | P-UB-10 | 75 mm | 110 mm | CTC-1697837 | 356.25 |
| BUCKET | | | | | | | |
| | 1195447 | | P-UB-10 | 65 mm | 100 mm | CTC-1195457 | 288.58 |
| | 1438158 | | P-UB-10 | 65 mm | 100 mm | CTC-1697839 | 300.43 |

CATERPILLAR®

REPLACEMENT KITS FOR CATERPILLAR® EQUIPMENT

| Excavators | | | | | | | |
|--------------------------|----------------------------|--------------------------------|-----------|-------|--------|-------------|--------|
| APPLICATION | CYL # | Misc-Parts, Instructions, etc. | CODE | ROD | BORE | KIT # | |
| MODEL 312B, 312BL | | | | | | | |
| STICK | | | | | | | |
| | 1195436 | | P-UB-10 | 80 mm | 120 mm | CTC-1195446 | 369.69 |
| | 1438157 | | P-UB-10 | 80 mm | 120 mm | CTC-1697838 | 372.15 |
| MODEL 312C, 312CL | | | | | | | |
| BOOM | | | | | | | |
| | | | P-UB-10 | 75 mm | 110 mm | CTC-1709937 | 213.67 |
| | | | Bushing | 75 mm | | CTC-1140750 | 39.31 |
| BUCKET | | | | | | | |
| | | | P-UB-10 | 65 mm | 100 mm | CTC-1709941 | 177.94 |
| | | | Bushing | 65 mm | | CTC-1140754 | 32.58 |
| STICK | | | | | | | |
| | | | P-UB-10 | 80 mm | 120 mm | CTC-1709999 | 264.11 |
| | | | Bushing | 80 mm | | CTC-1140755 | 43.12 |
| MODEL 312E | | | | | | | |
| BLADE LH | | | | | | | |
| | GAC1-; MJD1-; PZL1-; WEY1- | | | | | | |
| | 3494109 | | P-UB-10 | 80 mm | 120 mm | CTC-3494122 | 238.30 |
| | 3494109 | | Bushing | 80 mm | | CTC-1140755 | 43.12 |
| | 3852886 | | P-UB-10 | 80 mm | 120 mm | CTC-3937948 | 350.21 |
| | 3852886 | | Bushing | 80 mm | | CTC-3852900 | 39.67 |
| BLADE RH | | | | | | | |
| | GAC1-; MJD1-; PZL1-; WEY1- | | | | | | |
| | 3494110 | | P-UB-10 | 80 mm | 120 mm | CTC-3494122 | 238.30 |
| | 3494110 | | Bushing | 80 mm | | CTC-1140755 | 43.12 |
| | 3852887 | | P-UB-10 | 80 mm | 120 mm | CTC-3937948 | 350.21 |
| | 3852887 | | Bushing | 80 mm | | CTC-3852900 | 39.67 |
| BOOM | | | | | | | |
| | GAC1-; MJD1-; PZL1-; WEY1- | | | | | | |
| | 3582096 | | P-UB-10 | 75 mm | 110 mm | CTC-3494119 | 376.37 |
| | 3582096 | | Bushing | 75 mm | | CTC-1140750 | 39.31 |
| | 3852828 | | P-UB-14 | 75 mm | 110 mm | CTC-3937887 | 293.48 |
| | 3852828 | | Bushing | 75 mm | | CTC-3937931 | 34.41 |
| | PZL1-; WEY1- | | | | | | |
| | 1847660 | Variable Adjustable Boom | P-UB-10 | 85 mm | 140 mm | CTC-3808347 | 255.98 |
| | 1847660 | Variable Adjustable Boom | Bushing | 85 mm | | CTC-1140756 | 47.03 |
| BUCKET | | | | | | | |
| | GAC1- | | | | | | |
| | 3746547 | | P-UB-10 | 75 mm | 110 mm | CTC-3494119 | 376.37 |
| | 3746547 | | Bushing | 75 mm | | CTC-1140750 | 39.31 |
| | GAC1-; MJD1-; PZL1-; WEY1- | | | | | | |
| | 3582108 | | P-UB-10 | 70 mm | 100 mm | CTC-3494121 | 255.14 |
| | 3582108 | | Bushing | 70 mm | | CTC-1140753 | 37.46 |
| | 3687047 | | P-UB-10 | 70 mm | 100 mm | CTC-3494121 | 255.14 |
| | 3687047 | | Bushing | 70 mm | | CTC-1140753 | 37.46 |
| | 3852834 | | P-UB-14 | 70 mm | 100 mm | CTC-3904227 | 306.68 |
| | 3852834 | | Bushing | 70 mm | | CTC-3904158 | 31.10 |
| COUPLER | | | | | | | |
| | MJD1-; PZL1-; WEY1- | | | | | | |
| | 3006024 | | P-U-10,12 | 1-1/2 | 2-1/2 | CTC-3465584 | 44.98 |
| | PZL1-; WEY1- | | | | | | |
| | 1690329 | | I-U-5 | 40 mm | 60 mm | CTC-2027897 | 56.71 |

REPLACEMENT KITS FOR CATERPILLAR® EQUIPMENT

| Excavators | | | | | | | |
|----------------------------|--------------------------|--------------------------------|---------|-------|--------|--------------|--------|
| APPLICATION | CYL # | Misc-Parts, Instructions, etc. | CODE | ROD | BORE | KIT # | |
| MODEL 312E | | | | | | | |
| STICK | | | | | | | |
| GAC1-; MJD1-; PZL1-; WEY1- | | | | | | | |
| 3582102 | | | P-UB-10 | 80 mm | 120 mm | CTC-3494120 | 349.97 |
| 3582102 | | | Bushing | 80 mm | | CTC-1140755 | 43.12 |
| 3852831 | | | P-UB-14 | 80 mm | 120 mm | CTC-3937949 | 305.52 |
| 3852831 | | | Bushing | 80 mm | | CTC-3852900 | 39.67 |
| TRACK ADJUSTER | | | | | | | |
| GAC1-; MJD1-; PZL1-; WEY1- | | | | | | | |
| 2979143 | | | TRK ADJ | | | CTC-2979143K | 51.81 |
| MODEL 313B | | | | | | | |
| BLADE LH | | | | | | | |
| 1298009 | | | P-UB-10 | 80 mm | 120 mm | CTC-1697835 | 296.58 |
| BLADE RH | | | | | | | |
| 1298010 | | | P-UB-10 | 80 mm | 120 mm | CTC-1697835 | 296.58 |
| BOOM | | | | | | | |
| 1624758 | | | P-UB-10 | 75 mm | 110 mm | CTC-1697837 | 356.25 |
| BUCKET | | | | | | | |
| 1346987 | | | P-UB-10 | 65 mm | 100 mm | CTC-1764935 | 303.50 |
| 1438158 | | | P-UB-10 | 65 mm | 100 mm | CTC-1697839 | 300.43 |
| OFFSET | | | | | | | |
| 1239906 | | | P-UB-10 | 70 mm | 130 mm | CTC-1697843 | 345.13 |
| STICK | | | | | | | |
| 1195436 | | | P-UB-10 | 80 mm | 120 mm | CTC-1195446 | 369.69 |
| 1211406 | | | P-UB-10 | 75 mm | 110 mm | CTC-1195435 | 405.24 |
| 1438157 | | | P-UB-10 | 80 mm | 120 mm | CTC-1697838 | 372.15 |
| 1438160 | | | P-UB-10 | 75 mm | 110 mm | CTC-1697837 | 356.25 |
| MODEL 313F L | | | | | | | |
| BLADE LH | | | | | | | |
| DJE1-UP; NLG1-UP; PRG1-UP | | | | | | | |
| 3852886 | | | P-UB-10 | 80 mm | 120 mm | CTC-3937948 | 350.21 |
| 3852886 | | | Bushing | 80 mm | | CTC-3852900 | 39.67 |
| BLADE RH | | | | | | | |
| DJE1-UP; NLG1-UP; PRG1-UP | | | | | | | |
| 3852887 | | | P-UB-10 | 80 mm | 120 mm | CTC-3937948 | 350.21 |
| 3852887 | | | Bushing | 80 mm | | CTC-3852900 | 39.67 |
| BOOM | | | | | | | |
| DJE1-UP; NLG1-UP; PRG1-UP | | | | | | | |
| 3852828 | | | P-UB-14 | 75 mm | 110 mm | CTC-3937887 | 293.48 |
| 3852828 | | | Bushing | 75 mm | | CTC-3937931 | 34.41 |
| NLG1-UP; PRG1-UP | | | | | | | |
| 1847660 | Variable Adjustable Boom | | P-UB-10 | 85 mm | 140 mm | CTC-3808347 | 255.98 |
| 1847660 | Variable Adjustable Boom | | Bushing | 85 mm | | CTC-1140756 | 47.03 |
| BUCKET | | | | | | | |
| DJE1-UP; NLG1-UP; PRG1-UP | | | | | | | |
| 3687047 | | | P-UB-10 | 70 mm | 100 mm | CTC-3494121 | 255.14 |
| 3687047 | | | Bushing | 70 mm | | CTC-1140753 | 37.46 |
| 3852834 | | | P-UB-14 | 70 mm | 100 mm | CTC-3904227 | 306.68 |
| 3852834 | | | Bushing | 70 mm | | CTC-3904158 | 31.10 |
| 4842102 | | | I-U-10 | 40 mm | 70 mm | CTC-3240355 | 83.52 |
| 4842102 | | | P-U-10 | 40 mm | 70 mm | CTC-5016692 | 77.21 |
| 4842103 | | | I-U-10 | 40 mm | 70 mm | CTC-3240355 | 83.52 |
| 4842103 | | | P-U-10 | 40 mm | 70 mm | CTC-5016692 | 77.21 |
| STICK | | | | | | | |
| DJE1-UP; NLG1-UP; PRG1-UP | | | | | | | |
| 3852831 | | | P-UB-14 | 80 mm | 120 mm | CTC-3937949 | 305.52 |

CATERPILLAR®

REPLACEMENT KITS FOR CATERPILLAR® EQUIPMENT

| Excavators | | | | | | | |
|---------------------------|---------|--------------------------------|-----------|-------|--------|--------------|--------|
| APPLICATION | CYL # | Misc-Parts, Instructions, etc. | CODE | ROD | BORE | KIT # | |
| MODEL 313F L | | | | | | | |
| TRACK ADJUSTER | | | | | | | |
| DJE1-UP; NLG1-UP; PRG1-UP | | | | | | | |
| | 2979143 | | TRK ADJ | | | CTC-2979143K | 51.81 |
| MODEL 313F LGC | | | | | | | |
| BLADE LH | | | | | | | |
| GJD1-UP; HDK1-UP; ZGS1-UP | | | | | | | |
| | 3852886 | | P-UB-10 | 80 mm | 120 mm | CTC-3937948 | 350.21 |
| | 3852886 | | Bushing | 80 mm | | CTC-3852900 | 39.67 |
| BLADE RH | | | | | | | |
| GJD1-UP; HDK1-UP; ZGS1-UP | | | | | | | |
| | 3852887 | | P-UB-10 | 80 mm | 120 mm | CTC-3937948 | 350.21 |
| | 3852887 | | Bushing | 80 mm | | CTC-3852900 | 39.67 |
| BOOM | | | | | | | |
| GJD1-UP; HDK1-UP; ZGS1-UP | | | | | | | |
| | 3852828 | | P-UB-14 | 75 mm | 110 mm | CTC-3937887 | 293.48 |
| | 3852828 | | Bushing | 75 mm | | CTC-3937931 | 34.41 |
| BUCKET | | | | | | | |
| GJD1-UP; HDK1-UP; ZGS1-UP | | | | | | | |
| | 3852834 | | P-UB-14 | 70 mm | 100 mm | CTC-3904227 | 306.68 |
| | 3852834 | | Bushing | 70 mm | | CTC-3904158 | 31.10 |
| GJD1-UP; ZGS1-UP | | | | | | | |
| | 4842102 | | I-U-10 | 40 mm | 70 mm | CTC-3240355 | 83.52 |
| | 4842102 | | P-U-10 | 40 mm | 70 mm | CTC-5016692 | 77.21 |
| | 4842103 | | I-U-10 | 40 mm | 70 mm | CTC-3240355 | 83.52 |
| | 4842103 | | P-U-10 | 40 mm | 70 mm | CTC-5016692 | 77.21 |
| COUPLER | | | | | | | |
| HDK1-UP | | | | | | | |
| | 3006024 | | P-U-10,12 | 1-1/2 | 2-1/2 | CTC-3465584 | 44.98 |
| STICK | | | | | | | |
| GJD1-UP; HDK1-UP; ZGS1-UP | | | | | | | |
| | 3852831 | | P-UB-14 | 80 mm | 120 mm | CTC-3937949 | 305.52 |
| TRACK ADJUSTER | | | | | | | |
| GJD1-UP; HDK1-UP; ZGS1-UP | | | | | | | |
| | 2979143 | | TRK ADJ | | | CTC-2979143K | 51.81 |
| MODEL 314C LCR | | | | | | | |
| BLADE LH | | | | | | | |
| KJA1-UP; PCA1-UP | | | | | | | |
| | 1709809 | | P-UB-10 | 80 mm | 120 mm | CTC-1709946 | 391.83 |
| | 1709809 | | Bushing | 80 mm | | CTC-1140755 | 43.12 |
| BLADE RH | | | | | | | |
| KJA1-UP; PCA1-UP | | | | | | | |
| | 1709810 | | P-UB-10 | 80 mm | 120 mm | CTC-1709946 | 391.83 |
| | 1709810 | | Bushing | 80 mm | | CTC-1140755 | 43.12 |
| BOOM | | | | | | | |
| KJA1-UP; PCA1-UP | | | | | | | |
| | 1948228 | | P-UB-10 | 75 mm | 110 mm | CTC-1709937 | 213.67 |
| | 1948228 | | Bushing | 75 mm | | CTC-1140750 | 39.31 |
| | 1948239 | | P-UB-10 | 75 mm | 110 mm | CTC-1709937 | 213.67 |
| | 1948239 | | Bushing | 75 mm | | CTC-1140750 | 39.31 |

REPLACEMENT KITS FOR CATERPILLAR® EQUIPMENT

| Excavators | | | | | | | |
|-----------------------|-------|--------------------------------|---------|-------|--------|-------------|--------|
| APPLICATION | CYL # | Misc-Parts, Instructions, etc. | CODE | ROD | BORE | KIT # | |
| MODEL 314C LCR | | | | | | | |
| BUCKET | | | | | | | |
| KJA1-UP; PCA1-UP | | | | | | | |
| 1709808 | | | P-UB-10 | 65 mm | 100 mm | CTC-1709941 | 177.94 |
| 1709808 | | | Bushing | 65 mm | | CTC-1140754 | 32.58 |
| 2487855 | | | P-UB-10 | 65 mm | 100 mm | CTC-1709941 | 177.94 |
| 2487855 | | | Bushing | 65 mm | | CTC-1140754 | 32.58 |
| 2836118 | | | P-UB-10 | 65 mm | 100 mm | CTC-1709941 | 177.94 |
| 2836118 | | | Bushing | 65 mm | | CTC-1140754 | 32.58 |
| 2959396 | | | P-UB-10 | 65 mm | 100 mm | CTC-1709941 | 177.94 |
| 2959396 | | | Bushing | 65 mm | | CTC-1140754 | 32.58 |
| OFFSET | | | | | | | |
| KJA1-UP; PCA1-UP | | | | | | | |
| 2042765 | | | P-UB-10 | 75 mm | 130 mm | CTC-2003361 | 271.55 |
| 2042765 | | | Bushing | 75 mm | | CTC-1140750 | 39.31 |
| QUICK COUPLER | | | | | | | |
| KJA1-UP; PCA1-UP | | | | | | | |
| 1847487 | | | I-U-10 | 1-3/4 | 63 mm | CTC-1728486 | 91.40 |
| 2734147 | | | I-U-10 | 1-3/4 | 63 mm | CTC-3265237 | 91.40 |
| STICK | | | | | | | |
| KJA1-UP; PCA1-UP | | | | | | | |
| 1948250 | | | P-UB-10 | 80 mm | 120 mm | CTC-1709999 | 264.11 |
| 1948250 | | | Bushing | 80 mm | | CTC-1140755 | 43.12 |
| 1948312 | | | P-UB-10 | 80 mm | 120 mm | CTC-1709999 | 264.11 |
| 1948312 | | | Bushing | 80 mm | | CTC-1140755 | 43.12 |
| 2512894 | | | P-UB-10 | 80 mm | 120 mm | CTC-1709999 | 264.11 |
| 2512894 | | | Bushing | 80 mm | | CTC-1140755 | 43.12 |
| 3350003 | | | P-UB-10 | 80 mm | 120 mm | CTC-3350007 | 199.46 |
| 3350003 | | | Bushing | 80 mm | | CTC-1140755 | 43.12 |
| MODEL 314D CR | | | | | | | |
| BLADE LH | | | | | | | |
| PDP1-UP | | | | | | | |
| 2742682 | | | P-UB-10 | 80 mm | 120 mm | CTC-1709946 | 391.83 |
| 2742682 | | | Bushing | 80 mm | | CTC-1140755 | 43.12 |
| PDP1-UP; WLN1-UP | | | | | | | |
| 3264445 | | | P-UB-10 | 80 mm | 120 mm | CTC-1709946 | 391.83 |
| 3264445 | | | Bushing | 80 mm | | CTC-1140755 | 43.12 |
| 3852886 | | | P-UB-10 | 80 mm | 120 mm | CTC-3937948 | 350.21 |
| 3852886 | | | Bushing | 80 mm | | CTC-3852900 | 39.67 |
| BLADE RH | | | | | | | |
| PDP1-UP | | | | | | | |
| 2742683 | | | P-UB-10 | 80 mm | 120 mm | CTC-1709946 | 391.83 |
| 2742683 | | | Bushing | 80 mm | | CTC-1140755 | 43.12 |
| PDP1-UP; WLN1-UP | | | | | | | |
| 3264451 | | | P-UB-10 | 80 mm | 120 mm | CTC-1709946 | 391.83 |
| 3264451 | | | Bushing | 80 mm | | CTC-1140755 | 43.12 |
| 3852887 | | | P-UB-10 | 80 mm | 120 mm | CTC-3937948 | 350.21 |
| 3852887 | | | Bushing | 80 mm | | CTC-3852900 | 39.67 |

CATERPILLAR®

REPLACEMENT KITS FOR CATERPILLAR® EQUIPMENT

| Excavators | | | | | | | |
|---|-------|--------------------------------|-----------|-------|--------|--------------|--------|
| APPLICATION | CYL # | Misc-Parts, Instructions, etc. | CODE | ROD | BORE | KIT # | |
| MODEL 314D CR | | | | | | | |
| BOOM | | | | | | | |
| PDP1-UP; WLN1-UP | | | | | | | |
| 2897720 | | | P-UB-10 | 75 mm | 110 mm | CTC-2897733 | 530.11 |
| 2897720 | | | Bushing | 75 mm | | CTC-1140750 | 39.31 |
| 3349964 | | | P-UB-10 | 75 mm | 110 mm | CTC-2897733 | 530.11 |
| 3349964 | | | Bushing | 75 mm | | CTC-1140750 | 39.31 |
| 3852850 | | | P-UB-14 | 75 mm | 110 mm | CTC-3937887 | 293.48 |
| 3852850 | | | Bushing | 75 mm | | CTC-3937931 | 34.41 |
| 4191111 | | | P-UB-10 | 75 mm | 110 mm | CTC-3494119 | 376.37 |
| 4191111 | | | Bushing | 75 mm | | CTC-1140750 | 39.31 |
| BOOM OFFSET | | | | | | | |
| PDP1-UP; WLN1-UP | | | | | | | |
| 3845097 | | | P-UB-10 | 75 mm | 130 mm | CTC-3949688 | 226.86 |
| 3845097 | | | Bushing | 75 mm | | CTC-1140750 | 39.31 |
| BUCKET | | | | | | | |
| PDP1-UP; WLN1-UP | | | | | | | |
| 2897699 | | | P-UB-10 | 70 mm | 100 mm | CTC-2836179 | 266.41 |
| 2897699 | | | Bushing | 70 mm | | CTC-1140753 | 37.46 |
| 2898086 | | | P-UB-10 | 70 mm | 100 mm | CTC-2836179 | 266.41 |
| 2898086 | | | Bushing | 70 mm | | CTC-1140753 | 37.46 |
| 3582108 | | | P-UB-10 | 70 mm | 100 mm | CTC-3494121 | 255.14 |
| 3582108 | | | Bushing | 70 mm | | CTC-1140753 | 37.46 |
| 3852834 | | | P-UB-14 | 70 mm | 100 mm | CTC-3904227 | 306.68 |
| 3852834 | | | Bushing | 70 mm | | CTC-3904158 | 31.10 |
| COUPLER | | | | | | | |
| PDP1-UP; WLN1-UP | | | | | | | |
| 2734147 | | | I-U-10 | 1-3/4 | 63 mm | CTC-3265237 | 91.40 |
| 3006024 | | | P-U-10,12 | 1-1/2 | 2-1/2 | CTC-3465584 | 44.98 |
| OFFSET | | | | | | | |
| PDP1-UP; WLN1-UP | | | | | | | |
| 2835905 | | | P-UB-10 | 75 mm | 130 mm | CTC-2003361 | 271.55 |
| 2835905 | | | Bushing | 75 mm | | CTC-1140750 | 39.31 |
| STICK | | | | | | | |
| PDP1-UP; WLN1-UP | | | | | | | |
| 2742737 | | | P-UB-10 | 80 mm | 120 mm | CTC-2897716 | 512.31 |
| 2742737 | | | Bushing | 80 mm | | CTC-1140755 | 43.12 |
| 2897713 | | | P-UB-10 | 80 mm | 120 mm | CTC-2897716 | 512.31 |
| 2897713 | | | Bushing | 80 mm | | CTC-1140755 | 43.12 |
| 3624130 | | | P-UB-10 | 80 mm | 120 mm | CTC-3494120 | 349.97 |
| 3624130 | | | Bushing | 80 mm | | CTC-1140755 | 43.12 |
| 3852831 | | | P-UB-14 | 80 mm | 120 mm | CTC-3937949 | 305.52 |
| 3852831 | | | Bushing | 80 mm | | CTC-3852900 | 39.67 |
| TRACK ADJUSTER | | | | | | | |
| PDP1-UP; WLN1-UP | | | | | | | |
| 2979143 | | | TRK ADJ | | | CTC-2979143K | 51.81 |
| MODEL 314D LCR | | | | | | | |
| BLADE LH | | | | | | | |
| BYJ1-UP; SBP1-UP | | | | | | | |
| 2742682 | | | P-UB-10 | 80 mm | 120 mm | CTC-1709946 | 391.83 |
| 2742682 | | | Bushing | 80 mm | | CTC-1140755 | 43.12 |
| BYJ1-UP; SBP1-UP; SSZ1-UP; TXN1-UP; XHR1-UP | | | | | | | |
| 3264445 | | | P-UB-10 | 80 mm | 120 mm | CTC-1709946 | 391.83 |
| 3264445 | | | Bushing | 80 mm | | CTC-1140755 | 43.12 |
| BYJ1-UP; SSZ1-UP; TXN1-UP; XHR1-UP | | | | | | | |
| 3852886 | | | P-UB-10 | 80 mm | 120 mm | CTC-3937948 | 350.21 |
| 3852886 | | | Bushing | 80 mm | | CTC-3852900 | 39.67 |

REPLACEMENT KITS FOR CATERPILLAR® EQUIPMENT

| Excavators | | | | | | | |
|---|--------------------------|--------------------------------|-----------|-------|--------|-------------|--------|
| APPLICATION | CYL # | Misc-Parts, Instructions, etc. | CODE | ROD | BORE | KIT # | |
| MODEL 314D LCR | | | | | | | |
| BLADE RH | | | | | | | |
| BYJ1-UP; SBP1-UP | | | | | | | |
| 2742683 | | | P-UB-10 | 80 mm | 120 mm | CTC-1709946 | 391.83 |
| 2742683 | | | Bushing | 80 mm | | CTC-1140755 | 43.12 |
| BYJ1-UP; SBP1-UP; SSZ1-UP; TXN1-UP; XHR1-UP | | | | | | | |
| 3264451 | | | P-UB-10 | 80 mm | 120 mm | CTC-1709946 | 391.83 |
| 3264451 | | | Bushing | 80 mm | | CTC-1140755 | 43.12 |
| BYJ1-UP; SSZ1-UP; TXN1-UP; XHR1-UP | | | | | | | |
| 3852887 | | | P-UB-10 | 80 mm | 120 mm | CTC-3937948 | 350.21 |
| 3852887 | | | Bushing | 80 mm | | CTC-3852900 | 39.67 |
| BOOM | | | | | | | |
| BYJ1-UP; SBP1-UP; SSZ1-UP; TXN1-UP; XHR1-UP | | | | | | | |
| 2897720 | | | P-UB-10 | 75 mm | 110 mm | CTC-2897733 | 530.11 |
| 2897720 | | | Bushing | 75 mm | | CTC-1140750 | 39.31 |
| 3349964 | | | P-UB-10 | 75 mm | 110 mm | CTC-2897733 | 530.11 |
| 3349964 | | | Bushing | 75 mm | | CTC-1140750 | 39.31 |
| BYJ1-UP; SSZ1-UP; TXN1-UP; XHR1-UP | | | | | | | |
| 3852850 | | | P-UB-14 | 75 mm | 110 mm | CTC-3937887 | 293.48 |
| 3852850 | | | Bushing | 75 mm | | CTC-3937931 | 34.41 |
| BYJ1-UP; SSZ1-UP; XHR1-UP | | | | | | | |
| 4191111 | | | P-UB-10 | 75 mm | 110 mm | CTC-3494119 | 376.37 |
| 4191111 | | | Bushing | 75 mm | | CTC-1140750 | 39.31 |
| SBP1-UP; TXN1-UP | | | | | | | |
| 1847660 | Variable Adjustable Boom | | P-UB-10 | 85 mm | 140 mm | CTC-3808347 | 255.98 |
| 2959458 | | | P-UB-10 | 75 mm | 110 mm | CTC-2897733 | 530.11 |
| 2959458 | | | Bushing | 75 mm | | CTC-1140750 | 39.31 |
| BOOM OFFSET | | | | | | | |
| BYJ1-UP; SSZ1-UP; XHR1-UP | | | | | | | |
| 3845097 | | | P-UB-10 | 75 mm | 130 mm | CTC-3949688 | 226.86 |
| 3845097 | | | Bushing | 75 mm | | CTC-1140750 | 39.31 |
| BUCKET | | | | | | | |
| BYJ1-UP; SBP1-UP; SSZ1-UP; TXN1-UP; XHR1-UP | | | | | | | |
| 2897699 | | | P-UB-10 | 70 mm | 100 mm | CTC-2836179 | 266.41 |
| 2897699 | | | Bushing | 70 mm | | CTC-1140753 | 37.46 |
| BYJ1-UP; SSZ1-UP; TXN1-UP; XHR1-UP | | | | | | | |
| 2898086 | | | P-UB-10 | 70 mm | 100 mm | CTC-2836179 | 266.41 |
| 2898086 | | | Bushing | 70 mm | | CTC-1140753 | 37.46 |
| 3852834 | | | P-UB-14 | 70 mm | 100 mm | CTC-3904227 | 306.68 |
| 3852834 | | | Bushing | 70 mm | | CTC-3904158 | 31.10 |
| BYJ1-UP; SSZ1-UP; XHR1-UP | | | | | | | |
| 3582108 | | | P-UB-10 | 70 mm | 100 mm | CTC-3494121 | 255.14 |
| 3582108 | | | Bushing | 70 mm | | CTC-1140753 | 37.46 |
| COUPLER | | | | | | | |
| BYJ1-UP; SBP1-UP; SSZ1-UP; TXN1-UP; XHR1-UP | | | | | | | |
| 2734147 | | | I-U-10 | 1-3/4 | 63 mm | CTC-3265237 | 91.40 |
| BYJ1-UP; SSZ1-UP; TXN1-UP; XHR1-UP | | | | | | | |
| 3006024 | | | P-U-10,12 | 1-1/2 | 2-1/2 | CTC-3465584 | 44.98 |
| OFFSET | | | | | | | |
| BYJ1-UP; SBP1-UP; SSZ1-UP; TXN1-UP; XHR1-UP | | | | | | | |
| 2835905 | | | P-UB-10 | 75 mm | 130 mm | CTC-2003361 | 271.55 |
| 2835905 | | | Bushing | 75 mm | | CTC-1140750 | 39.31 |

REPLACEMENT KITS FOR CATERPILLAR® EQUIPMENT

| Excavators | | | | | | | |
|---|--------|--------------------------------|---------|-------|--------|--------------|--------|
| APPLICATION | CYL # | Misc-Parts, Instructions, etc. | CODE | ROD | BORE | KIT # | |
| MODEL 314D LCR | | | | | | | |
| STICK | | | | | | | |
| BYJ1-UP; SBP1-UP; SSZ1-UP; TXN1-UP; XHR1-UP | | | | | | | |
| 2742737 | | | P-UB-10 | 80 mm | 120 mm | CTC-2897716 | 512.31 |
| 2742737 | | | Bushing | 80 mm | | CTC-1140755 | 43.12 |
| 2897713 | | | P-UB-10 | 80 mm | 120 mm | CTC-2897716 | 512.31 |
| 2897713 | | | Bushing | 80 mm | | CTC-1140755 | 43.12 |
| BYJ1-UP; SSZ1-UP; TXN1-UP; XHR1-UP | | | | | | | |
| 3624130 | | | P-UB-10 | 80 mm | 120 mm | CTC-3494120 | 349.97 |
| 3624130 | | | Bushing | 80 mm | | CTC-1140755 | 43.12 |
| 3852831 | | | P-UB-14 | 80 mm | 120 mm | CTC-3937949 | 305.52 |
| 3852831 | | | Bushing | 80 mm | | CTC-3852900 | 39.67 |
| SBP1-UP; TXN1-UP | | | | | | | |
| 2897726 | | | P-UB-10 | 75 mm | 110 mm | CTC-2897733 | 530.11 |
| 2897726 | | | Bushing | 75 mm | | CTC-1140750 | 39.31 |
| TRACK ADJUSTER | | | | | | | |
| BYJ1-UP; SBP1-UP; SSZ1-UP; TXN1-UP; XHR1-UP | | | | | | | |
| 2979143 | | | TRK ADJ | | | CTC-2979143K | 51.81 |
| MODEL 314E CR | | | | | | | |
| BLADE LH | | | | | | | |
| ECN1-UP; GMD1-UP | | | | | | | |
| 3852886 | | | P-UB-10 | 80 mm | 120 mm | CTC-3937948 | 350.21 |
| 3852886 | | | Bushing | 80 mm | | CTC-3852900 | 39.67 |
| BLADE RH | | | | | | | |
| ECN1-UP; GMD1-UP | | | | | | | |
| 3852887 | | | P-UB-10 | 80 mm | 120 mm | CTC-3937948 | 350.21 |
| 3852887 | | | Bushing | 80 mm | | CTC-3852900 | 39.67 |
| BOOM | | | | | | | |
| ECN1-UP | | | | | | | |
| 3624127 | Type 1 | | P-UB-10 | 75 mm | 110 mm | CTC-2897733 | 530.11 |
| 3624127 | Type 1 | | Bushing | 75 mm | | CTC-1140750 | 39.31 |
| 3713870 | | | P-UB-10 | 75 mm | 110 mm | CTC-3494119 | 376.37 |
| 3713870 | | | Bushing | 75 mm | | CTC-1140750 | 39.31 |
| ECN1-UP; GMD1-UP | | | | | | | |
| 3624127 | Type 2 | | P-UB-10 | 75 mm | 110 mm | CTC-3494119 | 376.37 |
| 3624127 | Type 2 | | Bushing | 75 mm | | CTC-1140750 | 39.31 |
| 3852850 | | | P-UB-14 | 75 mm | 110 mm | CTC-3937887 | 293.48 |
| 3852850 | | | Bushing | 75 mm | | CTC-3937931 | 34.41 |
| BOOM OFFSET | | | | | | | |
| ECN1-UP; GMD1-UP | | | | | | | |
| 3845097 | | | P-UB-10 | 75 mm | 130 mm | CTC-3949688 | 226.86 |
| 3845097 | | | Bushing | 75 mm | | CTC-1140750 | 39.31 |
| BUCKET | | | | | | | |
| ECN1-UP | | | | | | | |
| 3582108 | | | P-UB-10 | 70 mm | 100 mm | CTC-3494121 | 255.14 |
| 3582108 | | | Bushing | 70 mm | | CTC-1140753 | 37.46 |
| ECN1-UP; GMD1-UP | | | | | | | |
| 3852834 | | | P-UB-14 | 70 mm | 100 mm | CTC-3904227 | 306.68 |
| 3852834 | | | Bushing | 70 mm | | CTC-3904158 | 31.10 |
| GMD1-UP | | | | | | | |
| 3687047 | | | P-UB-10 | 70 mm | 100 mm | CTC-3494121 | 255.14 |
| 3687047 | | | Bushing | 70 mm | | CTC-1140753 | 37.46 |

REPLACEMENT KITS FOR CATERPILLAR® EQUIPMENT

| Excavators | | | | | | | |
|---------------------------|--------------|--------------------------------|-----------|-------|--------|--------------|--------|
| APPLICATION | CYL # | Misc-Parts, Instructions, etc. | CODE | ROD | BORE | KIT # | |
| MODEL 314E CR | | | | | | | |
| STICK | | | | | | | |
| ECN1-UP; GMD1-UP | | | | | | | |
| 3624130 | | | P-UB-10 | 80 mm | 120 mm | CTC-3494120 | 349.97 |
| 3624130 | | | Bushing | 80 mm | | CTC-1140755 | 43.12 |
| 3852831 | | | P-UB-14 | 80 mm | 120 mm | CTC-3937949 | 305.52 |
| 3852831 | | | Bushing | 80 mm | | CTC-3852900 | 39.67 |
| TRACK ADJUSTER | | | | | | | |
| ECN1-UP; GMD1-UP | | | | | | | |
| 2979143 | | | TRK ADJ | | | CTC-2979143K | 51.81 |
| MODEL 314E LCR | | | | | | | |
| BLADE LH | | | | | | | |
| DKD1-UP; YCW1-UP; ZJT1-UP | | | | | | | |
| 3852886 | | | P-UB-10 | 80 mm | 120 mm | CTC-3937948 | 350.21 |
| 3852886 | | | Bushing | 80 mm | | CTC-3852900 | 39.67 |
| BLADE RH | | | | | | | |
| DKD1-UP; YCW1-UP; ZJT1-UP | | | | | | | |
| 3852887 | | | P-UB-10 | 80 mm | 120 mm | CTC-3937948 | 350.21 |
| 3852887 | | | Bushing | 80 mm | | CTC-3852900 | 39.67 |
| BOOM | | | | | | | |
| DKD1-UP | | | | | | | |
| 1847660 | Variable Adj | | P-UB-10 | 85 mm | 140 mm | CTC-3808347 | 255.98 |
| 1847660 | Variable Adj | | Bushing | 85 mm | | CTC-1140756 | 47.03 |
| 4156387 | | | P-UB-14 | 75 mm | 110 mm | CTC-3937887 | 293.48 |
| 4156387 | | | Bushing | 75 mm | | CTC-3937931 | 34.41 |
| DKD1-UP; YCW1-UP; ZJT1-UP | | | | | | | |
| 3624127 | Type 1 | | P-UB-10 | 75 mm | 110 mm | CTC-2897733 | 530.11 |
| 3624127 | Type 2 | | P-UB-10 | 75 mm | 110 mm | CTC-3494119 | 376.37 |
| 3624127 | Type 1 & 2 | | Bushing | 75 mm | | CTC-1140750 | 39.31 |
| 3713870 | | | P-UB-10 | 75 mm | 110 mm | CTC-3494119 | 376.37 |
| 3713870 | | | Bushing | 75 mm | | CTC-1140750 | 39.31 |
| 3852850 | | | P-UB-14 | 75 mm | 110 mm | CTC-3937887 | 293.48 |
| 3852850 | | | Bushing | 75 mm | | CTC-3937931 | 34.41 |
| BOOM OFFSET | | | | | | | |
| DKD1-UP; ZJT1-UP | | | | | | | |
| 3845097 | | | P-UB-10 | 75 mm | 130 mm | CTC-3949688 | 226.86 |
| 3845097 | | | Bushing | 75 mm | | CTC-1140750 | 39.31 |
| BUCKET | | | | | | | |
| DKD1-UP; YCW1-UP; ZJT1-UP | | | | | | | |
| 3582108 | | | P-UB-10 | 70 mm | 100 mm | CTC-3494121 | 255.14 |
| 3582108 | | | Bushing | 70 mm | | CTC-1140753 | 37.46 |
| 3852834 | | | P-UB-14 | 70 mm | 100 mm | CTC-3904227 | 306.68 |
| 3852834 | | | Bushing | 70 mm | | CTC-3904158 | 31.10 |
| DKD1-UP; ZJT1-UP | | | | | | | |
| 3687047 | | | P-UB-10 | 70 mm | 100 mm | CTC-3494121 | 255.14 |
| 3687047 | | | Bushing | 70 mm | | CTC-1140753 | 37.46 |
| YCW1-UP | | | | | | | |
| 3746547 | | | P-UB-10 | 75 mm | 110 mm | CTC-3494119 | 376.37 |
| 3746547 | | | Bushing | 75 mm | | CTC-1140750 | 39.31 |
| 3852885 | | | P-UB-14 | 75 mm | 110 mm | CTC-3937887 | 293.48 |
| 3852885 | | | Bushing | 75 mm | | CTC-3937931 | 34.41 |
| COUPLER | | | | | | | |
| ZJT1-UP | | | | | | | |
| 3006024 | | | P-U-10,12 | 1-1/2 | 2-1/2 | CTC-3465584 | 44.98 |

REPLACEMENT KITS FOR CATERPILLAR® EQUIPMENT

| Excavators | | | | | | | |
|------------------------------------|-------|--------------------------------|---------|-------|--------|--------------|--------|
| APPLICATION | CYL # | Misc-Parts, Instructions, etc. | CODE | ROD | BORE | KIT # | |
| MODEL 314E LCR | | | | | | | |
| STICK | | | | | | | |
| DKD1-UP; YCW1-UP; ZJT1-UP | | | | | | | |
| 3624130 | | | P-UB-10 | 80 mm | 120 mm | CTC-3494120 | 349.97 |
| 3624130 | | | Bushing | 80 mm | | CTC-1140755 | 43.12 |
| 3852831 | | | P-UB-14 | 80 mm | 120 mm | CTC-3937949 | 305.52 |
| 3852831 | | | Bushing | 80 mm | | CTC-3852900 | 39.67 |
| DKD1-UP; ZJT1-UP | | | | | | | |
| 3582102 | | | P-UB-10 | 80 mm | 120 mm | CTC-3494120 | 349.97 |
| 3582102 | | | Bushing | 80 mm | | CTC-1140755 | 43.12 |
| TRACK ADJUSTER | | | | | | | |
| DKD1-UP; YCW1-UP; ZJT1-UP | | | | | | | |
| 2979143 | | | TRK ADJ | | | CTC-2979143K | 51.81 |
| MODEL 315 | | | | | | | |
| BOOM | | | | | | | |
| 1057336 | | | P-UB-10 | 80 mm | 110 mm | CTC-1057359 | 336.25 |
| 1276046 | | | P-UB-10 | 80 mm | 110 mm | CTC-1057359 | 336.25 |
| BUCKET | | | | | | | |
| 1057381 | | | P-UB-10 | 70 mm | 100 mm | CTC-1057397 | 278.11 |
| 1076640 | | | P-UB-10 | 80 mm | 110 mm | CTC-1057359 | 336.25 |
| 1276056 | | | P-UB-10 | 70 mm | 100 mm | CTC-1057397 | 278.11 |
| 1276060 | | | P-UB-10 | 80 mm | 110 mm | CTC-1057359 | 336.25 |
| STICK | | | | | | | |
| 1057362 | | | P-UB-10 | 85 mm | 120 mm | CTC-1057379 | 355.49 |
| 1276051 | | | P-UB-10 | 85 mm | 120 mm | CTC-1057379 | 355.49 |
| 1624672 | | | P-UB-10 | 85 mm | 120 mm | CTC-1624676 | 142.62 |
| MODEL 315B | | | | | | | |
| BOOM | | | | | | | |
| 1SW1-UP; 3AW1-UP; 7RZ1-UP | | | | | | | |
| 1559251 | | | P-UB-10 | 80 mm | 110 mm | CTC-1659420 | 190.74 |
| 1559251 | | | Bushing | 80 mm | | CTC-1140755 | 43.12 |
| BUCKET | | | | | | | |
| 1SW1-UP; 3AW1-UP; 7RZ1-UP | | | | | | | |
| 1733490 | | | P-UB-10 | 70 mm | 100 mm | CTC-1799638 | 134.04 |
| 1733490 | | | Bushing | 70 mm | | CTC-1140753 | 37.46 |
| STICK | | | | | | | |
| 1SW1-UP; 3AW1-UP; 7RZ1-UP | | | | | | | |
| 1559253 | | | P-UB-10 | 85 mm | 120 mm | CTC-1659418 | 191.76 |
| 1559253 | | | Bushing | 85 mm | | CTC-1140756 | 47.03 |
| MODEL 315B L | | | | | | | |
| BOOM | | | | | | | |
| 1SW1-UP; 3AW1-UP; 5SW1-UP; 7RZ1-UP | | | | | | | |
| 1559251 | | | P-UB-10 | 80 mm | 110 mm | CTC-1659420 | 190.74 |
| 1559251 | | | Bushing | 80 mm | | CTC-1140755 | 43.12 |
| 5SW1-UP | | | | | | | |
| 1336630 | | | P-UB-10 | 80 mm | 110 mm | CTC-1336646 | 339.87 |
| 1336630 | | | Bushing | 80 mm | | CTC-1140755 | 43.12 |
| 1847660 | | | P-UB-10 | 85 mm | 140 mm | CTC-3808347 | 255.98 |
| 1847660 | | | Bushing | 85 mm | | CTC-1140756 | 47.03 |
| BUCKET | | | | | | | |
| 1SW1-UP; 3AW1-UP; 7RZ1-UP | | | | | | | |
| 1733490 | | | P-UB-10 | 70 mm | 100 mm | CTC-1799638 | 134.04 |
| 1733490 | | | Bushing | 70 mm | | CTC-1140753 | 37.46 |

REPLACEMENT KITS FOR CATERPILLAR® EQUIPMENT

| Excavators | | | | | | | |
|---|-------|--------------------------------|---------|-------|--------|-------------|--------|
| APPLICATION | CYL # | Misc-Parts, Instructions, etc. | CODE | ROD | BORE | KIT # | |
| MODEL 315B L | | | | | | | |
| BUCKET | | | | | | | |
| 5SW1-UP | | | | | | | |
| 1336636 | | | P-UB-10 | 70 mm | 100 mm | CTC-1336691 | 295.06 |
| 1336636 | | | Bushing | 70 mm | | CTC-1140753 | 37.46 |
| 1336639 | | | P-UB-10 | 80 mm | 110 mm | CTC-1336646 | 339.87 |
| 1336639 | | | Bushing | 80 mm | | CTC-1140755 | 43.12 |
| 1559255 | | | P-UB-10 | 70 mm | 100 mm | CTC-1709827 | 150.42 |
| 1559255 | | | Bushing | 70 mm | | CTC-1140753 | 37.46 |
| 1588923 | | | P-UB-10 | 80 mm | 110 mm | CTC-1659420 | 190.74 |
| 1588923 | | | Bushing | 80 mm | | CTC-1140755 | 43.12 |
| STICK | | | | | | | |
| 1SW1-UP; 3AW1-UP; 5SW1-UP; 7RZ1-UP | | | | | | | |
| 1559253 | | | P-UB-10 | 85 mm | 120 mm | CTC-1659418 | 191.76 |
| 1559253 | | | Bushing | 85 mm | | CTC-1140756 | 47.03 |
| 5SW1-UP | | | | | | | |
| 1336633 | | | P-UB-10 | 85 mm | 120 mm | CTC-1184131 | 342.72 |
| 1336633 | | | Bushing | 85 mm | | CTC-1140756 | 47.03 |
| MODEL 315C | | | | | | | |
| BOOM | | | | | | | |
| AKE1-UP; CFB1-UP; CFT1-UP; CJC1-UP | | | | | | | |
| 1733482 | | | P-UB-10 | 80 mm | 110 mm | CTC-1799625 | 345.30 |
| 1733482 | | | Bushing | 80 mm | | CTC-1140755 | 43.12 |
| BUCKET | | | | | | | |
| AKE1-UP; CFB1-UP; CFT1-UP; CJC1-UP | | | | | | | |
| 1733490 | | | P-UB-10 | 70 mm | 100 mm | CTC-1799638 | 134.04 |
| 1733490 | | | Bushing | 70 mm | | CTC-1140753 | 37.46 |
| 1733493 | | | P-UB-10 | 80 mm | 110 mm | CTC-1799625 | 345.30 |
| 1733493 | | | Bushing | 80 mm | | CTC-1140755 | 43.12 |
| 2836126 | | | P-UB-10 | 70 mm | 100 mm | CTC-1799638 | 134.04 |
| 2836126 | | | Bushing | 70 mm | | CTC-1140753 | 37.46 |
| 2836128 | | | P-UB-10 | 80 mm | 110 mm | CTC-1799625 | 345.30 |
| 2836128 | | | Bushing | 80 mm | | CTC-1140755 | 43.12 |
| QUICK COUPLER | | | | | | | |
| AKE1-UP; CFB1-UP; CFT1-UP; CJC1-UP | | | | | | | |
| 1847488 | | | I-U-10 | 50 mm | 70 mm | CTC-1728487 | 74.76 |
| STICK | | | | | | | |
| AKE1-UP; CFB1-UP; CFT1-UP; CJC1-UP | | | | | | | |
| 1733486 | | | P-UB-10 | 85 mm | 120 mm | CTC-1799634 | 191.76 |
| 1733486 | | | Bushing | 85 mm | | CTC-1140756 | 47.03 |
| MODEL 315C L | | | | | | | |
| BOOM | | | | | | | |
| AKE1-UP; ANF1-UP; CFB1-UP; CFT1-UP; CJC1-UP | | | | | | | |
| 1733482 | | | P-UB-10 | 80 mm | 110 mm | CTC-1799625 | 345.30 |
| 1733482 | | | Bushing | 80 mm | | CTC-1140755 | 43.12 |
| ANF1-UP | | | | | | | |
| 1559251 | | | P-UB-10 | 80 mm | 110 mm | CTC-1659420 | 190.74 |
| 1559251 | | | Bushing | 80 mm | | CTC-1140755 | 43.12 |
| 1847660 | | | P-UB-10 | 85 mm | 140 mm | CTC-3808347 | 255.98 |
| 1847660 | | | Bushing | 85 mm | | CTC-1140756 | 47.03 |

REPLACEMENT KITS FOR CATERPILLAR® EQUIPMENT

| Excavators | | | | | | | |
|--|-------|--------------------------------|---------|-------|--------|-------------|--------|
| APPLICATION | CYL # | Misc-Parts, Instructions, etc. | CODE | ROD | BORE | KIT # | |
| MODEL 315C L | | | | | | | |
| BUCKET | | | | | | | |
| AKE1-UP; ANF1-UP; CFB1-UP; CFT1-UP; CJC1-UP | | | | | | | |
| 1733490 | | | P-UB-10 | 70 mm | 100 mm | CTC-1799638 | 134.04 |
| 1733490 | | | Bushing | 70 mm | | CTC-1140753 | 37.46 |
| 1733493 | | | P-UB-10 | 80 mm | 110 mm | CTC-1799625 | 345.30 |
| 1733493 | | | Bushing | 80 mm | | CTC-1140755 | 43.12 |
| 2836126 | | | P-UB-10 | 70 mm | 100 mm | CTC-1799638 | 134.04 |
| 2836126 | | | Bushing | 70 mm | | CTC-1140753 | 37.46 |
| AKE1-UP; CFB1-UP; CFT1-UP; CJC1-UP | | | | | | | |
| 2836128 | | | P-UB-10 | 80 mm | 110 mm | CTC-1799625 | 345.30 |
| 2836128 | | | Bushing | 80 mm | | CTC-1140755 | 43.12 |
| ANF1-UP | | | | | | | |
| 2836128 | | | P-UB-10 | 80 mm | 110 mm | CTC-1799625 | 345.30 |
| 2836128 | | | Bushing | 80 mm | | CTC-1140755 | 43.12 |
| QUICK COUPLER | | | | | | | |
| AKE1-UP; CFB1-UP; CFT1-UP; CJC1-UP | | | | | | | |
| 1847488 | | | I-U-10 | 50 mm | 70 mm | CTC-1728487 | 74.76 |
| STICK | | | | | | | |
| AKE1-UP; CFB1-UP; CFT1-UP; CJC1-UP | | | | | | | |
| 1733486 | | | P-UB-10 | 85 mm | 120 mm | CTC-1799634 | 191.76 |
| 1733486 | | | Bushing | 85 mm | | CTC-1140756 | 47.03 |
| ANF1-UP | | | | | | | |
| 1559253 | | | P-UB-10 | 85 mm | 120 mm | CTC-1659418 | 191.76 |
| 1559253 | | | Bushing | 85 mm | | CTC-1140756 | 47.03 |
| 2248528 | | | P-UB-10 | 85 mm | 120 mm | CTC-1659418 | 191.76 |
| 2248528 | | | Bushing | 85 mm | | CTC-1140756 | 47.03 |
| MODEL 315D L | | | | | | | |
| BOOM | | | | | | | |
| BZN1-UP; CJN1-UP; JGS1-UP; JHA1-UP; KBD1-UP; NCM1-UP | | | | | | | |
| 2590840 | | | P-UB-10 | 80 mm | 110 mm | CTC-2667861 | 188.28 |
| BZN1-UP; CJN1-UP; JGS1-UP; NCM1-UP; TLE1-UP | | | | | | | |
| 2898093 | | | P-UB-10 | 80 mm | 110 mm | CTC-2667861 | 188.28 |
| NCM1-UP; TLE1-UP | | | | | | | |
| 1847660 | | | P-UB-10 | 85 mm | 140 mm | CTC-3808347 | 255.98 |
| BUCKET | | | | | | | |
| BZN1-UP; CJN1-UP; JGS1-UP | | | | | | | |
| 2818979 | | | P-UB-10 | 70 mm | 100 mm | CTC-1799638 | 134.04 |
| 3021734 | | | P-UB-10 | 80 mm | 110 mm | CTC-1799625 | 345.30 |
| BZN1-UP; CJN1-UP; JGS1-UP; JHA1-UP; KBD1-UP | | | | | | | |
| 3228747 | | | P-UB-10 | 80 mm | 110 mm | CTC-1799625 | 345.30 |
| BZN1-UP; JGS1-UP; KBD1-UP | | | | | | | |
| 3421892 | | | P-UB-10 | 80 mm | 110 mm | CTC-1799625 | 345.30 |
| CJN1-UP | | | | | | | |
| 2590916 | | | P-UB-10 | 80 mm | 110 mm | CTC-1799625 | 345.30 |
| CJN1-UP; JGS1-UP; NCM1-UP; TLE1-UP | | | | | | | |
| 3349944 | | | P-UB-10 | 80 mm | 110 mm | CTC-1799625 | 345.30 |
| CJN1-UP; KBD1-UP | | | | | | | |
| 2590846 | | | P-UB-10 | 70 mm | 100 mm | CTC-1799638 | 134.04 |
| CJN1-UP; NCM1-UP | | | | | | | |
| 2898121 | | | P-UB-10 | 80 mm | 110 mm | CTC-1799625 | 345.30 |
| CJN1-UP; NCM1-UP; TLE1-UP | | | | | | | |
| 2898113 | | | P-UB-10 | 70 mm | 100 mm | CTC-1799638 | 134.04 |
| COUPLER | | | | | | | |
| BZN1-UP; CJN1-UP; JGS1-UP; KBD1-UP; NCM1-UP; TLE1-UP | | | | | | | |
| 2569795 | | | I-U-10 | 50 mm | 70 mm | CTC-1728487 | 74.76 |

REPLACEMENT KITS FOR CATERPILLAR® EQUIPMENT

| Excavators | | | | | | | |
|---|--------------|--------------------------------|-----------|-------|--------|-------------|--------|
| APPLICATION | CYL # | Misc-Parts, Instructions, etc. | CODE | ROD | BORE | KIT # | |
| MODEL 315D L | | | | | | | |
| COUPLER | | | | | | | |
| BZN1-UP; JGS1-UP | | | | | | | |
| 3052017 | | | P-U-10,12 | 1-3/4 | 3 | CTC-3465609 | 53.57 |
| NCM1-UP; TLE1-UP | | | | | | | |
| 1690329 | | | I-U-5 | 40 mm | 60 mm | CTC-2027897 | 56.71 |
| STICK | | | | | | | |
| BZN1-UP; CJN1-UP; JGS1-UP; JHA1-UP; KBD1-UP | | | | | | | |
| 2590843 | | | P-UB-10 | 85 mm | 120 mm | CTC-2667874 | 169.30 |
| BZN1-UP; CJN1-UP; JGS1-UP; NCM1-UP; TLE1-UP | | | | | | | |
| 3228746 | | | P-UB-10 | 85 mm | 120 mm | CTC-2667874 | 169.30 |
| CJN1-UP | | | | | | | |
| 2898103 | | | P-UB-10 | 85 mm | 120 mm | CTC-2667874 | 169.30 |
| NCM1-UP | | | | | | | |
| 2884014 | | | P-UB-10 | 85 mm | 120 mm | CTC-2667874 | 169.30 |
| MODEL 315F LCR | | | | | | | |
| BLADE LH | | | | | | | |
| TDY1-UP | | | | | | | |
| 3852886 | | | P-UB-10 | 80 mm | 120 mm | CTC-3937948 | 350.21 |
| 3852886 | | | Bushing | 80 mm | | CTC-3852900 | 39.67 |
| BLADE RH | | | | | | | |
| TDY1-UP | | | | | | | |
| 3852887 | | | P-UB-10 | 80 mm | 120 mm | CTC-3937948 | 350.21 |
| 3852887 | | | Bushing | 80 mm | | CTC-3852900 | 39.67 |
| BOOM | | | | | | | |
| TDY1-UP | | | | | | | |
| 3624127 | | | P-UB-10 | 75 mm | 110 mm | CTC-3494119 | 376.37 |
| 3624127 | | | Bushing | 75 mm | | CTC-1140750 | 39.31 |
| 3845097 | | | P-UB-10 | 75 mm | 130 mm | CTC-3949688 | 226.86 |
| 3845097 | | | Bushing | 75 mm | | CTC-1140750 | 39.31 |
| 3852828 | | | P-UB-14 | 75 mm | 110 mm | CTC-3937887 | 293.48 |
| 3852828 | | | Bushing | 75 mm | | CTC-3937931 | 34.41 |
| 3852850 | | | P-UB-14 | 75 mm | 110 mm | CTC-3937887 | 293.48 |
| 3852850 | | | Bushing | 75 mm | | CTC-3937931 | 34.41 |
| 4156387 | | | P-UB-14 | 75 mm | 110 mm | CTC-3937887 | 293.48 |
| 4156387 | | | Bushing | 75 mm | | CTC-3937931 | 34.41 |
| BOOM VAR ADJ | | | | | | | |
| TDY1-UP | | | | | | | |
| 1847660 | | | P-UB-10 | 85 mm | 140 mm | CTC-3808347 | 255.98 |
| 1847660 | | | Bushing | 85 mm | | CTC-1140756 | 47.03 |
| BUCKET | | | | | | | |
| TDY1-UP | | | | | | | |
| 3582108 | | | P-UB-10 | 70 mm | 100 mm | CTC-3494121 | 255.14 |
| 3582108 | | | Bushing | 70 mm | | CTC-1140753 | 37.46 |
| 3687047 | | | P-UB-10 | 70 mm | 100 mm | CTC-3494121 | 255.14 |
| 3687047 | | | Bushing | 70 mm | | CTC-1140753 | 37.46 |
| 3852834 | | | P-UB-14 | 70 mm | 100 mm | CTC-3904227 | 306.68 |
| 3852834 | | | Bushing | 70 mm | | CTC-3904158 | 31.10 |
| 3852885 | | | P-UB-14 | 75 mm | 110 mm | CTC-3937887 | 293.48 |
| 3852885 | | | Bushing | 75 mm | | CTC-3937931 | 34.41 |
| 4699342 | Head 3234218 | | I-U-10 | 50 mm | 80 mm | CTC-3240356 | 112.03 |
| 4699342 | Head 4914780 | | P-U-10 | 50 mm | 80 mm | CTC-5016702 | 104.94 |
| 4699353 | Head 3234218 | | I-U-10 | 50 mm | 80 mm | CTC-3240356 | 112.03 |
| 4699353 | Head 4914780 | | P-U-10 | 50 mm | 80 mm | CTC-5016702 | 104.94 |

CATERPILLAR®

REPLACEMENT KITS FOR CATERPILLAR® EQUIPMENT

| Excavators | | | | | | | |
|---------------------------|-------|--------------------------------|-------------|-------|--------|--------------|--------|
| APPLICATION | CYL # | Misc-Parts, Instructions, etc. | CODE | ROD | BORE | KIT # | |
| MODEL 315F LCR | | | | | | | |
| COUPLER | | | | | | | |
| TDY1-UP | | | | | | | |
| 3954045 | | | I-U-10 | 1 | 1-3/4 | CTC-4536525 | 26.28 |
| 3954045 | | | Chk Vlv Kit | | | CTC-2138433 | 17.12 |
| 5697997 | | | I-U-10 | 1 | 1-3/4 | CTC-4536525 | 26.28 |
| 5697997 | | | Chk Vlv Kit | | | CTC-2138433 | 17.12 |
| STICK | | | | | | | |
| TDY1-UP | | | | | | | |
| 3624130 | | | P-UB-10 | 80 mm | 120 mm | CTC-3494120 | 349.97 |
| 3624130 | | | Bushing | 80 mm | | CTC-1140755 | 43.12 |
| 3852831 | | | P-UB-14 | 80 mm | 120 mm | CTC-3937949 | 305.52 |
| 3852831 | | | Bushing | 80 mm | | CTC-3852900 | 39.67 |
| TRACK ADJUSTER | | | | | | | |
| TDY1-UP | | | | | | | |
| 2979143 | | | TRK ADJ | | | CTC-2979143K | 51.81 |
| MODEL 315L | | | | | | | |
| BOOM | | | | | | | |
| 1057336 | | | P-UB-10 | 80 mm | 110 mm | CTC-1057359 | 336.25 |
| BUCKET | | | | | | | |
| 1057381 | | | P-UB-10 | 70 mm | 100 mm | CTC-1057397 | 278.11 |
| 1076640 | | | P-UB-10 | 80 mm | 110 mm | CTC-1057359 | 336.25 |
| STICK | | | | | | | |
| 1057362 | | | P-UB-10 | 85 mm | 120 mm | CTC-1057379 | 355.49 |
| MODEL 316E L | | | | | | | |
| BOOM | | | | | | | |
| DZW1-UP; WZY1-UP; YZZ1-UP | | | | | | | |
| 3604557 | | | P-UB-10 | 80 mm | 110 mm | CTC-3604580 | 181.83 |
| 3604557 | | | Bushing | 80 mm | | CTC-1140755 | 43.12 |
| 3852913 | | | P-UB-14 | 80 mm | 110 mm | CTC-3852908 | 227.39 |
| 3852913 | | | Bushing | 80 mm | | CTC-3852900 | 39.67 |
| YZZ1-UP | | | | | | | |
| 1847660 | | | P-UB-10 | 85 mm | 140 mm | CTC-3808347 | 255.98 |
| 1847660 | | | Bushing | 85 mm | | CTC-1140756 | 47.03 |
| BUCKET | | | | | | | |
| DZW1-UP; WZY1-UP; YZZ1-UP | | | | | | | |
| 3604563 | | | P-UB-10 | 80 mm | 110 mm | CTC-3604582 | 165.13 |
| 3604563 | | | Bushing | 80 mm | | CTC-1140755 | 43.12 |
| 3852917 | | | P-UB-14 | 80 mm | 110 mm | CTC-3852946 | 179.26 |
| 3852917 | | | Bushing | 80 mm | | CTC-3852900 | 39.67 |
| DZW1-UP; YZZ1-UP | | | | | | | |
| 3678623 | | | P-UB-10 | 80 mm | 110 mm | CTC-3604582 | 165.13 |
| 3678623 | | | Bushing | 80 mm | | CTC-1140755 | 43.12 |
| COUPLER | | | | | | | |
| DZW1-UP; YZZ1-UP | | | | | | | |
| 2569795 | | | I-U-10 | 50 mm | 70 mm | CTC-1728487 | 74.76 |
| 3052017 | | | P-U-10,12 | 1-3/4 | 3 | CTC-3465609 | 53.57 |
| YZZ1-UP | | | | | | | |
| 1690329 | | | I-U-5 | 40 mm | 60 mm | CTC-2027897 | 56.71 |
| STICK | | | | | | | |
| DZW1-UP; WZY1-UP; YZZ1-UP | | | | | | | |
| 3604560 | | | P-UB-10 | 85 mm | 120 mm | CTC-3604581 | 233.18 |
| 3604560 | | | Bushing | 85 mm | | CTC-1140756 | 47.03 |
| 3852915 | | | P-UB-14 | 85 mm | 120 mm | CTC-3852942 | 207.86 |
| 3852915 | | | Bushing | 85 mm | | CTC-3852934 | 44.04 |

REPLACEMENT KITS FOR CATERPILLAR® EQUIPMENT

| Excavators | | | | | | | |
|---------------------------------------|---------|--------------------------------|-----------|-------|--------|--------------|--------|
| APPLICATION | CYL # | Misc-Parts, Instructions, etc. | CODE | ROD | BORE | KIT # | |
| MODEL 316E L | | | | | | | |
| TRACK ADJUSTER | | | | | | | |
| DZW1-UP; WZY1-UP; YZZ1-UP | | | | | | | |
| | 2979191 | | TRK ADJ | | | CTC-SK100162 | 77.16 |
| MODEL 316F L | | | | | | | |
| BOOM | | | | | | | |
| ECZ1-UP; XAD1-UP; YDL1-UP | | | | | | | |
| | 3852913 | | P-UB-14 | 80 mm | 110 mm | CTC-3852908 | 227.39 |
| | 3852913 | | Bushing | 80 mm | | CTC-3852900 | 39.67 |
| BOOM VAR ADJ | | | | | | | |
| ECZ1-UP | | | | | | | |
| | 1847660 | | P-UB-10 | 85 mm | 140 mm | CTC-3808347 | 255.98 |
| | 1847660 | | Bushing | 85 mm | | CTC-1140756 | 47.03 |
| BUCKET | | | | | | | |
| ECZ1-UP; XAD1-UP; YDL1-UP | | | | | | | |
| | 3678623 | | P-UB-10 | 80 mm | 110 mm | CTC-3604582 | 165.13 |
| | 3678623 | | Bushing | 80 mm | | CTC-1140755 | 43.12 |
| | 3852917 | | P-UB-14 | 80 mm | 110 mm | CTC-3852946 | 179.26 |
| | 3852917 | | Bushing | 80 mm | | CTC-3852900 | 39.67 |
| BUCKET LH | | | | | | | |
| ECZ1-UP; YDL1-UP | | | | | | | |
| | 4699342 | Head 3234218 | I-U-10 | 50 mm | 80 mm | CTC-3240356 | 112.03 |
| | 4699342 | Head 4914780 | P-U-10 | 50 mm | 80 mm | CTC-5016702 | 104.94 |
| BUCKET RH | | | | | | | |
| ECZ1-UP; YDL1-UP | | | | | | | |
| | 4699353 | Head 3234218 | I-U-10 | 50 mm | 80 mm | CTC-3240356 | 112.03 |
| | 4699353 | Head 4914780 | P-U-10 | 50 mm | 80 mm | CTC-5016702 | 104.94 |
| COUPLER | | | | | | | |
| ECZ1-UP | | | | | | | |
| | 1690329 | | I-U-5 | 40 mm | 60 mm | CTC-2027897 | 56.71 |
| YDL1-UP | | | | | | | |
| | 2569795 | | I-U-10 | 50 mm | 70 mm | CTC-1728487 | 74.76 |
| | 3052017 | | P-U-10,12 | 1-3/4 | 3 | CTC-3465609 | 53.57 |
| STICK | | | | | | | |
| ECZ1-UP; XAD1-UP; YDL1-UP | | | | | | | |
| | 3852915 | | P-UB-14 | 85 mm | 120 mm | CTC-3852942 | 207.86 |
| | 3852915 | | Bushing | 85 mm | | CTC-3852934 | 44.04 |
| | 5397995 | | P-UB-14 | 85 mm | 120 mm | CTC-3852942 | 207.86 |
| | 5397995 | | Bushing | 85 mm | | CTC-3852934 | 44.04 |
| TRACK ADJUSTER | | | | | | | |
| ECZ1-20000; XAD1-20000; YDL1-20000 | | | | | | | |
| | 2979191 | | TRK ADJ | | | CTC-SK100162 | 77.16 |
| ECZ20001-UP; XAD20001-UP; YDL20001-UP | | | | | | | |
| | 5246326 | | TRK ADJ | | | CTC-SK100162 | 77.16 |
| MODEL 317 | | | | | | | |
| BOOM | | | | | | | |
| | 1057336 | | P-UB-10 | 80 mm | 110 mm | CTC-1057359 | 336.25 |
| | 1276046 | | P-UB-10 | 80 mm | 110 mm | CTC-1057359 | 336.25 |
| BUCKET | | | | | | | |
| | 1057381 | | P-UB-10 | 70 mm | 100 mm | CTC-1057397 | 278.11 |
| | 1076640 | | P-UB-10 | 80 mm | 110 mm | CTC-1057359 | 336.25 |
| | 1276056 | | P-UB-10 | 70 mm | 100 mm | CTC-1057397 | 278.11 |
| | 1276060 | | P-UB-10 | 80 mm | 110 mm | CTC-1057359 | 336.25 |
| STICK | | | | | | | |
| | 1057362 | | P-UB-10 | 85 mm | 120 mm | CTC-1057379 | 355.49 |
| | 1276051 | | P-UB-10 | 85 mm | 120 mm | CTC-1057379 | 355.49 |
| | 1624672 | | P-UB-10 | 85 mm | 120 mm | CTC-1624676 | 142.62 |

REPLACEMENT KITS FOR CATERPILLAR® EQUIPMENT

| Excavators | | | | | | | |
|--------------------------------|------------------------------|--------------------------------|---------|-------|--------|-------------|--------|
| APPLICATION | CYL # | Misc-Parts, Instructions, etc. | CODE | ROD | BORE | KIT # | |
| MODEL 317B, 317BL | | | | | | | |
| BOOM | | | | | | | |
| | 1336630 | Piston - C 1276047 | P-UB-10 | 80 mm | 110 mm | CTC-1336646 | 339.87 |
| | 1336630 | | Bushing | 80 mm | | CTC-1140755 | 43.12 |
| | 1559251 | | P-UB-10 | 80 mm | 110 mm | CTC-1659420 | 190.74 |
| BUCKET | | | | | | | |
| | 1336636 | Piston - C 1336687 | P-UB-10 | 70 mm | 100 mm | CTC-1336691 | 295.06 |
| | 1336636 | | Bushing | 70 mm | | CTC-1140753 | 37.46 |
| | 1559255 | | P-UB-10 | 70 mm | 100 mm | CTC-1709827 | 150.42 |
| | 5SW | | | | | | |
| | 1336639 | | P-UB-10 | 80 mm | 110 mm | CTC-1336646 | 339.87 |
| STICK | | | | | | | |
| | 1336633 | Piston - C 1276052 | P-UB-10 | 85 mm | 120 mm | CTC-1184131 | 342.72 |
| | 1336633 | | Bushing | 85 mm | | CTC-1140756 | 47.03 |
| UNSPECIFIED APPLICATION | | | | | | | |
| | 1588923 | | P-UB-10 | 80 mm | 110 mm | CTC-1659420 | 190.74 |
| MODEL 317N | | | | | | | |
| BOOM | | | | | | | |
| | 1057336 | | P-UB-10 | 80 mm | 110 mm | CTC-1057359 | 336.25 |
| BUCKET | | | | | | | |
| | 1057381 | | P-UB-10 | 70 mm | 100 mm | CTC-1057397 | 278.11 |
| | 1076640 | | P-UB-10 | 80 mm | 110 mm | CTC-1057359 | 336.25 |
| STICK | | | | | | | |
| | 1057362 | | P-UB-10 | 85 mm | 120 mm | CTC-1057379 | 355.49 |
| MODEL 318B, 318BL | | | | | | | |
| BOOM | | | | | | | |
| | 1475755 | | P-UB-10 | 85 mm | 120 mm | CTC-1373763 | 507.19 |
| BUCKET | | | | | | | |
| | 1183967 | | P-UB-10 | 85 mm | 120 mm | CTC-1261947 | 474.74 |
| | 1184134 | | P-UB-10 | 85 mm | 120 mm | CTC-1184131 | 342.72 |
| | 1475763 | | P-UB-10 | 80 mm | 110 mm | CTC-1659420 | 190.74 |
| STICK | | | | | | | |
| | 1475760 | | P-UB-10 | 95 mm | 130 mm | CTC-1659419 | 310.12 |
| MODEL 318C | | | | | | | |
| BOOM | | | | | | | |
| | FAA1-UP; BTG1-UP; DAH1-UP | | | | | | |
| | 1842614 | | P-UB-10 | 95 mm | 160 mm | CTC-2521191 | 267.88 |
| | 1948407 | | P-UB-10 | 85 mm | 120 mm | CTC-1799634 | 191.76 |
| BUCKET | | | | | | | |
| | BTG1-UP; DAH1-UP | | | | | | |
| | 2836132 | | P-UB-10 | 85 mm | 120 mm | CTC-2366368 | 150.28 |
| | BTG475-UP; DAH1136-UP | | | | | | |
| | 2836130 | | P-UB-10 | 80 mm | 110 mm | CTC-1799625 | 345.30 |
| | FAA1-1135; BTG1-474; DAH1-UP | | | | | | |
| | 1948413 | | P-UB-10 | 80 mm | 110 mm | CTC-1799625 | 345.30 |
| | FAA1-UP; BTG1-UP; DAH1-UP | | | | | | |
| | 1589061 | | P-U-10 | 85 mm | 120 mm | CTC-2366389 | 150.28 |
| COUPLER | | | | | | | |
| | FAA1-UP; BTG1-UP; DAH1-UP | | | | | | |
| | 1690329 | | I-U-5 | 40 mm | 60 mm | CTC-2027897 | 56.71 |
| STICK | | | | | | | |
| | FAA1-UP; BTG1-UP; DAH1-UP | | | | | | |
| | 1948410 | | P-UB-10 | 95 mm | 130 mm | CTC-2159984 | 148.92 |
| MODEL 318C L | | | | | | | |
| BOOM | | | | | | | |
| | GPA1-UP; MDY1-UP | | | | | | |
| | 1948416 | | P-UB-10 | 85 mm | 120 mm | CTC-2478998 | 223.35 |

REPLACEMENT KITS FOR CATERPILLAR® EQUIPMENT

| Excavators | | | | | | | |
|--------------------------------|---------|--------------------------------|---------|--------|--------|-------------|--------|
| APPLICATION | CYL # | Misc-Parts, Instructions, etc. | CODE | ROD | BORE | KIT # | |
| MODEL 318C L | | | | | | | |
| BUCKET | | | | | | | |
| | | GPA1-UP; MDY1-UP | | | | | |
| | 2003220 | | P-UB-10 | 80 mm | 110 mm | CTC-2478995 | 200.58 |
| | 2043689 | | P-UB-10 | 85 mm | 120 mm | CTC-2479001 | 203.28 |
| COUPLER | | | | | | | |
| | | GPA1-UP; MDY1-UP | | | | | |
| | 1728402 | | I-U-10 | 50 mm | 70 mm | CTC-1728487 | 74.76 |
| STICK | | | | | | | |
| | | GPA1-UP; MDY1-UP | | | | | |
| | 1949418 | | P-UB-10 | 95 mm | 130 mm | CTC-2590630 | 230.11 |
| MODEL 318C LN | | | | | | | |
| BOOM | | | | | | | |
| | | GPA1-UP; MDY1-UP | | | | | |
| | 1948416 | | P-UB-10 | 85 mm | 120 mm | CTC-2478998 | 223.35 |
| BUCKET | | | | | | | |
| | | GPA1-UP; MDY1-UP | | | | | |
| | 2003220 | | P-UB-10 | 80 mm | 110 mm | CTC-2478995 | 200.58 |
| | 2043689 | | P-UB-10 | 85 mm | 120 mm | CTC-2479001 | 203.28 |
| COUPLER | | | | | | | |
| | | GPA1-UP; MDY1-UP | | | | | |
| | 1728402 | | I-U-10 | 50 mm | 70 mm | CTC-1728487 | 74.76 |
| STICK | | | | | | | |
| | | GPA1-UP; MDY1-UP | | | | | |
| | 1949418 | | P-UB-10 | 95 mm | 130 mm | CTC-2590630 | 230.11 |
| MODEL 320 | | | | | | | |
| BOOM | | | | | | | |
| | 0875491 | | P-UB-10 | 85 mm | 120 mm | CTC-413665 | 429.34 |
| | 0875496 | | P-UB-10 | 85 mm | 120 mm | CTC-0875394 | 354.94 |
| | 0875496 | | P-UB-10 | 85 mm | 120 mm | CTC-1184131 | 342.72 |
| | 1069596 | | P-UB-10 | 95 mm | 160 mm | CTC-6C6091 | 461.97 |
| BOOM VA | | | | | | | |
| | 6C6085 | | P-UB-10 | 95 mm | 160 mm | CTC-6C6091 | 461.97 |
| BUCKET | | | | | | | |
| | 0874899 | | P-UB-10 | 85 mm | 120 mm | CTC-1186023 | 365.30 |
| | 0875633 | | P-UB-10 | 85 mm | 120 mm | CTC-0875394 | 354.94 |
| | 0875633 | | P-UB-10 | 85 mm | 120 mm | CTC-1184131 | 342.72 |
| | 1185931 | | P-UB-10 | 85 mm | 120 mm | CTC-1186023 | 365.30 |
| | 1251547 | | P-UB-10 | 65 mm | 100 mm | CTC-418914 | 280.34 |
| | 1346987 | | P-UB-10 | 65 mm | 100 mm | CTC-1764935 | 303.50 |
| | 417652 | | P-UB-10 | 65 mm | 100 mm | CTC-417664 | 280.46 |
| | 418840 | | P-UB-10 | 65 mm | 100 mm | CTC-418914 | 280.34 |
| | 717291 | | P-UB-10 | 85 mm | 130 mm | CTC-7Y5145 | 366.57 |
| | 7Y5100 | | P-UB-10 | 85 mm | 130 mm | CTC-7Y5145 | 366.57 |
| STICK | | | | | | | |
| | 0875422 | | P-UB-10 | 100 mm | 140 mm | CTC-0875387 | 468.63 |
| | 0875493 | | P-UB-10 | 100 mm | 140 mm | CTC-1270630 | 443.61 |
| | 0876638 | | P-UB-10 | 100 mm | 140 mm | CTC-0875387 | 468.63 |
| | 7Y4650 | | P-UB-10 | 105 mm | 150 mm | CTC-1163612 | 413.90 |
| UNSPECIFIED APPLICATION | | | | | | | |
| | 0874898 | | P-UB-10 | 100 mm | 140 mm | CTC-1597774 | 207.30 |

CATERPILLAR®

REPLACEMENT KITS FOR CATERPILLAR® EQUIPMENT

| Excavators | | | | | | | |
|--------------------------------|--|--------------------------------|---------|--------|--------|-------------|--------|
| APPLICATION | CYL # | Misc-Parts, Instructions, etc. | CODE | ROD | BORE | KIT # | |
| MODEL 320B, 320BL | | | | | | | |
| BOOM | | | | | | | |
| | 1183953 | | P-UB-10 | 100 mm | 140 mm | CTC-1373764 | 442.66 |
| | 1183955 | | P-UB-10 | 100 mm | 140 mm | CTC-1373764 | 442.66 |
| | 1184023 | | P-UB-10 | 85 mm | 120 mm | CTC-1373763 | 507.19 |
| | 1184128 | | P-UB-10 | 85 mm | 120 mm | CTC-1184131 | 342.72 |
| | 1195425 | | P-UB-10 | 75 mm | 110 mm | CTC-1195435 | 405.24 |
| | 1232081 | | P-UB-10 | 105 mm | 150 mm | CTC-1373767 | 574.46 |
| | 1336770 | | P-UB-10 | 100 mm | 140 mm | CTC-1336823 | 440.47 |
| | 1589058 | | P-UB-10 | 85 mm | 120 mm | CTC-1589092 | 250.14 |
| | 1842614 | | P-UB-10 | 95 mm | 160 mm | CTC-1884457 | 300.84 |
| BUCKET | | | | | | | |
| | 1183967 | | P-UB-10 | 85 mm | 120 mm | CTC-1261947 | 474.74 |
| | 1184134 | | P-UB-10 | 85 mm | 120 mm | CTC-1184131 | 342.72 |
| | 1195447 | | P-UB-10 | 65 mm | 100 mm | CTC-1195457 | 288.58 |
| | 1232044 | | P-UB-10 | 90 mm | 130 mm | CTC-1764914 | 194.61 |
| | 1232084 | | P-UB-10 | 90 mm | 130 mm | CTC-1373768 | 604.17 |
| | 1251547 | | P-UB-10 | 65 mm | 100 mm | CTC-418914 | 280.34 |
| | 1346987 | | P-UB-10 | 65 mm | 100 mm | CTC-1764935 | 303.50 |
| | 1475780 | | P-UB-10 | 85 mm | 125 mm | CTC-1475781 | 394.50 |
| | 1540756 | | P-UB-10 | 90 mm | 130 mm | CTC-1540757 | 615.01 |
| | 1589061 | | P-UB-10 | 85 mm | 120 mm | CTC-1589092 | 250.14 |
| | 1799764 | | P-UB-10 | 90 mm | 130 mm | CTC-1799772 | 283.58 |
| | 417652 | | P-UB-10 | 65 mm | 100 mm | CTC-417664 | 280.46 |
| | 418840 | | P-UB-10 | 65 mm | 100 mm | CTC-418914 | 280.34 |
| STICK | | | | | | | |
| | 1184000 | | P-UB-10 | 105 mm | 150 mm | CTC-1680758 | 465.24 |
| | 1232081 | | P-UB-10 | 105 mm | 150 mm | CTC-1373767 | 574.46 |
| | 1412609 | | P-UB-10 | 95 mm | 160 mm | CTC-1855574 | 259.29 |
| | 1589059 | | P-UB-10 | 100 mm | 140 mm | CTC-1589093 | 168.04 |
| | 1589060 | | P-UB-10 | 100 mm | 140 mm | CTC-1589093 | 168.04 |
| TILT CAB | | | | | | | |
| | N/A | | P-UB-10 | 2-1/4 | 5 | CTC-9X6392 | 219.47 |
| UNSPECIFIED APPLICATION | | | | | | | |
| | 1336771 | | P-UB-10 | 105 mm | 150 mm | CTC-1373767 | 574.46 |
| | 1336812 | | P-UB-10 | 90 mm | 130 mm | CTC-1373768 | 604.17 |
| | 1336866 | | P-UB-10 | 100 mm | 140 mm | CTC-1373661 | 204.56 |
| | 1336867 | | P-UB-10 | 100 mm | 140 mm | CTC-1373661 | 204.56 |
| | 1540727 | | P-UB-10 | 85 mm | 120 mm | CTC-1540728 | 668.97 |
| | 1540743 | | P-UB-10 | 85 mm | 120 mm | CTC-1540744 | 606.55 |
| | 1540772 | | P-UB-10 | 90 mm | 130 mm | CTC-1540773 | 614.58 |
| MODEL 320C | | | | | | | |
| BOOM | | | | | | | |
| | AMC1-UP; ANB1-UP; BBC1-UP; BDC1-UP; BEF1-UP; BER1-UP; BPR1-UP; BRXI-UP | | | | | | |
| | 1588991 | | P-UB-10 | 85 mm | 120 mm | CTC-1373763 | 507.19 |
| | 1588991 | | Bushing | 85 mm | | CTC-0964402 | 44.04 |
| | AMC1-UP; ANB1-UP; BDC1-UP; BER1-UP; BPR1-UP; BRXI-UP; GNG1-UP; HKT1-UP; MAB1-UP; PAB1-UP; RAW1-UP; SBN1-UP | | | | | | |
| | 2043614 | | P-UB-10 | 85 mm | 120 mm | CTC-2478998 | 223.35 |
| | 2043614 | | Bushing | 85 mm | | CTC-0964402 | 44.04 |
| | AMC1-UP; ANB1-UP; GHA1-UP; GNG1-UP; HBC1-UP; HKT1-UP; MAB1-UP; PAB1-UP | | | | | | |
| | 1850340 | | P-UB-10 | 85 mm | 120 mm | CTC-2478996 | 223.35 |
| | 1850340 | | Bushing | 85 mm | | CTC-0964402 | 44.04 |
| | AMC1-UP; ANB1-UP; MAB1-UP; PAB1-UP | | | | | | |
| | 2043616 | | P-UB-10 | 100 mm | 140 mm | CTC-2590633 | 211.41 |
| | 2043616 | | Bushing | 100 mm | | CTC-0965625 | 65.58 |
| | 2590702 | | P-UB-10 | 100 mm | 140 mm | CTC-2590699 | 211.41 |
| | 2590702 | | Bushing | 100 mm | | CTC-0965625 | 65.58 |

REPLACEMENT KITS FOR CATERPILLAR® EQUIPMENT

| Excavators | | | | | | | |
|--|-------|--------------------------------|---------|--------|--------|-------------|--------|
| APPLICATION | CYL # | Misc-Parts, Instructions, etc. | CODE | ROD | BORE | KIT # | |
| MODEL 320C | | | | | | | |
| BOOM | | | | | | | |
| AXK1-UP | | | | | | | |
| 1842614 | | | P-UB-10 | 95 mm | 160 mm | CTC-2521191 | 267.88 |
| 1842614 | | | Bushing | 95 mm | | CTC-6C6093 | 60.58 |
| AXK1-UP; BBE1-UP; BBL1-UP; BCN1-UP; BDC1-UP; BEA1-UP; BER1-UP; DBG1-UP; GLA1-UP; JTG1-UP | | | | | | | |
| 1589058 | | | P-UB-10 | 85 mm | 120 mm | CTC-2366368 | 150.28 |
| 1589058 | | | Bushing | 85 mm | | CTC-1140756 | 47.03 |
| BBC1-UP; BCB1-UP; BEF1-UP | | | | | | | |
| 2043614 | | | P-UB-10 | 85 mm | 120 mm | CTC-2043625 | 326.75 |
| 2043614 | | | Bushing | 85 mm | | CTC-0964402 | 44.04 |
| BBE1-UP; BBL1-UP; BCN1-UP; BEA1-UP; DBG1-UP; GLA1-UP; JTG1-UP | | | | | | | |
| 1842614 | | | P-UB-10 | 95 mm | 160 mm | CTC-2521191 | 267.88 |
| 1842614 | | | Bushing | 95 mm | | CTC-6C6093 | 60.58 |
| BDC1-UP; BER1-UP | | | | | | | |
| 1232081 | | | P-UB-10 | 105 mm | 150 mm | CTC-1373767 | 574.46 |
| 1232081 | | | Bushing | 105 mm | | CTC-0995572 | 56.41 |
| BDC1-UP; BER1-UP; RAW1-UP; SBN1-UP | | | | | | | |
| 2043616 | | | P-UB-10 | 100 mm | 140 mm | CTC-2043626 | 259.58 |
| 2043616 | | | Bushing | 100 mm | | CTC-0965625 | 65.58 |
| MAB1-UP; PAB1-UP | | | | | | | |
| 2742510 | | | P-UB-10 | 85 mm | 120 mm | CTC-2742511 | 161.43 |
| 2742510 | | | Bushing | 85 mm | | CTC-1140756 | 47.03 |
| RAW1-UP; SBN1-UP | | | | | | | |
| 1589058 | | | P-UB-10 | 85 mm | 120 mm | CTC-1589092 | 250.14 |
| 1589058 | | | Bushing | 85 mm | | CTC-1140756 | 47.03 |
| BUCKET | | | | | | | |
| ALF1-UP; BCB1-UP; BDC1-UP; BER1-UP | | | | | | | |
| 1346987 | | | P-UB-10 | 65 mm | 100 mm | CTC-1764935 | 303.50 |
| 1346987 | | | Bushing | 65 mm | | CTC-1140754 | 32.58 |
| AMC1-UP; ANB1-UP | | | | | | | |
| 1588995 | | | P-UB-10 | 100 mm | 140 mm | CTC-1373764 | 442.66 |
| 1588995 | | | Bushing | 100 mm | | CTC-0965625 | 65.58 |
| 2043618 | | | P-UB-10 | 85 mm | 125 mm | CTC-2479005 | 206.41 |
| 2043618 | | | Bushing | 85 mm | | CTC-0964402 | 44.04 |
| 2836132 | | | P-UB-10 | 85 mm | 120 mm | CTC-2366368 | 150.28 |
| 2836132 | | | Bushing | 85 mm | | CTC-1140756 | 47.03 |
| AMC1-UP; ANB1-UP; AXK1-UP; BBE1-UP; BBL1-UP; BCN1-UP; BEA1-UP; DBG1-UP; GLA1-UP; JTG1-UP | | | | | | | |
| 1589061 | | | P-U-10 | 85 mm | 120 mm | CTC-2366389 | 150.28 |
| 1589061 | | | Bushing | 85 mm | | CTC-1140756 | 47.03 |
| AMC1-UP; ANB1-UP; BBC1-UP; BCB1-UP; BEF1-UP; BPR1-UP; BRXI-UP; RAW1-UP; SBN1-UP | | | | | | | |
| 2043617 | | | P-UB-10 | 85 mm | 120 mm | CTC-2043627 | 191.82 |
| 2043617 | | | Bushing | 85 mm | | CTC-0964402 | 44.04 |
| AMC1-UP; ANB1-UP; BBC1-UP; BEF1-UP | | | | | | | |
| 1589088 | | | P-UB-10 | 85 mm | 125 mm | CTC-1850223 | 227.29 |
| 1589088 | | | Bushing | 85 mm | | CTC-0964402 | 44.04 |
| AMC1-UP; ANB1-UP; BPR1-UP; BRXI-UP; GNG1-UP; HKT1-UP; MAB1-UP; PAB1-UP | | | | | | | |
| 2043689 | | | P-UB-10 | 85 mm | 120 mm | CTC-2479001 | 203.28 |
| 2043689 | | | Bushing | 85 mm | | CTC-0964402 | 44.04 |
| AMC1-UP; ANB1-UP; GHA1-UP; GNG1-UP; HBC1-UP; HKT1-UP; MAB1-UP; PAB1-UP | | | | | | | |
| 1799793 | | | P-UB-10 | 90 mm | 130 mm | CTC-2590626 | 192.43 |
| 1799793 | | | Bushing | 90 mm | | CTC-1052575 | 42.49 |
| 2043696 | | | P-UB-10 | 85 mm | 120 mm | CTC-2479000 | 203.28 |
| 2043696 | | | Bushing | 85 mm | | CTC-0964402 | 44.04 |
| AMC1-UP; ANB1-UP; GHA1-UP; HBC1-UP | | | | | | | |
| 1850346 | | | P-UB-10 | 85 mm | 120 mm | CTC-1540744 | 606.55 |
| 1850346 | | | Bushing | 85 mm | | CTC-0964402 | 44.04 |

REPLACEMENT KITS FOR CATERPILLAR® EQUIPMENT

| Excavators | | | | | | | |
|--|-------|--------------------------------|---------|--------|--------|-------------|--------|
| APPLICATION | CYL # | Misc-Parts, Instructions, etc. | CODE | ROD | BORE | KIT # | |
| MODEL 320C | | | | | | | |
| BUCKET | | | | | | | |
| AMC1-UP; ANB1-UP; MAB1-UP; PAB1-UP | | | | | | | |
| 2096011 | | | P-UB-10 | 90 mm | 130 mm | CTC-2590627 | 192.43 |
| 2096011 | | | Bushing | 90 mm | | CTC-1052575 | 42.49 |
| 2590694 | | | P-UB-10 | 85 mm | 120 mm | CTC-2590695 | 223.35 |
| 2590694 | | | Bushing | 85 mm | | CTC-0964402 | 44.04 |
| 2590698 | | | P-UB-10 | 100 mm | 140 mm | CTC-2590699 | 211.41 |
| 2590698 | | | Bushing | 100 mm | | CTC-0965625 | 65.58 |
| 2590705 | | | P-UB-10 | 85 mm | 120 mm | CTC-2590706 | 203.28 |
| 2590705 | | | Bushing | 85 mm | | CTC-0964402 | 44.04 |
| 2590732 | | | P-UB-10 | 90 mm | 130 mm | CTC-2590719 | 194.75 |
| 2590732 | | | Bushing | 90 mm | | CTC-1052575 | 42.49 |
| AMC1-UP; ANB1-UP; RAW1-UP; SBN1-UP | | | | | | | |
| 1588999 | | | P-UB-10 | 90 mm | 130 mm | CTC-1850196 | 226.51 |
| 1588999 | | | Bushing | 90 mm | | CTC-1052575 | 42.49 |
| AXK1-UP | | | | | | | |
| 1799764 | | | P-UB-10 | 90 mm | 130 mm | CTC-2159986 | 171.53 |
| 1799764 | | | Bushing | 90 mm | | CTC-1140758 | 54.25 |
| BBC1-UP; BCB1-UP; BEF1-UP | | | | | | | |
| 2043618 | | | P-UB-10 | 85 mm | 125 mm | CTC-2043628 | 206.41 |
| 2043618 | | | Bushing | 85 mm | | CTC-0964402 | 44.04 |
| BBE1-UP; BBL1-UP; BCN1-UP; BEA1-UP; DBG1-UP; GLA1-UP; JTG1-UP | | | | | | | |
| 1799764 | | | P-UB-10 | 90 mm | 130 mm | CTC-2159986 | 171.53 |
| 1799764 | | | Bushing | 90 mm | | CTC-1140758 | 54.25 |
| 2836132 | | | P-UB-10 | 85 mm | 120 mm | CTC-2366368 | 150.28 |
| 2836132 | | | Bushing | 85 mm | | CTC-1140756 | 47.03 |
| BCB1-UP | | | | | | | |
| 2043689 | | | P-UB-10 | 85 mm | 120 mm | CTC-2043692 | 203.28 |
| 2043689 | | | Bushing | 85 mm | | CTC-0964402 | 44.04 |
| 2096011 | | | P-UB-10 | 90 mm | 130 mm | CTC-2043630 | 347.18 |
| 2096011 | | | Bushing | 90 mm | | CTC-1052575 | 42.49 |
| BDC1-UP; BER1-UP; RAW1-UP; SBN1-UP | | | | | | | |
| 1589061 | | | P-UB-10 | 85 mm | 120 mm | CTC-1589092 | 250.14 |
| 1589061 | | | Bushing | 85 mm | | CTC-1140756 | 47.03 |
| 1799764 | | | P-UB-10 | 90 mm | 130 mm | CTC-1799772 | 283.58 |
| 1799764 | | | Bushing | 90 mm | | CTC-1140758 | 54.25 |
| BPR1-UP; BRXI-UP | | | | | | | |
| 1588997 | | | P-UB-10 | 85 mm | 120 mm | CTC-1261947 | 474.74 |
| 1588997 | | | Bushing | 85 mm | | CTC-0964402 | 44.04 |
| MAB1-UP; PAB1-UP | | | | | | | |
| 2742521 | | | P-UB-10 | 85 mm | 120 mm | CTC-2742511 | 161.43 |
| 2742521 | | | Bushing | 85 mm | | CTC-1140756 | 47.03 |
| COUPLER | | | | | | | |
| AMC1-UP; ANB1-UP; BDC1-UP; BER1-UP; MAB1-UP; PAB1-UP | | | | | | | |
| 1728402 | | | I-U-10 | 50 mm | 70 mm | CTC-1728487 | 74.76 |
| STICK | | | | | | | |
| AMC1-UP; ANB1-UP; BBC1-UP; BCB1-UP; BEF1-UP; MAB1-UP; PAB1-UP | | | | | | | |
| 2043615 | | | P-UB-10 | 100 mm | 140 mm | CTC-2043626 | 259.58 |
| 2043615 | | | Bushing | 100 mm | | CTC-0965625 | 65.58 |
| AMC1-UP; ANB1-UP; BBC1-UP; BEF1-UP; BPR1-UP; BRXI-UP; RAW1-UP; SBN1-UP | | | | | | | |
| 1588993 | | | P-UB-10 | 100 mm | 140 mm | CTC-1373764 | 442.66 |
| 1588993 | | | Bushing | 100 mm | | CTC-0965625 | 65.58 |
| AMC1-UP; ANB1-UP; BPR1-UP; BRXI-UP; GNG1-UP; HKT1-UP; MAB1-UP; PAB1-UP | | | | | | | |
| 2144500 | | | P-UB-10 | 100 mm | 140 mm | CTC-2590635 | 211.41 |
| 2144500 | | | Bushing | 100 mm | | CTC-0965625 | 65.58 |

REPLACEMENT KITS FOR CATERPILLAR® EQUIPMENT

| Excavators | | | | | | | |
|---|-------|--------------------------------|---------|--------|--------|--------------|--------|
| APPLICATION | CYL # | Misc-Parts, Instructions, etc. | CODE | ROD | BORE | KIT # | |
| MODEL 320C | | | | | | | |
| STICK | | | | | | | |
| AMC1-UP; ANB1-UP; GHA1-UP; GNG1-UP; HBC1-UP; HKT1-UP; MAB1-UP; PAB1-UP | | | | | | | |
| 1850342 | | | P-UB-10 | 100 mm | 140 mm | CTC-2590631 | 211.41 |
| 1850342 | | | Bushing | 100 mm | | CTC-0965625 | 65.58 |
| 1850344 | | | P-UB-10 | 100 mm | 140 mm | CTC-2590631 | 211.41 |
| 1850344 | | | Bushing | 100 mm | | CTC-0965625 | 65.58 |
| AXK1-UP | | | | | | | |
| 1589059 | | | P-UB-10 | 100 mm | 140 mm | CTC-2159985 | 168.04 |
| 1589059 | | | Bushing | 100 mm | | CTC-1140757 | 66.11 |
| AXK1-UP; BBE1-UP; BBL1-UP; BCN1-UP; BEA1-UP; DBG1-UP; GLA1-UP; JTG1-UP | | | | | | | |
| 1589060 | | | P-UB-10 | 100 mm | 140 mm | CTC-2159985 | 168.04 |
| 1589060 | | | Bushing | 100 mm | | CTC-1140757 | 66.11 |
| BBC1-UP; BCB1-UP; BEF1-UP | | | | | | | |
| 2144500 | | | P-UB-10 | 100 mm | 140 mm | CTC-2144502 | 211.41 |
| 2144500 | | | Bushing | 100 mm | | CTC-0965625 | 65.58 |
| BBE1-UP; BBL1-UP; BCN1-UP; BEA1-UP; DBG1-UP; GLA1-UP; JTG1-UP | | | | | | | |
| 1589059 | | | P-UB-10 | 100 mm | 140 mm | CTC-2095874 | 348.43 |
| 1589059 | | | Bushing | 100 mm | | CTC-1140757 | 66.11 |
| BCB1-UP | | | | | | | |
| 1232081 | | | P-UB-10 | 105 mm | 150 mm | CTC-1373767 | 574.46 |
| 1232081 | | | Bushing | 105 mm | | CTC-0995572 | 56.41 |
| 2043616 | | | P-UB-10 | 100 mm | 140 mm | CTC-2043616 | 211.41 |
| 2043616 | | | Bushing | 100 mm | | CTC-0965625 | 65.58 |
| BDC1-UP; BER1-UP; RAW1-UP; SBN1-UP | | | | | | | |
| 1589059 | | | P-UB-10 | 100 mm | 140 mm | CTC-2159985 | 168.04 |
| 1589059 | | | Bushing | 100 mm | | CTC-1140757 | 66.11 |
| 1589060 | | | P-UB-10 | 100 mm | 140 mm | CTC-2095874 | 348.43 |
| 1589060 | | | Bushing | 100 mm | | CTC-1140757 | 66.11 |
| BPR1-UP; BRXI-UP; GNG1-UP; HKT1-UP | | | | | | | |
| 2043615 | | | P-UB-10 | 100 mm | 140 mm | CTC-2590633 | 211.41 |
| 2043615 | | | Bushing | 100 mm | | CTC-0965625 | 65.58 |
| MAB1-UP; PAB1-UP | | | | | | | |
| 2742514 | | | P-UB-10 | 100 mm | 140 mm | CTC-2742515 | 232.31 |
| 2742514 | | | Bushing | 100 mm | | CTC-1140757 | 66.11 |
| RAW1-UP; SBN1-UP | | | | | | | |
| 2043615 | | | P-UB-10 | 100 mm | 140 mm | CTC-1373764 | 442.66 |
| 2043615 | | | Bushing | 100 mm | | CTC-0965625 | 65.58 |
| UNSPECIFIED APPLICATION | | | | | | | |
| AKH1-UP; ALF1-UP | | | | | | | |
| 1980648 | | | I-U-10 | 45 mm | 60 mm | CTC-1980648K | 64.22 |
| MODEL 320C L | | | | | | | |
| BOOM | | | | | | | |
| AMC1-UP; ANB1-UP; BBC1-UP; BDC1-UP; BEF1-UP; BER1-UP; BPR1-UP; BRXI-UP | | | | | | | |
| 1588991 | | | P-UB-10 | 85 mm | 120 mm | CTC-1373763 | 507.19 |
| 1588991 | | | Bushing | 85 mm | | CTC-0964402 | 44.04 |
| AMC1-UP; ANB1-UP; BDC1-UP; BER1-UP; BPR1-UP; BRXI-UP; EAG1-UP; GNG1-UP; HKT1-UP; MAB1-UP; PAB1-UP; RAW1-UP; SBN1-UP | | | | | | | |
| 2043614 | | | P-UB-10 | 85 mm | 120 mm | CTC-2478998 | 223.35 |
| 2043614 | | | Bushing | 85 mm | | CTC-0964402 | 44.04 |
| AMC1-UP; ANB1-UP; GHA1-UP; GNG1-UP; HBC1-UP; HKT1-UP; MAB1-UP; PAB1-UP | | | | | | | |
| 1850340 | | | P-UB-10 | 85 mm | 120 mm | CTC-2478996 | 223.35 |
| 1850340 | | | Bushing | 85 mm | | CTC-0964402 | 44.04 |
| AMC1-UP; ANB1-UP; MAB1-UP; PAB1-UP | | | | | | | |
| 2043616 | | | P-UB-10 | 100 mm | 140 mm | CTC-2590633 | 211.41 |
| 2043616 | | | Bushing | 100 mm | | CTC-0965625 | 65.58 |
| 2590702 | | | P-UB-10 | 100 mm | 140 mm | CTC-2590699 | 211.41 |
| 2590702 | | | Bushing | 100 mm | | CTC-0965625 | 65.58 |

REPLACEMENT KITS FOR CATERPILLAR® EQUIPMENT

| Excavators | | | | | | | |
|--|-------|--------------------------------|---------|--------|--------|-------------|---------|
| APPLICATION | CYL # | Misc-Parts, Instructions, etc. | CODE | ROD | BORE | KIT # | List \$ |
| MODEL 320C L | | | | | | | |
| BOOM | | | | | | | |
| AXK1-UP | | | | | | | |
| 1842614 | | | P-UB-10 | 95 mm | 160 mm | CTC-2521191 | 267.88 |
| 1842614 | | | Bushing | 95 mm | | CTC-6C6093 | 60.58 |
| AXK1-UP; BBE1-UP; BBL1-UP; BCN1-UP; BDC1-UP; BEA1-UP; BER1-UP; DBG1-UP; GLA1-UP; JTG1-UP | | | | | | | |
| 1589058 | | | P-UB-10 | 85 mm | 120 mm | CTC-2366368 | 150.28 |
| 1589058 | | | Bushing | 85 mm | | CTC-1140756 | 47.03 |
| BBC1-UP; BCB1-UP; BEF1-UP | | | | | | | |
| 2043614 | | | P-UB-10 | 85 mm | 120 mm | CTC-2043625 | 326.75 |
| 2043614 | | | Bushing | 85 mm | | CTC-0964402 | 44.04 |
| BBE1-UP; BBL1-UP; BCN1-UP; BEA1-UP; DBG1-UP; GLA1-UP; JTG1-UP | | | | | | | |
| 1842614 | | | P-UB-10 | 95 mm | 160 mm | CTC-2521191 | 267.88 |
| 1842614 | | | Bushing | 95 mm | | CTC-6C6093 | 60.58 |
| BDC1-UP; BER1-UP | | | | | | | |
| 1232081 | | | P-UB-10 | 105 mm | 150 mm | CTC-1373767 | 574.46 |
| 1232081 | | | Bushing | 105 mm | | CTC-0995572 | 56.41 |
| BDC1-UP; BER1-UP; RAW1-UP; SBN1-UP | | | | | | | |
| 2043616 | | | P-UB-10 | 100 mm | 140 mm | CTC-2043626 | 259.58 |
| 2043616 | | | Bushing | 100 mm | | CTC-0965625 | 65.58 |
| MAB1-UP; PAB1-UP | | | | | | | |
| 2742510 | | | P-UB-10 | 85 mm | 120 mm | CTC-2742511 | 161.43 |
| 2742510 | | | Bushing | 85 mm | | CTC-1140756 | 47.03 |
| RAW1-UP; SBN1-UP | | | | | | | |
| 1589058 | | | P-UB-10 | 85 mm | 120 mm | CTC-1589092 | 250.14 |
| 1589058 | | | Bushing | 85 mm | | CTC-1140756 | 47.03 |
| BUCKET | | | | | | | |
| ALF1-UP; BCB1-UP; BDC1-UP; BER1-UP | | | | | | | |
| 1346987 | | | P-UB-10 | 65 mm | 100 mm | CTC-1764935 | 303.50 |
| 1346987 | | | Bushing | 65 mm | | CTC-1140754 | 32.58 |
| AMC1-UP; ANB1-UP | | | | | | | |
| 1588995 | | | P-UB-10 | 100 mm | 140 mm | CTC-1373764 | 442.66 |
| 1588995 | | | Bushing | 100 mm | | CTC-0965625 | 65.58 |
| 2043618 | | | P-UB-10 | 85 mm | 125 mm | CTC-2479005 | 206.41 |
| 2043618 | | | Bushing | 85 mm | | CTC-0964402 | 44.04 |
| 2590705 | | | P-UB-10 | 85 mm | 120 mm | CTC-2590706 | 203.28 |
| 2590705 | | | Bushing | 85 mm | | CTC-0964402 | 44.04 |
| 2836132 | | | P-UB-10 | 85 mm | 120 mm | CTC-2366368 | 150.28 |
| 2836132 | | | Bushing | 85 mm | | CTC-1140756 | 47.03 |
| AMC1-UP; ANB1-UP; AXK1-UP; BBE1-UP; BBL1-UP; BCN1-UP; BEA1-UP; DBG1-UP; GLA1-UP; JTG1-UP | | | | | | | |
| 1589061 | | | P-U-10 | 85 mm | 120 mm | CTC-2366389 | 150.28 |
| 1589061 | | | Bushing | 85 mm | | CTC-1140756 | 47.03 |
| AMC1-UP; ANB1-UP; BBC1-UP; BEF1-UP | | | | | | | |
| 1589088 | | | P-UB-10 | 85 mm | 125 mm | CTC-1850223 | 227.29 |
| 1589088 | | | Bushing | 85 mm | | CTC-0964402 | 44.04 |
| AMC1-UP; ANB1-UP; BCB1-UP; BPR1-UP; BRXI-UP; RAW1-UP; SBN1-UP | | | | | | | |
| 2043617 | | | P-UB-10 | 85 mm | 120 mm | CTC-2043627 | 191.82 |
| 2043617 | | | Bushing | 85 mm | | CTC-0964402 | 44.04 |
| AMC1-UP; ANB1-UP; BPR1-UP; BRXI-UP; EAG1-UP; GNG1-UP; HKT1-UP; MAB1-UP; PAB1-UP | | | | | | | |
| 2043689 | | | P-UB-10 | 85 mm | 120 mm | CTC-2479001 | 203.28 |
| 2043689 | | | Bushing | 85 mm | | CTC-0964402 | 44.04 |
| AMC1-UP; ANB1-UP; GHA1-UP; GNG1-UP; HBC1-UP; HKT1-UP; MAB1-UP; PAB1-UP | | | | | | | |
| 1799793 | | | P-UB-10 | 90 mm | 130 mm | CTC-2590626 | 192.43 |
| 1799793 | | | Bushing | 90 mm | | CTC-1052575 | 42.49 |
| 2043696 | | | P-UB-10 | 85 mm | 120 mm | CTC-2479000 | 203.28 |
| 2043696 | | | Bushing | 85 mm | | CTC-0964402 | 44.04 |

REPLACEMENT KITS FOR CATERPILLAR® EQUIPMENT

| Excavators | | | | | | | |
|---|-------|--------------------------------|---------|--------|--------|-------------|--------|
| APPLICATION | CYL # | Misc-Parts, Instructions, etc. | CODE | ROD | BORE | KIT # | |
| MODEL 320C L | | | | | | | |
| BUCKET | | | | | | | |
| AMC1-UP; ANB1-UP; GHA1-UP; HBC1-UP | | | | | | | |
| 1850346 | | | P-UB-10 | 85 mm | 120 mm | CTC-1540744 | 606.55 |
| 1850346 | | | Bushing | 85 mm | | CTC-0964402 | 44.04 |
| AMC1-UP; ANB1-UP; MAB1-UP; PAB1-UP | | | | | | | |
| 2096011 | | | P-UB-10 | 90 mm | 130 mm | CTC-2590627 | 192.43 |
| 2096011 | | | Bushing | 90 mm | | CTC-1052575 | 42.49 |
| 2590694 | | | P-UB-10 | 85 mm | 120 mm | CTC-2590695 | 223.35 |
| 2590694 | | | Bushing | 85 mm | | CTC-0964402 | 44.04 |
| 2590698 | | | P-UB-10 | 100 mm | 140 mm | CTC-2590699 | 211.41 |
| 2590698 | | | Bushing | 100 mm | | CTC-0965625 | 65.58 |
| 2590732 | | | P-UB-10 | 90 mm | 130 mm | CTC-2590719 | 194.75 |
| 2590732 | | | Bushing | 90 mm | | CTC-1052575 | 42.49 |
| AMC1-UP; ANB1-UP; RAW1-UP; SBN1-UP | | | | | | | |
| 1588999 | | | P-UB-10 | 90 mm | 130 mm | CTC-1850196 | 226.51 |
| 1588999 | | | Bushing | 90 mm | | CTC-1052575 | 42.49 |
| AXK1-UP | | | | | | | |
| 1799764 | | | P-UB-10 | 90 mm | 130 mm | CTC-2159986 | 171.53 |
| 1799764 | | | Bushing | 90 mm | | CTC-1140758 | 54.25 |
| BBC1-UP; BCB1-UP; BEF1-UP | | | | | | | |
| 2043618 | | | P-UB-10 | 85 mm | 125 mm | CTC-2043628 | 206.41 |
| 2043618 | | | Bushing | 85 mm | | CTC-0964402 | 44.04 |
| BBC1-UP; BEF1-UP | | | | | | | |
| 2043617 | | | P-UB-10 | 85 mm | 120 mm | CTC-2043627 | 191.82 |
| 2043617 | | | Bushing | 85 mm | | CTC-0964402 | 44.04 |
| BBE1-UP; BBL1-UP; BCN1-UP; BEA1-UP; DBG1-UP; GLA1-UP; JTG1-UP | | | | | | | |
| 1799764 | | | P-UB-10 | 90 mm | 130 mm | CTC-2159986 | 171.53 |
| 1799764 | | | Bushing | 90 mm | | CTC-1140758 | 54.25 |
| 2836132 | | | P-UB-10 | 85 mm | 120 mm | CTC-2366368 | 150.28 |
| 2836132 | | | Bushing | 85 mm | | CTC-1140756 | 47.03 |
| BCB1-UP | | | | | | | |
| 2043689 | | | P-UB-10 | 85 mm | 120 mm | CTC-2043692 | 203.28 |
| 2043689 | | | Bushing | 85 mm | | CTC-0964402 | 44.04 |
| 2096011 | | | P-UB-10 | 90 mm | 130 mm | CTC-2043630 | 347.18 |
| 2096011 | | | Bushing | 90 mm | | CTC-1052575 | 42.49 |
| BDC1-UP; BER1-UP; RAW1-UP; SBN1-UP | | | | | | | |
| 1589061 | | | P-UB-10 | 85 mm | 120 mm | CTC-1589092 | 250.14 |
| 1589061 | | | Bushing | 85 mm | | CTC-1140756 | 47.03 |
| 1799764 | | | P-UB-10 | 90 mm | 130 mm | CTC-1799772 | 283.58 |
| 1799764 | | | Bushing | 90 mm | | CTC-1140758 | 54.25 |
| BPR1-UP; BRXI-UP | | | | | | | |
| 1588997 | | | P-UB-10 | 85 mm | 120 mm | CTC-1261947 | 474.74 |
| 1588997 | | | Bushing | 85 mm | | CTC-0964402 | 44.04 |
| MAB1-UP; PAB1-UP | | | | | | | |
| 2590705 | | | P-UB-10 | 85 mm | 120 mm | CTC-2590706 | 203.28 |
| 2590705 | | | Bushing | 85 mm | | CTC-0964402 | 44.04 |
| 2742521 | | | P-UB-10 | 85 mm | 120 mm | CTC-2742511 | 161.43 |
| 2742521 | | | Bushing | 85 mm | | CTC-1140756 | 47.03 |
| COUPLER | | | | | | | |
| AMC1-UP; ANB1-UP; BDC1-UP; BER1-UP; MAB1-UP; PAB1-UP | | | | | | | |
| 1728402 | | | I-U-10 | 50 mm | 70 mm | CTC-1728487 | 74.76 |
| STICK | | | | | | | |
| AMC1-UP; ANB1-UP; BBC1-UP; BCB1-UP; BEF1-UP; MAB1-UP; PAB1-UP | | | | | | | |
| 2043615 | | | P-UB-10 | 100 mm | 140 mm | CTC-2043626 | 259.58 |
| 2043615 | | | Bushing | 100 mm | | CTC-0965625 | 65.58 |

CATERPILLAR®

REPLACEMENT KITS FOR CATERPILLAR® EQUIPMENT

| Excavators | | | | | | | |
|--|-------|--------------------------------|---------|--------|--------|--------------|--------|
| APPLICATION | CYL # | Misc-Parts, Instructions, etc. | CODE | ROD | BORE | KIT # | |
| MODEL 320C L | | | | | | | |
| STICK | | | | | | | |
| AMC1-UP; ANB1-UP; BBC1-UP; BEF1-UP; BPR1-UP; BRXI-UP; RAW1-UP; SBN1-UP | | | | | | | |
| 1588993 | | | P-UB-10 | 100 mm | 140 mm | CTC-1373764 | 442.66 |
| 1588993 | | | Bushing | 100 mm | | CTC-0965625 | 65.58 |
| AMC1-UP; ANB1-UP; BPR1-UP; BRXI-UP; GNG1-UP; HKT1-UP; MAB1-UP; PAB1-UP | | | | | | | |
| 2144500 | | | P-UB-10 | 100 mm | 140 mm | CTC-2590635 | 211.41 |
| 2144500 | | | Bushing | 100 mm | | CTC-0965625 | 65.58 |
| AMC1-UP; ANB1-UP; GHA1-UP; GNG1-UP; HBC1-UP; HKT1-UP; MAB1-UP; PAB1-UP | | | | | | | |
| 1850342 | | | P-UB-10 | 100 mm | 140 mm | CTC-2590631 | 211.41 |
| 1850342 | | | Bushing | 100 mm | | CTC-0965625 | 65.58 |
| 1850344 | | | P-UB-10 | 100 mm | 140 mm | CTC-2590631 | 211.41 |
| 1850344 | | | Bushing | 100 mm | | CTC-0965625 | 65.58 |
| AXK1-UP | | | | | | | |
| 1589059 | | | P-UB-10 | 100 mm | 140 mm | CTC-2159985 | 168.04 |
| 1589059 | | | Bushing | 100 mm | | CTC-1140757 | 66.11 |
| AXK1-UP; BBE1-UP; BBL1-UP; BCN1-UP; BEA1-UP; DBG1-UP; GLA1-UP; JTG1-UP | | | | | | | |
| 1589060 | | | P-UB-10 | 100 mm | 140 mm | CTC-2159985 | 168.04 |
| 1589060 | | | Bushing | 100 mm | | CTC-1140757 | 66.11 |
| BBC1-UP; BCB1-UP; BEF1-UP | | | | | | | |
| 2144500 | | | P-UB-10 | 100 mm | 140 mm | CTC-2144502 | 211.41 |
| 2144500 | | | Bushing | 100 mm | | CTC-0965625 | 65.58 |
| BBE1-UP; BBL1-UP; BCN1-UP; BEA1-UP; DBG1-UP; GLA1-UP; JTG1-UP | | | | | | | |
| 1589059 | | | P-UB-10 | 100 mm | 140 mm | CTC-2095874 | 348.43 |
| 1589059 | | | Bushing | 100 mm | | CTC-1140757 | 66.11 |
| BCB1-UP | | | | | | | |
| 1232081 | | | P-UB-10 | 105 mm | 150 mm | CTC-1373767 | 574.46 |
| 1232081 | | | Bushing | 105 mm | | CTC-0995572 | 56.41 |
| 2043616 | | | P-UB-10 | 100 mm | 140 mm | CTC-2043616 | 211.41 |
| 2043616 | | | Bushing | 100 mm | | CTC-0965625 | 65.58 |
| BDC1-UP; BER1-UP; RAW1-UP; SBN1-UP | | | | | | | |
| 1589059 | | | P-UB-10 | 100 mm | 140 mm | CTC-2159985 | 168.04 |
| 1589059 | | | Bushing | 100 mm | | CTC-1140757 | 66.11 |
| 1589060 | | | P-UB-10 | 100 mm | 140 mm | CTC-2095874 | 348.43 |
| 1589060 | | | Bushing | 100 mm | | CTC-1140757 | 66.11 |
| BPR1-UP; BRXI-UP; EAG1-UP; GNG1-UP; HKT1-UP | | | | | | | |
| 2043615 | | | P-UB-10 | 100 mm | 140 mm | CTC-2590633 | 211.41 |
| 2043615 | | | Bushing | 100 mm | | CTC-0965625 | 65.58 |
| EAG1-UP | | | | | | | |
| 2144500 | | | P-UB-10 | 100 mm | 140 mm | CTC-2590635 | 211.41 |
| MAB1-UP; PAB1-UP | | | | | | | |
| 2742514 | | | P-UB-10 | 100 mm | 140 mm | CTC-2742515 | 232.31 |
| 2742514 | | | Bushing | 100 mm | | CTC-1140757 | 66.11 |
| RAW1-UP; SBN1-UP | | | | | | | |
| 2043615 | | | P-UB-10 | 100 mm | 140 mm | CTC-1373764 | 442.66 |
| 2043615 | | | Bushing | 100 mm | | CTC-0965625 | 65.58 |
| UNSPECIFIED APPLICATION | | | | | | | |
| AKH1-UP; ALF1-UP | | | | | | | |
| 1980648 | | | I-U-10 | 45 mm | 60 mm | CTC-1980648K | 64.22 |
| MODEL 320C LN | | | | | | | |
| BOOM | | | | | | | |
| BBE1-UP; BBL1-UP; BCN1-UP; BEA1-UP; DBG1-UP; GLA1-UP; JTG1-UP | | | | | | | |
| 1589058 | | | P-UB-10 | 85 mm | 120 mm | CTC-2366368 | 150.28 |
| 1589058 | | | Bushing | 85 mm | | CTC-1140756 | 47.03 |
| 1842614 | | | P-UB-10 | 95 mm | 160 mm | CTC-2521191 | 267.88 |
| 1842614 | | | Bushing | 95 mm | | CTC-6C6093 | 60.58 |

REPLACEMENT KITS FOR CATERPILLAR® EQUIPMENT

| Excavators | | | | | | | |
|---|-------|--------------------------------|---------|--------|--------|-------------|--------|
| APPLICATION | CYL # | Misc-Parts, Instructions, etc. | CODE | ROD | BORE | KIT # | |
| MODEL 320C LN | | | | | | | |
| BUCKET | | | | | | | |
| BBE1-UP; BBL1-UP; BCN1-UP; BEA1-UP; DBG1-UP; GLA1-UP; JTG1-UP | | | | | | | |
| 1589061 | | | P-U-10 | 85 mm | 120 mm | CTC-2366389 | 150.28 |
| 1589061 | | | Bushing | 85 mm | | CTC-1140756 | 47.03 |
| 1799764 | | | P-UB-10 | 90 mm | 130 mm | CTC-2159986 | 171.53 |
| 1799764 | | | Bushing | 90 mm | | CTC-1140758 | 54.25 |
| 2836132 | | | P-UB-10 | 85 mm | 120 mm | CTC-2366368 | 150.28 |
| 2836132 | | | Bushing | 85 mm | | CTC-1140756 | 47.03 |
| STICK | | | | | | | |
| BBE1-UP; BBL1-UP; BCN1-UP; BEA1-UP; DBG1-UP; GLA1-UP; JTG1-UP | | | | | | | |
| 1589059 | | | P-UB-10 | 100 mm | 140 mm | CTC-2095874 | 348.43 |
| 1589059 | | | Bushing | 100 mm | | CTC-1140757 | 66.11 |
| 1589060 | | | P-UB-10 | 100 mm | 140 mm | CTC-2159985 | 168.04 |
| 1589060 | | | Bushing | 100 mm | | CTC-1140757 | 66.11 |
| MODEL 320C LRR | | | | | | | |
| BOOM | | | | | | | |
| GAD1-UP | | | | | | | |
| 1589058 | | | P-UB-10 | 85 mm | 120 mm | CTC-2366368 | 150.28 |
| 1589058 | | | Bushing | 85 mm | | CTC-1140756 | 47.03 |
| STICK | | | | | | | |
| GAD1-UP | | | | | | | |
| 1589059 | | | P-UB-10 | 100 mm | 140 mm | CTC-2159985 | 168.04 |
| 1589059 | | | Bushing | 100 mm | | CTC-1140757 | 66.11 |
| MODEL 320C LU | | | | | | | |
| BOOM | | | | | | | |
| CLM1-UP; CLZ1-UP | | | | | | | |
| 1588991 | | | P-UB-10 | 85 mm | 120 mm | CTC-1373763 | 507.19 |
| 1588991 | | | Bushing | 85 mm | | CTC-0964402 | 44.04 |
| CLM1-UP; CLZ1-UP; MAC1-UP; PAC1-UP | | | | | | | |
| 1850340 | | | P-UB-10 | 85 mm | 120 mm | CTC-2478996 | 223.35 |
| 1850340 | | | Bushing | 85 mm | | CTC-0964402 | 44.04 |
| 2043614 | | | P-UB-10 | 85 mm | 120 mm | CTC-2478998 | 223.35 |
| 2043614 | | | Bushing | 85 mm | | CTC-0964402 | 44.04 |
| MAC1-UP; PAC1-UP | | | | | | | |
| 2742510 | | | P-UB-10 | 85 mm | 120 mm | CTC-2742511 | 161.43 |
| 2742510 | | | Bushing | 85 mm | | CTC-1140756 | 47.03 |
| BUCKET | | | | | | | |
| CLM1-UP; CLZ1-UP | | | | | | | |
| 1850346 | | | P-UB-10 | 85 mm | 120 mm | CTC-1540744 | 606.55 |
| 1850346 | | | Bushing | 85 mm | | CTC-0964402 | 44.04 |
| 2043617 | | | P-UB-10 | 85 mm | 120 mm | CTC-2043627 | 191.82 |
| 2043617 | | | Bushing | 85 mm | | CTC-0964402 | 44.04 |
| 2043696 | | | P-UB-10 | 85 mm | 120 mm | CTC-2479000 | 203.28 |
| 2043696 | | | Bushing | 85 mm | | CTC-0964402 | 44.04 |
| CLM1-UP; CLZ1-UP; MAC1-UP; PAC1-UP | | | | | | | |
| 2043689 | | | P-UB-10 | 85 mm | 120 mm | CTC-2479001 | 203.28 |
| 2043689 | | | Bushing | 85 mm | | CTC-0964402 | 44.04 |
| MAC1-UP; PAC1-UP | | | | | | | |
| 2590694 | | | P-UB-10 | 85 mm | 120 mm | CTC-2590695 | 223.35 |
| 2590694 | | | Bushing | 85 mm | | CTC-0964402 | 44.04 |
| 2590698 | | | P-UB-10 | 100 mm | 140 mm | CTC-2590699 | 211.41 |
| 2590698 | | | Bushing | 100 mm | | CTC-0965625 | 65.58 |
| 2590705 | | | P-UB-10 | 85 mm | 120 mm | CTC-2590706 | 203.28 |
| 2590705 | | | Bushing | 85 mm | | CTC-0964402 | 44.04 |
| 2742521 | | | P-UB-10 | 85 mm | 120 mm | CTC-2742511 | 161.43 |
| 2742521 | | | Bushing | 85 mm | | CTC-1140756 | 47.03 |

REPLACEMENT KITS FOR CATERPILLAR® EQUIPMENT

| Excavators | | | | | | | |
|--|---------|--------------------------------|---------|--------|--------|-------------|--------|
| APPLICATION | CYL # | Misc-Parts, Instructions, etc. | CODE | ROD | BORE | KIT # | |
| MODEL 320C LU | | | | | | | |
| COUPLER | | | | | | | |
| MAC1-UP; PAC1-UP | | | | | | | |
| | 1728402 | | I-U-10 | 50 mm | 70 mm | CTC-1728487 | 74.76 |
| STICK | | | | | | | |
| CLM1-UP; CLZ1-UP | | | | | | | |
| | 1588993 | | P-UB-10 | 100 mm | 140 mm | CTC-1373764 | 442.66 |
| | 1588993 | | Bushing | 100 mm | | CTC-0965625 | 65.58 |
| CLM1-UP; CLZ1-UP; MAC1-UP; PAC1-UP | | | | | | | |
| | 1850342 | | P-UB-10 | 100 mm | 140 mm | CTC-2590631 | 211.41 |
| | 1850342 | | Bushing | 100 mm | | CTC-0965625 | 65.58 |
| | 2043615 | | P-UB-10 | 100 mm | 140 mm | CTC-2590633 | 211.41 |
| | 2043615 | | Bushing | 100 mm | | CTC-0965625 | 65.58 |
| MAC1-UP; PAC1-UP | | | | | | | |
| | 2742514 | | P-UB-10 | 100 mm | 140 mm | CTC-2742515 | 232.31 |
| | 2742514 | | Bushing | 100 mm | | CTC-1140757 | 66.11 |
| MODEL 320C S | | | | | | | |
| BOOM | | | | | | | |
| BBE1-UP; BBL1-UP; BCN1-UP; BEA1-UP; BMZ1-UP; EGL1-UP | | | | | | | |
| | 1589058 | | P-UB-10 | 85 mm | 120 mm | CTC-2366368 | 150.28 |
| | 1589058 | | Bushing | 85 mm | | CTC-1140756 | 47.03 |
| BBE1-UP; BBL1-UP; BCN1-UP; BEA1-UP; EGL1-UP | | | | | | | |
| | 1842614 | | P-UB-10 | 95 mm | 160 mm | CTC-2521191 | 267.88 |
| | 1842614 | | Bushing | 95 mm | | CTC-6C6093 | 60.58 |
| BMZ1-UP | | | | | | | |
| | 1842614 | | P-UB-10 | 95 mm | 160 mm | CTC-2521191 | 267.88 |
| | 1842614 | | Bushing | 95 mm | | CTC-6C6093 | 60.58 |
| BUCKET | | | | | | | |
| BBE1-UP; BBL1-UP; BCN1-UP; BEA1-UP; BMZ1-UP; EGL1-UP | | | | | | | |
| | 1589061 | | P-U-10 | 85 mm | 120 mm | CTC-2366389 | 150.28 |
| | 1589061 | | Bushing | 85 mm | | CTC-1140756 | 47.03 |
| BBE1-UP; BBL1-UP; BCN1-UP; BEA1-UP; EGL1-UP | | | | | | | |
| | 1799764 | | P-UB-10 | 90 mm | 130 mm | CTC-2159986 | 171.53 |
| | 1799764 | | Bushing | 90 mm | | CTC-1140758 | 54.25 |
| | 2836132 | | P-UB-10 | 85 mm | 120 mm | CTC-2366368 | 150.28 |
| | 2836132 | | Bushing | 85 mm | | CTC-1140756 | 47.03 |
| BMZ1-UP | | | | | | | |
| | 1799764 | | P-UB-10 | 90 mm | 130 mm | CTC-2159986 | 171.53 |
| | 1799764 | | Bushing | 90 mm | | CTC-1140758 | 54.25 |
| STICK | | | | | | | |
| BBE1-UP; BBL1-UP; BCN1-UP; BEA1-UP; BMZ1-UP; EGL1-UP | | | | | | | |
| | 1589060 | | P-UB-10 | 100 mm | 140 mm | CTC-2159985 | 168.04 |
| | 1589060 | | Bushing | 100 mm | | CTC-1140757 | 66.11 |
| BBE1-UP; BBL1-UP; BCN1-UP; BEA1-UP; EGL1-UP | | | | | | | |
| | 1589059 | | P-UB-10 | 100 mm | 140 mm | CTC-2095874 | 348.43 |
| | 1589059 | | Bushing | 100 mm | | CTC-1140757 | 66.11 |
| BMZ1-UP | | | | | | | |
| | 1589059 | | P-UB-10 | 100 mm | 140 mm | CTC-2159985 | 168.04 |
| | 1589059 | | Bushing | 100 mm | | CTC-1140757 | 66.11 |
| MODEL 320C U | | | | | | | |
| BOOM | | | | | | | |
| CLM1-UP; CLZ1-UP | | | | | | | |
| | 1588991 | | P-UB-10 | 85 mm | 120 mm | CTC-1373763 | 507.19 |
| | 1588991 | | Bushing | 85 mm | | CTC-0964402 | 44.04 |

REPLACEMENT KITS FOR CATERPILLAR® EQUIPMENT

| Excavators | | | | | | | |
|--|-------|--------------------------------|---------|--------|--------|-------------|--------|
| APPLICATION | CYL # | Misc-Parts, Instructions, etc. | CODE | ROD | BORE | KIT # | |
| MODEL 320C U | | | | | | | |
| BOOM | | | | | | | |
| CLM1-UP; CLZ1-UP; MAC1-UP; PAC1-UP | | | | | | | |
| 1850340 | | | P-UB-10 | 85 mm | 120 mm | CTC-2478996 | 223.35 |
| 1850340 | | | Bushing | 85 mm | | CTC-0964402 | 44.04 |
| 2043614 | | | P-UB-10 | 85 mm | 120 mm | CTC-2478998 | 223.35 |
| 2043614 | | | Bushing | 85 mm | | CTC-0964402 | 44.04 |
| MAC1-UP; PAC1-UP | | | | | | | |
| 2742510 | | | P-UB-10 | 85 mm | 120 mm | CTC-2742511 | 161.43 |
| 2742510 | | | Bushing | 85 mm | | CTC-1140756 | 47.03 |
| BUCKET | | | | | | | |
| CLM1-UP; CLZ1-UP | | | | | | | |
| 1850346 | | | P-UB-10 | 85 mm | 120 mm | CTC-1540744 | 606.55 |
| 1850346 | | | Bushing | 85 mm | | CTC-0964402 | 44.04 |
| 2043617 | | | P-UB-10 | 85 mm | 120 mm | CTC-2043627 | 191.82 |
| 2043617 | | | Bushing | 85 mm | | CTC-0964402 | 44.04 |
| 2043696 | | | P-UB-10 | 85 mm | 120 mm | CTC-2479000 | 203.28 |
| 2043696 | | | Bushing | 85 mm | | CTC-0964402 | 44.04 |
| CLM1-UP; CLZ1-UP; MAC1-UP; PAC1-UP | | | | | | | |
| 2043689 | | | P-UB-10 | 85 mm | 120 mm | CTC-2479001 | 203.28 |
| 2043689 | | | Bushing | 85 mm | | CTC-0964402 | 44.04 |
| MAC1-UP; PAC1-UP | | | | | | | |
| 2590694 | | | P-UB-10 | 85 mm | 120 mm | CTC-2590695 | 223.35 |
| 2590694 | | | Bushing | 85 mm | | CTC-0964402 | 44.04 |
| 2590698 | | | P-UB-10 | 100 mm | 140 mm | CTC-2590699 | 211.41 |
| 2590698 | | | Bushing | 100 mm | | CTC-0965625 | 65.58 |
| 2590705 | | | P-UB-10 | 85 mm | 120 mm | CTC-2590706 | 203.28 |
| 2590705 | | | Bushing | 85 mm | | CTC-0964402 | 44.04 |
| 2742521 | | | P-UB-10 | 85 mm | 120 mm | CTC-2742511 | 161.43 |
| 2742521 | | | Bushing | 85 mm | | CTC-1140756 | 47.03 |
| COUPLER | | | | | | | |
| MAC1-UP; PAC1-UP | | | | | | | |
| 1728402 | | | I-U-10 | 50 mm | 70 mm | CTC-1728487 | 74.76 |
| STICK | | | | | | | |
| CLM1-UP; CLZ1-UP | | | | | | | |
| 1588993 | | | P-UB-10 | 100 mm | 140 mm | CTC-1373764 | 442.66 |
| 1588993 | | | Bushing | 100 mm | | CTC-0965625 | 65.58 |
| CLM1-UP; CLZ1-UP; MAC1-UP; PAC1-UP | | | | | | | |
| 1850342 | | | P-UB-10 | 100 mm | 140 mm | CTC-2590631 | 211.41 |
| 1850342 | | | Bushing | 100 mm | | CTC-0965625 | 65.58 |
| 2043615 | | | P-UB-10 | 100 mm | 140 mm | CTC-2590633 | 211.41 |
| 2043615 | | | Bushing | 100 mm | | CTC-0965625 | 65.58 |
| MAC1-UP; PAC1-UP | | | | | | | |
| 2742514 | | | P-UB-10 | 100 mm | 140 mm | CTC-2742515 | 232.31 |
| 2742514 | | | Bushing | 100 mm | | CTC-1140757 | 66.11 |
| MODEL 320D | | | | | | | |
| BOOM | | | | | | | |
| A6F1-UP; A8F1-UP; CXY1-UP; DHK1-UP; FAL1-UP; JFZ1-UP; JGZ1-UP; KGF1-UP; MCH1-UP; MDE1-UP; MGG1-UP; PHX1-UP | | | | | | | |
| 2426731 | | | P-UB-10 | 85 mm | 120 mm | CTC-2478868 | 219.46 |
| 2426731 | | | Bushing | 85 mm | | CTC-0964402 | 44.04 |
| A6F1-UP; A8F1-UP; CXY1-UP; DHK1-UP; FAL1-UP; KGF1-UP; MCH1-UP; PHX1-UP | | | | | | | |
| 2426751 | | | P-UB-10 | 100 mm | 140 mm | CTC-2478878 | 270.03 |
| 2426751 | | | Bushing | 100 mm | | CTC-0965625 | 65.58 |
| BZP1-UP; JGZ1-UP; MDE1-UP | | | | | | | |
| 2426746 | | | P-UB-10 | 85 mm | 120 mm | CTC-2667891 | 219.46 |
| 2426746 | | | Bushing | 85 mm | | CTC-0964402 | 44.04 |

REPLACEMENT KITS FOR CATERPILLAR® EQUIPMENT

| Excavators | | | | | | | |
|--|-------|--------------------------------|---------|--------|--------|--------------|--------|
| APPLICATION | CYL # | Misc-Parts, Instructions, etc. | CODE | ROD | BORE | KIT # | |
| MODEL 320D | | | | | | | |
| BOOM | | | | | | | |
| CXY1-UP; DHK1-UP | | | | | | | |
| 2426746 | | | P-UB-10 | 85 mm | 120 mm | CTC-2667891 | 219.46 |
| 2667972 | | | P-UB-10 | 85 mm | 120 mm | CTC-2668011 | 219.46 |
| 2667972 | | | Bushing | 85 mm | | CTC-0964402 | 44.04 |
| FAL1-UP; KGF1-UP | | | | | | | |
| 2426746 | | | P-UB-10 | 85 mm | 120 mm | CTC-2667891 | 219.46 |
| 2426746 | | | Bushing | 85 mm | | CTC-0964402 | 44.04 |
| GKS1-UP | | | | | | | |
| 2897752 | | | P-UB-10 | 100 mm | 140 mm | CTC-2344566 | 200.54 |
| 2897752 | | | Bushing | 100 mm | | CTC-0965625 | 65.58 |
| BUCKET | | | | | | | |
| A6F1-UP; A8F1-UP; CXY1-UP; DHK1-UP; FAL1-UP; JFZ1-UP; JGZ1-UP; KGF1-UP; MCH1-UP; MDE1-UP; MGG1-UP; PHX1-UP | | | | | | | |
| 2426756 | | | P-UB-10 | 85 mm | 120 mm | CTC-2478888 | 187.94 |
| 2426756 | | | Bushing | 85 mm | | CTC-0964402 | 44.04 |
| A6F1-UP; A8F1-UP; CXY1-UP; DHK1-UP; FAL1-UP; KGF1-UP; MCH1-UP; PHX1-UP | | | | | | | |
| 2254591 | | | P-UB-10 | 95 mm | 135 mm | CTC-2344587 | 184.02 |
| 2254591 | | | Bushing | 95 mm | | CTC-0964430 | 47.85 |
| BZP1-UP; CXY1-UP; DHK1-UP; FAL1-UP; JGZ1-UP; KGF1-UP; MDE1-UP | | | | | | | |
| 2426759 | | | P-UB-10 | 85 mm | 120 mm | CTC-2667892 | 187.94 |
| 2426759 | | | Bushing | 85 mm | | CTC-0964402 | 44.04 |
| CXY1-UP; DHK1-UP | | | | | | | |
| 2667978 | | | P-UB-10 | 85 mm | 120 mm | CTC-2668057 | 187.94 |
| 2667978 | | | Bushing | 85 mm | | CTC-0964402 | 44.04 |
| CXY1-UP; DHK1-UP; FAL1-UP; JGZ1-UP; KGF1-UP; MDE1-UP | | | | | | | |
| 2254599 | | | P-UB-10 | 95 mm | 135 mm | CTC-2590656 | 182.21 |
| 2254599 | | | Bushing | 95 mm | | CTC-0964430 | 47.85 |
| EBT1- | | | | | | | |
| 2426770 | | | P-UB-10 | 90 mm | 130 mm | CTC-2426770K | 186.46 |
| CAB TILT | | | | | | | |
| GKS1-UP | | | | | | | |
| 2632914 | | | P-UB-10 | 2-1/4 | 5 | CTC-2417578 | 87.32 |
| COUPLER | | | | | | | |
| CXY1-UP; DHK1-UP; FAL1-UP; KGF1-UP; MCH1-UP; PHX1-UP | | | | | | | |
| 1728402 | | | I-U-10 | 50 mm | 70 mm | CTC-1728487 | 74.76 |
| HEEL | | | | | | | |
| GKS1-UP | | | | | | | |
| 2897756 | | | P-UB-10 | 90 mm | 130 mm | CTC-2590678 | 178.59 |
| 2897756 | | | Bushing | 90 mm | | CTC-1052575 | 42.49 |
| STICK | | | | | | | |
| A6F1-UP; A8F1-UP; CXY1-UP; DHK1-UP; FAL1-UP; JFZ1-UP; JGZ1-UP; KGF1-UP; MCH1-UP; MDE1-UP; MGG1-UP; PHX1-UP | | | | | | | |
| 2426744 | | | P-UB-10 | 100 mm | 140 mm | CTC-2478974 | 270.03 |
| 2426744 | | | Bushing | 100 mm | | CTC-0965625 | 65.58 |
| A6F1-UP; A8F1-UP; CXY1-UP; DHK1-UP; FAL1-UP; KGF1-UP; MCH1-UP; PHX1-UP | | | | | | | |
| 2426734 | | | P-UB-10 | 100 mm | 140 mm | CTC-2478878 | 270.03 |
| 2426734 | | | Bushing | 100 mm | | CTC-0965625 | 65.58 |
| BZP1-UP; CXY1-UP; DHK1-UP; FAL1-UP; JGZ1-UP; KGF1-UP; MDE1-UP | | | | | | | |
| 2426748 | | | P-UB-10 | 100 mm | 140 mm | CTC-2590775 | 270.03 |
| 2426748 | | | Bushing | 100 mm | | CTC-0965625 | 65.58 |
| CXY1-UP; DHK1-UP | | | | | | | |
| 2667974 | | | P-UB-10 | 100 mm | 140 mm | CTC-2668012 | 270.03 |
| 2667974 | | | Bushing | 100 mm | | CTC-0965625 | 65.58 |
| CXY1-UP; DHK1-UP; FAL1-UP; JGZ1-UP; KGF1-UP; MDE1-UP | | | | | | | |
| 2426763 | | | P-UB-10 | 100 mm | 140 mm | CTC-2590775 | 270.03 |
| 2426763 | | | Bushing | 100 mm | | CTC-0965625 | 65.58 |

REPLACEMENT KITS FOR CATERPILLAR® EQUIPMENT

| Excavators | | | | | | | |
|---|-------|--------------------------------|---------|--------|--------|-------------|--------|
| APPLICATION | CYL # | Misc-Parts, Instructions, etc. | CODE | ROD | BORE | KIT # | |
| MODEL 320D | | | | | | | |
| STICK | | | | | | | |
| GKS1-UP | | | | | | | |
| 2426754 | | | P-UB-10 | 105 mm | 150 mm | CTC-2344576 | 460.60 |
| 2897754 | | | Bushing | 105 mm | | CTC-0995572 | 56.41 |
| MODEL 320D L | | | | | | | |
| BOOM | | | | | | | |
| A6F1-UP; A8F1-UP; A9F1-UP; CXY1-UP; DHK1-UP; FAL1-UP; KGF1-UP; MCH1-UP; PHX1-UP | | | | | | | |
| 2426751 | | | P-UB-10 | 100 mm | 140 mm | CTC-2478878 | 270.03 |
| 2426751 | | | Bushing | 100 mm | | CTC-0965625 | 65.58 |
| A6F1-UP; A8F1-UP; CXY1-UP; DHK1-UP; FAL1-UP; JFZ1-UP; JGZ1-UP; KGF1-UP; MCH1-UP; MDE1-UP; MGG1-UP; PHX1-UP | | | | | | | |
| 2426731 | | | P-UB-10 | 85 mm | 120 mm | CTC-2478868 | 219.46 |
| 2426731 | | | Bushing | 85 mm | | CTC-0964402 | 44.04 |
| A9F1-UP | | | | | | | |
| 2426731 | | | P-UB-10 | 85 mm | 120 mm | CTC-2478868 | 219.46 |
| 2426731 | | | Bushing | 85 mm | | CTC-0964402 | 44.04 |
| CXY1-UP; DHK1-UP | | | | | | | |
| 2426746 | | | P-UB-10 | 85 mm | 120 mm | CTC-2667891 | 219.46 |
| 2667972 | | | P-UB-10 | 85 mm | 120 mm | CTC-2668011 | 219.46 |
| 2667972 | | | Bushing | 85 mm | | CTC-0964402 | 44.04 |
| FAL1-UP; KGF1-UP | | | | | | | |
| 2426746 | | | P-UB-10 | 85 mm | 120 mm | CTC-2667891 | 219.46 |
| 2426746 | | | Bushing | 85 mm | | CTC-0964402 | 44.04 |
| JGZ1-UP; MDE1-UP | | | | | | | |
| 2426746 | | | P-UB-10 | 85 mm | 120 mm | CTC-2667891 | 219.46 |
| 2426746 | | | Bushing | 85 mm | | CTC-0964402 | 44.04 |
| BUCKET | | | | | | | |
| A6F1-UP; A8F1-UP; A9F1-UP; CXY1-UP; DHK1-UP; FAL1-UP; JFZ1-UP; JGZ1-UP; KGF1-UP; MCH1-UP; MDE1-UP; MGG1-UP; PHX1-UP | | | | | | | |
| 2426756 | | | P-UB-10 | 85 mm | 120 mm | CTC-2478888 | 187.94 |
| 2426756 | | | Bushing | 85 mm | | CTC-0964402 | 44.04 |
| A6F1-UP; A8F1-UP; A9F1-UP; CXY1-UP; DHK1-UP; FAL1-UP; KGF1-UP; MCH1-UP; PHX1-UP | | | | | | | |
| 2254591 | | | P-UB-10 | 95 mm | 135 mm | CTC-2344587 | 184.02 |
| 2254591 | | | Bushing | 95 mm | | CTC-0964430 | 47.85 |
| CXY1-UP; DHK1-UP | | | | | | | |
| 2667978 | | | P-UB-10 | 85 mm | 120 mm | CTC-2668057 | 187.94 |
| 2667978 | | | Bushing | 85 mm | | CTC-0964402 | 44.04 |
| CXY1-UP; DHK1-UP; FAL1-UP; JGZ1-UP; KGF1-UP; MDE1-UP | | | | | | | |
| 2254599 | | | P-UB-10 | 95 mm | 135 mm | CTC-2590656 | 182.21 |
| 2254599 | | | Bushing | 95 mm | | CTC-0964430 | 47.85 |
| 2426759 | | | P-UB-10 | 85 mm | 120 mm | CTC-2667892 | 187.94 |
| 2426759 | | | Bushing | 85 mm | | CTC-0964402 | 44.04 |
| COUPLER | | | | | | | |
| CXY1-UP; DHK1-UP; FAL1-UP; KGF1-UP; MCH1-UP; PHX1-UP | | | | | | | |
| 1728402 | | | I-U-10 | 50 mm | 70 mm | CTC-1728487 | 74.76 |
| STICK | | | | | | | |
| A6F1-UP; A8F1-UP; A9F1-UP; CXY1-UP; DHK1-UP; FAL1-UP; JFZ1-UP; JGZ1-UP; KGF1-UP; MCH1-UP; MDE1-UP; MGG1-UP; PHX1-UP | | | | | | | |
| 2426744 | | | P-UB-10 | 100 mm | 140 mm | CTC-2478974 | 270.03 |
| 2426744 | | | Bushing | 100 mm | | CTC-0965625 | 65.58 |
| A6F1-UP; A8F1-UP; A9F1-UP; CXY1-UP; DHK1-UP; FAL1-UP; KGF1-UP; MCH1-UP; PHX1-UP | | | | | | | |
| 2426734 | | | P-UB-10 | 100 mm | 140 mm | CTC-2478878 | 270.03 |
| 2426734 | | | Bushing | 100 mm | | CTC-0965625 | 65.58 |
| CXY1-UP; DHK1-UP | | | | | | | |
| 2667974 | | | P-UB-10 | 100 mm | 140 mm | CTC-2668012 | 270.03 |
| 2667974 | | | Bushing | 100 mm | | CTC-0965625 | 65.58 |

CATERPILLAR®

REPLACEMENT KITS FOR CATERPILLAR® EQUIPMENT

| Excavators | | | | | | | |
|---|-------|--------------------------------|---------|--------|--------|-------------|--------|
| APPLICATION | CYL # | Misc-Parts, Instructions, etc. | CODE | ROD | BORE | KIT # | |
| MODEL 320D L | | | | | | | |
| STICK | | | | | | | |
| CXY1-UP; DHK1-UP; FAL1-UP; JGZ1-UP; KGF1-UP; MDE1-UP | | | | | | | |
| 2426748 | | | P-UB-10 | 100 mm | 140 mm | CTC-2590775 | 270.03 |
| 2426748 | | | Bushing | 100 mm | | CTC-0965625 | 65.58 |
| 2426763 | | | P-UB-10 | 100 mm | 140 mm | CTC-2590775 | 270.03 |
| 2426763 | | | Bushing | 100 mm | | CTC-0965625 | 65.58 |
| MODEL 320D LN | | | | | | | |
| BOOM | | | | | | | |
| WBN1-UP | | | | | | | |
| 2426731 | | | P-UB-10 | 85 mm | 120 mm | CTC-2478868 | 219.46 |
| 2426731 | | | Bushing | 85 mm | | CTC-0964402 | 44.04 |
| 2426746 | | | P-UB-10 | 85 mm | 120 mm | CTC-2667891 | 219.46 |
| 2426746 | | | Bushing | 85 mm | | CTC-0964402 | 44.04 |
| 2667972 | | | P-UB-10 | 85 mm | 120 mm | CTC-2668011 | 219.46 |
| 2667972 | | | Bushing | 85 mm | | CTC-0964402 | 44.04 |
| BUCKET | | | | | | | |
| WBN1-UP | | | | | | | |
| 2426756 | | | P-UB-10 | 85 mm | 120 mm | CTC-2478888 | 187.94 |
| 2426756 | | | Bushing | 85 mm | | CTC-0964402 | 44.04 |
| 2426759 | | | P-UB-10 | 85 mm | 120 mm | CTC-2667892 | 187.94 |
| 2426759 | | | Bushing | 85 mm | | CTC-0964402 | 44.04 |
| 2667978 | | | P-UB-10 | 85 mm | 120 mm | CTC-2668057 | 187.94 |
| 2667978 | | | Bushing | 85 mm | | CTC-0964402 | 44.04 |
| STICK | | | | | | | |
| WBN1-UP | | | | | | | |
| 2426734 | | | P-UB-10 | 100 mm | 140 mm | CTC-2478878 | 270.03 |
| 2426734 | | | Bushing | 100 mm | | CTC-0965625 | 65.58 |
| 2426748 | | | P-UB-10 | 100 mm | 140 mm | CTC-2590775 | 270.03 |
| 2426748 | | | Bushing | 100 mm | | CTC-0965625 | 65.58 |
| 2667974 | | | P-UB-10 | 100 mm | 140 mm | CTC-2668012 | 270.03 |
| 2667974 | | | Bushing | 100 mm | | CTC-0965625 | 65.58 |
| MODEL 320D LRR | | | | | | | |
| BOOM | | | | | | | |
| EBY1-UP | | | | | | | |
| 2667972 | | | P-UB-10 | 85 mm | 120 mm | CTC-2668011 | 219.46 |
| 2667972 | | | Bushing | 85 mm | | CTC-0964402 | 44.04 |
| EBY1-UP; FXK1-UP; GKL1-UP; TAE1-UP; WFD1-UP; XCK1-UP; ZGB1-UP | | | | | | | |
| 2426731 | | | P-UB-10 | 85 mm | 120 mm | CTC-2478868 | 219.46 |
| 2426731 | | | Bushing | 85 mm | | CTC-0964402 | 44.04 |
| EBY1-UP; GKL1-UP; TAE1-UP | | | | | | | |
| 2426746 | | | P-UB-10 | 85 mm | 120 mm | CTC-2667891 | 219.46 |
| 2426746 | | | Bushing | 85 mm | | CTC-0964402 | 44.04 |
| BUCKET | | | | | | | |
| EBY1-UP | | | | | | | |
| 2667978 | | | P-UB-10 | 85 mm | 120 mm | CTC-2668057 | 187.94 |
| 2667978 | | | Bushing | 85 mm | | CTC-0964402 | 44.04 |
| EBY1-UP; FXK1-UP; GKL1-UP; TAE1-UP | | | | | | | |
| 2426759 | | | P-UB-10 | 85 mm | 120 mm | CTC-2667892 | 187.94 |
| 2426759 | | | Bushing | 85 mm | | CTC-0964402 | 44.04 |
| EBY1-UP; FXK1-UP; GKL1-UP; TAE1-UP; WFD1-UP; XCK1-UP; ZGB1-UP | | | | | | | |
| 2426756 | | | P-UB-10 | 85 mm | 120 mm | CTC-2478888 | 187.94 |
| 2426756 | | | Bushing | 85 mm | | CTC-0964402 | 44.04 |
| QUICK COUPLER | | | | | | | |
| TAE1-UP; WFD1-UP; XCK1-UP | | | | | | | |
| 1728402 | | | I-U-10 | 50 mm | 70 mm | CTC-1728487 | 74.76 |

REPLACEMENT KITS FOR CATERPILLAR® EQUIPMENT

| Excavators | | | | | | | |
|---|-------|--------------------------------|---------|--------|--------|-------------|--------|
| APPLICATION | CYL # | Misc-Parts, Instructions, etc. | CODE | ROD | BORE | KIT # | |
| MODEL 320D LRR | | | | | | | |
| STICK | | | | | | | |
| EBY1-UP | | | | | | | |
| 2667974 | | | P-UB-10 | 100 mm | 140 mm | CTC-2668012 | 270.03 |
| 2667974 | | | Bushing | 100 mm | | CTC-0965625 | 65.58 |
| EBY1-UP; FXK1-UP; GKL1-UP; TAE1-UP; WFD1-UP; XCK1-UP | | | | | | | |
| 2426744 | | | P-UB-10 | 100 mm | 140 mm | CTC-2478974 | 270.03 |
| 2426744 | | | Bushing | 100 mm | | CTC-0965625 | 65.58 |
| EBY1-UP; FXK1-UP; GKL1-UP; TAE1-UP; WFD1-UP; XCK1-UP; ZGB1-UP | | | | | | | |
| 2426734 | | | P-UB-10 | 100 mm | 140 mm | CTC-2478878 | 270.03 |
| 2426734 | | | Bushing | 100 mm | | CTC-0965625 | 65.58 |
| EBY1-UP; GKL1-UP; TAE1-UP | | | | | | | |
| 2426748 | | | P-UB-10 | 100 mm | 140 mm | CTC-2590775 | 270.03 |
| 2426748 | | | Bushing | 100 mm | | CTC-0965625 | 65.58 |
| MODEL 320D RR | | | | | | | |
| BOOM | | | | | | | |
| EBY1-UP | | | | | | | |
| 2667972 | | | P-UB-10 | 85 mm | 120 mm | CTC-2668011 | 219.46 |
| 2667972 | | | Bushing | 85 mm | | CTC-0964402 | 44.04 |
| EBY1-UP; FXK1-UP; GKL1-UP; WFD1-UP; XCK1-UP; YDS1-UP | | | | | | | |
| 2426731 | | | P-UB-10 | 85 mm | 120 mm | CTC-2478868 | 219.46 |
| 2426731 | | | Bushing | 85 mm | | CTC-0964402 | 44.04 |
| EBY1-UP; GKL1-UP; YDS1-UP | | | | | | | |
| 2426746 | | | P-UB-10 | 85 mm | 120 mm | CTC-2667891 | 219.46 |
| 2426746 | | | Bushing | 85 mm | | CTC-0964402 | 44.04 |
| BUCKET | | | | | | | |
| EBY1-UP | | | | | | | |
| 2667978 | | | P-UB-10 | 85 mm | 120 mm | CTC-2668057 | 187.94 |
| 2667978 | | | Bushing | 85 mm | | CTC-0964402 | 44.04 |
| EBY1-UP; FXK1-UP; GKL1-UP; WFD1-UP; XCK1-UP; YDS1-UP | | | | | | | |
| 2426756 | | | P-UB-10 | 85 mm | 120 mm | CTC-2478888 | 187.94 |
| 2426756 | | | Bushing | 85 mm | | CTC-0964402 | 44.04 |
| EBY1-UP; FXK1-UP; GKL1-UP; YDS1-UP | | | | | | | |
| 2426759 | | | P-UB-10 | 85 mm | 120 mm | CTC-2667892 | 187.94 |
| 2426759 | | | Bushing | 85 mm | | CTC-0964402 | 44.04 |
| QUICK COUPLER | | | | | | | |
| WFD1-UP; XCK1-UP; YDS1-UP | | | | | | | |
| 1728402 | | | I-U-10 | 50 mm | 70 mm | CTC-1728487 | 74.76 |
| STICK | | | | | | | |
| EBY1-UP | | | | | | | |
| 2667974 | | | P-UB-10 | 100 mm | 140 mm | CTC-2668012 | 270.03 |
| 2667974 | | | Bushing | 100 mm | | CTC-0965625 | 65.58 |
| EBY1-UP; FXK1-UP; GKL1-UP; WFD1-UP; XCK1-UP; YDS1-UP | | | | | | | |
| 2426734 | | | P-UB-10 | 100 mm | 140 mm | CTC-2478878 | 270.03 |
| 2426734 | | | Bushing | 100 mm | | CTC-0965625 | 65.58 |
| 2426744 | | | P-UB-10 | 100 mm | 140 mm | CTC-2478974 | 270.03 |
| 2426744 | | | Bushing | 100 mm | | CTC-0965625 | 65.58 |
| EBY1-UP; GKL1-UP; YDS1-UP | | | | | | | |
| 2426748 | | | P-UB-10 | 100 mm | 140 mm | CTC-2590775 | 270.03 |
| 2426748 | | | Bushing | 100 mm | | CTC-0965625 | 65.58 |
| MODEL 320E | | | | | | | |
| BOOM | | | | | | | |
| AWS1-UP; SHX1-UP; SXE1-UP | | | | | | | |
| 3412790 | | | P-UB-10 | 85 mm | 120 mm | CTC-4560197 | 185.55 |
| 3412790 | | | Bushing | 85 mm | | CTC-0964402 | 44.04 |

REPLACEMENT KITS FOR CATERPILLAR® EQUIPMENT

| Excavators | | | | | | | |
|---|--------------------------|--------------------------------|-----------|--------|--------|--------------|--------|
| APPLICATION | CYL # | Misc-Parts, Instructions, etc. | CODE | ROD | BORE | KIT # | |
| MODEL 320E | | | | | | | |
| BUCKET | | | | | | | |
| AWS1-UP | | | | | | | |
| 3412818 | | | P-UB-10 | 90 mm | 130 mm | CTC-4560210 | 215.30 |
| 3412818 | | | Bushing | 90 mm | | CTC-1052575 | 42.49 |
| AWS1-UP; SHX1-UP; SXE1-UP | | | | | | | |
| 3412814 | | | P-UB-10 | 85 mm | 120 mm | CTC-4560207 | 180.45 |
| 3412814 | | | Bushing | 85 mm | | CTC-0964402 | 44.04 |
| AWS1-UP; SXE1-UP | | | | | | | |
| 3568788 | Type 1 | | P-UB-10 | 85 mm | 120 mm | CTC-2478790 | 150.28 |
| 3568788 | Type 2 | | P-UB-10 | 85 mm | 120 mm | CTC-3979294 | 200.51 |
| 3568788 | Types 1 and 2 | | Bushing | 85 mm | | CTC-1140756 | 47.03 |
| COUPLER | | | | | | | |
| AWS1-UP; SXE1-UP | | | | | | | |
| 1690329 | | | I-U-5 | 40 mm | 60 mm | CTC-2027897 | 56.71 |
| 2948011 | | | P-U-10,12 | 2 | 3-1/2 | CTC-3460643 | 60.25 |
| STICK | | | | | | | |
| AWS1-UP; SHX1-UP; SXE1-UP | | | | | | | |
| 3412802 | | | P-UB-10 | 100 mm | 140 mm | CTC-4560202 | 257.32 |
| 3412802 | | | Bushing | 100 mm | | CTC-0965625 | 65.58 |
| TRACK ADJUSTER | | | | | | | |
| AWS1-UP; SHX1-UP; SXE1-UP | | | | | | | |
| 2394390 | | | TRK ADJ | | | CTC-SK100110 | 61.23 |
| MODEL 320E L | | | | | | | |
| BOOM | | | | | | | |
| KLT1-UP; LAK1-UP; NAZ1-UP; REE1-UP; TEX1-UP; TNJ1-UP; WBK1-UP | | | | | | | |
| 3412790 | | | P-UB-10 | 85 mm | 120 mm | CTC-4560197 | 185.55 |
| 3412790 | | | Bushing | 85 mm | | CTC-0964402 | 44.04 |
| NAZ1-UP | | | | | | | |
| 3605447 | Variable Adjustable Boom | | P-UB-10 | 95 mm | 160 mm | CTC-3979296 | 303.59 |
| 3605447 | Variable Adjustable Boom | | Bushing | 95 mm | | CTC-6C6093 | 60.58 |
| REE1-UP; TEX1-UP; TNJ1-UP; WBK1-UP | | | | | | | |
| 3319283 | | | P-UB-10 | 90 mm | 125 mm | CTC-4560198 | 199.17 |
| 3319283 | | | Bushing | 90 mm | | CTC-1052575 | 42.49 |
| BUCKET | | | | | | | |
| KLT1-UP | | | | | | | |
| 3412818 | | | P-UB-10 | 90 mm | 130 mm | CTC-4560210 | 215.30 |
| 3412818 | | | Bushing | 90 mm | | CTC-1052575 | 42.49 |
| KLT1-UP; LAK1-UP; NAZ1-UP; REE1-UP; TEX1-UP; TNJ1-UP; WBK1-UP | | | | | | | |
| 3568788 | Type 1 | | P-UB-10 | 85 mm | 120 mm | CTC-2478790 | 150.28 |
| 3568788 | Type 2 | | P-UB-10 | 85 mm | 120 mm | CTC-3979294 | 200.51 |
| 3568788 | Types 1 and 2 | | Bushing | 85 mm | | CTC-1140756 | 47.03 |
| KLT1-UP; LAK1-UP; NAZ1-UP; REE1-UP; TEX1-UP; TNJ1-UP; WBK1-UP | | | | | | | |
| 3412814 | | | P-UB-10 | 85 mm | 120 mm | CTC-4560207 | 180.45 |
| 3412814 | | | Bushing | 85 mm | | CTC-0964402 | 44.04 |
| LAK1-UP; NAZ1-UP; REE1-UP; WBK1-UP | | | | | | | |
| 3582108 | | | P-UB-10 | 70 mm | 100 mm | CTC-3494121 | 255.14 |
| 3582108 | | | Bushing | 70 mm | | CTC-1140753 | 37.46 |
| NAZ1-UP; REE1-UP; TEX1-UP | | | | | | | |
| 3852834 | | | P-UB-14 | 70 mm | 100 mm | CTC-3904227 | 306.68 |
| 3852834 | | | Bushing | 70 mm | | CTC-3904158 | 31.10 |
| COUPLER | | | | | | | |
| KLT1-UP; LAK1-UP; NAZ1-UP; REE1-UP; TEX1-UP; TNJ1-UP; WBK1-UP | | | | | | | |
| 2948011 | | | P-U-10,12 | 2 | 3-1/2 | CTC-3460643 | 60.25 |
| KLT1-UP; NAZ1-UP; WBK1-UP | | | | | | | |
| 1690329 | | | I-U-5 | 40 mm | 60 mm | CTC-2027897 | 56.71 |

REPLACEMENT KITS FOR CATERPILLAR® EQUIPMENT

| Excavators | | | | | | | |
|---|--------------------------|--------------------------------|-----------|--------|--------|--------------|--------|
| APPLICATION | CYL # | Misc-Parts, Instructions, etc. | CODE | ROD | BORE | KIT # | |
| MODEL 320E L | | | | | | | |
| STICK | | | | | | | |
| KLT1-UP; LAK1-UP; NAZ1-UP; REE1-UP; TEX1-UP; TNJ1-UP; WBK1-UP | | | | | | | |
| 3412802 | | | P-UB-10 | 100 mm | 140 mm | CTC-4560202 | 257.32 |
| 3412802 | | | Bushing | 100 mm | | CTC-0965625 | 65.58 |
| LAK1-UP; NAZ1-UP; REE1-UP; WBK1-UP | | | | | | | |
| 3412177 | | | P-UB-10 | 105 mm | 150 mm | CTC-3500975 | 258.28 |
| 3412177 | | | Bushing | 105 mm | | CTC-0995572 | 56.41 |
| 3494148 | | | P-UB-10 | 105 mm | 150 mm | CTC-4560203 | 258.28 |
| 3494148 | | | Bushing | 105 mm | | CTC-0995572 | 56.41 |
| REE1-UP | | | | | | | |
| 2254588 | | | P-UB-10 | 105 mm | 150 mm | CTC-4560203 | 258.28 |
| 2254588 | | | Bushing | 105 mm | | CTC-0995572 | 56.41 |
| TNJ1-UP; WBK1-UP | | | | | | | |
| 3412807 | | | P-UB-10 | 100 mm | 140 mm | CTC-4560204 | 247.00 |
| 3412807 | | | Bushing | 100 mm | | CTC-0965625 | 65.58 |
| TRACK ADJUSTER | | | | | | | |
| KLT1-UP; LAK1-UP; NAZ1-UP; REE1-UP; TEX1-UP; TNJ1-UP; WBK1-UP | | | | | | | |
| 2394390 | | | TRK ADJ | | | CTC-SK100110 | 61.23 |
| MODEL 320E LN | | | | | | | |
| BOOM | | | | | | | |
| DFG1-UP | | | | | | | |
| 3412790 | | | P-UB-10 | 85 mm | 120 mm | CTC-4560197 | 185.55 |
| 3412790 | | | Bushing | 85 mm | | CTC-0964402 | 44.04 |
| 3605447 | Variable Adjustable Boom | | P-UB-10 | 95 mm | 160 mm | CTC-3979296 | 303.59 |
| 3605447 | Variable Adjustable Boom | | Bushing | 95 mm | | CTC-6C6093 | 60.58 |
| BUCKET | | | | | | | |
| DFG1-UP | | | | | | | |
| 3412182 | | | P-UB-10 | 95 mm | 135 mm | CTC-3500976 | 209.04 |
| 3412182 | | | Bushing | 95 mm | | CTC-0964430 | 47.85 |
| 3412814 | | | P-UB-10 | 85 mm | 120 mm | CTC-4560207 | 180.45 |
| 3412814 | | | Bushing | 85 mm | | CTC-0964402 | 44.04 |
| 3568788 | Type 1 | | P-UB-10 | 85 mm | 120 mm | CTC-2478790 | 150.28 |
| 3568788 | Type 2 | | P-UB-10 | 85 mm | 120 mm | CTC-3979294 | 200.51 |
| 3568788 | Types 1 and 2 | | Bushing | 85 mm | | CTC-1140756 | 47.03 |
| COUPLER | | | | | | | |
| DFG1-UP | | | | | | | |
| 1690329 | | | I-U-5 | 40 mm | 60 mm | CTC-2027897 | 56.71 |
| 2948011 | | | P-U-10,12 | 2 | 3-1/2 | CTC-3460643 | 60.25 |
| STICK | | | | | | | |
| DFG1-UP | | | | | | | |
| 3412802 | | | P-UB-10 | 100 mm | 140 mm | CTC-4560202 | 257.32 |
| 3412802 | | | Bushing | 100 mm | | CTC-0965625 | 65.58 |
| TRACK ADJUSTER | | | | | | | |
| DFG1-UP | | | | | | | |
| 2394390 | | | TRK ADJ | | | CTC-SK100110 | 61.23 |
| MODEL 320E LRR | | | | | | | |
| BOOM | | | | | | | |
| MEW1-UP; PNL1-UP; TFX1-UP | | | | | | | |
| 3412790 | | | P-UB-10 | 85 mm | 120 mm | CTC-4560197 | 185.55 |
| 3412790 | | | Bushing | 85 mm | | CTC-0964402 | 44.04 |
| BUCKET | | | | | | | |
| MEW1-UP | | | | | | | |
| 3412818 | | | P-UB-10 | 90 mm | 130 mm | CTC-4560210 | 215.30 |
| 3412818 | | | Bushing | 90 mm | | CTC-1052575 | 42.49 |

REPLACEMENT KITS FOR CATERPILLAR® EQUIPMENT

| Excavators | | | | | | | |
|---------------------------|---------------|--------------------------------|-----------|--------|--------|--------------|--------|
| APPLICATION | CYL # | Misc-Parts, Instructions, etc. | CODE | ROD | BORE | KIT # | |
| MODEL 320E LRR | | | | | | | |
| BUCKET | | | | | | | |
| MEW1-UP; PNL1-UP; TFX1-UP | | | | | | | |
| 3412814 | | | P-UB-10 | 85 mm | 120 mm | CTC-4560207 | 180.45 |
| 3412814 | | | Bushing | 85 mm | | CTC-0964402 | 44.04 |
| 3568788 | Type 1 | | P-UB-10 | 85 mm | 120 mm | CTC-2478790 | 150.28 |
| 3568788 | Type 2 | | P-UB-10 | 85 mm | 120 mm | CTC-3979294 | 200.51 |
| 3568788 | Types 1 and 2 | | Bushing | 85 mm | | CTC-1140756 | 47.03 |
| COUPLER | | | | | | | |
| TFX1-UP | | | | | | | |
| 2948011 | | | P-U-10,12 | 2 | 3-1/2 | CTC-3460643 | 60.25 |
| STICK | | | | | | | |
| MEW1-UP; PNL1-UP; TFX1-UP | | | | | | | |
| 3412802 | | | P-UB-10 | 100 mm | 140 mm | CTC-4560202 | 257.32 |
| 3412802 | | | Bushing | 100 mm | | CTC-0965625 | 65.58 |
| TRACK ADJUSTER | | | | | | | |
| MEW1-UP; PNL1-UP; TFX1-UP | | | | | | | |
| 2394390 | | | TRK ADJ | | | CTC-SK100110 | 61.23 |
| MODEL 320E RR | | | | | | | |
| BOOM | | | | | | | |
| LHN1-UP | | | | | | | |
| 3412790 | | | P-UB-10 | 85 mm | 120 mm | CTC-4560197 | 185.55 |
| 3412790 | | | Bushing | 85 mm | | CTC-0964402 | 44.04 |
| BUCKET | | | | | | | |
| LHN1-UP | | | | | | | |
| 3412814 | | | P-UB-10 | 85 mm | 120 mm | CTC-4560207 | 180.45 |
| 3412814 | | | Bushing | 85 mm | | CTC-0964402 | 44.04 |
| 3412818 | | | P-UB-10 | 90 mm | 130 mm | CTC-4560210 | 215.30 |
| 3412818 | | | Bushing | 90 mm | | CTC-1052575 | 42.49 |
| 3568788 | Type 1 | | P-UB-10 | 85 mm | 120 mm | CTC-2478790 | 150.28 |
| 3568788 | Type 2 | | P-UB-10 | 85 mm | 120 mm | CTC-3979294 | 200.51 |
| 3568788 | Types 1 and 2 | | Bushing | 85 mm | | CTC-1140756 | 47.03 |
| STICK | | | | | | | |
| LHN1-UP | | | | | | | |
| 3412802 | | | P-UB-10 | 100 mm | 140 mm | CTC-4560202 | 257.32 |
| 3412802 | | | Bushing | 100 mm | | CTC-0965625 | 65.58 |
| TRACK ADJUSTER | | | | | | | |
| LHN1-UP | | | | | | | |
| 2394390 | | | TRK ADJ | | | CTC-SK100110 | 61.23 |
| MODEL 320F L | | | | | | | |
| BOOM | | | | | | | |
| NHD1-UP; YBM1-UP | | | | | | | |
| 3412790 | | | P-UB-10 | 85 mm | 120 mm | CTC-4560197 | 185.55 |
| 3412790 | | | Bushing | 85 mm | | CTC-0964402 | 44.04 |
| BOOM VAR ADJ | | | | | | | |
| NHD1-UP | | | | | | | |
| 3605447 | | | P-UB-10 | 95 mm | 160 mm | CTC-3979296 | 303.59 |
| 3605447 | | | Bushing | 95 mm | | CTC-6C6093 | 60.58 |
| BUCKET | | | | | | | |
| NHD1-UP | | | | | | | |
| 3852834 | | | P-UB-14 | 70 mm | 100 mm | CTC-3904227 | 306.68 |
| 3852834 | | | Bushing | 70 mm | | CTC-3904158 | 31.10 |
| 4699342 | Head 3234219 | | I-U-10 | 50 mm | 80 mm | CTC-3240356 | 112.03 |
| 4699353 | Head 3234219 | | I-U-10 | 50 mm | 80 mm | CTC-3240356 | 112.03 |

REPLACEMENT KITS FOR CATERPILLAR® EQUIPMENT

| Excavators | | | | | | | |
|--------------------------------|--------------|--------------------------------|-------------|--------|--------|--------------|--------|
| APPLICATION | CYL # | Misc-Parts, Instructions, etc. | CODE | ROD | BORE | KIT # | |
| MODEL 320F L | | | | | | | |
| BUCKET | | | | | | | |
| NHD1-UP; YBM1-UP | | | | | | | |
| 3412814 | | | P-UB-10 | 85 mm | 120 mm | CTC-4560207 | 180.45 |
| 3412814 | | | Bushing | 85 mm | | CTC-0964402 | 44.04 |
| 4699342 | Head 4944314 | | P-U-10 | 50 mm | 80 mm | CTC-5016702 | 104.94 |
| 4699353 | Head 4944314 | | P-U-10 | 50 mm | 80 mm | CTC-5016702 | 104.94 |
| COUPLER | | | | | | | |
| NHD1-UP; YBM1-UP | | | | | | | |
| 3909505 | | | I-U-10 | 1-1/2 | 2-1/2 | CTC-4536523 | 21.00 |
| 3909505 | | | Chk Vlv Kit | | | CTC-2138433 | 17.12 |
| STICK | | | | | | | |
| NHD1-UP; YBM1-UP | | | | | | | |
| 3412802 | | | P-UB-10 | 100 mm | 140 mm | CTC-4560202 | 257.32 |
| 3412802 | | | Bushing | 100 mm | | CTC-0965625 | 65.58 |
| TRACK ADJUSTER | | | | | | | |
| NHD1-UP; YBM1-UP | | | | | | | |
| 2394390 | | | TRK ADJ | | | CTC-SK100110 | 61.23 |
| MODEL 320L | | | | | | | |
| BOOM | | | | | | | |
| 874898 | | | P-UB-10 | 100 mm | 140 mm | CTC-2459842 | 219.45 |
| BUCKET | | | | | | | |
| 1251547 | | | P-UB-10 | 65 mm | 100 mm | CTC-4I8914 | 280.34 |
| 4I7652 | | | P-UB-10 | 65 mm | 100 mm | CTC-4I7664 | 280.46 |
| 4I8840 | | | P-UB-10 | 65 mm | 100 mm | CTC-4I8914 | 280.34 |
| 7I7291 | | | P-UB-10 | 85 mm | 130 mm | CTC-7Y5145 | 366.57 |
| 7Y5100 | | | P-UB-10 | 85 mm | 130 mm | CTC-7Y5145 | 366.57 |
| STICK | | | | | | | |
| 7Y4650 | | | P-UB-10 | 105 mm | 150 mm | CTC-1163612 | 413.90 |
| 875493 | | | P-UB-10 | 100 mm | 140 mm | CTC-1270630 | 443.61 |
| MODEL 320N | | | | | | | |
| BOOM | | | | | | | |
| 874898 | | | P-UB-10 | 100 mm | 140 mm | CTC-2459842 | 219.45 |
| BUCKET | | | | | | | |
| 7Y5100 | | | P-UB-10 | 85 mm | 130 mm | CTC-7Y5145 | 366.57 |
| STICK | | | | | | | |
| 875493 | | | P-UB-10 | 100 mm | 140 mm | CTC-1270630 | 443.61 |
| MODEL 320S | | | | | | | |
| BOOM | | | | | | | |
| 0875496 | | | P-UB-10 | 85 mm | 120 mm | CTC-1184131 | 342.72 |
| 1069596 | | | P-UB-10 | 95 mm | 160 mm | CTC-6C6091 | 461.97 |
| BOOM VA | | | | | | | |
| 6C6085 | | | P-UB-10 | 95 mm | 160 mm | CTC-6C6091 | 461.97 |
| BUCKET | | | | | | | |
| 0875633 | | | P-UB-10 | 85 mm | 120 mm | CTC-1184131 | 342.72 |
| 7Y5100 | | | P-UB-10 | 85 mm | 130 mm | CTC-7Y5145 | 366.57 |
| STICK | | | | | | | |
| 0875422 | | | P-UB-10 | 100 mm | 140 mm | CTC-0875387 | 468.63 |
| 0876638 | | | P-UB-10 | 100 mm | 140 mm | CTC-0875387 | 468.63 |
| MODEL 321B | | | | | | | |
| BOOM-LH | | | | | | | |
| 1913267 | | | P-UB-10 | 90 mm | 125 mm | CTC-2479004 | 185.16 |
| BUCKET | | | | | | | |
| 1232084 | | | P-UB-10 | 90 mm | 130 mm | CTC-1373768 | 604.17 |
| UNSPECIFIED APPLICATION | | | | | | | |
| 1183967 | | | P-UB-10 | 85 mm | 120 mm | CTC-1261947 | 474.74 |

CATERPILLAR®

REPLACEMENT KITS FOR CATERPILLAR® EQUIPMENT

| Excavators | | | | | | | |
|-----------------------|-------|--------------------------------|---------|--------|--------|-------------|--------|
| APPLICATION | CYL # | Misc-Parts, Instructions, etc. | CODE | ROD | BORE | KIT # | |
| MODEL 321C LCR | | | | | | | |
| BLADE LH | | | | | | | |
| KCR1-UP; MCF1-UP | | | | | | | |
| 1913288 | | | P-UB-10 | 100 mm | 140 mm | CTC-1645174 | 300.06 |
| 1913288 | | | Bushing | 100 mm | | CTC-0965625 | 65.58 |
| BLADE RH | | | | | | | |
| KCR1-UP; MCF1-UP | | | | | | | |
| 1913286 | | | P-UB-10 | 100 mm | 140 mm | CTC-1645174 | 300.06 |
| 1913286 | | | Bushing | 100 mm | | CTC-0965625 | 65.58 |
| BOOM | | | | | | | |
| KCR1-UP | | | | | | | |
| 2449116 | | | P-UB-10 | 85 mm | 120 mm | CTC-2478998 | 223.35 |
| 2449116 | | | Bushing | 85 mm | | CTC-0964402 | 44.04 |
| KCR1-UP; MCF1-UP | | | | | | | |
| 2160021 | | | P-UB-10 | 90 mm | 125 mm | CTC-2479004 | 185.16 |
| 2160021 | | | Bushing | 90 mm | | CTC-1052575 | 42.49 |
| MCF1-UP | | | | | | | |
| 2043614 | | | P-UB-10 | 85 mm | 120 mm | CTC-2043625 | 326.75 |
| 2043614 | | | Bushing | 85 mm | | CTC-0964402 | 44.04 |
| BOOM LH | | | | | | | |
| KCR1-UP; MCF1-UP | | | | | | | |
| 2160018 | | | P-UB-10 | 90 mm | 125 mm | CTC-2479004 | 185.16 |
| 2160018 | | | Bushing | 90 mm | | CTC-1052575 | 42.49 |
| BUCKET | | | | | | | |
| KCR1-UP | | | | | | | |
| 2449120 | | | P-UB-10 | 85 mm | 120 mm | CTC-2479001 | 203.28 |
| 2449120 | | | Bushing | 85 mm | | CTC-0964402 | 44.04 |
| KCR1-UP; MCF1-UP | | | | | | | |
| 2043689 | | | P-UB-10 | 85 mm | 120 mm | CTC-2479001 | 203.28 |
| 2043689 | | | Bushing | 85 mm | | CTC-0964402 | 44.04 |
| COUPLER | | | | | | | |
| KCR1-UP; MCF1-UP | | | | | | | |
| 1728402 | | | I-U-10 | 50 mm | 70 mm | CTC-1728487 | 74.76 |
| STICK | | | | | | | |
| KCR1-UP | | | | | | | |
| 2424840 | | | P-UB-10 | 100 mm | 140 mm | CTC-2590633 | 211.41 |
| 2424840 | | | Bushing | 100 mm | | CTC-0965625 | 65.58 |
| KCR1-UP; MCF1-UP | | | | | | | |
| 2043615 | | | P-UB-10 | 100 mm | 140 mm | CTC-2590633 | 211.41 |
| 2043615 | | | Bushing | 100 mm | | CTC-0965625 | 65.58 |
| STICK LH | | | | | | | |
| MCF1-UP | | | | | | | |
| 2817970 | | | P-UB-10 | 100 mm | 140 mm | CTC-1373764 | 442.66 |
| 2817970 | | | Bushing | 100 mm | | CTC-0965625 | 65.58 |
| STICK RH | | | | | | | |
| MCF1-UP | | | | | | | |
| 2817971 | | | P-UB-10 | 100 mm | 140 mm | CTC-1373764 | 442.66 |
| 2817971 | | | Bushing | 100 mm | | CTC-0965625 | 65.58 |
| MODEL 321D LCR | | | | | | | |
| BLADE LH | | | | | | | |
| PBD1-UP | | | | | | | |
| 1913288 | | | P-UB-10 | 100 mm | 140 mm | CTC-1645174 | 300.06 |
| 1913288 | | | Bushing | 100 mm | | CTC-0965625 | 65.58 |
| BLADE RH | | | | | | | |
| PBD1-UP | | | | | | | |
| 1913286 | | | P-UB-10 | 100 mm | 140 mm | CTC-1645174 | 300.06 |
| 1913286 | | | Bushing | 100 mm | | CTC-0965625 | 65.58 |

REPLACEMENT KITS FOR CATERPILLAR® EQUIPMENT

| Excavators | | | | | | | |
|--|-------|--------------------------------|-----------|--------|--------|-------------|--------|
| APPLICATION | CYL # | Misc-Parts, Instructions, etc. | CODE | ROD | BORE | KIT # | |
| MODEL 321D LCR | | | | | | | |
| BOOM | | | | | | | |
| PBD1-UP; TXA1-UP | | | | | | | |
| 2426731 | | | P-UB-10 | 85 mm | 120 mm | CTC-2478868 | 219.46 |
| 2426731 | | | Bushing | 85 mm | | CTC-0964402 | 44.04 |
| 2795614 | | | P-UB-10 | 95 mm | 160 mm | CTC-2521191 | 267.88 |
| 2795614 | | | Bushing | 95 mm | | CTC-6C6093 | 60.58 |
| BOOM LH | | | | | | | |
| KBZ1-UP; MDT1-UP; MPG1-UP; NAS1-UP; PBD1-UP; TXA1-UP | | | | | | | |
| 2742689 | | | P-UB-10 | 90 mm | 125 mm | CTC-2835988 | 712.84 |
| 2742689 | | | Bushing | 90 mm | | CTC-1052575 | 42.49 |
| BOOM RH | | | | | | | |
| KBZ1-UP; MDT1-UP; MPG1-UP; NAS1-UP; PBD1-UP; TXA1-UP | | | | | | | |
| 2742690 | | | P-UB-10 | 90 mm | 125 mm | CTC-2835988 | 712.84 |
| 2742690 | | | Bushing | 90 mm | | CTC-1052575 | 42.49 |
| BUCKET | | | | | | | |
| KBZ1-UP; MDT1-UP; MPG1-UP; NAS1-UP; PBD1-UP; TXA1-UP | | | | | | | |
| 2426756 | | | P-UB-10 | 85 mm | 120 mm | CTC-2478888 | 187.94 |
| 2426756 | | | Bushing | 85 mm | | CTC-0964402 | 44.04 |
| KBZ1-UP; MPG1-UP; TXA1-UP | | | | | | | |
| 3494134 | | | P-UB-10 | 85 mm | 120 mm | CTC-3500967 | 312.12 |
| 3494134 | | | Bushing | 85 mm | | CTC-0964402 | 44.04 |
| COUPLER | | | | | | | |
| KBZ1-UP; MDT1-UP; MPG1-UP; NAS1-UP; TXA1-UP | | | | | | | |
| 1728402 | | | I-U-10 | 50 mm | 70 mm | CTC-1728487 | 74.76 |
| QUICK COUPLER | | | | | | | |
| KBZ1-UP; MDT1-UP; MPG1-UP; NAS1-UP; TXA1-UP | | | | | | | |
| 2948011 | | | P-U-10,12 | 2 | 3-1/2 | CTC-3460643 | 60.25 |
| STICK | | | | | | | |
| KBZ1-UP; MDT1-UP; MPG1-UP; NAS1-UP; PBD1-UP; TXA1-UP | | | | | | | |
| 2426734 | | | P-UB-10 | 100 mm | 140 mm | CTC-2478878 | 270.03 |
| 2426734 | | | Bushing | 100 mm | | CTC-0965625 | 65.58 |
| MODEL 322 | | | | | | | |
| BOOM | | | | | | | |
| 1052571 | | | P-UB-10 | 90 mm | 130 mm | CTC-1052585 | 398.28 |
| 1052588 | | | P-UB-10 | 100 mm | 140 mm | CTC-1270630 | 443.61 |
| 711345 | | | P-UB-10 | 90 mm | 130 mm | CTC-711360 | 406.89 |
| BUCKET | | | | | | | |
| 0875633 | | | P-UB-10 | 85 mm | 120 mm | CTC-0875394 | 354.94 |
| 0875633 | | | P-UB-10 | 85 mm | 120 mm | CTC-1184131 | 342.72 |
| 1052597 | | | P-UB-10 | 85 mm | 130 mm | CTC-1052601 | 594.43 |
| 1185931 | | | P-UB-10 | 85 mm | 120 mm | CTC-1186023 | 365.30 |
| 418840 | | | P-UB-10 | 65 mm | 100 mm | CTC-418914 | 280.34 |
| 717291 | | | P-UB-10 | 85 mm | 130 mm | CTC-7Y5145 | 366.57 |
| 7Y5100 | | | P-UB-10 | 85 mm | 130 mm | CTC-7Y5145 | 366.57 |
| 7Y5150 | | | P-UB-10 | 105 mm | 150 mm | CTC-1163612 | 413.90 |
| STICK | | | | | | | |
| 717341 | | | P-UB-10 | 100 mm | 140 mm | CTC-0875387 | 468.63 |
| MODEL 322B, 322BL | | | | | | | |
| BOOM | | | | | | | |
| 1140636 | | | P-UB-10 | 100 mm | 140 mm | CTC-1184024 | 443.61 |
| 1184069 | | | P-UB-10 | 90 mm | 130 mm | CTC-1373765 | 652.86 |
| 1184070 | | | P-UB-10 | 100 mm | 140 mm | CTC-1373764 | 442.66 |
| 1184166 | | | P-UB-10 | 90 mm | 130 mm | CTC-1184175 | 404.99 |
| 1336869 | | | P-UB-10 | 90 mm | 130 mm | CTC-1540748 | 395.14 |

CATERPILLAR®

REPLACEMENT KITS FOR CATERPILLAR® EQUIPMENT

| Excavators | | | | | | | |
|---|---------|--------------------------------|---------|--------|--------|--------------|--------|
| APPLICATION | CYL # | Misc-Parts, Instructions, etc. | CODE | ROD | BORE | KIT # | |
| MODEL 322B, 322BL | | | | | | | |
| BUCKET | | | | | | | |
| | 1183921 | | P-UB-10 | 105 mm | 150 mm | CTC-1163612 | 413.90 |
| | 1183921 | | P-UB-10 | 105 mm | 150 mm | CTC-1680758 | 465.24 |
| | 1184008 | | P-UB-10 | 90 mm | 130 mm | CTC-1184175 | 404.99 |
| | 1184134 | | P-UB-10 | 85 mm | 120 mm | CTC-1184131 | 342.72 |
| | 1232044 | | P-UB-10 | 90 mm | 130 mm | CTC-1184175 | 404.99 |
| | 1232084 | | P-UB-10 | 90 mm | 130 mm | CTC-1373768 | 604.17 |
| | 1232091 | | P-UB-10 | 90 mm | 130 mm | CTC-1261887 | 529.18 |
| | 1251547 | | P-UB-10 | 65 mm | 100 mm | CTC-4I8914 | 280.34 |
| | 1336810 | | P-UB-10 | 105 mm | 150 mm | CTC-1289277 | 504.68 |
| | 1346987 | | P-UB-10 | 65 mm | 100 mm | CTC-1764935 | 303.50 |
| | 1540756 | | P-UB-10 | 90 mm | 130 mm | CTC-1540757 | 615.01 |
| | 4I1726 | | P-UB-10 | 110 mm | 160 mm | CTC-0876654 | 437.78 |
| | 4I8840 | | P-UB-10 | 65 mm | 100 mm | CTC-4I8914 | 280.34 |
| STICK | | | | | | | |
| | 1163638 | | P-UB-10 | 110 mm | 170 mm | CTC-1680759 | 549.61 |
| | 1183953 | | P-UB-10 | 100 mm | 140 mm | CTC-1373764 | 442.66 |
| | 1184000 | | P-UB-10 | 105 mm | 150 mm | CTC-1163612 | 413.90 |
| | 1184000 | | P-UB-10 | 105 mm | 150 mm | CTC-1680758 | 465.24 |
| | 1184176 | | P-UB-10 | 100 mm | 140 mm | CTC-1184024 | 443.61 |
| | 1336771 | | P-UB-10 | 105 mm | 150 mm | CTC-1373767 | 574.46 |
| | 7Y4650 | | P-UB-10 | 105 mm | 150 mm | CTC-7Y4698 | 455.25 |
| TILT CAB | | | | | | | |
| | N/A | | P-UB-10 | 2-1/4 | 5 | CTC-9X6392 | 219.47 |
| UNSPECIFIED APPLICATION | | | | | | | |
| | 1183967 | | P-UB-10 | 85 mm | 120 mm | CTC-1261947 | 474.74 |
| | 1540743 | | P-UB-10 | 85 mm | 120 mm | CTC-1540744 | 606.55 |
| | 1540747 | | P-UB-10 | 90 mm | 130 mm | CTC-1540748 | 395.14 |
| MODEL 322C | | | | | | | |
| BOOM | | | | | | | |
| BFK1-UP; BGR1-UP | | | | | | | |
| | 1772440 | | P-UB-10 | 90 mm | 130 mm | CTC-2159986 | 171.53 |
| | 1772440 | | Bushing | 90 mm | | CTC-1140758 | 54.25 |
| | 6C9407 | | P-UB-10 | 100 mm | 170 mm | CTC-2330763 | 308.25 |
| | 6C9407 | | Bushing | 100 mm | | CTC-1140757 | 66.11 |
| BKM1-UP; BLP1-UP | | | | | | | |
| | 1772440 | | P-UB-10 | 90 mm | 130 mm | CTC-2159986 | 171.53 |
| | 1772440 | | Bushing | 90 mm | | CTC-1140758 | 54.25 |
| | 1915580 | | P-UB-10 | 90 mm | 130 mm | CTC-2590625 | 219.21 |
| | 1915580 | | Bushing | 90 mm | | CTC-1052575 | 42.49 |
| | 2043619 | | P-UB-10 | 90 mm | 130 mm | CTC-2590628 | 219.21 |
| | 2043619 | | Bushing | 90 mm | | CTC-1052575 | 42.49 |
| | 2590711 | | P-UB-10 | 90 mm | 130 mm | CTC-2590712 | 221.49 |
| | 2590711 | | Bushing | 90 mm | | CTC-1052575 | 42.49 |
| | 2897878 | | P-UB-10 | 90 mm | 130 mm | CTC-2897878K | 219.93 |
| | 2897878 | | Bushing | 90 mm | | CTC-1140758 | 54.25 |
| BPH1-UP; CAM1-UP; LAR1-UP; MZH1-UP | | | | | | | |
| | 1772440 | | P-UB-10 | 90 mm | 130 mm | CTC-1799772 | 283.58 |
| | 1772440 | | Bushing | 90 mm | | CTC-1140758 | 54.25 |
| | 2044910 | | P-UB-10 | 90 mm | 130 mm | CTC-2465940 | 243.32 |
| | 2044912 | | P-UB-10 | 100 mm | 140 mm | CTC-2481167 | 196.87 |
| | 2044912 | | Bushing | 100 mm | | CTC-1140757 | 66.11 |
| C3R1-UP; CBY1-UP | | | | | | | |
| | 1756855 | | P-UB-10 | 100 mm | 140 mm | CTC-2481163 | 529.78 |
| | 1756855 | | Bushing | 100 mm | | CTC-1140757 | 66.11 |

REPLACEMENT KITS FOR CATERPILLAR® EQUIPMENT

| Excavators | | | | | | | |
|--|-------|--------------------------------|---------|--------|--------|-------------|--------|
| APPLICATION | CYL # | Misc-Parts, Instructions, etc. | CODE | ROD | BORE | KIT # | |
| MODEL 322C | | | | | | | |
| BOOM | | | | | | | |
| DAA1-UP; FED1-UP | | | | | | | |
| 2742525 | | | P-UB-10 | 90 mm | 130 mm | CTC-2742526 | 171.26 |
| 2742525 | | | Bushing | 90 mm | | CTC-1140758 | 54.25 |
| BUCKET | | | | | | | |
| BFK1-UP; BGR1-UP; BKM1-UP; BLP1-UP | | | | | | | |
| 1772446 | | | P-UB-10 | 90 mm | 130 mm | CTC-2159986 | 171.53 |
| 1772446 | | | Bushing | 90 mm | | CTC-1140758 | 54.25 |
| 1772465 | | | P-UB-10 | 105 mm | 150 mm | CTC-1915619 | 222.49 |
| 1772465 | | | Bushing | 105 mm | | CTC-1140760 | 72.04 |
| 2478853 | | | P-UB-10 | 105 mm | 150 mm | CTC-1915619 | 222.49 |
| 2478853 | | | Bushing | 105 mm | | CTC-1140760 | 72.04 |
| BKM1-UP | | | | | | | |
| 1346987 | | | P-UB-10 | 65 mm | 100 mm | CTC-1764935 | 303.50 |
| 1346987 | | | Bushing | 65 mm | | CTC-1140754 | 32.58 |
| 2043689 | | | P-UB-10 | 85 mm | 120 mm | CTC-2479001 | 203.28 |
| 2043689 | | | Bushing | 85 mm | | CTC-0964402 | 44.04 |
| BKM1-UP; BLP1-UP | | | | | | | |
| 1772453 | | | P-UB-10 | 90 mm | 130 mm | CTC-1261887 | 529.18 |
| 1772453 | | | Bushing | 90 mm | | CTC-1052575 | 42.49 |
| 1850346 | | | P-UB-10 | 85 mm | 120 mm | CTC-1540744 | 606.55 |
| 1850346 | | | Bushing | 85 mm | | CTC-0964402 | 44.04 |
| 1915584 | | | P-UB-10 | 90 mm | 130 mm | CTC-2590626 | 192.43 |
| 1915584 | | | Bushing | 90 mm | | CTC-1052575 | 42.49 |
| 2043621 | | | P-UB-10 | 90 mm | 130 mm | CTC-2590627 | 192.43 |
| 2043621 | | | Bushing | 90 mm | | CTC-1052575 | 42.49 |
| 2043696 | | | P-UB-10 | 85 mm | 120 mm | CTC-2479000 | 203.28 |
| 2043696 | | | Bushing | 85 mm | | CTC-0964402 | 44.04 |
| 2590705 | | | P-UB-10 | 85 mm | 120 mm | CTC-2590706 | 203.28 |
| 2590705 | | | Bushing | 85 mm | | CTC-0964402 | 44.04 |
| 2590718 | | | P-UB-10 | 90 mm | 130 mm | CTC-2590719 | 194.75 |
| 2590718 | | | Bushing | 90 mm | | CTC-1052575 | 42.49 |
| 2590746 | | | P-UB-10 | 105 mm | 150 mm | CTC-2590743 | 171.76 |
| 2590746 | | | Bushing | 105 mm | | CTC-1140760 | 72.04 |
| 2897887 | | | P-UB-10 | 90 mm | 130 mm | CTC-2159986 | 171.53 |
| 2897887 | | | Bushing | 90 mm | | CTC-1140758 | 54.25 |
| BKM243-UP; BLP180-UP | | | | | | | |
| 2043617 | | | P-UB-10 | 85 mm | 120 mm | CTC-2043627 | 191.82 |
| 2043617 | | | Bushing | 85 mm | | CTC-0964402 | 44.04 |
| BPH1-UP; CAM1-UP; LAR1-UP; MZH1-UP | | | | | | | |
| 2044914 | | | P-UB-10 | 90 mm | 130 mm | CTC-2465940 | 243.32 |
| C3R1-296; CBY1-UP | | | | | | | |
| 1232044 | | | P-UB-10 | 90 mm | 130 mm | CTC-1764914 | 194.61 |
| 1232044 | | | Bushing | 90 mm | | CTC-1140758 | 54.25 |
| C3R297-UP | | | | | | | |
| 1799764 | | | P-UB-10 | 90 mm | 130 mm | CTC-2159986 | 171.53 |
| 1799764 | | | Bushing | 90 mm | | CTC-1140758 | 54.25 |
| DAA1-UP; FED1-UP | | | | | | | |
| 2742521 | | | P-UB-10 | 85 mm | 120 mm | CTC-2742511 | 161.43 |
| 2742521 | | | Bushing | 85 mm | | CTC-1140756 | 47.03 |
| 2742532 | | | P-UB-10 | 90 mm | 130 mm | CTC-2742526 | 171.26 |
| 2742532 | | | Bushing | 90 mm | | CTC-1140758 | 54.25 |
| CAB TILT | | | | | | | |
| BPH1-UP; C3R1001-UP; CAM1-UP; LAR1001-UP; LAR1-UP; MZH1-UP | | | | | | | |
| 1175148 | | | P-UB-10 | 2-1/4 | 5 | CTC-2417578 | 87.32 |
| 2632914 | | | P-UB-10 | 2-1/4 | 5 | CTC-2417578 | 87.32 |

CATERPILLAR®

REPLACEMENT KITS FOR CATERPILLAR® EQUIPMENT

| Excavators | | | | | | | |
|------------------------------------|--------------------------------|--------------------------------|------------|--------|--------|--------------|--------|
| APPLICATION | CYL # | Misc-Parts, Instructions, etc. | CODE | ROD | BORE | KIT # | |
| MODEL 322C | | | | | | | |
| GRAPPLE | | | | | | | |
| CBY1-UP | | | | | | | |
| 1504569 | | | P-UB-10 | 2-1/2 | 4 | CTC-1533724 | 293.46 |
| STICK | | | | | | | |
| BFK1-UP; BGR1-UP; BKM1-UP; BLP1-UP | | | | | | | |
| 1772443 | | | P-UB-10 | 100 mm | 140 mm | CTC-2159985 | 168.04 |
| 1772443 | | | Bushing | 100 mm | | CTC-1140757 | 66.11 |
| BKM1-UP | | | | | | | |
| 1169123 | | | P-UB-10 | 105 mm | 150 mm | CTC-1997416 | 282.84 |
| 1169123 | | | Bushing | 105 mm | | CTC-1140760 | 72.04 |
| BKM1-UP; BLP1-UP | | | | | | | |
| 1915582 | | | P-UB-10 | 100 mm | 140 mm | CTC-2590631 | 211.41 |
| 1915582 | | | Bushing | 100 mm | | CTC-0965625 | 65.58 |
| 2043620 | | | P-UB-10 | 100 mm | 140 mm | CTC-2590633 | 211.41 |
| 2043620 | | | Bushing | 100 mm | | CTC-0965625 | 65.58 |
| 2590715 | | | P-UB-10 | 100 mm | 140 mm | CTC-2590699 | 211.41 |
| 2590715 | | | Bushing | 100 mm | | CTC-0965625 | 65.58 |
| BPH1-UP; CAM1-UP; LAR1-UP; MZH1-UP | | | | | | | |
| 1772443 | | | P-UB-10 | 100 mm | 140 mm | CTC-1589093 | 168.04 |
| C3R1-UP; CBY1-UP | | | | | | | |
| 1336771 | | | P-UB-10 | 105 mm | 150 mm | CTC-1373767 | 574.46 |
| 1336771 | | | Bushing | 105 mm | | CTC-0995572 | 56.41 |
| 1433201 | | | P-UB-10 | 110 mm | 170 mm | CTC-1433201K | 329.72 |
| 1433201 | | | Bushing | 110 mm | | CTC-1140761 | 114.55 |
| CBY1-UP | | | | | | | |
| 1163638 | | | P-UB-10 | 110 mm | 170 mm | CTC-1680759 | 549.61 |
| 1163638 | | | Bushing | 110 mm | | CTC-1140761 | 114.55 |
| DAA1-UP; FED1-UP | | | | | | | |
| 2742529 | | | P-UB-10 | 100 mm | 140 mm | CTC-2742515 | 232.31 |
| 2742529 | | | Bushing | 100 mm | | CTC-1140757 | 66.11 |
| 2897884 | | | P-UB-10 | 100 mm | 140 mm | CTC-2478792 | 254.17 |
| 2897884 | | | Bushing | 100 mm | | CTC-1140757 | 66.11 |
| MODEL 322C FM LGP | | | | | | | |
| BOOM | | | | | | | |
| BYL1-UP | | | | | | | |
| 1756855 | | | P-UB-10 | 100 mm | 140 mm | CTC-2481163 | 529.78 |
| 1756855 | | | Bushing | 100 mm | | CTC-1140757 | 66.11 |
| 1772440 | | | P-UB-10 | 90 mm | 130 mm | CTC-1799772 | 283.58 |
| 1772440 | | | Bushing | 90 mm | | CTC-1140758 | 54.25 |
| BUCKET | | | | | | | |
| BYL1-UP | | | | | | | |
| 1799764 | | | P-UB-10 | 90 mm | 130 mm | CTC-2159986 | 171.53 |
| 1799764 | | | Bushing | 90 mm | | CTC-1140758 | 54.25 |
| CAB TILT | | | | | | | |
| BYL1001-UP | | | | | | | |
| 2632914 | O-ring kit. 2 per application. | | O-ring Kit | | | CTC-1143616 | 8.41 |
| 2632914 | | | P-UB-10 | 2-1/4 | 5 | CTC-2417578 | 87.32 |
| BYL1-UP | | | | | | | |
| 1175148 | O-ring kit. 2 per application. | | O-ring Kit | | | CTC-1143616 | 8.41 |
| 1175148 | | | P-UB-10 | 2-1/4 | 5 | CTC-2417578 | 87.32 |
| STICK | | | | | | | |
| BYL1-UP | | | | | | | |
| 1336771 | | | P-UB-10 | 105 mm | 150 mm | CTC-1373767 | 574.46 |
| 1336771 | | | Bushing | 105 mm | | CTC-0995572 | 56.41 |
| 1913118 | | | P-UB-10 | 110 mm | 170 mm | CTC-1913171 | 329.72 |
| 1913118 | | | Bushing | 110 mm | | CTC-1140761 | 114.55 |

REPLACEMENT KITS FOR CATERPILLAR® EQUIPMENT

| Excavators | | | | | | | |
|--|-------|--------------------------------|--------|--------|--------------|--------|--|
| APPLICATION | CYL # | Misc-Parts, Instructions, etc. | CODE | ROD | BORE | KIT # | |
| MODEL 322C L | | | | | | | |
| BOOM | | | | | | | |
| BKJ1-UP | | | | | | | |
| 1772440 | | P-UB-10 | 90 mm | 130 mm | CTC-1799772 | 283.58 | |
| 1772440 | | Bushing | 90 mm | | CTC-1140758 | 54.25 | |
| 2044910 | | P-UB-10 | 90 mm | 130 mm | CTC-2465940 | 243.32 | |
| 2044912 | | P-UB-10 | 100 mm | 140 mm | CTC-2481167 | 196.87 | |
| 2044912 | | Bushing | 100 mm | | CTC-1140757 | 66.11 | |
| BKM1-UP; BLP1-UP | | | | | | | |
| 1772440 | | P-UB-10 | 90 mm | 130 mm | CTC-2159986 | 171.53 | |
| 1772440 | | Bushing | 90 mm | | CTC-1140758 | 54.25 | |
| 1915580 | | P-UB-10 | 90 mm | 130 mm | CTC-2590625 | 219.21 | |
| 1915580 | | Bushing | 90 mm | | CTC-1052575 | 42.49 | |
| 2043619 | | P-UB-10 | 90 mm | 130 mm | CTC-2590628 | 219.21 | |
| 2043619 | | Bushing | 90 mm | | CTC-1052575 | 42.49 | |
| 2590711 | | P-UB-10 | 90 mm | 130 mm | CTC-2590712 | 221.49 | |
| 2590711 | | Bushing | 90 mm | | CTC-1052575 | 42.49 | |
| 2897878 | | P-UB-10 | 90 mm | 130 mm | CTC-2897878K | 219.93 | |
| 2897878 | | Bushing | 90 mm | | CTC-1140758 | 54.25 | |
| DAA1-UP; FED1-UP | | | | | | | |
| 2742525 | | P-UB-10 | 90 mm | 130 mm | CTC-2742526 | 171.26 | |
| 2742525 | | Bushing | 90 mm | | CTC-1140758 | 54.25 | |
| EMR1-UP; MAR1-UP | | | | | | | |
| 1772440 | | P-UB-10 | 90 mm | 130 mm | CTC-2159986 | 171.53 | |
| 1772440 | | Bushing | 90 mm | | CTC-1140758 | 54.25 | |
| 2113069 | | P-UB-10 | 100 mm | 170 mm | CTC-2519341 | 362.88 | |
| 2113069 | | Bushing | 100 mm | | CTC-1140757 | 66.11 | |
| BUCKET | | | | | | | |
| BKJ1-UP | | | | | | | |
| 1589061 | | P-U-10 | 85 mm | 120 mm | CTC-2366389 | 150.28 | |
| 1589061 | | Bushing | 85 mm | | CTC-1140756 | 47.03 | |
| 2044914 | | P-UB-10 | 90 mm | 130 mm | CTC-2465940 | 243.32 | |
| BKJ1-UP; BKM1-UP | | | | | | | |
| 1346987 | | P-UB-10 | 65 mm | 100 mm | CTC-1764935 | 303.50 | |
| 1346987 | | Bushing | 65 mm | | CTC-1140754 | 32.58 | |
| BKJ1-UP; BKM1-UP; BLP1-UP; EMR1-UP; MAR1-UP | | | | | | | |
| 1772446 | | P-UB-10 | 90 mm | 130 mm | CTC-2159986 | 171.53 | |
| 1772446 | | Bushing | 90 mm | | CTC-1140758 | 54.25 | |
| 1772465 | | P-UB-10 | 105 mm | 150 mm | CTC-1915619 | 222.49 | |
| 1772465 | | Bushing | 105 mm | | CTC-1140760 | 72.04 | |
| BKM1-UP | | | | | | | |
| 2043689 | | P-UB-10 | 85 mm | 120 mm | CTC-2479001 | 203.28 | |
| 2043689 | | Bushing | 85 mm | | CTC-0964402 | 44.04 | |

REPLACEMENT KITS FOR CATERPILLAR® EQUIPMENT

| Excavators | | | | | | |
|---|-------|--------------------------------|--------|--------|-------------|--------|
| APPLICATION | CYL # | Misc-Parts, Instructions, etc. | CODE | ROD | BORE | KIT # |
| MODEL 322C L | | | | | | |
| BUCKET | | | | | | |
| BKM1-UP; BLP1-UP | | | | | | |
| 1772453 | | P-UB-10 | 90 mm | 130 mm | CTC-1261887 | 529.18 |
| 1772453 | | Bushing | 90 mm | | CTC-1052575 | 42.49 |
| 1850346 | | P-UB-10 | 85 mm | 120 mm | CTC-1540744 | 606.55 |
| 1850346 | | Bushing | 85 mm | | CTC-0964402 | 44.04 |
| 1915584 | | P-UB-10 | 90 mm | 130 mm | CTC-2590626 | 192.43 |
| 1915584 | | Bushing | 90 mm | | CTC-1052575 | 42.49 |
| 2043621 | | P-UB-10 | 90 mm | 130 mm | CTC-2590627 | 192.43 |
| 2043621 | | Bushing | 90 mm | | CTC-1052575 | 42.49 |
| 2043696 | | P-UB-10 | 85 mm | 120 mm | CTC-2479000 | 203.28 |
| 2043696 | | Bushing | 85 mm | | CTC-0964402 | 44.04 |
| 2590705 | | P-UB-10 | 85 mm | 120 mm | CTC-2590706 | 203.28 |
| 2590705 | | Bushing | 85 mm | | CTC-0964402 | 44.04 |
| 2590718 | | P-UB-10 | 90 mm | 130 mm | CTC-2590719 | 194.75 |
| 2590718 | | Bushing | 90 mm | | CTC-1052575 | 42.49 |
| 2590746 | | P-UB-10 | 105 mm | 150 mm | CTC-2590743 | 171.76 |
| 2590746 | | Bushing | 105 mm | | CTC-1140760 | 72.04 |
| 2897887 | | P-UB-10 | 90 mm | 130 mm | CTC-2159986 | 171.53 |
| 2897887 | | Bushing | 90 mm | | CTC-1140758 | 54.25 |
| BKM1-UP; BLP1-UP; EMR1-UP; MAR1-UP | | | | | | |
| 2478853 | | P-UB-10 | 105 mm | 150 mm | CTC-1915619 | 222.49 |
| 2478853 | | Bushing | 105 mm | | CTC-1140760 | 72.04 |
| BKM243-UP; BLP180-UP | | | | | | |
| 2043617 | | P-UB-10 | 85 mm | 120 mm | CTC-2043627 | 191.82 |
| 2043617 | | Bushing | 85 mm | | CTC-0964402 | 44.04 |
| DAA1-UP; FED1-UP | | | | | | |
| 2742521 | | P-UB-10 | 85 mm | 120 mm | CTC-2742511 | 161.43 |
| 2742521 | | Bushing | 85 mm | | CTC-1140756 | 47.03 |
| 2742532 | | P-UB-10 | 90 mm | 130 mm | CTC-2742526 | 171.26 |
| 2742532 | | Bushing | 90 mm | | CTC-1140758 | 54.25 |
| HEK1-UP | | | | | | |
| 1709808 | | P-UB-10 | 65 mm | 100 mm | CTC-1709941 | 177.94 |
| 1709808 | | Bushing | 65 mm | | CTC-1140754 | 32.58 |
| QUICK COUPLER | | | | | | |
| BKJ1-UP | | | | | | |
| 1728402 | | I-U-10 | 50 mm | 70 mm | CTC-1728487 | 74.76 |
| STICK | | | | | | |
| BKJ1-UP | | | | | | |
| 1169123 | | P-UB-10 | 105 mm | 150 mm | CTC-1997416 | 282.84 |
| 1169123 | | Bushing | 105 mm | | CTC-1140760 | 72.04 |
| 1772443 | | P-UB-10 | 100 mm | 140 mm | CTC-1589093 | 168.04 |
| BKM1-UP | | | | | | |
| 1169123 | | P-UB-10 | 105 mm | 150 mm | CTC-1997416 | 282.84 |
| 1169123 | | Bushing | 105 mm | | CTC-1140760 | 72.04 |
| BKM1-UP; BLP1-UP | | | | | | |
| 1915582 | | P-UB-10 | 100 mm | 140 mm | CTC-2590631 | 211.41 |
| 1915582 | | Bushing | 100 mm | | CTC-0965625 | 65.58 |
| 2043620 | | P-UB-10 | 100 mm | 140 mm | CTC-2590633 | 211.41 |
| 2043620 | | Bushing | 100 mm | | CTC-0965625 | 65.58 |
| 2590715 | | P-UB-10 | 100 mm | 140 mm | CTC-2590699 | 211.41 |
| 2590715 | | Bushing | 100 mm | | CTC-0965625 | 65.58 |
| BKM1-UP; BLP1-UP; EMR1-UP; MAR1-UP | | | | | | |
| 1772443 | | P-UB-10 | 100 mm | 140 mm | CTC-2159985 | 168.04 |
| 1772443 | | Bushing | 100 mm | | CTC-1140757 | 66.11 |

REPLACEMENT KITS FOR CATERPILLAR® EQUIPMENT

| Excavators | | | | | | |
|------------------------------------|-------|--------------------------------|---------|--------|--------|--------------------|
| APPLICATION | CYL # | Misc-Parts, Instructions, etc. | CODE | ROD | BORE | KIT # |
| MODEL 322C L | | | | | | |
| STICK | | | | | | |
| DAA1-UP; EMR1-UP; FED1-UP; MAR1-UP | | | | | | |
| 2897884 | | | P-UB-10 | 100 mm | 140 mm | CTC-2478792 254.17 |
| 2897884 | | | Bushing | 100 mm | | CTC-1140757 66.11 |
| DAA1-UP; FED1-UP | | | | | | |
| 2742529 | | | P-UB-10 | 100 mm | 140 mm | CTC-2742515 232.31 |
| 2742529 | | | Bushing | 100 mm | | CTC-1140757 66.11 |
| HEK1-UP | | | | | | |
| 2166607 | | | P-UB-10 | 105 mm | 150 mm | CTC-1915619 222.49 |
| 2166607 | | | Bushing | 105 mm | | CTC-1140760 72.04 |
| MODEL 322C LN | | | | | | |
| BOOM | | | | | | |
| BFK1-UP; BGR1-UP | | | | | | |
| 6C9407 | | | P-UB-10 | 100 mm | 170 mm | CTC-2330763 308.25 |
| 6C9407 | | | Bushing | 100 mm | | CTC-1140757 66.11 |
| BFK1-UP; BGR1-UP; EMR1-UP; MAR1-UP | | | | | | |
| 1772440 | | | P-UB-10 | 90 mm | 130 mm | CTC-2159986 171.53 |
| 1772440 | | | Bushing | 90 mm | | CTC-1140758 54.25 |
| EMR1-UP; MAR1-UP | | | | | | |
| 2113069 | | | P-UB-10 | 100 mm | 170 mm | CTC-2519341 362.88 |
| 2113069 | | | Bushing | 100 mm | | CTC-1140757 66.11 |
| BUCKET | | | | | | |
| BFK1-UP; BGR1-UP; EMR1-UP; MAR1-UP | | | | | | |
| 1772446 | | | P-UB-10 | 90 mm | 130 mm | CTC-2159986 171.53 |
| 1772446 | | | Bushing | 90 mm | | CTC-1140758 54.25 |
| 1772465 | | | P-UB-10 | 105 mm | 150 mm | CTC-1915619 222.49 |
| 1772465 | | | Bushing | 105 mm | | CTC-1140760 72.04 |
| 2478853 | | | P-UB-10 | 105 mm | 150 mm | CTC-1915619 222.49 |
| 2478853 | | | Bushing | 105 mm | | CTC-1140760 72.04 |
| STICK | | | | | | |
| BFK1-UP; BGR1-UP; EMR1-UP; MAR1-UP | | | | | | |
| 1772443 | | | P-UB-10 | 100 mm | 140 mm | CTC-2159985 168.04 |
| 1772443 | | | Bushing | 100 mm | | CTC-1140757 66.11 |
| EMR1-UP; MAR1-UP | | | | | | |
| 2897884 | | | P-UB-10 | 100 mm | 140 mm | CTC-2478792 254.17 |
| 2897884 | | | Bushing | 100 mm | | CTC-1140757 66.11 |
| MODEL 322L | | | | | | |
| BOOM | | | | | | |
| 1052571 | | | P-UB-10 | 90 mm | 130 mm | CTC-1052585 398.28 |
| 1052588 | | | P-UB-10 | 100 mm | 140 mm | CTC-1270630 443.61 |
| 711345 | | | P-UB-10 | 90 mm | 130 mm | CTC-711360 406.89 |
| BUCKET | | | | | | |
| 1052597 | | | P-UB-10 | 85 mm | 130 mm | CTC-1052601 594.43 |
| 717291 | | | P-UB-10 | 85 mm | 130 mm | CTC-7Y5145 366.57 |
| 7Y5100 | | | P-UB-10 | 85 mm | 130 mm | CTC-7Y5145 366.57 |
| 7Y5150 | | | P-UB-10 | 105 mm | 150 mm | CTC-1163612 413.90 |
| 875633 | | | P-UB-10 | 85 mm | 120 mm | CTC-0875394 354.94 |
| STICK | | | | | | |
| 717341 | | | P-UB-10 | 100 mm | 140 mm | CTC-0875387 468.63 |
| MODEL 322N | | | | | | |
| BOOM | | | | | | |
| 711345 | | | P-UB-10 | 90 mm | 130 mm | CTC-711360 406.89 |
| BUCKET | | | | | | |
| 717291 | | | P-UB-10 | 85 mm | 130 mm | CTC-7Y5145 366.57 |
| 7Y5100 | | | P-UB-10 | 85 mm | 130 mm | CTC-7Y5145 366.57 |
| 7Y5150 | | | P-UB-10 | 105 mm | 150 mm | CTC-1163612 413.90 |

REPLACEMENT KITS FOR CATERPILLAR® EQUIPMENT

| Excavators | | | | | | | |
|---|---------|--------------------------------|---------------|--------|--------|--------------|--------|
| APPLICATION | CYL # | Misc-Parts, Instructions, etc. | CODE | ROD | BORE | KIT # | |
| MODEL 322N | | | | | | | |
| STICK | | | | | | | |
| | 717341 | | P-UB-10 | 100 mm | 140 mm | CTC-0875387 | 468.63 |
| MODEL 323F L | | | | | | | |
| BOOM | | | | | | | |
| XCF1-UP | | | | | | | |
| | 3412790 | | P-UB-10 | 85 mm | 120 mm | CTC-4560197 | 185.55 |
| | 3412790 | | Bushing | 85 mm | | CTC-0964402 | 44.04 |
| YEJ1-UP | | | | | | | |
| | 3319283 | | P-UB-10 | 90 mm | 125 mm | CTC-4560198 | 199.17 |
| | 3319283 | | Bushing | 90 mm | | CTC-1052575 | 42.49 |
| BUCKET | | | | | | | |
| XCF1-UP | | | | | | | |
| | 3852834 | | P-UB-14 | 70 mm | 100 mm | CTC-3904227 | 306.68 |
| | 3852834 | | Bushing | 70 mm | | CTC-3904158 | 31.10 |
| XCF1-UP; YEJ1-UP | | | | | | | |
| | 3412814 | | P-UB-10 | 85 mm | 120 mm | CTC-4560207 | 180.45 |
| | 3412814 | | Bushing | 85 mm | | CTC-0964402 | 44.04 |
| | 3568788 | | P-UB-10 | 85 mm | 120 mm | CTC-3979294 | 200.51 |
| | 3568788 | | Bushing | 85 mm | | CTC-1140756 | 47.03 |
| BUCKET LH | | | | | | | |
| XCF1-UP; YEJ1-UP | | | | | | | |
| | 4699342 | | P-U-10 | 50 mm | 80 mm | CTC-5016702 | 104.94 |
| BUCKET RH | | | | | | | |
| XCF1-UP; YEJ1-UP | | | | | | | |
| | 4699353 | | P-U-10 | 50 mm | 80 mm | CTC-5016702 | 104.94 |
| COUPLER | | | | | | | |
| XCF1-UP; YEJ1-UP | | | | | | | |
| | 3909505 | | I-U-10 | 1-1/2 | 2-1/2 | CTC-4536523 | 21.00 |
| STICK | | | | | | | |
| XCF1-UP | | | | | | | |
| | 3412177 | | P-UB-10 | 105 mm | 150 mm | CTC-4560205 | 307.70 |
| | 3412177 | | Bushing | 105 mm | | CTC-0995572 | 56.41 |
| XCF1-UP; YEJ1-UP | | | | | | | |
| | 3412802 | | P-UB-10 | 100 mm | 140 mm | CTC-4560202 | 257.32 |
| | 3412802 | | Bushing | 100 mm | | CTC-0965625 | 65.58 |
| TRACK ADJUSTER | | | | | | | |
| XCF1-UP; YEJ1-UP | | | | | | | |
| | 2394390 | | TRK ADJ | | | CTC-SK100110 | 61.23 |
| MODEL 324D L | | | | | | | |
| BOOM | | | | | | | |
| BTK1-UP; JJG1-UP; LAB1-UP; PYT1-UP; SYM1-UP | | | | | | | |
| | 2897957 | | P-UB-10 | 95 mm | 135 mm | CTC-2344488 | 196.26 |
| | 2897957 | | Bushing | 95 mm | | CTC-1289260 | 56.30 |
| DFP1-UP; JAT1-UP | | | | | | | |
| | 2667981 | | P-UB-10 | 95 mm | 135 mm | CTC-2668013 | 234.56 |
| | 2667981 | | Bushing | 95 mm | | CTC-0964430 | 47.85 |
| | 2667981 | | Link Pin Seal | 90 mm | | CTC-1661495 | 40.12 |
| | 2667981 | | Link Pin Seal | 90 mm | | CTC-7X4803 | 40.12 |
| DFP1-UP; JAT1-UP; PYT1-UP | | | | | | | |
| | 2426858 | | P-UB-10 | 95 mm | 135 mm | CTC-2590665 | 234.56 |
| | 2426858 | | Bushing | 95 mm | | CTC-0964430 | 47.85 |
| | 2426858 | | Link Pin Seal | 90 mm | | CTC-1661495 | 40.12 |
| | 2426858 | | Link Pin Seal | 90 mm | | CTC-7X4803 | 40.12 |
| | 2426862 | | P-UB-10 | 100 mm | 140 mm | CTC-2478974 | 270.03 |
| | 2426862 | | Bushing | 100 mm | | CTC-0965625 | 65.58 |

REPLACEMENT KITS FOR CATERPILLAR® EQUIPMENT

| Excavators | | | | | | |
|---|-------|--------------------------------|---------------|--------|--------|--------------------|
| APPLICATION | CYL # | Misc-Parts, Instructions, etc. | CODE | ROD | BORE | KIT # |
| MODEL 324D L | | | | | | |
| BOOM | | | | | | |
| DFP1-UP; JAT1-UP; PYT1-UP; TSN1-UP | | | | | | |
| 2426867 | | | P-UB-10 | 95 mm | 135 mm | CTC-2590774 227.74 |
| 2426867 | | | Bushing | 95 mm | | CTC-0964430 47.85 |
| 2426867 | | | Link Pin Seal | 90 mm | | CTC-1661495 40.12 |
| 2426867 | | | Link Pin Seal | 90 mm | | CTC-7X4803 40.12 |
| JJG1-UP; LAB1-UP; SYM1-UP | | | | | | |
| 2426849 | | | P-UB-10 | 95 mm | 135 mm | CTC-2344488 196.26 |
| 2426849 | | | Bushing | 95 mm | | CTC-1289260 56.30 |
| BUCKET | | | | | | |
| BTK1-UP; JJG1-UP; LAB1-UP; PYT1-UP; SYM1-UP | | | | | | |
| 2897975 | | | P-UB-10 | 90 mm | 130 mm | CTC-2159986 171.53 |
| 2897975 | | | Bushing | 90 mm | | CTC-1140758 54.25 |
| 3154451 | | | P-UB-10 | 105 mm | 150 mm | CTC-1915619 222.49 |
| 3154451 | | | Bushing | 105 mm | | CTC-1140760 72.04 |
| DFP1-UP | | | | | | |
| 3494134 | | | P-UB-10 | 85 mm | 120 mm | CTC-3500967 312.12 |
| 3494134 | | | Bushing | 85 mm | | CTC-0964402 44.04 |
| DFP1-UP; JAT1-UP | | | | | | |
| 2667985 | | | P-UB-10 | 90 mm | 130 mm | CTC-2668014 561.53 |
| 2667985 | | | Bushing | 90 mm | | CTC-1052575 42.49 |
| 2897699 | | | P-UB-10 | 70 mm | 100 mm | CTC-2836179 266.41 |
| 2897699 | | | Bushing | 70 mm | | CTC-1140753 37.46 |
| DFP1-UP; JAT1-UP; PYT1-UP | | | | | | |
| 2426756 | | | P-UB-10 | 85 mm | 120 mm | CTC-2478888 187.94 |
| 2426756 | | | Bushing | 85 mm | | CTC-0964402 44.04 |
| 2426759 | | | P-UB-10 | 85 mm | 120 mm | CTC-2667892 187.94 |
| 2426759 | | | Bushing | 85 mm | | CTC-0964402 44.04 |
| 2426864 | | | P-UB-10 | 90 mm | 130 mm | CTC-2590678 178.59 |
| 2426864 | | | Bushing | 90 mm | | CTC-1052575 42.49 |
| DFP1-UP; JAT1-UP; PYT1-UP; SYM1-UP | | | | | | |
| 3154442 | | | P-UB-10 | 105 mm | 150 mm | CTC-1915619 222.49 |
| 3154442 | | | Bushing | 105 mm | | CTC-1140760 72.04 |
| DFP1-UP; JAT1-UP; PYT1-UP; TSN1-UP | | | | | | |
| 2426871 | | | P-UB-10 | 90 mm | 130 mm | CTC-2590776 417.26 |
| 2426871 | | | Bushing | 90 mm | | CTC-1052575 42.49 |
| 3154449 | | | P-UB-10 | 105 mm | 150 mm | CTC-2502475 186.64 |
| 3154449 | | | Bushing | 105 mm | | CTC-1140760 72.04 |
| DFP1-UP; JJG1-UP | | | | | | |
| 2487855 | | | P-UB-10 | 65 mm | 100 mm | CTC-1709941 177.94 |
| 2487855 | | | Bushing | 65 mm | | CTC-1140754 32.58 |
| 2836118 | | | P-UB-10 | 65 mm | 100 mm | CTC-1709941 177.94 |
| 2836118 | | | Bushing | 65 mm | | CTC-1140754 32.58 |
| JJG1-UP | | | | | | |
| 2426767 | | | P-UB-10 | 85 mm | 120 mm | CTC-2478790 150.28 |
| 2426767 | | | Bushing | 85 mm | | CTC-1140756 47.03 |
| JJG1-UP; LAB1-UP; SYM1-UP | | | | | | |
| 2426855 | | | P-UB-10 | 90 mm | 130 mm | CTC-2159986 171.53 |
| 2426855 | | | Bushing | 90 mm | | CTC-1140758 54.25 |
| 2898012 | | | P-UB-10 | 105 mm | 150 mm | CTC-1915619 222.49 |
| 2898012 | | | Bushing | 105 mm | | CTC-1140760 72.04 |
| JJG1-UP; PYT1-UP | | | | | | |
| 2897948 | | | P-UB-10 | 85 mm | 120 mm | CTC-2478790 150.28 |
| 2897948 | | | Bushing | 85 mm | | CTC-1140756 47.03 |

REPLACEMENT KITS FOR CATERPILLAR® EQUIPMENT

| Excavators | | | | | | | |
|--------------------------------------|-------|--------------------------------|-----------|--------|--------|-------------|--------|
| APPLICATION | CYL # | Misc-Parts, Instructions, etc. | CODE | ROD | BORE | KIT # | |
| MODEL 324D L | | | | | | | |
| BUCKET | | | | | | | |
| JJG1-UP; SYM1-UP | | | | | | | |
| 2254581 | | | P-UB-10 | 105 mm | 150 mm | CTC-1915619 | 222.49 |
| 2254581 | | | Bushing | 105 mm | | CTC-1140760 | 72.04 |
| PYT1-UP | | | | | | | |
| 2898086 | | | P-UB-10 | 70 mm | 100 mm | CTC-2836179 | 266.41 |
| 2898086 | | | Bushing | 70 mm | | CTC-1140753 | 37.46 |
| CAB RISER | | | | | | | |
| DFP1-UP | | | | | | | |
| 2358287 | | | P-UB-14 | 60 mm | 90 mm | CTC-1697827 | 283.54 |
| 2358287 | | | Bushing | 60 mm | | CTC-1140751 | 30.71 |
| COUPLER | | | | | | | |
| BTK1-UP; SYM1-UP | | | | | | | |
| 1690753 | | | P-U-5 | 40 mm | 70 mm | CTC-2191322 | 47.37 |
| SYM1-UP | | | | | | | |
| 1690329 | | | I-U-5 | 40 mm | 60 mm | CTC-2027897 | 56.71 |
| FORE BOOM | | | | | | | |
| SYM1-UP | | | | | | | |
| 2798111 | | | P-UB-10 | 100 mm | 170 mm | CTC-2519341 | 362.88 |
| 2798111 | | | Bushing | 100 mm | | CTC-1140757 | 66.11 |
| STICK | | | | | | | |
| BTK1-UP; JJG270-UP; LAB1-UP; SYM1-UP | | | | | | | |
| 2897967 | | | P-UB-10 | 100 mm | 140 mm | CTC-2478792 | 254.17 |
| 2897967 | | | Bushing | 100 mm | | CTC-1140757 | 66.11 |
| DFP1-UP; JAT1-UP | | | | | | | |
| 2667983 | | | P-UB-10 | 100 mm | 140 mm | CTC-2668012 | 270.03 |
| 2667983 | | | Bushing | 100 mm | | CTC-0965625 | 65.58 |
| DFP1-UP; JAT1-UP; JJG1-UP; PYT-UP | | | | | | | |
| 2166607 | | | P-UB-10 | 105 mm | 150 mm | CTC-1915619 | 222.49 |
| 2166607 | | | Bushing | 105 mm | | CTC-1140760 | 72.04 |
| DFP1-UP; JAT1-UP; PYT1-UP | | | | | | | |
| 2426860 | | | P-UB-10 | 100 mm | 140 mm | CTC-2478878 | 270.03 |
| 2426860 | | | Bushing | 100 mm | | CTC-0965625 | 65.58 |
| DFP1-UP; JAT1-UP; PYT1-UP; TSN1-UP | | | | | | | |
| 2426869 | | | P-UB-10 | 100 mm | 140 mm | CTC-2590775 | 270.03 |
| 2426869 | | | Bushing | 100 mm | | CTC-0965625 | 65.58 |
| JJG1-UP; LAB1-UP; SYM1-UP | | | | | | | |
| 2426852 | | | P-UB-10 | 100 mm | 140 mm | CTC-2478792 | 254.17 |
| 2426852 | | | Bushing | 100 mm | | CTC-1140757 | 66.11 |
| MODEL 324E | | | | | | | |
| BOOM | | | | | | | |
| JCZ1-UP | | | | | | | |
| 3408939 | | | P-UB-10 | 95 mm | 135 mm | CTC-4560199 | 233.83 |
| 3408939 | | | Bushing | 95 mm | | CTC-0964430 | 47.85 |
| BUCKET | | | | | | | |
| JCZ1-UP | | | | | | | |
| 3408949 | | | P-UB-10 | 90 mm | 130 mm | CTC-4560208 | 301.65 |
| 3408949 | | | Bushing | 90 mm | | CTC-1052575 | 42.49 |
| 3579766 | | | P-UB-10 | 105 mm | 150 mm | CTC-3249485 | 257.86 |
| 3579766 | | | Bushing | 105 mm | | CTC-1140760 | 72.04 |
| COUPLER | | | | | | | |
| JCZ1-UP | | | | | | | |
| 2948011 | | | P-U-10,12 | 2 | 3-1/2 | CTC-3460643 | 60.25 |

REPLACEMENT KITS FOR CATERPILLAR® EQUIPMENT

| Excavators | | | | | | | |
|---------------------------|------------|--------------------------------|-----------|--------|--------|--------------|--------|
| APPLICATION | CYL # | Misc-Parts, Instructions, etc. | CODE | ROD | BORE | KIT # | |
| MODEL 324E | | | | | | | |
| STICK | | | | | | | |
| JCZ1-UP | | | | | | | |
| 3408944 | | | P-UB-10 | 100 mm | 140 mm | CTC-4560204 | 247.00 |
| 3408944 | | | Bushing | 100 mm | | CTC-0965625 | 65.58 |
| TRACK ADJUSTER | | | | | | | |
| JCZ1-UP | | | | | | | |
| 2394373 | | | TRK ADJ | | | CTC-SK100161 | 100.73 |
| MODEL 324E L | | | | | | | |
| BOOM | | | | | | | |
| KTE1-UP; PNW1-UP; TLF1-UP | | | | | | | |
| 3408939 | | | P-UB-10 | 95 mm | 135 mm | CTC-4560199 | 233.83 |
| 3408939 | | | Bushing | 95 mm | | CTC-0964430 | 47.85 |
| BUCKET | | | | | | | |
| KTE1-UP; PNW1-UP | | | | | | | |
| 3852834 | | | P-UB-14 | 70 mm | 100 mm | CTC-3904227 | 306.68 |
| 3852834 | | | Bushing | 70 mm | | CTC-3904158 | 31.10 |
| KTE1-UP; PNW1-UP; TLF1-UP | | | | | | | |
| 3408949 | | | P-UB-10 | 90 mm | 130 mm | CTC-4560208 | 301.65 |
| 3408949 | | | Bushing | 90 mm | | CTC-1052575 | 42.49 |
| 3579766 | | | P-UB-10 | 105 mm | 150 mm | CTC-3249485 | 257.86 |
| 3579766 | | | Bushing | 105 mm | | CTC-1140760 | 72.04 |
| 3582108 | | | P-UB-10 | 70 mm | 100 mm | CTC-3494121 | 255.14 |
| 3582108 | | | Bushing | 70 mm | | CTC-1140753 | 37.46 |
| PNW1-UP; TLF1-UP | | | | | | | |
| 3566515 | | | P-UB-10 | 95 mm | 135 mm | CTC-3979295 | 336.69 |
| 3566515 | | | Bushing | 95 mm | | CTC-1289260 | 56.30 |
| COUPLER | | | | | | | |
| KTE1-UP; PNW1-UP; TLF1-UP | | | | | | | |
| 2948011 | | | P-U-10,12 | 2 | 3-1/2 | CTC-3460643 | 60.25 |
| COUPLER LOCK | | | | | | | |
| TLF1-UP | | | | | | | |
| 1690753 | | | P-U-5 | 40 mm | 70 mm | CTC-2191322 | 47.37 |
| FORE BOOM | | | | | | | |
| TLF1-UP | | | | | | | |
| 2798111 | | | P-UB-10 | 100 mm | 170 mm | CTC-2519341 | 362.88 |
| 2798111 | | | Bushing | 100 mm | | CTC-1140757 | 66.11 |
| STICK | | | | | | | |
| KTE1-UP; PNW1-UP; TLF1-UP | | | | | | | |
| 2166607 | Type 1 | | P-UB-10 | 105 mm | 150 mm | CTC-1915619 | 222.49 |
| 2166607 | Type 2 | | P-UB-10 | 105 mm | 150 mm | CTC-3249485 | 257.86 |
| 2166607 | Type 1 & 2 | | Bushing | 105 mm | | CTC-1140760 | 72.04 |
| 3408944 | | | P-UB-10 | 100 mm | 140 mm | CTC-4560204 | 247.00 |
| 3408944 | | | Bushing | 100 mm | | CTC-0965625 | 65.58 |
| PNW1-UP; TLF1-UP | | | | | | | |
| 3408947 | | | P-UB-10 | 100 mm | 140 mm | CTC-4560204 | 247.00 |
| 3408947 | | | Bushing | 100 mm | | CTC-0965625 | 65.58 |
| TRACK ADJUSTER | | | | | | | |
| KTE1-UP; PNW1-UP; TLF1-UP | | | | | | | |
| 2394373 | | | TRK ADJ | | | CTC-SK100161 | 100.73 |
| MODEL 324E LN | | | | | | | |
| BOOM | | | | | | | |
| LDG1-UP | | | | | | | |
| 3408939 | | | P-UB-10 | 95 mm | 135 mm | CTC-4560199 | 233.83 |
| 3408939 | | | Bushing | 95 mm | | CTC-0964430 | 47.85 |

CATERPILLAR®

REPLACEMENT KITS FOR CATERPILLAR® EQUIPMENT

| Excavators | | | | | | | |
|--------------------------|------------|--------------------------------|-----------|--------|--------|--------------|--------|
| APPLICATION | CYL # | Misc-Parts, Instructions, etc. | CODE | ROD | BORE | KIT # | |
| MODEL 324E LN | | | | | | | |
| BUCKET | | | | | | | |
| LDG1-UP | | | | | | | |
| 3408949 | | | P-UB-10 | 90 mm | 130 mm | CTC-4560208 | 301.65 |
| 3408949 | | | Bushing | 90 mm | | CTC-1052575 | 42.49 |
| 3566515 | | | P-UB-10 | 95 mm | 135 mm | CTC-3979295 | 336.69 |
| 3566515 | | | Bushing | 95 mm | | CTC-1289260 | 56.30 |
| 3579766 | | | P-UB-10 | 105 mm | 150 mm | CTC-3249485 | 257.86 |
| 3579766 | | | Bushing | 105 mm | | CTC-1140760 | 72.04 |
| COUPLER | | | | | | | |
| LDG1-UP | | | | | | | |
| 2948011 | | | P-U-10,12 | 2 | 3-1/2 | CTC-3460643 | 60.25 |
| COUPLER LOCK | | | | | | | |
| LDG1-UP | | | | | | | |
| 1690753 | | | P-U-5 | 40 mm | 70 mm | CTC-2191322 | 47.37 |
| FORE BOOM | | | | | | | |
| LDG1-UP | | | | | | | |
| 2798111 | | | P-UB-10 | 100 mm | 170 mm | CTC-2519341 | 362.88 |
| 2798111 | | | Bushing | 100 mm | | CTC-1140757 | 66.11 |
| STICK | | | | | | | |
| LDG1-UP | | | | | | | |
| 2166607 | Type 1 | | P-UB-10 | 105 mm | 150 mm | CTC-1915619 | 222.49 |
| 2166607 | Type 2 | | P-UB-10 | 105 mm | 150 mm | CTC-3249485 | 257.86 |
| 2166607 | Type 1 & 2 | | Bushing | 105 mm | | CTC-1140760 | 72.04 |
| 3408944 | | | P-UB-10 | 100 mm | 140 mm | CTC-4560204 | 247.00 |
| 3408944 | | | Bushing | 100 mm | | CTC-0965625 | 65.58 |
| 3408947 | | | P-UB-10 | 100 mm | 140 mm | CTC-4560204 | 247.00 |
| 3408947 | | | Bushing | 100 mm | | CTC-0965625 | 65.58 |
| TRACK ADJUSTER | | | | | | | |
| LDG1-UP | | | | | | | |
| 2394373 | | | TRK ADJ | | | CTC-SK100161 | 100.73 |
| MODEL 325B, 325BL | | | | | | | |
| BOOM | | | | | | | |
| 1077040 | | | P-UB-10 | 100 mm | 140 mm | CTC-1373766 | 424.92 |
| 1140636 | | | P-UB-10 | 100 mm | 140 mm | CTC-1184024 | 443.61 |
| 1169123 | | | P-UB-10 | 105 mm | 150 mm | CTC-1163612 | 413.90 |
| 1232081 | | | P-UB-10 | 105 mm | 150 mm | CTC-1373767 | 574.46 |
| 1540760 | | | P-UB-10 | 100 mm | 140 mm | CTC-1540761 | 524.30 |
| BUCKET | | | | | | | |
| 1183921 | | | P-UB-10 | 105 mm | 150 mm | CTC-1163612 | 413.90 |
| 1183921 | | | P-UB-10 | 105 mm | 150 mm | CTC-1680758 | 465.24 |
| 1184134 | | | P-UB-10 | 85 mm | 120 mm | CTC-1184131 | 342.72 |
| 1232044 | | | P-UB-10 | 90 mm | 130 mm | CTC-1184175 | 404.99 |
| 1232044 | 325BL Only | | P-UB-10 | 90 mm | 130 mm | CTC-1764914 | 194.61 |
| 1232084 | | | P-UB-10 | 90 mm | 130 mm | CTC-1373768 | 604.17 |
| 1336810 | | | P-UB-10 | 105 mm | 150 mm | CTC-1289277 | 504.68 |
| 1497610 | | | P-UB-10 | 90 mm | 130 mm | CTC-1184175 | 404.99 |
| 1540756 | | | P-UB-10 | 90 mm | 130 mm | CTC-1540757 | 615.01 |
| 1540772 | | | P-UB-10 | 90 mm | 130 mm | CTC-1540773 | 614.58 |
| 411726 | | | P-UB-10 | 110 mm | 160 mm | CTC-0876654 | 437.78 |
| 417652 | | | P-UB-10 | 65 mm | 100 mm | CTC-417664 | 280.46 |
| 418840 | | | P-UB-10 | 65 mm | 100 mm | CTC-418914 | 280.34 |

REPLACEMENT KITS FOR CATERPILLAR® EQUIPMENT

| Excavators | | | | | | | |
|---|---------|--------------------------------|---------|--------|--------|-------------|--------|
| APPLICATION | CYL # | Misc-Parts, Instructions, etc. | CODE | ROD | BORE | KIT # | |
| MODEL 325B, 325BL | | | | | | | |
| STICK | | | | | | | |
| | 0875375 | | P-UB-10 | 130 mm | 180 mm | CTC-0875407 | 546.07 |
| | 1163638 | | P-UB-10 | 110 mm | 170 mm | CTC-1680759 | 549.61 |
| | 1184000 | | P-UB-10 | 105 mm | 150 mm | CTC-1163612 | 413.90 |
| | 1184000 | | P-UB-10 | 105 mm | 150 mm | CTC-1680758 | 465.24 |
| | 1232081 | | P-UB-10 | 105 mm | 150 mm | CTC-1373767 | 574.46 |
| | 1479427 | | P-UB-10 | 105 mm | 150 mm | CTC-1680758 | 465.24 |
| | 1540765 | | P-UB-10 | 105 mm | 150 mm | CTC-1540766 | 538.28 |
| | 7Y4650 | | P-UB-10 | 105 mm | 150 mm | CTC-7Y4698 | 455.25 |
| MODEL 325C | | | | | | | |
| BOOM | | | | | | | |
| AMH1-UP; BKW1-UP; BMM1-UP; BTD1-UP | | | | | | | |
| | 2096006 | | P-UB-10 | 100 mm | 140 mm | CTC-2590634 | 207.45 |
| | 2096006 | | Bushing | 100 mm | | CTC-0965625 | 65.58 |
| BKW1-UP; BMM1-UP | | | | | | | |
| | 1799789 | | P-UB-10 | 100 mm | 140 mm | CTC-1336823 | 440.47 |
| | 1799789 | | Bushing | 100 mm | | CTC-0965625 | 65.58 |
| | 1915587 | | P-UB-10 | 100 mm | 140 mm | CTC-2590632 | 207.45 |
| | 1915587 | | Bushing | 100 mm | | CTC-0965625 | 65.58 |
| | 2590724 | | P-UB-10 | 100 mm | 140 mm | CTC-2590725 | 207.45 |
| | 2590724 | | Bushing | 100 mm | | CTC-0965625 | 65.58 |
| JLC1-UP | | | | | | | |
| | 2033906 | | P-UB-10 | 105 mm | 150 mm | CTC-1915619 | 222.49 |
| | 2033906 | | Bushing | 105 mm | | CTC-1140760 | 72.04 |
| JLC1-UP; JLD1-UP | | | | | | | |
| | 1799782 | | P-UB-10 | 100 mm | 140 mm | CTC-2159985 | 168.04 |
| | 1799782 | | Bushing | 100 mm | | CTC-1140757 | 66.11 |
| | 1915548 | | P-UB-10 | 105 mm | 150 mm | CTC-1915619 | 222.49 |
| | 1915548 | | Bushing | 105 mm | | CTC-1140760 | 72.04 |
| | 2113069 | | P-UB-10 | 100 mm | 170 mm | CTC-2519341 | 362.88 |
| | 2113069 | | Bushing | 100 mm | | CTC-1140757 | 66.11 |
| | 2502419 | | P-UB-10 | 105 mm | 150 mm | CTC-2426840 | 240.72 |
| | 2502419 | | Bushing | 105 mm | | CTC-1140760 | 72.04 |
| BUCKET | | | | | | | |
| AMH1-UP; BKW1-UP; BMM1-UP; BTD1-UP | | | | | | | |
| | 2096011 | | P-UB-10 | 90 mm | 130 mm | CTC-2590627 | 192.43 |
| | 2096011 | | Bushing | 90 mm | | CTC-1052575 | 42.49 |
| AMH1-UP; BTD1-UP; JLC1-UP; JLD1-UP | | | | | | | |
| | 1772465 | | P-UB-10 | 105 mm | 150 mm | CTC-1915619 | 222.49 |
| | 1772465 | | Bushing | 105 mm | | CTC-1140760 | 72.04 |
| | 2478853 | | P-UB-10 | 105 mm | 150 mm | CTC-1915619 | 222.49 |
| | 2478853 | | Bushing | 105 mm | | CTC-1140760 | 72.04 |
| BKW1-UP; BMM1-UP | | | | | | | |
| | 1799793 | | P-UB-10 | 90 mm | 130 mm | CTC-2590626 | 192.43 |
| | 1799793 | | Bushing | 90 mm | | CTC-1052575 | 42.49 |
| | 1948276 | | P-UB-10 | 105 mm | 150 mm | CTC-2003315 | 222.49 |
| | 1948276 | | Bushing | 105 mm | | CTC-1140760 | 72.04 |
| | 2478854 | | P-UB-10 | 105 mm | 150 mm | CTC-2502475 | 186.64 |
| | 2478854 | | Bushing | 105 mm | | CTC-1140760 | 72.04 |
| | 2590732 | | P-UB-10 | 90 mm | 130 mm | CTC-2590719 | 194.75 |
| | 2590732 | | Bushing | 90 mm | | CTC-1052575 | 42.49 |
| JLC1-UP | | | | | | | |
| | 2201532 | | P-UB-10 | 100 mm | 140 mm | CTC-2159985 | 168.04 |
| | 2201532 | | Bushing | 100 mm | | CTC-1140757 | 66.11 |

CATERPILLAR®

REPLACEMENT KITS FOR CATERPILLAR® EQUIPMENT

| Excavators | | | | | | | |
|---|---------|--------------------------------|---------|--------|--------|-------------|--------|
| APPLICATION | CYL # | Misc-Parts, Instructions, etc. | CODE | ROD | BORE | KIT # | |
| BUCKET | | | | | | | |
| JLC1-UP; JLD1-UP | | | | | | | |
| | 1799764 | | P-UB-10 | 90 mm | 130 mm | CTC-2159986 | 171.53 |
| | 1799764 | | Bushing | 90 mm | | CTC-1140758 | 54.25 |
| STICK | | | | | | | |
| AMH1-UP; BKW1-UP; BMM1-UP; BTD1-UP | | | | | | | |
| | 1799791 | | P-UB-10 | 105 mm | 150 mm | CTC-2590637 | 471.85 |
| | 1799791 | | Bushing | 105 mm | | CTC-0995572 | 56.41 |
| | 2096008 | | P-UB-10 | 105 mm | 150 mm | CTC-2590637 | 471.85 |
| | 2096008 | | Bushing | 105 mm | | CTC-0995572 | 56.41 |
| BKW1-UP; BMM1-UP | | | | | | | |
| | 1915589 | | P-UB-10 | 105 mm | 150 mm | CTC-2590636 | 471.85 |
| | 1915589 | | Bushing | 105 mm | | CTC-0995572 | 56.41 |
| | 2590728 | | P-UB-10 | 105 mm | 150 mm | CTC-2590729 | 471.85 |
| | 2590728 | | Bushing | 105 mm | | CTC-0995572 | 56.41 |
| JLC1-UP | | | | | | | |
| | 2044907 | | P-UB-10 | 95 mm | 160 mm | CTC-2521191 | 267.88 |
| | 2044907 | | Bushing | 95 mm | | CTC-6C6093 | 60.58 |
| JLC1-UP; JLD1-UP | | | | | | | |
| | 1799785 | Type 1 | P-UB-10 | 105 mm | 150 mm | CTC-1915619 | 222.49 |
| | 1799785 | Type 2 | P-UB-10 | 105 mm | 150 mm | CTC-2426840 | 240.72 |
| | 1799785 | Type 1 and Type 2 | Bushing | 105 mm | | CTC-1140760 | 72.04 |
| | 1915551 | | P-UB-10 | 115 mm | 170 mm | CTC-2316844 | 435.81 |
| BOOM | | | | | | | |
| AMH1-UP; BKW1-UP; BMM1-UP; BTD1-UP | | | | | | | |
| | 2096006 | | P-UB-10 | 100 mm | 140 mm | CTC-2590634 | 207.45 |
| | 2096006 | | Bushing | 100 mm | | CTC-0965625 | 65.58 |
| BFE1-UP; CRB1-UP; CSJ1-UP; JLC1-UP; JLD1-UP | | | | | | | |
| | 1799782 | | P-UB-10 | 100 mm | 140 mm | CTC-2159985 | 168.04 |
| | 1799782 | | Bushing | 100 mm | | CTC-1140757 | 66.11 |
| BKW1-UP; BMM1-UP | | | | | | | |
| | 1799789 | | P-UB-10 | 100 mm | 140 mm | CTC-1336823 | 440.47 |
| | 1799789 | | Bushing | 100 mm | | CTC-0965625 | 65.58 |
| | 1915587 | | P-UB-10 | 100 mm | 140 mm | CTC-2590632 | 207.45 |
| | 1915587 | | Bushing | 100 mm | | CTC-0965625 | 65.58 |
| | 2590724 | | P-UB-10 | 100 mm | 140 mm | CTC-2590725 | 207.45 |
| | 2590724 | | Bushing | 100 mm | | CTC-0965625 | 65.58 |
| CRB1-UP; CSJ1-UP; JLC1-UP; JLD1-UP | | | | | | | |
| | 2113069 | | P-UB-10 | 100 mm | 170 mm | CTC-2519341 | 362.88 |
| | 2113069 | | Bushing | 100 mm | | CTC-1140757 | 66.11 |
| JLC1-UP | | | | | | | |
| | 2033906 | | P-UB-10 | 105 mm | 150 mm | CTC-1915619 | 222.49 |
| | 2033906 | | Bushing | 105 mm | | CTC-1140760 | 72.04 |
| JLC1-UP; JLD1-UP | | | | | | | |
| | 1915548 | | P-UB-10 | 105 mm | 150 mm | CTC-1915619 | 222.49 |
| | 1915548 | | Bushing | 105 mm | | CTC-1140760 | 72.04 |
| | 2502419 | | P-UB-10 | 105 mm | 150 mm | CTC-2426840 | 240.72 |
| | 2502419 | | Bushing | 105 mm | | CTC-1140760 | 72.04 |
| BUCKET | | | | | | | |
| AMH1-UP; BFE1-UP; BTD1-UP; CRB1-UP; CSJ1-UP; JLC1-UP; JLD1-UP | | | | | | | |
| | 1772465 | | P-UB-10 | 105 mm | 150 mm | CTC-1915619 | 222.49 |
| | 1772465 | | Bushing | 105 mm | | CTC-1140760 | 72.04 |
| AMH1-UP; BKW1-UP; BMM1-UP; BTD1-UP | | | | | | | |
| | 2096011 | | P-UB-10 | 90 mm | 130 mm | CTC-2590627 | 192.43 |
| | 2096011 | | Bushing | 90 mm | | CTC-1052575 | 42.49 |

REPLACEMENT KITS FOR CATERPILLAR® EQUIPMENT

| Excavators | | | | | | | |
|--|-------------------|--------------------------------|---------|--------|--------|-------------|--------|
| APPLICATION | CYL # | Misc-Parts, Instructions, etc. | CODE | ROD | BORE | KIT # | |
| MODEL 325C L | | | | | | | |
| BUCKET | | | | | | | |
| AMH1-UP; BTD1-UP; CRB1-UP; CSJ1-UP; JLC1-UP; JLD1-UP | | | | | | | |
| 2478853 | | | P-UB-10 | 105 mm | 150 mm | CTC-1915619 | 222.49 |
| 2478853 | | | Bushing | 105 mm | | CTC-1140760 | 72.04 |
| BFE1-UP | | | | | | | |
| 1589061 | | | P-U-10 | 85 mm | 120 mm | CTC-2366389 | 150.28 |
| 1589061 | | | Bushing | 85 mm | | CTC-1140756 | 47.03 |
| 1799764 | | | P-UB-10 | 90 mm | 130 mm | CTC-2159986 | 171.53 |
| 1799764 | | | Bushing | 90 mm | | CTC-1140758 | 54.25 |
| BKW1-UP; BMM1-UP | | | | | | | |
| 1799793 | | | P-UB-10 | 90 mm | 130 mm | CTC-2590626 | 192.43 |
| 1799793 | | | Bushing | 90 mm | | CTC-1052575 | 42.49 |
| 1948276 | | | P-UB-10 | 105 mm | 150 mm | CTC-2003315 | 222.49 |
| 1948276 | | | Bushing | 105 mm | | CTC-1140760 | 72.04 |
| 2478854 | | | P-UB-10 | 105 mm | 150 mm | CTC-2502475 | 186.64 |
| 2478854 | | | Bushing | 105 mm | | CTC-1140760 | 72.04 |
| 2590732 | | | P-UB-10 | 90 mm | 130 mm | CTC-2590719 | 194.75 |
| 2590732 | | | Bushing | 90 mm | | CTC-1052575 | 42.49 |
| CRB1-UP | | | | | | | |
| 1709808 | | | P-UB-10 | 65 mm | 100 mm | CTC-1709941 | 177.94 |
| 1709808 | | | Bushing | 65 mm | | CTC-1140754 | 32.58 |
| 2959396 | | | P-UB-10 | 65 mm | 100 mm | CTC-1709941 | 177.94 |
| 2959396 | | | Bushing | 65 mm | | CTC-1140754 | 32.58 |
| CRB1-UP; CSJ1-UP; JLC1-UP; JLD1-UP | | | | | | | |
| 1799764 | | | P-UB-10 | 90 mm | 130 mm | CTC-2159986 | 171.53 |
| 1799764 | | | Bushing | 90 mm | | CTC-1140758 | 54.25 |
| JLC1-UP | | | | | | | |
| 2201532 | | | P-UB-10 | 100 mm | 140 mm | CTC-2159985 | 168.04 |
| 2201532 | | | Bushing | 100 mm | | CTC-1140757 | 66.11 |
| QUICK COUPLER | | | | | | | |
| BFE1-UP; CRB1-UP | | | | | | | |
| 1728403 | | | I-U-14 | 50 mm | 100 mm | CTC-2525507 | 218.41 |
| STICK | | | | | | | |
| AMH1-UP; BKW1-UP; BMM1-UP; BTD1-UP | | | | | | | |
| 1799791 | | | P-UB-10 | 105 mm | 150 mm | CTC-2590637 | 471.85 |
| 1799791 | | | Bushing | 105 mm | | CTC-0995572 | 56.41 |
| 2096008 | | | P-UB-10 | 105 mm | 150 mm | CTC-2590637 | 471.85 |
| 2096008 | | | Bushing | 105 mm | | CTC-0995572 | 56.41 |
| BFE1-UP | | | | | | | |
| 1799785 | | | P-UB-10 | 105 mm | 150 mm | CTC-1915619 | 222.49 |
| 1799785 | | | Bushing | 105 mm | | CTC-1140760 | 72.04 |
| BKW1-UP; BMM1-UP | | | | | | | |
| 1915589 | | | P-UB-10 | 105 mm | 150 mm | CTC-2590636 | 471.85 |
| 1915589 | | | Bushing | 105 mm | | CTC-0995572 | 56.41 |
| 2590728 | | | P-UB-10 | 105 mm | 150 mm | CTC-2590729 | 471.85 |
| 2590728 | | | Bushing | 105 mm | | CTC-0995572 | 56.41 |
| CRB1-UP; CSJ1-UP | | | | | | | |
| 2188124 | | | P-UB-10 | 105 mm | 150 mm | CTC-1884219 | 222.49 |
| 2188124 | | | Bushing | 105 mm | | CTC-1140760 | 72.04 |
| CRB1-UP; CSJ1-UP; JLC1-UP; JLD1-UP | | | | | | | |
| 1799785 | Type 1 | | P-UB-10 | 105 mm | 150 mm | CTC-1915619 | 222.49 |
| 1799785 | Type 2 | | P-UB-10 | 105 mm | 150 mm | CTC-2426840 | 240.72 |
| 1799785 | Type 1 and Type 2 | | Bushing | 105 mm | | CTC-1140760 | 72.04 |
| JLC1-UP | | | | | | | |
| 2044907 | | | P-UB-10 | 95 mm | 160 mm | CTC-2521191 | 267.88 |
| 2044907 | | | Bushing | 95 mm | | CTC-6C6093 | 60.58 |

REPLACEMENT KITS FOR CATERPILLAR® EQUIPMENT

| Excavators | | | | | | | |
|---|---------|--------------------------------|---------|--------|--------|-------------|--------|
| APPLICATION | CYL # | Misc-Parts, Instructions, etc. | CODE | ROD | BORE | KIT # | |
| MODEL 325C L | | | | | | | |
| STICK | | | | | | | |
| JLC1-UP; JLD1-UP | | | | | | | |
| | 1915551 | | P-UB-10 | 115 mm | 170 mm | CTC-2316844 | 435.81 |
| MODEL 325C LN | | | | | | | |
| BOOM | | | | | | | |
| CRB1-UP; CSJ1-UP | | | | | | | |
| | 1799782 | | P-UB-10 | 100 mm | 140 mm | CTC-2159985 | 168.04 |
| | 1799782 | | Bushing | 100 mm | | CTC-1140757 | 66.11 |
| | 2113069 | | P-UB-10 | 100 mm | 170 mm | CTC-2519341 | 362.88 |
| | 2113069 | | Bushing | 100 mm | | CTC-1140757 | 66.11 |
| BUCKET | | | | | | | |
| CRB1-UP | | | | | | | |
| | 1709808 | | P-UB-10 | 65 mm | 100 mm | CTC-1709941 | 177.94 |
| | 1709808 | | Bushing | 65 mm | | CTC-1140754 | 32.58 |
| | 2959396 | | P-UB-10 | 65 mm | 100 mm | CTC-1709941 | 177.94 |
| | 2959396 | | Bushing | 65 mm | | CTC-1140754 | 32.58 |
| CRB1-UP; CSJ1-UP | | | | | | | |
| | 1772465 | | P-UB-10 | 105 mm | 150 mm | CTC-1915619 | 222.49 |
| | 1772465 | | Bushing | 105 mm | | CTC-1140760 | 72.04 |
| | 1799764 | | P-UB-10 | 90 mm | 130 mm | CTC-2159986 | 171.53 |
| | 1799764 | | Bushing | 90 mm | | CTC-1140758 | 54.25 |
| | 2478853 | | P-UB-10 | 105 mm | 150 mm | CTC-1915619 | 222.49 |
| | 2478853 | | Bushing | 105 mm | | CTC-1140760 | 72.04 |
| QUICK COUPLER | | | | | | | |
| CRB1-UP | | | | | | | |
| | 1728403 | | I-U-14 | 50 mm | 100 mm | CTC-2525507 | 218.41 |
| STICK | | | | | | | |
| CRB1-UP; CSJ1-UP | | | | | | | |
| | 1799785 | Type 1 | P-UB-10 | 105 mm | 150 mm | CTC-1915619 | 222.49 |
| | 1799785 | Type 2 | P-UB-10 | 105 mm | 150 mm | CTC-2426840 | 240.72 |
| | 1799785 | Type 1 and Type 2 | Bushing | 105 mm | | CTC-1140760 | 72.04 |
| | 2188124 | | P-UB-10 | 105 mm | 150 mm | CTC-1884219 | 222.49 |
| | 2188124 | | Bushing | 105 mm | | CTC-1140760 | 72.04 |
| MODEL 325D | | | | | | | |
| BOOM | | | | | | | |
| DBH1-UP; KBE1-UP; KDG1-UP; SCR1-UP | | | | | | | |
| | 2254584 | | P-UB-10 | 100 mm | 140 mm | CTC-2344566 | 200.54 |
| | 2254584 | | Bushing | 100 mm | | CTC-0965625 | 65.58 |
| KDG1-UP; SCR1-UP | | | | | | | |
| | 2254595 | | P-UB-10 | 100 mm | 140 mm | CTC-2590648 | 200.54 |
| | 2254595 | | Bushing | 100 mm | | CTC-0965625 | 65.58 |
| | 2667988 | | P-UB-10 | 100 mm | 140 mm | CTC-2668015 | 191.59 |
| | 2667988 | | Bushing | 100 mm | | CTC-0965625 | 65.58 |
| BUCKET | | | | | | | |
| AZP1-UP; DBH1-UP; KBE1-UP; KDG1-UP; SCR1-UP | | | | | | | |
| | 2254581 | | P-UB-10 | 105 mm | 150 mm | CTC-1915619 | 222.49 |
| | 2254581 | | Bushing | 105 mm | | CTC-1140760 | 72.04 |
| DBH1-UP; KBE1-UP; KDG1-UP; SCR1-UP | | | | | | | |
| | 2254591 | | P-UB-10 | 95 mm | 135 mm | CTC-2344587 | 184.02 |
| | 2254591 | | Bushing | 95 mm | | CTC-0964430 | 47.85 |

REPLACEMENT KITS FOR CATERPILLAR® EQUIPMENT

| Excavators | | | | | | | |
|--|-------|--------------------------------|---------|--------|--------|-------------|--------|
| APPLICATION | CYL # | Misc-Parts, Instructions, etc. | CODE | ROD | BORE | KIT # | |
| MODEL 325D | | | | | | | |
| BUCKET | | | | | | | |
| KDG1-UP; SCR1-UP | | | | | | | |
| 2254599 | | | P-UB-10 | 95 mm | 135 mm | CTC-2590656 | 182.21 |
| 2254599 | | | Bushing | 95 mm | | CTC-0964430 | 47.85 |
| 2254602 | | | P-UB-10 | 105 mm | 150 mm | CTC-2502475 | 186.64 |
| 2254602 | | | Bushing | 105 mm | | CTC-1140760 | 72.04 |
| 2667992 | | | P-UB-10 | 95 mm | 135 mm | CTC-2668045 | 184.02 |
| 2667992 | | | Bushing | 95 mm | | CTC-0964430 | 47.85 |
| 2668080 | | | P-UB-10 | 105 mm | 150 mm | CTC-2590743 | 171.76 |
| 2668080 | | | Bushing | 105 mm | | CTC-1140760 | 72.04 |
| STICK | | | | | | | |
| DBH1-UP; KBE1-UP; KDG1-UP; SCR1-UP | | | | | | | |
| 2254588 | | | P-UB-10 | 105 mm | 150 mm | CTC-2344576 | 460.60 |
| 2254588 | | | Bushing | 105 mm | | CTC-0995572 | 56.41 |
| 2590778 | | | P-UB-10 | 105 mm | 150 mm | CTC-2590779 | 439.88 |
| 2590778 | | | Bushing | 105 mm | | CTC-0995572 | 56.41 |
| KDG1-UP; SCR1-UP | | | | | | | |
| 2254597 | | | P-UB-10 | 105 mm | 150 mm | CTC-2590650 | 460.60 |
| 2254597 | | | Bushing | 105 mm | | CTC-0995572 | 56.41 |
| 2667990 | | | P-UB-10 | 105 mm | 150 mm | CTC-2668016 | 460.60 |
| 2667990 | | | Bushing | 105 mm | | CTC-0995572 | 56.41 |
| MODEL 325D L | | | | | | | |
| BOOM | | | | | | | |
| A3R1-UP; GBR1-UP; GPB1-UP; JCL1-UP; MCL1-UP; PAL1-UP; PKE1-UP; T2S1-UP | | | | | | | |
| 2254572 | | | P-UB-10 | 100 mm | 140 mm | CTC-2159985 | 168.04 |
| 2254572 | | | Bushing | 100 mm | | CTC-1140757 | 66.11 |
| A3R1-UP; GBR1-UP; GPB1-UP; PKE1-UP | | | | | | | |
| 2959400 | | | P-UB-10 | 100 mm | 140 mm | CTC-2478792 | 254.17 |
| 2959400 | | | Bushing | 100 mm | | CTC-1140757 | 66.11 |
| DBH1-UP; KBE1-UP; KDG1-UP; SCR1-UP | | | | | | | |
| 2254584 | | | P-UB-10 | 100 mm | 140 mm | CTC-2344566 | 200.54 |
| 2254584 | | | Bushing | 100 mm | | CTC-0965625 | 65.58 |
| GBR1-UP | | | | | | | |
| 2033906 | | | P-UB-10 | 105 mm | 150 mm | CTC-1915619 | 222.49 |
| 2033906 | | | Bushing | 105 mm | | CTC-1140760 | 72.04 |
| 2795614 | | | P-UB-10 | 95 mm | 160 mm | CTC-2521191 | 267.88 |
| 2795614 | | | Bushing | 95 mm | | CTC-6C6093 | 60.58 |
| GBR1-UP; GPB1-UP; LAL1-UP; MCL1-UP; NAC1-UP; PAL1-UP; PKE1-UP; T2S1-UP | | | | | | | |
| 2959398 | | | P-UB-10 | 100 mm | 140 mm | CTC-2478792 | 254.17 |
| 2959398 | | | Bushing | 100 mm | | CTC-1140757 | 66.11 |
| GBR1-UP; GPB1-UP; LAL1-UP; MCL1-UP; PKE1-UP; T2S1-UP | | | | | | | |
| 2798111 | | | P-UB-10 | 100 mm | 170 mm | CTC-2519341 | 362.88 |
| 2798111 | | | Bushing | 100 mm | | CTC-1140757 | 66.11 |
| KDG1-UP; SCR1-UP | | | | | | | |
| 2254595 | | | P-UB-10 | 100 mm | 140 mm | CTC-2590648 | 200.54 |
| 2254595 | | | Bushing | 100 mm | | CTC-0965625 | 65.58 |
| 2667988 | | | P-UB-10 | 100 mm | 140 mm | CTC-2668015 | 191.59 |
| 2667988 | | | Bushing | 100 mm | | CTC-0965625 | 65.58 |
| BUCKET | | | | | | | |
| A3R1-UP | | | | | | | |
| 2487855 | | | P-UB-10 | 65 mm | 100 mm | CTC-1709941 | 177.94 |
| 2487855 | | | Bushing | 65 mm | | CTC-1140754 | 32.58 |
| 2836118 | | | P-UB-10 | 65 mm | 100 mm | CTC-1709941 | 177.94 |
| 2836118 | | | Bushing | 65 mm | | CTC-1140754 | 32.58 |

REPLACEMENT KITS FOR CATERPILLAR® EQUIPMENT

| Excavators | | | | | | | |
|---|-------|--------------------------------|---------|--------|--------|-------------|--------|
| APPLICATION | CYL # | Misc-Parts, Instructions, etc. | CODE | ROD | BORE | KIT # | |
| MODEL 325D L | | | | | | | |
| BUCKET | | | | | | | |
| A3R1-UP; AZP1-UP; DBH1-UP; GBR1-UP; GPB1-UP; KBE1-UP; KDG1-UP; MCL1-UP; PKE1-UP; SCR1-UP; T2S1-UP | | | | | | | |
| 2254581 | | | P-UB-10 | 105 mm | 150 mm | CTC-1915619 | 222.49 |
| 2254581 | | | Bushing | 105 mm | | CTC-1140760 | 72.04 |
| A3R1-UP; GBR1-UP; GPB1-UP; JCL1-UP; MCL1-UP; PAL1-UP; PKE1-UP; T2S1-UP | | | | | | | |
| 2254578 | | | P-UB-10 | 95 mm | 135 mm | CTC-2344488 | 196.26 |
| 2254578 | | | Bushing | 95 mm | | CTC-1289260 | 56.30 |
| A3R1-UP; GBR1-UP; GPB1-UP; LAL1-UP; MCL1-UP; NAC1-UP; PAL1-UP; PKE1-UP | | | | | | | |
| 2898004 | | | P-UB-10 | 95 mm | 135 mm | CTC-2344488 | 196.26 |
| 2898004 | | | Bushing | 95 mm | | CTC-1289260 | 56.30 |
| A3R1-UP; GBR1-UP; GPB1-UP; LAL1-UP; MCL1-UP; NAC1-UP; PAL1-UP; PKE1-UP; T2S1-UP | | | | | | | |
| 2898012 | | | P-UB-10 | 105 mm | 150 mm | CTC-1915619 | 222.49 |
| 2898012 | | | Bushing | 105 mm | | CTC-1140760 | 72.04 |
| DBH1-UP; KBE1-UP; KDG1-UP; SCR1-UP | | | | | | | |
| 2254591 | | | P-UB-10 | 95 mm | 135 mm | CTC-2344587 | 184.02 |
| 2254591 | | | Bushing | 95 mm | | CTC-0964430 | 47.85 |
| GBR1-UP | | | | | | | |
| 2201532 | | | P-UB-10 | 100 mm | 140 mm | CTC-2159985 | 168.04 |
| 2201532 | | | Bushing | 100 mm | | CTC-1140757 | 66.11 |
| 2897948 | | | P-UB-10 | 85 mm | 120 mm | CTC-2478790 | 150.28 |
| 2897948 | | | Bushing | 85 mm | | CTC-1140756 | 47.03 |
| GBR1-UP; GPB1-UP; MCL1-UP; PKE1-UP | | | | | | | |
| 2426767 | | | P-UB-10 | 85 mm | 120 mm | CTC-2478790 | 150.28 |
| 2426767 | | | Bushing | 85 mm | | CTC-1140756 | 47.03 |
| GPB1-UP | | | | | | | |
| 2959396 | | | P-UB-10 | 65 mm | 100 mm | CTC-1709941 | 177.94 |
| 2959396 | | | Bushing | 65 mm | | CTC-1140754 | 32.58 |
| 3095975 | | | P-UB-10 | 65 mm | 100 mm | CTC-1709941 | 177.94 |
| 3095975 | | | Bushing | 65 mm | | CTC-1140754 | 32.58 |
| KDG1-UP; SCR1-UP | | | | | | | |
| 2254599 | | | P-UB-10 | 95 mm | 135 mm | CTC-2590656 | 182.21 |
| 2254599 | | | Bushing | 95 mm | | CTC-0964430 | 47.85 |
| 2254602 | | | P-UB-10 | 105 mm | 150 mm | CTC-2502475 | 186.64 |
| 2254602 | | | Bushing | 105 mm | | CTC-1140760 | 72.04 |
| 2667992 | | | P-UB-10 | 95 mm | 135 mm | CTC-2668045 | 184.02 |
| 2667992 | | | Bushing | 95 mm | | CTC-0964430 | 47.85 |
| 2668080 | | | P-UB-10 | 105 mm | 150 mm | CTC-2590743 | 171.76 |
| 2668080 | | | Bushing | 105 mm | | CTC-1140760 | 72.04 |
| STICK | | | | | | | |
| A3R1-UP | | | | | | | |
| 2166607 | | | P-UB-10 | 105 mm | 150 mm | CTC-1915619 | 222.49 |
| 2166607 | | | Bushing | 105 mm | | CTC-1140760 | 72.04 |
| A3R1-UP; GBR1-UP; GPB1-UP; JCL1-UP; MCL1-UP; PAL1-UP; PKE1-UP; T2S1-UP | | | | | | | |
| 2254575 | | | P-UB-10 | 105 mm | 150 mm | CTC-2426840 | 240.72 |
| 2254575 | | | Bushing | 105 mm | | CTC-1140760 | 72.04 |
| A3R1-UP; GBR1-UP; GPB1-UP; LAL1-UP; MCL1-UP; NAC1-UP; PAL1-UP; PKE1-UP; T2S1-UP | | | | | | | |
| 2897994 | | | P-UB-10 | 105 mm | 150 mm | CTC-2426840 | 240.72 |
| 2897994 | | | Bushing | 105 mm | | CTC-1140760 | 72.04 |
| DBH1-UP; KBE1-UP; KDG1-UP; SCR1-UP | | | | | | | |
| 2254588 | | | P-UB-10 | 105 mm | 150 mm | CTC-2344576 | 460.60 |
| 2254588 | | | Bushing | 105 mm | | CTC-0995572 | 56.41 |
| 2590778 | | | P-UB-10 | 105 mm | 150 mm | CTC-2590779 | 439.88 |
| 2590778 | | | Bushing | 105 mm | | CTC-0995572 | 56.41 |

REPLACEMENT KITS FOR CATERPILLAR® EQUIPMENT

| Excavators | | | | | | | |
|------------------------------------|-------|--------------------------------|---------|--------|--------|-------------|--------|
| APPLICATION | CYL # | Misc-Parts, Instructions, etc. | CODE | ROD | BORE | KIT # | |
| MODEL 325D L | | | | | | | |
| STICK | | | | | | | |
| GBR1-UP | | | | | | | |
| 2344601 | | | P-UB-10 | 115 mm | 170 mm | CTC-2316844 | 435.81 |
| 2836188 | | | P-UB-10 | 115 mm | 170 mm | CTC-2316844 | 435.81 |
| 2898031 | | | P-UB-10 | 115 mm | 170 mm | CTC-2316844 | 435.81 |
| KDG1-UP; SCR1-UP | | | | | | | |
| 2254597 | | | P-UB-10 | 105 mm | 150 mm | CTC-2590650 | 460.60 |
| 2254597 | | | Bushing | 105 mm | | CTC-0995572 | 56.41 |
| 2667990 | | | P-UB-10 | 105 mm | 150 mm | CTC-2668016 | 460.60 |
| 2667990 | | | Bushing | 105 mm | | CTC-0995572 | 56.41 |
| MODEL 325D LN | | | | | | | |
| BOOM | | | | | | | |
| GPB1-UP; PKE1-UP | | | | | | | |
| 2254572 | | | P-UB-10 | 100 mm | 140 mm | CTC-2159985 | 168.04 |
| 2254572 | | | Bushing | 100 mm | | CTC-1140757 | 66.11 |
| 2798111 | | | P-UB-10 | 100 mm | 170 mm | CTC-2519341 | 362.88 |
| 2798111 | | | Bushing | 100 mm | | CTC-1140757 | 66.11 |
| 2959398 | | | P-UB-10 | 100 mm | 140 mm | CTC-2478792 | 254.17 |
| 2959398 | | | Bushing | 100 mm | | CTC-1140757 | 66.11 |
| 2959400 | | | P-UB-10 | 100 mm | 140 mm | CTC-2478792 | 254.17 |
| 2959400 | | | Bushing | 100 mm | | CTC-1140757 | 66.11 |
| BUCKET | | | | | | | |
| GPB1-UP | | | | | | | |
| 2959396 | | | P-UB-10 | 65 mm | 100 mm | CTC-1709941 | 177.94 |
| 2959396 | | | Bushing | 65 mm | | CTC-1140754 | 32.58 |
| 3095975 | | | P-UB-10 | 65 mm | 100 mm | CTC-1709941 | 177.94 |
| 3095975 | | | Bushing | 65 mm | | CTC-1140754 | 32.58 |
| GPB1-UP; PKE1-UP | | | | | | | |
| 2254578 | | | P-UB-10 | 95 mm | 135 mm | CTC-2344488 | 196.26 |
| 2254578 | | | Bushing | 95 mm | | CTC-1289260 | 56.30 |
| 2254581 | | | P-UB-10 | 105 mm | 150 mm | CTC-1915619 | 222.49 |
| 2254581 | | | Bushing | 105 mm | | CTC-1140760 | 72.04 |
| 2426767 | | | P-UB-10 | 85 mm | 120 mm | CTC-2478790 | 150.28 |
| 2426767 | | | Bushing | 85 mm | | CTC-1140756 | 47.03 |
| 2898004 | | | P-UB-10 | 95 mm | 135 mm | CTC-2344488 | 196.26 |
| 2898004 | | | Bushing | 95 mm | | CTC-1289260 | 56.30 |
| 2898012 | | | P-UB-10 | 105 mm | 150 mm | CTC-1915619 | 222.49 |
| 2898012 | | | Bushing | 105 mm | | CTC-1140760 | 72.04 |
| STICK | | | | | | | |
| GPB1-UP; PKE1-UP | | | | | | | |
| 2254575 | | | P-UB-10 | 105 mm | 150 mm | CTC-2426840 | 240.72 |
| 2254575 | | | Bushing | 105 mm | | CTC-1140760 | 72.04 |
| 2897994 | | | P-UB-10 | 105 mm | 150 mm | CTC-2426840 | 240.72 |
| 2897994 | | | Bushing | 105 mm | | CTC-1140760 | 72.04 |
| MODEL 325F L | | | | | | | |
| BOOM | | | | | | | |
| RBW1-UP; YCA1-UP | | | | | | | |
| 3412790 | | | P-UB-10 | 85 mm | 120 mm | CTC-4560197 | 185.55 |
| 3412790 | | | Bushing | 85 mm | | CTC-0964402 | 44.04 |
| 5433884 | | | P-UB-14 | 95 mm | 160 mm | CTC-5542902 | 390.21 |
| 5433884 | | | Bushing | 95 mm | | CTC-3852931 | 46.81 |
| BOOM LH | | | | | | | |
| NDJ1-UP; RBW1-UP; XAA1-UP; YCA1-UP | | | | | | | |
| 4185506 | | | P-UB-10 | 90 mm | 125 mm | CTC-4560198 | 199.17 |
| 4185506 | | | Bushing | 90 mm | | CTC-1052575 | 42.49 |

REPLACEMENT KITS FOR CATERPILLAR® EQUIPMENT

| Excavators | | | | | | | |
|------------------------------------|-------|--------------------------------|-------------|--------|--------|--------------|--------|
| APPLICATION | CYL # | Misc-Parts, Instructions, etc. | CODE | ROD | BORE | KIT # | |
| MODEL 325F L | | | | | | | |
| BOOM RH | | | | | | | |
| NDJ1-UP; RBW1-UP; XAA1-UP; YCA1-UP | | | | | | | |
| 4185507 | | | P-UB-10 | 90 mm | 125 mm | CTC-4560198 | 199.17 |
| 4185507 | | | Bushing | 90 mm | | CTC-1052575 | 42.49 |
| BOOM VAR ADJ | | | | | | | |
| RBW1-UP; YCA1-UP | | | | | | | |
| 3605447 | | | P-UB-10 | 95 mm | 160 mm | CTC-3979296 | 303.59 |
| 3605447 | | | Bushing | 95 mm | | CTC-6C6093 | 60.58 |
| BUCKET | | | | | | | |
| NDJ1-UP; RBW1-UP; XAA1-UP; YCA1-UP | | | | | | | |
| 3412814 | | | P-UB-10 | 85 mm | 120 mm | CTC-4560207 | 180.45 |
| 3412814 | | | Bushing | 85 mm | | CTC-0964402 | 44.04 |
| 5751074 | | | P-UB-10 | 85 mm | 120 mm | CTC-5456415 | 248.97 |
| 5751074 | | | Bushing | 85 mm | | CTC-1140756 | 47.03 |
| RBW1-UP; YCA1-UP | | | | | | | |
| 3412182 | | | P-UB-10 | 95 mm | 135 mm | CTC-4560209 | 214.30 |
| 3412182 | | | Bushing | 95 mm | | CTC-0964430 | 47.85 |
| 3412818 | | | P-UB-10 | 90 mm | 130 mm | CTC-4560210 | 215.30 |
| 3412818 | | | Bushing | 90 mm | | CTC-1052575 | 42.49 |
| COUPLER | | | | | | | |
| NDJ1-UP; RBW1-UP; XAA1-UP; YCA1-UP | | | | | | | |
| 3909505 | | | I-U-10 | 1-1/2 | 2-1/2 | CTC-4536523 | 21.00 |
| 3909505 | | | Chk Vlv Kit | | | CTC-2138433 | 17.12 |
| STICK | | | | | | | |
| NDJ1-UP; RBW1-UP; XAA1-UP; YCA1-UP | | | | | | | |
| 3412802 | | | P-UB-10 | 100 mm | 140 mm | CTC-4560202 | 257.32 |
| 3412802 | | | Bushing | 100 mm | | CTC-0965625 | 65.58 |
| TRACK ADJUSTER | | | | | | | |
| NDJ1-UP; RBW1-UP; XAA1-UP; YCA1-UP | | | | | | | |
| 2394390 | | | TRK ADJ | | | CTC-SK100110 | 61.23 |
| MODEL 325L | | | | | | | |
| BOOM | | | | | | | |
| 7Y4601 | | | P-UB-10 | 95 mm | 130 mm | CTC-7Y5147 | 409.95 |
| BUCKET | | | | | | | |
| 1251547 | | | P-UB-10 | 65 mm | 100 mm | CTC-4I8914 | 280.34 |
| 4I7652 | | | P-UB-10 | 65 mm | 100 mm | CTC-4I7664 | 280.46 |
| 4I8840 | | | P-UB-10 | 65 mm | 100 mm | CTC-4I8914 | 280.34 |
| 7I7291 | | | P-UB-10 | 85 mm | 130 mm | CTC-7Y5145 | 366.57 |
| 7Y5100 | | | P-UB-10 | 85 mm | 130 mm | CTC-7Y5145 | 366.57 |
| 7Y5150 | | | P-UB-10 | 105 mm | 150 mm | CTC-1I63612 | 413.90 |
| 875633 | | | P-UB-10 | 85 mm | 120 mm | CTC-0875394 | 354.94 |
| STICK | | | | | | | |
| 1I69123 | | | P-UB-10 | 105 mm | 150 mm | CTC-1I63612 | 413.90 |
| 7Y4650 | | | P-UB-10 | 105 mm | 150 mm | CTC-1I63612 | 413.90 |
| MODEL 326F L | | | | | | | |
| BOOM | | | | | | | |
| EBK1-UP; FBR1-UP; WGL1-UP; XFK1-UP | | | | | | | |
| 3408939 | | | P-UB-10 | 95 mm | 135 mm | CTC-4560199 | 233.83 |
| 3408939 | | | Bushing | 95 mm | | CTC-0964430 | 47.85 |
| BUCKET | | | | | | | |
| EBK1-UP; FBR1-UP; WGL1-UP; XFK1-UP | | | | | | | |
| 3408949 | | | P-UB-10 | 90 mm | 130 mm | CTC-4560208 | 301.65 |
| 3408949 | | | Bushing | 90 mm | | CTC-1052575 | 42.49 |
| 3852834 | | | P-UB-14 | 70 mm | 100 mm | CTC-3904227 | 306.68 |
| 3852834 | | | Bushing | 70 mm | | CTC-3904158 | 31.10 |

REPLACEMENT KITS FOR CATERPILLAR® EQUIPMENT

| Excavators | | | | | | | |
|------------------------------------|-------|--------------------------------|-----------|--------|--------|--------------|--------|
| APPLICATION | CYL # | Misc-Parts, Instructions, etc. | CODE | ROD | BORE | KIT # | |
| MODEL 326F L | | | | | | | |
| BUCKET | | | | | | | |
| FBR1-UP; WGL1-UP; XFK1-UP | | | | | | | |
| 3566515 | | | P-UB-10 | 95 mm | 135 mm | CTC-3979295 | 336.69 |
| 3566515 | | | Bushing | 95 mm | | CTC-1289260 | 56.30 |
| WGL1-UP; XFK1-UP | | | | | | | |
| 3579766 | | | P-UB-10 | 105 mm | 150 mm | CTC-5185138 | 223.63 |
| 3579766 | | | Bushing | 105 mm | | CTC-1140760 | 72.04 |
| COUPLER | | | | | | | |
| FBR1-UP; WGL1-UP | | | | | | | |
| 2948011 | | | P-U-10,12 | 2 | 3-1/2 | CTC-3460643 | 60.25 |
| 3897213 | | | I-U-10 | 1-1/2 | 2-1/2 | CTC-4536523 | 21.00 |
| FORE BOOM | | | | | | | |
| XFK1-UP | | | | | | | |
| 2798111 | | | P-UB-10 | 100 mm | 170 mm | CTC-2519341 | 362.88 |
| 2798111 | | | Bushing | 100 mm | | CTC-1140757 | 66.11 |
| STICK | | | | | | | |
| EBK1-UP; FBR1-UP; WGL1-UP; XFK1-UP | | | | | | | |
| 2166607 | | | P-UB-10 | 105 mm | 150 mm | CTC-3249485 | 257.86 |
| 2166607 | | | Bushing | 105 mm | | CTC-1140760 | 72.04 |
| 3408944 | | | P-UB-10 | 100 mm | 140 mm | CTC-4560204 | 247.00 |
| 3408944 | | | Bushing | 100 mm | | CTC-0965625 | 65.58 |
| TRACK ADJUSTER | | | | | | | |
| EBK1-UP; FBR1-UP; WGL1-UP; XFK1-UP | | | | | | | |
| 2394373 | | | TRK ADJ | | | CTC-SK100161 | 100.73 |
| MODEL 326F LN | | | | | | | |
| BOOM | | | | | | | |
| HCJ1-UP | | | | | | | |
| 3408939 | | | P-UB-10 | 95 mm | 135 mm | CTC-4560199 | 233.83 |
| 3408939 | | | Bushing | 95 mm | | CTC-0964430 | 47.85 |
| BUCKET | | | | | | | |
| HCJ1-UP | | | | | | | |
| 3408949 | | | P-UB-10 | 90 mm | 130 mm | CTC-4560208 | 301.65 |
| 3408949 | | | Bushing | 90 mm | | CTC-1052575 | 42.49 |
| 3566515 | | | P-UB-10 | 95 mm | 135 mm | CTC-3979295 | 336.69 |
| 3566515 | | | Bushing | 95 mm | | CTC-1289260 | 56.30 |
| 3579766 | | | P-UB-10 | 105 mm | 150 mm | CTC-5185138 | 223.63 |
| 3579766 | | | Bushing | 105 mm | | CTC-1140760 | 72.04 |
| 3852834 | | | P-UB-14 | 70 mm | 100 mm | CTC-3904227 | 306.68 |
| 3852834 | | | Bushing | 70 mm | | CTC-3904158 | 31.10 |
| FORE BOOM | | | | | | | |
| HCJ1-UP | | | | | | | |
| 2798111 | | | P-UB-10 | 100 mm | 170 mm | CTC-2519341 | 362.88 |
| 2798111 | | | Bushing | 100 mm | | CTC-1140757 | 66.11 |
| STICK | | | | | | | |
| HCJ1-UP | | | | | | | |
| 3408944 | | | P-UB-10 | 100 mm | 140 mm | CTC-4560204 | 247.00 |
| 3408944 | | | Bushing | 100 mm | | CTC-0965625 | 65.58 |
| TRACK ADJUSTER | | | | | | | |
| HCJ1-UP | | | | | | | |
| 2394373 | | | TRK ADJ | | | CTC-SK100161 | 100.73 |

CATERPILLAR®

REPLACEMENT KITS FOR CATERPILLAR® EQUIPMENT

| Excavators | | | | | | | |
|------------------------------------|-------|--------------------------------|---------|--------|--------|-------------|--------|
| APPLICATION | CYL # | Misc-Parts, Instructions, etc. | CODE | ROD | BORE | KIT # | |
| MODEL 328D LCR | | | | | | | |
| BLADE | | | | | | | |
| MKR1-UP; SWF1-UP | | | | | | | |
| 1913286 | | | P-UB-10 | 100 mm | 140 mm | CTC-1645174 | 300.06 |
| 1913286 | | | Bushing | 100 mm | | CTC-0965625 | 65.58 |
| 1913288 | | | P-UB-10 | 100 mm | 140 mm | CTC-1645174 | 300.06 |
| 1913288 | | | Bushing | 100 mm | | CTC-0965625 | 65.58 |
| BLADE LH | | | | | | | |
| MKR1-UP; SWF1-UP | | | | | | | |
| 1913288 | | | P-UB-10 | 100 mm | 140 mm | CTC-1645174 | 300.06 |
| 1913288 | | | Bushing | 100 mm | | CTC-0965625 | 65.58 |
| BLADE RH | | | | | | | |
| MKR1-UP; SWF1-UP | | | | | | | |
| 1913286 | | | P-UB-10 | 100 mm | 140 mm | CTC-1645174 | 300.06 |
| 1913286 | | | Bushing | 100 mm | | CTC-0965625 | 65.58 |
| BOOM | | | | | | | |
| GTN1-UP; MKR1-UP; RMX1-UP; SWF1-UP | | | | | | | |
| 2667935 | | | P-UB-10 | 100 mm | 140 mm | CTC-2344566 | 200.54 |
| 2667935 | | | Bushing | 100 mm | | CTC-0965625 | 65.58 |
| 3494153 | | | P-UB-10 | 100 mm | 140 mm | CTC-4560200 | 264.52 |
| 3494153 | | | Bushing | 100 mm | | CTC-0965625 | 65.58 |
| MKR1-UP; RMX1-UP | | | | | | | |
| 2959673 | | | P-UB-10 | 100 mm | 140 mm | CTC-2590648 | 200.54 |
| 2959673 | | | Bushing | 100 mm | | CTC-0965625 | 65.58 |
| BUCKET | | | | | | | |
| GTN1-UP; MKR1-UP; RMX1-UP; SWF1-UP | | | | | | | |
| 2254591 | | | P-UB-10 | 95 mm | 135 mm | CTC-2344587 | 184.02 |
| 2254591 | | | Bushing | 95 mm | | CTC-0964430 | 47.85 |
| 3412182 | | | P-UB-10 | 95 mm | 135 mm | CTC-3500976 | 209.04 |
| 3412182 | | | Bushing | 95 mm | | CTC-0964430 | 47.85 |
| 3494152 | | | P-UB-10 | 95 mm | 135 mm | CTC-3500976 | 209.04 |
| 3494152 | | | Bushing | 95 mm | | CTC-0964430 | 47.85 |
| MKR1-UP; RMX1-UP | | | | | | | |
| 2254599 | | | P-UB-10 | 95 mm | 135 mm | CTC-2590656 | 182.21 |
| 2254599 | | | Bushing | 95 mm | | CTC-0964430 | 47.85 |
| COUPLER | | | | | | | |
| GTN1-UP; MKR1-UP; RMX1-UP; SWF1-UP | | | | | | | |
| 2745997 | | | I-U-14 | 50 mm | 100 mm | CTC-2525507 | 218.41 |
| STICK | | | | | | | |
| GTN1-UP; MKR1-UP; RMX1-UP; SWF1-UP | | | | | | | |
| 2254588 | | | P-UB-10 | 105 mm | 150 mm | CTC-2344576 | 460.60 |
| 2254588 | | | Bushing | 105 mm | | CTC-0995572 | 56.41 |
| 3494148 | | | P-UB-10 | 105 mm | 150 mm | CTC-3500974 | 258.28 |
| 3494148 | | | Bushing | 105 mm | | CTC-0995572 | 56.41 |
| 3494150 | | | P-UB-10 | 105 mm | 150 mm | CTC-3500975 | 258.28 |
| 3494150 | | | Bushing | 105 mm | | CTC-0995572 | 56.41 |
| GTN1-UP; RMX1-UP | | | | | | | |
| 3000199 | | | P-UB-10 | 105 mm | 150 mm | CTC-2344576 | 460.60 |
| 3000199 | | | Bushing | 105 mm | | CTC-0995572 | 56.41 |
| 3640930 | | | P-UB-10 | 105 mm | 150 mm | CTC-3500974 | 258.28 |
| 3640930 | | | Bushing | 105 mm | | CTC-0995572 | 56.41 |
| GTN1-UP; RMX1-UP; SWF1-UP | | | | | | | |
| 3412177 | | | P-UB-10 | 105 mm | 150 mm | CTC-3500975 | 258.28 |
| 3412177 | | | Bushing | 105 mm | | CTC-0995572 | 56.41 |
| MKR1-UP; RMX1-UP | | | | | | | |
| 2254597 | | | P-UB-10 | 105 mm | 150 mm | CTC-2590650 | 460.60 |
| 2254597 | | | Bushing | 105 mm | | CTC-0995572 | 56.41 |

REPLACEMENT KITS FOR CATERPILLAR® EQUIPMENT

| Excavators | | | | | | | |
|--|-------|--------------------------------|---------|--------|--------|--------------|--------|
| APPLICATION | CYL # | Misc-Parts, Instructions, etc. | CODE | ROD | BORE | KIT # | |
| MODEL 328D LCR | | | | | | | |
| TRACK ADJUSTER | | | | | | | |
| GTN1-315; MKR1-212 | | | | | | | |
| 1793043 | | | TRK ADJ | | | CTC-SK100116 | 186.38 |
| GTN316-UP; MKR213-UP; RMX1-UP; SWF1-UP | | | | | | | |
| 2979151 | | | TRK ADJ | | | CTC-SK100116 | 186.38 |
| MODEL 329D L | | | | | | | |
| BOOM | | | | | | | |
| BFC1-UP; CZF1-UP; JHJ1-UP; LGN1-UP; RSK1-UP; TPM1-UP; WLT1-UP; XDB1-UP | | | | | | | |
| 2959398 | | | P-UB-10 | 100 mm | 140 mm | CTC-3981893 | 262.81 |
| 2959398 | | | Bushing | 100 mm | | CTC-1140757 | 66.11 |
| DJF1-UP; TZL1-UP | | | | | | | |
| 4185481 | | | P-UB-10 | 100 mm | 140 mm | CTC-3500973 | 264.52 |
| 4185481 | | | Bushing | 100 mm | | CTC-0965625 | 65.58 |
| DJF1-UP; TZL1-UP; YFW1-UP | | | | | | | |
| 2254584 | | | P-UB-10 | 100 mm | 140 mm | CTC-2344566 | 200.54 |
| 2254584 | | | Bushing | 100 mm | | CTC-0965625 | 65.58 |
| 2667988 | | | P-UB-10 | 100 mm | 140 mm | CTC-2668015 | 191.59 |
| 2667988 | | | Bushing | 100 mm | | CTC-0965625 | 65.58 |
| 3494146 | | | P-UB-10 | 100 mm | 140 mm | CTC-3500973 | 264.52 |
| 3494146 | | | Bushing | 100 mm | | CTC-0965625 | 65.58 |
| DJF1-UP; YFW1-UP | | | | | | | |
| 2254595 | | | P-UB-10 | 100 mm | 140 mm | CTC-2590648 | 200.54 |
| 2254595 | | | Bushing | 100 mm | | CTC-0965625 | 65.58 |
| TZL1-UP; YFW1-UP | | | | | | | |
| 4188812 | | | P-UB-10 | 100 mm | 140 mm | CTC-2668015 | 191.59 |
| 4188812 | | | Bushing | 100 mm | | CTC-0965625 | 65.58 |
| BUCKET | | | | | | | |
| BFC1-UP; CZF1-UP; JHJ1-UP; LGN1-UP; RSK1-UP; TPM1-UP; WLT1-UP; XDB1-UP | | | | | | | |
| 2898004 | | | P-UB-10 | 95 mm | 135 mm | CTC-2344488 | 196.26 |
| 2898004 | | | Bushing | 95 mm | | CTC-1289260 | 56.30 |
| 3154451 | | | P-UB-10 | 105 mm | 150 mm | CTC-3764331 | 215.87 |
| 3154451 | | | Bushing | 105 mm | | CTC-1140760 | 72.04 |
| DJF1-UP; TZL1-UP | | | | | | | |
| 3412182 | | | P-UB-10 | 95 mm | 135 mm | CTC-3500976 | 209.04 |
| 3412182 | | | Bushing | 95 mm | | CTC-0964430 | 47.85 |
| DJF1-UP; TZL1-UP; YFW1-UP | | | | | | | |
| 3154442 | | | P-UB-10 | 105 mm | 150 mm | CTC-3764331 | 215.87 |
| 3154442 | | | Bushing | 105 mm | | CTC-1140760 | 72.04 |
| 3154449 | | | P-UB-10 | 105 mm | 150 mm | CTC-3764332 | 215.87 |
| 3154449 | | | Bushing | 105 mm | | CTC-1140760 | 72.04 |
| 3494152 | | | P-UB-10 | 95 mm | 135 mm | CTC-3500976 | 209.04 |
| 3494152 | | | Bushing | 95 mm | | CTC-0964430 | 47.85 |
| 3579766 | | | P-UB-10 | 105 mm | 150 mm | CTC-3764331 | 215.87 |
| 3579766 | | | Bushing | 105 mm | | CTC-1140760 | 72.04 |
| DJF1-UP; YFW1-UP | | | | | | | |
| 2254591 | | | P-UB-10 | 95 mm | 135 mm | CTC-2344587 | 184.02 |
| 2254591 | | | Bushing | 95 mm | | CTC-0964430 | 47.85 |
| 2254599 | | | P-UB-10 | 95 mm | 135 mm | CTC-2590656 | 182.21 |
| 2254599 | | | Bushing | 95 mm | | CTC-0964430 | 47.85 |
| 2667992 | | | P-UB-10 | 95 mm | 135 mm | CTC-2668045 | 184.02 |
| 2667992 | | | Bushing | 95 mm | | CTC-0964430 | 47.85 |
| JHJ1-UP | | | | | | | |
| 2836118 | | | P-UB-10 | 65 mm | 100 mm | CTC-1709941 | 177.94 |
| 2836118 | | | Bushing | 65 mm | | CTC-1140754 | 32.58 |

CATERPILLAR®

REPLACEMENT KITS FOR CATERPILLAR® EQUIPMENT

| Excavators | | | | | | | |
|---|-------|--------------------------------|-----------|--------|--------|-------------|--------|
| APPLICATION | CYL # | Misc-Parts, Instructions, etc. | CODE | ROD | BORE | KIT # | |
| MODEL 329D L | | | | | | | |
| BUCKET | | | | | | | |
| TZL1-UP | | | | | | | |
| 3852834 | | | P-UB-14 | 70 mm | 100 mm | CTC-3904227 | 306.68 |
| 3852834 | | | Bushing | 70 mm | | CTC-3904158 | 31.10 |
| TZL1-UP; YFW1-UP | | | | | | | |
| 3154450 | | | P-UB-10 | 105 mm | 150 mm | CTC-2590743 | 171.76 |
| 3154450 | | | Bushing | 105 mm | | CTC-1140760 | 72.04 |
| 3582108 | | | P-UB-10 | 70 mm | 100 mm | CTC-3494121 | 255.14 |
| 3582108 | | | Bushing | 70 mm | | CTC-1140753 | 37.46 |
| 4188818 | | | P-UB-10 | 95 mm | 135 mm | CTC-2668045 | 184.02 |
| 4188818 | | | Bushing | 95 mm | | CTC-0964430 | 47.85 |
| WLT1-UP; XDB1-UP | | | | | | | |
| 2898086 | | | P-UB-10 | 70 mm | 100 mm | CTC-2836179 | 266.41 |
| 2898086 | | | Bushing | 70 mm | | CTC-1140753 | 37.46 |
| XDB1-UP | | | | | | | |
| 3154473 | | | P-UB-10 | 110 mm | 160 mm | CTC-3338750 | 236.68 |
| 3154473 | | | Bushing | 110 mm | | CTC-1140762 | 107.24 |
| YFW1-UP | | | | | | | |
| 2897699 | | | P-UB-10 | 70 mm | 100 mm | CTC-2836179 | 266.41 |
| 2897699 | | | Bushing | 70 mm | | CTC-1140753 | 37.46 |
| COUPLER | | | | | | | |
| BFC1-UP; CZF1-UP; TPM1-UP; WLT1-UP; XDB1-UP | | | | | | | |
| 1690753 | | | P-U-5 | 40 mm | 70 mm | CTC-2191322 | 47.37 |
| TZL1-UP; WLT1-UP; YFW1-UP | | | | | | | |
| 2948011 | | | P-U-10,12 | 2 | 3-1/2 | CTC-3460643 | 60.25 |
| FORE BOOM | | | | | | | |
| XDB1-UP | | | | | | | |
| 2798111 | | | P-UB-10 | 100 mm | 170 mm | CTC-2519341 | 362.88 |
| 2798111 | | | Bushing | 100 mm | | CTC-1140757 | 66.11 |
| STICK | | | | | | | |
| BFC1-UP; CZF1-UP; TPM1-UP; WLT1-UP; XDB1-UP | | | | | | | |
| 2897994 | | | P-UB-10 | 105 mm | 150 mm | CTC-3249485 | 257.86 |
| 2897994 | | | Bushing | 105 mm | | CTC-1140760 | 72.04 |
| DJF1-UP | | | | | | | |
| 2590779 | | | P-UB-10 | 105 mm | 150 mm | CTC-2590779 | 439.88 |
| 2590779 | | | Bushing | 105 mm | | CTC-0995572 | 56.41 |
| DJF1-UP; TZL1-UP; YFW1-UP | | | | | | | |
| 2667990 | | | P-UB-10 | 105 mm | 150 mm | CTC-2668016 | 460.60 |
| 2667990 | | | Bushing | 105 mm | | CTC-0995572 | 56.41 |
| 3494148 | | | P-UB-10 | 105 mm | 150 mm | CTC-3500974 | 258.28 |
| 3494148 | | | Bushing | 105 mm | | CTC-0995572 | 56.41 |
| 3494150 | | | P-UB-10 | 105 mm | 150 mm | CTC-3500975 | 258.28 |
| 3494150 | | | Bushing | 105 mm | | CTC-0995572 | 56.41 |
| DJF1-UP; YFW1-UP | | | | | | | |
| 2254597 | | | P-UB-10 | 105 mm | 150 mm | CTC-2590650 | 460.60 |
| 2254597 | | | Bushing | 105 mm | | CTC-0995572 | 56.41 |
| JHJ1-UP; LGN1-UP; RSK1-UP | | | | | | | |
| 2897994 | | | P-UB-10 | 105 mm | 150 mm | CTC-2426840 | 240.72 |
| 2897994 | | | Bushing | 105 mm | | CTC-1140760 | 72.04 |
| JHJ1-UP; TZL1-UP; WLT1-UP; XDB1-UP; YFW1-UP | | | | | | | |
| 2166607 | | | P-UB-10 | 105 mm | 150 mm | CTC-3764331 | 215.87 |
| 2166607 | | | Bushing | 105 mm | | CTC-1140760 | 72.04 |
| TZL1-UP | | | | | | | |
| 4185483 | | | P-UB-10 | 105 mm | 150 mm | CTC-3500974 | 258.28 |
| 4185483 | | | Bushing | 105 mm | | CTC-0995572 | 56.41 |

REPLACEMENT KITS FOR CATERPILLAR® EQUIPMENT

| Excavators | | | | | | | |
|---|-------|--------------------------------|-----------|--------|--------|--------------|--------|
| APPLICATION | CYL # | Misc-Parts, Instructions, etc. | CODE | ROD | BORE | KIT # | |
| MODEL 329D L | | | | | | | |
| STICK | | | | | | | |
| TZL1-UP; YFW1-UP | | | | | | | |
| 4188814 | | | P-UB-10 | 105 mm | 150 mm | CTC-2668016 | 460.60 |
| 4188814 | | | Bushing | 105 mm | | CTC-0995572 | 56.41 |
| YFW1-UP | | | | | | | |
| 2254588 | | | P-UB-10 | 105 mm | 150 mm | CTC-2344576 | 460.60 |
| 2254588 | | | Bushing | 105 mm | | CTC-0995572 | 56.41 |
| 2590778 | | | P-UB-10 | 105 mm | 150 mm | CTC-2590779 | 439.88 |
| 2590778 | | | Bushing | 105 mm | | CTC-0995572 | 56.41 |
| TRACK ADJUSTER | | | | | | | |
| BFC1-UP; CZF1-UP; DJF1-UP; JHJ1-UP; LGN1-UP; RSK1-UP; TPM1-UP; TZL1-UP; WLT1-UP; XDB1-UP; YFW1-UP | | | | | | | |
| 2979150 | | | TRK ADJ | | | CTC-SK100115 | 76.66 |
| MODEL 329D LN | | | | | | | |
| BOOM | | | | | | | |
| EBM1-UP; SCY1-UP | | | | | | | |
| 2959398 | | | P-UB-10 | 100 mm | 140 mm | CTC-3981893 | 262.81 |
| 2959398 | | | Bushing | 100 mm | | CTC-1140757 | 66.11 |
| BUCKET | | | | | | | |
| EBM1-UP; SCY1-UP | | | | | | | |
| 2898004 | | | P-UB-10 | 95 mm | 135 mm | CTC-2344488 | 196.26 |
| 2898004 | | | Bushing | 95 mm | | CTC-1289260 | 56.30 |
| 3154451 | | | P-UB-10 | 105 mm | 150 mm | CTC-3764331 | 215.87 |
| 3154451 | | | Bushing | 105 mm | | CTC-1140760 | 72.04 |
| COUPLER | | | | | | | |
| EBM1-UP; SCY1-UP | | | | | | | |
| 1690753 | | | P-U-5 | 40 mm | 70 mm | CTC-2191322 | 47.37 |
| FORE BOOM | | | | | | | |
| EBM1-UP | | | | | | | |
| 2798111 | | | P-UB-10 | 100 mm | 170 mm | CTC-2519341 | 362.88 |
| 2798111 | | | Bushing | 100 mm | | CTC-1140757 | 66.11 |
| STICK | | | | | | | |
| EBM1-UP; SCY1-UP | | | | | | | |
| 2897994 | | | P-UB-10 | 105 mm | 150 mm | CTC-3249485 | 257.86 |
| 2897994 | | | Bushing | 105 mm | | CTC-1140760 | 72.04 |
| TRACK ADJUSTER | | | | | | | |
| EBM1-UP; SCY1-UP | | | | | | | |
| 2979150 | | | TRK ADJ | | | CTC-SK100115 | 76.66 |
| MODEL 329E | | | | | | | |
| BOOM | | | | | | | |
| PTY1-UP | | | | | | | |
| 3412172 | | | P-UB-10 | 100 mm | 140 mm | CTC-4560200 | 264.52 |
| 3412172 | | | Bushing | 100 mm | | CTC-0965625 | 65.58 |
| BUCKET | | | | | | | |
| PTY1-UP | | | | | | | |
| 3412182 | | | P-UB-10 | 95 mm | 135 mm | CTC-3500976 | 209.04 |
| 3412182 | | | Bushing | 95 mm | | CTC-0964430 | 47.85 |
| 3579766 | | | P-UB-10 | 105 mm | 150 mm | CTC-3249485 | 257.86 |
| 3579766 | | | Bushing | 105 mm | | CTC-1140760 | 72.04 |
| 3582108 | | | P-UB-10 | 70 mm | 100 mm | CTC-3494121 | 255.14 |
| 3582108 | | | Bushing | 70 mm | | CTC-1140753 | 37.46 |
| 3852834 | | | P-UB-14 | 70 mm | 100 mm | CTC-3904227 | 306.68 |
| 3852834 | | | Bushing | 70 mm | | CTC-3904158 | 31.10 |
| COUPLER | | | | | | | |
| PTY1-UP | | | | | | | |
| 2948011 | | | P-U-10,12 | 2 | 3-1/2 | CTC-3460643 | 60.25 |

CATERPILLAR®

REPLACEMENT KITS FOR CATERPILLAR® EQUIPMENT

| Excavators | | | | | | | |
|---|------------|--------------------------------|-----------|--------|--------|--------------|--------|
| APPLICATION | CYL # | Misc-Parts, Instructions, etc. | CODE | ROD | BORE | KIT # | |
| MODEL 329E | | | | | | | |
| STICK | | | | | | | |
| PTY1-UP | | | | | | | |
| 2166607 | Type 1 | | P-UB-10 | 105 mm | 150 mm | CTC-1915619 | 222.49 |
| 2166607 | Type 2 | | P-UB-10 | 105 mm | 150 mm | CTC-3249485 | 257.86 |
| 2166607 | Type 1 & 2 | | Bushing | 105 mm | | CTC-1140760 | 72.04 |
| 3412177 | | | P-UB-10 | 105 mm | 150 mm | CTC-3500975 | 258.28 |
| 3412177 | | | Bushing | 105 mm | | CTC-0995572 | 56.41 |
| TRACK ADJUSTER | | | | | | | |
| PTY1-UP | | | | | | | |
| 2979150 | | | TRK ADJ | | | CTC-SK100115 | 76.66 |
| MODEL 329E L | | | | | | | |
| BOOM | | | | | | | |
| PLW1-UP; RDX1-UP; TST1-UP; WJK1-UP | | | | | | | |
| 3412172 | | | P-UB-10 | 100 mm | 140 mm | CTC-4560200 | 264.52 |
| PLW1-UP; RDX1-UP; TST1-UP; WJK1-UP; ZCD1-UP | | | | | | | |
| 3412172 | | | Bushing | 100 mm | | CTC-0965625 | 65.58 |
| BUCKET | | | | | | | |
| PLW1-UP; RDX1-UP; TST1-UP; WJK1-UP; ZCD1-UP | | | | | | | |
| 3412182 | | | P-UB-10 | 95 mm | 135 mm | CTC-3500976 | 209.04 |
| 3412182 | | | Bushing | 95 mm | | CTC-0964430 | 47.85 |
| 3582108 | | | P-UB-10 | 70 mm | 100 mm | CTC-3494121 | 255.14 |
| 3582108 | | | Bushing | 70 mm | | CTC-1140753 | 37.46 |
| 3852834 | | | P-UB-14 | 70 mm | 100 mm | CTC-3904227 | 306.68 |
| 3852834 | | | Bushing | 70 mm | | CTC-3904158 | 31.10 |
| PLW1-UP; TST1-UP | | | | | | | |
| 2897699 | | | P-UB-10 | 70 mm | 100 mm | CTC-2836179 | 266.41 |
| 2897699 | | | Bushing | 70 mm | | CTC-1140753 | 37.46 |
| 3579766 | | | P-UB-10 | 105 mm | 150 mm | CTC-3764331 | 215.87 |
| 3579766 | | | Bushing | 105 mm | | CTC-1140760 | 72.04 |
| PLW1-UP; TST1-UP; ZCD1-UP | | | | | | | |
| 3550712 | | | P-UB-10 | 95 mm | 135 mm | CTC-3979295 | 336.69 |
| 3550712 | | | Bushing | 95 mm | | CTC-1289260 | 56.30 |
| RDX1-UP; WJK1-UP; ZCD1-UP | | | | | | | |
| 3579766 | | | P-UB-10 | 105 mm | 150 mm | CTC-3249485 | 257.86 |
| 3579766 | | | Bushing | 105 mm | | CTC-1140760 | 72.04 |
| COUPLER | | | | | | | |
| PLW1-UP; RDX1-UP; WJK1-UP; ZCD1-UP | | | | | | | |
| 2948011 | | | P-U-10,12 | 2 | 3-1/2 | CTC-3460643 | 60.25 |
| TST1-UP | | | | | | | |
| 1690753 | | | P-U-5 | 40 mm | 70 mm | CTC-2191322 | 47.37 |
| STICK | | | | | | | |
| PLW1-UP; RDX1-UP; TST1-UP; WJK1-UP; ZCD1-UP | | | | | | | |
| 3412177 | | | P-UB-10 | 105 mm | 150 mm | CTC-3500975 | 258.28 |
| 3412177 | | | Bushing | 105 mm | | CTC-0995572 | 56.41 |
| PLW1-UP; TST1-UP; ZCD1-UP | | | | | | | |
| 2166607 | | | P-UB-10 | 105 mm | 150 mm | CTC-3249485 | 257.86 |
| 2166607 | | | Bushing | 105 mm | | CTC-1140760 | 72.04 |
| RDX1-UP; WJK1-UP | | | | | | | |
| 2166607 | Type 1 | | P-UB-10 | 105 mm | 150 mm | CTC-1915619 | 222.49 |
| 2166607 | Type 2 | | P-UB-10 | 105 mm | 150 mm | CTC-3249485 | 257.86 |
| 2166607 | Type 1 & 2 | | Bushing | 105 mm | | CTC-1140760 | 72.04 |
| ZCD1-UP | | | | | | | |
| 3412180 | | | P-UB-10 | 105 mm | 150 mm | CTC-3500975 | 258.28 |
| 3412180 | | | Bushing | 105 mm | | CTC-0995572 | 56.41 |

REPLACEMENT KITS FOR CATERPILLAR® EQUIPMENT

| Excavators | | | | | | | |
|---|-------|--------------------------------|-----------|--------|--------|--------------|--------|
| APPLICATION | CYL # | Misc-Parts, Instructions, etc. | CODE | ROD | BORE | KIT # | |
| MODEL 329E L | | | | | | | |
| TRACK ADJUSTER | | | | | | | |
| PLW1-UP; RDX1-UP; TST1-UP; WJK1-UP; ZCD1-UP | | | | | | | |
| 2979150 | | | TRK ADJ | | | CTC-SK100115 | 76.66 |
| MODEL 329E LN | | | | | | | |
| BOOM | | | | | | | |
| RLD1-UP | | | | | | | |
| 3412172 | | | P-UB-10 | 100 mm | 140 mm | CTC-4560200 | 264.52 |
| 3412172 | | | Bushing | 100 mm | | CTC-0965625 | 65.58 |
| BUCKET | | | | | | | |
| RLD1-UP | | | | | | | |
| 3412182 | | | P-UB-10 | 95 mm | 135 mm | CTC-3500976 | 209.04 |
| 3412182 | | | Bushing | 95 mm | | CTC-0964430 | 47.85 |
| 3550712 | | | P-UB-10 | 95 mm | 135 mm | CTC-3979295 | 336.69 |
| 3550712 | | | Bushing | 95 mm | | CTC-1289260 | 56.30 |
| 3579766 | | | P-UB-10 | 105 mm | 150 mm | CTC-3764331 | 215.87 |
| 3579766 | | | Bushing | 105 mm | | CTC-1140760 | 72.04 |
| COUPLER | | | | | | | |
| RLD1-UP | | | | | | | |
| 1690753 | | | P-U-5 | 40 mm | 70 mm | CTC-2191322 | 47.37 |
| STICK | | | | | | | |
| RLD1-UP | | | | | | | |
| 3412177 | | | P-UB-10 | 105 mm | 150 mm | CTC-3500975 | 258.28 |
| 3412177 | | | Bushing | 105 mm | | CTC-0995572 | 56.41 |
| TRACK ADJUSTER | | | | | | | |
| RLD1-UP | | | | | | | |
| 2979150 | | | TRK ADJ | | | CTC-SK100115 | 76.66 |
| MODEL 329F L | | | | | | | |
| BOOM | | | | | | | |
| ERL1-UP; WBA1-UP | | | | | | | |
| 3412172 | | | P-UB-10 | 100 mm | 140 mm | CTC-4560200 | 264.52 |
| 3412172 | | | Bushing | 100 mm | | CTC-0965625 | 65.58 |
| BUCKET | | | | | | | |
| ERL1-UP | | | | | | | |
| 3852834 | | | P-UB-14 | 70 mm | 100 mm | CTC-3904227 | 306.68 |
| 3852834 | | | Bushing | 70 mm | | CTC-3904158 | 31.10 |
| ERL1-UP; WBA1-UP | | | | | | | |
| 3412182 | | | P-UB-10 | 95 mm | 135 mm | CTC-4560209 | 214.30 |
| 3412182 | | | Bushing | 95 mm | | CTC-0964430 | 47.85 |
| 3550712 | | | P-UB-10 | 95 mm | 135 mm | CTC-3979295 | 336.69 |
| 3550712 | | | Bushing | 95 mm | | CTC-1289260 | 56.30 |
| 3579766 | | | P-UB-10 | 105 mm | 150 mm | CTC-5185138 | 223.63 |
| 3579766 | | | Bushing | 105 mm | | CTC-1140760 | 72.04 |
| COUPLER | | | | | | | |
| ERL1-UP | | | | | | | |
| 2948011 | | | P-U-10,12 | 2 | 3-1/2 | CTC-3460643 | 60.25 |
| 3897213 | | | I-U-10 | 1-1/2 | 2-1/2 | CTC-4536523 | 21.00 |
| WBA1-UP | | | | | | | |
| 1690753 | | | P-U-5 | 40 mm | 70 mm | CTC-2191322 | 47.37 |
| STICK | | | | | | | |
| ERL1-UP; WBA1-UP | | | | | | | |
| 2166607 | | | P-UB-10 | 105 mm | 150 mm | CTC-3249485 | 257.86 |
| 2166607 | | | Bushing | 105 mm | | CTC-1140760 | 72.04 |
| 3412177 | | | P-UB-10 | 105 mm | 150 mm | CTC-4560205 | 307.70 |
| 3412177 | | | Bushing | 105 mm | | CTC-0995572 | 56.41 |

CATERPILLAR®

REPLACEMENT KITS FOR CATERPILLAR® EQUIPMENT

| Excavators | | | | | | | |
|--------------------------|--|--------------------------------|---------|--------|--------|--------------|--------|
| APPLICATION | CYL # | Misc-Parts, Instructions, etc. | CODE | ROD | BORE | KIT # | |
| MODEL 329F L | | | | | | | |
| TRACK ADJUSTER | | | | | | | |
| | ERL1-UP; WBA1-UP | | | | | | |
| | 2979150 | | TRK ADJ | | | CTC-SK100115 | 76.66 |
| MODEL 329F LN | | | | | | | |
| BOOM | | | | | | | |
| | LBN1-UP | | | | | | |
| | 3412172 | | P-UB-10 | 100 mm | 140 mm | CTC-4560200 | 264.52 |
| | 3412172 | | Bushing | 100 mm | | CTC-0965625 | 65.58 |
| BUCKET | | | | | | | |
| | LBN1-UP | | | | | | |
| | 3412182 | | P-UB-10 | 95 mm | 135 mm | CTC-4560209 | 214.30 |
| | 3412182 | | Bushing | 95 mm | | CTC-0964430 | 47.85 |
| | 3550712 | | P-UB-10 | 95 mm | 135 mm | CTC-3979295 | 336.69 |
| | 3550712 | | Bushing | 95 mm | | CTC-1289260 | 56.30 |
| | 3579766 | | P-UB-10 | 105 mm | 150 mm | CTC-5185138 | 223.63 |
| | 3579766 | | Bushing | 105 mm | | CTC-1140760 | 72.04 |
| COUPLER | | | | | | | |
| | LBN1-UP | | | | | | |
| | 1690753 | | P-U-5 | 40 mm | 70 mm | CTC-2191322 | 47.37 |
| STICK | | | | | | | |
| | LBN1-UP | | | | | | |
| | 2166607 | | P-UB-10 | 105 mm | 150 mm | CTC-3249485 | 257.86 |
| | 2166607 | | Bushing | 105 mm | | CTC-1140760 | 72.04 |
| | 3412177 | | P-UB-10 | 105 mm | 150 mm | CTC-4560205 | 307.70 |
| | 3412177 | | Bushing | 105 mm | | CTC-0995572 | 56.41 |
| TRACK ADJUSTER | | | | | | | |
| | LBN1-UP | | | | | | |
| | 2979150 | | TRK ADJ | | | CTC-SK100115 | 76.66 |
| MODEL 330B, 330BL | | | | | | | |
| BOOM | | | | | | | |
| | 1163578 | | P-UB-10 | 105 mm | 150 mm | CTC-1680758 | 465.24 |
| | 1336808 | | P-UB-10 | 105 mm | 150 mm | CTC-1289277 | 504.68 |
| BUCKET | | | | | | | |
| | 1183921 | | P-UB-10 | 105 mm | 150 mm | CTC-1680758 | 465.24 |
| | 1183935 | | P-UB-10 | 110 mm | 160 mm | CTC-1680760 | 460.57 |
| | 1184134 | | P-UB-10 | 85 mm | 120 mm | CTC-1184131 | 342.72 |
| | 1336810 | | P-UB-10 | 105 mm | 150 mm | CTC-1289277 | 504.68 |
| | 1336811 | | P-UB-10 | 110 mm | 160 mm | CTC-1289280 | 503.33 |
| STICK | | | | | | | |
| | 0875375 | | P-UB-10 | 130 mm | 180 mm | CTC-0875407 | 546.07 |
| | 1163638 | | P-UB-10 | 110 mm | 170 mm | CTC-1680759 | 549.61 |
| | 1336809 | | P-UB-10 | 110 mm | 170 mm | CTC-1289278 | 544.90 |
| MODEL 330C | | | | | | | |
| BOOM | | | | | | | |
| | GKX1-UP; JAB1-UP; JCD1-UP; JNK1-UP; KDD1-UP; MCA1-UP | | | | | | |
| | 1915548 | | P-UB-10 | 105 mm | 150 mm | CTC-1915619 | 222.49 |
| | 1915548 | | Bushing | 105 mm | | CTC-1140760 | 72.04 |
| | GKX1-UP; JAB1-UP; KDD1-UP; MCA1-UP | | | | | | |
| | 2502473 | | P-UB-10 | 105 mm | 150 mm | CTC-2502475 | 186.64 |
| | 2502473 | | Bushing | 105 mm | | CTC-1140760 | 72.04 |
| | GKX1-UP; MCA1-UP | | | | | | |
| | 2502419 | | P-UB-10 | 105 mm | 150 mm | CTC-2426840 | 240.72 |
| | 2502419 | | Bushing | 105 mm | | CTC-1140760 | 72.04 |

REPLACEMENT KITS FOR CATERPILLAR® EQUIPMENT

| Excavators | | | | | | | |
|--|-------|--------------------------------|---------|--------|--------|-------------|--------|
| APPLICATION | CYL # | Misc-Parts, Instructions, etc. | CODE | ROD | BORE | KIT # | |
| MODEL 330C | | | | | | | |
| BOOM | | | | | | | |
| JAB1-UP; KDD1-UP | | | | | | | |
| 1948270 | | | P-UB-10 | 105 mm | 150 mm | CTC-2003315 | 222.49 |
| 1948270 | | | Bushing | 105 mm | | CTC-1140760 | 72.04 |
| 2502419 | | | P-UB-10 | 105 mm | 150 mm | CTC-2426840 | 240.72 |
| 2502419 | | | Bushing | 105 mm | | CTC-1140760 | 72.04 |
| 2590742 | | | P-UB-10 | 105 mm | 150 mm | CTC-2590743 | 171.76 |
| 2590742 | | | Bushing | 105 mm | | CTC-1140760 | 72.04 |
| JCD1-UP; JNK1-UP | | | | | | | |
| 2502419 | | | P-UB-10 | 105 mm | 150 mm | CTC-2426840 | 240.72 |
| 2502419 | | | Bushing | 105 mm | | CTC-1140760 | 72.04 |
| BUCKET | | | | | | | |
| GKX1-UP; JAB1-UP; JCD1-UP; JNK1-UP; KDD1-UP; MCA1-UP | | | | | | | |
| 1772465 | | | P-UB-10 | 105 mm | 150 mm | CTC-1915619 | 222.49 |
| 1772465 | | | Bushing | 105 mm | | CTC-1140760 | 72.04 |
| 1915554 | | | P-UB-10 | 110 mm | 160 mm | CTC-2159988 | 274.03 |
| 1915554 | | | Bushing | 110 mm | | CTC-1140762 | 107.24 |
| 2478853 | | | P-UB-10 | 105 mm | 150 mm | CTC-1915619 | 222.49 |
| 2478853 | | | Bushing | 105 mm | | CTC-1140760 | 72.04 |
| GKX1-UP; JAB1-UP; KDD1-UP; MCA1-UP | | | | | | | |
| 2478854 | | | P-UB-10 | 105 mm | 150 mm | CTC-2502475 | 186.64 |
| 2478854 | | | Bushing | 105 mm | | CTC-1140760 | 72.04 |
| JAB1-UP; KDD1-UP | | | | | | | |
| 1948276 | | | P-UB-10 | 105 mm | 150 mm | CTC-2003315 | 222.49 |
| 1948276 | | | Bushing | 105 mm | | CTC-1140760 | 72.04 |
| 1948279 | | | P-UB-10 | 110 mm | 160 mm | CTC-1948235 | 324.60 |
| 1948279 | | | Bushing | 110 mm | | CTC-1140762 | 107.24 |
| 2590746 | | | P-UB-10 | 105 mm | 150 mm | CTC-2590743 | 171.76 |
| 2590746 | | | Bushing | 105 mm | | CTC-1140760 | 72.04 |
| 2590750 | | | P-UB-10 | 110 mm | 160 mm | CTC-2590751 | 315.76 |
| 2590750 | | | Bushing | 110 mm | | CTC-1140762 | 107.24 |
| JCD1-UP | | | | | | | |
| 1709808 | | | P-UB-10 | 65 mm | 100 mm | CTC-1709941 | 177.94 |
| 1709808 | | | Bushing | 65 mm | | CTC-1140754 | 32.58 |
| 2959396 | | | P-UB-10 | 65 mm | 100 mm | CTC-1709941 | 177.94 |
| 2959396 | | | Bushing | 65 mm | | CTC-1140754 | 32.58 |
| JCD1-UP; JNK1-UP | | | | | | | |
| 1589061 | | | P-U-10 | 85 mm | 120 mm | CTC-2366389 | 150.28 |
| 1589061 | | | Bushing | 85 mm | | CTC-1140756 | 47.03 |
| 2836132 | | | P-UB-10 | 85 mm | 120 mm | CTC-2366368 | 150.28 |
| 2836132 | | | Bushing | 85 mm | | CTC-1140756 | 47.03 |
| STICK | | | | | | | |
| GKX1-UP; JAB1-UP; KDD1-UP; MCA1-UP | | | | | | | |
| 1915551 | | | P-UB-10 | 115 mm | 170 mm | CTC-2316844 | 435.81 |
| 1948273 | | | P-UB-10 | 115 mm | 170 mm | CTC-2316845 | 444.94 |
| 2897763 | | | P-UB-10 | 115 mm | 170 mm | CTC-2316844 | 435.81 |
| 2897780 | | | P-UB-10 | 115 mm | 170 mm | CTC-2316845 | 444.94 |
| JAB1-UP; KDD1-UP | | | | | | | |
| 2590767 | | | P-UB-10 | 115 mm | 170 mm | CTC-2590768 | 443.37 |
| 2897784 | | | P-UB-10 | 115 mm | 170 mm | CTC-2590768 | 443.37 |
| JCD1-UP; JNK1-UP | | | | | | | |
| 1915551 | | | P-UB-10 | 115 mm | 170 mm | CTC-2316844 | 435.81 |
| UNSPECIFIED APPLICATION | | | | | | | |
| JCD1-UP; JNK1-UP | | | | | | | |
| 1234121 | | | P-UB-10 | 2 | 4 | CTC-2409538 | 94.69 |

REPLACEMENT KITS FOR CATERPILLAR® EQUIPMENT

| Excavators | | | | | | |
|--|-------|--------------------------------|--------|--------|-------------|--------|
| APPLICATION | CYL # | Misc-Parts, Instructions, etc. | CODE | ROD | BORE | KIT # |
| MODEL 330C L | | | | | | |
| BOOM | | | | | | |
| CAP1-UP; CGZ1-UP | | | | | | |
| 2255306 | | P-UB-10 | 110 mm | 180 mm | CTC-2304001 | 360.32 |
| 2255306 | | Bushing | 110 mm | | CTC-1140762 | 107.24 |
| CAP1-UP; CGZ1-UP; GKX1-UP; JAB1-UP; JCD1-UP; JNK1-UP; KDD1-UP; MCA1-UP; MKM1-UP | | | | | | |
| 1915548 | | P-UB-10 | 105 mm | 150 mm | CTC-1915619 | 222.49 |
| 1915548 | | Bushing | 105 mm | | CTC-1140760 | 72.04 |
| CAP1-UP; CGZ1-UP; JCD1-UP; JNK1-UP | | | | | | |
| 2502419 | | P-UB-10 | 105 mm | 150 mm | CTC-2426840 | 240.72 |
| 2502419 | | Bushing | 105 mm | | CTC-1140760 | 72.04 |
| CYA1-UP | | | | | | |
| 1915548 | | P-UB-10 | 105 mm | 150 mm | CTC-1884219 | 222.49 |
| 1915548 | | Bushing | 105 mm | | CTC-1140760 | 72.04 |
| DKY1-UP | | | | | | |
| 1915548 | | P-UB-10 | 105 mm | 150 mm | CTC-1884219 | 222.49 |
| 1915548 | | Bushing | 105 mm | | CTC-1140760 | 72.04 |
| GKX1-UP; JAB1-UP; KDD1-UP; MCA1-UP | | | | | | |
| 2502473 | | P-UB-10 | 105 mm | 150 mm | CTC-2502475 | 186.64 |
| 2502473 | | Bushing | 105 mm | | CTC-1140760 | 72.04 |
| GKX1-UP; MCA1-UP; CYA1-UP | | | | | | |
| 2502419 | | P-UB-10 | 105 mm | 150 mm | CTC-2426840 | 240.72 |
| 2502419 | | Bushing | 105 mm | | CTC-1140760 | 72.04 |
| JAB1-UP; KDD1-UP | | | | | | |
| 1948270 | | P-UB-10 | 105 mm | 150 mm | CTC-2003315 | 222.49 |
| 1948270 | | Bushing | 105 mm | | CTC-1140760 | 72.04 |
| 2502419 | | P-UB-10 | 105 mm | 150 mm | CTC-2426840 | 240.72 |
| 2502419 | | Bushing | 105 mm | | CTC-1140760 | 72.04 |
| 2590742 | | P-UB-10 | 105 mm | 150 mm | CTC-2590743 | 171.76 |
| 2590742 | | Bushing | 105 mm | | CTC-1140760 | 72.04 |
| MKM1-UP | | | | | | |
| 2162731 | | P-UB-10 | 110 mm | 160 mm | CTC-2042721 | 318.52 |
| 2162731 | | Bushing | 110 mm | | CTC-1140762 | 107.24 |
| BUCKET | | | | | | |
| CAP1-UP; CGZ1-UP; DKY1-UP; GKX1-UP; JAB1-UP; JCD1-UP; JNK1-UP; KDD1-UP; MCA1-UP; MKM1-UP | | | | | | |
| 1772465 | | P-UB-10 | 105 mm | 150 mm | CTC-1915619 | 222.49 |
| 1772465 | | Bushing | 105 mm | | CTC-1140760 | 72.04 |
| 1915554 | | P-UB-10 | 110 mm | 160 mm | CTC-2159988 | 274.03 |
| 1915554 | | Bushing | 110 mm | | CTC-1140762 | 107.24 |
| CAP1-UP; CGZ1-UP; GKX1-UP; JAB1-UP; JCD1-UP; JNK1-UP; KDD1-UP; MCA1-UP; MKM1-UP | | | | | | |
| 2478853 | | P-UB-10 | 105 mm | 150 mm | CTC-1915619 | 222.49 |
| 2478853 | | Bushing | 105 mm | | CTC-1140760 | 72.04 |
| CYA1-UP | | | | | | |
| 1772465 | | P-UB-10 | 105 mm | 150 mm | CTC-1884219 | 222.49 |
| 1772465 | | Bushing | 105 mm | | CTC-1140760 | 72.04 |
| 1915554 | | P-UB-10 | 110 mm | 160 mm | CTC-1948396 | 290.49 |
| 1915554 | | Bushing | 110 mm | | CTC-1140762 | 107.24 |
| GKX1-UP; JAB1-UP; KDD1-UP; MCA1-UP | | | | | | |
| 2478854 | | P-UB-10 | 105 mm | 150 mm | CTC-2502475 | 186.64 |
| 2478854 | | Bushing | 105 mm | | CTC-1140760 | 72.04 |

REPLACEMENT KITS FOR CATERPILLAR® EQUIPMENT

| Excavators | | | | | | |
|---|-------|--------------------------------|---------|--------|--------|--------------------|
| APPLICATION | CYL # | Misc-Parts, Instructions, etc. | CODE | ROD | BORE | KIT # |
| MODEL 330C L | | | | | | |
| BUCKET | | | | | | |
| JAB1-UP; KDD1-UP | | | | | | |
| 1948276 | | | P-UB-10 | 105 mm | 150 mm | CTC-2003315 222.49 |
| 1948276 | | | Bushing | 105 mm | | CTC-1140760 72.04 |
| 1948279 | | | P-UB-10 | 110 mm | 160 mm | CTC-1948235 324.60 |
| 1948279 | | | Bushing | 110 mm | | CTC-1140762 107.24 |
| 2590746 | | | P-UB-10 | 105 mm | 150 mm | CTC-2590743 171.76 |
| 2590746 | | | Bushing | 105 mm | | CTC-1140760 72.04 |
| 2590750 | | | P-UB-10 | 110 mm | 160 mm | CTC-2590751 315.76 |
| 2590750 | | | Bushing | 110 mm | | CTC-1140762 107.24 |
| JCD1-UP | | | | | | |
| 1709808 | | | P-UB-10 | 65 mm | 100 mm | CTC-1709941 177.94 |
| 1709808 | | | Bushing | 65 mm | | CTC-1140754 32.58 |
| 2959396 | | | P-UB-10 | 65 mm | 100 mm | CTC-1709941 177.94 |
| 2959396 | | | Bushing | 65 mm | | CTC-1140754 32.58 |
| JCD1-UP; JNK1-UP | | | | | | |
| 1589061 | | | P-U-10 | 85 mm | 120 mm | CTC-2366389 150.28 |
| 1589061 | | | Bushing | 85 mm | | CTC-1140756 47.03 |
| 2836132 | | | P-UB-10 | 85 mm | 120 mm | CTC-2366368 150.28 |
| 2836132 | | | Bushing | 85 mm | | CTC-1140756 47.03 |
| QUICK COUPLER | | | | | | |
| DKY1-UP | | | | | | |
| 1728403 | | | I-U-14 | 50 mm | 100 mm | CTC-2525507 218.41 |
| STICK | | | | | | |
| CAP1-UP; CGZ1-UP; JCD1-UP; JNK1-UP; MKM1-UP | | | | | | |
| 1915551 | | | P-UB-10 | 115 mm | 170 mm | CTC-2316844 435.81 |
| 1915551 | | | Bushing | 115 mm | | CTC-1915644 102.23 |
| CYA1-UP | | | | | | |
| 1915551 | | | P-UB-10 | 115 mm | 170 mm | CTC-1915649 435.81 |
| 1915551 | | | Bushing | 115 mm | | CTC-1915644 102.23 |
| CYA1-UP; GKX1-UP; JAB1-UP; KDD1-UP; MCA1-UP | | | | | | |
| 2897763 | | | P-UB-10 | 115 mm | 170 mm | CTC-2316844 435.81 |
| DKY1-UP | | | | | | |
| 1915551 | | | P-UB-10 | 115 mm | 170 mm | CTC-2316844 435.81 |
| 1915551 | | | Bushing | 115 mm | | CTC-1915644 102.23 |
| GKX1-UP; JAB1-UP; KDD1-UP; MCA1-UP | | | | | | |
| 1915551 | | | P-UB-10 | 115 mm | 170 mm | CTC-2316844 435.81 |
| 1915551 | | | Bushing | 115 mm | | CTC-1915644 102.23 |
| 1948273 | | | P-UB-10 | 115 mm | 170 mm | CTC-2316845 444.94 |
| 2897780 | | | P-UB-10 | 115 mm | 170 mm | CTC-2316845 444.94 |
| JAB1-UP; KDD1-UP | | | | | | |
| 2590767 | | | P-UB-10 | 115 mm | 170 mm | CTC-2590768 443.37 |
| 2897784 | | | P-UB-10 | 115 mm | 170 mm | CTC-2590768 443.37 |
| MKM1-UP | | | | | | |
| 2141591 | | | P-UB-10 | 90 mm | 130 mm | CTC-2119614 216.63 |
| 2141591 | | | Bushing | 90 mm | | CTC-1140758 54.25 |
| 2228776 | | | P-UB-10 | 100 mm | 140 mm | CTC-2159985 168.04 |
| 2228776 | | | Bushing | 100 mm | | CTC-1140757 66.11 |
| UNSPECIFIED APPLICATION | | | | | | |
| CAP1-UP; JCD1-UP; JNK1-UP | | | | | | |
| 1234121 | | | P-UB-10 | 2 | 4 | CTC-2409538 94.69 |

REPLACEMENT KITS FOR CATERPILLAR® EQUIPMENT

| Excavators | | | | | | | |
|---|-------|--------------------------------|---------|--------|--------|-------------|--------|
| APPLICATION | CYL # | Misc-Parts, Instructions, etc. | CODE | ROD | BORE | KIT # | |
| MODEL 330C LN | | | | | | | |
| BOOM | | | | | | | |
| CAP1-UP; CGZ1-UP | | | | | | | |
| 1915548 | | | P-UB-10 | 105 mm | 150 mm | CTC-1915619 | 222.49 |
| 1915548 | | | Bushing | 105 mm | | CTC-1140760 | 72.04 |
| 2255306 | | | P-UB-10 | 110 mm | 180 mm | CTC-2304001 | 360.32 |
| 2255306 | | | Bushing | 110 mm | | CTC-1140762 | 107.24 |
| 2502419 | | | P-UB-10 | 105 mm | 150 mm | CTC-2426840 | 240.72 |
| 2502419 | | | Bushing | 105 mm | | CTC-1140760 | 72.04 |
| BUCKET | | | | | | | |
| CAP1-UP; CGZ1-UP | | | | | | | |
| 1772465 | | | P-UB-10 | 105 mm | 150 mm | CTC-1915619 | 222.49 |
| 1772465 | | | Bushing | 105 mm | | CTC-1140760 | 72.04 |
| 1915554 | | | P-UB-10 | 110 mm | 160 mm | CTC-2159988 | 274.03 |
| 1915554 | | | Bushing | 110 mm | | CTC-1140762 | 107.24 |
| 2478853 | | | P-UB-10 | 105 mm | 150 mm | CTC-1915619 | 222.49 |
| 2478853 | | | Bushing | 105 mm | | CTC-1140760 | 72.04 |
| STICK | | | | | | | |
| CAP1-UP; CGZ1-UP | | | | | | | |
| 1915551 | | | P-UB-10 | 115 mm | 170 mm | CTC-2316844 | 435.81 |
| UNSPECIFIED APPLICATION | | | | | | | |
| CAP1-UP | | | | | | | |
| 1234121 | | | P-UB-10 | 2 | 4 | CTC-2409538 | 94.69 |
| MODEL 330D | | | | | | | |
| BOOM | | | | | | | |
| EAH1-UP; EDX1-UP; ERN1-UP; FFK1-UP; MEY1-UP; NBD1-UP; THJ1-UP | | | | | | | |
| 2344598 | | | P-UB-10 | 105 mm | 150 mm | CTC-2426840 | 240.72 |
| 2344598 | | | Bushing | 105 mm | | CTC-1140760 | 72.04 |
| EAH1-UP; FFK1-UP | | | | | | | |
| 3119517 | | | P-UB-10 | 105 mm | 150 mm | CTC-2426840 | 240.72 |
| 3119517 | | | Bushing | 105 mm | | CTC-1140760 | 72.04 |
| 3119524 | | | P-UB-10 | 105 mm | 150 mm | CTC-2502475 | 186.64 |
| 3119524 | | | Bushing | 105 mm | | CTC-1140760 | 72.04 |
| EAH1-UP; FFK1-UP; MEY1-UP; NBD1-UP | | | | | | | |
| 2344608 | | | P-UB-10 | 105 mm | 150 mm | CTC-2502475 | 186.64 |
| 2344608 | | | Bushing | 105 mm | | CTC-1140760 | 72.04 |
| EDX1-UP; MEY1-UP; NBD1-UP | | | | | | | |
| 2668074 | | | P-UB-10 | 105 mm | 150 mm | CTC-2590743 | 171.76 |
| 2668074 | | | Bushing | 105 mm | | CTC-1140760 | 72.04 |
| 2898021 | | | P-UB-10 | 105 mm | 150 mm | CTC-2426840 | 240.72 |
| 2898021 | | | Bushing | 105 mm | | CTC-1140760 | 72.04 |
| MEY1-UP; NBD1-UP | | | | | | | |
| 2898050 | | | P-UB-10 | 105 mm | 150 mm | CTC-2502475 | 186.64 |
| 2898050 | | | Bushing | 105 mm | | CTC-1140760 | 72.04 |
| BUCKET | | | | | | | |
| EAH1-UP; EDX1-UP; ERN1-UP; FFK1-UP; MEY1-UP; NBD1-UP; THJ1-UP | | | | | | | |
| 2254581 | | | P-UB-10 | 105 mm | 150 mm | CTC-1915619 | 222.49 |
| 2254581 | | | Bushing | 105 mm | | CTC-1140760 | 72.04 |
| 2344604 | | | P-UB-10 | 110 mm | 160 mm | CTC-2254625 | 370.05 |
| 2344604 | | | Bushing | 110 mm | | CTC-1140762 | 107.24 |
| EAH1-UP; FFK1-UP; MEY1-UP; NBD1-UP | | | | | | | |
| 2254602 | | | P-UB-10 | 105 mm | 150 mm | CTC-2502475 | 186.64 |
| 2254602 | | | Bushing | 105 mm | | CTC-1140760 | 72.04 |
| 2344614 | | | P-UB-10 | 110 mm | 160 mm | CTC-1948235 | 324.60 |
| 2344614 | | | Bushing | 110 mm | | CTC-1140762 | 107.24 |

REPLACEMENT KITS FOR CATERPILLAR® EQUIPMENT

| Excavators | | | | | | | |
|---|-------|--------------------------------|---------|--------|--------|-------------|--------|
| APPLICATION | CYL # | Misc-Parts, Instructions, etc. | CODE | ROD | BORE | KIT # | |
| MODEL 330D | | | | | | | |
| BUCKET | | | | | | | |
| EDX1-UP; MEY1-UP; NBD1-UP | | | | | | | |
| 2668083 | | | P-UB-10 | 110 mm | 160 mm | CTC-2590751 | 315.76 |
| 2668083 | | | Bushing | 110 mm | | CTC-1140762 | 107.24 |
| ERN1-UP; THJ1-UP | | | | | | | |
| 2426767 | | | P-UB-10 | 85 mm | 120 mm | CTC-2478790 | 150.28 |
| 2426767 | | | Bushing | 85 mm | | CTC-1140756 | 47.03 |
| 2898012 | | | P-UB-10 | 105 mm | 150 mm | CTC-1915619 | 222.49 |
| 2898012 | | | Bushing | 105 mm | | CTC-1140760 | 72.04 |
| 2898041 | | | P-UB-10 | 110 mm | 160 mm | CTC-2254625 | 370.05 |
| 2898041 | | | Bushing | 110 mm | | CTC-1140762 | 107.24 |
| STICK | | | | | | | |
| EAH1-UP; EDX1-UP; ERN1-UP; FFK1-UP; MEY1-UP; NBD1-UP; THJ1-UP | | | | | | | |
| 2344601 | | | P-UB-10 | 115 mm | 170 mm | CTC-2316844 | 435.81 |
| 2836188 | | | P-UB-10 | 115 mm | 170 mm | CTC-2316844 | 435.81 |
| EAH1-UP; FFK1-UP; MEY1-UP; NBD1-UP | | | | | | | |
| 2836194 | | | P-UB-10 | 115 mm | 170 mm | CTC-2316845 | 444.94 |
| EDX1-UP; MEY1-UP; NBD1-UP | | | | | | | |
| 2668077 | | | P-UB-10 | 115 mm | 170 mm | CTC-2590768 | 443.37 |
| 2836195 | | | P-UB-10 | 115 mm | 170 mm | CTC-2590768 | 443.37 |
| 2898031 | | | P-UB-10 | 115 mm | 170 mm | CTC-2316844 | 435.81 |
| MEY1-UP; NBD1-UP | | | | | | | |
| 2344611 | | | P-UB-10 | 115 mm | 170 mm | CTC-2316845 | 444.94 |
| 2898053 | | | P-UB-10 | 115 mm | 170 mm | CTC-2316845 | 444.94 |
| MODEL 330D L | | | | | | | |
| BOOM | | | | | | | |
| B6H1-UP; EAH1-UP; EDX1-UP; FFK1-UP; GGE1-UP; HAS1-UP; JLP1-UP; MAG1-UP; MEY1-UP; MWP1-UP; NBD1-UP; RAS1-UP; T2Y1-UP | | | | | | | |
| 2344598 | | | P-UB-10 | 105 mm | 150 mm | CTC-2426840 | 240.72 |
| 2344598 | | | Bushing | 105 mm | | CTC-1140760 | 72.04 |
| B6H1-UP; EDX1-UP; GGE1-UP; JLP1-UP; LRM1-UP; MEY1-UP; MWP1-UP; NBD1-UP; RAS1-UP; T2Y1-UP | | | | | | | |
| 2898021 | | | P-UB-10 | 105 mm | 150 mm | CTC-2426840 | 240.72 |
| 2898021 | | | Bushing | 105 mm | | CTC-1140760 | 72.04 |
| EAH1-UP; FFK1-UP | | | | | | | |
| 3119517 | | | P-UB-10 | 105 mm | 150 mm | CTC-2426840 | 240.72 |
| 3119517 | | | Bushing | 105 mm | | CTC-1140760 | 72.04 |
| 3119524 | | | P-UB-10 | 105 mm | 150 mm | CTC-2502475 | 186.64 |
| 3119524 | | | Bushing | 105 mm | | CTC-1140760 | 72.04 |
| EAH1-UP; FFK1-UP; MEY1-UP; NBD1-UP | | | | | | | |
| 2344608 | | | P-UB-10 | 105 mm | 150 mm | CTC-2502475 | 186.64 |
| 2344608 | | | Bushing | 105 mm | | CTC-1140760 | 72.04 |
| EDX1-UP; MEY1-UP; NBD1-UP | | | | | | | |
| 2668074 | | | P-UB-10 | 105 mm | 150 mm | CTC-2590743 | 171.76 |
| 2668074 | | | Bushing | 105 mm | | CTC-1140760 | 72.04 |
| GGE1-UP; RAS1-UP | | | | | | | |
| 2255306 | | | P-UB-10 | 110 mm | 180 mm | CTC-2304001 | 360.32 |
| 2255306 | | | Bushing | 110 mm | | CTC-1140762 | 107.24 |
| MEY1-UP; NBD1-UP | | | | | | | |
| 2898050 | | | P-UB-10 | 105 mm | 150 mm | CTC-2502475 | 186.64 |
| 2898050 | | | Bushing | 105 mm | | CTC-1140760 | 72.04 |
| BUCKET | | | | | | | |
| B6H1-UP; EAH1-UP; EDX1-UP; FFK1-UP; GGE1-UP; HAS1-UP; JLP1-UP; MAG1-UP; MEY1-UP; MWP1-UP; NBD1-UP; RAS1-UP; T2Y1-UP | | | | | | | |
| 2254581 | | | P-UB-10 | 105 mm | 150 mm | CTC-1915619 | 222.49 |
| 2254581 | | | Bushing | 105 mm | | CTC-1140760 | 72.04 |

REPLACEMENT KITS FOR CATERPILLAR® EQUIPMENT

| Excavators | | | | | | | |
|--|-------|--------------------------------|---------|--------|--------|-------------|--------|
| APPLICATION | CYL # | Misc-Parts, Instructions, etc. | CODE | ROD | BORE | KIT # | |
| MODEL 330D L | | | | | | | |
| BUCKET | | | | | | | |
| B6H1-UP; EAH1-UP; EDX1-UP; FFK1-UP; GGE1-UP; JLP1-UP; MEY1-UP; NBD1-UP; RAS1-UP; T2Y1-UP | | | | | | | |
| 2344604 | | | P-UB-10 | 110 mm | 160 mm | CTC-2254625 | 370.05 |
| 2344604 | | | Bushing | 110 mm | | CTC-1140762 | 107.24 |
| B6H1-UP; GGE1-UP; HAS1-UP; JLP1-UP; LRM1-UP; MWP1-UP; RAS1-UP; T2Y1-UP | | | | | | | |
| 2898012 | | | P-UB-10 | 105 mm | 150 mm | CTC-1915619 | 222.49 |
| 2898012 | | | Bushing | 105 mm | | CTC-1140760 | 72.04 |
| EAH1-UP; FFK1-UP; MEY1-UP; NBD1-UP | | | | | | | |
| 2254602 | | | P-UB-10 | 105 mm | 150 mm | CTC-2502475 | 186.64 |
| 2254602 | | | Bushing | 105 mm | | CTC-1140760 | 72.04 |
| 2344614 | | | P-UB-10 | 110 mm | 160 mm | CTC-1948235 | 324.60 |
| 2344614 | | | Bushing | 110 mm | | CTC-1140762 | 107.24 |
| EDX1-UP; MEY1-UP; NBD1-UP | | | | | | | |
| 2668083 | | | P-UB-10 | 110 mm | 160 mm | CTC-2590751 | 315.76 |
| 2668083 | | | Bushing | 110 mm | | CTC-1140762 | 107.24 |
| GGE1-UP; HAS1-UP; LRM1-UP; MWP1-UP; RAS1-UP; T2Y1-UP | | | | | | | |
| 2898041 | | | P-UB-10 | 110 mm | 160 mm | CTC-2254625 | 370.05 |
| 2898041 | | | Bushing | 110 mm | | CTC-1140762 | 107.24 |
| MWP1-UP | | | | | | | |
| 2254529 | | | P-UB-10 | 110 mm | 160 mm | CTC-2254625 | 370.05 |
| 2254529 | | | Bushing | 110 mm | | CTC-1140762 | 107.24 |
| QUICK COUPLER | | | | | | | |
| B6H1-UP; JLP1-UP | | | | | | | |
| 1690753 | | | P-U-5 | 40 mm | 70 mm | CTC-2191322 | 47.37 |
| STICK | | | | | | | |
| B6H1-UP; EAH1-UP; EDX1-UP; FFK1-UP; GGE1-UP; HAS1-UP; JLP1-UP; MEY1-UP; MWP1-UP; NBD1-UP; RAS1-UP; T2Y1-UP | | | | | | | |
| 2344601 | | | P-UB-10 | 115 mm | 170 mm | CTC-2316844 | 435.81 |
| B6H1-UP; EDX1-UP; GGE1-UP; MEY1-UP; NBD1-UP; RAS1-UP; T2Y1-UP; JLP1-UP; LRM1-UP | | | | | | | |
| 2898031 | | | P-UB-10 | 115 mm | 170 mm | CTC-2316844 | 435.81 |
| EAH1-UP; EDX1-UP; FFK1-UP; HAS1-UP; MAG1-UP; MEY1-UP; NBD1-UP; T2Y1-UP | | | | | | | |
| 2836188 | | | P-UB-10 | 115 mm | 170 mm | CTC-2316844 | 435.81 |
| EAH1-UP; FFK1-UP; MEY1-UP; NBD1-UP | | | | | | | |
| 2836194 | | | P-UB-10 | 115 mm | 170 mm | CTC-2316845 | 444.94 |
| EDX1-UP; MEY1-UP; NBD1-UP | | | | | | | |
| 2668077 | | | P-UB-10 | 115 mm | 170 mm | CTC-2590768 | 443.37 |
| 2836195 | | | P-UB-10 | 115 mm | 170 mm | CTC-2590768 | 443.37 |
| MEY1-UP; NBD1-UP | | | | | | | |
| 2344611 | | | P-UB-10 | 115 mm | 170 mm | CTC-2316845 | 444.94 |
| 2898053 | | | P-UB-10 | 115 mm | 170 mm | CTC-2316845 | 444.94 |
| MWP1-UP | | | | | | | |
| 2898031 | | | P-UB-10 | 115 mm | 170 mm | CTC-2316844 | 435.81 |
| MODEL 330D N | | | | | | | |
| BOOM | | | | | | | |
| GGE1-UP; RAS1-UP | | | | | | | |
| 2255306 | | | P-UB-10 | 110 mm | 180 mm | CTC-2304001 | 360.32 |
| 2255306 | | | Bushing | 110 mm | | CTC-1140762 | 107.24 |
| 2344598 | | | P-UB-10 | 105 mm | 150 mm | CTC-2426840 | 240.72 |
| 2344598 | | | Bushing | 105 mm | | CTC-1140760 | 72.04 |
| 2898021 | | | P-UB-10 | 105 mm | 150 mm | CTC-2426840 | 240.72 |
| 2898021 | | | Bushing | 105 mm | | CTC-1140760 | 72.04 |

REPLACEMENT KITS FOR CATERPILLAR® EQUIPMENT

| Excavators | | | | | | | |
|------------------------------------|-------|--------------------------------|-------------|--------|--------|--------------|--------|
| APPLICATION | CYL # | Misc-Parts, Instructions, etc. | CODE | ROD | BORE | KIT # | |
| MODEL 330D N | | | | | | | |
| BUCKET | | | | | | | |
| GGE1-UP; RAS1-UP | | | | | | | |
| 2254581 | | | P-UB-10 | 105 mm | 150 mm | CTC-1915619 | 222.49 |
| 2254581 | | | Bushing | 105 mm | | CTC-1140760 | 72.04 |
| 2344604 | | | P-UB-10 | 110 mm | 160 mm | CTC-2254625 | 370.05 |
| 2344604 | | | Bushing | 110 mm | | CTC-1140762 | 107.24 |
| 2898012 | | | P-UB-10 | 105 mm | 150 mm | CTC-1915619 | 222.49 |
| 2898012 | | | Bushing | 105 mm | | CTC-1140760 | 72.04 |
| 2898041 | | | P-UB-10 | 110 mm | 160 mm | CTC-2254625 | 370.05 |
| 2898041 | | | Bushing | 110 mm | | CTC-1140762 | 107.24 |
| STICK | | | | | | | |
| GGE1-UP; RAS1-UP | | | | | | | |
| 2344601 | | | P-UB-10 | 115 mm | 170 mm | CTC-2316844 | 435.81 |
| 2898031 | | | P-UB-10 | 115 mm | 170 mm | CTC-2316844 | 435.81 |
| MODEL 330F | | | | | | | |
| BOOM | | | | | | | |
| LNX1-UP | | | | | | | |
| 3412172 | | | P-UB-10 | 100 mm | 140 mm | CTC-4560200 | 264.52 |
| 3412172 | | | Bushing | 100 mm | | CTC-0965625 | 65.58 |
| TRACK ADJUSTER | | | | | | | |
| LNX1-UP | | | | | | | |
| 2979150 | | | TRK ADJ | | | CTC-SK100115 | 76.66 |
| MODEL 330F L | | | | | | | |
| BOOM | | | | | | | |
| GHT1-UP; HCK1-UP; LCG1-UP; MBX1-UP | | | | | | | |
| 3412172 | | | P-UB-10 | 100 mm | 140 mm | CTC-4560200 | 264.52 |
| 3412172 | | | Bushing | 100 mm | | CTC-0965625 | 65.58 |
| BUCKET | | | | | | | |
| GHT1-UP; HCK1-UP; LCG1-UP; MBX1-UP | | | | | | | |
| 3412182 | | | P-UB-10 | 95 mm | 135 mm | CTC-4560209 | 214.30 |
| 3412182 | | | Bushing | 95 mm | | CTC-0964430 | 47.85 |
| HCK1-UP; LCG1-UP; MBX1-UP | | | | | | | |
| 3550712 | | | P-UB-10 | 95 mm | 135 mm | CTC-3979295 | 336.69 |
| 3550712 | | | Bushing | 95 mm | | CTC-1289260 | 56.30 |
| 3852834 | | | P-UB-14 | 70 mm | 100 mm | CTC-3904227 | 306.68 |
| 3852834 | | | Bushing | 70 mm | | CTC-3904158 | 31.10 |
| LCG1-UP; MBX1-UP | | | | | | | |
| 3579766 | | | P-UB-10 | 105 mm | 150 mm | CTC-5185138 | 223.63 |
| 3579766 | | | Bushing | 105 mm | | CTC-1140760 | 72.04 |
| COUPLER | | | | | | | |
| HCK1-UP; MBX1-UP | | | | | | | |
| 3897213 | | | Chk Vlv Kit | | | CTC-2138433 | 17.12 |
| 3897213 | | | I-U-10 | 1-1/2 | 2-1/2 | CTC-4536523 | 21.00 |
| MBX1-UP | | | | | | | |
| 2948011 | | | P-U-10,12 | 2 | 3-1/2 | CTC-3460643 | 60.25 |
| STICK | | | | | | | |
| GHT1-UP; HCK1-UP; LCG1-UP; MBX1-UP | | | | | | | |
| 3412177 | | | P-UB-10 | 105 mm | 150 mm | CTC-4560205 | 307.70 |
| 3412177 | | | Bushing | 105 mm | | CTC-0995572 | 56.41 |
| 5656417 | | | P-UB-10 | 105 mm | 150 mm | CTC-4560205 | 307.70 |
| 5656417 | | | Bushing | 105 mm | | CTC-0995572 | 56.41 |
| HCK1-UP | | | | | | | |
| 2166607 | | | P-UB-10 | 105 mm | 150 mm | CTC-5551814 | 236.43 |
| 2166607 | | | Bushing | 105 mm | | CTC-1140760 | 72.04 |

REPLACEMENT KITS FOR CATERPILLAR® EQUIPMENT

| Excavators | | | | | | | |
|--|---------|--------------------------------|-------------|--------|--------|--------------|--------|
| APPLICATION | CYL # | Misc-Parts, Instructions, etc. | CODE | ROD | BORE | KIT # | |
| MODEL 330F L | | | | | | | |
| STICK | | | | | | | |
| LCG1-UP; MBX1-UP | | | | | | | |
| | 2166607 | | P-UB-10 | 105 mm | 150 mm | CTC-5185133 | 236.43 |
| | 2166607 | | Bushing | 105 mm | | CTC-1140760 | 72.04 |
| TRACK ADJUSTER | | | | | | | |
| GHT1-UP; HCK1-UP; LCG1-UP; MBX1-UP | | | | | | | |
| | 2979150 | | TRK ADJ | | | CTC-SK100115 | 76.66 |
| MODEL 330F LN | | | | | | | |
| BOOM | | | | | | | |
| HBT1-UP; JFR1-UP; JHF1-UP; KFA1-UP; LBN1-UP; WBA1-UP | | | | | | | |
| | 3412172 | | P-UB-10 | 100 mm | 140 mm | CTC-4560200 | 264.52 |
| | 3412172 | | Bushing | 100 mm | | CTC-0965625 | 65.58 |
| BUCKET | | | | | | | |
| HBT1-UP; JFR1-UP; JHF1-UP; KFA1-UP; LBN1-UP; WBA1-UP | | | | | | | |
| | 3412182 | | P-UB-10 | 95 mm | 135 mm | CTC-4560209 | 214.30 |
| | 3412182 | | Bushing | 95 mm | | CTC-0964430 | 47.85 |
| | 3550712 | | P-UB-10 | 95 mm | 135 mm | CTC-3979295 | 336.69 |
| | 3550712 | | Bushing | 95 mm | | CTC-1289260 | 56.30 |
| LBN1-UP; WBA1-UP | | | | | | | |
| | 3579766 | | P-UB-10 | 105 mm | 150 mm | CTC-5185138 | 223.63 |
| | 3579766 | | Bushing | 105 mm | | CTC-1140760 | 72.04 |
| COUPLER | | | | | | | |
| JHF1-UP; KFA1-UP | | | | | | | |
| | 3897213 | | Chk Vlv Kit | | | CTC-2138433 | 17.12 |
| | 3897213 | | I-U-10 | 1-1/2 | 2-1/2 | CTC-4536523 | 21.00 |
| LBN1-UP; WBA1-UP | | | | | | | |
| | 1690753 | | P-U-5 | 40 mm | 70 mm | CTC-2191322 | 47.37 |
| STICK | | | | | | | |
| HBT1-UP; JFR1-UP; JHF1-UP; KFA1-UP | | | | | | | |
| | 5656417 | | P-UB-10 | 105 mm | 150 mm | CTC-4560205 | 307.70 |
| | 5656417 | | Bushing | 105 mm | | CTC-0995572 | 56.41 |
| HBT1-UP; JFR1-UP; JHF1-UP; KFA1-UP; LBN1-UP; WBA1-UP | | | | | | | |
| | 3412177 | | P-UB-10 | 105 mm | 150 mm | CTC-4560205 | 307.70 |
| | 3412177 | | Bushing | 105 mm | | CTC-0995572 | 56.41 |
| LBN1-UP; WBA1-UP | | | | | | | |
| | 2166607 | | P-UB-10 | 105 mm | 150 mm | CTC-5185133 | 236.43 |
| | 2166607 | | Bushing | 105 mm | | CTC-1140760 | 72.04 |
| TRACK ADJUSTER | | | | | | | |
| HBT1-UP; JFR1-UP; JHF1-UP; KFA1-UP; LBN1-UP; WBA1-UP | | | | | | | |
| | 2979150 | | TRK ADJ | | | CTC-SK100115 | 76.66 |
| MODEL 330L | | | | | | | |
| BOOM | | | | | | | |
| | 7Y4906 | | P-UB-10 | 105 mm | 150 mm | CTC-1163612 | 413.90 |
| BUCKET | | | | | | | |
| | 1183921 | | P-UB-10 | 105 mm | 150 mm | CTC-1163612 | 413.90 |
| | 1183935 | | P-UB-10 | 110 mm | 160 mm | CTC-1183946 | 494.66 |
| | 411726 | | P-UB-10 | 110 mm | 160 mm | CTC-0876654 | 437.78 |
| | 7Y5100 | | P-UB-10 | 85 mm | 130 mm | CTC-7Y5145 | 366.57 |
| | 7Y5150 | | P-UB-10 | 105 mm | 150 mm | CTC-1163612 | 413.90 |
| | 875531 | | P-UB-10 | 110 mm | 160 mm | CTC-0876654 | 437.78 |
| STICK | | | | | | | |
| | 1163638 | | P-UB-10 | 110 mm | 170 mm | CTC-1163649 | 390.69 |
| | 7Y4926 | | P-UB-10 | 110 mm | 170 mm | CTC-1163649 | 390.69 |
| TILT | | | | | | | |
| | 1163578 | | P-UB-10 | 105 mm | 150 mm | CTC-1163612 | 413.90 |

REPLACEMENT KITS FOR CATERPILLAR® EQUIPMENT

| Excavators | | | | | | | |
|-----------------------|-------|--------------------------------|-------------|--------|--------|--------------|--------|
| APPLICATION | CYL # | Misc-Parts, Instructions, etc. | CODE | ROD | BORE | KIT # | |
| MODEL 335F L | | | | | | | |
| BLADE LH | | | | | | | |
| FEP1-UP; SGJ1-UP | | | | | | | |
| 1913288 | | | P-UB-10 | 100 mm | 140 mm | CTC-4661538 | 250.83 |
| 1913288 | | | Bushing | 100 mm | | CTC-0965625 | 65.58 |
| BLADE RH | | | | | | | |
| FEP1-UP; SGJ1-UP | | | | | | | |
| 1913286 | | | P-UB-10 | 100 mm | 140 mm | CTC-4661538 | 250.83 |
| 1913286 | | | Bushing | 100 mm | | CTC-0965625 | 65.58 |
| BOOM | | | | | | | |
| FEP1-UP; SGJ1-UP | | | | | | | |
| 3991890 | | | P-UB-10 | 100 mm | 140 mm | CTC-4560200 | 264.52 |
| 3991890 | | | Bushing | 100 mm | | CTC-0965625 | 65.58 |
| BUCKET | | | | | | | |
| FEP1-UP; SGJ1-UP | | | | | | | |
| 3412182 | | | P-UB-10 | 95 mm | 135 mm | CTC-4560209 | 214.30 |
| 3412182 | | | Bushing | 95 mm | | CTC-0964430 | 47.85 |
| SGJ1-UP | | | | | | | |
| 3412177 | | | P-UB-10 | 105 mm | 150 mm | CTC-4560205 | 307.70 |
| 3412177 | | | Bushing | 105 mm | | CTC-0995572 | 56.41 |
| COUPLER | | | | | | | |
| FEP1-UP; SGJ1-UP | | | | | | | |
| 3897213 | | | Chk Vlv Kit | | | CTC-2138433 | 17.12 |
| 3897213 | | | I-U-10 | 1-1/2 | 2-1/2 | CTC-4536523 | 21.00 |
| STICK | | | | | | | |
| FEP1-UP; SGJ1-UP | | | | | | | |
| 5656417 | | | P-UB-10 | 105 mm | 150 mm | CTC-4560205 | 307.70 |
| 5656417 | | | Bushing | 105 mm | | CTC-0995572 | 56.41 |
| TRACK ADJUSTER | | | | | | | |
| FEP1-UP; SGJ1-UP | | | | | | | |
| 2979151 | | | TRK ADJ | | | CTC-SK100116 | 186.38 |
| MODEL 335F LCR | | | | | | | |
| BLADE LH | | | | | | | |
| KNE1-UP | | | | | | | |
| 1913288 | | | P-UB-10 | 100 mm | 140 mm | CTC-4661538 | 250.83 |
| 1913288 | | | Bushing | 100 mm | | CTC-0965625 | 65.58 |
| BLADE RH | | | | | | | |
| KNE1-UP | | | | | | | |
| 1913286 | | | P-UB-10 | 100 mm | 140 mm | CTC-4661538 | 250.83 |
| 1913286 | | | Bushing | 100 mm | | CTC-0965625 | 65.58 |
| BOOM | | | | | | | |
| KNE1-UP | | | | | | | |
| 3991890 | | | P-UB-10 | 100 mm | 140 mm | CTC-4560200 | 264.52 |
| 3991890 | | | Bushing | 100 mm | | CTC-0965625 | 65.58 |
| BUCKET | | | | | | | |
| KNE1-UP | | | | | | | |
| 3412182 | | | P-UB-10 | 95 mm | 135 mm | CTC-4560209 | 214.30 |
| 3412182 | | | Bushing | 95 mm | | CTC-0964430 | 47.85 |
| COUPLER | | | | | | | |
| KNE1-UP | | | | | | | |
| 2948011 | | | P-U-10,12 | 2 | 3-1/2 | CTC-3460643 | 60.25 |
| 3897213 | | | Chk Vlv Kit | | | CTC-2138433 | 17.12 |
| 3897213 | | | I-U-10 | 1-1/2 | 2-1/2 | CTC-4536523 | 21.00 |

CATERPILLAR®

REPLACEMENT KITS FOR CATERPILLAR® EQUIPMENT

| Excavators | | | | | | | |
|------------------------------------|-------------------|--------------------------------|-----------|--------|--------|--------------|--------|
| APPLICATION | CYL # | Misc-Parts, Instructions, etc. | CODE | ROD | BORE | KIT # | |
| MODEL 335F LCR | | | | | | | |
| STICK | | | | | | | |
| KNE1-UP | | | | | | | |
| 3412177 | | | P-UB-10 | 105 mm | 150 mm | CTC-4560205 | 307.70 |
| 3412177 | | | Bushing | 105 mm | | CTC-0995572 | 56.41 |
| 5656417 | | | P-UB-10 | 105 mm | 150 mm | CTC-4560205 | 307.70 |
| 5656417 | | | Bushing | 105 mm | | CTC-0995572 | 56.41 |
| TRACK ADJUSTER | | | | | | | |
| KNE1-UP | | | | | | | |
| 2979151 | | | TRK ADJ | | | CTC-SK100116 | 186.38 |
| MODEL 336D | | | | | | | |
| BOOM | | | | | | | |
| JBT1-UP | | | | | | | |
| 3119517 | | | P-UB-10 | 105 mm | 150 mm | CTC-3249485 | 257.86 |
| JBT1-UP; KKT1-UP; PGW1-UP | | | | | | | |
| 3119524 | | | P-UB-10 | 105 mm | 150 mm | CTC-2502475 | 186.64 |
| KKT1-UP | | | | | | | |
| 3119531 | | | P-UB-10 | 105 mm | 150 mm | CTC-2502475 | 186.64 |
| KKT1-UP; PGW1-UP | | | | | | | |
| 3119517 | | | P-UB-10 | 105 mm | 150 mm | CTC-2426840 | 240.72 |
| 3119525 | | | P-UB-10 | 105 mm | 150 mm | CTC-2590743 | 171.76 |
| 3119526 | | | P-UB-10 | 105 mm | 150 mm | CTC-2426840 | 240.72 |
| MYP1-UP | | | | | | | |
| 2255306 | Variable Adj Boom | | P-UB-10 | 110 mm | 180 mm | CTC-2304001 | 360.32 |
| PGW1-UP | | | | | | | |
| 3119531 | | | P-UB-10 | 105 mm | 150 mm | CTC-3764334 | 257.86 |
| BUCKET | | | | | | | |
| JBT1-UP; KKT1-UP; PGW1-UP | | | | | | | |
| 3154442 | | | P-UB-10 | 105 mm | 150 mm | CTC-1915619 | 222.49 |
| 3154442 | | | P-UB-10 | 105 mm | 150 mm | CTC-3764331 | 215.87 |
| 3154449 | | | P-UB-10 | 105 mm | 150 mm | CTC-3764332 | 215.87 |
| 3154463 | | | P-UB-10 | 110 mm | 160 mm | CTC-2254625 | 370.05 |
| 3154471 | | | P-UB-10 | 110 mm | 160 mm | CTC-1948235 | 324.60 |
| JBT1-UP; PGW1-UP | | | | | | | |
| 3154463 | | | P-UB-10 | 110 mm | 160 mm | CTC-3338750 | 236.68 |
| KKT1-UP | | | | | | | |
| 2668083 | | | P-UB-10 | 110 mm | 160 mm | CTC-2590751 | 315.76 |
| 2898041 | | | P-UB-10 | 110 mm | 160 mm | CTC-2254625 | 370.05 |
| KKT1-UP; MYG1-UP; MYP1-UP; PGW1-UP | | | | | | | |
| 3154451 | | | P-UB-10 | 105 mm | 150 mm | CTC-1915619 | 222.49 |
| KKT1-UP; PGW1-UP | | | | | | | |
| 3154450 | | | P-UB-10 | 105 mm | 150 mm | CTC-2590743 | 171.76 |
| 3154455 | | | P-UB-10 | 105 mm | 150 mm | CTC-2502475 | 186.64 |
| 3154472 | | | P-UB-10 | 110 mm | 160 mm | CTC-2590751 | 315.76 |
| 3154473 | | | P-UB-10 | 110 mm | 160 mm | CTC-2254625 | 370.05 |
| 3154474 | | | P-UB-10 | 110 mm | 160 mm | CTC-1948235 | 324.60 |
| MYG1-UP; MYP1-UP | | | | | | | |
| 3154473 | | | P-UB-10 | 110 mm | 160 mm | CTC-3338750 | 236.68 |
| COUPLER | | | | | | | |
| KKT1-UP; PGW1-UP | | | | | | | |
| 2948011 | | | P-U-10,12 | 2 | 3-1/2 | CTC-3460643 | 60.25 |
| MYG1-UP; MYP1-UP | | | | | | | |
| 1690753 | | | P-U-5 | 40 mm | 70 mm | CTC-2191322 | 47.37 |
| STICK | | | | | | | |
| JBT1-UP; KKT1-UP; PGW1-UP | | | | | | | |
| 2836188 | | | P-UB-10 | 115 mm | 170 mm | CTC-2316844 | 435.81 |
| 2836194 | | | P-UB-10 | 115 mm | 170 mm | CTC-2316845 | 444.94 |

REPLACEMENT KITS FOR CATERPILLAR® EQUIPMENT

| Excavators | | | | | | | |
|---|-------------------|--------------------------------|---------|--------|--------|-------------|--------|
| APPLICATION | CYL # | Misc-Parts, Instructions, etc. | CODE | ROD | BORE | KIT # | |
| MODEL 336D | | | | | | | |
| STICK | | | | | | | |
| KKT1-UP | | | | | | | |
| 2898031 | | | P-UB-10 | 115 mm | 170 mm | CTC-2316844 | 435.81 |
| KKT1-UP; PGW1-UP | | | | | | | |
| 2836188 | | | P-UB-10 | 115 mm | 170 mm | CTC-3198295 | 317.36 |
| 2836194 | | | P-UB-10 | 115 mm | 170 mm | CTC-3764333 | 317.36 |
| 2836195 | | | P-UB-10 | 115 mm | 170 mm | CTC-2590768 | 443.37 |
| 2898053 | | | P-UB-10 | 115 mm | 170 mm | CTC-2316845 | 444.94 |
| MYP1-UP; PGW1-UP | | | | | | | |
| 2898031 | | | P-UB-10 | 115 mm | 170 mm | CTC-3198295 | 317.36 |
| MODEL 336D L | | | | | | | |
| BOOM | | | | | | | |
| DTS1-UP; J2F1-UP; JBF1-UP; JWR1-UP; KDJ1-UP; L5X1-UP; LMG1-UP; MDS1-UP; PPN1-UP; PRF1-UP; PTB1-UP; WET1-UP; W3K1-UP; WRKZ-UP; ZML1-UP | | | | | | | |
| 3119526 | | | P-UB-10 | 105 mm | 150 mm | CTC-2426840 | 240.72 |
| J2F1-UP; MDS1-UP; W3K1-UP; ZML1-UP | | | | | | | |
| 3585972 | | | P-UB-10 | 105 mm | 150 mm | CTC-3249485 | 257.86 |
| KDJ1-UP | | | | | | | |
| 2255306 | Variable Adj Boom | | P-UB-10 | 110 mm | 180 mm | CTC-2304001 | 360.32 |
| M4T1-UP | | | | | | | |
| 2898021 | | | P-UB-10 | 105 mm | 150 mm | CTC-2426840 | 240.72 |
| MPL1-UP | | | | | | | |
| 3119517 | | | P-UB-10 | 105 mm | 150 mm | CTC-3249485 | 257.86 |
| MPL1-UP; PRF1-UP; WRK1-UP | | | | | | | |
| 3119524 | | | P-UB-10 | 105 mm | 150 mm | CTC-2502475 | 186.64 |
| PRF1-UP | | | | | | | |
| 3119531 | | | P-UB-10 | 105 mm | 150 mm | CTC-2502475 | 186.64 |
| PRF1-UP; WRK1-UP | | | | | | | |
| 3119517 | | | P-UB-10 | 105 mm | 150 mm | CTC-2426840 | 240.72 |
| 3119525 | | | P-UB-10 | 105 mm | 150 mm | CTC-2590743 | 171.76 |
| WRK1-UP | | | | | | | |
| 3119531 | | | P-UB-10 | 105 mm | 150 mm | CTC-3764334 | 257.86 |
| BUCKET | | | | | | | |
| DTS1-UP; J2F1-UP; JBF1-UP; JWR1-UP; KDJ1-UP; LMG1-UP; MDS1-UP; PPN1-UP; PTB1-UP; WET1-UP; W3K1-UP | | | | | | | |
| 3154473 | | | P-UB-10 | 110 mm | 160 mm | CTC-3338750 | 236.68 |
| DTS1-UP; J2F1-UP; JBF1-UP; JWR1-UP; KDJ1-UP; LMG1-UP; PPN1-UP; PRF1-UP; PTB1-UP; WET1-UP; W3K1-UP; WRK1-UP; ZML1-UP | | | | | | | |
| 3154451 | | | P-UB-10 | 105 mm | 150 mm | CTC-1915619 | 222.49 |
| DTS1-UP; JBF1-UP; JWR1-UP; LMG1-UP | | | | | | | |
| 2897948 | | | P-UB-10 | 85 mm | 120 mm | CTC-2478790 | 150.28 |
| J2F1-UP; M4T1-UP | | | | | | | |
| 2898012 | | | P-UB-10 | 105 mm | 150 mm | CTC-1915619 | 222.49 |
| J2F1-UP; MDS1-UP; W3K1-UP; ZML1-UP | | | | | | | |
| 3579784 | | | P-UB-10 | 110 mm | 160 mm | CTC-3338750 | 236.68 |
| 3588482 | | | P-UB-10 | 110 mm | 160 mm | CTC-3338750 | 236.68 |
| J2F1-UP; W3K1-UP; ZML1-UP | | | | | | | |
| 3579766 | | | P-UB-10 | 105 mm | 150 mm | CTC-3764331 | 215.87 |
| M4T1-UP; PRF1-UP | | | | | | | |
| 2898041 | | | P-UB-10 | 110 mm | 160 mm | CTC-2254625 | 370.05 |
| MPL1-UP; PRF1-UP; WRK1-UP | | | | | | | |
| 3154442 | | | P-UB-10 | 105 mm | 150 mm | CTC-1915619 | 222.49 |
| 3154442 | | | P-UB-10 | 105 mm | 150 mm | CTC-3764331 | 215.87 |
| 3154449 | | | P-UB-10 | 105 mm | 150 mm | CTC-3764332 | 215.87 |
| 3154463 | | | P-UB-10 | 110 mm | 160 mm | CTC-2254625 | 370.05 |
| 3154471 | | | P-UB-10 | 110 mm | 160 mm | CTC-1948235 | 324.60 |
| MPL1-UP; WRK1-UP | | | | | | | |
| 3154463 | | | P-UB-10 | 110 mm | 160 mm | CTC-3338750 | 236.68 |

CATERPILLAR®

REPLACEMENT KITS FOR CATERPILLAR® EQUIPMENT

| Excavators | | | | | | |
|---|-------|--------------------------------|-----------|--------|--------|--------------------|
| APPLICATION | CYL # | Misc-Parts, Instructions, etc. | CODE | ROD | BORE | KIT # |
| MODEL 336D L | | | | | | |
| BUCKET | | | | | | |
| PRF1-UP | | | | | | |
| 2668083 | | | P-UB-10 | 110 mm | 160 mm | CTC-2590751 315.76 |
| PRF1-UP; WRK1-UP | | | | | | |
| 3154450 | | | P-UB-10 | 105 mm | 150 mm | CTC-2590743 171.76 |
| 3154455 | | | P-UB-10 | 105 mm | 150 mm | CTC-2502475 186.64 |
| 3154472 | | | P-UB-10 | 110 mm | 160 mm | CTC-2590751 315.76 |
| 3154473 | | | P-UB-10 | 110 mm | 160 mm | CTC-2254625 370.05 |
| 3154474 | | | P-UB-10 | 110 mm | 160 mm | CTC-1948235 324.60 |
| COUPLER | | | | | | |
| DTS1-UP; JBF1-UP; KDJ1-UP; LMG1-UP; M4T1-UP; PPN1-UP; WET1-UP | | | | | | |
| 1690753 | | | P-U-5 | 40 mm | 70 mm | CTC-2191322 47.37 |
| J2F1-UP; W3K1-UP | | | | | | |
| 3270338 | | | I-U-10 | 75 mm | 100 mm | CTC-3265051 91.35 |
| PRF1-UP; W3K1-UP; WRK1-UP | | | | | | |
| 2948011 | | | P-U-10,12 | 2 | 3-1/2 | CTC-3460643 60.25 |
| STICK | | | | | | |
| DTS1-UP; JBF1-UP; JWR1-UP; KDJ1-UP; LMG1-UP; PPN1-UP; PTB1-UP; WET1-UP; WRK1-UP | | | | | | |
| 2898031 | | | P-UB-10 | 115 mm | 170 mm | CTC-3198295 317.36 |
| J2F1-UP; M4T1-UP; MDS1-UP; PRF1-UP; W3K1-UP; ZML1-UP | | | | | | |
| 2898031 | | | P-UB-10 | 115 mm | 170 mm | CTC-2316844 435.81 |
| J2F1-UP; MDS1-UP; W3K1-UP; ZML1-UP | | | | | | |
| 3751722 | | | P-UB-10 | 115 mm | 170 mm | CTC-3751733 345.76 |
| MPL1-UP; PRF1-UP; WRK1-UP | | | | | | |
| 2836188 | | | P-UB-10 | 115 mm | 170 mm | CTC-2316844 435.81 |
| 2836194 | | | P-UB-10 | 115 mm | 170 mm | CTC-2316845 444.94 |
| PRF1-UP; WRK1-UP | | | | | | |
| 2836188 | | | P-UB-10 | 115 mm | 170 mm | CTC-3198295 317.36 |
| 2836194 | | | P-UB-10 | 115 mm | 170 mm | CTC-3764333 317.36 |
| 2836195 | | | P-UB-10 | 115 mm | 170 mm | CTC-2590768 443.37 |
| 2898053 | | | P-UB-10 | 115 mm | 170 mm | CTC-2316845 444.94 |
| MODEL 336D LN | | | | | | |
| BOOM | | | | | | |
| MYG1-UP; MYP1-UP | | | | | | |
| 3119526 | | | P-UB-10 | 105 mm | 150 mm | CTC-2426840 240.72 |
| STICK | | | | | | |
| MYG1-UP | | | | | | |
| 2898031 | | | P-UB-10 | 115 mm | 170 mm | CTC-3198295 317.36 |
| MODEL 336E H | | | | | | |
| BOOM | | | | | | |
| HDW1-UP | | | | | | |
| 3585972 | | | P-UB-10 | 105 mm | 150 mm | CTC-3249485 257.86 |
| BUCKET | | | | | | |
| HDW1-UP | | | | | | |
| 3260415 | | | P-UB-10 | 105 mm | 150 mm | CTC-3249485 257.86 |
| 3579766 | | | P-UB-10 | 105 mm | 150 mm | CTC-3249485 257.86 |
| STICK | | | | | | |
| HDW1-UP | | | | | | |
| 3751722 | | | P-UB-10 | 115 mm | 170 mm | CTC-3751733 345.76 |
| MODEL 336E L | | | | | | |
| BOOM | | | | | | |
| BMH1-UP; BZY1-UP; CMR1-UP; DPX1-UP; FJH1-UP; GTJ1-UP; JRJ1-UP; KED1-UP; TEG1-UP; YCE1-UP; YEP1-UP | | | | | | |
| 3585972 | | | P-UB-10 | 105 mm | 150 mm | CTC-3249485 257.86 |
| BZY1-UP; YEP1-UP | | | | | | |
| 3198275 | | | P-UB-10 | 105 mm | 150 mm | CTC-3249485 257.86 |

REPLACEMENT KITS FOR CATERPILLAR® EQUIPMENT

| Excavators | | | | | | | |
|---|-------|--------------------------------|-----------|--------|--------|-------------|--------|
| APPLICATION | CYL # | Misc-Parts, Instructions, etc. | CODE | ROD | BORE | KIT # | |
| MODEL 336E L | | | | | | | |
| BUCKET | | | | | | | |
| BMH1-UP; BZY1-UP; CMR1-UP; DPX1-UP; FJH1-UP; GTJ1-UP; JRJ1-UP; KED1-UP; TEG1-UP; YCE1-UP; YEP1-UP | | | | | | | |
| 3260415 | | | P-UB-10 | 105 mm | 150 mm | CTC-3249485 | 257.86 |
| BMH1-UP; BZY1-UP; CMR1-UP; DPX1-UP; GTJ1-UP; KED1-UP; TEG1-UP; YEP1-UP | | | | | | | |
| 3579766 | | | P-UB-10 | 105 mm | 150 mm | CTC-3249485 | 257.86 |
| BZY1-UP; CMR1-UP; FJH1-UP; GTJ1-UP; JRJ1-UP; KED1-UP; TEG1-UP; YCE1-UP; YEP1-UP | | | | | | | |
| 3579784 | | | P-UB-10 | 110 mm | 160 mm | CTC-3338750 | 236.68 |
| BZY1-UP; YEP1-UP | | | | | | | |
| 3198277 | | | P-UB-10 | 105 mm | 150 mm | CTC-3249485 | 257.86 |
| 3278185 | | | P-UB-10 | 110 mm | 160 mm | CTC-3338750 | 236.68 |
| FJH1-UP; JRJ1-UP; YCE1-UP | | | | | | | |
| 3579766 | | | P-UB-10 | 105 mm | 150 mm | CTC-3764331 | 215.87 |
| COUPLER | | | | | | | |
| BZY1-UP; CMR1-UP; FJH1-UP; GTJ1-UP; JRJ1-UP; KED1-UP; TEG1-UP; YEP1-UP | | | | | | | |
| 2948011 | | | P-U-10,12 | 2 | 3-1/2 | CTC-3460643 | 60.25 |
| YCE1-UP | | | | | | | |
| 1690753 | | | P-U-5 | 40 mm | 70 mm | CTC-2191322 | 47.37 |
| STICK | | | | | | | |
| BMH1-UP; BZY1-UP; CMR1-UP; DPX1-UP; FJH1-UP; GTJ1-UP; JRJ1-UP; KED1-UP; TEG1-UP; YCE1-UP; YEP1-UP | | | | | | | |
| 3751722 | | | P-UB-10 | 115 mm | 170 mm | CTC-3751733 | 345.76 |
| BZY1-UP; CMR1-UP; GTJ1-UP; KED1-UP; TEG1-UP; YCE1-UP; YEP1-UP | | | | | | | |
| 3574703 | | | P-UB-10 | 115 mm | 170 mm | CTC-3198295 | 317.36 |
| BZY1-UP; YEP1-UP | | | | | | | |
| 3198276 | | | P-UB-10 | 115 mm | 170 mm | CTC-3198295 | 317.36 |
| MODEL 336E LH | | | | | | | |
| BOOM | | | | | | | |
| GNY1-UP; JEA1-UP; RZA1-UP | | | | | | | |
| 3585972 | | | P-UB-10 | 105 mm | 150 mm | CTC-3249485 | 257.86 |
| BUCKET | | | | | | | |
| GNY1-UP; JEA1-UP; RZA1-UP | | | | | | | |
| 3260415 | | | P-UB-10 | 105 mm | 150 mm | CTC-3249485 | 257.86 |
| 3579766 | | | P-UB-10 | 105 mm | 150 mm | CTC-3249485 | 257.86 |
| COUPLER | | | | | | | |
| RZA1-UP | | | | | | | |
| 2948011 | | | P-U-10,12 | 2 | 3-1/2 | CTC-3460643 | 60.25 |
| STICK | | | | | | | |
| GNY1-UP; JEA1-UP; RZA1-UP | | | | | | | |
| 3751722 | | | P-UB-10 | 115 mm | 170 mm | CTC-3751733 | 345.76 |
| RZA1-UP | | | | | | | |
| 3574703 | | | P-UB-10 | 115 mm | 170 mm | CTC-3198295 | 317.36 |
| MODEL 336E LN | | | | | | | |
| BOOM | | | | | | | |
| TMZ1-UP | | | | | | | |
| 3585972 | | | P-UB-10 | 105 mm | 150 mm | CTC-3249485 | 257.86 |
| BUCKET | | | | | | | |
| TMZ1-UP | | | | | | | |
| 3260415 | | | P-UB-10 | 105 mm | 150 mm | CTC-3249485 | 257.86 |
| 3579766 | | | P-UB-10 | 105 mm | 150 mm | CTC-3764331 | 215.87 |
| 3579784 | | | P-UB-10 | 110 mm | 160 mm | CTC-3338750 | 236.68 |
| COUPLER | | | | | | | |
| TMZ1-UP | | | | | | | |
| 1690753 | | | P-U-5 | 40 mm | 70 mm | CTC-2191322 | 47.37 |
| STICK | | | | | | | |
| TMZ1-UP | | | | | | | |
| 3574703 | | | P-UB-10 | 115 mm | 170 mm | CTC-3198295 | 317.36 |
| 3751722 | | | P-UB-10 | 115 mm | 170 mm | CTC-3751733 | 345.76 |

REPLACEMENT KITS FOR CATERPILLAR® EQUIPMENT

| Excavators | | | | | | | |
|---------------------------|---------|--------------------------------|-----------|--------|--------|--------------|--------|
| APPLICATION | CYL # | Misc-Parts, Instructions, etc. | CODE | ROD | BORE | KIT # | |
| MODEL 336E LNH | | | | | | | |
| BOOM | | | | | | | |
| SSL1-UP | | | | | | | |
| | 3585972 | | P-UB-10 | 105 mm | 150 mm | CTC-3249485 | 257.86 |
| BUCKET | | | | | | | |
| SSL1-UP | | | | | | | |
| | 3260415 | | P-UB-10 | 105 mm | 150 mm | CTC-3249485 | 257.86 |
| | 3579766 | | P-UB-10 | 105 mm | 150 mm | CTC-3249485 | 257.86 |
| STICK | | | | | | | |
| SSL1-UP | | | | | | | |
| | 3751722 | | P-UB-10 | 115 mm | 170 mm | CTC-3751733 | 345.76 |
| MODEL 336F L | | | | | | | |
| BOOM | | | | | | | |
| RKB1-UP; SSN1-UP; TZA1-UP | | | | | | | |
| | 3585972 | | P-UB-10 | 105 mm | 150 mm | CTC-3249485 | 257.86 |
| | 3585972 | | Bushing | 105 mm | | CTC-1140760 | 72.04 |
| BUCKET | | | | | | | |
| RKB1-UP; SSN1-UP | | | | | | | |
| | 3260415 | | P-UB-10 | 105 mm | 150 mm | CTC-3249485 | 257.86 |
| | 3260415 | | Bushing | 105 mm | | CTC-1140760 | 72.04 |
| RKB1-UP; SSN1-UP; TZA1-UP | | | | | | | |
| | 3579766 | | P-UB-10 | 105 mm | 150 mm | CTC-3764331 | 215.87 |
| | 3579766 | | Bushing | 105 mm | | CTC-1140760 | 72.04 |
| | 3579784 | | P-UB-10 | 110 mm | 160 mm | CTC-3338750 | 236.68 |
| | 3579784 | | Bushing | 110 mm | | CTC-1140762 | 107.24 |
| COUPLER | | | | | | | |
| RKB1-UP; TZA1-UP | | | | | | | |
| | 2948011 | | P-U-10,12 | 2 | 3-1/2 | CTC-3460643 | 60.25 |
| STICK | | | | | | | |
| RKB1-UP; SSN1-UP; TZA1-UP | | | | | | | |
| | 3751722 | | P-UB-10 | 115 mm | 170 mm | CTC-3751733 | 345.76 |
| | 3751722 | | Bushing | 115 mm | | CTC-1915644 | 102.23 |
| TRACK ADJUSTER | | | | | | | |
| RKB1-UP; SSN1-UP; TZA1-UP | | | | | | | |
| | 2979151 | | TRK ADJ | | | CTC-SK100116 | 186.38 |
| MODEL 345B, 345BL | | | | | | | |
| BOOM | | | | | | | |
| | 1297829 | | P-UB-10 | 110 mm | 160 mm | CTC-1680760 | 460.57 |
| | 1553737 | | P-UB-10 | 110 mm | 160 mm | CTC-1680760 | 460.57 |
| BUCKET | | | | | | | |
| | 1183935 | | P-UB-10 | 110 mm | 160 mm | CTC-1680760 | 460.57 |
| | 1184134 | | P-UB-10 | 85 mm | 120 mm | CTC-1184131 | 342.72 |
| | 1232044 | | P-UB-10 | 90 mm | 130 mm | CTC-1184175 | 404.99 |
| | 1297835 | | P-UB-10 | 110 mm | 170 mm | CTC-1680759 | 549.61 |
| COUNTERWEIGHT | | | | | | | |
| | 1231078 | | P-UB-10 | 3 | 4-3/4 | CTC-1570288 | 223.98 |
| MATERIAL HANDLER | | | | | | | |
| | 1504125 | | P-UB-10 | 110 mm | 170 mm | CTC-1680759 | 549.61 |
| STEERING | | | | | | | |
| | 1151371 | | P-UB-10 | 2-1/4 | 4 | CTC-1546526 | 196.04 |
| STICK | | | | | | | |
| | 1163638 | | P-UB-10 | 110 mm | 170 mm | CTC-1680759 | 549.61 |
| | 1297832 | | P-UB-10 | 130 mm | 190 mm | CTC-1261979 | 403.68 |

REPLACEMENT KITS FOR CATERPILLAR® EQUIPMENT

| Excavators | | | | | | | |
|---|-------|--------------------------------|---------|--------|--------|--------------|--------|
| APPLICATION | CYL # | Misc-Parts, Instructions, etc. | CODE | ROD | BORE | KIT # | |
| MODEL 345C | | | | | | | |
| BOOM | | | | | | | |
| BWY1-UP; ELS1-UP; GCL1-UP; TAJ1-UP; TBA1-UP; WDE1-UP | | | | | | | |
| 2254523 | | | P-UB-10 | 110 mm | 160 mm | CTC-2254625 | 370.05 |
| 2254523 | | | Bushing | 110 mm | | CTC-1140762 | 107.24 |
| BWY1-UP; TBA1-UP; WDE1-UP | | | | | | | |
| 2668087 | | | P-UB-10 | 110 mm | 160 mm | CTC-2742460 | 362.78 |
| 2668087 | | | Bushing | 110 mm | | CTC-1140762 | 107.24 |
| BUCKET | | | | | | | |
| BWY1-UP; ELS1-UP; GCL1-UP; TAJ1-UP; TBA1-UP; WDE1-UP | | | | | | | |
| 2254529 | | | P-UB-10 | 110 mm | 160 mm | CTC-2254625 | 370.05 |
| 2254529 | | | Bushing | 110 mm | | CTC-1140762 | 107.24 |
| 2254532 | | | P-UB-10 | 110 mm | 170 mm | CTC-2344442 | 327.60 |
| 2254532 | | | Bushing | 110 mm | | CTC-1140761 | 114.55 |
| BWY1-UP; TBA1-UP; WDE1-UP | | | | | | | |
| 2742456 | | | P-UB-10 | 110 mm | 160 mm | CTC-2742460 | 362.78 |
| 2742456 | | | Bushing | 110 mm | | CTC-1140762 | 107.24 |
| 2742459 | | | P-UB-10 | 110 mm | 170 mm | CTC-2742462 | 369.37 |
| 2742459 | | | Bushing | 110 mm | | CTC-1140761 | 114.55 |
| COUNTERWEIGHT | | | | | | | |
| BWY1-UP; TAJ1-UP; TBA1-UP; WDE1-UP | | | | | | | |
| 2369769 | | | P-UB-10 | 3 | 4-3/4 | CTC-2369769K | 137.69 |
| STICK | | | | | | | |
| BWY1-UP; ELS1-UP; GCL1-UP; TAJ1-UP; TBA1-UP; WDE1-UP | | | | | | | |
| 2254526 | | | P-UB-10 | 130 mm | 190 mm | CTC-2254646 | 441.14 |
| 2254526 | | | Bushing | 130 mm | | CTC-1140763 | 109.42 |
| BWY1-UP; TAJ1-UP; TBA1-UP; WDE1-UP | | | | | | | |
| 2426839 | | | P-UB-10 | 130 mm | 190 mm | CTC-2254646 | 441.14 |
| 2426839 | | | Bushing | 130 mm | | CTC-1140763 | 109.42 |
| BWY1-UP; TBA1-UP; WDE1-UP | | | | | | | |
| 2742453 | | | P-UB-10 | 130 mm | 190 mm | CTC-2742461 | 597.68 |
| 2742453 | | | Bushing | 130 mm | | CTC-1140763 | 109.42 |
| MODEL 345C L | | | | | | | |
| BOOM | | | | | | | |
| BWY1-UP; DHP1-UP; ELS1-UP; ESD1-UP; FPC1-UP; GCL1-UP; GJR1-UP; GPH1-UP; LYS1-UP; PJW1-UP; S5M1-UP; TBA1-UP; TDG1-UP; WDE1-UP | | | | | | | |
| 2254523 | | | P-UB-10 | 110 mm | 160 mm | CTC-2254625 | 370.05 |
| 2254523 | | | Bushing | 110 mm | | CTC-1140762 | 107.24 |
| BWY1-UP; DHP1-UP; GJR1-UP; TBA1-UP; WDE1-UP | | | | | | | |
| 2668087 | | | P-UB-10 | 110 mm | 160 mm | CTC-2742460 | 362.78 |
| 2668087 | | | Bushing | 110 mm | | CTC-1140762 | 107.24 |
| BUCKET | | | | | | | |
| BWY1-UP; DHP1-UP; ELS1-UP; ESD1-UP; ESD1-UP; FPC1-UP; GCL1-UP; GJR1-UP; GPH1-UP; LYS1-UP; PJW1-UP; PJW1-UP; S5M1-UP; TBA1-UP; TDG1-UP; TDG1-UP; WDE1-UP | | | | | | | |
| 2254529 | | | P-UB-10 | 110 mm | 160 mm | CTC-2254625 | 370.05 |
| 2254529 | | | Bushing | 110 mm | | CTC-1140762 | 107.24 |
| BWY1-UP; DHP1-UP; ELS1-UP; ESD1-UP; GCL1-UP; GJR1-UP; GPH1-UP; LYS1-UP; PJW1-UP; S5M1-UP; TBA1-UP; TDG1-UP; WDE1-UP | | | | | | | |
| 2254532 | | | P-UB-10 | 110 mm | 170 mm | CTC-2344442 | 327.60 |
| 2254532 | | | Bushing | 110 mm | | CTC-1140761 | 114.55 |
| BWY1-UP; DHP1-UP; GJR1-UP; TBA1-UP; WDE1-UP | | | | | | | |
| 2742456 | | | P-UB-10 | 110 mm | 160 mm | CTC-2742460 | 362.78 |
| 2742456 | | | Bushing | 110 mm | | CTC-1140762 | 107.24 |
| 2742459 | | | P-UB-10 | 110 mm | 170 mm | CTC-2742462 | 369.37 |
| 2742459 | | | Bushing | 110 mm | | CTC-1140761 | 114.55 |
| COUNTERWEIGHT | | | | | | | |
| BWY1-UP; DHP1-UP; ESD1-UP; FPC1-UP; GJR1-UP; PJW1-UP; TBA1-UP; TDG1-UP; WDE1-UP | | | | | | | |
| 2369769 | | | P-UB-10 | 3 | 4-3/4 | CTC-2369769K | 137.69 |

CATERPILLAR®

REPLACEMENT KITS FOR CATERPILLAR® EQUIPMENT

| Excavators | | | | | | | |
|--|---------------|--------------------------------|-----------|--------|--------|--------------|--------|
| APPLICATION | CYL # | Misc-Parts, Instructions, etc. | CODE | ROD | BORE | KIT # | |
| MODEL 345C L | | | | | | | |
| STICK | | | | | | | |
| BWY1-UP; DHP1-UP; ELS1-UP; ESD1-UP; FPC1-UP; GCL1-UP; GJR1-UP; GPH1-UP; LYS1-UP; PJW1-UP; S5M1-UP; TBA1-UP; TDG1-UP; WDE1-UP | | | | | | | |
| 2254526 | | | P-UB-10 | 130 mm | 190 mm | CTC-2254646 | 441.14 |
| 2254526 | | | Bushing | 130 mm | | CTC-1140763 | 109.42 |
| BWY1-UP; DHP1-UP; ESD1-UP; GJR1-UP; PJW1-UP; S5M1-UP; TBA1-UP; TDG1-UP; WDE1-UP | | | | | | | |
| 2426839 | | | P-UB-10 | 130 mm | 190 mm | CTC-2254646 | 441.14 |
| 2426839 | | | Bushing | 130 mm | | CTC-1140763 | 109.42 |
| BWY1-UP; DHP1-UP; GJR1-UP; TBA1-UP; WDE1-UP | | | | | | | |
| 2742453 | | | P-UB-10 | 130 mm | 190 mm | CTC-2742461 | 597.68 |
| 2742453 | | | Bushing | 130 mm | | CTC-1140763 | 109.42 |
| MODEL 345D L | | | | | | | |
| BOOM | | | | | | | |
| BYC1-UP; EEH1-UP; GYR1-UP; JKN1-UP; KFH1-UP; LKY1-UP; MLK1-UP; NLM1-UP; PBT1-UP; RAE1-UP; RAJ1-UP; RGD1-UP; RGG1-UP; YEE1-UP | | | | | | | |
| 2254523 | | | P-UB-10 | 110 mm | 160 mm | CTC-3764336 | 247.39 |
| BYC1-UP; JKN1-UP; PBT1-UP; RAE1-UP | | | | | | | |
| 2668087 | | | P-UB-10 | 110 mm | 160 mm | CTC-2742460 | 362.78 |
| BUCKET | | | | | | | |
| BYC1-UP; EEH1-UP; GYR1-UP; JKN1-UP; KFH1-UP; LKY1-UP; MLK1-UP; NLM1-UP; RAE1-UP; PBT1-UP; RAJ1-UP; RGD1-UP; RGG1-UP; YEE1-UP | | | | | | | |
| 2254532 | | | P-UB-10 | 110 mm | 170 mm | CTC-3338675 | 305.37 |
| BYC1-UP; EEH1-UP; GYR1-UP; JKN1-UP; KFH1-UP; LKY1-UP; NLM1-UP; MLK1-UP; PBT1-UP; RAE1-UP; RAJ1-UP; RGG1-UP; YEE1-UP | | | | | | | |
| 2937678 | | | P-UB-10 | 110 mm | 160 mm | CTC-2254625 | 370.05 |
| BYC1-UP; GYR1-UP; KFH1-UP; LKY1-UP; NLM1-UP; RGD1-UP; RGG1-UP | | | | | | | |
| 2254529 | | | P-UB-10 | 110 mm | 160 mm | CTC-3338750 | 236.68 |
| BYC1-UP; JKN1-UP; PBT1-UP; RAE1-UP | | | | | | | |
| 2742456 | | | P-UB-10 | 110 mm | 160 mm | CTC-2742460 | 362.78 |
| 2742459 | | | P-UB-10 | 110 mm | 170 mm | CTC-2742462 | 369.37 |
| EEH1-UP; JKN1-UP; MLK1-UP; PBT1-UP; RAE1-UP; RAJ1-UP; YEE1-UP | | | | | | | |
| 2254529 | | | P-UB-10 | 110 mm | 160 mm | CTC-2254625 | 370.05 |
| EEH1-UP; RAJ1-UP; YEE1-UP | | | | | | | |
| 3675217 | | | P-UB-10 | 110 mm | 160 mm | CTC-3338750 | 236.68 |
| COUNTERWEIGHT | | | | | | | |
| BYC1-UP; EEH1-UP; JKN1-UP; PBT1-UP; RAE1-UP; RAJ1-UP; YEE1-UP | | | | | | | |
| 2369769 | | | P-UB-10 | 3 | 4-3/4 | CTC-2369769K | 137.69 |
| COUPLER | | | | | | | |
| EEH1-UP; JKN1-UP; RAJ1-UP; YEE1-UP | | | | | | | |
| 3030703 | Quick Coupler | | P-U-10,12 | 3-1/4 | 5-1/2 | CTC-3460644 | 134.24 |
| EEH1-UP; MLK1-UP; RAJ1-UP; YEE1-UP | | | | | | | |
| 1690753 | Lock | | P-U-5 | 40 mm | 70 mm | CTC-2191322 | 47.37 |
| EEH1-UP; RAJ1-UP; YEE1-UP | | | | | | | |
| 2692106 | | | I-U-14 | 50 mm | 100 mm | CTC-2525507 | 218.41 |
| 3242645 | | | I-U-10 | 50 mm | 100 mm | CTC-3265946 | 95.52 |
| STICK | | | | | | | |
| BYC1-UP; GYR1-UP; JKN1-UP; KFH1-UP; LKY1-UP; MLK1-UP; NLM1-UP; PBT1-UP; RAE1-UP; RGD1-UP; RGG1-UP; YEE1-UP | | | | | | | |
| 2254526 | | | P-UB-10 | 130 mm | 190 mm | CTC-3319328 | 453.04 |
| BYC1-UP; JKN1-UP; PBT1-UP; RAE1-UP | | | | | | | |
| 2742453 | | | P-UB-10 | 130 mm | 190 mm | CTC-2742461 | 597.68 |
| EEH1-UP; RAJ1-UP | | | | | | | |
| 2254526 | | | P-UB-10 | 130 mm | 190 mm | CTC-2254646 | 441.14 |
| MODEL 349E | | | | | | | |
| BOOM | | | | | | | |
| FJB1-UP; RGH1-UP | | | | | | | |
| 3588439 | | | P-UB-10 | 115 mm | 170 mm | CTC-3198295 | 317.36 |
| 3588439 | | | Bushing | 115 mm | | CTC-1915644 | 102.23 |

REPLACEMENT KITS FOR CATERPILLAR® EQUIPMENT

| Excavators | | | | | | | |
|--|-------|--------------------------------|---------|--------|--------|--------------|--------|
| APPLICATION | CYL # | Misc-Parts, Instructions, etc. | CODE | ROD | BORE | KIT # | |
| MODEL 349E | | | | | | | |
| BUCKET | | | | | | | |
| FJB1-UP; RGH1-UP | | | | | | | |
| 3579784 | | | P-UB-10 | 110 mm | 160 mm | CTC-3338750 | 236.68 |
| 3579784 | | | Bushing | 110 mm | | CTC-1140762 | 107.24 |
| 3588482 | | | P-UB-10 | 110 mm | 160 mm | CTC-3338750 | 236.68 |
| 3588482 | | | Bushing | 110 mm | | CTC-1140762 | 107.24 |
| 3588503 | | | P-UB-10 | 110 mm | 170 mm | CTC-3338675 | 305.37 |
| 3588503 | | | Bushing | 110 mm | | CTC-1140761 | 114.55 |
| STICK | | | | | | | |
| FJB1-UP; RGH1-UP | | | | | | | |
| 3588461 | | | P-UB-10 | 130 mm | 190 mm | CTC-3319328 | 453.04 |
| 3588461 | | | Bushing | 130 mm | | CTC-1140763 | 109.42 |
| 3706692 | | | P-UB-10 | 130 mm | 190 mm | CTC-3799497 | 342.94 |
| 3706692 | | | Bushing | 130 mm | | CTC-1140763 | 109.42 |
| TRACK ADJUSTER | | | | | | | |
| FJB1-UP; RGH1-UP | | | | | | | |
| 2979250 | | | TRK ADJ | | | CTC-SK100117 | 118.97 |
| MODEL 349E L | | | | | | | |
| BOOM | | | | | | | |
| ETC1-UP; MPZ1-UP; MZW1-UP; SPG1-UP; TFG1-UP; WHZ1-UP | | | | | | | |
| 3588439 | | | P-UB-10 | 115 mm | 170 mm | CTC-3198295 | 317.36 |
| 3588439 | | | Bushing | 115 mm | | CTC-1915644 | 102.23 |
| MPZ1-UP; MZW1-UP; TFG1-UP | | | | | | | |
| 4195749 | | | P-UB-10 | 115 mm | 170 mm | CTC-3751733 | 345.76 |
| 4195749 | | | Bushing | 115 mm | | CTC-1915644 | 102.23 |
| BUCKET | | | | | | | |
| ETC1-UP; MPZ1-UP; MZW1-UP; SPG1-UP; TFG1-UP; WHZ1-UP | | | | | | | |
| 3588482 | | | P-UB-10 | 110 mm | 160 mm | CTC-3338750 | 236.68 |
| 3588482 | | | Bushing | 110 mm | | CTC-1140762 | 107.24 |
| 3588503 | | | P-UB-10 | 110 mm | 170 mm | CTC-3338675 | 305.37 |
| 3588503 | | | Bushing | 110 mm | | CTC-1140761 | 114.55 |
| ETC1-UP; MPZ1-UP; MZW1-UP; TFG1-UP | | | | | | | |
| 3675217 | | | P-UB-10 | 110 mm | 160 mm | CTC-3338750 | 236.68 |
| 3675217 | | | Bushing | 110 mm | | CTC-1140762 | 107.24 |
| ETC1-UP; MPZ1-UP; SPG1-UP; TFG1-UP; WHZ1-UP | | | | | | | |
| 3579784 | | | P-UB-10 | 110 mm | 160 mm | CTC-3338750 | 236.68 |
| 3579784 | | | Bushing | 110 mm | | CTC-1140762 | 107.24 |
| MPZ1-UP; MZW1-UP; TFG1-UP | | | | | | | |
| 2937678 | | | P-UB-10 | 110 mm | 160 mm | CTC-2254625 | 370.05 |
| 2937678 | | | Bushing | 110 mm | | CTC-1140762 | 107.24 |
| COUNTERWEIGHT | | | | | | | |
| MPZ1-UP | | | | | | | |
| 2369769 | | | P-UB-10 | 3 | 4-3/4 | CTC-3193565 | 136.11 |
| COUPLER | | | | | | | |
| MPZ1-UP; TFG1-UP | | | | | | | |
| 1690753 | | | P-U-5 | 40 mm | 70 mm | CTC-2191322 | 47.37 |
| STICK | | | | | | | |
| ETC1-UP; MPZ1-UP; MZW1-UP; SPG1-UP; TFG1-UP; WHZ1-UP | | | | | | | |
| 3706692 | | | P-UB-10 | 130 mm | 190 mm | CTC-3799497 | 342.94 |
| 3706692 | | | Bushing | 130 mm | | CTC-1140763 | 109.42 |
| MPZ1-UP; SPG1-UP; TFG1-UP; WHZ1-UP | | | | | | | |
| 3588461 | | | P-UB-10 | 130 mm | 190 mm | CTC-3319328 | 453.04 |
| 3588461 | | | Bushing | 130 mm | | CTC-1140763 | 109.42 |
| TRACK ADJUSTER | | | | | | | |
| ETC1-UP; MPZ1-UP; MZW1-UP; SPG1-UP; TFG1-UP; WHZ1-UP | | | | | | | |
| 2979250 | | | TRK ADJ | | | CTC-SK100117 | 118.97 |

CATERPILLAR®

REPLACEMENT KITS FOR CATERPILLAR® EQUIPMENT

| Excavators | | | | | | | |
|------------------------------------|-------|--------------------------------|---------|--------|--------|--------------|--------|
| APPLICATION | CYL # | Misc-Parts, Instructions, etc. | CODE | ROD | BORE | KIT # | |
| MODEL 349E L VG | | | | | | | |
| BOOM | | | | | | | |
| DGE1-UP; FEJ1-UP; KCN1-UP; KFX1-UP | | | | | | | |
| 3588439 | | | P-UB-10 | 115 mm | 170 mm | CTC-3198295 | 317.36 |
| 3588439 | | | Bushing | 115 mm | | CTC-1915644 | 102.23 |
| DGE1-UP; KCN1-UP; KFX1-UP | | | | | | | |
| 4195749 | | | P-UB-10 | 115 mm | 170 mm | CTC-3751733 | 345.76 |
| 4195749 | | | Bushing | 115 mm | | CTC-1915644 | 102.23 |
| BUCKET | | | | | | | |
| DGE1-UP; FEJ1-UP; KCN1-UP | | | | | | | |
| 3579784 | | | P-UB-10 | 110 mm | 160 mm | CTC-3338750 | 236.68 |
| 3579784 | | | Bushing | 110 mm | | CTC-1140762 | 107.24 |
| DGE1-UP; FEJ1-UP; KCN1-UP; KFX1-UP | | | | | | | |
| 3588482 | | | P-UB-10 | 110 mm | 160 mm | CTC-3338750 | 236.68 |
| 3588482 | | | Bushing | 110 mm | | CTC-1140762 | 107.24 |
| 3588503 | | | P-UB-10 | 110 mm | 170 mm | CTC-3338675 | 305.37 |
| 3588503 | | | Bushing | 110 mm | | CTC-1140761 | 114.55 |
| 3675217 | | | P-UB-10 | 110 mm | 160 mm | CTC-3338750 | 236.68 |
| 3675217 | | | Bushing | 110 mm | | CTC-1140762 | 107.24 |
| DGE1-UP; KCN1-UP; KFX1-UP | | | | | | | |
| 2937678 | | | P-UB-10 | 110 mm | 160 mm | CTC-2254625 | 370.05 |
| 2937678 | | | Bushing | 110 mm | | CTC-1140762 | 107.24 |
| COUNTERWEIGHT | | | | | | | |
| DGE1-UP | | | | | | | |
| 2369769 | | | P-UB-10 | 3 | 4-3/4 | CTC-3193565 | 136.11 |
| COUPLER | | | | | | | |
| DGE1-UP; KCN1-UP | | | | | | | |
| 1690753 | | | P-U-5 | 40 mm | 70 mm | CTC-2191322 | 47.37 |
| STICK | | | | | | | |
| DGE1-UP; FEJ1-UP; KCN1-UP; KFX1-UP | | | | | | | |
| 3706692 | | | P-UB-10 | 130 mm | 190 mm | CTC-3799497 | 342.94 |
| 3706692 | | | Bushing | 130 mm | | CTC-1140763 | 109.42 |
| DGE1-UP; KCN1-UP; KFX1-UP | | | | | | | |
| 3588461 | | | P-UB-10 | 130 mm | 190 mm | CTC-3319328 | 453.04 |
| 3588461 | | | Bushing | 130 mm | | CTC-1140763 | 109.42 |
| TRACK ADJUSTER | | | | | | | |
| DGE1-UP; FEJ1-UP; KCN1-UP; KFX1-UP | | | | | | | |
| 2979250 | | | TRK ADJ | | | CTC-SK100117 | 118.97 |
| MODEL 349F L | | | | | | | |
| BOOM | | | | | | | |
| BZ21-UP; HPD1-UP | | | | | | | |
| 4195749 | | | P-UB-10 | 115 mm | 170 mm | CTC-3751733 | 345.76 |
| 4195749 | | | Bushing | 115 mm | | CTC-1915644 | 102.23 |
| KEA1-UP | | | | | | | |
| 3588439 | | | P-UB-10 | 115 mm | 170 mm | CTC-3198295 | 317.36 |
| 3588439 | | | Bushing | 115 mm | | CTC-1915644 | 102.23 |
| BUCKET | | | | | | | |
| BZ21-UP; HPD1-UP; KEA1-UP | | | | | | | |
| 3579784 | | | P-UB-10 | 110 mm | 160 mm | CTC-3338750 | 236.68 |
| 3579784 | | | Bushing | 110 mm | | CTC-1140762 | 107.24 |
| 3588503 | | | P-UB-10 | 110 mm | 170 mm | CTC-3338675 | 305.37 |
| 3588503 | | | Bushing | 110 mm | | CTC-1140761 | 114.55 |
| 3675217 | | | P-UB-10 | 110 mm | 160 mm | CTC-3338750 | 236.68 |
| 3675217 | | | Bushing | 110 mm | | CTC-1140762 | 107.24 |
| COUNTERWEIGHT | | | | | | | |
| BZ21-UP; HPD1-UP; KEA1-UP | | | | | | | |
| 2369769 | | | P-UB-10 | 3 | 4-3/4 | CTC-3193565 | 136.11 |

REPLACEMENT KITS FOR CATERPILLAR® EQUIPMENT

| Excavators | | | | | | | |
|---------------------------|---------|--------------------------------|---------|--------|--------|--------------|--------|
| APPLICATION | CYL # | Misc-Parts, Instructions, etc. | CODE | ROD | BORE | KIT # | |
| MODEL 349F L | | | | | | | |
| STICK | | | | | | | |
| BZ21-UP; HPD1-UP; KEA1-UP | | | | | | | |
| | 3706692 | | P-UB-10 | 130 mm | 190 mm | CTC-3799497 | 342.94 |
| | 3706692 | | Bushing | 130 mm | | CTC-1140763 | 109.42 |
| TRACK ADJUSTER | | | | | | | |
| BZ21-UP; HPD1-UP; KEA1-UP | | | | | | | |
| | 2979250 | | TRK ADJ | | | CTC-SK100117 | 118.97 |
| MODEL 350 | | | | | | | |
| BUCKET | | | | | | | |
| | 1578989 | | P-UB-10 | 110 mm | 160 mm | CTC-1560656 | 364.93 |
| | 411726 | | P-UB-10 | 110 mm | 160 mm | CTC-1560656 | 364.93 |
| | 413792 | | P-UB-10 | 130 mm | 180 mm | CTC-1560625 | 577.72 |
| STICK | | | | | | | |
| | 0875375 | | P-UB-10 | 130 mm | 180 mm | CTC-1560625 | 577.72 |
| | 1560674 | | P-UB-10 | 130 mm | 180 mm | CTC-1560625 | 577.72 |
| MODEL 350, 350L | | | | | | | |
| BOOM | | | | | | | |
| | 411515 | | P-UB-10 | 110 mm | 170 mm | CTC-1163649 | 390.69 |
| | 411515 | | P-UB-10 | 110 mm | 170 mm | CTC-1680759 | 549.61 |
| BUCKET | | | | | | | |
| | 411726 | | P-UB-10 | 110 mm | 160 mm | CTC-0876654 | 437.78 |
| | 413792 | | P-UB-10 | 130 mm | 180 mm | CTC-0875407 | 546.07 |
| | 7Y5100 | | P-UB-10 | 85 mm | 130 mm | CTC-7Y5145 | 366.57 |
| LIFT | | | | | | | |
| | 6E3529 | | P-UB-10 | 2-1/2 | 4 | CTC-7I0968 | 198.33 |
| STICK | | | | | | | |
| | 0875375 | | P-UB-10 | 130 mm | 180 mm | CTC-0875407 | 546.07 |
| MODEL 365, 365B | | | | | | | |
| BUCKET | | | | | | | |
| | 1438004 | | P-UB-10 | 130 mm | 180 mm | CTC-1709830 | 537.39 |
| | 1438007 | | P-UB-10 | 140 mm | 200 mm | CTC-1709829 | 434.91 |
| COUNTERWEIGHT | | | | | | | |
| | 1505913 | | P-UB-10 | 90 mm | 130 mm | CTC-1184175 | 404.99 |
| STICK | | | | | | | |
| | 1438001 | | P-UB-10 | 140 mm | 200 mm | CTC-1709829 | 434.91 |
| | 1589114 | | P-UB-10 | 140 mm | 200 mm | CTC-1709829 | 434.91 |
| MODEL 365C L | | | | | | | |
| BOOM | | | | | | | |
| MCY1-UP | | | | | | | |
| | 2042823 | | P-UB-10 | 130 mm | 190 mm | CTC-2254646 | 441.14 |
| | 2332975 | | P-UB-10 | 140 mm | 200 mm | CTC-2159995 | 520.20 |
| BUCKET | | | | | | | |
| MCY1-UP | | | | | | | |
| | 1438004 | | P-UB-10 | 130 mm | 180 mm | CTC-4195876 | 252.90 |
| | 1438007 | | P-UB-10 | 140 mm | 200 mm | CTC-3701940 | 527.33 |
| | 2201532 | | P-UB-10 | 100 mm | 140 mm | CTC-2159985 | 168.04 |
| COUNTERWEIGHT | | | | | | | |
| MCY1-UP | | | | | | | |
| | 1505913 | | P-UB-10 | 90 mm | 130 mm | CTC-2159986 | 171.53 |

CATERPILLAR®

REPLACEMENT KITS FOR CATERPILLAR® EQUIPMENT

| Excavators | | | | | | | |
|---|--------------------------------------|--------------------------------|---------|--------|--------|--------------|--------|
| APPLICATION | CYL # | Misc-Parts, Instructions, etc. | CODE | ROD | BORE | KIT # | |
| MODEL 365C L | | | | | | | |
| STICK | | | | | | | |
| MCY1-UP | | | | | | | |
| 1799794 | | | P-UB-10 | 140 mm | 200 mm | CTC-2159995 | 520.20 |
| 2590871 | | | P-UB-10 | 150 mm | 220 mm | CTC-2160000 | 921.36 |
| 3153375 | Type 1, Piston 2159972, Head 1733366 | | P-UB-10 | 150 mm | 220 mm | CTC-2160000 | 921.36 |
| 3153375 | Type 2, Piston 4335664, Head 3653598 | | P-UB-10 | 150 mm | 220 mm | CTC-3701866 | 592.41 |
| 3178432 | | | P-UB-10 | 140 mm | 200 mm | CTC-3701940 | 527.33 |
| 3264403 | | | P-UB-10 | 140 mm | 200 mm | CTC-2159995 | 520.20 |
| TRACK ADJUSTER | | | | | | | |
| MCY1-439 | | | | | | | |
| 1686743 | | | TRK ADJ | | | CTC-SK100109 | 130.02 |
| MCY1-462 | | | | | | | |
| 1362430 | | | TRK ADJ | | | CTC-SK100109 | 130.02 |
| MCY1-UP | | | | | | | |
| 2979153 | | | TRK ADJ | | | CTC-SK100109 | 130.02 |
| 2979154 | | | TRK ADJ | | | CTC-SK100109 | 130.02 |
| UNDERCARRIAGE | | | | | | | |
| MCY1-UP | | | | | | | |
| 1234121 | | | P-UB-10 | 2 | 4 | CTC-2409538 | 94.69 |
| MODEL 365C L MH | | | | | | | |
| BOOM | | | | | | | |
| GWC1-UP | | | | | | | |
| 2042823 | | | P-UB-10 | 130 mm | 190 mm | CTC-2254646 | 441.14 |
| 2042823 | | | Bushing | 130 mm | | CTC-1140763 | 109.42 |
| 2332975 | | | P-UB-10 | 140 mm | 200 mm | CTC-2159995 | 520.20 |
| 2332975 | | | Bushing | 140 mm | | CTC-1289261 | 137.28 |
| STICK | | | | | | | |
| GWC1-UP | | | | | | | |
| 2632504 | | | P-UB-10 | 130 mm | 190 mm | CTC-3319328 | 453.04 |
| 2632504 | | | Bushing | 130 mm | | CTC-1140763 | 109.42 |
| TRACK ADJUSTER | | | | | | | |
| GWC1-UP | | | | | | | |
| 1362430 | | | TRK ADJ | | | CTC-SK100109 | 130.02 |
| 2979153 | | | TRK ADJ | | | CTC-SK100109 | 130.02 |
| MODEL 374F L | | | | | | | |
| BOOM | | | | | | | |
| AP41-UP; AT21-UP; DNM1-UP; EBF1-UP; MFL1-UP; NFJ1-UP | | | | | | | |
| 3807401 | | | P-UB-10 | 130 mm | 190 mm | CTC-5185140 | 552.18 |
| 3807401 | | | Bushing | 130 mm | | CTC-1140763 | 109.42 |
| EBF1-UP; MFL1-UP; NFJ1-UP; XWL1-UP | | | | | | | |
| 5701992 | | | P-UB-10 | 130 mm | 190 mm | CTC-5185140 | 552.18 |
| 5701992 | | | Bushing | 130 mm | | CTC-1140763 | 109.42 |
| BUCKET | | | | | | | |
| AP41-UP; AT21-UP; DNM1-UP; EBF1-20160; MFL1-20073; NFJ1-20091 | | | | | | | |
| 4176665 | | | P-UB-10 | 140 mm | 200 mm | CTC-3701940 | 527.33 |
| 4176665 | | | Bushing | 140 mm | | CTC-1289261 | 137.28 |
| AP41-UP; AT21-UP; DNM1-UP; EBF1-UP; MFL10001-UP; NFJ1-UP; XWL1-UP | | | | | | | |
| 3636260 | | | P-UB-10 | 130 mm | 190 mm | CTC-5185134 | 404.94 |
| 3636260 | | | Bushing | 130 mm | | CTC-1140763 | 109.42 |
| AP41-UP; AT21-UP; DNM1-UP; EBF1-UP; MFL1-UP; NFJ1-UP; XWL1-UP | | | | | | | |
| 3622784 | | | P-UB-10 | 130 mm | 190 mm | CTC-5185134 | 404.94 |
| 3622784 | | | Bushing | 130 mm | | CTC-1140763 | 109.42 |
| AP41-UP; AT21-UP; DNM1-UP; EBF20161-UP; MFL20074-UP; NFJ20092-UP; XWL1-UP | | | | | | | |
| 5701986 | | | P-UB-10 | 140 mm | 200 mm | CTC-3701940 | 527.33 |
| 5701986 | | | Bushing | 140 mm | | CTC-1289261 | 137.28 |

REPLACEMENT KITS FOR CATERPILLAR® EQUIPMENT

| Excavators | | | | | | | |
|---|--------|--------------------------------|---------|--------|--------|--------------|--------|
| APPLICATION | CYL # | Misc-Parts, Instructions, etc. | CODE | ROD | BORE | KIT # | |
| MODEL 374F L | | | | | | | |
| BUCKET | | | | | | | |
| DNM10001-UP; EBF1-UP; MFL10001-UP; NfJ10001-UP; XWL1-UP | | | | | | | |
| 4933132 | | | P-UB-10 | 140 mm | 200 mm | CTC-3701940 | 527.33 |
| 4933132 | | | Bushing | 140 mm | | CTC-1289261 | 137.28 |
| COUNTERWEIGHT | | | | | | | |
| AP41-UP; AT21-UP; DNM1-UP; EBF1-UP; MFL1-UP; NfJ1-UP; XWL1-UP | | | | | | | |
| 1505913 | | | P-UB-10 | 90 mm | 130 mm | CTC-2159986 | 171.53 |
| 1505913 | | | Bushing | 90 mm | | CTC-1140758 | 54.25 |
| STICK | | | | | | | |
| AP41-UP; AT21-UP; DNM1-UP; EBF1-UP; MFL1-UP; NfJ1-UP; XWL1-UP | | | | | | | |
| 3628488 | | | P-UB-10 | 145 mm | 210 mm | CTC-3701871 | 862.40 |
| 3628488 | | | Bushing | 140 mm | | CTC-1559100 | 144.10 |
| TRACK ADJUSTER | | | | | | | |
| AP41-UP; AT21-UP; DNM1-UP; EBF1-UP; MFL1-UP; NfJ1-UP; XWL1-UP | | | | | | | |
| 2979153 | | | TRK ADJ | | | CTC-SK100109 | 130.02 |
| MODEL 375 | | | | | | | |
| BOOM | | | | | | | |
| 6E0018 | | | | | | | |
| | | | P-UB-10 | 140 mm | 200 mm | CTC-1560626 | 683.30 |
| 1JM1-172; 6NK1-; 6RL1-00048; 8WJ1-90; 8XG1-00216; 9WL1- | | | | | | | |
| 6E0018 | | | P-UB-10 | 140 mm | 200 mm | CTC-2344666 | 476.32 |
| 1JM173-; 6RL00081-; 8WJ91-; 8XG00313- | | | | | | | |
| 1140596 | | | P-UB-10 | 140 mm | 200 mm | CTC-1560626 | 683.30 |
| 6NK1-; 9WL1- | | | | | | | |
| 1140596 | | | P-UB-10 | 140 mm | 200 mm | CTC-2003495 | 377.82 |
| 6RL00049-; 8XG00217- | | | | | | | |
| 1140596 | | | P-UB-10 | 140 mm | 200 mm | CTC-2344666 | 476.32 |
| BUCKET | | | | | | | |
| 1578989 | | | | | | | |
| | | | P-UB-10 | 110 mm | 160 mm | CTC-1560656 | 364.93 |
| 411726 | | | | | | | |
| | | | P-UB-10 | 110 mm | 160 mm | CTC-1560656 | 364.93 |
| 1JM1-; 6LR00081-; 6NK1-; 6RL1-; 8WJ1-; 8XG00313-; 9WL1- | | | | | | | |
| 6E0021 | | | P-UB-10 | 140 mm | 200 mm | CTC-1560626 | 683.30 |
| 1JM1-; 6LR81-; 6NK1-; 8WJ1-; 8XG00313-; 9WL1- | | | | | | | |
| 1560694 | | | P-UB-10 | 140 mm | 200 mm | CTC-2003495 | 377.82 |
| 1JM1-; 6NK1-; 8WJ1-; 9WL1- | | | | | | | |
| 6E0020 | | | P-UB-10 | 150 mm | 220 mm | CTC-1560627 | 800.19 |
| 1JM1-; 8WJ1- | | | | | | | |
| 1560697 | | | P-UB-10 | 150 mm | 220 mm | CTC-1560627 | 800.19 |
| 6LR00081-; 8XG00313- | | | | | | | |
| 1560697 | TYPE 2 | | P-UB-10 | 150 mm | 220 mm | CTC-2344667 | 958.21 |
| 6E0020 | TYPE 1 | | P-UB-10 | 150 mm | 220 mm | CTC-1560627 | 800.19 |
| 6NK1-; 9WL1- | | | | | | | |
| 1560697 | | | P-UB-10 | 150 mm | 220 mm | CTC-2344667 | 958.21 |
| 6RL1- | | | | | | | |
| 6E0020 | | | P-UB-10 | 150 mm | 220 mm | CTC-1163529 | 800.19 |
| COUNTERWEIGHT | | | | | | | |
| 1JM1-111; 6NK1-; 8WJ1-83; 9WL1- | | | | | | | |
| 6E3529 | | | P-UB-10 | 2-1/2 | 4 | CTC-710968 | 198.33 |
| LIFT | | | | | | | |
| 6E3529 | | | P-UB-10 | 2-1/2 | 4 | CTC-710968 | 198.33 |
| STICK | | | | | | | |
| 1JM1-; 6NK1-; 6RL00081-; 8WJ1-; 8XG00313-; 9WL1- | | | | | | | |
| 6E0019 | | | P-UB-10 | 150 mm | 220 mm | CTC-1560627 | 800.19 |
| 1JM1-; 6NK1-; 6RL81-; 8WJ1-; 8XG00313-; 9WL1- | | | | | | | |
| 1560664 | | | P-UB-10 | 150 mm | 220 mm | CTC-1560627 | 800.19 |
| 6NK1-; 9WL1- | | | | | | | |
| 1560679 | | | P-UB-10 | 150 mm | 220 mm | CTC-1560627 | 800.19 |

CATERPILLAR®

REPLACEMENT KITS FOR CATERPILLAR® EQUIPMENT

| Excavators | | | | | | | |
|--|---------|--------------------------------|---------|--------|--------|-------------|--------|
| APPLICATION | CYL # | Misc-Parts, Instructions, etc. | CODE | ROD | BORE | KIT # | |
| MODEL 375 | | | | | | | |
| STICK | | | | | | | |
| 6RL00106-; 8XG00350- | | | | | | | |
| | 1560665 | | P-UB-10 | 150 mm | 220 mm | CTC-2344667 | 958.21 |
| 6RL1- | | | | | | | |
| | 6E0019 | | P-UB-10 | 150 mm | 220 mm | CTC-1163529 | 800.19 |
| TRACK ADJUSTER | | | | | | | |
| 1JM1-; 6NK1-; 6RL1-; 8WJ1-; 8XG1-; 9WL1- | | | | | | | |
| | 7Y0858 | | TRK ADJ | | | CTC-7Y0858K | 71.42 |
| 6NK1-110; 8XG1-00159 | | | | | | | |
| | 7Y0859 | | TRK ADJ | | | CTC-7Y0859K | 71.42 |
| MODEL 375L | | | | | | | |
| BOOM | | | | | | | |
| | 1140596 | | P-UB-10 | 140 mm | 200 mm | CTC-2344666 | 476.32 |
| | 6E0018 | | P-UB-10 | 140 mm | 200 mm | CTC-1560626 | 683.30 |
| BUCKET | | | | | | | |
| | 411726 | | P-UB-10 | 110 mm | 160 mm | CTC-0876654 | 437.78 |
| | 6E0021 | | P-UB-10 | 140 mm | 200 mm | CTC-2344666 | 476.32 |
| LIFT | | | | | | | |
| | 6E3529 | | P-UB-10 | 2-1/2 | 4 | CTC-7I0968 | 198.33 |
| STICK | | | | | | | |
| | 6E0019 | | P-UB-10 | 150 mm | 220 mm | CTC-5I8893 | 663.99 |
| MODEL 385B | | | | | | | |
| BOOM | | | | | | | |
| ANS1- | | | | | | | |
| | 2044916 | | P-UB-10 | 145 mm | 210 mm | CTC-2417619 | 610.44 |
| ANS1-; BKF1-; BLY1-; CLS1-; FDL1-; MYA1- | | | | | | | |
| | 1559068 | | P-UB-10 | 145 mm | 210 mm | CTC-2159999 | 480.43 |
| FDL1- | | | | | | | |
| | 2332973 | | P-UB-10 | 150 mm | 220 mm | CTC-2160000 | 921.36 |
| BUCKET | | | | | | | |
| ANS1- | | | | | | | |
| | 2044920 | | P-UB-10 | 140 mm | 200 mm | CTC-2159995 | 520.20 |
| | 2044922 | | P-UB-10 | 150 mm | 220 mm | CTC-2522426 | 480.54 |
| | 2159965 | | P-UB-10 | 150 mm | 220 mm | CTC-2160000 | 921.36 |
| ANS1-; BKF1-; BLY1-; CLS1-; FDL1-; MYA1- | | | | | | | |
| | 1559074 | | P-UB-10 | 140 mm | 200 mm | CTC-2159995 | 520.20 |
| BKF1-; BLY1-; CLS1-; FDL1-; MYA1- | | | | | | | |
| | 1559077 | | P-UB-10 | 150 mm | 220 mm | CTC-2160000 | 921.36 |
| FDL1- | | | | | | | |
| | 1183935 | | P-UB-10 | 110 mm | 160 mm | CTC-2003572 | 320.85 |
| | 1772465 | | P-UB-10 | 105 mm | 150 mm | CTC-1915619 | 222.49 |
| | 2201532 | | P-UB-10 | 100 mm | 140 mm | CTC-2159985 | 168.04 |
| | 2478853 | | P-UB-10 | 105 mm | 150 mm | CTC-1915619 | 222.49 |
| MYA1- | | | | | | | |
| | 1211518 | | P-UB-10 | 90 mm | 160 mm | CTC-2526101 | 475.50 |
| COUNTERWEIGHT | | | | | | | |
| ANS1-; BKF1-; BLY1-; CLS1-; FDL1-; MYA1- | | | | | | | |
| | 1559197 | | P-UB-10 | 105 mm | 150 mm | CTC-1884219 | 222.49 |
| STICK | | | | | | | |
| ANS1- | | | | | | | |
| | 2044918 | | P-UB-10 | 150 mm | 220 mm | CTC-2089505 | 480.54 |
| FDL1- | | | | | | | |
| | 1799794 | | P-UB-10 | 140 mm | 200 mm | CTC-2159995 | 520.20 |
| | 3178432 | | P-UB-10 | 140 mm | 200 mm | CTC-2159995 | 520.20 |
| | 3264403 | | P-UB-10 | 140 mm | 200 mm | CTC-2159995 | 520.20 |

REPLACEMENT KITS FOR CATERPILLAR® EQUIPMENT

| Excavators | | | | | | | |
|--|-------|--------------------------------|---------|--------|--------|--------------|--------|
| APPLICATION | CYL # | Misc-Parts, Instructions, etc. | CODE | ROD | BORE | KIT # | |
| MODEL 385B | | | | | | | |
| TRACK ADJUSTER | | | | | | | |
| ANS1-; BKF1-; BLY1-; CLS1-; FDL1-; MYA1- | | | | | | | |
| 1686743 | | | TRK ADJ | | | CTC-1686743K | 130.02 |
| CLS1-; FDL1-; MYA1- | | | | | | | |
| 2979154 | | | TRK ADJ | | | CTC-2979154K | 130.02 |
| UNDERCARRIAGE | | | | | | | |
| FDL1- | | | | | | | |
| 1234121 | | | P-UB-10 | 2 | 4 | CTC-2409538 | 94.69 |
| UNSPECIFIED APPLICATION | | | | | | | |
| ANS1-; BKF1-; BLY1-; CLS1-; FDL1-; MYA1- | | | | | | | |
| 1559071 | | | P-UB-10 | 150 mm | 220 mm | CTC-2160000 | 921.36 |
| CLS1-; FDL1-; MYA1- | | | | | | | |
| 2590871 | | | P-UB-10 | 150 mm | 220 mm | CTC-2160000 | 921.36 |
| MODEL 385B L | | | | | | | |
| BOOM | | | | | | | |
| BKF1-; BLY1-; CLS1-; FDL1-; RCD1- | | | | | | | |
| 1559068 | | | P-UB-10 | 145 mm | 210 mm | CTC-2159999 | 480.43 |
| FDL1- | | | | | | | |
| 2332973 | | | P-UB-10 | 150 mm | 220 mm | CTC-2160000 | 921.36 |
| BUCKET | | | | | | | |
| BKF1-; BLY1-; CLS1-; FDL1-; RCD1- | | | | | | | |
| 1559074 | | | P-UB-10 | 140 mm | 200 mm | CTC-2159995 | 520.20 |
| 1559077 | | | P-UB-10 | 150 mm | 220 mm | CTC-2160000 | 921.36 |
| FDL1- | | | | | | | |
| 1183935 | | | P-UB-10 | 110 mm | 160 mm | CTC-2003572 | 320.85 |
| 1772465 | | | P-UB-10 | 105 mm | 150 mm | CTC-1915619 | 222.49 |
| 2201532 | | | P-UB-10 | 100 mm | 140 mm | CTC-2159985 | 168.04 |
| 2478853 | | | P-UB-10 | 105 mm | 150 mm | CTC-1915619 | 222.49 |
| RCD1- | | | | | | | |
| 2096037 | | | P-UB-10 | 140 mm | 200 mm | CTC-2159995 | 520.20 |
| 2159965 | | | P-UB-10 | 150 mm | 220 mm | CTC-2160000 | 921.36 |
| COUNTERWEIGHT | | | | | | | |
| BKF1-; BLY1-; CLS1-; FDL1-; RCD1- | | | | | | | |
| 1559197 | | | P-UB-10 | 105 mm | 150 mm | CTC-1915619 | 222.49 |
| STICK | | | | | | | |
| FDL1- | | | | | | | |
| 1799794 | | | P-UB-10 | 140 mm | 200 mm | CTC-2159995 | 520.20 |
| 3178432 | | | P-UB-10 | 140 mm | 200 mm | CTC-2159995 | 520.20 |
| 3264403 | | | P-UB-10 | 140 mm | 200 mm | CTC-2159995 | 520.20 |
| TRACK ADJUSTER | | | | | | | |
| BKF1-; BLY1-; CLS1-; FDL1-; RCD152- | | | | | | | |
| 1686743 | | | TRK ADJ | | | CTC-1686743K | 130.02 |
| CLS1-; FDL1-; RCD1- | | | | | | | |
| 2979154 | | | TRK ADJ | | | CTC-2979154K | 130.02 |
| UNDERCARRIAGE | | | | | | | |
| FDL1- | | | | | | | |
| 1234121 | | | P-UB-10 | 2 | 4 | CTC-2409538 | 94.69 |
| UNSPECIFIED APPLICATION | | | | | | | |
| BKF1-; BLY1-; CLS1-; FDL1-; RCD1- | | | | | | | |
| 1559071 | | | P-UB-10 | 150 mm | 220 mm | CTC-2160000 | 921.36 |
| CLS1-; FDL1-; RCD1- | | | | | | | |
| 2590871 | | | P-UB-10 | 150 mm | 220 mm | CTC-2160000 | 921.36 |
| MODEL 385C | | | | | | | |
| BOOM | | | | | | | |
| KBC1-; KGB1-; KKK1-; MNZ1-; MSF1- | | | | | | | |
| 1559068 | | | P-UB-10 | 145 mm | 210 mm | CTC-2159999 | 480.43 |

CATERPILLAR®

REPLACEMENT KITS FOR CATERPILLAR® EQUIPMENT

| Excavators | | | | | | | |
|--|---------|--------------------------------|---------|--------|--------|--------------|--------|
| APPLICATION | CYL # | Misc-Parts, Instructions, etc. | CODE | ROD | BORE | KIT # | |
| MODEL 385C | | | | | | | |
| BOOM | | | | | | | |
| KGB1-; WAW1- | | | | | | | |
| | 2332973 | | P-UB-10 | 150 mm | 220 mm | CTC-2160000 | 921.36 |
| KGB352- | | | | | | | |
| | 3539616 | | P-UB-10 | 145 mm | 210 mm | CTC-2159999 | 480.43 |
| BUCKET | | | | | | | |
| KBC1-; KGB1-; KKK1-; MNZ1- | | | | | | | |
| | 1559074 | | P-UB-10 | 140 mm | 200 mm | CTC-2159995 | 520.20 |
| | 1559077 | | P-UB-10 | 150 mm | 220 mm | CTC-2160000 | 921.36 |
| | 2096037 | | P-UB-10 | 140 mm | 200 mm | CTC-2159995 | 520.20 |
| | 2159965 | | P-UB-10 | 150 mm | 220 mm | CTC-2160000 | 921.36 |
| KGB1- | | | | | | | |
| | 2201532 | | P-UB-10 | 100 mm | 140 mm | CTC-2159985 | 168.04 |
| | 2254581 | | P-UB-10 | 105 mm | 150 mm | CTC-1915619 | 222.49 |
| | 2478853 | | P-UB-10 | 105 mm | 150 mm | CTC-1915619 | 222.49 |
| | 2898012 | | P-UB-10 | 105 mm | 150 mm | CTC-1915619 | 222.49 |
| | 3154442 | | P-UB-10 | 105 mm | 150 mm | CTC-1915619 | 222.49 |
| KGB1-; MSF1- | | | | | | | |
| | 3154451 | | P-UB-10 | 105 mm | 150 mm | CTC-3764331 | 215.87 |
| COUNTERWEIGHT | | | | | | | |
| KBC1-; KGB1-; KKK1-; MNZ1-; MSF1- | | | | | | | |
| | 1559197 | | P-UB-10 | 105 mm | 150 mm | CTC-1915619 | 222.49 |
| STICK | | | | | | | |
| KGB1- | | | | | | | |
| | 1799794 | | P-UB-10 | 140 mm | 200 mm | CTC-2159995 | 520.20 |
| | 3178432 | | P-UB-10 | 140 mm | 200 mm | CTC-2159995 | 520.20 |
| | 3264403 | | P-UB-10 | 140 mm | 200 mm | CTC-2159995 | 520.20 |
| KGB1-; KKK1- | | | | | | | |
| | 2898031 | | P-UB-10 | 115 mm | 170 mm | CTC-3198295 | 317.36 |
| KGB1-; KKK1-; MNZ1-; MSF1- | | | | | | | |
| | 3153375 | TYPE 1 | P-UB-10 | 150 mm | 220 mm | CTC-2160000 | 921.36 |
| | 3153375 | TYPE 2 | P-UB-10 | 150 mm | 220 mm | CTC-3701866 | 592.41 |
| WAW1- | | | | | | | |
| | 2632504 | | P-UB-10 | 130 mm | 190 mm | CTC-3319328 | 453.04 |
| STICK LH | | | | | | | |
| KGB1-; KKK1- | | | | | | | |
| | 2344601 | | P-UB-10 | 115 mm | 170 mm | CTC-2316844 | 435.81 |
| | 2836188 | | P-UB-10 | 115 mm | 170 mm | CTC-3198295 | 317.36 |
| STICK RH | | | | | | | |
| KGB1-; KKK1- | | | | | | | |
| | 2876811 | | P-UB-10 | 115 mm | 170 mm | CTC-2316844 | 435.81 |
| | 3071481 | | P-UB-10 | 115 mm | 170 mm | CTC-3198295 | 317.36 |
| TRACK ADJUSTER | | | | | | | |
| KBC1-; KGB1-; KKK208-; MNZ163-; MSF1-; WAW221- | | | | | | | |
| | 2979154 | | TRK ADJ | | | CTC-2979154K | 130.02 |
| KBC1-; KGB1-407; KKK1-207; MNZ1-162; WAW1-220 | | | | | | | |
| | 1686743 | | TRK ADJ | | | CTC-1686743K | 130.02 |
| UNDERCARRIAGE | | | | | | | |
| KGB1- | | | | | | | |
| | 1234121 | | P-UB-10 | 2 | 4 | CTC-2409538 | 94.69 |
| UNSPECIFIED APPLICATION | | | | | | | |
| KBC1-; KGB1-; KKK1-; MNZ1- | | | | | | | |
| | 1559071 | | P-UB-10 | 150 mm | 220 mm | CTC-2160000 | 921.36 |
| | 2590871 | | P-UB-10 | 150 mm | 220 mm | CTC-2160000 | 921.36 |

REPLACEMENT KITS FOR CATERPILLAR® EQUIPMENT

| Excavators | | | | | | | |
|--|---------|--------------------------------|---------|--------|--------|--------------|--------|
| APPLICATION | CYL # | Misc-Parts, Instructions, etc. | CODE | ROD | BORE | KIT # | |
| MODEL 385C FS | | | | | | | |
| BOOM | | | | | | | |
| EAM1-; GLT1-; MMA1-; T2F1- | | | | | | | |
| | 1850165 | | P-UB-10 | 130 mm | 180 mm | CTC-2159996 | 392.32 |
| BUCKET | | | | | | | |
| EAM1-; GLT1-; MMA1-; T2F1- | | | | | | | |
| | 1057485 | | P-UB-10 | 5-3/4 | 7 | CTC-1211605 | 449.49 |
| | 1211518 | | P-UB-10 | 90 mm | 160 mm | CTC-2526101 | 475.50 |
| EAM1-; MMA1-; T2F1- | | | | | | | |
| | 3743206 | | P-UB-10 | 5-3/4 | 7 | CTC-1211605 | 449.49 |
| COUNTERWEIGHT | | | | | | | |
| GLT1- | | | | | | | |
| | 1559197 | | P-UB-10 | 105 mm | 150 mm | CTC-1915619 | 222.49 |
| MASTER CYLINDER | | | | | | | |
| EAM1-; GLT1-; MMA1-; T2F1- | | | | | | | |
| | 415693 | | P-UB-10 | 5 | 6 | CTC-1211597 | 332.34 |
| EAM1-; MMA1-; T2F1- | | | | | | | |
| | 3744298 | | P-UB-10 | 5 | 6 | CTC-1211597 | 332.34 |
| STICK | | | | | | | |
| EAM1-; GLT1-; MMA1-; T2F1- | | | | | | | |
| | 2092917 | | P-UB-10 | 150 mm | 220 mm | CTC-2160000 | 921.36 |
| TRACK ADJUSTER | | | | | | | |
| EAM1-289; GLT1-; MMA1-265; T2F1- | | | | | | | |
| | 1686743 | | TRK ADJ | | | CTC-1686743K | 130.02 |
| EAM290-; GLT1-; MMA226-; T2F1- | | | | | | | |
| | 2979154 | | TRK ADJ | | | CTC-2979154K | 130.02 |
| MODEL 385C L | | | | | | | |
| BOOM | | | | | | | |
| EDA1-; JCM1-; KGB1-; KKK1-; SBE1-; T2E1- | | | | | | | |
| | 1559068 | | P-UB-10 | 145 mm | 210 mm | CTC-2159999 | 480.43 |
| KGB1-; M3W1-; T2E1- | | | | | | | |
| | 2332973 | | P-UB-10 | 150 mm | 220 mm | CTC-2160000 | 921.36 |
| KGB352- | | | | | | | |
| | 3539616 | | P-UB-10 | 145 mm | 210 mm | CTC-2159999 | 480.43 |
| BUCKET | | | | | | | |
| EDA1-; JCM1-; KGB1-; KKK1-; SBE1-; T2E1- | | | | | | | |
| | 1559074 | | P-UB-10 | 140 mm | 200 mm | CTC-2159995 | 520.20 |
| | 1559077 | | P-UB-10 | 150 mm | 220 mm | CTC-2160000 | 921.36 |
| | 2096037 | | P-UB-10 | 140 mm | 200 mm | CTC-2159995 | 520.20 |
| | 2159965 | | P-UB-10 | 150 mm | 220 mm | CTC-2160000 | 921.36 |
| JCM1-; SBE1- | | | | | | | |
| | 1438004 | | P-UB-10 | 130 mm | 180 mm | CTC-2159996 | 392.32 |
| | 1438007 | | P-UB-10 | 140 mm | 200 mm | CTC-2159995 | 520.20 |
| KGB1-; SBE1- | | | | | | | |
| | 2254581 | | P-UB-10 | 105 mm | 150 mm | CTC-1915619 | 222.49 |
| | 2898012 | | P-UB-10 | 105 mm | 150 mm | CTC-1915619 | 222.49 |
| | 3154442 | | P-UB-10 | 105 mm | 150 mm | CTC-1915619 | 222.49 |
| | 3154451 | | P-UB-10 | 105 mm | 150 mm | CTC-3764331 | 215.87 |
| KGB1-; T2E1- | | | | | | | |
| | 2201532 | | P-UB-10 | 100 mm | 140 mm | CTC-2159985 | 168.04 |
| | 2478853 | | P-UB-10 | 105 mm | 150 mm | CTC-1915619 | 222.49 |
| T2E1- | | | | | | | |
| | 3998583 | | P-UB-10 | 105 mm | 150 mm | CTC-1915619 | 222.49 |
| COUNTERWEIGHT | | | | | | | |
| EDA1-; JCM1-; KGB1-; KKK1-; SBE1-; T2E1- | | | | | | | |
| | 1559197 | | P-UB-10 | 105 mm | 150 mm | CTC-1915619 | 222.49 |

CATERPILLAR®

REPLACEMENT KITS FOR CATERPILLAR® EQUIPMENT

| Excavators | | | | | | | |
|---|--------|--------------------------------|---------|--------|--------|--------------|---------|
| APPLICATION | CYL # | Misc-Parts, Instructions, etc. | CODE | ROD | BORE | KIT # | |
| MODEL 385C L | | | | | | | |
| STICK | | | | | | | |
| EDA1-; JCM1-; KGB1-; KKK1-; SBE1-; T2E1- | | | | | | | |
| 3153375 | TYPE 1 | | P-UB-10 | 150 mm | 220 mm | CTC-2160000 | 921.36 |
| 3153375 | TYPE 2 | | P-UB-10 | 150 mm | 220 mm | CTC-3701866 | 592.41 |
| KGB1- | | | | | | | |
| 3264403 | | | P-UB-10 | 140 mm | 200 mm | CTC-2159995 | 520.20 |
| KGB1-; T2E1- | | | | | | | |
| 1799794 | | | P-UB-10 | 140 mm | 200 mm | CTC-2159995 | 520.20 |
| 3178432 | | | P-UB-10 | 140 mm | 200 mm | CTC-2159995 | 520.20 |
| KGB1-; KKK1- | | | | | | | |
| 2898031 | | | P-UB-10 | 115 mm | 170 mm | CTC-3198295 | 317.36 |
| STICK LH | | | | | | | |
| KGB1-; KKK1- | | | | | | | |
| 2344601 | | | P-UB-10 | 115 mm | 170 mm | CTC-2316844 | 435.81 |
| 2836188 | | | P-UB-10 | 115 mm | 170 mm | CTC-3198295 | 317.36 |
| STICK RH | | | | | | | |
| KGB1-; KKK1- | | | | | | | |
| 2876811 | | | P-UB-10 | 115 mm | 170 mm | CTC-2316844 | 435.81 |
| 3071481 | | | P-UB-10 | 115 mm | 170 mm | CTC-3198295 | 317.36 |
| TRACK ADJUSTER | | | | | | | |
| EDA1-; JCM184-; KGB1-; KKK208-; M3W1-; SBE297-; T2E1- | | | | | | | |
| 2979154 | | | TRK ADJ | | | CTC-2979154K | 130.02 |
| EDA1-462; JCM1-183; KGB1-407; KKK1-207; SBE1-296; T2E1- | | | | | | | |
| 1686743 | | | TRK ADJ | | | CTC-1686743K | 130.02 |
| UNDERCARRIAGE | | | | | | | |
| KGB1-; T2E1- | | | | | | | |
| 1234121 | | | P-UB-10 | 2 | 4 | CTC-2409538 | 94.69 |
| UNSPECIFIED APPLICATION | | | | | | | |
| EDA1-; JCM1-; KGB1-; KKK1-; SBE1-; T2E1- | | | | | | | |
| 1559071 | | | P-UB-10 | 150 mm | 220 mm | CTC-2160000 | 921.36 |
| 2590871 | | | P-UB-10 | 150 mm | 220 mm | CTC-2160000 | 921.36 |
| MODEL 5110B | | | | | | | |
| BOOM | | | | | | | |
| AAA1-UP; AAK1-UP; AAT1-UP | | | | | | | |
| 1671847 | | | P-UB-10 | 6-1/2 | 9-1/4 | CTC-SK100017 | 1246.05 |
| BUCKET | | | | | | | |
| AAA1-UP | | | | | | | |
| 1681838 | | | P-UB-10 | 7 | 10 | CTC-SK100018 | 1173.68 |
| AAA344-UP | | | | | | | |
| 2287940 | | | P-UB-10 | 7 | 10 | CTC-SK100018 | 1173.68 |
| 2469100 | | | P-UB-10 | 7 | 10 | CTC-SK100018 | 1173.68 |
| STICK | | | | | | | |
| AAA1-UP | | | | | | | |
| 2469045 | | | P-UB-10 | 7 | 10 | CTC-SK100018 | 1173.68 |
| AAA344-348 | | | | | | | |
| 1681843 | | | P-UB-10 | 7 | 10 | CTC-SK100018 | 1173.68 |
| AAA349-UP | | | | | | | |
| 2163337 | | | P-UB-10 | 7 | 10 | CTC-SK100018 | 1173.68 |
| AAK1-UP | | | | | | | |
| 2057707 | | | P-UB-10 | 7 | 10 | CTC-SK100018 | 1173.68 |
| 2469049 | | | P-UB-10 | 7 | 10 | CTC-SK100018 | 1173.68 |
| AAT1-UP | | | | | | | |
| 2226406 | | | P-UB-10 | 150 mm | 220 mm | CTC-SK100019 | 664.64 |
| TRACK ADJUSTER | | | | | | | |
| AAA1-UP; AAK1-UP; AAT1-UP | | | | | | | |
| 1271474 | | | TRK ADJ | | | CTC-SK100016 | 253.39 |

REPLACEMENT KITS FOR CATERPILLAR® EQUIPMENT

| Excavators | | | | | | | |
|--------------------|---------|--------------------------------------|---------|-------|--------|--------------|---------|
| APPLICATION | CYL # | Misc-Parts, Instructions, etc. | CODE | ROD | BORE | KIT # | |
| MODEL 5110B | | | | | | | |
| WORK TOOL | | | | | | | |
| AAK1-UP | | | | | | | |
| | 2057222 | | P-UB-10 | 6-1/2 | 9-1/4 | CTC-SK100017 | 1246.05 |
| MODEL 5130 | | | | | | | |
| BOOM | | | | | | | |
| 5ZL1-39 | | | | | | | |
| | 1064338 | Front Shovel | P-UB-10 | 7 | 11 | CTC-2463446 | 728.37 |
| 5ZL1-UP | | | | | | | |
| | 1076228 | TYPE 1,2 | P-UB-10 | 7-1/2 | 11 | CTC-2395021 | 753.65 |
| 5ZL40-UP | | | | | | | |
| | 1207610 | Front Shovel | P-UB-10 | 7 | 11 | CTC-2463446 | 728.37 |
| BUCKET | | | | | | | |
| 5ZL1-39 | | | | | | | |
| | 1064340 | Front Shovel | P-UB-10 | 6 | 7-1/2 | CTC-2463443 | 619.23 |
| 5ZL1-UP | | | | | | | |
| | 1079625 | TYPE 1 | P-UB-10 | 6-1/2 | 8-1/2 | CTC-2481190 | 708.21 |
| | 1079625 | TYPE 2 | P-UB-10 | 6-1/2 | 8-1/2 | CTC-2481192 | 783.55 |
| | 1141169 | TYPE 1 | P-UB-10 | 6-1/2 | 8-1/2 | CTC-2481190 | 708.21 |
| | 1141169 | TYPE 2 | P-UB-10 | 6-1/2 | 8-1/2 | CTC-2481192 | 783.55 |
| | 6E5752 | Front Shovel | P-UB-10 | 3 | 6 | CTC-2442053 | 443.43 |
| BUCKET LH | | | | | | | |
| 5ZL44-UP | | | | | | | |
| | 1224967 | Front Shovel; 1 2.49in wear ring | P-UB-10 | 6 | 7-1/2 | CTC-2463443 | 619.23 |
| | 1224967 | Front Shovel; 2 1.49in wear rings | P-UB-10 | 6 | 7-1/2 | CTC-2463445 | 818.16 |
| BUCKET RH | | | | | | | |
| 5ZL1-UP | | | | | | | |
| | 1122053 | Front Shovel; 1 2.49in wear ring | P-UB-10 | 6 | 7-1/2 | CTC-2463443 | 619.23 |
| | 1122053 | Front Shovel; 2 1.49in wear rings | P-UB-10 | 6 | 7-1/2 | CTC-2463445 | 818.16 |
| STICK | | | | | | | |
| 5ZL1-39 | | | | | | | |
| | 1064339 | Front Shovel; 2.49in wide wear ring | P-UB-10 | 6 | 7-1/2 | CTC-2463443 | 619.23 |
| | 1064339 | Front Shovel; 1.49in wide wear ring | P-UB-10 | 6 | 7-1/2 | CTC-2463445 | 818.16 |
| 5ZL1-UP | | | | | | | |
| | 1036035 | TYPE 2,3; 2 1.49in piston wear rings | P-UB-10 | 7-1/4 | 10 | CTC-2481194 | 719.35 |
| | 1036035 | TYPE 1; 1 3.24in piston wear ring | P-UB-10 | 7-1/4 | 10 | CTC-SK100066 | 585.08 |
| | 1122049 | Front Shovel; 1 2.49in wear ring | P-UB-10 | 6 | 7-1/2 | CTC-2463443 | 619.23 |
| | 1122049 | Front Shovel; 2 1.49in wear rings | P-UB-10 | 6 | 7-1/2 | CTC-2463445 | 818.16 |
| TRACK ADJUSTER | | | | | | | |
| 5ZL1-70 | | | | | | | |
| | 6E5821 | | TRK ADJ | 6 | | CTC-SK100084 | 190.79 |
| 5ZL71-UP | | | | | | | |
| | 1271474 | | TRK ADJ | | | CTC-SK100016 | 253.39 |
| MODEL 5130B | | | | | | | |
| BOOM | | | | | | | |
| 4CS1-UP | | | | | | | |
| | 1076228 | | P-UB-10 | 7-1/2 | 11 | CTC-2395021 | 753.65 |
| | 1207610 | Front Shovel | P-UB-10 | 7 | 11 | CTC-2463446 | 728.37 |
| BUCKET | | | | | | | |
| 4CS1-UP | | | | | | | |
| | 6E5752 | Front Shovel | P-UB-10 | 3 | 6 | CTC-2442053 | 443.43 |
| BUCKET LH | | | | | | | |
| 4CS1-153 | | | | | | | |
| | 1365044 | | P-UB-10 | 6-1/2 | 220 mm | CTC-SK100081 | 847.57 |
| 4CS154-UP | | | | | | | |
| | 1491064 | | P-UB-10 | 7 | 220 mm | CTC-SK100089 | 616.53 |

REPLACEMENT KITS FOR CATERPILLAR® EQUIPMENT

| Excavators | | | | | | | |
|-----------------------------|-------|-----------------------------------|---------|-------|--------|--------------|--------|
| APPLICATION | CYL # | Misc-Parts, Instructions, etc. | CODE | ROD | BORE | KIT # | |
| MODEL 5130B | | | | | | | |
| BUCKET LH | | | | | | | |
| 4CS173-UP | | | | | | | |
| 1491064 | | | P-UB-10 | 7 | 220 mm | CTC-SK100090 | 593.62 |
| 4CS1-UP | | | | | | | |
| 1224967 | | Front Shovel; 1 2.49in wear ring | P-UB-10 | 6 | 7-1/2 | CTC-2463443 | 619.23 |
| 1224967 | | Front Shovel; 2 1.49in wear rings | P-UB-10 | 6 | 7-1/2 | CTC-2463445 | 818.16 |
| BUCKET RH | | | | | | | |
| 4CS1-153 | | | | | | | |
| 1365043 | | | P-UB-10 | 6-1/2 | 220 mm | CTC-SK100081 | 847.57 |
| 4CS154-UP | | | | | | | |
| 1491063 | | | P-UB-10 | 7 | 220 mm | CTC-SK100089 | 616.53 |
| 4CS173-UP | | | | | | | |
| 1491063 | | | P-UB-10 | 7 | 220 mm | CTC-SK100090 | 593.62 |
| 4CS1-UP | | | | | | | |
| 1122053 | | Front Shovel; 1 2.49in wear ring | P-UB-10 | 6 | 7-1/2 | CTC-2463443 | 619.23 |
| 1122053 | | Front Shovel; 2 1.49in wear rings | P-UB-10 | 6 | 7-1/2 | CTC-2463445 | 818.16 |
| STICK | | | | | | | |
| 4CS1-196 | | | | | | | |
| 1036035 | | | P-UB-10 | 7-1/4 | 10 | CTC-2481194 | 719.35 |
| 4CS197-UP | | | | | | | |
| 2133531 | | TYPE 1,2 | P-UB-10 | 7-1/4 | 10 | CTC-2481194 | 719.35 |
| 4CS1-UP | | | | | | | |
| 1122049 | | Front Shovel; 1 2.49in wear ring | P-UB-10 | 6 | 7-1/2 | CTC-2463443 | 619.23 |
| 1122049 | | Front Shovel; 2 1.49in wear rings | P-UB-10 | 6 | 7-1/2 | CTC-2463445 | 818.16 |
| TRACK ADJUSTER | | | | | | | |
| 4CS1-UP | | | | | | | |
| 1271474 | | | TRK ADJ | | | CTC-SK100016 | 253.39 |
| Excavators - Compact | | | | | | | |
| APPLICATION | CYL # | Misc-Parts, Instructions, etc. | CODE | ROD | BORE | KIT # | |
| MODEL 301.7D CR | | | | | | | |
| BLADE | | | | | | | |
| LJ81-782; LJD1-1593 | | | | | | | |
| 3951267 | | | P-UB-10 | 35 mm | 65 mm | CTC-3951270 | 87.08 |
| LJ81-UP; LJD1-UP | | | | | | | |
| 5697876 | | | I-U-10 | 40 mm | 70 mm | CTC-5708323 | 191.65 |
| BOOM | | | | | | | |
| LJ81-1447; LJD1-2912 | | | | | | | |
| 4385867 | | | P-U-10 | 35 mm | 65 mm | CTC-3792735 | 51.76 |
| LJ81448-UP; LJD2913-UP | | | | | | | |
| 5809596 | | | I-U-10 | 35 mm | 65 mm | CTC-5792831 | 350.22 |
| 5809596 | | | Bushing | 35 mm | | CTC-5767333 | 9.90 |
| LJ81-UP; LJD1-UP | | | | | | | |
| 5749285 | | | I-U-10 | 30 mm | 60 mm | CTC-5749252 | 350.16 |
| BOOM OFFSET | | | | | | | |
| LJ81-UP; LJK1-1549 | | | | | | | |
| 5046725 | | | P-U-10 | 30 mm | 60 mm | CTC-3792737 | 61.56 |
| BUCKET | | | | | | | |
| LJ81-733; LJD1-1261 | | | | | | | |
| 3792868 | | | P-U-10 | 30 mm | 55 mm | CTC-3735748 | 66.21 |
| LJ8734-1450; LJD1262-2913 | | | | | | | |
| 5199252 | | | P-U-10 | 30 mm | 55 mm | CTC-5199260 | 330.77 |
| LJ8734-UP; LJD1262-UP | | | | | | | |
| 5809586 | | | I-U-10 | 30 mm | 55 mm | CTC-5764154 | 115.57 |
| 5809586 | | | Bushing | 30 mm | | CTC-5764153 | 8.93 |

REPLACEMENT KITS FOR CATERPILLAR® EQUIPMENT

| Excavators - Compact | | | | | | | |
|------------------------|---------|--------------------------------|---------|-------|-------|-------------|--------|
| APPLICATION | CYL # | Misc-Parts, Instructions, etc. | CODE | ROD | BORE | KIT # | |
| MODEL 301.7D CR | | | | | | | |
| DIPPER | | | | | | | |
| LJ81-1450; LJD1-2913 | | | | | | | |
| | 5727051 | | P-U-10 | 30 mm | 55 mm | CTC-3735748 | 66.21 |
| STICK | | | | | | | |
| LJ81-1450; LJD1-2913 | | | | | | | |
| | 4385854 | | P-U-10 | 30 mm | 55 mm | CTC-3735748 | 66.21 |
| LJ81451-UP; LJD2914-UP | | | | | | | |
| | 5809592 | | I-U-10 | 30 mm | 55 mm | CTC-5764154 | 115.57 |
| | 5809592 | | Bushing | 30 mm | | CTC-5764153 | 8.93 |
| SWING | | | | | | | |
| LJ81451-UP; LJD2914-UP | | | | | | | |
| | 5809588 | | I-U-10 | 30 mm | 60 mm | CTC-5792777 | 287.48 |
| SWING BOOM | | | | | | | |
| LJ81-UP; LJD1-1549 | | | | | | | |
| | 4397245 | | P-U-10 | 30 mm | 60 mm | CTC-3792737 | 61.56 |
| TELESCOPING | | | | | | | |
| LJ81392-UP; LJD2726-UP | | | | | | | |
| | 5809598 | | I-U-10 | 30 mm | 50 mm | CTC-5764815 | 128.96 |
| | 5809598 | | Bushing | 30 mm | | CTC-5764153 | 8.93 |
| TILT | | | | | | | |
| LJ81-UP; LJD1-UP | | | | | | | |
| | 2443074 | | P-U-10 | 30 mm | 60 mm | CTC-1608546 | 70.53 |
| UNDERCARRIAGE | | | | | | | |
| LJ81-1391; LJD1-UP | | | | | | | |
| | 5718026 | | P-U-10 | 30 mm | 50 mm | CTC-3951275 | 95.87 |
| MODEL 302.7D | | | | | | | |
| BLADE | | | | | | | |
| LJ71-UP; LJL1-UP | | | | | | | |
| | 5725855 | | I-UB-14 | 50 mm | 90 mm | CTC-3842381 | 210.84 |
| LJL1-UP | | | | | | | |
| | 3841112 | | I-UB-14 | 50 mm | 90 mm | CTC-3842381 | 210.84 |
| BOOM | | | | | | | |
| LJ71-UP; LJL1-UP | | | | | | | |
| | 3841130 | | I-UB-10 | 40 mm | 70 mm | CTC-3842448 | 212.13 |
| BOOM SWING | | | | | | | |
| LJ71-UP; LJL1-UP | | | | | | | |
| | 5248765 | | I-UB-10 | 40 mm | 70 mm | CTC-3842454 | 185.88 |
| BUCKET | | | | | | | |
| LJ71-UP; LJL1-UP | | | | | | | |
| | 4674023 | | I-UB-10 | 36 mm | 65 mm | CTC-3860714 | 130.19 |
| | 4674025 | | I-UB-10 | 40 mm | 65 mm | CTC-4671783 | 254.80 |
| STICK | | | | | | | |
| LJ71-UP; LJL1-UP | | | | | | | |
| | 3841131 | | I-UB-10 | 45 mm | 70 mm | CTC-3842452 | 204.10 |
| THUMB | | | | | | | |
| LJ71-UP; LJL1-UP | | | | | | | |
| | 2688223 | | P-U-10 | 1-1/2 | 2-1/2 | CTC-2782253 | 107.23 |
| | 2688223 | | Bushing | 1-1/2 | | CTC-2782248 | 17.55 |
| TILT | | | | | | | |
| LJL1-UP | | | | | | | |
| | 2443074 | | P-U-10 | 30 mm | 60 mm | CTC-1608546 | 70.53 |
| MODEL 303.5E CR | | | | | | | |
| BLADE | | | | | | | |
| RSE1-UP | | | | | | | |
| | 2666979 | | P-U-10 | 45 mm | 80 mm | CTC-2788641 | 100.77 |

REPLACEMENT KITS FOR CATERPILLAR® EQUIPMENT

| Excavators - Compact | | | | | | | |
|------------------------|---------|--------------------------------|---------|-------|-------|-------------|--------|
| APPLICATION | CYL # | Misc-Parts, Instructions, etc. | CODE | ROD | BORE | KIT # | |
| MODEL 303.5E CR | | | | | | | |
| BLADE | | | | | | | |
| | SFH1-UP | | | | | | |
| | 2666979 | | P-U-10 | 45 mm | 80 mm | CTC-2788641 | 100.77 |
| BLADE ANGLE | | | | | | | |
| | RKY1-UP | | | | | | |
| | 2866384 | | P-U-10 | 35 mm | 65 mm | CTC-2839122 | 58.75 |
| BLADE LIFT | | | | | | | |
| | RKY1-UP | | | | | | |
| | 2666979 | | P-U-10 | 45 mm | 80 mm | CTC-2788641 | 100.77 |
| BOOM | | | | | | | |
| | RKY1-UP | | | | | | |
| | 2840420 | | P-U-10 | 45 mm | 80 mm | CTC-2788641 | 100.77 |
| | RSE1-UP | | | | | | |
| | 2737034 | | P-U-10 | 45 mm | 80 mm | CTC-2788641 | 100.77 |
| | SFH1-UP | | | | | | |
| | 2840420 | | P-U-10 | 45 mm | 80 mm | CTC-2788641 | 100.77 |
| BUCKET | | | | | | | |
| | RKY1-UP | | | | | | |
| | 3760170 | | P-U-10 | 40 mm | 70 mm | CTC-2519845 | 96.61 |
| | RSE1-UP | | | | | | |
| | 3760170 | | P-U-10 | 40 mm | 70 mm | CTC-2519845 | 96.61 |
| | SFH1-UP | | | | | | |
| | 3760170 | | P-U-10 | 40 mm | 70 mm | CTC-2519845 | 96.61 |
| QUICK COUPLER | | | | | | | |
| | RKY1-UP | | | | | | |
| | 3611125 | | I-U-11 | 3/4 | 1 1/4 | CTC-3611078 | 197.82 |
| STICK | | | | | | | |
| | RKY1-UP | | | | | | |
| | 2840863 | | P-U-10 | 45 mm | 80 mm | CTC-2797940 | 107.54 |
| | RSE1-UP | | | | | | |
| | 2737035 | | P-U-10 | 45 mm | 80 mm | CTC-2797940 | 107.54 |
| | SFH1-UP | | | | | | |
| | 2840863 | | P-U-10 | 45 mm | 80 mm | CTC-2797940 | 107.54 |
| SWING BOOM | | | | | | | |
| | RKY1-UP | | | | | | |
| | 3760171 | | P-U-10 | 50 mm | 85 mm | CTC-2790639 | 118.56 |
| | RSE1-UP | | | | | | |
| | 3760171 | | P-U-10 | 50 mm | 85 mm | CTC-2790639 | 118.56 |
| | SFH1-UP | | | | | | |
| | 3760171 | | P-U-10 | 50 mm | 85 mm | CTC-2790639 | 118.56 |
| THUMB | | | | | | | |
| | RKY1-UP | | | | | | |
| | 2688224 | | P-U-10 | 1 1/2 | 2 1/2 | CTC-2782257 | 64.23 |
| TILT | | | | | | | |
| | RKY1-UP | | | | | | |
| | 2460192 | | P-UB-10 | 1-1/2 | 3 | CTC-2350354 | 47.14 |
| MODEL 303.5E2 | | | | | | | |
| ANGLE BLADE | | | | | | | |
| | JWY1-UP | | | | | | |
| | 3976961 | | P-U-10 | 35 mm | 65 mm | CTC-4690723 | 160.67 |
| BLADE | | | | | | | |
| | JWY1-UP | | | | | | |
| | 3976963 | | P-U-10 | 45 mm | 80 mm | CTC-4690717 | 201.49 |
| | 4874410 | | P-U-10 | 40 mm | 80 mm | CTC-5078289 | 186.70 |

REPLACEMENT KITS FOR CATERPILLAR® EQUIPMENT

| Excavators - Compact | | | | | | | |
|------------------------------------|---------|--------------------------------|-----------|-------|-------|--------------|--------|
| APPLICATION | CYL # | Misc-Parts, Instructions, etc. | CODE | ROD | BORE | KIT # | |
| MODEL 303.5E2 | | | | | | | |
| BOOM | | | | | | | |
| JWY1-UP | | | | | | | |
| | 3976967 | | P-U-10 | 45 mm | 80 mm | CTC-4690676 | 216.68 |
| | 3976971 | | P-U-10 | 45 mm | 80 mm | CTC-4690676 | 216.68 |
| BUCKET | | | | | | | |
| JWY1-UP | | | | | | | |
| | 3976978 | | P-U-10 | 40 mm | 70 mm | CTC-4690689 | 160.92 |
| QUICK COUPLER | | | | | | | |
| JWY1-UP | | | | | | | |
| | 3611125 | | I-U-11 | 3/4 | 1 1/4 | CTC-3611078 | 197.82 |
| | 4855287 | | Valve Kit | | | CTC-4999314 | 71.30 |
| | 5674570 | | I-U-10 | 3/4 | 1-1/4 | CTC-4855282 | 239.35 |
| STICK | | | | | | | |
| JWY1-UP | | | | | | | |
| | 3976983 | | P-U-10 | 45 mm | 80 mm | CTC-4690682 | 213.25 |
| SWING BOOM | | | | | | | |
| JWY1-UP | | | | | | | |
| | 3976975 | | P-U-10 | 50 mm | 85 mm | CTC-4690729 | 231.29 |
| THUMB | | | | | | | |
| JWY1-UP | | | | | | | |
| | 2688224 | | P-U-10 | 1 1/2 | 2 1/2 | CTC-2782257 | 64.23 |
| | 2688224 | | Bushing | 1-1/2 | | CTC-2782248 | 17.55 |
| TRACK ADJUSTER | | | | | | | |
| JWY1-461 | | | | | | | |
| | 4220865 | | TRK ADJ | | | CTC-SK100206 | 10.75 |
| | 4220866 | | TRK ADJ | | | CTC-SK100206 | 10.75 |
| JWY462-UP | | | | | | | |
| | 4691395 | | TRK ADJ | | | CTC-SK100206 | 10.75 |
| | 4691396 | | TRK ADJ | | | CTC-SK100206 | 10.75 |
| MODEL 303.5E2 CR | | | | | | | |
| ANGLE BLADE | | | | | | | |
| BG81-UP | | | | | | | |
| | 3976961 | | P-U-10 | 35 mm | 65 mm | CTC-4690723 | 160.67 |
| BLADE | | | | | | | |
| AC51-UP; CR61-UP; CR91-UP; DWD1-UP | | | | | | | |
| | 2666979 | | P-U-10 | 45 mm | 80 mm | CTC-2788641 | 100.77 |
| | 2666979 | | Bushing | 45 mm | | CTC-2378377 | 21.38 |
| BG81-UP | | | | | | | |
| | 3976963 | | P-U-10 | 45 mm | 80 mm | CTC-4690717 | 201.49 |
| BOOM | | | | | | | |
| AC51-UP; DWD1-UP | | | | | | | |
| | 2737034 | | P-U-10 | 45 mm | 80 mm | CTC-2788641 | 100.77 |
| | 2737034 | | Bushing | 45 mm | | CTC-3147387 | 21.38 |
| BG81-UP | | | | | | | |
| | 3976967 | | P-U-10 | 45 mm | 80 mm | CTC-4690676 | 216.68 |
| | 3976971 | | P-U-10 | 45 mm | 80 mm | CTC-4690676 | 216.68 |
| BUCKET | | | | | | | |
| AC51-UP; CR61-UP; CR91-UP; DWD1-UP | | | | | | | |
| | 3760170 | | P-U-10 | 40 mm | 70 mm | CTC-2519845 | 96.61 |
| | 3760170 | | Bushing | 40 mm | | CTC-3108780 | 11.58 |
| BG81-UP | | | | | | | |
| | 3976978 | | P-U-10 | 40 mm | 70 mm | CTC-4690689 | 160.92 |
| QUICK COUPLER | | | | | | | |
| BG81-UP; CR61-UP | | | | | | | |
| | 3611125 | | I-U-11 | 3/4 | 1 1/4 | CTC-3611078 | 197.82 |
| | 5674570 | | I-U-10 | 3/4 | 1-1/4 | CTC-4855282 | 239.35 |

REPLACEMENT KITS FOR CATERPILLAR® EQUIPMENT

| Excavators - Compact | | | | | | | |
|------------------------------------|---------|--------------------------------|-----------|-------|-------|--------------|--------|
| APPLICATION | CYL # | Misc-Parts, Instructions, etc. | CODE | ROD | BORE | KIT # | |
| MODEL 303.5E2 CR | | | | | | | |
| QUICK COUPLER | | | | | | | |
| CR61-UP; DWD1-UP | | | | | | | |
| | 4855287 | | Valve Kit | | | CTC-4999314 | 71.30 |
| STICK | | | | | | | |
| AC51-UP; DWD1-UP | | | | | | | |
| | 2737035 | | P-U-10 | 45 mm | 80 mm | CTC-2797940 | 107.54 |
| | 2737035 | | Bushing | 45 mm | | CTC-2378377 | 21.38 |
| BG81-UP | | | | | | | |
| | 3976983 | | P-U-10 | 45 mm | 80 mm | CTC-4690682 | 213.25 |
| CR61-UP; CR91-UP | | | | | | | |
| | 2840863 | | P-U-10 | 45 mm | 80 mm | CTC-2797940 | 107.54 |
| | 2840863 | | Bushing | 45 mm | | CTC-2378377 | 21.38 |
| SWING BOOM | | | | | | | |
| AC51-UP; CR61-UP; CR91-UP | | | | | | | |
| | 3760171 | | P-U-10 | 50 mm | 85 mm | CTC-2790639 | 118.56 |
| | 3760171 | | Bushing | 50 mm | | CTC-3111031 | 21.65 |
| BG81-UP | | | | | | | |
| | 3976975 | | P-U-10 | 50 mm | 85 mm | CTC-4690729 | 231.29 |
| THUMB | | | | | | | |
| BG81-UP | | | | | | | |
| | 2688224 | | P-U-10 | 1 1/2 | 2 1/2 | CTC-2782257 | 64.23 |
| | 2688224 | | Bushing | 1-1/2 | | CTC-2782248 | 17.55 |
| TILT | | | | | | | |
| BG81-UP | | | | | | | |
| | 2460192 | | P-UB-10 | 1-1/2 | 3 | CTC-2350354 | 47.14 |
| TRACK ADJUSTER | | | | | | | |
| AC51-UP; CR61-UP; CR91-UP; DWD1-UP | | | | | | | |
| | 3927373 | | TRK ADJ | | | CTC-SK100205 | 9.72 |
| | 3927374 | | TRK ADJ | | | CTC-SK100205 | 9.72 |
| BG81-UP | | | | | | | |
| | 4220865 | | TRK ADJ | | | CTC-SK100206 | 10.75 |
| | 4220866 | | TRK ADJ | | | CTC-SK100206 | 10.75 |
| | 4691395 | | TRK ADJ | | | CTC-SK100206 | 10.75 |
| | 4691396 | | TRK ADJ | | | CTC-SK100206 | 10.75 |
| MODEL 304E | | | | | | | |
| BLADE | | | | | | | |
| SSC1-UP; TSR1-UP; TTN1-UP | | | | | | | |
| | 2666979 | | P-U-10 | 45 mm | 80 mm | CTC-2788641 | 100.77 |
| | 2666979 | | Bushing | 45 mm | | CTC-2378377 | 21.38 |
| TTN1-UP | | | | | | | |
| | 2866384 | | P-U-10 | 35 mm | 65 mm | CTC-2839122 | 58.75 |
| | 2866384 | | Bushing | 35 mm | | CTC-2032343 | 11.32 |
| BOOM | | | | | | | |
| SSC1-UP; TTN1-UP | | | | | | | |
| | 2843369 | | P-U-10 | 50 mm | 85 mm | CTC-2812321 | 104.10 |
| | 2843369 | | Bushing | 50 mm | | CTC-3111031 | 21.65 |
| TSR1-UP | | | | | | | |
| | 2737031 | | P-U-10 | 50 mm | 85 mm | CTC-2812321 | 104.10 |
| | 2737031 | | Bushing | 50 mm | | CTC-3111031 | 21.65 |
| BUCKET | | | | | | | |
| SSC1-UP; TTN1-UP | | | | | | | |
| | 2779900 | | P-U-10 | 45 mm | 75 mm | CTC-2812322 | 95.84 |
| | 2779900 | | Bushing | 45 mm | | CTC-2378377 | 21.38 |
| TSR1-UP | | | | | | | |
| | 2779901 | | P-U-10 | 45 mm | 75 mm | CTC-2812322 | 95.84 |
| | 2779901 | | Bushing | 45 mm | | CTC-2378377 | 21.38 |

REPLACEMENT KITS FOR CATERPILLAR® EQUIPMENT

| Excavators - Compact | | | | | | | |
|-----------------------------|---------|--------------------------------|-----------|-------|-------|--------------|--------|
| APPLICATION | CYL # | Misc-Parts, Instructions, etc. | CODE | ROD | BORE | KIT # | |
| MODEL 304E | | | | | | | |
| QUICK COUPLER | | | | | | | |
| TTN1-UP | | | | | | | |
| | 3611125 | | I-U-11 | 3/4 | 1 1/4 | CTC-3611078 | 197.82 |
| | 5674570 | | I-U-10 | 3/4 | 1-1/4 | CTC-4855282 | 239.35 |
| STICK | | | | | | | |
| SSC1-UP; TTN1-UP | | | | | | | |
| | 2840883 | | P-U-10 | 50 mm | 80 mm | CTC-2812323 | 103.73 |
| | 2840883 | | Bushing | 50 mm | | CTC-3111031 | 21.65 |
| TSR1-UP | | | | | | | |
| | 2737032 | | P-U-10 | 50 mm | 80 mm | CTC-2812323 | 103.73 |
| | 2737032 | | Bushing | 50 mm | | CTC-3111031 | 21.65 |
| SWING BOOM | | | | | | | |
| SSC1-UP, TSR1-UP, TTN1-UP | | | | | | | |
| | 3760171 | | P-U-10 | 50 mm | 85 mm | CTC-2790639 | 118.56 |
| | 3760171 | | Bushing | 50 mm | | CTC-3111031 | 21.65 |
| THUMB | | | | | | | |
| TTN1-UP | | | | | | | |
| | 2688224 | | P-U-10 | 1 1/2 | 2 1/2 | CTC-2782257 | 64.23 |
| | 2688224 | | Bushing | 1-1/2 | | CTC-2782248 | 17.55 |
| TILT | | | | | | | |
| TTN1-UP | | | | | | | |
| | 2460192 | | P-UB-10 | 1-1/2 | 3 | CTC-2350354 | 47.14 |
| TRACK ADJUSTER | | | | | | | |
| SSC1-UP, TSR1-UP, TTN324-UP | | | | | | | |
| | 3927373 | | TRK ADJ | | | CTC-SK100205 | 9.72 |
| | 3927374 | | TRK ADJ | | | CTC-SK100205 | 9.72 |
| TTN1-323 | | | | | | | |
| | 2674827 | | TRK ADJ | | | CTC-SK100205 | 9.72 |
| | 2674828 | | TRK ADJ | | | CTC-SK100205 | 9.72 |
| MODEL 304E2 | | | | | | | |
| BLADE | | | | | | | |
| ME41-2921 | | | | | | | |
| | 3976963 | | P-U-10 | 45 mm | 80 mm | CTC-4690717 | 201.49 |
| ME41-UP | | | | | | | |
| | 3976961 | | P-U-10 | 35 mm | 65 mm | CTC-4690723 | 160.67 |
| ME42910-UP | | | | | | | |
| | 4874410 | | P-U-10 | 40 mm | 80 mm | CTC-5078289 | 186.70 |
| BOOM | | | | | | | |
| ME41-1254 | | | | | | | |
| | 3976972 | | P-U-10 | 50 mm | 85 mm | CTC-4690697 | 246.88 |
| ME41255-UP | | | | | | | |
| | 4787046 | | P-U-10 | 50 mm | 85 mm | CTC-4828678 | 131.99 |
| ME41-UP | | | | | | | |
| | 4787045 | | P-U-10 | 50 mm | 85 mm | CTC-4787051 | 229.80 |
| BUCKET | | | | | | | |
| ME41-UP | | | | | | | |
| | 3976979 | | P-U-10 | 45 mm | 75 mm | CTC-4690711 | 224.92 |
| QUICK COUPLER | | | | | | | |
| ME41-UP | | | | | | | |
| | 3611125 | | I-U-11 | 3/4 | 1 1/4 | CTC-3611078 | 197.82 |
| | 4855287 | | Valve Kit | | | CTC-4999314 | 71.30 |
| | 5674570 | | I-U-10 | 3/4 | 1-1/4 | CTC-4855282 | 239.35 |
| STICK | | | | | | | |
| ME41-UP | | | | | | | |
| | 3976984 | | P-U-10 | 50 mm | 80 mm | CTC-4690704 | 220.56 |

REPLACEMENT KITS FOR CATERPILLAR® EQUIPMENT

| Excavators - Compact | | | | | | | |
|------------------------------------|---------|--------------------------------|---------|-------|-------|--------------|--------|
| APPLICATION | CYL # | Misc-Parts, Instructions, etc. | CODE | ROD | BORE | KIT # | |
| MODEL 304E2 | | | | | | | |
| SWING BOOM | | | | | | | |
| ME41-UP | | | | | | | |
| | 3976975 | | P-U-10 | 50 mm | 85 mm | CTC-4690729 | 231.29 |
| THUMB | | | | | | | |
| ME41-UP | | | | | | | |
| | 2688224 | | P-U-10 | 1 1/2 | 2 1/2 | CTC-2782257 | 64.23 |
| | 2688224 | | Bushing | 1-1/2 | | CTC-2782248 | 17.55 |
| TRACK ADJUSTER | | | | | | | |
| ME41-UP | | | | | | | |
| | 4220865 | | TRK ADJ | | | CTC-SK100206 | 10.75 |
| | 4220866 | | TRK ADJ | | | CTC-SK100206 | 10.75 |
| | 4691395 | | TRK ADJ | | | CTC-SK100206 | 10.75 |
| | 4691396 | | TRK ADJ | | | CTC-SK100206 | 10.75 |
| MODEL 304E2 CR | | | | | | | |
| BLADE | | | | | | | |
| CJ21-UP | | | | | | | |
| | 3976961 | | P-U-10 | 35 mm | 65 mm | CTC-4690723 | 160.67 |
| | 3976963 | | P-U-10 | 45 mm | 80 mm | CTC-4690717 | 201.49 |
| FC21-UP, GC51-UP, HC51-UP, KC41-UP | | | | | | | |
| | 2666979 | | P-U-10 | 45 mm | 80 mm | CTC-2788641 | 100.77 |
| | 2666979 | | Bushing | 45 mm | | CTC-2378377 | 21.38 |
| BOOM | | | | | | | |
| CJ21-UP | | | | | | | |
| | 3976968 | | P-U-10 | 50 mm | 85 mm | CTC-4690697 | 246.88 |
| | 3976972 | | P-U-10 | 50 mm | 85 mm | CTC-4690697 | 246.88 |
| | 4787045 | | P-U-10 | 50 mm | 85 mm | CTC-4787051 | 229.80 |
| | 4787046 | | P-U-10 | 50 mm | 85 mm | CTC-4828678 | 131.99 |
| FC21-117, GC51-UP | | | | | | | |
| | 2843369 | | P-U-10 | 50 mm | 85 mm | CTC-2812321 | 104.10 |
| | 2843369 | | Bushing | 50 mm | | CTC-3111031 | 21.65 |
| FC2118-UP, GC51-UP | | | | | | | |
| | 5023494 | | P-U-10 | 50 mm | 85 mm | CTC-2812321 | 104.10 |
| | 5023494 | | Bushing | 50 mm | | CTC-3111031 | 21.65 |
| HC51-UP, KC41-UP | | | | | | | |
| | 2737031 | | P-U-10 | 50 mm | 85 mm | CTC-2812321 | 104.10 |
| | 2737031 | | Bushing | 50 mm | | CTC-3111031 | 21.65 |
| BUCKET | | | | | | | |
| CJ21-UP | | | | | | | |
| | 3976979 | | P-U-10 | 45 mm | 75 mm | CTC-4690711 | 224.92 |
| FC21-UP, GC51-UP, HC51-UP, KC41-UP | | | | | | | |
| | 2779900 | | P-U-10 | 45 mm | 75 mm | CTC-2812322 | 95.84 |
| | 2779900 | | Bushing | 45 mm | | CTC-2378377 | 21.38 |
| QUICK COUPLER | | | | | | | |
| CJ21-UP | | | | | | | |
| | 3611125 | | I-U-11 | 3/4 | 1 1/4 | CTC-3611078 | 197.82 |
| | 5674570 | | I-U-10 | 3/4 | 1-1/4 | CTC-4855282 | 239.35 |
| FC21-UP | | | | | | | |
| | 3611125 | | I-U-11 | 3/4 | 1 1/4 | CTC-3611078 | 197.82 |
| | 5674570 | | I-U-10 | 3/4 | 1-1/4 | CTC-4855282 | 239.35 |
| FC21-UP, KC41-UP | | | | | | | |
| | 4855287 | | I-U-10 | 3/4 | 1-1/4 | CTC-4855282 | 239.35 |
| STICK | | | | | | | |
| CJ21-UP | | | | | | | |
| | 3976984 | | P-U-10 | 50 mm | 80 mm | CTC-4690704 | 220.56 |

REPLACEMENT KITS FOR CATERPILLAR® EQUIPMENT

| Excavators - Compact | | | | | | | |
|------------------------------------|-------|--------------------------------|---------|-------|--------|--------------|--------|
| APPLICATION | CYL # | Misc-Parts, Instructions, etc. | CODE | ROD | BORE | KIT # | |
| MODEL 304E2 CR | | | | | | | |
| STICK | | | | | | | |
| FC21-UP, GC51-UP | | | | | | | |
| 2840883 | | | P-U-10 | 50 mm | 80 mm | CTC-2812323 | 103.73 |
| 2840883 | | | Bushing | 50 mm | | CTC-3111031 | 21.65 |
| HC51-UP, KC41-UP | | | | | | | |
| 2737032 | | | P-U-10 | 50 mm | 80 mm | CTC-2812323 | 103.73 |
| 2737032 | | | Bushing | 50 mm | | CTC-3111031 | 21.65 |
| SWING BOOM | | | | | | | |
| CJ21-UP | | | | | | | |
| 3976975 | | | P-U-10 | 50 mm | 85 mm | CTC-4690729 | 231.29 |
| FC21-UP, GC51-UP, HC51-UP, KC41-UP | | | | | | | |
| 3760171 | | | P-U-10 | 50 mm | 85 mm | CTC-2790639 | 118.56 |
| 3760171 | | | Bushing | 50 mm | | CTC-3111031 | 21.65 |
| THUMB | | | | | | | |
| CJ21-UP | | | | | | | |
| 2688224 | | | P-U-10 | 1 1/2 | 2 1/2 | CTC-2782257 | 64.23 |
| TILT | | | | | | | |
| CJ21-UP | | | | | | | |
| 2460192 | | | P-UB-10 | 1-1/2 | 3 | CTC-2350354 | 47.14 |
| TRACK ADJUSTER | | | | | | | |
| CJ21-UP | | | | | | | |
| 4220865 | | | TRK ADJ | | | CTC-SK100206 | 10.75 |
| 4220866 | | | TRK ADJ | | | CTC-SK100206 | 10.75 |
| 4691395 | | | TRK ADJ | | | CTC-SK100206 | 10.75 |
| 4691396 | | | TRK ADJ | | | CTC-SK100206 | 10.75 |
| FC21-UP, GC51-UP, HC51-UP, KC41-UP | | | | | | | |
| 3927373 | | | TRK ADJ | | | CTC-SK100205 | 9.72 |
| 3927374 | | | TRK ADJ | | | CTC-SK100205 | 9.72 |
| MODEL 305.5E | | | | | | | |
| BLADE | | | | | | | |
| FSC1-UP | | | | | | | |
| 2937158 | | | P-U-10 | 55 mm | 90 mm | CTC-4308918 | 166.46 |
| MX51-UP | | | | | | | |
| 3882913 | | | I-UB-1 | 60 mm | | CTC-3924561 | 148.28 |
| YGB1-UP | | | | | | | |
| 2937158 | | | P-U-10 | 55 mm | 90 mm | CTC-4308918 | 166.46 |
| BLADE ANGLE | | | | | | | |
| FKY1-UP | | | | | | | |
| 3891815 | | | P-U-10 | 35 mm | 65 mm | CTC-2839122 | 58.75 |
| BLADE LIFT | | | | | | | |
| FKY1-UP | | | | | | | |
| 2937158 | | | P-U-10 | 55 mm | 90 mm | CTC-4308918 | 166.46 |
| BOOM | | | | | | | |
| FKY1-UP | | | | | | | |
| 2821535 | | | P-U-10 | 55 mm | 100 mm | CTC-4307589 | 125.73 |
| 3712449 | | | P-UB-14 | 55 mm | 95 mm | CTC-2773395 | 132.95 |
| 3885292 | | | P-U-10 | 55 mm | 100 mm | CTC-SK100181 | 102.60 |
| FSC1-UP | | | | | | | |
| 3106213 | | | P-U-10 | 55 mm | 100 mm | CTC-SK100184 | 102.60 |
| MX51-UP | | | | | | | |
| 4252913 | | | P-UB-1 | 55 mm | | CTC-3750731 | 154.54 |
| YGB1-UP | | | | | | | |
| 2821536 | | | P-U-10 | 55 mm | 100 mm | CTC-SK100185 | 102.60 |
| BUCKET | | | | | | | |
| FKY1-UP | | | | | | | |
| 2666967 | | | P-U-10 | 50 mm | 80 mm | CTC-4308744 | 116.80 |

CATERPILLAR®

REPLACEMENT KITS FOR CATERPILLAR® EQUIPMENT

| Excavators - Compact | | | | | | | |
|----------------------|-------|--------------------------------|-------------|-------|--------|--------------|--------|
| APPLICATION | CYL # | Misc-Parts, Instructions, etc. | CODE | ROD | BORE | KIT # | |
| MODEL 305.5E | | | | | | | |
| BUCKET | | | | | | | |
| FSC1-UP | | | | | | | |
| 2666968 | | | P-U-10 | 50 mm | 80 mm | CTC-SK100182 | 97.54 |
| MX51-UP | | | | | | | |
| 4252914 | | | P-UB-1 | 40 mm | | CTC-4523459 | 59.91 |
| 4252914 | | | N-N-10 | | 70 mm | CTC-4523460 | 44.26 |
| YGB1-UP | | | | | | | |
| 2666968 | | | P-U-10 | 50 mm | 80 mm | CTC-SK100182 | 97.54 |
| QUICK COUPLER | | | | | | | |
| FKY1-UP | | | | | | | |
| 3611077 | | | I-U-11 | 3/4 | 1 1/4 | CTC-3611078 | 197.82 |
| STICK | | | | | | | |
| FKY1-UP | | | | | | | |
| 2821537 | | | P-U-10 | 55 mm | 90 mm | CTC-4308918 | 166.46 |
| FSC1-UP | | | | | | | |
| 2737027 | | | P-U-10 | 55 mm | 90 mm | CTC-SK100183 | 91.64 |
| MX51500-UP | | | | | | | |
| 4550419 | | | P-UB-1 | 55 mm | | CTC-3750740 | 108.07 |
| MX51-UP | | | | | | | |
| 3638169 | | | P-UB-1 | 55 mm | | CTC-3750740 | 108.07 |
| YGB1-UP | | | | | | | |
| 2821538 | | | P-U-10 | 55 mm | 90 mm | CTC-SK100186 | 91.64 |
| SWING BOOM | | | | | | | |
| FKY1-UP | | | | | | | |
| 3769683 | | | P-U-10 | 55 mm | 90 mm | CTC-SK100180 | 79.46 |
| FSC1-UP | | | | | | | |
| 3769683 | | | P-U-10 | 55 mm | 90 mm | CTC-SK100180 | 79.46 |
| YGB1-UP | | | | | | | |
| 3769683 | | | P-U-10 | 55 mm | 90 mm | CTC-SK100180 | 79.46 |
| TILT | | | | | | | |
| FKY1-UP | | | | | | | |
| 2460192 | | | P-UB-10 | 1-1/2 | 3 | CTC-2350354 | 47.14 |
| MODEL 305.5E2 | | | | | | | |
| BLADE | | | | | | | |
| CR51-UP | | | | | | | |
| 3976962 | | | P-UB-1 | 40 mm | | CTC-4610859 | 118.81 |
| 3976962 | | | N-N-10 | | 70 mm | CTC-4610860 | 89.52 |
| 3976962 | | | Cushion Kit | | | CTC-4610861 | 4.80 |
| 3976965 | | | P-UB-1 | 55 mm | | CTC-4610668 | 158.50 |
| 3976965 | | | N-N-10 | | 90 mm | CTC-4610669 | 179.72 |
| WE21-136 | | | | | | | |
| 3882913 | | | I-UB-1 | 60 mm | | CTC-3924561 | 148.28 |
| 3882913 | | | N-N-10 | | 110 mm | CTC-3924562 | 104.22 |
| 3882913 | | | Cushion Kit | | | CTC-3924563 | 2.81 |
| WE2137-UP | | | | | | | |
| 4715687 | | | I-UB-1 | 60 mm | | CTC-3924561 | 148.28 |
| 4715687 | | | N-N-10 | | 110 mm | CTC-3924562 | 104.22 |
| 4715687 | | | Cushion Kit | | | CTC-3924563 | 2.81 |

REPLACEMENT KITS FOR CATERPILLAR® EQUIPMENT

| Excavators - Compact | | | | | | | |
|--------------------------|-------|--------------------------------|-------------|-------|--------|--------------|--------|
| APPLICATION | CYL # | Misc-Parts, Instructions, etc. | CODE | ROD | BORE | KIT # | |
| MODEL 305.5E2 | | | | | | | |
| BOOM | | | | | | | |
| CR51-UP | | | | | | | |
| 3976970 | | | P-UB-1 | 55 mm | | CTC-4610642 | 182.51 |
| 3976970 | | | N-N-10 | | 100 mm | CTC-4610643 | 102.97 |
| 3976970 | | | Cushion Kit | | | CTC-4610644 | 4.00 |
| 3976974 | | | P-UB-1 | 55 mm | | CTC-4610642 | 182.51 |
| 3976974 | | | N-N-10 | | 100 mm | CTC-4610643 | 102.97 |
| 3976974 | | | Cushion Kit | | | CTC-4610644 | 4.00 |
| 5127559 | | | P-UB-1 | 55 mm | | CTC-4610642 | 182.51 |
| 5127559 | | | N-N-10 | | 100 mm | CTC-4610643 | 102.97 |
| 5127559 | | | Cushion Kit | | | CTC-4610644 | 4.00 |
| 5127560 | | | P-UB-1 | 55 mm | | CTC-4610642 | 182.51 |
| 5127560 | | | N-N-10 | | 100 mm | CTC-4610643 | 102.97 |
| 5127560 | | | Cushion Kit | | | CTC-4610644 | 4.00 |
| WE21-UP | | | | | | | |
| 4252913 | | | P-UB-1 | 55 mm | | CTC-3750731 | 154.54 |
| 4252913 | | | N-N-10 | | 100 mm | CTC-3750732 | 106.04 |
| BUCKET | | | | | | | |
| CR51-UP | | | | | | | |
| 3976981 | | | P-UB-1 | 50 mm | | CTC-4610680 | 206.19 |
| 3976981 | | | N-N-10 | | 80 mm | CTC-4610681 | 64.60 |
| 3976981 | | | Cushion Kit | | | CTC-4610682 | 5.66 |
| WE21-UP | | | | | | | |
| 4252914 | | | P-UB-1 | 40 mm | | CTC-4523459 | 59.91 |
| 4252914 | | | N-N-10 | | 70 mm | CTC-4523460 | 44.26 |
| 4252914 | | | Cushion Kit | | | CTC-4523461 | 11.17 |
| COUPLER | | | | | | | |
| CR51-UP | | | | | | | |
| 4556016 | | | I-U-11 | 3/4 | 1 1/4 | CTC-3611078 | 197.82 |
| QUICK COUPLER | | | | | | | |
| EJX1-UP | | | | | | | |
| 3611077 | | | I-U-11 | 3/4 | 1 1/4 | CTC-3611078 | 197.82 |
| STICK | | | | | | | |
| CR51-UP | | | | | | | |
| 3976986 | | | P-UB-1 | 55 mm | | CTC-4610668 | 158.50 |
| 3976986 | | | N-N-10 | | 90 mm | CTC-4610669 | 179.72 |
| WE21-UP | | | | | | | |
| 4550419 | | | P-UB-1 | 55 mm | | CTC-3750740 | 108.07 |
| SWING BOOM | | | | | | | |
| CR51-UP | | | | | | | |
| 3976976 | | | P-UB-1 | 55 mm | | CTC-4610668 | 158.50 |
| 3976976 | | | N-N-10 | | 90 mm | CTC-4610669 | 179.72 |
| THUMB | | | | | | | |
| CR51-UP | | | | | | | |
| 2688225 | | | P-U-10 | 1 3/4 | 3 | CTC-2782263 | 84.02 |
| 2688225 | | | Bushing | 1-3/4 | | CTC-2782262 | 15.74 |
| EJX1-UP | | | | | | | |
| 2688225 | | | P-U-10 | 1 3/4 | 3 | CTC-2782263 | 84.02 |
| TILT | | | | | | | |
| EJX1-UP | | | | | | | |
| 2460192 | | | P-UB-10 | 1-1/2 | 3 | CTC-2350354 | 47.14 |
| TRACK ADJUSTER LH | | | | | | | |
| CR51-UP | | | | | | | |
| 4691393 | | | TRK ADJ | | | CTC-SK100191 | 6.69 |
| 5239563 | | | TRK ADJ | | | CTC-SK100191 | 6.69 |

CATERPILLAR®

REPLACEMENT KITS FOR CATERPILLAR® EQUIPMENT

| Excavators - Compact | | | | | | | |
|------------------------------------|-------|--------------------------------|-------------|-------|--------|--------------|--------|
| APPLICATION | CYL # | Misc-Parts, Instructions, etc. | CODE | ROD | BORE | KIT # | |
| MODEL 305.5E2 | | | | | | | |
| TRACK ADJUSTER LH | | | | | | | |
| WE21-UP | | | | | | | |
| 3535580 | | | TRK ADJ | | | CTC-SK100193 | 18.48 |
| TRACK ADJUSTER RH | | | | | | | |
| CR51-UP | | | | | | | |
| 4691394 | | | TRK ADJ | | | CTC-SK100191 | 6.69 |
| 5239564 | | | TRK ADJ | | | CTC-SK100191 | 6.69 |
| WE21-UP | | | | | | | |
| 3535581 | | | TRK ADJ | | | CTC-SK100193 | 18.48 |
| MODEL 305.5E2 CR | | | | | | | |
| BLADE | | | | | | | |
| EJX1-UP | | | | | | | |
| 3976962 | | | P-UB-1 | 40 mm | | CTC-4610859 | 118.81 |
| 3976962 | | | N-N-10 | | 70 mm | CTC-4610860 | 89.52 |
| 3976962 | | | Cushion Kit | | | CTC-4610861 | 4.80 |
| 3976965 | | | P-UB-1 | 55 mm | | CTC-4610668 | 158.50 |
| 3976965 | | | N-N-10 | | 90 mm | CTC-4610669 | 179.72 |
| FR51-UP; HRX1-UP; NC51-UP; SHW1-UP | | | | | | | |
| 4610517 | | | P-U-10 | 55 mm | 90 mm | CTC-4812718 | 267.28 |
| 4610517 | | | Bushing | 55 mm | | CTC-4800652 | 23.67 |
| BOOM | | | | | | | |
| EJX1-UP | | | | | | | |
| 3976970 | | | P-UB-1 | 55 mm | | CTC-4610642 | 182.51 |
| 3976970 | | | N-N-10 | | 100 mm | CTC-4610643 | 102.97 |
| 3976970 | | | Cushion Kit | | | CTC-4610644 | 4.00 |
| 3976974 | | | P-UB-1 | 55 mm | | CTC-4610642 | 182.51 |
| 3976974 | | | N-N-10 | | 100 mm | CTC-4610643 | 102.97 |
| 3976974 | | | Cushion Kit | | | CTC-4610644 | 4.00 |
| 5127559 | | | P-UB-1 | 55 mm | | CTC-4610642 | 182.51 |
| 5127559 | | | N-N-10 | | 100 mm | CTC-4610643 | 102.97 |
| 5127559 | | | Cushion Kit | | | CTC-4610644 | 4.00 |
| 5127560 | | | P-UB-1 | 55 mm | | CTC-4610642 | 182.51 |
| 5127560 | | | N-N-10 | | 100 mm | CTC-4610643 | 102.97 |
| 5127560 | | | Cushion Kit | | | CTC-4610644 | 4.00 |
| BUCKET | | | | | | | |
| EJX1-UP | | | | | | | |
| 3976981 | | | P-UB-1 | 50 mm | | CTC-4610680 | 206.19 |
| 3976981 | | | N-N-10 | | 80 mm | CTC-4610681 | 64.60 |
| 3976981 | | | Cushion Kit | | | CTC-4610682 | 5.66 |
| FR51-UP; HRX1-UP; NC51-UP; SHW1-UP | | | | | | | |
| 4610516 | | | P-U-10 | 50 mm | 80 mm | CTC-4812720 | 103.21 |
| 4610516 | | | Bushing | 50 mm | | CTC-3111031 | 21.65 |
| COUPLER | | | | | | | |
| EJX1-UP | | | | | | | |
| 4556016 | | | I-U-11 | 3/4 | 1 1/4 | CTC-3611078 | 197.82 |
| EJX1-UP; SHW1-UP | | | | | | | |
| 3611077 | | | I-U-11 | 3/4 | 1 1/4 | CTC-3611078 | 197.82 |
| HRX1-UP; SHW1-UP | | | | | | | |
| 4855288 | | | I-U-10 | 3/4 | 1-1/4 | CTC-4855282 | 239.35 |
| 4855288 | | | Valve Kit | | | CTC-4999314 | 71.30 |
| STICK | | | | | | | |
| EJX1-UP | | | | | | | |
| 3976986 | | | P-UB-1 | 55 mm | | CTC-4610668 | 158.50 |
| 3976986 | | | N-N-10 | | 90 mm | CTC-4610669 | 179.72 |

REPLACEMENT KITS FOR CATERPILLAR® EQUIPMENT

| Excavators - Compact | | | | | | | |
|------------------------------------|-------|--------------------------------|---------|-------|-------|--------------|--------|
| APPLICATION | CYL # | Misc-Parts, Instructions, etc. | CODE | ROD | BORE | KIT # | |
| MODEL 305.5E2 CR | | | | | | | |
| STICK | | | | | | | |
| FR51-UP; HRX1-UP | | | | | | | |
| 4610521 | | | P-U-10 | 55 mm | 90 mm | CTC-4812718 | 267.28 |
| 4610521 | | | Bushing | 55 mm | | CTC-4800652 | 23.67 |
| NC51-UP; SHW1-UP | | | | | | | |
| 4610515 | | | P-U-10 | 55 mm | 90 mm | CTC-4812718 | 267.28 |
| 4610515 | | | Bushing | 55 mm | | CTC-4800652 | 23.67 |
| SWING BOOM | | | | | | | |
| EJX1-UP | | | | | | | |
| 3976976 | | | P-UB-1 | 55 mm | | CTC-4610668 | 158.50 |
| 3976976 | | | N-N-10 | | 90 mm | CTC-4610669 | 179.72 |
| THUMB | | | | | | | |
| EJX1-UP | | | | | | | |
| 2688225 | | | P-U-10 | 1 3/4 | 3 | CTC-2782263 | 84.02 |
| 2688225 | | | Bushing | 1-3/4 | | CTC-2782262 | 15.74 |
| TILT | | | | | | | |
| EJX1-UP | | | | | | | |
| 2460192 | | | P-UB-10 | 1-1/2 | 3 | CTC-2350354 | 47.14 |
| TRACK ADJUSTER LH | | | | | | | |
| EJX1-UP | | | | | | | |
| 4691393 | | | TRK ADJ | | | CTC-SK100191 | 6.69 |
| 5239563 | | | TRK ADJ | | | CTC-SK100191 | 6.69 |
| FR51-UP; HRX1-UP; NC51-UP; SHW1-UP | | | | | | | |
| 3771230 | | | TRK ADJ | | | CTC-SK100192 | 6.04 |
| TRACK ADJUSTER RH | | | | | | | |
| EJX1-UP | | | | | | | |
| 4691394 | | | TRK ADJ | | | CTC-SK100191 | 6.69 |
| 5239564 | | | TRK ADJ | | | CTC-SK100191 | 6.69 |
| FR51-UP; HRX1-UP; NC51-UP; SHW1-UP | | | | | | | |
| 3771239 | | | TRK ADJ | | | CTC-SK100192 | 6.04 |
| MODEL 305E | | | | | | | |
| BLADE | | | | | | | |
| WDL1-UP | | | | | | | |
| 3712452 | | | P-UB-10 | 50 mm | 85 mm | CTC-2774178 | 252.47 |
| XFA1-UP | | | | | | | |
| 3891815 | | | P-U-10 | 35 mm | 65 mm | CTC-2839122 | 58.75 |
| XSC1-UP | | | | | | | |
| 3712452 | | | P-UB-10 | 50 mm | 85 mm | CTC-2774178 | 252.47 |
| BLADE ANGLE | | | | | | | |
| XFA1-UP | | | | | | | |
| 3712452 | | | P-UB-10 | 50 mm | 85 mm | CTC-2774178 | 252.47 |
| BOOM | | | | | | | |
| XFA1-UP | | | | | | | |
| 3712449 | | | P-UB-14 | 55 mm | 95 mm | CTC-2773395 | 132.95 |
| 3885291 | | | P-UB-14 | 55 mm | 95 mm | CTC-2773395 | 132.95 |
| BUCKET | | | | | | | |
| WDL1-UP | | | | | | | |
| 3743179 | | | P-UB-14 | 45 mm | 75 mm | CTC-3944852 | 126.30 |
| XFA1-UP | | | | | | | |
| 3712451 | | | P-UB-14 | 45 mm | 75 mm | CTC-2774167 | 191.76 |
| XSC1-UP | | | | | | | |
| 3743179 | | | P-UB-14 | 45 mm | 75 mm | CTC-3944852 | 126.30 |
| QUICK COUPLER | | | | | | | |
| XFA1-UP | | | | | | | |
| 3611077 | | | I-U-11 | 3/4 | 1 1/4 | CTC-3611078 | 197.82 |

REPLACEMENT KITS FOR CATERPILLAR® EQUIPMENT

| Excavators - Compact | | | | | | | |
|----------------------|---------|--------------------------------|-------------|-------|--------|--------------|--------|
| APPLICATION | CYL # | Misc-Parts, Instructions, etc. | CODE | ROD | BORE | KIT # | |
| MODEL 305E | | | | | | | |
| STICK | | | | | | | |
| WDL1-UP | | | | | | | |
| | 3742031 | | P-UB-14 | 50 mm | 85 mm | CTC-3944846 | 223.27 |
| XFA1-UP | | | | | | | |
| | 3712450 | | P-UB-14 | 50 mm | 85 mm | CTC-2774140 | 112.12 |
| XSC1-UP | | | | | | | |
| | 3930821 | | P-UB-14 | 50 mm | 85 mm | CTC-3944848 | 133.15 |
| SWING BOOM | | | | | | | |
| WDL1-UP | | | | | | | |
| | 3769683 | | P-U-10 | 55 mm | 90 mm | CTC-SK100180 | 79.46 |
| XFA1-UP | | | | | | | |
| | 3769683 | | P-U-10 | 55 mm | 90 mm | CTC-SK100180 | 79.46 |
| XSC1-UP | | | | | | | |
| | 3769683 | | P-U-10 | 55 mm | 90 mm | CTC-SK100180 | 79.46 |
| THUMB | | | | | | | |
| XFA1-UP | | | | | | | |
| | 2688225 | | P-U-10 | 1 3/4 | 3 | CTC-2782263 | 84.02 |
| TILT | | | | | | | |
| XFA1-UP | | | | | | | |
| | 2460192 | | P-UB-10 | 1-1/2 | 3 | CTC-2350354 | 47.14 |
| MODEL 305E2 | | | | | | | |
| BLADE | | | | | | | |
| H5M1-UP | | | | | | | |
| | 3976962 | | P-UB-1 | 40 mm | | CTC-4610859 | 118.81 |
| | 3976962 | | N-N-10 | | 70 mm | CTC-4610860 | 89.52 |
| | 3976962 | | Cushion Kit | | | CTC-4610861 | 4.80 |
| | 3976965 | | P-UB-1 | 55 mm | | CTC-4610668 | 158.50 |
| | 3976965 | | N-N-10 | | 90 mm | CTC-4610669 | 179.72 |
| BOOM | | | | | | | |
| H5M1-UP | | | | | | | |
| | 3976970 | | P-UB-1 | 55 mm | | CTC-4610642 | 182.51 |
| | 3976970 | | N-N-10 | | 100 mm | CTC-4610643 | 102.97 |
| | 3976970 | | Cushion Kit | | | CTC-4610644 | 4.00 |
| | 3976974 | | P-UB-1 | 55 mm | | CTC-4610642 | 182.51 |
| | 3976974 | | N-N-10 | | 100 mm | CTC-4610643 | 102.97 |
| | 3976974 | | Cushion Kit | | | CTC-4610644 | 4.00 |
| | 5127559 | | P-UB-1 | 55 mm | | CTC-4610642 | 182.51 |
| | 5127559 | | N-N-10 | | 100 mm | CTC-4610643 | 102.97 |
| | 5127559 | | Cushion Kit | | | CTC-4610644 | 4.00 |
| | 5127560 | | P-UB-1 | 55 mm | | CTC-4610642 | 182.51 |
| | 5127560 | | N-N-10 | | 100 mm | CTC-4610643 | 102.97 |
| | 5127560 | | Cushion Kit | | | CTC-4610644 | 4.00 |
| BUCKET | | | | | | | |
| H5M1-UP | | | | | | | |
| | 3976980 | | P-UB-1 | 45 mm | | CTC-3750749 | 153.19 |
| | 3976980 | | N-N-10 | | 75 mm | CTC-3750750 | 67.54 |
| | 3976980 | | Cushion Kit | | | CTC-3750751 | 3.53 |
| QUICK COUPLER | | | | | | | |
| H5M1-UP | | | | | | | |
| | 4556016 | | I-U-11 | 3/4 | 1 1/4 | CTC-3611078 | 197.82 |
| STICK | | | | | | | |
| H5M1-UP | | | | | | | |
| | 3976985 | | P-UB-1 | 50 mm | | CTC-4610023 | 109.49 |
| | 3976985 | | N-N-10 | | 85 mm | CTC-4515100 | 39.76 |
| | 3976985 | | Cushion Kit | | | CTC-4610021 | 12.40 |

REPLACEMENT KITS FOR CATERPILLAR® EQUIPMENT

| Excavators - Compact | | | | | | | |
|------------------------------------|---------|--------------------------------|-------------|-------|--------|--------------|--------|
| APPLICATION | CYL # | Misc-Parts, Instructions, etc. | CODE | ROD | BORE | KIT # | |
| MODEL 305E2 | | | | | | | |
| SWING BOOM | | | | | | | |
| H5M1-UP | | | | | | | |
| | 3976976 | | P-UB-1 | 55 mm | | CTC-4610668 | 158.50 |
| | 3976976 | | N-N-10 | | 90 mm | CTC-4610669 | 179.72 |
| THUMB | | | | | | | |
| H5M1-UP | | | | | | | |
| | 2688225 | | P-U-10 | 1 3/4 | 3 | CTC-2782263 | 84.02 |
| | 2688225 | | Bushing | 1-3/4 | | CTC-2782262 | 15.74 |
| TRACK ADJUSTER | | | | | | | |
| H5M1-UP | | | | | | | |
| | 5239563 | | TRK ADJ | | | CTC-SK100191 | 6.69 |
| | 5239564 | | TRK ADJ | | | CTC-SK100191 | 6.69 |
| MODEL 305E2 CR | | | | | | | |
| BLADE | | | | | | | |
| BZ51-UP; DF51-UP; PYR1-UP; R5C1-UP | | | | | | | |
| | 4610517 | | P-U-10 | 55 mm | 90 mm | CTC-4812718 | 267.28 |
| | 4610517 | | Bushing | 55 mm | | CTC-4800652 | 23.67 |
| DJX1-UP | | | | | | | |
| | 3976962 | | P-UB-1 | 40 mm | | CTC-4610859 | 118.81 |
| | 3976962 | | N-N-10 | | 70 mm | CTC-4610860 | 89.52 |
| | 3976962 | | Cushion Kit | | | CTC-4610861 | 4.80 |
| | 3976965 | | P-UB-1 | 55 mm | | CTC-4610668 | 158.50 |
| | 3976965 | | N-N-10 | | 90 mm | CTC-4610669 | 179.72 |
| BOOM | | | | | | | |
| BZ51-UP; PYR1-UP | | | | | | | |
| | 4610509 | | P-U-10 | 55 mm | 95 mm | CTC-4812715 | 284.40 |
| | 4610509 | | Bushing | 55 mm | | CTC-4800652 | 23.67 |
| | 5023496 | | P-U-10 | 55 mm | 95 mm | CTC-4812715 | 284.40 |
| | 5023496 | | Bushing | 55 mm | | CTC-4800652 | 23.67 |
| DF51-UP; R5C1-UP | | | | | | | |
| | 4610518 | | P-U-10 | 55 mm | 95 mm | CTC-4812715 | 284.40 |
| | 4610518 | | Bushing | 55 mm | | CTC-4800652 | 23.67 |
| DJX1-UP | | | | | | | |
| | 3976969 | | P-UB-1 | 55 mm | | CTC-4609933 | 220.88 |
| | 3976969 | | N-N-10 | | 95 mm | CTC-4609935 | 83.87 |
| | 3976969 | | Cushion Kit | | | CTC-4609936 | 4.42 |
| | 3976970 | | P-UB-1 | 55 mm | | CTC-4610642 | 182.51 |
| | 3976970 | | N-N-10 | | 100 mm | CTC-4610643 | 102.97 |
| | 3976970 | | Cushion Kit | | | CTC-4610644 | 4.00 |
| | 3976973 | | P-UB-1 | 55 mm | | CTC-4609933 | 220.88 |
| | 3976973 | | N-N-10 | | 95 mm | CTC-4609935 | 83.87 |
| | 3976973 | | Cushion Kit | | | CTC-4609936 | 4.42 |
| | 3976974 | | P-UB-1 | 55 mm | | CTC-4610642 | 182.51 |
| | 3976974 | | N-N-10 | | 100 mm | CTC-4610643 | 102.97 |
| | 3976974 | | Cushion Kit | | | CTC-4610644 | 4.00 |
| BUCKET | | | | | | | |
| BZ51-UP; DF51-UP; PYR1-UP; R5C1-UP | | | | | | | |
| | 4610511 | | P-U-10 | 45 mm | 75 mm | CTC-4812717 | 217.85 |
| | 4610511 | | Bushing | 45 mm | | CTC-3147387 | 21.38 |
| DJX1-UP | | | | | | | |
| | 3976980 | | P-UB-1 | 45 mm | | CTC-3750749 | 153.19 |
| | 3976980 | | N-N-10 | | 75 mm | CTC-3750750 | 67.54 |
| | 3976980 | | Cushion Kit | | | CTC-3750751 | 3.53 |
| BUCKET TILT | | | | | | | |
| DJX1-UP | | | | | | | |
| | 2460192 | | P-UB-10 | 1-1/2 | 3 | CTC-2350354 | 47.14 |

CATERPILLAR®

REPLACEMENT KITS FOR CATERPILLAR® EQUIPMENT

| Excavators - Compact | | | | | | | |
|------------------------------------|-------|--------------------------------|-------------|-------|--------|--------------|--------|
| APPLICATION | CYL # | Misc-Parts, Instructions, etc. | CODE | ROD | BORE | KIT # | |
| MODEL 305E2 CR | | | | | | | |
| QUICK COUPLER | | | | | | | |
| DJX1-UP | | | | | | | |
| 4556016 | | | I-U-11 | 3/4 | 1 1/4 | CTC-3611078 | 197.82 |
| DJX1-UP; PYR1-UP | | | | | | | |
| 3611077 | | | I-U-11 | 3/4 | 1 1/4 | CTC-3611078 | 197.82 |
| PYR1-UP; R5C1-UP | | | | | | | |
| 4855288 | | | I-U-10 | 3/4 | 1-1/4 | CTC-4855282 | 239.35 |
| 4855288 | | | Valve Kit | | | CTC-4999314 | 71.30 |
| STICK | | | | | | | |
| BZ51-UP; PYR1-UP | | | | | | | |
| 4610510 | | | P-U-10 | 50 mm | 85 mm | CTC-4812716 | 300.39 |
| 4610510 | | | Bushing | 50 mm | | CTC-3111031 | 21.65 |
| DF51-UP; R5C1-UP | | | | | | | |
| 4610519 | | | P-U-10 | 50 mm | 85 mm | CTC-4812716 | 300.39 |
| 4610519 | | | Bushing | 50 mm | | CTC-3111031 | 21.65 |
| DJX1-UP | | | | | | | |
| 3976985 | | | P-UB-1 | 50 mm | | CTC-4610023 | 109.49 |
| 3976985 | | | N-N-10 | | 85 mm | CTC-4515100 | 39.76 |
| 3976985 | | | Cushion Kit | | | CTC-4610021 | 12.40 |
| SWING BOOM | | | | | | | |
| BZ51-UP; DF51-UP; PYR1-UP; R5C1-UP | | | | | | | |
| 4610512 | | | P-U-10 | 55 mm | 90 mm | CTC-4812718 | 267.28 |
| 4610512 | | | Bushing | 55 mm | | CTC-4800652 | 23.67 |
| DJX1-UP | | | | | | | |
| 3976976 | | | P-UB-1 | 55 mm | | CTC-4610668 | 158.50 |
| 3976976 | | | N-N-10 | | 90 mm | CTC-4610669 | 179.72 |
| THUMB | | | | | | | |
| DJX1-UP | | | | | | | |
| 2688225 | | | P-U-10 | 1 3/4 | 3 | CTC-2782263 | 84.02 |
| 2688225 | | | Bushing | 1-3/4 | | CTC-2782262 | 15.74 |
| TRACK ADJUSTER | | | | | | | |
| BZ51-UP; DF51-UP; PYR1-UP; R5C1-UP | | | | | | | |
| 3771230 | | | TRK ADJ | | | CTC-SK100192 | 6.04 |
| 3771239 | | | TRK ADJ | | | CTC-SK100192 | 6.04 |
| DJX1-UP | | | | | | | |
| 4155192 | | | TRK ADJ | | | CTC-SK100191 | 6.69 |
| 4155193 | | | TRK ADJ | | | CTC-SK100191 | 6.69 |
| 4691393 | | | TRK ADJ | | | CTC-SK100191 | 6.69 |
| 4691394 | | | TRK ADJ | | | CTC-SK100191 | 6.69 |
| 5239563 | | | TRK ADJ | | | CTC-SK100191 | 6.69 |
| 5239564 | | | TRK ADJ | | | CTC-SK100191 | 6.69 |
| MODEL 308E | | | | | | | |
| BLADE | | | | | | | |
| GBJ1-UP | | | | | | | |
| 3760176 | | | P-UB-14 | 80 mm | 120 mm | CTC-3825845 | 218.75 |
| TAZ1-UP | | | | | | | |
| 3741857 | | | I-UB-1 | 80 mm | | CTC-4185330 | 263.66 |
| BOOM | | | | | | | |
| GBJ1-UP | | | | | | | |
| 3884093 | | | P-UB-10 | 70 mm | 110 mm | CTC-3914638 | 177.50 |
| GBJ221-UP | | | | | | | |
| 3760172 | | | P-UB-10 | 70 mm | 110 mm | CTC-3825775 | 239.52 |
| 4417702 | | | P-UB-10 | 70 mm | 110 mm | CTC-SK100189 | 230.35 |

REPLACEMENT KITS FOR CATERPILLAR® EQUIPMENT

| Excavators - Compact | | | | | | | |
|-----------------------|---------|--------------------------------|---------|-------|--------|--------------|--------|
| APPLICATION | CYL # | Misc-Parts, Instructions, etc. | CODE | ROD | BORE | KIT # | |
| MODEL 308E | | | | | | | |
| BUCKET | | | | | | | |
| GBJ1-UP | | | | | | | |
| | 3760174 | | P-UB-10 | 55 mm | 85 mm | CTC-3825827 | 152.39 |
| | 4417706 | | P-UB-10 | 55 mm | 85 mm | CTC-SK100188 | 119.07 |
| COUPLER | | | | | | | |
| GBJ1-UP | | | | | | | |
| | 4555975 | | I-U-15 | 3/4 | 1-1/4 | CTC-3611131 | 56.90 |
| STICK | | | | | | | |
| GBJ1-UP | | | | | | | |
| | 3760173 | | P-UB-10 | 60 mm | 95 mm | CTC-3825802 | 167.19 |
| | 3884094 | | P-UB-10 | 60 mm | 95 mm | CTC-3825822 | 174.11 |
| SWING BOOM | | | | | | | |
| GBJ1-UP | | | | | | | |
| | 3760175 | | P-UB-10 | 65 mm | 110 mm | CTC-3825860 | 183.46 |
| THUMB | | | | | | | |
| GBJ1-UP | | | | | | | |
| | 3056717 | | I-U-10 | 50 mm | 70 mm | CTC-2764172 | 64.44 |
| MODEL 308E CR | | | | | | | |
| BLADE | | | | | | | |
| HAM1-UP | | | | | | | |
| | 3760176 | | P-UB-14 | 80 mm | 120 mm | CTC-3825845 | 218.75 |
| HEL1-UP | | | | | | | |
| | 3760176 | | P-UB-14 | 80 mm | 120 mm | CTC-3825845 | 218.75 |
| BOOM | | | | | | | |
| HAM1-UP | | | | | | | |
| | 3927693 | | P-UB-10 | 70 mm | 110 mm | CTC-4286802 | 183.38 |
| HEL1-UP | | | | | | | |
| | 3927692 | | P-UB-10 | 70 mm | 110 mm | CTC-3825775 | 239.52 |
| | 4417727 | | P-UB-10 | 70 mm | 110 mm | CTC-SK100189 | 230.35 |
| BUCKET | | | | | | | |
| HAM1-UP | | | | | | | |
| | 3760174 | | P-UB-10 | 55 mm | 85 mm | CTC-3825827 | 152.39 |
| HEL1-UP | | | | | | | |
| | 3760174 | | P-UB-10 | 55 mm | 85 mm | CTC-3825827 | 152.39 |
| | 4417706 | | P-UB-10 | 55 mm | 85 mm | CTC-SK100188 | 119.07 |
| STICK | | | | | | | |
| HAM1-UP | | | | | | | |
| | 3384094 | | P-UB-10 | 60 mm | 95 mm | CTC-3825822 | 174.11 |
| HEL1-UP | | | | | | | |
| | 3760173 | | P-UB-10 | 60 mm | 95 mm | CTC-3825802 | 167.19 |
| MODEL 308E2 CR | | | | | | | |
| BLADE | | | | | | | |
| EC21-UP | | | | | | | |
| | 3760176 | | P-UB-14 | 80 mm | 120 mm | CTC-3825845 | 218.75 |
| FJX1-UP | | | | | | | |
| | 3760176 | | P-UB-14 | 80 mm | 120 mm | CTC-3825845 | 218.75 |
| MY21-UP | | | | | | | |
| | 3760176 | | P-UB-14 | 80 mm | 120 mm | CTC-3825845 | 218.75 |
| TMX1-UP | | | | | | | |
| | 3760176 | | P-UB-14 | 80 mm | 120 mm | CTC-3825845 | 218.75 |
| BOOM | | | | | | | |
| EC21-UP | | | | | | | |
| | 4417729 | | P-UB-10 | 70 mm | 110 mm | CTC-SK100189 | 230.35 |
| | 4417735 | | P-UB-10 | 70 mm | 110 mm | CTC-4567244 | 362.70 |

REPLACEMENT KITS FOR CATERPILLAR® EQUIPMENT

| Excavators - Compact | | | | | | | |
|-----------------------|-------|--------------------------------|---------|-------|--------|--------------|--------|
| APPLICATION | CYL # | Misc-Parts, Instructions, etc. | CODE | ROD | BORE | KIT # | |
| MODEL 308E2 CR | | | | | | | |
| BOOM | | | | | | | |
| FJX1-UP | | | | | | | |
| 3760172 | | | P-UB-10 | 70 mm | 110 mm | CTC-3825775 | 239.52 |
| 4215336 | | | P-UB-10 | 70 mm | 110 mm | CTC-4215355 | 239.52 |
| 4417702 | | | P-UB-10 | 70 mm | 110 mm | CTC-SK100189 | 230.35 |
| MY21-UP | | | | | | | |
| 3927692 | | | P-UB-10 | 70 mm | 110 mm | CTC-3825775 | 239.52 |
| 4417727 | | | P-UB-10 | 70 mm | 110 mm | CTC-SK100189 | 230.35 |
| TMX1-UP | | | | | | | |
| 3760172 | | | P-UB-10 | 70 mm | 110 mm | CTC-3825775 | 239.52 |
| 4350781 | | | P-UB-10 | 70 mm | 110 mm | CTC-4215355 | 239.52 |
| 4417702 | | | P-UB-10 | 70 mm | 110 mm | CTC-SK100189 | 230.35 |
| BUCKET | | | | | | | |
| EC21-UP | | | | | | | |
| 3760174 | | | P-UB-10 | 55 mm | 85 mm | CTC-3825827 | 152.39 |
| 4417706 | | | P-UB-10 | 55 mm | 85 mm | CTC-SK100188 | 119.07 |
| FJX1-UP | | | | | | | |
| 3760174 | | | P-UB-10 | 55 mm | 85 mm | CTC-3825827 | 152.39 |
| 4417706 | | | P-UB-10 | 55 mm | 85 mm | CTC-SK100188 | 119.07 |
| MY21-UP | | | | | | | |
| 3760174 | | | P-UB-10 | 55 mm | 85 mm | CTC-3825827 | 152.39 |
| 4417706 | | | P-UB-10 | 55 mm | 85 mm | CTC-SK100188 | 119.07 |
| TMX1-UP | | | | | | | |
| 3760174 | | | P-UB-10 | 55 mm | 85 mm | CTC-3825827 | 152.39 |
| 4417706 | | | P-UB-10 | 55 mm | 85 mm | CTC-SK100188 | 119.07 |
| COUPLER | | | | | | | |
| FJX1-UP | | | | | | | |
| 3611139 | | | I-U-15 | 3/4 | 1-1/4 | CTC-3611131 | 56.90 |
| 4555975 | | | I-U-15 | 3/4 | 1-1/4 | CTC-3611131 | 56.90 |
| TMX1-UP | | | | | | | |
| 4555975 | | | I-U-15 | 3/4 | 1-1/4 | CTC-3611131 | 56.90 |
| STICK | | | | | | | |
| EC21-UP | | | | | | | |
| 4417711 | | | P-UB-10 | 60 mm | 95 mm | CTC-SK100190 | 140.06 |
| FJX1-UP | | | | | | | |
| 3760173 | | | P-UB-10 | 60 mm | 95 mm | CTC-3825802 | 167.19 |
| 4215337 | | | P-UB-10 | 60 mm | 95 mm | CTC-4220706 | 174.11 |
| MY21-UP | | | | | | | |
| 3760173 | | | P-UB-10 | 60 mm | 95 mm | CTC-3825802 | 167.19 |
| TMX1-UP | | | | | | | |
| 3760173 | | | P-UB-10 | 60 mm | 95 mm | CTC-3825802 | 167.19 |
| 4215337 | | | P-UB-10 | 60 mm | 95 mm | CTC-4220706 | 174.11 |
| SWING BOOM | | | | | | | |
| FJX1-UP | | | | | | | |
| 3760175 | | | P-UB-10 | 65 mm | 110 mm | CTC-3825860 | 183.46 |
| TMX1-UP | | | | | | | |
| 3760175 | | | P-UB-10 | 65 mm | 110 mm | CTC-3825860 | 183.46 |
| THUMB | | | | | | | |
| FJX1-UP | | | | | | | |
| 3053717 | | | I-U-10 | 50 mm | 70 mm | CTC-2764172 | 64.44 |
| 3056716 | | | I-U-10 | 50 mm | 70 mm | CTC-2764172 | 64.44 |
| TMX1-UP | | | | | | | |
| 3056716 | | | I-U-10 | 50 mm | 70 mm | CTC-2764172 | 64.44 |
| 3056717 | | | I-U-10 | 50 mm | 70 mm | CTC-2764172 | 64.44 |

REPLACEMENT KITS FOR CATERPILLAR® EQUIPMENT

| Excavators - Front-Shovel | | | | | | | |
|---------------------------|---------|--------------------------------|---------|--------|--------|-------------|---------|
| APPLICATION | CYL # | Misc-Parts, Instructions, etc. | CODE | ROD | BORE | KIT # | |
| MODEL 5080 | | | | | | | |
| BOOM | | | | | | | |
| | 4I3915 | | P-UB-10 | 130 mm | 180 mm | CTC-0875407 | 546.07 |
| STICK | | | | | | | |
| | 6E4272 | | P-UB-10 | 150 mm | 220 mm | CTC-1560627 | 800.19 |
| MODEL 5110 | | | | | | | |
| BUCKET | | | | | | | |
| | 6E0020 | | P-UB-10 | 150 mm | 220 mm | CTC-1560627 | 800.19 |
| MODEL 5230, 5230B | | | | | | | |
| BUCKET | | | | | | | |
| | 6E6435 | | P-UB-10 | 3-1/2 | 7-1/4 | CTC-1309483 | 388.58 |
| Excavators - Wheel | | | | | | | |
| APPLICATION | CYL # | Misc-Parts, Instructions, etc. | CODE | ROD | BORE | KIT # | List \$ |
| MODEL M315 | | | | | | | |
| BOOM | | | | | | | |
| | 1134979 | | P-UB-10 | 80 mm | 110 mm | CTC-1247009 | 304.71 |
| | 1134989 | | P-UB-10 | 80 mm | 110 mm | CTC-1247009 | 304.71 |
| STICK | | | | | | | |
| | 1141872 | | P-UB-10 | 80 mm | 110 mm | CTC-1247009 | 304.71 |
| | 1586388 | | P-UB-10 | 75 mm | 110 mm | CTC-1586389 | 287.62 |
| MODEL M316 | | | | | | | |
| BLADE | | | | | | | |
| | | | I-U-10 | 60 mm | 100 mm | CTC-1183135 | 128.68 |
| BOOM | | | | | | | |
| | | | I-U-15 | 60 mm | 110 mm | CTC-1558421 | 100.70 |
| | | | P-UB-10 | 75 mm | 140 mm | CTC-2605319 | 434.99 |
| COUPLER | | | | | | | |
| | | | I-U-5 | 40 mm | 60 mm | CTC-2027897 | 56.71 |
| STABILIZER | | | | | | | |
| | | | P-U-10 | 70 mm | 130 mm | CTC-2000920 | 205.39 |
| STICK | | | | | | | |
| | | | P-UB-10 | 80 mm | 120 mm | CTC-2605316 | 158.32 |
| MODEL M318 | | | | | | | |
| BOOM | | | | | | | |
| | 1112034 | | I-U-10 | 60 mm | 100 mm | CTC-1183135 | 128.68 |
| | 1124231 | | P-UB-10 | 85 mm | 120 mm | CTC-1247008 | 215.65 |
| | 1124241 | | P-UB-10 | 85 mm | 120 mm | CTC-1247008 | 215.65 |
| | 1124243 | | P-UB-10 | 85 mm | 160 mm | CTC-1247005 | 276.82 |
| BUCKET | | | | | | | |
| | 1124245 | | P-UB-10 | 80 mm | 110 mm | CTC-1247007 | 357.57 |
| MATERIAL HANDLER | | | | | | | |
| | 1415981 | | P-UB-10 | 80 mm | 110 mm | CTC-1247009 | 304.71 |
| STICK | | | | | | | |
| | 1124236 | | P-UB-10 | 85 mm | 120 mm | CTC-1247008 | 215.65 |
| MODEL M320 | | | | | | | |
| BOOM | | | | | | | |
| | 1279243 | | P-UB-10 | 100 mm | 170 mm | CTC-1296156 | 264.56 |
| | 1283203 | | P-UB-10 | 95 mm | 130 mm | CTC-7Y5147 | 409.95 |
| BUCKET | | | | | | | |
| | 0875633 | | P-UB-10 | 85 mm | 120 mm | CTC-0875394 | 354.94 |
| | 0875633 | | P-UB-10 | 85 mm | 120 mm | CTC-1184131 | 342.72 |
| STICK | | | | | | | |
| | 1279242 | | P-UB-10 | 100 mm | 140 mm | CTC-0875387 | 468.63 |
| | 1386696 | | P-UB-10 | 85 mm | 120 mm | CTC-1184131 | 342.72 |

REPLACEMENT KITS FOR CATERPILLAR® EQUIPMENT

| Forestry - Excavators | | | | | | | |
|---|---------|--------------------------------|-----------|--------|--------|--------------|--------|
| APPLICATION | CYL # | Misc-Parts, Instructions, etc. | CODE | ROD | BORE | KIT # | |
| MODEL 568 FM LL | | | | | | | |
| BOOM | | | | | | | |
| BRB1-UP | | | | | | | |
| | | | P-UB-10 | 110 mm | 170 mm | CTC-2959894 | 565.10 |
| | | | Bushing | 110 mm | | CTC-1140761 | 114.55 |
| YJX1-UP | | | | | | | |
| | | | P-UB-10 | 105 mm | 150 mm | CTC-3249485 | 257.86 |
| | | | Bushing | 105 mm | | CTC-1140760 | 72.04 |
| BUCKET | | | | | | | |
| BRB1-UP | | | | | | | |
| | | | P-UB-10 | 110 mm | 160 mm | CTC-2344674 | 302.76 |
| | | | P-UB-10 | 105 mm | 150 mm | CTC-3087824 | 295.61 |
| | | | Bushing | 105 mm | | CTC-1140760 | 72.04 |
| | | | Bushing | 110 mm | | CTC-1140762 | 107.24 |
| YJX1-UP | | | | | | | |
| | | | P-UB-10 | 105 mm | 150 mm | CTC-3249485 | 257.86 |
| | | | Bushing | 105 mm | | CTC-1140760 | 72.04 |
| CAB TILT | | | | | | | |
| BRB1-UP; YJX1-UP | | | | | | | |
| | | | P-UB-10 | 2-1/4 | 5 | CTC-2417578 | 87.32 |
| GRAPPLE | | | | | | | |
| BRB1-UP | | | | | | | |
| | | | P-UB-10 | 2-1/2 | 4 | CTC-2167858 | 143.37 |
| STICK | | | | | | | |
| BRB1-UP | | | | | | | |
| | | | P-UB-10 | 130 mm | 180 mm | CTC-SK100004 | 541.12 |
| YJX1-UP | | | | | | | |
| | | | P-UB-10 | 115 mm | 170 mm | CTC-3198295 | 317.36 |
| | | | Bushing | 115 mm | | CTC-1915644 | 102.23 |
| TRACK ADJUSTER | | | | | | | |
| BRB1-UP; YJX1-UP | | | | | | | |
| | | | TRACK ADJ | | | CTC-SK100014 | 116.94 |
| Forestry - Forwarders | | | | | | | |
| APPLICATION | CYL # | Misc-Parts, Instructions, etc. | CODE | ROD | BORE | KIT # | |
| MODEL 554 | | | | | | | |
| STEERING | | | | | | | |
| 1AM1-UP; TGH1-UP | | | | | | | |
| | 1602675 | | P-UB-10 | 2 | 3-1/2 | CTC-2281778 | 106.58 |
| MODEL 564 | | | | | | | |
| STEERING | | | | | | | |
| KBN1-UP | | | | | | | |
| | | | P-UB-10 | 2 | 3-1/2 | CTC-2281778 | 106.58 |
| MODEL 574 | | | | | | | |
| STEERING | | | | | | | |
| 1FM220-222; 1FM224-UP; CZZ1-UP; RLS1-UP | | | | | | | |
| | 1602675 | | P-UB-10 | 2 | 3-1/2 | CTC-2281778 | 106.58 |
| MODEL 574B | | | | | | | |
| STEERING | | | | | | | |
| 1FM220-222; 1FM224-UP; CZZ1-UP; RLS1-UP | | | | | | | |
| | 1602675 | | P-UB-10 | 2 | 3-1/2 | CTC-2281778 | 106.58 |
| Forestry - Industrial Tractors | | | | | | | |
| APPLICATION | CYL # | Misc-Parts, Instructions, etc. | CODE | ROD | BORE | KIT # | |
| MODEL TK371 | | | | | | | |
| LIFT | | | | | | | |
| WBG1-UP | | | | | | | |
| | | | P-UB-10 | 2-1/2 | 4 | CTC-SK100007 | 62.04 |

REPLACEMENT KITS FOR CATERPILLAR® EQUIPMENT

| Forestry - Industrial Tractors | | | | | | | |
|----------------------------------|---------------------|--------------------------------|------------|-------|--------|--------------|--------|
| APPLICATION | CYL # | Misc-Parts, Instructions, etc. | CODE | ROD | BORE | KIT # | |
| MODEL TK371 | | | | | | | |
| STEERING | | | | | | | |
| | WBG1-UP | | P-UB-10 | 1-3/4 | 3 | CTC-2275350 | 45.88 |
| TILT | | | | | | | |
| | WBG1-UP | | P-UB-10,12 | 2-1/2 | 4 | CTC-SK100008 | 415.16 |
| MODEL TK381 | | | | | | | |
| LIFT | | | | | | | |
| | WBH1-UP | | P-UB-10 | 2-1/2 | 4 | CTC-SK100007 | 62.04 |
| STEERING | | | | | | | |
| | WBH1-UP | | P-UB-10 | 1-3/4 | 3 | CTC-2275350 | 45.88 |
| TILT | | | | | | | |
| | WBH1-UP | | P-UB-10,12 | 2-1/2 | 4 | CTC-SK100008 | 415.16 |
| Forestry - Knuckle Boom Loaders | | | | | | | |
| APPLICATION | CYL # | Misc-Parts, Instructions, etc. | CODE | ROD | BORE | KIT # | |
| MODEL 539 | | | | | | | |
| BOOM | | | | | | | |
| | 1PZ1-203 1747132 | | P-UB-10 | 4 | 6 | CTC-2460658 | 466.04 |
| STABILIZER | | | | | | | |
| | 1PZ1-203 1746063 | | P-UB-10 | 3-1/2 | 6 | CTC-SK100011 | 205.09 |
| STICK | | | | | | | |
| | 1PZ1-203 1747120 | | P-UB-10 | 4 | 6 | CTC-2460658 | 466.04 |
| Forestry - Track Feller Bunchers | | | | | | | |
| APPLICATION | CYL # | Misc-Parts, Instructions, etc. | CODE | ROD | BORE | KIT # | |
| MODEL 511 | | | | | | | |
| BOOM | | | | | | | |
| | 5111-UP | | P-UB-10 | 95 mm | 130 mm | CTC-1659419 | 310.12 |
| | | | Bushing | 95 mm | | CTC-1289260 | 56.30 |
| SAW TILT | | | | | | | |
| | 5111-UP 2545457 | | P-UB-10 | 95 mm | 130 mm | CTC-1659419 | 310.12 |
| | 2545457 | | Bushing | 95 mm | | CTC-1289260 | 56.30 |
| | 2747480 | | P-UB-10 | 90 mm | 130 mm | CTC-3446336 | 200.58 |
| | 2747480 | | Bushing | 90 mm | | CTC-1140758 | 54.25 |
| STICK | | | | | | | |
| | 5111-UP | | P-UB-10 | 95 mm | 130 mm | CTC-1659419 | 310.12 |
| | | | Bushing | 95 mm | | CTC-1289260 | 56.30 |
| TRACK ADJUSTER | | | | | | | |
| | 5111-UP | | TRACK ADJ | | | CTC-SK100013 | 74.87 |
| MODEL 521 | | | | | | | |
| BOOM | | | | | | | |
| | 5211-UP | | P-UB-10 | 95 mm | 130 mm | CTC-1659419 | 310.12 |
| | | | Bushing | 95 mm | | CTC-1289260 | 56.30 |

REPLACEMENT KITS FOR CATERPILLAR® EQUIPMENT

| Forestry - Track Feller Bunchers | | | | | | | |
|----------------------------------|---------|--------------------------------|-----------|--------|--------|--------------|--------|
| APPLICATION | CYL # | Misc-Parts, Instructions, etc. | CODE | ROD | BORE | KIT # | |
| MODEL 521 | | | | | | | |
| SAW TILT | | | | | | | |
| 5211-UP | | | | | | | |
| | 2545457 | | P-UB-10 | 95 mm | 130 mm | CTC-1659419 | 310.12 |
| | 2545457 | | Bushing | 95 mm | | CTC-1289260 | 56.30 |
| | 2747480 | | P-UB-10 | 90 mm | 130 mm | CTC-3446336 | 200.58 |
| | 2747480 | | Bushing | 90 mm | | CTC-1140758 | 54.25 |
| STICK | | | | | | | |
| 5211-UP | | | | | | | |
| | | | P-UB-10 | 95 mm | 130 mm | CTC-1659419 | 310.12 |
| | | | Bushing | 95 mm | | CTC-1289260 | 56.30 |
| TRACK ADJUSTER | | | | | | | |
| 5211-UP | | | | | | | |
| | | | TRACK ADJ | | | CTC-SK100013 | 74.87 |
| MODEL 521B | | | | | | | |
| BOOM | | | | | | | |
| F7B1-UP | | | | | | | |
| | | | P-UB-10 | 100 mm | 140 mm | CTC-2478792 | 254.17 |
| | | | P-UB-10 | 95 mm | 160 mm | CTC-2521191 | 267.88 |
| | | | Bushing | 100 mm | | CTC-1140757 | 66.11 |
| | | | Bushing | 95 mm | | CTC-6C6093 | 60.58 |
| SAW TILT | | | | | | | |
| F7B1-UP | | | | | | | |
| | | | P-UB-10 | 90 mm | 130 mm | CTC-3446336 | 200.58 |
| | | | Bushing | 90 mm | | CTC-1140758 | 54.25 |
| STICK | | | | | | | |
| F7B1-UP | | | | | | | |
| | | | P-UB-10 | 95 mm | 130 mm | CTC-1659419 | 310.12 |
| | | | Bushing | 95 mm | | CTC-1289260 | 56.30 |
| TRACK ADJUSTER | | | | | | | |
| F7B1-UP | | | | | | | |
| | | | TRACK ADJ | | | CTC-SK100014 | 116.94 |
| MODEL 522 | | | | | | | |
| BOOM | | | | | | | |
| 5221-UP | | | | | | | |
| | | | P-UB-10 | 95 mm | 130 mm | CTC-1659419 | 310.12 |
| | | | Bushing | 95 mm | | CTC-1289260 | 56.30 |
| CAB TILT | | | | | | | |
| 5221-UP | | | | | | | |
| | | | P-UB-10 | 3-1/4 | 7 | CTC-SK100010 | 271.32 |
| SAW TILT | | | | | | | |
| 5221-UP | | | | | | | |
| | 2545457 | | P-UB-10 | 95 mm | 130 mm | CTC-1659419 | 310.12 |
| | 2545457 | | Bushing | 95 mm | | CTC-1289260 | 56.30 |
| | 2747480 | | P-UB-10 | 90 mm | 130 mm | CTC-3446336 | 200.58 |
| | 2747480 | | Bushing | 90 mm | | CTC-1140758 | 54.25 |
| STICK | | | | | | | |
| 5221-UP | | | | | | | |
| | | | P-UB-10 | 95 mm | 130 mm | CTC-1659419 | 310.12 |
| | | | Bushing | 95 mm | | CTC-1289260 | 56.30 |
| TRACK ADJUSTER | | | | | | | |
| 5221-UP | | | | | | | |
| | | | TRACK ADJ | | | CTC-SK100013 | 74.87 |

REPLACEMENT KITS FOR CATERPILLAR® EQUIPMENT

| Forestry - Track Feller Bunchers | | | | | | | |
|----------------------------------|---------|--------------------------------|-----------|--------|--------|--------------|--------|
| APPLICATION | CYL # | Misc-Parts, Instructions, etc. | CODE | ROD | BORE | KIT # | |
| MODEL 522B | | | | | | | |
| BOOM | | | | | | | |
| F7C1-UP | | | | | | | |
| | | | P-UB-10 | 100 mm | 140 mm | CTC-2478792 | 254.17 |
| | | | P-UB-10 | 95 mm | 160 mm | CTC-2521191 | 267.88 |
| | | | Bushing | 100 mm | | CTC-1140757 | 66.11 |
| | | | Bushing | 95 mm | | CTC-6C6093 | 60.58 |
| CAB TILT | | | | | | | |
| F7C1-UP | | | | | | | |
| | | | P-UB-10 | 3-1/4 | 7 | CTC-2290334 | 245.89 |
| SAW TILT | | | | | | | |
| F7C1-UP | | | | | | | |
| | | | P-UB-10 | 90 mm | 130 mm | CTC-3446336 | 200.58 |
| | | | Bushing | 90 mm | | CTC-1140758 | 54.25 |
| STICK | | | | | | | |
| F7C1-UP | | | | | | | |
| | | | P-UB-10 | 95 mm | 130 mm | CTC-1659419 | 310.12 |
| | | | Bushing | 95 mm | | CTC-1289260 | 56.30 |
| TRACK ADJUSTER | | | | | | | |
| F7C1-UP | | | | | | | |
| | | | TRACK ADJ | | | CTC-SK100014 | 116.94 |
| MODEL 532 | | | | | | | |
| BOOM | | | | | | | |
| 5321-UP | | | | | | | |
| | | | P-UB-10 | 95 mm | 130 mm | CTC-1659419 | 310.12 |
| | | | Bushing | 95 mm | | CTC-1289260 | 56.30 |
| CAB TILT | | | | | | | |
| 5321-UP | | | | | | | |
| | | | P-UB-10 | 3-1/4 | 7 | CTC-2290334 | 245.89 |
| SAW TILT | | | | | | | |
| 5321-UP | | | | | | | |
| | 2545457 | | P-UB-10 | 95 mm | 130 mm | CTC-1659419 | 310.12 |
| | 2545457 | | Bushing | 95 mm | | CTC-1289260 | 56.30 |
| | 2747480 | | P-UB-10 | 90 mm | 130 mm | CTC-3446336 | 200.58 |
| | 2747480 | | Bushing | 90 mm | | CTC-1140758 | 54.25 |
| STICK | | | | | | | |
| 5321-UP | | | | | | | |
| | | | P-UB-10 | 95 mm | 130 mm | CTC-1659419 | 310.12 |
| | | | Bushing | 95 mm | | CTC-1289260 | 56.30 |
| TRACK ADJUSTER | | | | | | | |
| 5321-UP | | | | | | | |
| | | | TRACK ADJ | | | CTC-SK100014 | 116.94 |
| MODEL 541 | | | | | | | |
| BOOM | | | | | | | |
| 5411-UP; F7D1-UP | | | | | | | |
| | | | P-UB-10 | 95 mm | 130 mm | CTC-1659419 | 310.12 |
| | | | P-UB-10 | 105 mm | 150 mm | CTC-2481168 | 265.36 |
| | | | Bushing | 105 mm | | CTC-1140760 | 72.04 |
| | | | Bushing | 95 mm | | CTC-1289260 | 56.30 |
| SAW TILT | | | | | | | |
| 5411-UP; F7D1-UP | | | | | | | |
| | | | P-UB-10 | 105 mm | 150 mm | CTC-2481168 | 265.36 |
| | | | Bushing | 105 mm | | CTC-1140760 | 72.04 |
| STICK | | | | | | | |
| 5411-UP | | | | | | | |
| | | | P-UB-10 | 100 mm | 140 mm | CTC-2159985 | 168.04 |
| | | | Bushing | 100 mm | | CTC-1140757 | 66.11 |

CATERPILLAR®

REPLACEMENT KITS FOR CATERPILLAR® EQUIPMENT

| Forestry - Track Feller Bunchers | | | | | | | |
|----------------------------------|-------|--------------------------------|-----------|--------|--------|--------------|--------|
| APPLICATION | CYL # | Misc-Parts, Instructions, etc. | CODE | ROD | BORE | KIT # | |
| MODEL 541 | | | | | | | |
| STICK | | | | | | | |
| 5411-UP; F7D1-UP | | | | | | | |
| | | | P-UB-10 | 105 mm | 150 mm | CTC-2481168 | 265.36 |
| | | | Bushing | 105 mm | | CTC-1140760 | 72.04 |
| F7D1-UP | | | | | | | |
| | | | P-UB-10 | 100 mm | 140 mm | CTC-2478792 | 254.17 |
| | | | Bushing | 100 mm | | CTC-1140757 | 66.11 |
| TRACK ADJUSTER | | | | | | | |
| 5411-UP; F7D1-UP | | | | | | | |
| | | | TRACK ADJ | | | CTC-SK100014 | 116.94 |
| MODEL 541 II | | | | | | | |
| BOOM | | | | | | | |
| 5411-UP; F7D1-UP | | | | | | | |
| | | | P-UB-10 | 95 mm | 130 mm | CTC-1659419 | 310.12 |
| | | | P-UB-10 | 105 mm | 150 mm | CTC-2481168 | 265.36 |
| | | | Bushing | 105 mm | | CTC-1140760 | 72.04 |
| | | | Bushing | 95 mm | | CTC-1289260 | 56.30 |
| SAW TILT | | | | | | | |
| 5411-UP; F7D1-UP | | | | | | | |
| | | | P-UB-10 | 105 mm | 150 mm | CTC-2481168 | 265.36 |
| | | | Bushing | 105 mm | | CTC-1140760 | 72.04 |
| STICK | | | | | | | |
| 5411-UP | | | | | | | |
| | | | P-UB-10 | 100 mm | 140 mm | CTC-2159985 | 168.04 |
| | | | Bushing | 100 mm | | CTC-1140757 | 66.11 |
| 5411-UP; F7D1-UP | | | | | | | |
| | | | P-UB-10 | 105 mm | 150 mm | CTC-2481168 | 265.36 |
| | | | Bushing | 105 mm | | CTC-1140760 | 72.04 |
| F7D1-UP | | | | | | | |
| | | | P-UB-10 | 100 mm | 140 mm | CTC-2478792 | 254.17 |
| | | | Bushing | 100 mm | | CTC-1140757 | 66.11 |
| TRACK ADJUSTER | | | | | | | |
| 5411-UP; F7D1-UP | | | | | | | |
| | | | TRACK ADJ | | | CTC-SK100014 | 116.94 |
| MODEL 551 | | | | | | | |
| BOOM | | | | | | | |
| 5511-UP | | | | | | | |
| | | | P-UB-10 | 95 mm | 130 mm | CTC-1659419 | 310.12 |
| | | | P-UB-10 | 105 mm | 150 mm | CTC-2481168 | 265.36 |
| | | | Bushing | 105 mm | | CTC-1140760 | 72.04 |
| | | | Bushing | 95 mm | | CTC-1289260 | 56.30 |
| SAW TILT | | | | | | | |
| 5511-UP | | | | | | | |
| | | | P-UB-10 | 105 mm | 150 mm | CTC-2481168 | 265.36 |
| | | | Bushing | 105 mm | | CTC-1140760 | 72.04 |
| STICK | | | | | | | |
| 5511-UP | | | | | | | |
| | | | P-UB-10 | 100 mm | 140 mm | CTC-2159985 | 168.04 |
| | | | P-UB-10 | 105 mm | 150 mm | CTC-2481168 | 265.36 |
| | | | Bushing | 100 mm | | CTC-1140757 | 66.11 |
| | | | Bushing | 105 mm | | CTC-1140760 | 72.04 |
| TRACK ADJUSTER | | | | | | | |
| 5511-UP | | | | | | | |
| | | | TRACK ADJ | | | CTC-SK100014 | 116.94 |

REPLACEMENT KITS FOR CATERPILLAR® EQUIPMENT

| Forestry - Track Feller Bunchers | | | | | | | |
|----------------------------------|-------|--------------------------------|-----------|--------|--------|--------------|--------|
| APPLICATION | CYL # | Misc-Parts, Instructions, etc. | CODE | ROD | BORE | KIT # | |
| MODEL 552 | | | | | | | |
| BOOM | | | | | | | |
| 5521-UP; F7G1-UP | | | | | | | |
| | | | P-UB-10 | 95 mm | 130 mm | CTC-1659419 | 310.12 |
| | | | P-UB-10 | 105 mm | 150 mm | CTC-2481168 | 265.36 |
| | | | Bushing | 105 mm | | CTC-1140760 | 72.04 |
| | | | Bushing | 95 mm | | CTC-1289260 | 56.30 |
| CAB TILT | | | | | | | |
| 5521-UP; F7G1-UP | | | | | | | |
| | | | P-UB-10 | 3-1/4 | 7 | CTC-2290334 | 245.89 |
| SAW TILT | | | | | | | |
| 5521-UP; F7G1-UP | | | | | | | |
| | | | P-UB-10 | 105 mm | 150 mm | CTC-2481168 | 265.36 |
| | | | Bushing | 105 mm | | CTC-1140760 | 72.04 |
| STICK | | | | | | | |
| 5521-UP | | | | | | | |
| | | | P-UB-10 | 100 mm | 140 mm | CTC-2159985 | 168.04 |
| | | | Bushing | 100 mm | | CTC-1140757 | 66.11 |
| 5521-UP; F7G1-UP | | | | | | | |
| | | | P-UB-10 | 105 mm | 150 mm | CTC-2481168 | 265.36 |
| | | | Bushing | 105 mm | | CTC-1140760 | 72.04 |
| F7G1-UP | | | | | | | |
| | | | P-UB-10 | 100 mm | 140 mm | CTC-2478792 | 254.17 |
| | | | Bushing | 100 mm | | CTC-1140757 | 66.11 |
| TRACK ADJUSTER | | | | | | | |
| 5521-UP; F7G1-UP | | | | | | | |
| | | | TRACK ADJ | | | CTC-SK100014 | 116.94 |
| MODEL 552 II | | | | | | | |
| BOOM | | | | | | | |
| 5521-UP; F7G1-UP | | | | | | | |
| | | | P-UB-10 | 95 mm | 130 mm | CTC-1659419 | 310.12 |
| | | | P-UB-10 | 105 mm | 150 mm | CTC-2481168 | 265.36 |
| | | | Bushing | 105 mm | | CTC-1140760 | 72.04 |
| | | | Bushing | 95 mm | | CTC-1289260 | 56.30 |
| CAB TILT | | | | | | | |
| 5521-UP; F7G1-UP | | | | | | | |
| | | | P-UB-10 | 3-1/4 | 7 | CTC-2290334 | 245.89 |
| SAW TILT | | | | | | | |
| 5521-UP; F7G1-UP | | | | | | | |
| | | | P-UB-10 | 105 mm | 150 mm | CTC-2481168 | 265.36 |
| | | | Bushing | 105 mm | | CTC-1140760 | 72.04 |
| STICK | | | | | | | |
| 5521-UP | | | | | | | |
| | | | P-UB-10 | 100 mm | 140 mm | CTC-2159985 | 168.04 |
| | | | Bushing | 100 mm | | CTC-1140757 | 66.11 |
| 5521-UP; F7G1-UP | | | | | | | |
| | | | P-UB-10 | 105 mm | 150 mm | CTC-2481168 | 265.36 |
| | | | Bushing | 105 mm | | CTC-1140760 | 72.04 |
| F7G1-UP | | | | | | | |
| | | | P-UB-10 | 100 mm | 140 mm | CTC-2478792 | 254.17 |
| | | | Bushing | 100 mm | | CTC-1140757 | 66.11 |
| TRACK ADJUSTER | | | | | | | |
| 5521-UP; F7G1-UP | | | | | | | |
| | | | TRACK ADJ | | | CTC-SK100014 | 116.94 |

REPLACEMENT KITS FOR CATERPILLAR® EQUIPMENT

| Forestry - Track Feller Bunchers | | | | | | | |
|----------------------------------|---------|--------------------------------|-----------|-------|--------|--------------|--------|
| APPLICATION | CYL # | Misc-Parts, Instructions, etc. | CODE | ROD | BORE | KIT # | |
| MODEL 1090 | | | | | | | |
| BOOM | | | | | | | |
| BZJ1-UP | | | | | | | |
| | | | P-UB-10 | 95 mm | 130 mm | CTC-1659419 | 310.12 |
| | | | Bushing | 95 mm | | CTC-1289260 | 56.30 |
| SAW TILT | | | | | | | |
| BZJ1-2109 | | | | | | | |
| | 2159052 | | P-UB-10 | 95 mm | 130 mm | CTC-1659419 | 310.12 |
| | 2159052 | | Bushing | 95 mm | | CTC-1289260 | 56.30 |
| | 2545457 | | P-UB-10 | 95 mm | 130 mm | CTC-1659419 | 310.12 |
| | 2545457 | | Bushing | 95 mm | | CTC-1289260 | 56.30 |
| BZJ1-UP | | | | | | | |
| | 2747480 | | P-UB-10 | 90 mm | 130 mm | CTC-3446336 | 200.58 |
| | 2747480 | | Bushing | 90 mm | | CTC-1140758 | 54.25 |
| STICK | | | | | | | |
| BZJ1-UP | | | | | | | |
| | | | P-UB-10 | 95 mm | 130 mm | CTC-1659419 | 310.12 |
| | | | Bushing | 95 mm | | CTC-1289260 | 56.30 |
| TRACK ADJUSTER | | | | | | | |
| BZJ1-UP | | | | | | | |
| | | | TRACK ADJ | | | CTC-SK100013 | 74.87 |
| MODEL 1190 | | | | | | | |
| BOOM | | | | | | | |
| BZK1-UP; BZL1-UP | | | | | | | |
| | | | P-UB-10 | 95 mm | 130 mm | CTC-1659419 | 310.12 |
| | | | Bushing | 95 mm | | CTC-1289260 | 56.30 |
| CAB TILT | | | | | | | |
| BZL1-UP | | | | | | | |
| | | | P-UB-10 | 3-1/4 | 7 | CTC-2290334 | 245.89 |
| SAW TILT | | | | | | | |
| BZK1-2159; BZL1-2209 | | | | | | | |
| | 2159052 | | P-UB-10 | 95 mm | 130 mm | CTC-1659419 | 310.12 |
| | 2159052 | | Bushing | 95 mm | | CTC-1289260 | 56.30 |
| | 2545457 | | P-UB-10 | 95 mm | 130 mm | CTC-1659419 | 310.12 |
| | 2545457 | | Bushing | 95 mm | | CTC-1289260 | 56.30 |
| BZK1-UP; BZL206-UP | | | | | | | |
| | 2747480 | | P-UB-10 | 90 mm | 130 mm | CTC-3446336 | 200.58 |
| | 2747480 | | Bushing | 90 mm | | CTC-1140758 | 54.25 |
| STICK | | | | | | | |
| BZK1-UP; BZL1-UP | | | | | | | |
| | | | P-UB-10 | 95 mm | 130 mm | CTC-1659419 | 310.12 |
| | | | Bushing | 95 mm | | CTC-1289260 | 56.30 |
| TRACK ADJUSTER | | | | | | | |
| BZK1-UP; BZL1-UP | | | | | | | |
| | | | TRACK ADJ | | | CTC-SK100013 | 74.87 |
| MODEL 1190T | | | | | | | |
| BOOM | | | | | | | |
| BZK1-UP; BZL1-UP | | | | | | | |
| | | | P-UB-10 | 95 mm | 130 mm | CTC-1659419 | 310.12 |
| | | | Bushing | 95 mm | | CTC-1289260 | 56.30 |
| CAB TILT | | | | | | | |
| BZL1-UP | | | | | | | |
| | | | P-UB-10 | 3-1/4 | 7 | CTC-2290334 | 245.89 |

REPLACEMENT KITS FOR CATERPILLAR® EQUIPMENT

| Forestry - Track Feller Bunchers | | | | | | | |
|----------------------------------|-------|--------------------------------|-----------|--------|--------|--------------|--------|
| APPLICATION | CYL # | Misc-Parts, Instructions, etc. | CODE | ROD | BORE | KIT # | |
| MODEL 1190T | | | | | | | |
| SAW TILT | | | | | | | |
| BZK1-2159; BZL1-2209 | | | | | | | |
| 2159052 | | | P-UB-10 | 95 mm | 130 mm | CTC-1659419 | 310.12 |
| 2159052 | | | Bushing | 95 mm | | CTC-1289260 | 56.30 |
| 2545457 | | | P-UB-10 | 95 mm | 130 mm | CTC-1659419 | 310.12 |
| 2545457 | | | Bushing | 95 mm | | CTC-1289260 | 56.30 |
| BZK1-UP; BZL206-UP | | | | | | | |
| 2747480 | | | P-UB-10 | 90 mm | 130 mm | CTC-3446336 | 200.58 |
| 2747480 | | | Bushing | 90 mm | | CTC-1140758 | 54.25 |
| STICK | | | | | | | |
| BZK1-UP; BZL1-UP | | | | | | | |
| | | | P-UB-10 | 95 mm | 130 mm | CTC-1659419 | 310.12 |
| | | | Bushing | 95 mm | | CTC-1289260 | 56.30 |
| TRACK ADJUSTER | | | | | | | |
| BZK1-UP; BZL1-UP | | | | | | | |
| | | | TRACK ADJ | | | CTC-SK100013 | 74.87 |
| MODEL 1290T | | | | | | | |
| BOOM | | | | | | | |
| BZM1-UP | | | | | | | |
| | | | P-UB-10 | 95 mm | 130 mm | CTC-1659419 | 310.12 |
| | | | Bushing | 95 mm | | CTC-1289260 | 56.30 |
| BZM2260-UP | | | | | | | |
| | | | P-UB-10 | 95 mm | 160 mm | CTC-2521191 | 267.88 |
| | | | Bushing | 95 mm | | CTC-6C6093 | 60.58 |
| CAB TILT | | | | | | | |
| BZM1-UP | | | | | | | |
| | | | P-UB-10 | 3-1/4 | 7 | CTC-2290334 | 245.89 |
| SAW TILT | | | | | | | |
| BZM1-UP | | | | | | | |
| 2159052 | | | P-UB-10 | 95 mm | 130 mm | CTC-1659419 | 310.12 |
| 2159052 | | | Bushing | 95 mm | | CTC-1289260 | 56.30 |
| 2545457 | | | P-UB-10 | 95 mm | 130 mm | CTC-1659419 | 310.12 |
| 2545457 | | | Bushing | 95 mm | | CTC-1289260 | 56.30 |
| BZM2260-UP | | | | | | | |
| 2747480 | | | P-UB-10 | 90 mm | 130 mm | CTC-3446336 | 200.58 |
| 2747480 | | | Bushing | 90 mm | | CTC-1140758 | 54.25 |
| STICK | | | | | | | |
| BZM1-UP | | | | | | | |
| | | | P-UB-10 | 95 mm | 130 mm | CTC-1659419 | 310.12 |
| | | | Bushing | 95 mm | | CTC-1289260 | 56.30 |
| TRACK ADJUSTER | | | | | | | |
| BZM1-UP | | | | | | | |
| | | | TRACK ADJ | | | CTC-SK100014 | 116.94 |
| MODEL 1390 | | | | | | | |
| BOOM | | | | | | | |
| B3F1-UP | | | | | | | |
| | | | P-UB-10 | 95 mm | 130 mm | CTC-1659419 | 310.12 |
| | | | P-UB-10 | 105 mm | 150 mm | CTC-2481168 | 265.36 |
| | | | Bushing | 105 mm | | CTC-1140760 | 72.04 |
| | | | Bushing | 95 mm | | CTC-1289260 | 56.30 |
| SAW TILT | | | | | | | |
| B3F1-UP | | | | | | | |
| | | | P-UB-10 | 105 mm | 150 mm | CTC-2481168 | 265.36 |
| | | | Bushing | 105 mm | | CTC-1140760 | 72.04 |

REPLACEMENT KITS FOR CATERPILLAR® EQUIPMENT

| Forestry - Track Feller Bunchers | | | | | | | |
|----------------------------------|-------|--------------------------------|-----------|--------|--------|--------------|--------|
| APPLICATION | CYL # | Misc-Parts, Instructions, etc. | CODE | ROD | BORE | KIT # | |
| MODEL 1390 | | | | | | | |
| STICK | | | | | | | |
| B3F1-UP | | | | | | | |
| | | | P-UB-10 | 95 mm | 130 mm | CTC-1659419 | 310.12 |
| | | | P-UB-10 | 100 mm | 140 mm | CTC-2159985 | 168.04 |
| | | | P-UB-10 | 105 mm | 150 mm | CTC-2481168 | 265.36 |
| | | | Bushing | 100 mm | | CTC-1140757 | 66.11 |
| | | | Bushing | 105 mm | | CTC-1140760 | 72.04 |
| | | | Bushing | 95 mm | | CTC-1289260 | 56.30 |
| TRACK ADJUSTER | | | | | | | |
| B3F1-2309 | | | | | | | |
| | | | TRACK ADJ | | | CTC-SK100013 | 74.87 |
| B3F2310-UP | | | | | | | |
| | | | TRACK ADJ | | | CTC-SK100015 | 137.95 |
| MODEL 2290 | | | | | | | |
| BOOM | | | | | | | |
| P2D1-UP | | | | | | | |
| | | | P-UB-10 | 95 mm | 130 mm | CTC-1659419 | 310.12 |
| | | | Bushing | 95 mm | | CTC-1289260 | 56.30 |
| SAW TILT | | | | | | | |
| P2D1-UP | | | | | | | |
| | | | P-UB-10 | 90 mm | 130 mm | CTC-3446336 | 200.58 |
| | | | Bushing | 90 mm | | CTC-1140758 | 54.25 |
| STICK | | | | | | | |
| P2D1-UP | | | | | | | |
| | | | P-UB-10 | 95 mm | 130 mm | CTC-1659419 | 310.12 |
| | | | Bushing | 95 mm | | CTC-1289260 | 56.30 |
| TRACK ADJUSTER | | | | | | | |
| P2D1-UP | | | | | | | |
| | | | TRACK ADJ | | | CTC-SK100013 | 74.87 |
| MODEL 2390 | | | | | | | |
| BOOM | | | | | | | |
| P3H250-UP | | | | | | | |
| | | | P-UB-10 | 95 mm | 130 mm | CTC-1659419 | 310.12 |
| | | | Bushing | 95 mm | | CTC-1289260 | 56.30 |
| SAW TILT | | | | | | | |
| P3H250-UP | | | | | | | |
| | | | P-UB-10 | 90 mm | 130 mm | CTC-3446336 | 200.58 |
| | | | Bushing | 90 mm | | CTC-1140758 | 54.25 |
| STICK | | | | | | | |
| P3H250-UP | | | | | | | |
| | | | P-UB-10 | 95 mm | 130 mm | CTC-SK100003 | 260.47 |
| TRACK ADJUSTER | | | | | | | |
| P3H250-UP | | | | | | | |
| | | | TRACK ADJ | | | CTC-SK100013 | 74.87 |
| MODEL 2391 | | | | | | | |
| BOOM | | | | | | | |
| P4K1-UP | | | | | | | |
| | | | P-UB-10 | 95 mm | 130 mm | CTC-1659419 | 310.12 |
| | | | Bushing | 95 mm | | CTC-1289260 | 56.30 |
| CAB TILT | | | | | | | |
| P4K1-UP | | | | | | | |
| | | | P-UB-10 | 3-1/4 | 7 | CTC-2290334 | 245.89 |
| SAW TILT | | | | | | | |
| P4K1-UP | | | | | | | |
| | | | P-UB-10 | 90 mm | 130 mm | CTC-3446336 | 200.58 |
| | | | Bushing | 90 mm | | CTC-1140758 | 54.25 |

REPLACEMENT KITS FOR CATERPILLAR® EQUIPMENT

| Forestry - Track Feller Bunchers | | | | | | | |
|----------------------------------|-------|--------------------------------|-----------|--------|--------|--------------|--------|
| APPLICATION | CYL # | Misc-Parts, Instructions, etc. | CODE | ROD | BORE | KIT # | |
| MODEL 2391 | | | | | | | |
| STICK | | | | | | | |
| P4K1-UP | | | | | | | |
| | | | P-UB-10 | 95 mm | 130 mm | CTC-SK100003 | 260.47 |
| TRACK ADJUSTER | | | | | | | |
| P4K1-UP | | | | | | | |
| | | | TRACK ADJ | | | CTC-SK100013 | 74.87 |
| MODEL 2491 | | | | | | | |
| BOOM | | | | | | | |
| P5J1-UP | | | | | | | |
| | | | P-UB-10 | 95 mm | 130 mm | CTC-1659419 | 310.12 |
| | | | Bushing | 95 mm | | CTC-1289260 | 56.30 |
| CAB TILT | | | | | | | |
| P5J1-UP | | | | | | | |
| | | | P-UB-10 | 3-1/4 | 7 | CTC-2290334 | 245.89 |
| SAW TILT | | | | | | | |
| P5J1-UP | | | | | | | |
| | | | P-UB-10 | 90 mm | 130 mm | CTC-3446336 | 200.58 |
| | | | Bushing | 90 mm | | CTC-1140758 | 54.25 |
| STICK | | | | | | | |
| P5J1-UP | | | | | | | |
| | | | P-UB-10 | 95 mm | 130 mm | CTC-1659419 | 310.12 |
| | | | Bushing | 95 mm | | CTC-1289260 | 56.30 |
| TRACK ADJUSTER | | | | | | | |
| P5J1-UP | | | | | | | |
| | | | TRACK ADJ | | | CTC-SK100014 | 116.94 |
| MODEL 2590 | | | | | | | |
| BOOM | | | | | | | |
| P6B1-UP | | | | | | | |
| | | | P-UB-10 | 95 mm | 130 mm | CTC-1659419 | 310.12 |
| | | | P-UB-10 | 105 mm | 150 mm | CTC-2481168 | 265.36 |
| | | | Bushing | 105 mm | | CTC-1140760 | 72.04 |
| | | | Bushing | 95 mm | | CTC-1289260 | 56.30 |
| SAW TILT | | | | | | | |
| P6B1-UP | | | | | | | |
| | | | P-UB-10 | 105 mm | 150 mm | CTC-2481168 | 265.36 |
| | | | Bushing | 105 mm | | CTC-1140760 | 72.04 |
| STICK | | | | | | | |
| P6B1-UP | | | | | | | |
| | | | P-UB-10 | 100 mm | 140 mm | CTC-2478792 | 254.17 |
| | | | P-UB-10 | 105 mm | 150 mm | CTC-2481168 | 265.36 |
| | | | Bushing | 100 mm | | CTC-1140757 | 66.11 |
| | | | Bushing | 105 mm | | CTC-1140760 | 72.04 |
| TRACK ADJUSTER | | | | | | | |
| P6B1-UP | | | | | | | |
| | | | TRACK ADJ | | | CTC-SK100014 | 116.94 |
| MODEL TK711 | | | | | | | |
| BOOM | | | | | | | |
| 1011-UP | | | | | | | |
| | | | P-UB-10 | 95 mm | 130 mm | CTC-1659419 | 310.12 |
| | | | Bushing | 95 mm | | CTC-1289260 | 56.30 |

CATERPILLAR®

REPLACEMENT KITS FOR CATERPILLAR® EQUIPMENT

| Forestry - Track Feller Bunchers | | | | | | | |
|----------------------------------|---------|--------------------------------|-----------|-------|--------|--------------|--------|
| APPLICATION | CYL # | Misc-Parts, Instructions, etc. | CODE | ROD | BORE | KIT # | |
| MODEL TK711 | | | | | | | |
| SAW TILT | | | | | | | |
| 1011-UP | | | | | | | |
| | 2159052 | | P-UB-10 | 95 mm | 130 mm | CTC-1659419 | 310.12 |
| | 2159052 | | Bushing | 95 mm | | CTC-1289260 | 56.30 |
| | 2545457 | | P-UB-10 | 95 mm | 130 mm | CTC-1659419 | 310.12 |
| | 2545457 | | Bushing | 95 mm | | CTC-1289260 | 56.30 |
| | 2747480 | | P-UB-10 | 90 mm | 130 mm | CTC-3446336 | 200.58 |
| | 2747480 | | Bushing | 90 mm | | CTC-1140758 | 54.25 |
| STICK | | | | | | | |
| 1011-UP | | | | | | | |
| | | | P-UB-10 | 95 mm | 130 mm | CTC-1659419 | 310.12 |
| | | | Bushing | 95 mm | | CTC-1289260 | 56.30 |
| TRACK ADJUSTER | | | | | | | |
| 1011-UP | | | | | | | |
| | | | TRACK ADJ | | | CTC-SK100013 | 74.87 |
| MODEL TK721 | | | | | | | |
| BOOM | | | | | | | |
| 1021-UP | | | | | | | |
| | | | P-UB-10 | 95 mm | 130 mm | CTC-1659419 | 310.12 |
| | | | Bushing | 95 mm | | CTC-1289260 | 56.30 |
| SAW TILT | | | | | | | |
| 1021-UP | | | | | | | |
| | 2159052 | | P-UB-10 | 95 mm | 130 mm | CTC-1659419 | 310.12 |
| | 2159052 | | Bushing | 95 mm | | CTC-1289260 | 56.30 |
| | 2545457 | | P-UB-10 | 95 mm | 130 mm | CTC-1659419 | 310.12 |
| | 2545457 | | Bushing | 95 mm | | CTC-1289260 | 56.30 |
| | 2747480 | | P-UB-10 | 90 mm | 130 mm | CTC-3446336 | 200.58 |
| | 2747480 | | Bushing | 90 mm | | CTC-1140758 | 54.25 |
| STICK | | | | | | | |
| 1021-UP | | | | | | | |
| | | | P-UB-10 | 95 mm | 130 mm | CTC-1659419 | 310.12 |
| | | | Bushing | 95 mm | | CTC-1289260 | 56.30 |
| TRACK ADJUSTER | | | | | | | |
| 1021-UP | | | | | | | |
| | | | TRACK ADJ | | | CTC-SK100013 | 74.87 |
| MODEL TK722 | | | | | | | |
| BOOM | | | | | | | |
| 1031-UP | | | | | | | |
| | | | P-UB-10 | 95 mm | 130 mm | CTC-1659419 | 310.12 |
| | | | Bushing | 95 mm | | CTC-1289260 | 56.30 |
| CAB TILT | | | | | | | |
| 103445-UP | | | | | | | |
| | | | P-UB-10 | 3-1/4 | 7 | CTC-2290334 | 245.89 |
| SAW TILT | | | | | | | |
| 1031-UP | | | | | | | |
| | 2159052 | | P-UB-10 | 95 mm | 130 mm | CTC-1659419 | 310.12 |
| | 2159052 | | Bushing | 95 mm | | CTC-1289260 | 56.30 |
| | 2545457 | | P-UB-10 | 95 mm | 130 mm | CTC-1659419 | 310.12 |
| | 2545457 | | Bushing | 95 mm | | CTC-1289260 | 56.30 |
| | 2747480 | | P-UB-10 | 90 mm | 130 mm | CTC-3446336 | 200.58 |
| | 2747480 | | Bushing | 90 mm | | CTC-1140758 | 54.25 |
| STICK | | | | | | | |
| 1031-UP | | | | | | | |
| | | | P-UB-10 | 95 mm | 130 mm | CTC-1659419 | 310.12 |
| | | | Bushing | 95 mm | | CTC-1289260 | 56.30 |

REPLACEMENT KITS FOR CATERPILLAR® EQUIPMENT

| Forestry - Track Feller Bunchers | | | | | | | |
|----------------------------------|-----------|--------------------------------|-----------|--------|--------|--------------|--------|
| APPLICATION | CYL # | Misc-Parts, Instructions, etc. | CODE | ROD | BORE | KIT # | |
| MODEL TK722 | | | | | | | |
| TRACK ADJUSTER | | | | | | | |
| | 1031-UP | | TRACK ADJ | | | CTC-SK100013 | 74.87 |
| MODEL TK732 | | | | | | | |
| BOOM | | | | | | | |
| | 1041-UP | | | | | | |
| | | | P-UB-10 | 95 mm | 130 mm | CTC-1659419 | 310.12 |
| | | | Bushing | 95 mm | | CTC-1289260 | 56.30 |
| CAB TILT | | | | | | | |
| | 104545-UP | | | | | | |
| | | | P-UB-10 | 3-1/4 | 7 | CTC-2290334 | 245.89 |
| SAW TILT | | | | | | | |
| | 1041-UP | | | | | | |
| | 2159052 | | P-UB-10 | 95 mm | 130 mm | CTC-1659419 | 310.12 |
| | 2159052 | | Bushing | 95 mm | | CTC-1289260 | 56.30 |
| | 2545457 | | P-UB-10 | 95 mm | 130 mm | CTC-1659419 | 310.12 |
| | 2545457 | | Bushing | 95 mm | | CTC-1289260 | 56.30 |
| | 2747480 | | P-UB-10 | 90 mm | 130 mm | CTC-3446336 | 200.58 |
| | 2747480 | | Bushing | 90 mm | | CTC-1140758 | 54.25 |
| STICK | | | | | | | |
| | 1041-UP | | | | | | |
| | | | P-UB-10 | 95 mm | 130 mm | CTC-1659419 | 310.12 |
| | | | Bushing | 95 mm | | CTC-1289260 | 56.30 |
| TRACK ADJUSTER | | | | | | | |
| | 1041-UP | | | | | | |
| | | | TRACK ADJ | | | CTC-SK100014 | 116.94 |
| MODEL TK741 | | | | | | | |
| BOOM | | | | | | | |
| | 2021-1204 | | | | | | |
| | | | P-UB-10 | 95 mm | 130 mm | CTC-1659419 | 310.12 |
| | | | P-UB-10 | 105 mm | 150 mm | CTC-2481168 | 265.36 |
| | | | Bushing | 105 mm | | CTC-1140760 | 72.04 |
| | | | Bushing | 95 mm | | CTC-1289260 | 56.30 |
| SAW TILT | | | | | | | |
| | 2021-1204 | | | | | | |
| | | | P-UB-10 | 105 mm | 150 mm | CTC-2481168 | 265.36 |
| | | | Bushing | 105 mm | | CTC-1140760 | 72.04 |
| STICK | | | | | | | |
| | 2021-1204 | | | | | | |
| | | | P-UB-10 | 95 mm | 130 mm | CTC-1659419 | 310.12 |
| | | | P-UB-10 | 100 mm | 140 mm | CTC-2159985 | 168.04 |
| | | | P-UB-10 | 105 mm | 150 mm | CTC-2481168 | 265.36 |
| | | | Bushing | 100 mm | | CTC-1140757 | 66.11 |
| | | | Bushing | 105 mm | | CTC-1140760 | 72.04 |
| | | | Bushing | 95 mm | | CTC-1289260 | 56.30 |
| TRACK ADJUSTER | | | | | | | |
| | 2021-1204 | | | | | | |
| | | | TRACK ADJ | | | CTC-SK100013 | 74.87 |
| MODEL TK751 | | | | | | | |
| BOOM | | | | | | | |
| | 3011-1114 | | | | | | |
| | | | P-UB-10 | 95 mm | 130 mm | CTC-1659419 | 310.12 |
| | | | P-UB-10 | 105 mm | 150 mm | CTC-2481168 | 265.36 |
| | | | Bushing | 105 mm | | CTC-1140760 | 72.04 |
| | | | Bushing | 95 mm | | CTC-1289260 | 56.30 |

CATERPILLAR®

REPLACEMENT KITS FOR CATERPILLAR® EQUIPMENT

| Forestry - Track Feller Bunchers | | | | | | | |
|--|---------|--------------------------------|-----------|--------|--------|--------------|--------|
| APPLICATION | CYL # | Misc-Parts, Instructions, etc. | CODE | ROD | BORE | KIT # | |
| MODEL TK751 | | | | | | | |
| SAW TILT | | | | | | | |
| 3011-1114 | | | | | | | |
| | | | P-UB-10 | 105 mm | 150 mm | CTC-2481168 | 265.36 |
| | | | Bushing | 105 mm | | CTC-1140760 | 72.04 |
| STICK | | | | | | | |
| 3011-1114 | | | | | | | |
| | | | P-UB-10 | 95 mm | 130 mm | CTC-1659419 | 310.12 |
| | | | P-UB-10 | 100 mm | 140 mm | CTC-2159985 | 168.04 |
| | | | P-UB-10 | 105 mm | 150 mm | CTC-2481168 | 265.36 |
| | | | Bushing | 100 mm | | CTC-1140757 | 66.11 |
| | | | Bushing | 105 mm | | CTC-1140760 | 72.04 |
| | | | Bushing | 95 mm | | CTC-1289260 | 56.30 |
| TRACK ADJUSTER | | | | | | | |
| 3011-1114 | | | | | | | |
| | | | TRACK ADJ | | | CTC-SK100014 | 116.94 |
| MODEL TK752 | | | | | | | |
| BOOM | | | | | | | |
| 3021-UP | | | | | | | |
| | | | P-UB-10 | 95 mm | 130 mm | CTC-1659419 | 310.12 |
| | | | P-UB-10 | 105 mm | 150 mm | CTC-2481168 | 265.36 |
| | | | Bushing | 105 mm | | CTC-1140760 | 72.04 |
| | | | Bushing | 95 mm | | CTC-1289260 | 56.30 |
| CAB TILT | | | | | | | |
| 3021-1144 | | | | | | | |
| | | | P-UB-10 | 3-1/4 | 7 | CTC-2290334 | 245.89 |
| SAW TILT | | | | | | | |
| 3021-UP | | | | | | | |
| | | | P-UB-10 | 105 mm | 150 mm | CTC-2481168 | 265.36 |
| | | | Bushing | 105 mm | | CTC-1140760 | 72.04 |
| STICK | | | | | | | |
| 3021-UP | | | | | | | |
| | | | P-UB-10 | 95 mm | 130 mm | CTC-1659419 | 310.12 |
| | | | P-UB-10 | 100 mm | 140 mm | CTC-2159985 | 168.04 |
| | | | P-UB-10 | 105 mm | 150 mm | CTC-2481168 | 265.36 |
| | | | Bushing | 100 mm | | CTC-1140757 | 66.11 |
| | | | Bushing | 105 mm | | CTC-1140760 | 72.04 |
| | | | Bushing | 95 mm | | CTC-1289260 | 56.30 |
| TRACK ADJUSTER | | | | | | | |
| 3021-UP | | | | | | | |
| | | | TRACK ADJ | | | CTC-SK100014 | 116.94 |
| Forestry - Track Skidder/Grapple Skidders | | | | | | | |
| APPLICATION | CYL # | Misc-Parts, Instructions, etc. | CODE | ROD | BORE | KIT # | |
| MODEL 517 | | | | | | | |
| ARCH LIFT | | | | | | | |
| 5WW1-UP | | | | | | | |
| | 1607610 | | P-UB-10 | 2-1/2 | 4-3/4 | CTC-2285272 | 121.83 |
| | 6E0366 | | P-UB-10 | 2-1/2 | 4-3/4 | CTC-2285272 | 121.83 |
| BOOM | | | | | | | |
| 5WW1-UP | | | | | | | |
| | 2838423 | | P-UB-10 | 70 mm | 140 mm | CTC-SK100005 | 385.53 |
| DOZER ANGLING | | | | | | | |
| 5WW1-UP; 6PW1-UP; 7EH1-UP | | | | | | | |
| | 1006174 | | P-UB-10 | 1-3/4 | 3-1/2 | CTC-2401881 | 98.74 |
| DOZER LIFT | | | | | | | |
| 5WW1-UP; 6PW1-UP; 7EH1-UP | | | | | | | |
| | 6E0365 | | P-UB-10 | 2 | 4-1/4 | CTC-2408523 | 79.02 |

REPLACEMENT KITS FOR CATERPILLAR® EQUIPMENT

| Forestry - Track Skidder/Grapple Skidders | | | | | | | |
|--|---------|--------------------------------|---------|-------|--------|--------------|--------|
| APPLICATION | CYL # | Misc-Parts, Instructions, etc. | CODE | ROD | BORE | KIT # | |
| MODEL 517 | | | | | | | |
| DOZER TILT | | | | | | | |
| 5WW1-UP; 6PW1-UP; 7EH1-UP | | | | | | | |
| | 9T9557 | | P-UB-10 | 2 | 4-1/4 | CTC-2409939 | 193.18 |
| GRAPPLE | | | | | | | |
| 5WW1-UP | | | | | | | |
| | 2838424 | | P-UB-10 | 70 mm | 140 mm | CTC-SK100005 | 385.53 |
| MODEL 527 | | | | | | | |
| ARCH LIFT | | | | | | | |
| 4NS1-UP | | | | | | | |
| | 1607610 | | P-UB-10 | 2-1/2 | 4-3/4 | CTC-2285272 | 121.83 |
| | 6E0366 | | P-UB-10 | 2-1/2 | 4-3/4 | CTC-2285272 | 121.83 |
| BOOM | | | | | | | |
| 4NS1-UP; JSR1-UP | | | | | | | |
| | 2838423 | | P-UB-10 | 70 mm | 140 mm | CTC-SK100005 | 385.53 |
| DOZER ANGLING | | | | | | | |
| 2RS1-UP; 3DS1-UP; 4NS1-UP; BDW1-UP; JSR1-UP; PTR1-UP | | | | | | | |
| | 1317192 | | P-UB-10 | 2-1/4 | 4-1/4 | CTC-2417579 | 229.23 |
| PTR1-UP | | | | | | | |
| | | | P-UB-10 | 2 | 4 | CTC-2409538 | 94.69 |
| DOZER LIFT | | | | | | | |
| 2RS1-UP; 3DS1-UP; 4NS1-UP; BDW1-UP; JSR1-UP; PTR1-UP | | | | | | | |
| | 1418640 | | P-UB-10 | 2-1/4 | 3-3/4 | CTC-2350969 | 228.34 |
| | 6E0367 | | P-UB-10 | 2-1/4 | 4-1/2 | CTC-3110662 | 94.49 |
| DOZER TILT | | | | | | | |
| 2RS1-UP; 3DS1-UP; 4NS1-UP; BDW1-UP; JSR1-UP; PTR1-UP | | | | | | | |
| | 9T9558 | | P-UB-10 | 2-1/4 | 4-3/4 | CTC-2417580 | 228.17 |
| GRAPPLE | | | | | | | |
| 4NS1-UP; JSR1-UP | | | | | | | |
| | 2838424 | | P-UB-10 | 70 mm | 140 mm | CTC-SK100005 | 385.53 |
| Forestry - Track Skidders | | | | | | | |
| APPLICATION | CYL # | Misc-Parts, Instructions, etc. | CODE | ROD | BORE | KIT # | |
| MODEL D5H | | | | | | | |
| ARCH LIFT | | | | | | | |
| 7EG1-UP | | | | | | | |
| | 6E0366 | | P-UB-10 | 2-1/2 | 4-3/4 | CTC-2285272 | 121.83 |
| DOZER ANGLING | | | | | | | |
| 7EG1-UP | | | | | | | |
| | 9T9273 | | P-UB-10 | 2 | 4 | CTC-2339205 | 59.01 |
| DOZER LIFT | | | | | | | |
| 7EG1-UP | | | | | | | |
| | 6E0367 | | P-UB-10 | 2-1/4 | 4-1/2 | CTC-3110662 | 94.49 |
| DOZER TILT | | | | | | | |
| 7EG1-UP | | | | | | | |
| | 9T9558 | | P-UB-10 | 2-1/4 | 4-3/4 | CTC-2417580 | 228.17 |
| GRAPPLE | | | | | | | |
| 7EG1-UP | | | | | | | |
| | 1030258 | | P-UB-10 | 2 | 4 | CTC-8C9353 | 81.13 |
| | 1030972 | | P-UB-10 | 2 | 4-1/2 | CTC-8C9438 | 102.44 |
| | 1034254 | | P-UB-10 | 3 | 5 | CTC-SK100012 | 176.10 |
| | 8C9412 | | P-UB-10 | 2 | 4 | CTC-8C9353 | 81.13 |
| | 8C9429 | | P-UB-10 | 2 | 4-1/2 | CTC-8C9438 | 102.44 |

REPLACEMENT KITS FOR CATERPILLAR® EQUIPMENT

| Forestry - Tree Harvesters | | | | | | | |
|----------------------------|--------------------|--------------------------------|---------|-------|-------|--------------|--------|
| APPLICATION | CYL # | Misc-Parts, Instructions, etc. | CODE | ROD | BORE | KIT # | |
| MODEL 550 | | | | | | | |
| BOOM LIFT | | | | | | | |
| | 7ZN1-UP; SAW1-UP | | | | | | |
| | 1602678 | | P-UB-10 | 2-1/2 | 4-1/4 | CTC-2341951 | 226.86 |
| PENDULUM ARM | | | | | | | |
| | 7ZN1-UP; SAW1-UP | | | | | | |
| | 1602676 | | P-UB-10 | 2-1/2 | 4-3/4 | CTC-2341948 | 124.29 |
| | 1602677 | | P-UB-10 | 2-1/2 | 4-3/4 | CTC-2341948 | 124.29 |
| STEERING | | | | | | | |
| | 7ZN149-UP; SAW1-UP | | | | | | |
| | 1602675 | | P-UB-10 | 2 | 3-1/2 | CTC-2281778 | 106.58 |
| STICK | | | | | | | |
| | 7ZN153-UP; SAW1-UP | | | | | | |
| | 1717597 | | P-UB-10 | 2-1/2 | 5-1/2 | CTC-SK100009 | 100.66 |
| MODEL 550B | | | | | | | |
| BOOM LIFT | | | | | | | |
| | 7ZN1-UP; SAW1-UP | | | | | | |
| | 1602678 | | P-UB-10 | 2-1/2 | 4-1/4 | CTC-2341951 | 226.86 |
| PENDULUM ARM | | | | | | | |
| | 7ZN1-UP; SAW1-UP | | | | | | |
| | 1602676 | | P-UB-10 | 2-1/2 | 4-3/4 | CTC-2341948 | 124.29 |
| | 1602677 | | P-UB-10 | 2-1/2 | 4-3/4 | CTC-2341948 | 124.29 |
| STEERING | | | | | | | |
| | 7ZN149-UP; SAW1-UP | | | | | | |
| | 1602675 | | P-UB-10 | 2 | 3-1/2 | CTC-2281778 | 106.58 |
| STICK | | | | | | | |
| | 7ZN153-UP; SAW1-UP | | | | | | |
| | 1717597 | | P-UB-10 | 2-1/2 | 5-1/2 | CTC-SK100009 | 100.66 |
| MODEL 560B | | | | | | | |
| BOOM LIFT | | | | | | | |
| | TRA1-UP | | | | | | |
| | | | P-UB-10 | 2-1/2 | 4-1/4 | CTC-2341951 | 226.86 |
| PENDULUM ARM | | | | | | | |
| | TRA1-UP | | | | | | |
| | | | P-UB-10 | 2-1/2 | 4-3/4 | CTC-2341948 | 124.29 |
| STEERING | | | | | | | |
| | TRA1-UP | | | | | | |
| | | | P-UB-10 | 2 | 3-1/2 | CTC-2281778 | 106.58 |
| STICK | | | | | | | |
| | TRA1-UP | | | | | | |
| | | | P-UB-10 | 2-1/2 | 5-1/2 | CTC-SK100009 | 100.66 |
| MODEL 570 | | | | | | | |
| BOOM LIFT | | | | | | | |
| | 4XR1-UP; CKG1-UP | | | | | | |
| | 1602678 | | P-UB-10 | 2-1/2 | 4-1/4 | CTC-2341951 | 226.86 |
| PENDULUM ARM | | | | | | | |
| | 4XR1-UP; CKG1-UP | | | | | | |
| | 1602676 | | P-UB-10 | 2-1/2 | 4-3/4 | CTC-2341948 | 124.29 |
| | 1602677 | | P-UB-10 | 2-1/2 | 4-3/4 | CTC-2341948 | 124.29 |
| STEERING | | | | | | | |
| | 4XR198-UP; CKG1-UP | | | | | | |
| | 1602675 | | P-UB-10 | 2 | 3-1/2 | CTC-2281778 | 106.58 |
| STICK | | | | | | | |
| | 4XR198-UP; CKG1-UP | | | | | | |
| | 1717597 | | P-UB-10 | 2-1/2 | 5-1/2 | CTC-SK100009 | 100.66 |
| | 2022488 | | P-UB-10 | 2-1/2 | 5-1/2 | CTC-SK100009 | 100.66 |

REPLACEMENT KITS FOR CATERPILLAR® EQUIPMENT

| Forestry - Tree Harvesters | | | | | | | |
|---|---------|--------------------------------|---------|-------|-------|--------------|--------|
| APPLICATION | CYL # | Misc-Parts, Instructions, etc. | CODE | ROD | BORE | KIT # | |
| MODEL 570B | | | | | | | |
| BOOM LIFT | | | | | | | |
| | | 4XR1-UP; CKG1-UP | | | | | |
| | 1602678 | | P-UB-10 | 2-1/2 | 4-1/4 | CTC-2341951 | 226.86 |
| PENDULUM ARM | | | | | | | |
| | | 4XR1-UP; CKG1-UP | | | | | |
| | 1602676 | | P-UB-10 | 2-1/2 | 4-3/4 | CTC-2341948 | 124.29 |
| | 1602677 | | P-UB-10 | 2-1/2 | 4-3/4 | CTC-2341948 | 124.29 |
| STEERING | | | | | | | |
| | | 4XR198-UP; CKG1-UP | | | | | |
| | 1602675 | | P-UB-10 | 2 | 3-1/2 | CTC-2281778 | 106.58 |
| STICK | | | | | | | |
| | | 4XR198-UP; CKG1-UP | | | | | |
| | 1717597 | | P-UB-10 | 2-1/2 | 5-1/2 | CTC-SK100009 | 100.66 |
| | 2022488 | | P-UB-10 | 2-1/2 | 5-1/2 | CTC-SK100009 | 100.66 |
| MODEL 580 | | | | | | | |
| BOOM LIFT | | | | | | | |
| | | 7CN1-UP; CLT1-UP | | | | | |
| | 1602678 | | P-UB-10 | 2-1/2 | 4-1/4 | CTC-2341951 | 226.86 |
| PENDULUM ARM | | | | | | | |
| | | 7CN1-UP; CLT1-UP | | | | | |
| | 1602676 | | P-UB-10 | 2-1/2 | 4-3/4 | CTC-2341948 | 124.29 |
| | 1602677 | | P-UB-10 | 2-1/2 | 4-3/4 | CTC-2341948 | 124.29 |
| STEERING | | | | | | | |
| | | 7CN173-UP; CLT1-UP | | | | | |
| | 1602675 | | P-UB-10 | 2 | 3-1/2 | CTC-2281778 | 106.58 |
| STICK | | | | | | | |
| | | 7CN179-UP; CLT1-UP | | | | | |
| | 1717597 | | P-UB-10 | 2-1/2 | 5-1/2 | CTC-SK100009 | 100.66 |
| | 2022488 | | P-UB-10 | 2-1/2 | 5-1/2 | CTC-SK100009 | 100.66 |
| MODEL 580B | | | | | | | |
| BOOM LIFT | | | | | | | |
| | | 7CN1-UP; CLT1-UP | | | | | |
| | 1602678 | | P-UB-10 | 2-1/2 | 4-1/4 | CTC-2341951 | 226.86 |
| PENDULUM ARM | | | | | | | |
| | | 7CN1-UP; CLT1-UP | | | | | |
| | 1602676 | | P-UB-10 | 2-1/2 | 4-3/4 | CTC-2341948 | 124.29 |
| | 1602677 | | P-UB-10 | 2-1/2 | 4-3/4 | CTC-2341948 | 124.29 |
| STEERING | | | | | | | |
| | | 7CN173-UP; CLT1-UP | | | | | |
| | 1602675 | | P-UB-10 | 2 | 3-1/2 | CTC-2281778 | 106.58 |
| STICK | | | | | | | |
| | | 7CN179-UP; CLT1-UP | | | | | |
| | 1717597 | | P-UB-10 | 2-1/2 | 5-1/2 | CTC-SK100009 | 100.66 |
| | 2022488 | | P-UB-10 | 2-1/2 | 5-1/2 | CTC-SK100009 | 100.66 |
| Forestry - Wheel Feller Bunchers | | | | | | | |
| APPLICATION | CYL # | Misc-Parts, Instructions, etc. | CODE | ROD | BORE | KIT # | |
| MODEL 533 | | | | | | | |
| LIFT | | | | | | | |
| | | CDR1-UP | | | | | |
| | | | P-UB-10 | 2-1/2 | 4 | CTC-SK100007 | 62.04 |
| STEERING | | | | | | | |
| | | CDR1-UP | | | | | |
| | | | P-UB-10 | 1-3/4 | 3 | CTC-2275350 | 45.88 |

REPLACEMENT KITS FOR CATERPILLAR® EQUIPMENT

| Forestry - Wheel Feller Bunchers | | | | | | | |
|---------------------------------------|---------|--------------------------------|------------|-------|-------|--------------|--------|
| APPLICATION | CYL # | Misc-Parts, Instructions, etc. | CODE | ROD | BORE | KIT # | |
| MODEL 533 | | | | | | | |
| TILT | | | | | | | |
| CDR1-UP | | | | | | | |
| | 2156717 | | P-UB-10 | 2-1/2 | 4 | CTC-SK100007 | 62.04 |
| | 2249878 | | P-UB-10,12 | 2-1/2 | 4 | CTC-SK100008 | 415.16 |
| MODEL 543 | | | | | | | |
| LIFT | | | | | | | |
| ASJ1-UP | | | | | | | |
| | | | P-UB-10 | 2-1/2 | 4 | CTC-SK100007 | 62.04 |
| STEERING | | | | | | | |
| ASJ1-UP | | | | | | | |
| | | | P-UB-10 | 1-3/4 | 3 | CTC-2275350 | 45.88 |
| TILT | | | | | | | |
| ASJ1-UP | | | | | | | |
| | 2156717 | | P-UB-10 | 2-1/2 | 4 | CTC-SK100007 | 62.04 |
| | 2249878 | | P-UB-10,12 | 2-1/2 | 4 | CTC-SK100008 | 415.16 |
| MODEL 553C | | | | | | | |
| LIFT | | | | | | | |
| PGR1-UP; W531-UP | | | | | | | |
| | 3644635 | | P-UB-1 | 2-1/2 | | CTC-3770612 | 162.47 |
| | 3644635 | | N-N-14 | | 4 | CTC-3770613 | 74.87 |
| SC-57 CENTER POST SAW ACCUMULATOR ARM | | | | | | | |
| A271-UP; PAW1-UP | | | | | | | |
| | 3306045 | | P-UB-1 | 2 | | CTC-3469028 | 77.74 |
| | 3306045 | | N-N-14 | | 3-1/2 | CTC-3469030 | 64.92 |
| SC-57 CENTER POST SAW GRAPPLE ARM | | | | | | | |
| A271-UP; PAW1-UP | | | | | | | |
| | 3306045 | | P-UB-1 | 2 | | CTC-3469028 | 77.74 |
| | 3306045 | | N-N-14 | | 3-1/2 | CTC-3469030 | 64.92 |
| SH-56B BUNCHING SAW ACCUMULATOR ARM | | | | | | | |
| A821-UP; PYW1-UP | | | | | | | |
| | 3743574 | | P-UB-1 | 2 | | CTC-3707995 | 91.17 |
| | 3743574 | | N-N-14 | | 3-1/2 | CTC-3469030 | 64.92 |
| SH-56B BUNCHING SAW GRAPPLE ARM | | | | | | | |
| A821-UP; PYW1-UP | | | | | | | |
| | 3748220 | | P-UB-1 | 2 | | CTC-3707995 | 91.17 |
| | 3748220 | | N-N-14 | | 3-1/2 | CTC-3469030 | 64.92 |
| SS-56 FELLING SAW ACCUMULATOR ARM | | | | | | | |
| 1111-UP | | | | | | | |
| | 4351313 | | P-UB-1 | 2 | | CTC-3469028 | 77.74 |
| | 4351313 | | N-N-14 | | 3-1/2 | CTC-3469030 | 64.92 |
| SS-56 FELLING SAW GRAPPLE ARM | | | | | | | |
| 1111-UP | | | | | | | |
| | 4351313 | | P-UB-1 | 2 | | CTC-3469028 | 77.74 |
| | 4351313 | | N-N-14 | | 3-1/2 | CTC-3469030 | 64.92 |
| SS-56 FELLING SAW GUARD | | | | | | | |
| 1111-UP | | | | | | | |
| | 4351461 | | P-UB-1 | 1-1/2 | | CTC-4351466 | 95.36 |
| STEERING | | | | | | | |
| PGR1-UP; W531-UP | | | | | | | |
| | 3644636 | | P-UB-1 | 2 | | CTC-3707995 | 91.17 |
| | 3644636 | | N-N-14 | | 3-1/2 | CTC-4306989 | 172.47 |
| TILT | | | | | | | |
| PGR1-UP; W531-UP | | | | | | | |
| | 3644634 | | P-UB-1 | 2-1/2 | | CTC-3770612 | 162.47 |
| | 3644634 | | N-N-14 | | 4 | CTC-3770613 | 74.87 |

REPLACEMENT KITS FOR CATERPILLAR® EQUIPMENT

| Forestry - Wheel Feller Bunchers | | | | | | | |
|---------------------------------------|---------|--------------------------------|--------|-------|-------|-------------|--------|
| APPLICATION | CYL # | Misc-Parts, Instructions, etc. | CODE | ROD | BORE | KIT # | |
| MODEL 563C | | | | | | | |
| LIFT | | | | | | | |
| JCB1-UP; W631-UP | | | | | | | |
| | 3644635 | | P-UB-1 | 2-1/2 | | CTC-3770612 | 162.47 |
| | 3644635 | | N-N-14 | | 4 | CTC-3770613 | 74.87 |
| SC-57 CENTER POST SAW ACCUMULATOR ARM | | | | | | | |
| A271-UP; PAW1-UP | | | | | | | |
| | 3306045 | | P-UB-1 | 2 | | CTC-3469028 | 77.74 |
| | 3306045 | | N-N-14 | | 3-1/2 | CTC-3469030 | 64.92 |
| SC-57 CENTER POST SAW GRAPPLE ARM | | | | | | | |
| A271-UP; PAW1-UP | | | | | | | |
| | 3306045 | | P-UB-1 | 2 | | CTC-3469028 | 77.74 |
| | 3306045 | | N-N-14 | | 3-1/2 | CTC-3469030 | 64.92 |
| SH-56B BUNCHING SAW ACCUMULATOR ARM | | | | | | | |
| A821-UP; PYW1-UP | | | | | | | |
| | 3743574 | | P-UB-1 | 2 | | CTC-3707995 | 91.17 |
| | 3743574 | | N-N-14 | | 3-1/2 | CTC-3469030 | 64.92 |
| SH-56B BUNCHING SAW GRAPPLE ARM | | | | | | | |
| A821-UP; PYW1-UP | | | | | | | |
| | 3748220 | | P-UB-1 | 2 | | CTC-3707995 | 91.17 |
| | 3748220 | | N-N-14 | | 3-1/2 | CTC-3469030 | 64.92 |
| SS-56 FELLING SAW ACCUMULATOR ARM | | | | | | | |
| 1111-UP | | | | | | | |
| | 4351313 | | P-UB-1 | 2 | | CTC-3469028 | 77.74 |
| | 4351313 | | N-N-14 | | 3-1/2 | CTC-3469030 | 64.92 |
| SS-56 FELLING SAW GRAPPLE ARM | | | | | | | |
| 1111-UP | | | | | | | |
| | 4351313 | | P-UB-1 | 2 | | CTC-3469028 | 77.74 |
| | 4351313 | | N-N-14 | | 3-1/2 | CTC-3469030 | 64.92 |
| SS-56 FELLING SAW GUARD | | | | | | | |
| 1111-UP | | | | | | | |
| | 4351461 | | P-UB-1 | 1-1/2 | | CTC-4351466 | 95.36 |
| STEERING | | | | | | | |
| JCB1-UP; W631-UP | | | | | | | |
| | 3644636 | | P-UB-1 | 2 | | CTC-3707995 | 91.17 |
| | 3644636 | | N-N-14 | | 3-1/2 | CTC-4306989 | 172.47 |
| TILT | | | | | | | |
| JCB1-UP; W631-UP | | | | | | | |
| | 3644634 | | P-UB-1 | 2-1/2 | | CTC-3770612 | 162.47 |
| | 3644634 | | N-N-14 | | 4 | CTC-3770613 | 74.87 |
| MODEL 563D | | | | | | | |
| HFW221 FELLING SAW ACCUMULATOR ARM | | | | | | | |
| HW31-UP | | | | | | | |
| | 3306045 | | P-UB-1 | 2 | | CTC-3469028 | 77.74 |
| | 3306045 | | N-N-14 | | 3-1/2 | CTC-3469030 | 64.92 |
| HFW221 FELLING SAW GRAPPLE ARM | | | | | | | |
| HW31-UP | | | | | | | |
| | 3306045 | | P-UB-1 | 2 | | CTC-3469028 | 77.74 |
| | 3306045 | | N-N-14 | | 3-1/2 | CTC-3469030 | 64.92 |
| HFW222-SC FELLING SAW ACCUMULATOR ARM | | | | | | | |
| HW21-UP | | | | | | | |
| | 4351313 | | P-UB-1 | 2 | | CTC-3469028 | 77.74 |
| | 4351313 | | N-N-14 | | 3-1/2 | CTC-3469030 | 64.92 |
| HFW222-SC FELLING SAW GRAPPLE ARM | | | | | | | |
| HW21-UP | | | | | | | |
| | 4351313 | | P-UB-1 | 2 | | CTC-3469028 | 77.74 |
| | 4351313 | | N-N-14 | | 3-1/2 | CTC-3469030 | 64.92 |

CATERPILLAR®

REPLACEMENT KITS FOR CATERPILLAR® EQUIPMENT

| Forestry - Wheel Feller Bunchers | | | | | | | |
|---------------------------------------|---------|--------------------------------|---------|-------|-------|-------------|--------|
| APPLICATION | CYL # | Misc-Parts, Instructions, etc. | CODE | ROD | BORE | KIT # | |
| MODEL 563D | | | | | | | |
| HFV222-SC FELLING SAW GUARD | | | | | | | |
| HW21-UP | | | | | | | |
| | 4351461 | | P-UB-1 | 1-1/2 | | CTC-4351466 | 95.36 |
| HFV232 BUNCHING SAW COLLECTOR ARM | | | | | | | |
| HH81000-UP | | | | | | | |
| | 5764831 | | P-UB-10 | 60 mm | 90 mm | CTC-5037834 | 157.25 |
| HH81-999 | | | | | | | |
| | 5326118 | | P-UB-10 | 60 mm | 90 mm | CTC-5037834 | 157.25 |
| HH81-UP | | | | | | | |
| | 4988415 | | P-UB-10 | 60 mm | 90 mm | CTC-5037834 | 157.25 |
| HFV232 BUNCHING SAW GRAPPLE ARM | | | | | | | |
| HH81000-UP | | | | | | | |
| | 5764831 | | P-UB-10 | 60 mm | 90 mm | CTC-5037834 | 157.25 |
| HH81-999 | | | | | | | |
| | 5326118 | | P-UB-10 | 60 mm | 90 mm | CTC-5037834 | 157.25 |
| HH81-UP | | | | | | | |
| | 4988415 | | P-UB-10 | 60 mm | 90 mm | CTC-5037834 | 157.25 |
| LIFT | | | | | | | |
| D631-UP | | | | | | | |
| | 3644635 | | P-UB-1 | 2-1/2 | | CTC-3770612 | 162.47 |
| | 3644635 | | N-N-14 | | 4 | CTC-3770613 | 74.87 |
| STEERING | | | | | | | |
| D631-UP | | | | | | | |
| | 3644636 | | P-UB-1 | 2 | | CTC-3707995 | 91.17 |
| | 3644636 | | N-N-14 | | 3-1/2 | CTC-4306989 | 172.47 |
| TILT | | | | | | | |
| D631-UP | | | | | | | |
| | 3644634 | | P-UB-1 | 2-1/2 | | CTC-3770612 | 162.47 |
| | 3644634 | | N-N-14 | | 4 | CTC-3770613 | 74.87 |
| MODEL 573C | | | | | | | |
| LIFT | | | | | | | |
| RJT1-UP; W731-UP | | | | | | | |
| | 3644635 | | P-UB-1 | 2-1/2 | | CTC-3770612 | 162.47 |
| | 3644635 | | N-N-14 | | 4 | CTC-3770613 | 74.87 |
| SC-57 CENTER POST SAW ACCUMULATOR ARM | | | | | | | |
| A271-UP; PAW1-UP | | | | | | | |
| | 3306045 | | P-UB-1 | 2 | | CTC-3469028 | 77.74 |
| | 3306045 | | N-N-14 | | 3-1/2 | CTC-3469030 | 64.92 |
| SC-57 CENTER POST SAW GRAPPLE ARM | | | | | | | |
| A271-UP; PAW1-UP | | | | | | | |
| | 3306045 | | P-UB-1 | 2 | | CTC-3469028 | 77.74 |
| | 3306045 | | N-N-14 | | 3-1/2 | CTC-3469030 | 64.92 |
| SH-56B BUNCHING SAW ACCUMULATOR ARM | | | | | | | |
| A821-UP; PYW1-UP | | | | | | | |
| | 3743574 | | P-UB-1 | 2 | | CTC-3707995 | 91.17 |
| | 3743574 | | N-N-14 | | 3-1/2 | CTC-3469030 | 64.92 |
| SH-56B BUNCHING SAW GRAPPLE ARM | | | | | | | |
| A821-UP; PYW1-UP | | | | | | | |
| | 3748220 | | P-UB-1 | 2 | | CTC-3707995 | 91.17 |
| | 3748220 | | N-N-14 | | 3-1/2 | CTC-3469030 | 64.92 |
| SS-56 FELLING SAW ACCUMULATOR ARM | | | | | | | |
| 1111-UP | | | | | | | |
| | 4351313 | | P-UB-1 | 2 | | CTC-3469028 | 77.74 |
| | 4351313 | | N-N-14 | | 3-1/2 | CTC-3469030 | 64.92 |

REPLACEMENT KITS FOR CATERPILLAR® EQUIPMENT

| Forestry - Wheel Feller Bunchers | | | | | | | |
|---------------------------------------|-------|--------------------------------|---------|-------|-------|-------------|--------|
| APPLICATION | CYL # | Misc-Parts, Instructions, etc. | CODE | ROD | BORE | KIT # | |
| MODEL 573C | | | | | | | |
| SS-56 FELLING SAW GRAPPLE ARM | | | | | | | |
| 1111-UP | | | | | | | |
| 4351313 | | | P-UB-1 | 2 | | CTC-3469028 | 77.74 |
| 4351313 | | | N-N-14 | | 3-1/2 | CTC-3469030 | 64.92 |
| SS-56 FELLING SAW GUARD | | | | | | | |
| 1111-UP | | | | | | | |
| 4351461 | | | P-UB-1 | 1-1/2 | | CTC-4351466 | 95.36 |
| STEERING | | | | | | | |
| RJT1-UP; W731-UP | | | | | | | |
| 3644636 | | | P-UB-1 | 2 | | CTC-3707995 | 91.17 |
| 3644636 | | | N-N-14 | | 3-1/2 | CTC-4306989 | 172.47 |
| TILT | | | | | | | |
| RJT1-UP; W731-UP | | | | | | | |
| 3644634 | | | P-UB-1 | 2-1/2 | | CTC-3770612 | 162.47 |
| 3644634 | | | N-N-14 | | 4 | CTC-3770613 | 74.87 |
| MODEL 573D | | | | | | | |
| HFW221 FELLING SAW ACCUMULATOR ARM | | | | | | | |
| HW31-UP | | | | | | | |
| 3306045 | | | P-UB-1 | 2 | | CTC-3469028 | 77.74 |
| 3306045 | | | N-N-14 | | 3-1/2 | CTC-3469030 | 64.92 |
| HFW221 FELLING SAW GRAPPLE ARM | | | | | | | |
| HW31-UP | | | | | | | |
| 3306045 | | | P-UB-1 | 2 | | CTC-3469028 | 77.74 |
| 3306045 | | | N-N-14 | | 3-1/2 | CTC-3469030 | 64.92 |
| HFW222-SC FELLING SAW ACCUMULATOR ARM | | | | | | | |
| HW21-UP | | | | | | | |
| 4351313 | | | P-UB-1 | 2 | | CTC-3469028 | 77.74 |
| 4351313 | | | N-N-14 | | 3-1/2 | CTC-3469030 | 64.92 |
| HFW222-SC FELLING SAW GRAPPLE ARM | | | | | | | |
| HW21-UP | | | | | | | |
| 4351313 | | | P-UB-1 | 2 | | CTC-3469028 | 77.74 |
| 4351313 | | | N-N-14 | | 3-1/2 | CTC-3469030 | 64.92 |
| HFW222-SC FELLING SAW GUARD | | | | | | | |
| HW21-UP | | | | | | | |
| 4351461 | | | P-UB-1 | 1-1/2 | | CTC-4351466 | 95.36 |
| HFW232 BUNCHING SAW COLLECTOR ARM | | | | | | | |
| HH81000-UP | | | | | | | |
| 5764831 | | | P-UB-10 | 60 mm | 90 mm | CTC-5037834 | 157.25 |
| HH81-999 | | | | | | | |
| 5326118 | | | P-UB-10 | 60 mm | 90 mm | CTC-5037834 | 157.25 |
| HH81-UP | | | | | | | |
| 4988415 | | | P-UB-10 | 60 mm | 90 mm | CTC-5037834 | 157.25 |
| HFW232 BUNCHING SAW GRAPPLE ARM | | | | | | | |
| HH81000-UP | | | | | | | |
| 5764831 | | | P-UB-10 | 60 mm | 90 mm | CTC-5037834 | 157.25 |
| HH81-999 | | | | | | | |
| 5326118 | | | P-UB-10 | 60 mm | 90 mm | CTC-5037834 | 157.25 |
| HH81-UP | | | | | | | |
| 4988415 | | | P-UB-10 | 60 mm | 90 mm | CTC-5037834 | 157.25 |
| LIFT | | | | | | | |
| D731-UP | | | | | | | |
| 3644635 | | | P-UB-1 | 2-1/2 | | CTC-3770612 | 162.47 |
| 3644635 | | | N-N-14 | | 4 | CTC-3770613 | 74.87 |

REPLACEMENT KITS FOR CATERPILLAR® EQUIPMENT

| Forestry - Wheel Feller Bunchers | | | | | | | |
|----------------------------------|---------|--------------------------------|------------|-------|-------|--------------|--------|
| APPLICATION | CYL # | Misc-Parts, Instructions, etc. | CODE | ROD | BORE | KIT # | |
| MODEL 573D | | | | | | | |
| STEERING | | | | | | | |
| D731-UP | | | | | | | |
| | 3644636 | | P-UB-1 | 2 | | CTC-3707995 | 91.17 |
| | 3644636 | | N-N-14 | | 3-1/2 | CTC-4306989 | 172.47 |
| TILT | | | | | | | |
| D731-UP | | | | | | | |
| | 3644634 | | P-UB-1 | 2-1/2 | | CTC-3770612 | 162.47 |
| | 3644634 | | N-N-14 | | 4 | CTC-3770613 | 74.87 |
| MODEL TK370 | | | | | | | |
| LIFT | | | | | | | |
| WBD1-UP | | | | | | | |
| | | | P-UB-10 | 2-1/2 | 4 | CTC-SK100007 | 62.04 |
| STEERING | | | | | | | |
| WBD1-UP | | | | | | | |
| | | | P-UB-10 | 1-3/4 | 3 | CTC-2275350 | 45.88 |
| TILT | | | | | | | |
| WBD1-UP | | | | | | | |
| | | | P-UB-10,12 | 2-1/2 | 4 | CTC-SK100008 | 415.16 |
| MODEL TK380 | | | | | | | |
| LIFT | | | | | | | |
| WBE1-UP | | | | | | | |
| | | | P-UB-10 | 2-1/2 | 4 | CTC-SK100007 | 62.04 |
| STEERING | | | | | | | |
| WBE1-UP | | | | | | | |
| | | | P-UB-10 | 1-3/4 | 3 | CTC-2275350 | 45.88 |
| TILT | | | | | | | |
| WBE1-UP | | | | | | | |
| | | | P-UB-10,12 | 2-1/2 | 4 | CTC-SK100008 | 415.16 |
| Forestry - Wheel Skidders | | | | | | | |
| APPLICATION | CYL # | Misc-Parts, Instructions, etc. | CODE | ROD | BORE | KIT # | |
| LIFT | | | | | | | |
| 4LR1-UP | | | | | | | |
| | 1117951 | | P-UB-10 | 2 | 4 | CTC-2409538 | 94.69 |
| | 1397547 | | P-UB-10 | 2 | 4 | CTC-2409538 | 94.69 |
| STEERING | | | | | | | |
| 4LR1-UP | | | | | | | |
| | 1117474 | | P-UB-10 | 1-3/4 | 3 | CTC-2275350 | 45.88 |
| | 1117474 | | P-UB-10 | 1-3/4 | 3 | CTC-2405524 | 166.25 |
| | 1117475 | | P-UB-10 | 1-3/4 | 3 | CTC-2275350 | 45.88 |
| | 1117475 | | P-UB-10 | 1-3/4 | 3 | CTC-2405524 | 166.25 |
| ARCH | | | | | | | |
| 3KZ1-UP | | | | | | | |
| | | | P-UB-10 | 2 | 4 | CTC-2618566 | 98.75 |
| BOOM | | | | | | | |
| 3KZ1-UP | | | | | | | |
| | | | P-UB-10 | 2 | 4 | CTC-2618566 | 98.75 |
| GRAPPLE | | | | | | | |
| 1DN1-UP | | | | | | | |
| | 1030258 | | P-UB-10 | 2 | 4 | CTC-8C9353 | 81.13 |
| LIFT | | | | | | | |
| 1DN1-UP | | | | | | | |
| | 1117951 | | P-UB-10 | 2 | 4 | CTC-2409538 | 94.69 |
| | 1397547 | | P-UB-10 | 2 | 4 | CTC-2409538 | 94.69 |
| 3KZ1-UP | | | | | | | |
| | 1600492 | | P-UB-10 | 2-1/4 | 4 | CTC-2418921 | 101.56 |

REPLACEMENT KITS FOR CATERPILLAR® EQUIPMENT

| Forestry - Wheel Skidders | | | | | | | |
|---------------------------|-------|--------------------------------|---------|-------|--------|-------------|--------|
| APPLICATION | CYL # | Misc-Parts, Instructions, etc. | CODE | ROD | BORE | KIT # | |
| MODEL 525 | | | | | | | |
| STEERING | | | | | | | |
| 1DN1-UP | | | | | | | |
| 1117474 | | | P-UB-10 | 1-3/4 | 3 | CTC-2405524 | 166.25 |
| 1117475 | | | P-UB-10 | 1-3/4 | 3 | CTC-2405524 | 166.25 |
| 1DN1-UP; 3KZ1-1039 | | | | | | | |
| 1117474 | | | P-UB-10 | 1-3/4 | 3 | CTC-2275350 | 45.88 |
| 1117475 | | | P-UB-10 | 1-3/4 | 3 | CTC-2275350 | 45.88 |
| 1685239 | | | P-UB-10 | 1-3/4 | 3 | CTC-2275350 | 45.88 |
| 1685241 | | | P-UB-10 | 1-3/4 | 3 | CTC-2275350 | 45.88 |
| 3KZ1040-UP | | | | | | | |
| | | | P-UB-10 | 2 | 3 | CTC-2620981 | 127.90 |
| MODEL 525B | | | | | | | |
| ARCH | | | | | | | |
| 3KZ1-UP | | | | | | | |
| | | | P-UB-10 | 2 | 4 | CTC-2618566 | 98.75 |
| BOOM | | | | | | | |
| 3KZ1-UP | | | | | | | |
| | | | P-UB-10 | 2 | 4 | CTC-2618566 | 98.75 |
| GRAPPLE | | | | | | | |
| 1DN1-UP | | | | | | | |
| 1030258 | | | P-UB-10 | 2 | 4 | CTC-8C9353 | 81.13 |
| LIFT | | | | | | | |
| 1DN1-UP | | | | | | | |
| 1117951 | | | P-UB-10 | 2 | 4 | CTC-2409538 | 94.69 |
| 1397547 | | | P-UB-10 | 2 | 4 | CTC-2409538 | 94.69 |
| 3KZ1-UP | | | | | | | |
| 1600492 | | | P-UB-10 | 2-1/4 | 4 | CTC-2418921 | 101.56 |
| STEERING | | | | | | | |
| 1DN1-UP | | | | | | | |
| 1117474 | | | P-UB-10 | 1-3/4 | 3 | CTC-2405524 | 166.25 |
| 1117475 | | | P-UB-10 | 1-3/4 | 3 | CTC-2405524 | 166.25 |
| 1DN1-UP; 3KZ1-1039 | | | | | | | |
| 1117474 | | | P-UB-10 | 1-3/4 | 3 | CTC-2275350 | 45.88 |
| 1117475 | | | P-UB-10 | 1-3/4 | 3 | CTC-2275350 | 45.88 |
| 1685239 | | | P-UB-10 | 1-3/4 | 3 | CTC-2275350 | 45.88 |
| 1685241 | | | P-UB-10 | 1-3/4 | 3 | CTC-2275350 | 45.88 |
| 3KZ1040-UP | | | | | | | |
| | | | P-UB-10 | 2 | 3 | CTC-2620981 | 127.90 |
| MODEL 525C | | | | | | | |
| ARCH | | | | | | | |
| 5251-UP | | | | | | | |
| | | | P-UB-10 | 2 | 4 | CTC-2618566 | 98.75 |
| BOOM | | | | | | | |
| 5251-UP | | | | | | | |
| | | | P-UB-10 | 2 | 4 | CTC-2618566 | 98.75 |
| GRAPPLE | | | | | | | |
| 5251-UP | | | | | | | |
| 2781194 | | | P-UB-10 | 50 mm | 100 mm | CTC-2976850 | 140.49 |
| 2781765 | | | P-UB-10 | 65 mm | 115 mm | CTC-2976851 | 263.60 |
| LIFT | | | | | | | |
| 5251-UP | | | | | | | |
| | | | P-UB-10 | 2-1/4 | 4 | CTC-2418921 | 101.56 |
| STEERING | | | | | | | |
| 5251-UP | | | | | | | |
| | | | P-UB-10 | 2 | 3-1/2 | CTC-2281778 | 106.58 |

CATERPILLAR®

REPLACEMENT KITS FOR CATERPILLAR® EQUIPMENT

| Forestry - Wheel Skidders | | | | | | | |
|---------------------------|------------------|--------------------------------|---------|-------|--------|--------------|--------|
| APPLICATION | CYL # | Misc-Parts, Instructions, etc. | CODE | ROD | BORE | KIT # | |
| MODEL 525D | | | | | | | |
| ARCH LH | 2L51-UP; GKP1-UP | | | | | | |
| | 4170069 | | P-UB-10 | 2 | 4 | CTC-2618566 | 98.75 |
| ARCH RH | 2L51-UP; GKP1-UP | | | | | | |
| | 4170070 | | P-UB-10 | 2 | 4 | CTC-2618566 | 98.75 |
| BOOM | 2L51-UP; GKP1-UP | | | | | | |
| | 4168963 | | P-UB-10 | 2 | 4 | CTC-2618566 | 98.75 |
| LIFT | 2L51-UP; GKP1-UP | | | | | | |
| | 3799122 | | P-UB-10 | 2-1/4 | 4 | CTC-SK100196 | 116.95 |
| STEERING | 2L51-UP; GKP1-UP | | | | | | |
| | 3857264 | | P-UB-10 | 2 | 3-1/2 | CTC-3769011 | 89.39 |
| TILT | 2L51-UP; GKP1-UP | | | | | | |
| | 3752714 | | P-U-10 | 1-1/4 | 2 | CTC-4555441 | 37.25 |
| TONG | 2L51-UP; GKP1-UP | | | | | | |
| | 4251756 | | P-UB-10 | 65 mm | 115 mm | CTC-3247165 | 231.08 |
| MODEL 535B | | | | | | | |
| ARCH | AAE1-UP | | | | | | |
| | 2003202 | | P-UB-10 | 2 | 4 | CTC-2618566 | 98.75 |
| | 2003204 | | P-UB-10 | 2 | 4 | CTC-2618566 | 98.75 |
| BOOM | AAE1-UP | | | | | | |
| | 2003195 | | P-UB-10 | 2 | 4 | CTC-2618566 | 98.75 |
| LIFT | AAE1-UP | | | | | | |
| | 1600492 | | P-UB-10 | 2-1/4 | 4 | CTC-2418921 | 101.56 |
| STEERING | AAE1-613 | | | | | | |
| | 1685239 | | P-UB-10 | 1-3/4 | 3 | CTC-2275350 | 45.88 |
| | 1685241 | | P-UB-10 | 1-3/4 | 3 | CTC-2275350 | 45.88 |
| | AAE614-UP | | | | | | |
| | | | P-UB-10 | 2 | 3 | CTC-2620981 | 127.90 |
| MODEL 535C | | | | | | | |
| ARCH | 5351-UP | | | | | | |
| | | | P-UB-10 | 2 | 4 | CTC-2618566 | 98.75 |
| BOOM | 5351-UP | | | | | | |
| | | | P-UB-10 | 2 | 4 | CTC-2618566 | 98.75 |
| GRAPPLE | 5351-UP | | | | | | |
| | 2781765 | | P-UB-10 | 65 mm | 115 mm | CTC-2976851 | 263.60 |
| LIFT | 5351-UP | | | | | | |
| | | | P-UB-10 | 2-1/4 | 4 | CTC-2418921 | 101.56 |
| STEERING | 5351-UP | | | | | | |
| | | | P-UB-10 | 2 | 3-1/2 | CTC-2281778 | 106.58 |

REPLACEMENT KITS FOR CATERPILLAR® EQUIPMENT

| Forestry - Wheel Skidders | | | | | | | |
|---------------------------|--------------------|--------------------------------|---------|-------|--------|--------------|--------|
| APPLICATION | CYL # | Misc-Parts, Instructions, etc. | CODE | ROD | BORE | KIT # | |
| MODEL 535D | | | | | | | |
| ARCH LH | | | | | | | |
| | 3L51-643; MTP1-574 | | | | | | |
| | 4170069 | | P-UB-10 | 2 | 4 | CTC-2618566 | 98.75 |
| ARCH RH | | | | | | | |
| | 3L51-643; MTP1-574 | | | | | | |
| | 4170070 | | P-UB-10 | 2 | 4 | CTC-2618566 | 98.75 |
| BLADE LIFT | | | | | | | |
| | 3L51-UP; MTP1-UP | | | | | | |
| | 3799122 | | P-UB-10 | 2-1/4 | 4 | CTC-SK100196 | 116.95 |
| BOOM | | | | | | | |
| | 3L51-643; MTP1-574 | | | | | | |
| | 4168963 | | P-UB-10 | 2 | 4 | CTC-2618566 | 98.75 |
| CAB TILT | | | | | | | |
| | 3L51-UP; MTP1-UP | | | | | | |
| | 3752714 | | P-U-10 | 1-1/4 | 2 | CTC-4555441 | 37.25 |
| STEERING | | | | | | | |
| | 3L51-UP; MTP1-UP | | | | | | |
| | 3857264 | | P-UB-10 | 2 | 3-1/2 | CTC-3769011 | 89.39 |
| TONG | | | | | | | |
| | 3L51-UP; MTP1-UP | | | | | | |
| | 4251756 | | P-UB-10 | 65 mm | 115 mm | CTC-3247165 | 231.08 |
| MODEL 545 | | | | | | | |
| ARCH | | | | | | | |
| | 2FZ1-UP | | | | | | |
| | 2003202 | | P-UB-10 | 2 | 4 | CTC-2618566 | 98.75 |
| | 2003204 | | P-UB-10 | 2 | 4 | CTC-2618566 | 98.75 |
| BOOM | | | | | | | |
| | 2FZ1-UP | | | | | | |
| | 2003195 | | P-UB-10 | 2 | 4 | CTC-2618566 | 98.75 |
| LIFT | | | | | | | |
| | 2FZ1-UP | | | | | | |
| | 1600492 | | P-UB-10 | 2-1/4 | 4 | CTC-2418921 | 101.56 |
| STEERING | | | | | | | |
| | 2FZ1-UP | | | | | | |
| | 1650176 | | P-UB-10 | 2 | 3-1/2 | CTC-2281778 | 106.58 |
| | 1650179 | | P-UB-10 | 2 | 3-1/2 | CTC-2281778 | 106.58 |
| MODEL 545C | | | | | | | |
| ARCH | | | | | | | |
| | 5451-UP | | | | | | |
| | | | P-UB-10 | 2 | 4 | CTC-2618566 | 98.75 |
| BOOM | | | | | | | |
| | 5451-UP | | | | | | |
| | | | P-UB-10 | 2 | 4 | CTC-2618566 | 98.75 |
| LIFT | | | | | | | |
| | 5451-UP | | | | | | |
| | | | P-UB-10 | 2-1/4 | 4 | CTC-2418921 | 101.56 |
| STEERING | | | | | | | |
| | 5451-UP | | | | | | |
| | | | P-UB-10 | 2 | 3-1/2 | CTC-2281778 | 106.58 |
| MODEL 545D | | | | | | | |
| ARCH LH | | | | | | | |
| | 4L51-198; KGP1-344 | | | | | | |
| | 4170069 | | P-UB-10 | 2 | 4 | CTC-2618566 | 98.75 |
| ARCH RH | | | | | | | |
| | 4L51-198; KGP1-344 | | | | | | |
| | 4170070 | | P-UB-10 | 2 | 4 | CTC-2618566 | 98.75 |

REPLACEMENT KITS FOR CATERPILLAR® EQUIPMENT

| Forestry - Wheel Skidders | | | | | | | |
|---------------------------|--------------------|--------------------------------|---------|-------|--------|--------------|---------|
| APPLICATION | CYL # | Misc-Parts, Instructions, etc. | CODE | ROD | BORE | KIT # | |
| MODEL 545D | | | | | | | |
| BLADE LIFT | | | | | | | |
| | 4L51-UP; KGP1-UP | | | | | | |
| | 3799122 | | P-UB-10 | 2-1/4 | 4 | CTC-SK100196 | 116.95 |
| BOOM | | | | | | | |
| | 4L51-198; KGP1-344 | | | | | | |
| | 4168963 | | P-UB-10 | 2 | 4 | CTC-2618566 | 98.75 |
| CAB TILT | | | | | | | |
| | 4L51-UP; KGP1-UP | | | | | | |
| | 3752714 | | P-U-10 | 1-1/4 | 2 | CTC-4555441 | 37.25 |
| STEERING | | | | | | | |
| | 4L51-UP; KGP1-UP | | | | | | |
| | 3857264 | | P-UB-10 | 2 | 3-1/2 | CTC-3769011 | 89.39 |
| TONG | | | | | | | |
| | 4L51-UP; KGP1-UP | | | | | | |
| | 4161346 | | P-UB-10 | 65 mm | 130 mm | CTC-SK100219 | 150.73 |
| Integrated Toolcarriers | | | | | | | |
| APPLICATION | CYL # | Misc-Parts, Instructions, etc. | CODE | ROD | BORE | KIT # | List \$ |
| MODEL IT12F | | | | | | | |
| LIFT | | | | | | | |
| | 6E6398 | | P-UB-10 | 2-1/4 | 3-1/2 | CTC-1859503 | 188.66 |
| | 9T5152 | | P-UB-10 | 2-1/4 | 4 | CTC-1859527 | 157.22 |
| STEERING | | | | | | | |
| | 4T8579 | | I-U-3 | 3/4 | 1-1/2 | CTC-1791715 | 20.72 |
| | 9T5729 | | I-O-3 | 3/4 | 1-1/2 | CTC-1791749 | 7.41 |
| | 9T7209 | Head# 6E4940 | P-UB-10 | 1-1/2 | 2-3/4 | CTC-1361599 | 139.86 |
| | 9T7209 | Head# 9T2542 | P-UB-10 | 1-1/2 | 2-3/4 | CTC-7X2736 | 141.51 |
| | 9T7210 | Head# 6E4940 | P-UB-10 | 1-1/2 | 2-3/4 | CTC-1361599 | 139.86 |
| | 9T7210 | Head# 9T2542 | P-UB-10 | 1-1/2 | 2-3/4 | CTC-7X2736 | 141.51 |
| STEERING LH | | | | | | | |
| | 6E5900 | Head# 1515349 | P-UB-10 | 1-3/4 | 2-3/4 | CTC-1539053 | 190.69 |
| | 6E5900 | Head# 6E4941 | P-UB-10 | 1-3/4 | 2-3/4 | CTC-1857024 | 75.50 |
| | 6E5973 | | P-UB-10 | 1-1/2 | 2-3/4 | CTC-1361599 | 139.86 |
| STEERING RH | | | | | | | |
| | 6E5972 | Head# 1515349 | P-UB-10 | 1-3/4 | 2-3/4 | CTC-1539053 | 190.69 |
| | 6E5972 | Head# 6E4941 | P-UB-10 | 1-3/4 | 2-3/4 | CTC-1857024 | 75.50 |
| | 6E5985 | | P-UB-10 | 1-1/2 | 2-3/4 | CTC-1361599 | 139.86 |
| TILT | | | | | | | |
| | 9T5151 | | P-UB-10 | 2 | 3-1/2 | CTC-1857674 | 141.24 |
| MODEL IT14F | | | | | | | |
| LIFT | | | | | | | |
| | 6E6398 | | P-UB-10 | 2-1/4 | 3-1/2 | CTC-1859503 | 188.66 |
| STEERING | | | | | | | |
| | 4T8579 | | I-U-3 | 3/4 | 1-1/2 | CTC-1791715 | 20.72 |
| | 9T5729 | | I-O-3 | 3/4 | 1-1/2 | CTC-1791749 | 7.41 |
| STEERING LH | | | | | | | |
| | 6E5900 | Head# 1515349 | P-UB-10 | 1-3/4 | 2-3/4 | CTC-1539053 | 190.69 |
| | 6E5900 | Head# 6E4941 | P-UB-10 | 1-3/4 | 2-3/4 | CTC-1857024 | 75.50 |
| STEERING RH | | | | | | | |
| | 6E5972 | Head# 1515349 | P-UB-10 | 1-3/4 | 2-3/4 | CTC-1539053 | 190.69 |
| | 6E5972 | Head# 6E4941 | P-UB-10 | 1-3/4 | 2-3/4 | CTC-1857024 | 75.50 |
| MODEL IT14G | | | | | | | |
| FK | | | | | | | |
| | 1491381 | | P-UB-10 | 2 | 3-1/2 | CTC-1857674 | 141.24 |

REPLACEMENT KITS FOR CATERPILLAR® EQUIPMENT

| Integrated Toolcarriers | | | | | | | |
|-------------------------|---------|--------------------------------|---------|-------|-------|-------------|--------|
| APPLICATION | CYL # | Misc-Parts, Instructions, etc. | CODE | ROD | BORE | KIT # | |
| MODEL IT14G | | | | | | | |
| LIFT | | | | | | | |
| | 1116244 | | P-UB-10 | 2-1/4 | 3-1/2 | CTC-1859503 | 188.66 |
| | 1314401 | | P-UB-10 | 2-1/4 | 3-1/2 | CTC-1859503 | 188.66 |
| | 1314402 | | P-UB-10 | 2-1/4 | 3-1/2 | CTC-1859503 | 188.66 |
| STEERING | | | | | | | |
| | 1044187 | | P-UB-10 | 1-1/2 | 2-1/2 | CTC-1856601 | 71.02 |
| | 4T8579 | | I-U-3 | 3/4 | 1-1/2 | CTC-1791715 | 20.72 |
| | 9T8823 | | I-U-3 | 1 | 2 | CTC-9T0418 | 125.53 |
| MODEL IT24F | | | | | | | |
| LIFT | | | | | | | |
| | 1007020 | Head# 1206679 | P-UB-10 | 2-1/2 | 4-3/4 | CTC-1361131 | 196.39 |
| | 1007020 | Head# 9T3609 | P-UB-10 | 2-1/2 | 4-3/4 | CTC-1864381 | 213.10 |
| | 1341379 | | P-UB-10 | 2-1/2 | 4-3/4 | CTC-1361131 | 196.39 |
| | 1342327 | | P-UB-10 | 2-1/4 | 4 | CTC-1546526 | 196.04 |
| | 9T3937 | | P-UB-10 | 2-1/4 | 4 | CTC-1546526 | 196.04 |
| | 9T8823 | | I-U-3 | 1 | 2 | CTC-9T0418 | 125.53 |
| STEERING | | | | | | | |
| | 9T2637 | | P-UB-10 | 1-1/2 | 2-3/4 | CTC-1361599 | 139.86 |
| TILT | | | | | | | |
| | 1107845 | Head# 1206679 | P-UB-10 | 2-1/2 | 4-1/2 | CTC-1113300 | 187.32 |
| | 1107845 | Head# 9T3609 | P-UB-10 | 2-1/2 | 4-1/2 | CTC-1469860 | 209.92 |
| | 1262492 | | P-UB-10 | 2 | 4 | CTC-1113302 | 163.17 |
| | 1262492 | | P-UB-10 | 2 | 4 | CTC-1857688 | 95.52 |
| | 1341380 | | P-UB-10 | 2 | 4 | CTC-1857688 | 95.52 |
| | 1341381 | | P-UB-10 | 2 | 4 | CTC-1857688 | 95.52 |
| | 1342671 | | P-UB-10 | 2-1/2 | 4-1/2 | CTC-1113300 | 187.32 |
| | 6E1114 | | I-U-3 | 1 | 2 | CTC-9T0418 | 125.53 |
| | 6E4651 | Head# 1206679 | P-UB-10 | 2-1/2 | 4-1/2 | CTC-1113300 | 187.32 |
| | 6E4651 | Head# 9T3609 | P-UB-10 | 2-1/2 | 4-1/2 | CTC-1469860 | 209.92 |
| | 9T7026 | | P-UB-10 | 2 | 4 | CTC-1857688 | 95.52 |
| MODEL IT28F | | | | | | | |
| LIFT | | | | | | | |
| | 1341384 | | P-UB-10 | 2-1/2 | 4-3/4 | CTC-1361131 | 196.39 |
| | 9T6788 | Head# 1206679 | P-UB-10 | 2-1/2 | 4-3/4 | CTC-1361131 | 196.39 |
| | 9T6788 | Head# 9T3609 | P-UB-10 | 2-1/2 | 4-3/4 | CTC-1864381 | 213.10 |
| | 9T8823 | | I-U-3 | 1 | 2 | CTC-9T0418 | 125.53 |
| PIN PULLER | | | | | | | |
| | 6E5393 | | I-U-3 | 1 | 2 | CTC-9T0418 | 125.53 |
| STEERING | | | | | | | |
| | 6E1114 | | I-U-3 | 1 | 2 | CTC-9T0418 | 125.53 |
| | 9T6646 | | P-UB-10 | 1-1/2 | 2-3/4 | CTC-1361599 | 139.86 |
| TILT | | | | | | | |
| | 1341385 | | P-UB-10 | 2 | 4 | CTC-1857688 | 95.52 |
| | 9T6929 | | P-UB-10 | 2 | 4 | CTC-1857688 | 95.52 |
| MODEL IT28G | | | | | | | |
| LIFT | | | | | | | |
| | 1191060 | | P-UB-10 | 2-1/2 | 4-3/4 | CTC-1361131 | 196.39 |
| | 6E1114 | | I-U-3 | 1 | 2 | CTC-9T0418 | 125.53 |
| | 9T8823 | | I-U-3 | 1 | 2 | CTC-9T0418 | 125.53 |
| STEERING LH | | | | | | | |
| | 1250374 | | P-UB-10 | 1-1/2 | 2-3/4 | CTC-1361599 | 139.86 |
| STEERING RH | | | | | | | |
| | 1250373 | | P-UB-10 | 1-1/2 | 2-3/4 | CTC-1856596 | 63.53 |
| TILT | | | | | | | |
| | 1191852 | | P-UB-10 | 2 | 4 | CTC-1857688 | 95.52 |
| | 1273020 | | P-UB-10 | 2 | 4 | CTC-1857688 | 95.52 |

CATERPILLAR®

REPLACEMENT KITS FOR CATERPILLAR® EQUIPMENT

| Integrated Toolcarriers | | | | | | | |
|--------------------------------|------------------|--------------------------------|---------|-------|-------|-------------|--------|
| APPLICATION | CYL # | Misc-Parts, Instructions, etc. | CODE | ROD | BORE | KIT # | |
| MODEL IT38F | | | | | | | |
| LIFT | 1148131 | | P-UB-10 | 3 | 4-3/4 | CTC-1915030 | 222.21 |
| STEERING | 1050094 | | P-UB-10 | 1-3/4 | 3 | CTC-1857025 | 72.85 |
| TILT | 1156963 | | P-UB-10 | 2-3/4 | 4-1/2 | CTC-1933117 | 153.01 |
| MODEL IT38G | | | | | | | |
| LIFT | 1148131 | | P-UB-10 | 3 | 4-3/4 | CTC-1570288 | 223.98 |
| | 1CW1-UP; 7BS1-UP | | | | | | |
| | 1148131 | | P-UB-10 | 3 | 4-3/4 | CTC-2275349 | 136.11 |
| STEERING | 1050094 | | P-UB-10 | 1-3/4 | 3 | CTC-7X2825 | 73.65 |
| | 1393312 | | P-UB-10 | 1-3/4 | 3 | CTC-7X2825 | 73.65 |
| TILT | 1156963 | | P-UB-10 | 2-3/4 | 4-1/2 | CTC-1636105 | 220.34 |
| | 1CW1-UP; 7BS1-UP | | | | | | |
| | 1156963 | | P-UB-10 | 2-3/4 | 4-1/2 | CTC-2275348 | 165.03 |
| MODEL IT62G | | | | | | | |
| LIFT RH | 1188296 | | P-UB-10 | 3 | 6 | CTC-7X2698 | 255.56 |
| | 1250024 | | P-UB-10 | 3 | 6 | CTC-7X2698 | 255.56 |
| STEERING | 1188288 | | P-UB-10 | 1-3/4 | 3-1/2 | CTC-7X2784 | 77.28 |
| TILT | 1349397 | | P-UB-10 | 3 | 5-1/4 | CTC-3E3293 | 243.78 |
| Landfill Compactors | | | | | | | |
| APPLICATION | CYL # | Misc-Parts, Instructions, etc. | CODE | ROD | BORE | KIT # | |
| MODEL 816 | | | | | | | |
| LIFT | 1U2088 | | P-UB-10 | 2-1/2 | 4-3/4 | CTC-7X2660 | 246.36 |
| | 4J9233 | | P-V-10 | 2 | 4-1/2 | CTC-7X2770 | 134.35 |
| PUMP | 15R; 57U; 91P | | | | | | |
| | 9J5067 | | | | | CTC-9J5114 | 36.87 |
| STEERING | 4T1574 | | P-UB-10 | 2 | 4 | CTC-7X2789 | 139.93 |
| STEERING LH | 7J9356 | | P-UB-10 | 2 | 4 | CTC-7X2755 | 156.44 |
| STEERING RH | 7J9355 | | P-UB-10 | 2 | 4 | CTC-7X2755 | 156.44 |
| MODEL 816B | | | | | | | |
| DOZER | 1U2088 | | P-UB-10 | 2-1/2 | 4-3/4 | CTC-1328811 | 209.77 |
| DOZER LIFT | 1U2088 | | P-UB-10 | 2-1/2 | 4-3/4 | CTC-7X2660 | 246.36 |
| STEERING | 4T1574 | | P-UB-10 | 2 | 4 | CTC-1328816 | 127.22 |
| | 6E5024 | | P-UB-10 | 2 | 4 | CTC-1113302 | 163.17 |
| STEERING LH | 7J9356 | | P-UB-10 | 2 | 4 | CTC-7X2755 | 156.44 |
| MODEL 816F | | | | | | | |
| DOZER | 1U2088 | | P-UB-10 | 2-1/2 | 4-3/4 | CTC-1328811 | 209.77 |
| STEERING | 4T1574 | | P-UB-10 | 2 | 4 | CTC-1328816 | 127.22 |
| | 6E5024 | | P-UB-10 | 2 | 4 | CTC-1113302 | 163.17 |

REPLACEMENT KITS FOR CATERPILLAR® EQUIPMENT

| Landfill Compactors | | | | | | | |
|-----------------------------|------------|--------------------------------|---------|-------|-------|-------------|--------|
| APPLICATION | CYL # | Misc-Parts, Instructions, etc. | CODE | ROD | BORE | KIT # | |
| MODEL 826B | | | | | | | |
| LIFT | | | | | | | |
| | 7K9401 | | P-UB-10 | 2-1/4 | 5 | CTC-7X2729 | 222.67 |
| | 8J2650 | | P-UB-10 | 2 | 4-1/2 | CTC-7X2768 | 121.61 |
| | 9J7111 | | P-UB-10 | 2-1/2 | 5-1/2 | CTC-7X2653 | 222.82 |
| STEERING | | | | | | | |
| | 7J9718 | | P-UB-10 | 2-1/4 | 5 | CTC-7X2729 | 222.67 |
| STEERING LH | | | | | | | |
| | 9J7087 | | P-UB-10 | 2-1/4 | 5 | CTC-7X2729 | 222.67 |
| STEERING RH | | | | | | | |
| | 9J7086 | | P-UB-10 | 2-1/4 | 5 | CTC-7X2729 | 222.67 |
| MODEL 826C | | | | | | | |
| LIFT | | | | | | | |
| | 8J2650 | | P-UB-10 | 2 | 4-1/2 | CTC-7X2768 | 121.61 |
| | 9J7111 | | P-UB-10 | 2-1/2 | 5-1/2 | CTC-7X2653 | 222.82 |
| STEERING | | | | | | | |
| | 9J7086 | | P-UB-10 | 2-1/4 | 5 | CTC-9X6392 | 219.47 |
| | 9J7087 | | P-UB-10 | 2-1/4 | 5 | CTC-9X6392 | 219.47 |
| MODEL 826G | | | | | | | |
| DOZER | | | | | | | |
| | 1164842 | | P-UB-10 | 3 | 4-3/4 | CTC-1570288 | 223.98 |
| STEERING | | | | | | | |
| | 1175151 | | P-UB-10 | 2-1/2 | 4-1/2 | CTC-1113300 | 187.32 |
| MODEL 836, 836C | | | | | | | |
| LIFT | | | | | | | |
| | 6J1272 | | P-V-10 | 2-1/2 | 6-1/2 | CTC-7X2676 | 150.11 |
| STEERING | | | | | | | |
| | 9J8165 | | P-UB-10 | 2-1/4 | 5 | CTC-9X6392 | 219.47 |
| Loaders - Skid Steer | | | | | | | |
| APPLICATION | CYL # | Misc-Parts, Instructions, etc. | CODE | ROD | BORE | KIT # | |
| MODEL 226 | | | | | | | |
| ANGLE BLADE | | | | | | | |
| | 5FZ1-UP | | | | | | |
| | 2259521 | | P-U-10 | 32 mm | 63 mm | CTC-1771958 | 94.81 |
| BUCKET | | | | | | | |
| | 5FZ1-UP | | | | | | |
| | 2781969 | | I-U-10 | 30 mm | 60 mm | CTC-2781970 | 66.84 |
| | 2936264 | | I-U-10 | 30 mm | 50 mm | CTC-2620941 | 34.55 |
| BUCKET MP | | | | | | | |
| | 5FZ1-UP | | | | | | |
| | 1545018 | | P-U-10 | 30 mm | 60 mm | CTC-1643213 | 91.04 |
| GRAPPLE | | | | | | | |
| | 5FZ1-11443 | | | | | | |
| | 2781975 | | I-U-10 | 30 mm | 60 mm | CTC-2781970 | 66.84 |
| | 5FZ1-UP | | | | | | |
| | 1565512 | | P-U-10 | 30 mm | 60 mm | CTC-1643213 | 91.04 |
| | 1649295 | | P-U-10 | 25 mm | 40 mm | CTC-1725285 | 78.24 |
| LIFT LH | | | | | | | |
| | 5FZ1-UP | | | | | | |
| | 1428961 | | I-U-10 | 35 mm | 50 mm | CTC-1428962 | 68.42 |
| LIFT RH | | | | | | | |
| | 5FZ1-UP | | | | | | |
| | 1428960 | | I-U-10 | 35 mm | 50 mm | CTC-1428962 | 68.42 |
| TILT LH | | | | | | | |
| | 5FZ1-2158 | | | | | | |
| | 1428956 | | P-U-10 | 30 mm | 65 mm | CTC-1428963 | 135.74 |

CATERPILLAR®

REPLACEMENT KITS FOR CATERPILLAR® EQUIPMENT

| Loaders - Skid Steer | | | | | | | |
|----------------------|----------------------------|--------------------------------|--------|-------|-------|-------------|--------|
| APPLICATION | CYL # | Misc-Parts, Instructions, etc. | CODE | ROD | BORE | KIT # | |
| MODEL 226 | | | | | | | |
| TILT LH | | | | | | | |
| | 5FZ2159-UP | | | | | | |
| | 1779569 | | P-U-10 | 30 mm | 65 mm | CTC-1428963 | 135.74 |
| TILT RH | | | | | | | |
| | 5FZ1-2158 | | | | | | |
| | 1428955 | | P-U-10 | 30 mm | 65 mm | CTC-1428963 | 135.74 |
| | 5FZ2159-UP | | | | | | |
| | 1779568 | | P-U-10 | 30 mm | 65 mm | CTC-1428963 | 135.74 |
| MODEL 226B | | | | | | | |
| ANGLE BLADE | | | | | | | |
| | MJH1-UP | | | | | | |
| | 2259521 | | P-U-10 | 32 mm | 63 mm | CTC-1771958 | 94.81 |
| | 2749930 | | I-U-10 | 35 mm | 70 mm | CTC-2666140 | 56.16 |
| BUCKET | | | | | | | |
| | MJH1-10574 | | | | | | |
| | 1545018 | | P-U-10 | 30 mm | 60 mm | CTC-1643213 | 91.04 |
| | 2781969 | | I-U-10 | 30 mm | 60 mm | CTC-2781970 | 66.84 |
| | 2936264 | | I-U-10 | 30 mm | 50 mm | CTC-2620941 | 34.55 |
| GRAPPLE | | | | | | | |
| | MJH1-10574 | | | | | | |
| | 1565512 | | P-U-10 | 30 mm | 60 mm | CTC-1643213 | 91.04 |
| | 1649295 | | P-U-10 | 25 mm | 40 mm | CTC-1725285 | 78.24 |
| | 2781975 | | I-U-10 | 30 mm | 60 mm | CTC-2781970 | 66.84 |
| LIFT LH | | | | | | | |
| | MJH1-10574 | | | | | | |
| | 2303683 | | P-U-10 | 35 mm | 50 mm | CTC-2186826 | 52.22 |
| LIFT RH | | | | | | | |
| | MJH1-10574 | | | | | | |
| | 2303693 | | P-U-10 | 35 mm | 50 mm | CTC-2186826 | 52.22 |
| TILT | | | | | | | |
| | MJH1-UP | | | | | | |
| | 2749931 | | I-U-10 | 35 mm | 70 mm | CTC-2666140 | 56.16 |
| TILT LH | | | | | | | |
| | MJH1-10574 | | | | | | |
| | 2303684 | | P-U-10 | 30 mm | 65 mm | CTC-2186825 | 78.42 |
| TILT RH | | | | | | | |
| | MJH1-10574 | | | | | | |
| | 2303694 | | P-U-10 | 30 mm | 65 mm | CTC-2186825 | 78.42 |
| MODEL 226B2 | | | | | | | |
| BUCKET | | | | | | | |
| | MJH10575-UP | | | | | | |
| | 2781969 | | I-U-10 | 30 mm | 60 mm | CTC-2781970 | 66.84 |
| | 2936264 | | I-U-10 | 30 mm | 50 mm | CTC-2620941 | 34.55 |
| GRAPPLE | | | | | | | |
| | MJH10575-UP | | | | | | |
| | 1649295 | | P-U-10 | 25 mm | 40 mm | CTC-1725285 | 78.24 |
| | 2781975 | | I-U-10 | 30 mm | 60 mm | CTC-2781970 | 66.84 |
| GRAPPLE RH | | | | | | | |
| | MJH10575-UP | | | | | | |
| | 2550943 | | I-U-10 | 25 mm | 40 mm | CTC-2863591 | 28.31 |
| LIFT LH | | | | | | | |
| | MJH10575-15087;15094-15156 | | | | | | |
| | 2303683 | | P-U-10 | 35 mm | 50 mm | CTC-2186826 | 52.22 |
| | MJH15088-15093;15157-UP | | | | | | |
| | 2935706 | | P-U-10 | 35 mm | 50 mm | CTC-3712697 | 56.51 |

REPLACEMENT KITS FOR CATERPILLAR® EQUIPMENT

| Loaders - Skid Steer | | | | | | | |
|----------------------|---------|---|---------|-------|-------|-------------|-------|
| APPLICATION | CYL # | Misc-Parts, Instructions, etc. | CODE | ROD | BORE | KIT # | |
| MODEL 226B2 | | | | | | | |
| LIFT RH | | | | | | | |
| | | MJH10575-15087;15094-15156 | | | | | |
| | 2303693 | | P-U-10 | 35 mm | 50 mm | CTC-2186826 | 52.22 |
| | | MJH15088-15093;15157-UP | | | | | |
| | 2935705 | | P-U-10 | 35 mm | 50 mm | CTC-3712697 | 56.51 |
| TILT LH | | | | | | | |
| | | MJH10575-15087;15094-15156 | | | | | |
| | 2303684 | | P-U-10 | 30 mm | 65 mm | CTC-2186825 | 78.42 |
| TILT RH | | | | | | | |
| | | MJH10575-15087;15094-15156 | | | | | |
| | 2303694 | | P-U-10 | 30 mm | 65 mm | CTC-2186825 | 78.42 |
| | | MJH15088-15093;15157-UP | | | | | |
| | 2935707 | | P-U-10 | 30 mm | 65 mm | CTC-3712718 | 62.84 |
| MODEL 226B3 | | | | | | | |
| ANGLE BLADE | | | | | | | |
| | | AS21-UP; MWD1-UP; SNA1-UP | | | | | |
| | 2749930 | | I-U-10 | 35 mm | 70 mm | CTC-2666140 | 56.16 |
| | | MWD1-UP; SNA1-UP | | | | | |
| | 2259521 | | P-U-10 | 32 mm | 63 mm | CTC-1771958 | 94.81 |
| BUCKET | | | | | | | |
| | | AS21-UP; DXZ1-UP; F3D1-UP; MWD1-UP; SNA1-UP | | | | | |
| | 2781969 | | I-U-10 | 30 mm | 60 mm | CTC-2781970 | 66.84 |
| | | AS21-UP; MWD1-UP; SNA1-UP | | | | | |
| | 2936264 | | I-U-10 | 30 mm | 50 mm | CTC-2620941 | 34.55 |
| | | MWD1-UP; SNA1-UP | | | | | |
| | 1545018 | | P-U-10 | 30 mm | 60 mm | CTC-1643213 | 91.04 |
| GRAPPLE | | | | | | | |
| | | AS21-UP; MWD1-UP; SNA1-UP | | | | | |
| | 2550943 | | I-U-10 | 25 mm | 40 mm | CTC-2863591 | 28.31 |
| | 2781975 | | I-U-10 | 30 mm | 60 mm | CTC-2781970 | 66.84 |
| LIFT LH | | | | | | | |
| | | AS21-UP; DXZ1-UP; F3D1-UP; MWD1-UP; SNA1-UP | | | | | |
| | 2935706 | | P-U-10 | 35 mm | 50 mm | CTC-3712697 | 56.51 |
| | 2935706 | | Bushing | 35 mm | | CTC-2965140 | 10.43 |
| LIFT RH | | | | | | | |
| | | AS21-UP; DXZ1-UP; F3D1-UP; MWD1-UP; SNA1-UP | | | | | |
| | 2935705 | | P-U-10 | 35 mm | 50 mm | CTC-3712697 | 56.51 |
| | 2935705 | | Bushing | 35 mm | | CTC-2965140 | 10.43 |
| TILT | | | | | | | |
| | | AS21-UP; MWD1-UP; SNA1-UP | | | | | |
| | 2749931 | | I-U-10 | 35 mm | 70 mm | CTC-2666140 | 56.16 |
| TILT LH | | | | | | | |
| | | AS21-UP; DXZ1-UP; F3D1-UP; MWD1-UP; SNA1-UP | | | | | |
| | 2935708 | | P-U-10 | 30 mm | 65 mm | CTC-3712718 | 62.84 |
| | 2935708 | | Bushing | 30 mm | | CTC-2965139 | 9.40 |
| TILT RH | | | | | | | |
| | | AS21-UP; DXZ1-UP; F3D1-UP; MWD1-UP; SNA1-UP | | | | | |
| | 2935707 | | P-U-10 | 30 mm | 65 mm | CTC-3712718 | 62.84 |
| | 2935707 | | Bushing | 30 mm | | CTC-2965139 | 9.40 |
| MODEL 226D | | | | | | | |
| ANGLE BLADE | | | | | | | |
| | | HRD1-UP | | | | | |
| | 2749930 | | I-U-10 | 35 mm | 70 mm | CTC-2666140 | 56.16 |
| BUCKET | | | | | | | |
| | | HRD1-UP | | | | | |
| | 2781969 | | I-U-10 | 30 mm | 60 mm | CTC-2781970 | 66.84 |

REPLACEMENT KITS FOR CATERPILLAR® EQUIPMENT

| Loaders - Skid Steer | | | | | | | |
|----------------------|---------|--------------------------------|---------|-------|-------|--------------|--------|
| APPLICATION | CYL # | Misc-Parts, Instructions, etc. | CODE | ROD | BORE | KIT # | |
| MODEL 226D | | | | | | | |
| COUPLER | | | | | | | |
| HRD1-UP | | | | | | | |
| | 5154591 | | I-U-10 | 25 mm | 50 mm | CTC-5187949 | 75.56 |
| GRAPPLE | | | | | | | |
| HRD1-UP | | | | | | | |
| | 4817387 | | I-U-10 | 1-1/4 | 3 | CTC-5052263 | 79.76 |
| LIFT | | | | | | | |
| HRD1-UP | | | | | | | |
| | 4321218 | | P-U-10 | 40 mm | 55 mm | CTC-SK100211 | 61.43 |
| | 4321218 | | Bushing | 40 mm | | CTC-2974130 | 4.59 |
| TILT | | | | | | | |
| HRD1-UP | | | | | | | |
| | 2749931 | | I-U-10 | 35 mm | 70 mm | CTC-2666140 | 56.16 |
| TILT LH | | | | | | | |
| HRD1-UP | | | | | | | |
| | 4571619 | | P-U-10 | 30 mm | 65 mm | CTC-SK100212 | 60.47 |
| | 4571619 | | Bushing | 30 mm | | CTC-2965139 | 9.40 |
| TILT RH | | | | | | | |
| HRD1-UP | | | | | | | |
| | 4571613 | | P-U-10 | 30 mm | 65 mm | CTC-SK100212 | 60.47 |
| | 4571613 | | Bushing | 30 mm | | CTC-2965139 | 9.40 |
| MODEL 236 | | | | | | | |
| ANGLE BLADE | | | | | | | |
| 4YZ1-UP | | | | | | | |
| | 2259521 | | P-U-10 | 32 mm | 63 mm | CTC-1771958 | 94.81 |
| 4YZ4000-UP | | | | | | | |
| | 2749930 | | I-U-10 | 35 mm | 70 mm | CTC-2666140 | 56.16 |
| BUCKET | | | | | | | |
| 4YZ1-UP | | | | | | | |
| | 1545018 | | P-U-10 | 30 mm | 60 mm | CTC-1643213 | 91.04 |
| | 2781969 | | I-U-10 | 30 mm | 60 mm | CTC-2781970 | 66.84 |
| 4YZ4000-UP | | | | | | | |
| | 2936264 | | I-U-10 | 30 mm | 50 mm | CTC-2620941 | 34.55 |
| GRAPPLE | | | | | | | |
| 4YZ1-UP | | | | | | | |
| | 1565512 | | P-U-10 | 30 mm | 60 mm | CTC-1643213 | 91.04 |
| | 1649295 | | P-U-10 | 25 mm | 40 mm | CTC-1725285 | 78.24 |
| | 2781975 | | I-U-10 | 30 mm | 60 mm | CTC-2781970 | 66.84 |
| LIFT LH | | | | | | | |
| 4YZ1-UP | | | | | | | |
| | 1429196 | | P-U-10 | 35 mm | 70 mm | CTC-1429192 | 65.92 |
| | 1429196 | | P-U-10 | 40 mm | 60 mm | CTC-1429193 | 100.93 |
| LIFT RH | | | | | | | |
| 4YZ1-UP | | | | | | | |
| | 1429195 | | P-U-10 | 35 mm | 70 mm | CTC-1429192 | 65.92 |
| | 1429195 | | P-U-10 | 40 mm | 60 mm | CTC-1429193 | 100.93 |
| TILT | | | | | | | |
| 47Z4000-UP | | | | | | | |
| | 2749931 | | I-U-10 | 35 mm | 70 mm | CTC-2666140 | 56.16 |
| TILT LH | | | | | | | |
| 4YZ1-UP | | | | | | | |
| | 1779566 | | P-U-10 | 35 mm | 70 mm | CTC-1429192 | 65.92 |
| TILT RH | | | | | | | |
| 4YZ1-UP | | | | | | | |
| | 1779565 | | P-U-10 | 35 mm | 70 mm | CTC-1429192 | 65.92 |

REPLACEMENT KITS FOR CATERPILLAR® EQUIPMENT

| Loaders - Skid Steer | | | | | | | |
|----------------------|---------|--------------------------------|--------|-------|-------|-------------|--------|
| APPLICATION | CYL # | Misc-Parts, Instructions, etc. | CODE | ROD | BORE | KIT # | |
| MODEL 236B | | | | | | | |
| ANGLE BLADE | | | | | | | |
| HEN1-6749 | | | | | | | |
| | 2259521 | | P-U-10 | 32 mm | 63 mm | CTC-1771958 | 94.81 |
| | 2749930 | | I-U-10 | 35 mm | 70 mm | CTC-2666140 | 56.16 |
| BUCKET | | | | | | | |
| HEN1-6749 | | | | | | | |
| | 1545018 | | P-U-10 | 30 mm | 60 mm | CTC-1643213 | 91.04 |
| | 2781969 | | I-U-10 | 30 mm | 60 mm | CTC-2781970 | 66.84 |
| | 2936264 | | I-U-10 | 30 mm | 50 mm | CTC-2620941 | 34.55 |
| GRAPPLE | | | | | | | |
| HEN1-6749 | | | | | | | |
| | 1565512 | | P-U-10 | 30 mm | 60 mm | CTC-1643213 | 91.04 |
| | 1649295 | | P-U-10 | 25 mm | 40 mm | CTC-1725285 | 78.24 |
| | 2781975 | | I-U-10 | 30 mm | 60 mm | CTC-2781970 | 66.84 |
| LIFT LH | | | | | | | |
| HEN1-6749 | | | | | | | |
| | 2303685 | | P-U-10 | 40 mm | 60 mm | CTC-2186823 | 81.28 |
| LIFT RH | | | | | | | |
| HEN1-6749 | | | | | | | |
| | 2303695 | | P-U-10 | 40 mm | 60 mm | CTC-2186823 | 81.28 |
| TILT | | | | | | | |
| HEN1-6749 | | | | | | | |
| | 2749931 | | I-U-10 | 35 mm | 70 mm | CTC-2666140 | 56.16 |
| TILT LH | | | | | | | |
| HEN1-6749 | | | | | | | |
| | 2303687 | | P-U-10 | 35 mm | 70 mm | CTC-2186822 | 101.27 |
| TILT RH | | | | | | | |
| HEN1-6749 | | | | | | | |
| | 2303697 | | P-U-10 | 35 mm | 70 mm | CTC-2186822 | 101.27 |
| MODEL 236B2 | | | | | | | |
| ANGLE BLADE | | | | | | | |
| HEN6750-UP | | | | | | | |
| | 2259521 | | P-U-10 | 32 mm | 63 mm | CTC-1771958 | 94.81 |
| | 2749930 | | I-U-10 | 35 mm | 70 mm | CTC-2666140 | 56.16 |
| BUCKET | | | | | | | |
| HEN6750-UP | | | | | | | |
| | 2781969 | | I-U-10 | 30 mm | 60 mm | CTC-2781970 | 66.84 |
| | 2936264 | | I-U-10 | 30 mm | 50 mm | CTC-2620941 | 34.55 |
| GRAPPLE | | | | | | | |
| HEN6750-UP | | | | | | | |
| | 1649295 | | P-U-10 | 25 mm | 40 mm | CTC-1725285 | 78.24 |
| | 2550943 | | I-U-10 | 25 mm | 40 mm | CTC-2863591 | 28.31 |
| | 2781975 | | I-U-10 | 30 mm | 60 mm | CTC-2781970 | 66.84 |
| LIFT LH | | | | | | | |
| HEN6750-9767 | | | | | | | |
| | 2303685 | | P-U-10 | 40 mm | 60 mm | CTC-2186823 | 81.28 |
| HEN9768-UP | | | | | | | |
| | 2956952 | | P-U-10 | 40 mm | 60 mm | CTC-3712756 | 57.46 |
| LIFT RH | | | | | | | |
| HEN6750-9767 | | | | | | | |
| | 2303695 | | P-U-10 | 40 mm | 60 mm | CTC-2186823 | 81.28 |
| HEN9768-UP | | | | | | | |
| | 2956951 | | P-U-10 | 40 mm | 60 mm | CTC-3712756 | 57.46 |
| TILT | | | | | | | |
| HEN6750-UP | | | | | | | |
| | 2749931 | | I-U-10 | 35 mm | 70 mm | CTC-2666140 | 56.16 |

REPLACEMENT KITS FOR CATERPILLAR® EQUIPMENT

| Loaders - Skid Steer | | | | | | | |
|---------------------------|-------|--------------------------------|---------|-------|-------|-------------|--------|
| APPLICATION | CYL # | Misc-Parts, Instructions, etc. | CODE | ROD | BORE | KIT # | |
| MODEL 236B2 | | | | | | | |
| TILT LH | | | | | | | |
| HEN6750-9765 | | | | | | | |
| 2303687 | | | P-U-10 | 35 mm | 70 mm | CTC-2186822 | 101.27 |
| HEN9766-UP | | | | | | | |
| 2956954 | | | P-U-10 | 35 mm | 70 mm | CTC-3712760 | 58.57 |
| TILT RH | | | | | | | |
| HEN6750-9765 | | | | | | | |
| 2303697 | | | P-U-10 | 35 mm | 70 mm | CTC-2186822 | 101.27 |
| HEN9766-UP | | | | | | | |
| 2956953 | | | P-U-10 | 35 mm | 70 mm | CTC-3712760 | 58.57 |
| MODEL 236B3 | | | | | | | |
| ANGLE BLADE | | | | | | | |
| A9H1-UP | | | | | | | |
| 2259521 | | | P-U-10 | 32 mm | 63 mm | CTC-1771958 | 94.81 |
| 2749930 | | | I-U-10 | 35 mm | 70 mm | CTC-2666140 | 56.16 |
| BUCKET | | | | | | | |
| A9H1-UP | | | | | | | |
| 1545018 | | | P-U-10 | 30 mm | 60 mm | CTC-1643213 | 91.04 |
| 2781969 | | | I-U-10 | 30 mm | 60 mm | CTC-2781970 | 66.84 |
| 2936264 | | | I-U-10 | 30 mm | 50 mm | CTC-2620941 | 34.55 |
| GRAPPLE | | | | | | | |
| A9H1-UP | | | | | | | |
| 2550943 | | | I-U-10 | 25 mm | 40 mm | CTC-2863591 | 28.31 |
| 2781975 | | | I-U-10 | 30 mm | 60 mm | CTC-2781970 | 66.84 |
| LIFT LH | | | | | | | |
| A9H1-UP | | | | | | | |
| 2956952 | | | P-U-10 | 40 mm | 60 mm | CTC-3712756 | 57.46 |
| LIFT RH | | | | | | | |
| A9H1-UP | | | | | | | |
| 2956951 | | | P-U-10 | 40 mm | 60 mm | CTC-3712756 | 57.46 |
| TILT | | | | | | | |
| A9H1-UP | | | | | | | |
| 2749931 | | | I-U-10 | 35 mm | 70 mm | CTC-2666140 | 56.16 |
| TILT LH | | | | | | | |
| A9H1-UP | | | | | | | |
| 2956954 | | | P-U-10 | 35 mm | 70 mm | CTC-3712760 | 58.57 |
| 2956954 | | | Bushing | 35 mm | | CTC-2965140 | 10.43 |
| TILT RH | | | | | | | |
| A9H1-UP | | | | | | | |
| 2956953 | | | P-U-10 | 35 mm | 70 mm | CTC-3712760 | 58.57 |
| 2956953 | | | Bushing | 35 mm | | CTC-2965140 | 10.43 |
| MODEL 236D | | | | | | | |
| ANGLE BLADE | | | | | | | |
| BGZ1-UP; MPW1-UP; SEN1-UP | | | | | | | |
| 2259521 | | | P-U-10 | 32 mm | 63 mm | CTC-1771958 | 94.81 |
| 2749930 | | | I-U-10 | 35 mm | 70 mm | CTC-2666140 | 56.16 |
| BUCKET | | | | | | | |
| BGZ1-UP; MPW1-UP; SEN1-UP | | | | | | | |
| 2781969 | | | I-U-10 | 30 mm | 60 mm | CTC-2781970 | 66.84 |
| 2936264 | | | I-U-10 | 30 mm | 50 mm | CTC-2620941 | 34.55 |
| COUPLER | | | | | | | |
| BGZ1-UP; MPW1-UP; SEN1-UP | | | | | | | |
| 5154591 | | | I-U-10 | 25 mm | 50 mm | CTC-5187949 | 75.56 |

REPLACEMENT KITS FOR CATERPILLAR® EQUIPMENT

| Loaders - Skid Steer | | | | | | | |
|---------------------------|---------|--------------------------------|---------|-------|-------|-------------|--------|
| APPLICATION | CYL # | Misc-Parts, Instructions, etc. | CODE | ROD | BORE | KIT # | |
| MODEL 236D | | | | | | | |
| GRAPPLE | | | | | | | |
| BGZ1-UP; MPW1-UP; SEN1-UP | | | | | | | |
| | 2550943 | | I-U-10 | 25 mm | 40 mm | CTC-2863591 | 28.31 |
| | 2781975 | | I-U-10 | 30 mm | 60 mm | CTC-2781970 | 66.84 |
| | 4817387 | | I-U-10 | 1-1/4 | 3 | CTC-5052263 | 79.76 |
| LIFT | | | | | | | |
| BGZ1-UP; MPW1-UP; SEN1-UP | | | | | | | |
| | 3780891 | | P-U-10 | 40 mm | 55 mm | CTC-4397329 | 51.89 |
| | 3780891 | | Bushing | 40 mm | | CTC-2974130 | 4.59 |
| MPW1-UP | | | | | | | |
| | 3805668 | | P-U-10 | 45 mm | 65 mm | CTC-3712737 | 64.20 |
| | 3805668 | | Bushing | 45 mm | | CTC-2965141 | 11.84 |
| TILT | | | | | | | |
| BGZ1-UP; MPW1-UP; SEN1-UP | | | | | | | |
| | 2749931 | | I-U-10 | 35 mm | 70 mm | CTC-2666140 | 56.16 |
| TILT LH | | | | | | | |
| BGZ1-UP; MPW1-UP; SEN1-UP | | | | | | | |
| | 3787964 | | P-U-10 | 35 mm | 70 mm | CTC-3712760 | 58.57 |
| | 3787964 | | Bushing | 35 mm | | CTC-2965140 | 10.43 |
| TILT RH | | | | | | | |
| BGZ1-UP; MPW1-UP; SEN1-UP | | | | | | | |
| | 3787963 | | P-U-10 | 35 mm | 70 mm | CTC-3712760 | 58.57 |
| | 3787963 | | Bushing | 35 mm | | CTC-2965140 | 10.43 |
| MODEL 242 | | | | | | | |
| ANGLE BLADE | | | | | | | |
| CMB1-UP | | | | | | | |
| | 2259521 | | P-U-10 | 32 mm | 63 mm | CTC-1771958 | 94.81 |
| BUCKET | | | | | | | |
| CMB1-UP | | | | | | | |
| | 1545018 | | P-U-10 | 30 mm | 60 mm | CTC-1643213 | 91.04 |
| | 2781969 | | I-U-10 | 30 mm | 60 mm | CTC-2781970 | 66.84 |
| | 2936264 | | I-U-10 | 30 mm | 50 mm | CTC-2620941 | 34.55 |
| GRAPPLE | | | | | | | |
| CMB1-1646 | | | | | | | |
| | 2781975 | | I-U-10 | 30 mm | 60 mm | CTC-2781970 | 66.84 |
| CMB1-UP | | | | | | | |
| | 1565512 | | P-U-10 | 30 mm | 60 mm | CTC-1643213 | 91.04 |
| | 1649295 | | P-U-10 | 25 mm | 40 mm | CTC-1725285 | 78.24 |
| LIFT | | | | | | | |
| CMB1-UP | | | | | | | |
| | 1919641 | | P-U-10 | 45 mm | 60 mm | CTC-1919605 | 98.11 |
| TILT LH | | | | | | | |
| CMB1-UP | | | | | | | |
| | 1779569 | | P-U-10 | 30 mm | 65 mm | CTC-1428963 | 135.74 |
| TILT RH | | | | | | | |
| CMB1-UP | | | | | | | |
| | 1779568 | | P-U-10 | 30 mm | 65 mm | CTC-1428963 | 135.74 |
| MODEL 242B | | | | | | | |
| ANGLE BLADE | | | | | | | |
| BXM1-4224 | | | | | | | |
| | 2259521 | | P-U-10 | 32 mm | 63 mm | CTC-1771958 | 94.81 |
| | 2749930 | | I-U-10 | 35 mm | 70 mm | CTC-2666140 | 56.16 |

REPLACEMENT KITS FOR CATERPILLAR® EQUIPMENT

| Loaders - Skid Steer | | | | | | | |
|---------------------------|---------|--------------------------------|--------|-------|-------|-------------|-------|
| APPLICATION | CYL # | Misc-Parts, Instructions, etc. | CODE | ROD | BORE | KIT # | |
| MODEL 242B | | | | | | | |
| BUCKET | | | | | | | |
| BXM1-4224 | | | | | | | |
| | 1545018 | | P-U-10 | 30 mm | 60 mm | CTC-1643213 | 91.04 |
| | 2781969 | | I-U-10 | 30 mm | 60 mm | CTC-2781970 | 66.84 |
| | 2936264 | | I-U-10 | 30 mm | 50 mm | CTC-2620941 | 34.55 |
| GRAPPLE | | | | | | | |
| BXM1-4224 | | | | | | | |
| | 1565512 | | P-U-10 | 30 mm | 60 mm | CTC-1643213 | 91.04 |
| | 1649295 | | P-U-10 | 25 mm | 40 mm | CTC-1725285 | 78.24 |
| | 2781975 | | I-U-10 | 30 mm | 60 mm | CTC-2781970 | 66.84 |
| LIFT | | | | | | | |
| BXM1-4224 | | | | | | | |
| | 2303703 | | P-U-10 | 45 mm | 60 mm | CTC-2186827 | 78.77 |
| TILT | | | | | | | |
| BXM1-4224 | | | | | | | |
| | 2749931 | | I-U-10 | 35 mm | 70 mm | CTC-2666140 | 56.16 |
| TILT LH | | | | | | | |
| BXM1-4224 | | | | | | | |
| | 2303684 | | P-U-10 | 30 mm | 65 mm | CTC-2186825 | 78.42 |
| TILT RH | | | | | | | |
| BXM1-4224 | | | | | | | |
| | 2303694 | | P-U-10 | 30 mm | 65 mm | CTC-2186825 | 78.42 |
| MODEL 242B2 | | | | | | | |
| ANGLE BLADE | | | | | | | |
| BXM4225-UP | | | | | | | |
| | 2259521 | | P-U-10 | 32 mm | 63 mm | CTC-1771958 | 94.81 |
| | 2749930 | | I-U-10 | 35 mm | 70 mm | CTC-2666140 | 56.16 |
| BUCKET | | | | | | | |
| BXM4225-UP | | | | | | | |
| | 2781969 | | I-U-10 | 30 mm | 60 mm | CTC-2781970 | 66.84 |
| | 2936264 | | I-U-10 | 30 mm | 50 mm | CTC-2620941 | 34.55 |
| GRAPPLE | | | | | | | |
| BXM4225-UP | | | | | | | |
| | 1649295 | | P-U-10 | 25 mm | 40 mm | CTC-1725285 | 78.24 |
| | 2781975 | | I-U-10 | 30 mm | 60 mm | CTC-2781970 | 66.84 |
| GRAPPLE RH | | | | | | | |
| BXM4225-UP | | | | | | | |
| | 2550943 | | I-U-10 | 25 mm | 40 mm | CTC-2863591 | 28.31 |
| LIFT | | | | | | | |
| BXM4225-UP | | | | | | | |
| | 2303703 | | P-U-10 | 45 mm | 60 mm | CTC-2186827 | 78.77 |
| TILT | | | | | | | |
| BXM4225-UP | | | | | | | |
| | 2749931 | | I-U-10 | 35 mm | 70 mm | CTC-2666140 | 56.16 |
| TILT LH | | | | | | | |
| BXM4225-UP | | | | | | | |
| | 2303684 | | P-U-10 | 30 mm | 65 mm | CTC-2186825 | 78.42 |
| TILT RH | | | | | | | |
| BXM4225-UP | | | | | | | |
| | 2303694 | | P-U-10 | 30 mm | 65 mm | CTC-2186825 | 78.42 |
| MODEL 242D | | | | | | | |
| ANGLE BLADE | | | | | | | |
| A9W1-UP; DML1-UP; DZT1-UP | | | | | | | |
| | 2259521 | | P-U-10 | 32 mm | 63 mm | CTC-1771958 | 94.81 |
| | 2749930 | | I-U-10 | 35 mm | 70 mm | CTC-2666140 | 56.16 |

REPLACEMENT KITS FOR CATERPILLAR® EQUIPMENT

| Loaders - Skid Steer | | | | | | | |
|---------------------------|---------|--------------------------------|---------|-------|-------|-------------|--------|
| APPLICATION | CYL # | Misc-Parts, Instructions, etc. | CODE | ROD | BORE | KIT # | |
| MODEL 242D | | | | | | | |
| BUCKET | | | | | | | |
| A9W1-UP; DML1-UP; DZT1-UP | | | | | | | |
| | 2781969 | | I-U-10 | 30 mm | 60 mm | CTC-2781970 | 66.84 |
| | 2936264 | | I-U-10 | 30 mm | 50 mm | CTC-2620941 | 34.55 |
| COUPLER | | | | | | | |
| A9W1-UP; DML1-UP; DZT1-UP | | | | | | | |
| | 5154591 | | I-U-10 | 25 mm | 50 mm | CTC-5187949 | 75.56 |
| GRAPPLE | | | | | | | |
| A9W1-UP; DML1-UP; DZT1-UP | | | | | | | |
| | 2550943 | | I-U-10 | 25 mm | 40 mm | CTC-2863591 | 28.31 |
| | 2781975 | | I-U-10 | 30 mm | 60 mm | CTC-2781970 | 66.84 |
| | 4827647 | | I-U-10 | 1-1/4 | 3 | CTC-5052263 | 79.76 |
| LIFT | | | | | | | |
| A9W1-UP; DML1-UP; DZT1-UP | | | | | | | |
| | 3805668 | | P-U-10 | 45 mm | 65 mm | CTC-3712737 | 64.20 |
| | 3805668 | | Bushing | 45 mm | | CTC-2965141 | 11.84 |
| TILT | | | | | | | |
| A9W1-UP; DML1-UP; DZT1-UP | | | | | | | |
| | 2749931 | | I-U-10 | 35 mm | 70 mm | CTC-2666140 | 56.16 |
| TILT LH | | | | | | | |
| A9W1-UP; DML1-UP; DZT1-UP | | | | | | | |
| | 3787964 | | P-U-10 | 35 mm | 70 mm | CTC-3712760 | 58.57 |
| | 3787964 | | Bushing | 35 mm | | CTC-2965140 | 10.43 |
| TILT RH | | | | | | | |
| A9W1-UP; DML1-UP; DZT1-UP | | | | | | | |
| | 3787963 | | P-U-10 | 35 mm | 70 mm | CTC-3712760 | 58.57 |
| | 3787963 | | Bushing | 35 mm | | CTC-2965140 | 10.43 |
| MODEL 246 | | | | | | | |
| ANGLE BLADE | | | | | | | |
| 5SZ1-UP | | | | | | | |
| | 2259521 | | P-U-10 | 32 mm | 63 mm | CTC-1771958 | 94.81 |
| 5SZ4000-UP | | | | | | | |
| | 2749930 | | I-U-10 | 35 mm | 70 mm | CTC-2666140 | 56.16 |
| BUCKET | | | | | | | |
| 5SZ1-UP | | | | | | | |
| | 1545018 | | P-U-10 | 30 mm | 60 mm | CTC-1643213 | 91.04 |
| | 2781969 | | I-U-10 | 30 mm | 60 mm | CTC-2781970 | 66.84 |
| 5SZ4000-UP | | | | | | | |
| | 2936264 | | I-U-10 | 30 mm | 50 mm | CTC-2620941 | 34.55 |
| GRAPPLE | | | | | | | |
| 5SZ1-UP | | | | | | | |
| | 1565512 | | P-U-10 | 30 mm | 60 mm | CTC-1643213 | 91.04 |
| | 1649295 | | P-U-10 | 25 mm | 40 mm | CTC-1725285 | 78.24 |
| | 2781975 | | I-U-10 | 30 mm | 60 mm | CTC-2781970 | 66.84 |
| LIFT LH | | | | | | | |
| 5SZ1-UP | | | | | | | |
| | 1429196 | | P-U-10 | 35 mm | 70 mm | CTC-1429192 | 65.92 |
| | 1429196 | | P-U-10 | 40 mm | 60 mm | CTC-1429193 | 100.93 |
| LIFT RH | | | | | | | |
| 5SZ1-UP | | | | | | | |
| | 1429195 | | P-U-10 | 35 mm | 70 mm | CTC-1429192 | 65.92 |
| | 1429195 | | P-U-10 | 40 mm | 60 mm | CTC-1429193 | 100.93 |
| TILT | | | | | | | |
| 5SZ4000-UP | | | | | | | |
| | 2749931 | | I-U-10 | 35 mm | 70 mm | CTC-2666140 | 56.16 |

REPLACEMENT KITS FOR CATERPILLAR® EQUIPMENT

| Loaders - Skid Steer | | | | | | | |
|----------------------|---------------------|--------------------------------|--------|-------|-------|-------------|--------|
| APPLICATION | CYL # | Misc-Parts, Instructions, etc. | CODE | ROD | BORE | KIT # | |
| MODEL 246 | | | | | | | |
| TILT LH | | | | | | | |
| | 5SZ1-UP | | | | | | |
| | 1779566 | | P-U-10 | 35 mm | 70 mm | CTC-1429192 | 65.92 |
| TILT RH | | | | | | | |
| | 5SZ1-UP | | | | | | |
| | 1779565 | | P-U-10 | 35 mm | 70 mm | CTC-1429192 | 65.92 |
| MODEL 246B | | | | | | | |
| ANGLE BLADE | | | | | | | |
| | PAT1-UP | | | | | | |
| | 2259521 | | P-U-10 | 32 mm | 63 mm | CTC-1771958 | 94.81 |
| | 2749930 | | I-U-10 | 35 mm | 70 mm | CTC-2666140 | 56.16 |
| BUCKET | | | | | | | |
| | PAT1-UP | | | | | | |
| | 1545018 | | P-U-10 | 30 mm | 60 mm | CTC-1643213 | 91.04 |
| | 2781969 | | I-U-10 | 30 mm | 60 mm | CTC-2781970 | 66.84 |
| | 2936264 | | I-U-10 | 30 mm | 50 mm | CTC-2620941 | 34.55 |
| GRAPPLE | | | | | | | |
| | PAT1-UP | | | | | | |
| | 1565512 | | P-U-10 | 30 mm | 60 mm | CTC-1643213 | 91.04 |
| | 1649295 | | P-U-10 | 25 mm | 40 mm | CTC-1725285 | 78.24 |
| | 2781975 | | I-U-10 | 30 mm | 60 mm | CTC-2781970 | 66.84 |
| LIFT LH | | | | | | | |
| | PAT1-UP | | | | | | |
| | 2303685 | | P-U-10 | 40 mm | 60 mm | CTC-2186823 | 81.28 |
| LIFT RH | | | | | | | |
| | PAT1-UP | | | | | | |
| | 2303695 | | P-U-10 | 40 mm | 60 mm | CTC-2186823 | 81.28 |
| TILT | | | | | | | |
| | PAT1-UP | | | | | | |
| | 2749931 | | I-U-10 | 35 mm | 70 mm | CTC-2666140 | 56.16 |
| TILT LH | | | | | | | |
| | PAT1-UP | | | | | | |
| | 2303687 | | P-U-10 | 35 mm | 70 mm | CTC-2186822 | 101.27 |
| TILT RH | | | | | | | |
| | PAT1-UP | | | | | | |
| | 2303697 | | P-U-10 | 35 mm | 70 mm | CTC-2186822 | 101.27 |
| MODEL 246C | | | | | | | |
| ANGLE BLADE | | | | | | | |
| | JAY1-UP | | | | | | |
| | 2259521 | | P-U-10 | 32 mm | 63 mm | CTC-1771958 | 94.81 |
| | 2749930 | | I-U-10 | 35 mm | 70 mm | CTC-2666140 | 56.16 |
| BUCKET | | | | | | | |
| | JAY1-UP | | | | | | |
| | 1545018 | | P-U-10 | 30 mm | 60 mm | CTC-1643213 | 91.04 |
| | 2781969 | | I-U-10 | 30 mm | 60 mm | CTC-2781970 | 66.84 |
| | 2936264 | | I-U-10 | 30 mm | 50 mm | CTC-2620941 | 34.55 |
| GRAPPLE | | | | | | | |
| | JAY1-UP | | | | | | |
| | 1649295 | | P-U-10 | 25 mm | 40 mm | CTC-1725285 | 78.24 |
| | 2550943 | | I-U-10 | 25 mm | 40 mm | CTC-2863591 | 28.31 |
| | 2781975 | | I-U-10 | 30 mm | 60 mm | CTC-2781970 | 66.84 |
| LIFT | | | | | | | |
| | JAY1-4094;4096-4202 | | | | | | |
| | 2582512 | | P-U-10 | 45 mm | 65 mm | CTC-2186824 | 85.76 |
| | JAY4095;4203-UP | | | | | | |
| | 2935710 | | P-U-10 | 45 mm | 65 mm | CTC-3712737 | 64.20 |

REPLACEMENT KITS FOR CATERPILLAR® EQUIPMENT

| Loaders - Skid Steer | | | | | | | |
|---------------------------|---------|--------------------------------|--------|-------|-------|-------------|-------|
| APPLICATION | CYL # | Misc-Parts, Instructions, etc. | CODE | ROD | BORE | KIT # | |
| MODEL 246C | | | | | | | |
| TILT | | | | | | | |
| JAY1-UP | | | | | | | |
| | 2749931 | | I-U-10 | 35 mm | 70 mm | CTC-2666140 | 56.16 |
| TILT LH | | | | | | | |
| JAY1-4094;4096-4215 | | | | | | | |
| | 2582515 | | P-U-10 | 35 mm | 75 mm | CTC-2583621 | 62.57 |
| JAY4095;4216-UP | | | | | | | |
| | 2935712 | | P-U-10 | 35 mm | 75 mm | CTC-3712751 | 62.21 |
| TILT RH | | | | | | | |
| JAY1-4094;4096-4215 | | | | | | | |
| | 2582514 | | P-U-10 | 35 mm | 75 mm | CTC-2583621 | 62.57 |
| JAY4095;4216-UP | | | | | | | |
| | 2935711 | | P-U-10 | 35 mm | 75 mm | CTC-3712751 | 62.21 |
| MODEL 246D | | | | | | | |
| ANGLE BLADE | | | | | | | |
| BYF1-UP; HMR1-UP; JSL1-UP | | | | | | | |
| | 2559521 | | P-U-10 | 32 mm | 63 mm | CTC-1771958 | 94.81 |
| | 2749930 | | I-U-10 | 35 mm | 70 mm | CTC-2666140 | 56.16 |
| BUCKET | | | | | | | |
| BYF1-UP; HMR1-UP; JSL1-UP | | | | | | | |
| | 2781969 | | I-U-10 | 30 mm | 60 mm | CTC-2781970 | 66.84 |
| | 2936264 | | I-U-10 | 30 mm | 50 mm | CTC-2620941 | 34.55 |
| COUPLER | | | | | | | |
| BYF1-UP; HMR1-UP; JSL1-UP | | | | | | | |
| | 5154591 | | I-U-10 | 25 mm | 50 mm | CTC-5187949 | 75.56 |
| GRAPPLE | | | | | | | |
| BYF1-UP; HMR1-UP; JSL1-UP | | | | | | | |
| | 2550943 | | I-U-10 | 25 mm | 40 mm | CTC-2863591 | 28.31 |
| | 2781975 | | I-U-10 | 30 mm | 60 mm | CTC-2781970 | 66.84 |
| | 4817387 | | I-U-10 | 1-1/4 | 3 | CTC-5052263 | 79.76 |
| LIFT | | | | | | | |
| BYF1-UP; HMR1-UP; JSL1-UP | | | | | | | |
| | 4924510 | | I-U-10 | 50 mm | 70 mm | CTC-3806119 | 96.67 |
| TILT | | | | | | | |
| BYF1-UP; HMR1-UP; JSL1-UP | | | | | | | |
| | 2749931 | | I-U-10 | 35 mm | 70 mm | CTC-2666140 | 56.16 |
| TILT LH | | | | | | | |
| BYF1-UP; HMR1-UP; JSL1-UP | | | | | | | |
| | 2935712 | | P-U-10 | 35 mm | 75 mm | CTC-3712751 | 62.21 |
| TILT RH | | | | | | | |
| BYF1-UP; HMR1-UP; JSL1-UP | | | | | | | |
| | 2935711 | | P-U-10 | 35 mm | 75 mm | CTC-3712751 | 62.21 |
| MODEL 252B | | | | | | | |
| ANGLE BLADE | | | | | | | |
| SCP1-4599 | | | | | | | |
| | 2259521 | | P-U-10 | 32 mm | 63 mm | CTC-1771958 | 94.81 |
| | 2749930 | | I-U-10 | 35 mm | 70 mm | CTC-2666140 | 56.16 |
| BUCKET | | | | | | | |
| SCP1-4599 | | | | | | | |
| | 1545018 | | P-U-10 | 30 mm | 60 mm | CTC-1643213 | 91.04 |
| | 2781969 | | I-U-10 | 30 mm | 60 mm | CTC-2781970 | 66.84 |
| | 2936264 | | I-U-10 | 30 mm | 50 mm | CTC-2620941 | 34.55 |

CATERPILLAR®

REPLACEMENT KITS FOR CATERPILLAR® EQUIPMENT

| Loaders - Skid Steer | | | | | | | |
|----------------------|---------|--------------------------------|--------|-------|-------|-------------|--------|
| APPLICATION | CYL # | Misc-Parts, Instructions, etc. | CODE | ROD | BORE | KIT # | |
| MODEL 252B | | | | | | | |
| GRAPPLE | | | | | | | |
| SCP1-4599 | | | | | | | |
| | 1565512 | | P-U-10 | 30 mm | 60 mm | CTC-1643213 | 91.04 |
| | 1649295 | | P-U-10 | 25 mm | 40 mm | CTC-1725285 | 78.24 |
| | 2781975 | | I-U-10 | 30 mm | 60 mm | CTC-2781970 | 66.84 |
| LIFT | | | | | | | |
| SCP1-4599 | | | | | | | |
| | 2303705 | | P-U-10 | 45 mm | 65 mm | CTC-2186824 | 85.76 |
| TILT | | | | | | | |
| SCP1-4599 | | | | | | | |
| | 2749931 | | I-U-10 | 35 mm | 70 mm | CTC-2666140 | 56.16 |
| TILT LH | | | | | | | |
| SCP1-4599 | | | | | | | |
| | 2303687 | | P-U-10 | 35 mm | 70 mm | CTC-2186822 | 101.27 |
| TILT RH | | | | | | | |
| SCP1-4599 | | | | | | | |
| | 2303697 | | P-U-10 | 35 mm | 70 mm | CTC-2186822 | 101.27 |
| MODEL 252B2 | | | | | | | |
| ANGLE BLADE | | | | | | | |
| SCP4600-UP | | | | | | | |
| | 2259521 | | P-U-10 | 32 mm | 63 mm | CTC-1771958 | 94.81 |
| | 2749930 | | I-U-10 | 35 mm | 70 mm | CTC-2666140 | 56.16 |
| BUCKET | | | | | | | |
| SCP4600-UP | | | | | | | |
| | 2781969 | | I-U-10 | 30 mm | 60 mm | CTC-2781970 | 66.84 |
| | 2936264 | | I-U-10 | 30 mm | 50 mm | CTC-2620941 | 34.55 |
| GRAPPLE | | | | | | | |
| SCP4600-UP | | | | | | | |
| | 1649295 | | P-U-10 | 25 mm | 40 mm | CTC-1725285 | 78.24 |
| | 2550943 | | I-U-10 | 25 mm | 40 mm | CTC-2863591 | 28.31 |
| | 2781975 | | I-U-10 | 30 mm | 60 mm | CTC-2781970 | 66.84 |
| LIFT | | | | | | | |
| SCP4600-UP | | | | | | | |
| | 2303705 | | P-U-10 | 45 mm | 65 mm | CTC-2186824 | 85.76 |
| SCP6188-UP | | | | | | | |
| | 2978699 | | P-U-10 | 45 mm | 65 mm | CTC-3712737 | 64.20 |
| TILT | | | | | | | |
| SCP4600-UP | | | | | | | |
| | 2749931 | | I-U-10 | 35 mm | 70 mm | CTC-2666140 | 56.16 |
| TILT LH | | | | | | | |
| SCP4600-6187 | | | | | | | |
| | 2303687 | | P-U-10 | 35 mm | 70 mm | CTC-2186822 | 101.27 |
| SCP6188-UP | | | | | | | |
| | 2956954 | | P-U-10 | 35 mm | 70 mm | CTC-3712760 | 58.57 |
| TILT RH | | | | | | | |
| SCP4600-6187 | | | | | | | |
| | 2303697 | | P-U-10 | 35 mm | 70 mm | CTC-2186822 | 101.27 |
| SCP6188-UP | | | | | | | |
| | 2956953 | | P-U-10 | 35 mm | 70 mm | CTC-3712760 | 58.57 |
| MODEL 252B3 | | | | | | | |
| ANGLE BLADE | | | | | | | |
| TNK1-UP | | | | | | | |
| | 2259521 | | P-U-10 | 32 mm | 63 mm | CTC-1771958 | 94.81 |
| | 2749930 | | I-U-10 | 35 mm | 70 mm | CTC-2666140 | 56.16 |

REPLACEMENT KITS FOR CATERPILLAR® EQUIPMENT

| Loaders - Skid Steer | | | | | | | |
|----------------------|---------|--------------------------------|---------|-------|-------|-------------|--------|
| APPLICATION | CYL # | Misc-Parts, Instructions, etc. | CODE | ROD | BORE | KIT # | |
| MODEL 252B3 | | | | | | | |
| BUCKET | | | | | | | |
| TNK1-UP | | | | | | | |
| | 1545018 | | P-U-10 | 30 mm | 60 mm | CTC-1643213 | 91.04 |
| | 2781969 | | I-U-10 | 30 mm | 60 mm | CTC-2781970 | 66.84 |
| | 2936264 | | I-U-10 | 30 mm | 50 mm | CTC-2620941 | 34.55 |
| GRAPPLE | | | | | | | |
| TNK1-UP | | | | | | | |
| | 2550943 | | I-U-10 | 25 mm | 40 mm | CTC-2863591 | 28.31 |
| | 2781975 | | I-U-10 | 30 mm | 60 mm | CTC-2781970 | 66.84 |
| LIFT | | | | | | | |
| TNK1-UP | | | | | | | |
| | 2978699 | | P-U-10 | 45 mm | 65 mm | CTC-3712737 | 64.20 |
| | 2978699 | | Bushing | 45 mm | | CTC-2965141 | 11.84 |
| TILT | | | | | | | |
| TNK1-UP | | | | | | | |
| | 2749931 | | I-U-10 | 35 mm | 70 mm | CTC-2666140 | 56.16 |
| TILT LH | | | | | | | |
| TNK1-UP | | | | | | | |
| | 2956954 | | P-U-10 | 35 mm | 70 mm | CTC-3712760 | 58.57 |
| | 2956954 | | Bushing | 35 mm | | CTC-2965140 | 10.43 |
| TILT RH | | | | | | | |
| TNK1-UP | | | | | | | |
| | 2956953 | | P-U-10 | 35 mm | 70 mm | CTC-3712760 | 58.57 |
| | 2956953 | | Bushing | 35 mm | | CTC-2965140 | 10.43 |
| MODEL 262 | | | | | | | |
| ANGLE BLADE | | | | | | | |
| CED1-UP | | | | | | | |
| | 2259521 | | P-U-10 | 32 mm | 63 mm | CTC-1771958 | 94.81 |
| | 2749930 | | I-U-10 | 35 mm | 70 mm | CTC-2666140 | 56.16 |
| BUCKET | | | | | | | |
| CED1-UP | | | | | | | |
| | 1545018 | | P-U-10 | 30 mm | 60 mm | CTC-1643213 | 91.04 |
| | 2781969 | | I-U-10 | 30 mm | 60 mm | CTC-2781970 | 66.84 |
| | 2936264 | | I-U-10 | 30 mm | 50 mm | CTC-2620941 | 34.55 |
| GRAPPLE | | | | | | | |
| CED1-UP | | | | | | | |
| | 1565512 | | P-U-10 | 30 mm | 60 mm | CTC-1643213 | 91.04 |
| | 1649295 | | P-U-10 | 25 mm | 40 mm | CTC-1725285 | 78.24 |
| | 2781975 | | I-U-10 | 30 mm | 60 mm | CTC-2781970 | 66.84 |
| LIFT | | | | | | | |
| CED1-UP | | | | | | | |
| | 1908041 | | P-U-10 | 45 mm | 65 mm | CTC-2063805 | 134.74 |
| TILT | | | | | | | |
| CED1-UP | | | | | | | |
| | 2749931 | | I-U-10 | 35 mm | 70 mm | CTC-2666140 | 56.16 |
| TILT LH | | | | | | | |
| CED1-UP | | | | | | | |
| | 1779566 | | P-U-10 | 35 mm | 70 mm | CTC-1429192 | 65.92 |
| TILT RH | | | | | | | |
| CED1-UP | | | | | | | |
| | 1779565 | | P-U-10 | 35 mm | 70 mm | CTC-1429192 | 65.92 |
| MODEL 262B | | | | | | | |
| ANGLE BLADE | | | | | | | |
| PDT1-UP | | | | | | | |
| | 2259521 | | P-U-10 | 32 mm | 63 mm | CTC-1771958 | 94.81 |
| | 2749930 | | I-U-10 | 35 mm | 70 mm | CTC-2666140 | 56.16 |

REPLACEMENT KITS FOR CATERPILLAR® EQUIPMENT

| Loaders - Skid Steer | | | | | | | |
|----------------------|---------|--------------------------------|--------|-------|-------|-------------|--------|
| APPLICATION | CYL # | Misc-Parts, Instructions, etc. | CODE | ROD | BORE | KIT # | |
| MODEL 262B | | | | | | | |
| BUCKET | | | | | | | |
| PDT1-UP | | | | | | | |
| | 1545018 | | P-U-10 | 30 mm | 60 mm | CTC-1643213 | 91.04 |
| | 2781969 | | I-U-10 | 30 mm | 60 mm | CTC-2781970 | 66.84 |
| | 2936264 | | I-U-10 | 30 mm | 50 mm | CTC-2620941 | 34.55 |
| GRAPPLE | | | | | | | |
| PDT1-UP | | | | | | | |
| | 1565512 | | P-U-10 | 30 mm | 60 mm | CTC-1643213 | 91.04 |
| | 1649295 | | P-U-10 | 25 mm | 40 mm | CTC-1725285 | 78.24 |
| | 2781975 | | I-U-10 | 30 mm | 60 mm | CTC-2781970 | 66.84 |
| LIFT | | | | | | | |
| PDT1-UP | | | | | | | |
| | 2303705 | | P-U-10 | 45 mm | 65 mm | CTC-2186824 | 85.76 |
| TILT | | | | | | | |
| PDT1-UP | | | | | | | |
| | 2749931 | | I-U-10 | 35 mm | 70 mm | CTC-2666140 | 56.16 |
| TILT LH | | | | | | | |
| PDT1-UP | | | | | | | |
| | 2303687 | | P-U-10 | 35 mm | 70 mm | CTC-2186822 | 101.27 |
| TILT RH | | | | | | | |
| PDT1-UP | | | | | | | |
| | 2303697 | | P-U-10 | 35 mm | 70 mm | CTC-2186822 | 101.27 |
| MODEL 262C | | | | | | | |
| ANGLE BLADE | | | | | | | |
| MST1-UP | | | | | | | |
| | 225952 | | P-U-10 | 32 mm | 63 mm | CTC-1771958 | 94.81 |
| | 2749930 | | I-U-10 | 35 mm | 70 mm | CTC-2666140 | 56.16 |
| BUCKET | | | | | | | |
| MST1-UP | | | | | | | |
| | 1545018 | | P-U-10 | 30 mm | 60 mm | CTC-1643213 | 91.04 |
| | 2781969 | | I-U-10 | 30 mm | 60 mm | CTC-2781970 | 66.84 |
| | 2936264 | | I-U-10 | 30 mm | 50 mm | CTC-2620941 | 34.55 |
| GRAPPLE | | | | | | | |
| MST1-UP | | | | | | | |
| | 1649295 | | P-U-10 | 25 mm | 40 mm | CTC-1725285 | 78.24 |
| | 2550943 | | I-U-10 | 25 mm | 40 mm | CTC-2863591 | 28.31 |
| | 2781975 | | I-U-10 | 30 mm | 60 mm | CTC-2781970 | 66.84 |
| LIFT | | | | | | | |
| MST1-3376 | | | | | | | |
| | 2582516 | | P-U-10 | 45 mm | 65 mm | CTC-2186824 | 85.76 |
| MST1860-UP | | | | | | | |
| | 2935713 | | P-U-10 | 45 mm | 65 mm | CTC-3712737 | 64.20 |
| TILT | | | | | | | |
| MST1-UP | | | | | | | |
| | 2749931 | | I-U-10 | 35 mm | 70 mm | CTC-2666140 | 56.16 |
| TILT LH | | | | | | | |
| MST1-3357 | | | | | | | |
| | 2582515 | | P-U-10 | 35 mm | 75 mm | CTC-2583621 | 62.57 |
| MST1860-UP | | | | | | | |
| | 2935712 | | P-U-10 | 35 mm | 75 mm | CTC-3712751 | 62.21 |
| TILT RH | | | | | | | |
| MST1-3357 | | | | | | | |
| | 2582514 | | P-U-10 | 35 mm | 75 mm | CTC-2583621 | 62.57 |
| MST1860-UP | | | | | | | |
| | 2935711 | | P-U-10 | 35 mm | 75 mm | CTC-3712751 | 62.21 |

REPLACEMENT KITS FOR CATERPILLAR® EQUIPMENT

| Loaders - Skid Steer | | | | | | | |
|----------------------|---------------------------|--------------------------------|---------|-------|-------|-------------|-------|
| APPLICATION | CYL # | Misc-Parts, Instructions, etc. | CODE | ROD | BORE | KIT # | |
| MODEL 262C2 | | | | | | | |
| ANGLE BLADE | | | | | | | |
| | TMW1-UP | | | | | | |
| | 2749930 | | I-U-10 | 35 mm | 70 mm | CTC-2666140 | 56.16 |
| BUCKET | | | | | | | |
| | TMW1-UP | | | | | | |
| | 2781969 | | I-U-10 | 30 mm | 60 mm | CTC-2781970 | 66.84 |
| | 2936264 | | I-U-10 | 30 mm | 50 mm | CTC-2620941 | 34.55 |
| GRAPPLE | | | | | | | |
| | TMW1-UP | | | | | | |
| | 2550943 | | I-U-10 | 25 mm | 40 mm | CTC-2863591 | 28.31 |
| | 2781975 | | I-U-10 | 30 mm | 60 mm | CTC-2781970 | 66.84 |
| LIFT | | | | | | | |
| | TMW1-UP | | | | | | |
| | 2935713 | | P-U-10 | 45 mm | 65 mm | CTC-3712737 | 64.20 |
| | 2935713 | | Bushing | 45 mm | | CTC-2965141 | 11.84 |
| TILT | | | | | | | |
| | TMW1-UP | | | | | | |
| | 2749931 | | I-U-10 | 35 mm | 70 mm | CTC-2666140 | 56.16 |
| TILT LH | | | | | | | |
| | TMW1-UP | | | | | | |
| | 2935712 | | P-U-10 | 35 mm | 75 mm | CTC-3712751 | 62.21 |
| | 2935712 | | Bushing | 35 mm | | CTC-2965140 | 10.43 |
| TILT RH | | | | | | | |
| | TMW1-UP | | | | | | |
| | 2935711 | | P-U-10 | 35 mm | 75 mm | CTC-3712751 | 62.21 |
| | 2935711 | | Bushing | 35 mm | | CTC-2965140 | 10.43 |
| MODEL 262D | | | | | | | |
| ANGLE BLADE | | | | | | | |
| | DTB1-UP; KTS1-UP; LST1-UP | | | | | | |
| | 2749930 | | I-U-10 | 35 mm | 70 mm | CTC-2666140 | 56.16 |
| BUCKET | | | | | | | |
| | DTB1-UP; KTS1-UP; LST1-UP | | | | | | |
| | 2781969 | | I-U-10 | 30 mm | 60 mm | CTC-2781970 | 66.84 |
| GRAPPLE | | | | | | | |
| | DTB1-UP; KTS1-UP; LST1-UP | | | | | | |
| | 2550943 | | I-U-10 | 25 mm | 40 mm | CTC-2863591 | 28.31 |
| LIFT | | | | | | | |
| | DTB1-UP; KTS1-UP; LST1-UP | | | | | | |
| | 3779483 | | P-U-10 | 45 mm | 65 mm | CTC-3712737 | 64.20 |
| | 3779483 | | Bushing | 45 mm | | CTC-2965141 | 11.84 |
| TILT | | | | | | | |
| | DTB1-UP; KTS1-UP; LST1-UP | | | | | | |
| | 2749931 | | I-U-10 | 35 mm | 70 mm | CTC-2666140 | 56.16 |
| TILT LH | | | | | | | |
| | DTB1-UP; KTS1-UP; LST1-UP | | | | | | |
| | 2935712 | | P-U-10 | 35 mm | 75 mm | CTC-3712751 | 62.21 |
| | 2935712 | | Bushing | 35 mm | | CTC-2965140 | 10.43 |
| TILT RH | | | | | | | |
| | DTB1-UP; KTS1-UP; LST1-UP | | | | | | |
| | 2935711 | | P-U-10 | 35 mm | 75 mm | CTC-3712751 | 62.21 |
| | 2935711 | | Bushing | 35 mm | | CTC-2965140 | 10.43 |
| MODEL 268B | | | | | | | |
| ANGLE BLADE | | | | | | | |
| | LBA1-UP | | | | | | |
| | 2259521 | | P-U-10 | 32 mm | 63 mm | CTC-1771958 | 94.81 |

REPLACEMENT KITS FOR CATERPILLAR® EQUIPMENT

| Loaders - Skid Steer | | | | | | | |
|--------------------------|---------|--------------------------------|---------|-------|-------|-------------|--------|
| APPLICATION | CYL # | Misc-Parts, Instructions, etc. | CODE | ROD | BORE | KIT # | |
| MODEL 268B | | | | | | | |
| BUCKET | | | | | | | |
| LBA1-UP | | | | | | | |
| | 1545018 | | P-U-10 | 30 mm | 60 mm | CTC-1643213 | 91.04 |
| | 2781969 | | I-U-10 | 30 mm | 60 mm | CTC-2781970 | 66.84 |
| | 2936264 | | I-U-10 | 30 mm | 50 mm | CTC-2620941 | 34.55 |
| GRAPPLE | | | | | | | |
| LBA1-UP | | | | | | | |
| | 1565512 | | P-U-10 | 30 mm | 60 mm | CTC-1643213 | 91.04 |
| | 1649295 | | P-U-10 | 25 mm | 40 mm | CTC-1725285 | 78.24 |
| | 2550943 | | I-U-10 | 25 mm | 40 mm | CTC-2863591 | 28.31 |
| | 2781975 | | I-U-10 | 30 mm | 60 mm | CTC-2781970 | 66.84 |
| LIFT | | | | | | | |
| LBA1-UP | | | | | | | |
| | 2303705 | | P-U-10 | 45 mm | 65 mm | CTC-2186824 | 85.76 |
| TILT LH | | | | | | | |
| LBA1-UP | | | | | | | |
| | 2303687 | | P-U-10 | 35 mm | 70 mm | CTC-2186822 | 101.27 |
| TILT RH | | | | | | | |
| LBA1-UP | | | | | | | |
| | 2303697 | | P-U-10 | 35 mm | 70 mm | CTC-2186822 | 101.27 |
| MODEL 272C | | | | | | | |
| ANGLE BLADE | | | | | | | |
| RED1-UP | | | | | | | |
| | 2259521 | | P-U-10 | 32 mm | 63 mm | CTC-1771958 | 94.81 |
| | 2749930 | | I-U-10 | 35 mm | 70 mm | CTC-2666140 | 56.16 |
| BUCKET | | | | | | | |
| RED1-UP | | | | | | | |
| | 1545018 | | P-U-10 | 30 mm | 60 mm | CTC-1643213 | 91.04 |
| | 2781969 | | I-U-10 | 30 mm | 60 mm | CTC-2781970 | 66.84 |
| | 2936264 | | I-U-10 | 30 mm | 50 mm | CTC-2620941 | 34.55 |
| GRAPPLE | | | | | | | |
| RED1-UP | | | | | | | |
| | 1649295 | | P-U-10 | 25 mm | 40 mm | CTC-1725285 | 78.24 |
| | 2550943 | | I-U-10 | 25 mm | 40 mm | CTC-2863591 | 28.31 |
| | 2781975 | | I-U-10 | 30 mm | 60 mm | CTC-2781970 | 66.84 |
| LIFT | | | | | | | |
| RED1-2026; RED2029-2068 | | | | | | | |
| | 2582516 | | P-U-10 | 45 mm | 65 mm | CTC-2186824 | 85.76 |
| RED2027-2028; RED2069-UP | | | | | | | |
| | 2935713 | | P-U-10 | 45 mm | 65 mm | CTC-3712737 | 64.20 |
| | 2935713 | | Bushing | 45 mm | | CTC-2965141 | 11.84 |
| TILT | | | | | | | |
| RED1-UP | | | | | | | |
| | 2749931 | | I-U-10 | 35 mm | 70 mm | CTC-2666140 | 56.16 |
| TILT LH | | | | | | | |
| RED1-2026; RED2029-2064 | | | | | | | |
| | 2582515 | | P-U-10 | 35 mm | 75 mm | CTC-2583621 | 62.57 |
| RED2027-2028; RED2065-UP | | | | | | | |
| | 2935712 | | P-U-10 | 35 mm | 75 mm | CTC-3712751 | 62.21 |
| | 2935712 | | Bushing | 35 mm | | CTC-2965140 | 10.43 |
| TILT RH | | | | | | | |
| RED1-2026; RED2029-2064 | | | | | | | |
| | 2582514 | | P-U-10 | 35 mm | 75 mm | CTC-2583621 | 62.57 |
| RED2027-2028; RED2065-UP | | | | | | | |
| | 2935711 | | P-U-10 | 35 mm | 75 mm | CTC-3712751 | 62.21 |
| | 2935711 | | Bushing | 35 mm | | CTC-2965140 | 10.43 |

REPLACEMENT KITS FOR CATERPILLAR® EQUIPMENT

| Loaders - Skid Steer | | | | | | | |
|-----------------------|---------|--------------------------------|---------|-------|-------|-------------|-------|
| APPLICATION | CYL # | Misc-Parts, Instructions, etc. | CODE | ROD | BORE | KIT # | |
| MODEL 272D | | | | | | | |
| ANGLE BLADE | | | | | | | |
| BL21-UP; MD21-UP | | | | | | | |
| | 2259521 | | P-U-10 | 32 mm | 63 mm | CTC-1771958 | 94.81 |
| | 2749930 | | I-U-10 | 35 mm | 70 mm | CTC-2666140 | 56.16 |
| BUCKET | | | | | | | |
| BL21-UP; MD21-UP | | | | | | | |
| | 2781969 | | I-U-10 | 30 mm | 60 mm | CTC-2781970 | 66.84 |
| | 2936264 | | I-U-10 | 30 mm | 50 mm | CTC-2620941 | 34.55 |
| COUPLER | | | | | | | |
| BL21-UP; MD21-UP | | | | | | | |
| | 5154591 | | I-U-10 | 25 mm | 50 mm | CTC-5187949 | 75.56 |
| GRAPPLE | | | | | | | |
| BL21-UP; MD21-UP | | | | | | | |
| | 2550943 | | I-U-10 | 25 mm | 40 mm | CTC-2863591 | 28.31 |
| | 2781975 | | I-U-10 | 30 mm | 60 mm | CTC-2781970 | 66.84 |
| | 4817387 | | I-U-10 | 1-1/4 | 3 | CTC-5052263 | 79.76 |
| LIFT | | | | | | | |
| BL21-UP; MD21-UP | | | | | | | |
| | 4924504 | | I-U-10 | 50 mm | 70 mm | CTC-3806119 | 96.67 |
| TILT | | | | | | | |
| BL21-UP; MD21-UP | | | | | | | |
| | 2749931 | | I-U-10 | 35 mm | 70 mm | CTC-2666140 | 56.16 |
| TILT LH | | | | | | | |
| BL21-UP; MD21-UP | | | | | | | |
| | 2935712 | | P-U-10 | 35 mm | 75 mm | CTC-3712751 | 62.21 |
| | 2935712 | | Bushing | 35 mm | | CTC-2965140 | 10.43 |
| TILT RH | | | | | | | |
| BL21-UP; MD21-UP | | | | | | | |
| | 2935711 | | P-U-10 | 35 mm | 75 mm | CTC-3712751 | 62.21 |
| | 2935711 | | Bushing | 35 mm | | CTC-2965140 | 10.43 |
| MODEL 272D XHP | | | | | | | |
| ANGLE BLADE | | | | | | | |
| BL21-UP; MD21-UP | | | | | | | |
| | 2259521 | | P-U-10 | 32 mm | 63 mm | CTC-1771958 | 94.81 |
| | 2749930 | | I-U-10 | 35 mm | 70 mm | CTC-2666140 | 56.16 |
| BUCKET | | | | | | | |
| BL21-UP; MD21-UP | | | | | | | |
| | 2781969 | | I-U-10 | 30 mm | 60 mm | CTC-2781970 | 66.84 |
| | 2936264 | | I-U-10 | 30 mm | 50 mm | CTC-2620941 | 34.55 |
| COUPLER | | | | | | | |
| BL21-UP; MD21-UP | | | | | | | |
| | 5154591 | | I-U-10 | 25 mm | 50 mm | CTC-5187949 | 75.56 |
| GRAPPLE | | | | | | | |
| BL21-UP; MD21-UP | | | | | | | |
| | 2550943 | | I-U-10 | 25 mm | 40 mm | CTC-2863591 | 28.31 |
| | 2781975 | | I-U-10 | 30 mm | 60 mm | CTC-2781970 | 66.84 |
| | 4817387 | | I-U-10 | 1-1/4 | 3 | CTC-5052263 | 79.76 |
| LIFT | | | | | | | |
| BL21-UP; MD21-UP | | | | | | | |
| | 4924504 | | I-U-10 | 50 mm | 70 mm | CTC-3806119 | 96.67 |
| TILT | | | | | | | |
| BL21-UP; MD21-UP | | | | | | | |
| | 2749931 | | I-U-10 | 35 mm | 70 mm | CTC-2666140 | 56.16 |

REPLACEMENT KITS FOR CATERPILLAR® EQUIPMENT

| Loaders - Skid Steer | | | | | | | |
|---------------------------|---------|--------------------------------|---------|-------|-------|-------------|-------|
| APPLICATION | CYL # | Misc-Parts, Instructions, etc. | CODE | ROD | BORE | KIT # | |
| MODEL 272D XHP | | | | | | | |
| TILT LH | | | | | | | |
| BL21-UP; MD21-UP | | | | | | | |
| | 2935712 | | P-U-10 | 35 mm | 75 mm | CTC-3712751 | 62.21 |
| | 2935712 | | Bushing | 35 mm | | CTC-2965140 | 10.43 |
| TILT RH | | | | | | | |
| BL21-UP; MD21-UP | | | | | | | |
| | 2935711 | | P-U-10 | 35 mm | 75 mm | CTC-3712751 | 62.21 |
| | 2935711 | | Bushing | 35 mm | | CTC-2965140 | 10.43 |
| MODEL 272D2 | | | | | | | |
| ANGLE | | | | | | | |
| B5W1-UP; BL21-UP; MD21-UP | | | | | | | |
| | 2749930 | | I-U-10 | 35 mm | 70 mm | CTC-2666140 | 56.16 |
| ANGLE BLADE | | | | | | | |
| B5W1-UP; BL21-UP; MD21-UP | | | | | | | |
| | 2259521 | | P-U-10 | 32 mm | 63 mm | CTC-1771958 | 94.81 |
| BUCKET | | | | | | | |
| B5W1-UP; BL21-UP; MD21-UP | | | | | | | |
| | 2781969 | | I-U-10 | 30 mm | 60 mm | CTC-2781970 | 66.84 |
| | 2936264 | | I-U-10 | 30 mm | 50 mm | CTC-2620941 | 34.55 |
| | 5622803 | | P-U-10 | 30 mm | 60 mm | CTC-5799491 | 92.41 |
| COUPLER | | | | | | | |
| B5W1-UP; BL21-UP; MD21-UP | | | | | | | |
| | 5154591 | | I-U-10 | 25 mm | 50 mm | CTC-5187949 | 75.56 |
| GRAPPLE | | | | | | | |
| B5W1-UP; BL21-UP; MD21-UP | | | | | | | |
| | 2550943 | | I-U-10 | 25 mm | 40 mm | CTC-2863591 | 28.31 |
| | 2781975 | | I-U-10 | 30 mm | 60 mm | CTC-2781970 | 66.84 |
| | 4817387 | | I-U-10 | 1-1/4 | 3 | CTC-5052263 | 79.76 |
| | 5622802 | | P-U-10 | 30 mm | 60 mm | CTC-5799491 | 92.41 |
| LIFT | | | | | | | |
| B5W1-UP; BL21-UP; MD21-UP | | | | | | | |
| | 4924504 | | I-U-10 | 50 mm | 70 mm | CTC-3806119 | 96.67 |
| TILT | | | | | | | |
| B5W1-UP; BL21-UP; MD21-UP | | | | | | | |
| | 2749931 | | I-U-10 | 35 mm | 70 mm | CTC-2666140 | 56.16 |
| TILT LH | | | | | | | |
| B5W1-UP; BL21-UP; MD21-UP | | | | | | | |
| | 2935712 | | P-U-10 | 35 mm | 75 mm | CTC-3712751 | 62.21 |
| | 2935712 | | Bushing | 35 mm | | CTC-2965140 | 10.43 |
| TILT RH | | | | | | | |
| B5W1-UP; BL21-UP; MD21-UP | | | | | | | |
| | 2935711 | | P-U-10 | 35 mm | 75 mm | CTC-3712751 | 62.21 |
| | 2935711 | | Bushing | 35 mm | | CTC-2965140 | 10.43 |
| MODEL 272D2 XHP | | | | | | | |
| ANGLE | | | | | | | |
| BL21-UP; ETL1-UP; MD21-UP | | | | | | | |
| | 2749930 | | I-U-10 | 35 mm | 70 mm | CTC-2666140 | 56.16 |
| ANGLE BLADE | | | | | | | |
| BL21-UP; ETL1-UP; MD21-UP | | | | | | | |
| | 2259521 | | P-U-10 | 32 mm | 63 mm | CTC-1771958 | 94.81 |
| BUCKET | | | | | | | |
| BL21-UP; ETL1-UP; MD21-UP | | | | | | | |
| | 2781969 | | I-U-10 | 30 mm | 60 mm | CTC-2781970 | 66.84 |
| | 2936264 | | I-U-10 | 30 mm | 50 mm | CTC-2620941 | 34.55 |
| | 5622803 | | P-U-10 | 30 mm | 60 mm | CTC-5799491 | 92.41 |

REPLACEMENT KITS FOR CATERPILLAR® EQUIPMENT

| Loaders - Skid Steer | | | | | | | |
|----------------------------|---------|--------------------------------|---------|-------|-------|-------------|--------|
| APPLICATION | CYL # | Misc-Parts, Instructions, etc. | CODE | ROD | BORE | KIT # | |
| MODEL 272D2 XHP | | | | | | | |
| COUPLER | | | | | | | |
| BL21-UP; ETL1-UP; MD21-UP | | | | | | | |
| | 5154591 | | I-U-10 | 25 mm | 50 mm | CTC-5187949 | 75.56 |
| GRAPPLE | | | | | | | |
| BL21-UP; ETL1-UP; MD21-UP | | | | | | | |
| | 2550943 | | I-U-10 | 25 mm | 40 mm | CTC-2863591 | 28.31 |
| | 2781975 | | I-U-10 | 30 mm | 60 mm | CTC-2781970 | 66.84 |
| | 4817387 | | I-U-10 | 1-1/4 | 3 | CTC-5052263 | 79.76 |
| | 5622802 | | P-U-10 | 30 mm | 60 mm | CTC-5799491 | 92.41 |
| LIFT | | | | | | | |
| BL21-UP; ETL1-UP; MD21-UP | | | | | | | |
| | 4924504 | | I-U-10 | 50 mm | 70 mm | CTC-3806119 | 96.67 |
| TILT | | | | | | | |
| BL21-UP; ETL1-UP; MD21-UP | | | | | | | |
| | 2749931 | | I-U-10 | 35 mm | 70 mm | CTC-2666140 | 56.16 |
| TILT LH | | | | | | | |
| BL21-UP; ETL1-UP; MD21-UP | | | | | | | |
| | 2935712 | | P-U-10 | 35 mm | 75 mm | CTC-3712751 | 62.21 |
| | 2935712 | | Bushing | 35 mm | | CTC-2965140 | 10.43 |
| TILT RH | | | | | | | |
| BL21-UP; ETL1-UP; MD21-UP | | | | | | | |
| | 2935711 | | P-U-10 | 35 mm | 75 mm | CTC-3712751 | 62.21 |
| | 2935711 | | Bushing | 35 mm | | CTC-2965140 | 10.43 |
| Loaders - Track Skid Steer | | | | | | | |
| APPLICATION | CYL # | Misc-Parts, Instructions, etc. | CODE | ROD | BORE | KIT # | |
| MODEL 232B | | | | | | | |
| ANGLE BLADE | | | | | | | |
| SCH1-2474 | | | | | | | |
| | 2259521 | | P-U-10 | 32 mm | 63 mm | CTC-1771958 | 94.81 |
| | 2749930 | | I-U-10 | 35 mm | 70 mm | CTC-2666140 | 56.16 |
| BUCKET | | | | | | | |
| SCH1-2474 | | | | | | | |
| | 1545018 | | P-U-10 | 30 mm | 60 mm | CTC-1643213 | 91.04 |
| | 2781969 | | I-U-10 | 30 mm | 60 mm | CTC-2781970 | 66.84 |
| | 2936264 | | I-U-10 | 30 mm | 50 mm | CTC-2620941 | 34.55 |
| GRAPPLE | | | | | | | |
| SCH1-2474 | | | | | | | |
| | 1565512 | | P-U-10 | 30 mm | 60 mm | CTC-1643213 | 91.04 |
| | 1649295 | | P-U-10 | 25 mm | 40 mm | CTC-1725285 | 78.24 |
| | 2550943 | | I-U-10 | 25 mm | 40 mm | CTC-2863591 | 28.31 |
| | 2781975 | | I-U-10 | 30 mm | 60 mm | CTC-2781970 | 66.84 |
| LIFT | | | | | | | |
| SCH1-2474 | | | | | | | |
| | 2303703 | | P-U-10 | 45 mm | 60 mm | CTC-2186827 | 78.77 |
| LIIFT | | | | | | | |
| SCH1-2474 | | | | | | | |
| | 1919641 | | P-U-10 | 45 mm | 60 mm | CTC-1919605 | 98.11 |
| TILT | | | | | | | |
| SCH1-2474 | | | | | | | |
| | 2749931 | | I-U-10 | 35 mm | 70 mm | CTC-2666140 | 56.16 |
| TILT LH | | | | | | | |
| SCH1-2474 | | | | | | | |
| | 1779569 | | P-U-10 | 30 mm | 65 mm | CTC-1428963 | 135.74 |
| | 2303684 | | P-U-10 | 30 mm | 65 mm | CTC-2186825 | 78.42 |

REPLACEMENT KITS FOR CATERPILLAR® EQUIPMENT

| Loaders - Track Skid Steer | | | | | | | |
|----------------------------|---------|--------------------------------|---------|-------|-------|-------------|--------|
| APPLICATION | CYL # | Misc-Parts, Instructions, etc. | CODE | ROD | BORE | KIT # | |
| MODEL 232B | | | | | | | |
| TILT RH | | | | | | | |
| SCH1-2474 | | | | | | | |
| | 1779568 | | P-U-10 | 30 mm | 65 mm | CTC-1428963 | 135.74 |
| | 2303694 | | P-U-10 | 30 mm | 65 mm | CTC-2186825 | 78.42 |
| MODEL 232B2 | | | | | | | |
| ANGLE BLADE | | | | | | | |
| SCH2475-UP | | | | | | | |
| | 2259521 | | P-U-10 | 32 mm | 63 mm | CTC-1771958 | 94.81 |
| | 2749930 | | I-U-10 | 35 mm | 70 mm | CTC-2666140 | 56.16 |
| BUCKET | | | | | | | |
| SCH2475-UP | | | | | | | |
| | 2781969 | | I-U-10 | 30 mm | 60 mm | CTC-2781970 | 66.84 |
| | 2936264 | | I-U-10 | 30 mm | 50 mm | CTC-2620941 | 34.55 |
| GRAPPLE | | | | | | | |
| SCH2475-UP | | | | | | | |
| | 1649295 | | P-U-10 | 25 mm | 40 mm | CTC-1725285 | 78.24 |
| | 2550943 | | I-U-10 | 25 mm | 40 mm | CTC-2863591 | 28.31 |
| | 2781975 | | I-U-10 | 30 mm | 60 mm | CTC-2781970 | 66.84 |
| LIFT | | | | | | | |
| SCH2475-UP | | | | | | | |
| | 2303703 | | P-U-10 | 45 mm | 60 mm | CTC-2186827 | 78.77 |
| | 2935709 | | P-U-10 | 45 mm | 60 mm | CTC-3712727 | 56.88 |
| | 2935709 | | Bushing | 45 mm | | CTC-2965141 | 11.84 |
| TILT | | | | | | | |
| SCH2475-UP | | | | | | | |
| | 2749931 | | I-U-10 | 35 mm | 70 mm | CTC-2666140 | 56.16 |
| TILT LH | | | | | | | |
| SCH2475-UP | | | | | | | |
| | 2303684 | | P-U-10 | 30 mm | 65 mm | CTC-2186825 | 78.42 |
| | 2935708 | | P-U-10 | 30 mm | 65 mm | CTC-3712718 | 62.84 |
| | 2935708 | | Bushing | 30 mm | | CTC-2965139 | 9.40 |
| TILT RH | | | | | | | |
| SCH2475-UP | | | | | | | |
| | 2303694 | | P-U-10 | 30 mm | 65 mm | CTC-2186825 | 78.42 |
| | 2935707 | | P-U-10 | 30 mm | 65 mm | CTC-3712718 | 62.84 |
| | 2935707 | | Bushing | 30 mm | | CTC-2965139 | 9.40 |
| MODEL 232D | | | | | | | |
| ANGLE BLADE | | | | | | | |
| DPR1-UP; KXC1-UP | | | | | | | |
| | 2749930 | | I-U-10 | 35 mm | 70 mm | CTC-2666140 | 56.16 |
| BUCKET | | | | | | | |
| DPR1-UP; KXC1-UP | | | | | | | |
| | 2781969 | | I-U-10 | 30 mm | 60 mm | CTC-2781970 | 66.84 |
| | 5622803 | | P-U-10 | 30 mm | 60 mm | CTC-5799491 | 92.41 |
| COUPLER | | | | | | | |
| DPR1-UP; KXC1-UP | | | | | | | |
| | 5154591 | | I-U-10 | 25 mm | 50 mm | CTC-5187949 | 75.56 |
| GRAPPLE | | | | | | | |
| DPR1-UP; KXC1-UP | | | | | | | |
| | 4827647 | | I-U-10 | 1-1/4 | 3 | CTC-5052263 | 79.76 |
| LIFT | | | | | | | |
| DPR1-UP; KXC1-UP | | | | | | | |
| | 4572318 | | P-U-10 | 45 mm | 65 mm | CTC-3712737 | 64.20 |
| | 4572318 | | Bushing | 45 mm | | CTC-2965141 | 11.84 |
| | 4572361 | | P-U-10 | 45 mm | 65 mm | CTC-3712737 | 64.20 |
| | 4572361 | | Bushing | 45 mm | | CTC-2965141 | 11.84 |

REPLACEMENT KITS FOR CATERPILLAR® EQUIPMENT

| Loaders - Track Skid Steer | | | | | | | |
|----------------------------|------------------|--------------------------------|---------|-------|-------|--------------|-------|
| APPLICATION | CYL # | Misc-Parts, Instructions, etc. | CODE | ROD | BORE | KIT # | |
| MODEL 232D | | | | | | | |
| TILT | | | | | | | |
| | DPR1-UP; KXC1-UP | | | | | | |
| | 2749931 | | I-U-10 | 35 mm | 70 mm | CTC-2666140 | 56.16 |
| TILT LH | | | | | | | |
| | DPR1-UP; KXC1-UP | | | | | | |
| | 4571619 | | P-U-10 | 30 mm | 65 mm | CTC-3712718 | 62.84 |
| | 4571619 | | Bushing | 30 mm | | CTC-2965139 | 9.40 |
| TILT RH | | | | | | | |
| | DPR1-UP; KXC1-UP | | | | | | |
| | 4571613 | | P-U-10 | 30 mm | 65 mm | CTC-3712718 | 62.84 |
| | 4571613 | | Bushing | 30 mm | | CTC-2965139 | 9.40 |
| MODEL 239D | | | | | | | |
| ANGLE BLADE | | | | | | | |
| | BL91-UP; CD41-UP | | | | | | |
| | 2749930 | | I-U-10 | 35 mm | 70 mm | CTC-2666140 | 56.16 |
| BUCKET | | | | | | | |
| | BL91-UP; CD41-UP | | | | | | |
| | 2781969 | | I-U-10 | 30 mm | 60 mm | CTC-2781970 | 66.84 |
| COUPLER | | | | | | | |
| | BL91-UP; CD41-UP | | | | | | |
| | 5154591 | | I-U-10 | 25 mm | 50 mm | CTC-5187949 | 75.56 |
| GRAPPLE | | | | | | | |
| | BL91-UP; CD41-UP | | | | | | |
| | 4817387 | | I-U-10 | 1-1/4 | 3 | CTC-5052263 | 79.76 |
| LIFT | | | | | | | |
| | BL91-UP; CD41-UP | | | | | | |
| | 4321218 | | P-U-10 | 40 mm | 55 mm | CTC-4397329 | 51.89 |
| | 4321218 | | Bushing | 40 mm | | CTC-2974130 | 4.59 |
| TILT | | | | | | | |
| | BL91-UP; CD41-UP | | | | | | |
| | 2749931 | | I-U-10 | 35 mm | 70 mm | CTC-2666140 | 56.16 |
| | 4571613 | | P-U-10 | 30 mm | 65 mm | CTC-3712718 | 62.84 |
| | 4571613 | | Bushing | 30 mm | | CTC-2965139 | 9.40 |
| | 4571619 | | P-U-10 | 30 mm | 65 mm | CTC-3712718 | 62.84 |
| | 4571619 | | Bushing | 30 mm | | CTC-2965139 | 9.40 |
| TRACK ADJUSTER | | | | | | | |
| | BL91-UP; CD41-UP | | | | | | |
| | 4209806 | | TRK ADJ | | | CTC-SK100207 | 37.35 |
| MODEL 247B | | | | | | | |
| ANGLE BLADE | | | | | | | |
| | MTL1-5074 | | | | | | |
| | 2259521 | | P-U-10 | 32 mm | 63 mm | CTC-1771958 | 94.81 |
| | 2749930 | | I-U-10 | 35 mm | 70 mm | CTC-2666140 | 56.16 |
| BUCKET | | | | | | | |
| | MTL1-5074 | | | | | | |
| | 1545018 | | P-U-10 | 30 mm | 60 mm | CTC-1643213 | 91.04 |
| | 2781969 | | I-U-10 | 30 mm | 60 mm | CTC-2781970 | 66.84 |
| | 2936264 | | I-U-10 | 30 mm | 50 mm | CTC-2620941 | 34.55 |
| GRAPPLE | | | | | | | |
| | MTL1-5074 | | | | | | |
| | 1565512 | | P-U-10 | 30 mm | 60 mm | CTC-1643213 | 91.04 |
| | 1649295 | | P-U-10 | 25 mm | 40 mm | CTC-1725285 | 78.24 |
| | 2550943 | | I-U-10 | 25 mm | 40 mm | CTC-2863591 | 28.31 |
| | 2781975 | | I-U-10 | 30 mm | 60 mm | CTC-2781970 | 66.84 |

REPLACEMENT KITS FOR CATERPILLAR® EQUIPMENT

| Loaders - Track Skid Steer | | | | | | | |
|----------------------------|---------|--------------------------------|---------|-------|-------|-------------|-------|
| APPLICATION | CYL # | Misc-Parts, Instructions, etc. | CODE | ROD | BORE | KIT # | |
| MODEL 247B | | | | | | | |
| LIFT LH | | | | | | | |
| MTL1-5074 | | | | | | | |
| | 2303683 | | P-U-10 | 35 mm | 50 mm | CTC-2186826 | 52.22 |
| LIFT RH | | | | | | | |
| MTL1-5074 | | | | | | | |
| | 2303693 | | P-U-10 | 35 mm | 50 mm | CTC-2186826 | 52.22 |
| TILT | | | | | | | |
| MTL1-5074 | | | | | | | |
| | 2749931 | | I-U-10 | 35 mm | 70 mm | CTC-2666140 | 56.16 |
| TILT LH | | | | | | | |
| MTL1-5074 | | | | | | | |
| | 2303684 | | P-U-10 | 30 mm | 65 mm | CTC-2186825 | 78.42 |
| TILT RH | | | | | | | |
| MTL1-5074 | | | | | | | |
| | 2303694 | | P-U-10 | 30 mm | 65 mm | CTC-2186825 | 78.42 |
| MODEL 247B2 | | | | | | | |
| ANGLE BLADE | | | | | | | |
| MTL5075-UP | | | | | | | |
| | 2259521 | | P-U-10 | 32 mm | 63 mm | CTC-1771958 | 94.81 |
| | 2749930 | | I-U-10 | 35 mm | 70 mm | CTC-2666140 | 56.16 |
| | 2749931 | | I-U-10 | 35 mm | 70 mm | CTC-2666140 | 56.16 |
| BUCKET | | | | | | | |
| MTL5075-UP | | | | | | | |
| | 2781969 | | I-U-10 | 30 mm | 60 mm | CTC-2781970 | 66.84 |
| | 2936264 | | I-U-10 | 30 mm | 50 mm | CTC-2620941 | 34.55 |
| GRAPPLE | | | | | | | |
| MTL5075-UP | | | | | | | |
| | 1649295 | | P-U-10 | 25 mm | 40 mm | CTC-1725285 | 78.24 |
| | 2550943 | | I-U-10 | 25 mm | 40 mm | CTC-2863591 | 28.31 |
| | 2781975 | | I-U-10 | 30 mm | 60 mm | CTC-2781970 | 66.84 |
| LIFT LH | | | | | | | |
| MTL5075-6744; MTL6751-6801 | | | | | | | |
| | 2303683 | | P-U-10 | 35 mm | 50 mm | CTC-2186826 | 52.22 |
| MTL6745-6750; MTL6802-UP | | | | | | | |
| | 2935706 | | P-U-10 | 35 mm | 50 mm | CTC-3712697 | 56.51 |
| | 2935706 | | Bushing | 35 mm | | CTC-2965140 | 10.43 |
| LIFT RH | | | | | | | |
| MTL5075-6744; MTL6751-6801 | | | | | | | |
| | 2303693 | | P-U-10 | 35 mm | 50 mm | CTC-2186826 | 52.22 |
| MTL6745-6750; MTL6802-UP | | | | | | | |
| | 2935705 | | P-U-10 | 35 mm | 50 mm | CTC-3712697 | 56.51 |
| | 2935705 | | Bushing | 35 mm | | CTC-2965140 | 10.43 |
| TILT LH | | | | | | | |
| MTL5075-6744; MTL6751-6801 | | | | | | | |
| | 2303684 | | P-U-10 | 30 mm | 65 mm | CTC-2186825 | 78.42 |
| MTL6745-6750; MTL6802-UP | | | | | | | |
| | 2935708 | | P-U-10 | 30 mm | 65 mm | CTC-3712718 | 62.84 |
| | 2935708 | | Bushing | 30 mm | | CTC-2965139 | 9.40 |
| TILT RH | | | | | | | |
| MTL5075-6744; MTL6751-6801 | | | | | | | |
| | 2303694 | | P-U-10 | 30 mm | 65 mm | CTC-2186825 | 78.42 |
| MTL6745-6750; MTL6802-UP | | | | | | | |
| | 2935707 | | P-U-10 | 30 mm | 65 mm | CTC-3712718 | 62.84 |
| | 2935707 | | Bushing | 30 mm | | CTC-2965139 | 9.40 |

REPLACEMENT KITS FOR CATERPILLAR® EQUIPMENT

| Loaders - Track Skid Steer | | | | | | | |
|----------------------------|---------|--------------------------------|---------|-------|-------|-------------|-------|
| APPLICATION | CYL # | Misc-Parts, Instructions, etc. | CODE | ROD | BORE | KIT # | |
| MODEL 247B3 | | | | | | | |
| ANGLE BLADE | | | | | | | |
| ESL1-UP; KB31-UP; TSL1-UP | | | | | | | |
| | 2259521 | | P-U-10 | 32 mm | 63 mm | CTC-1771958 | 94.81 |
| | 2749930 | | I-U-10 | 35 mm | 70 mm | CTC-2666140 | 56.16 |
| BUCKET | | | | | | | |
| ESL1-UP; KB31-UP; TSL1-UP | | | | | | | |
| | 2781969 | | I-U-10 | 30 mm | 60 mm | CTC-2781970 | 66.84 |
| | 2936264 | | I-U-10 | 30 mm | 50 mm | CTC-2620941 | 34.55 |
| KB31-UP; TSL1-UP | | | | | | | |
| | 1545018 | | P-U-10 | 30 mm | 60 mm | CTC-1643213 | 91.04 |
| GRAPPLE | | | | | | | |
| ESL1-UP; KB31-UP; TSL1-UP | | | | | | | |
| | 2550943 | | I-U-10 | 25 mm | 40 mm | CTC-2863591 | 28.31 |
| | 2781975 | | I-U-10 | 30 mm | 60 mm | CTC-2781970 | 66.84 |
| LIFT LH | | | | | | | |
| ESL1-UP; KB31-UP; TSL1-UP | | | | | | | |
| | 2935706 | | P-U-10 | 35 mm | 50 mm | CTC-3712697 | 56.51 |
| | 2935706 | | Bushing | 35 mm | | CTC-2965140 | 10.43 |
| LIFT RH | | | | | | | |
| ESL1-UP; KB31-UP; TSL1-UP | | | | | | | |
| | 2935705 | | P-U-10 | 35 mm | 50 mm | CTC-3712697 | 56.51 |
| | 2935705 | | Bushing | 35 mm | | CTC-2965140 | 10.43 |
| TILT | | | | | | | |
| ESL1-UP; KB31-UP; TSL1-UP | | | | | | | |
| | 2749931 | | I-U-10 | 35 mm | 70 mm | CTC-2666140 | 56.16 |
| TILT LH | | | | | | | |
| ESL1-UP; KB31-UP; TSL1-UP | | | | | | | |
| | 2935708 | | P-U-10 | 30 mm | 65 mm | CTC-3712718 | 62.84 |
| | 2935708 | | Bushing | 30 mm | | CTC-2965139 | 9.40 |
| TILT RH | | | | | | | |
| ESL1-UP; KB31-UP; TSL1-UP | | | | | | | |
| | 2935707 | | P-U-10 | 30 mm | 65 mm | CTC-3712718 | 62.84 |
| | 2935707 | | Bushing | 30 mm | | CTC-2965139 | 9.40 |
| MODEL 249D | | | | | | | |
| ANGLE BLADE | | | | | | | |
| AH91-UP; GWR1-UP | | | | | | | |
| | 2749930 | | I-U-10 | 35 mm | 70 mm | CTC-2666140 | 56.16 |
| BUCKET | | | | | | | |
| AH91-UP; GWR1-UP | | | | | | | |
| | 2781969 | | I-U-10 | 30 mm | 60 mm | CTC-2781970 | 66.84 |
| COUPLER | | | | | | | |
| AH91-UP; GWR1-UP | | | | | | | |
| | 5154591 | | I-U-10 | 25 mm | 50 mm | CTC-5187949 | 75.56 |
| GRAPPLE | | | | | | | |
| AH91-UP; GWR1-UP | | | | | | | |
| | 4817387 | | I-U-10 | 1-1/4 | 3 | CTC-5052263 | 79.76 |
| LIFT | | | | | | | |
| AH91-UP; GWR1-UP | | | | | | | |
| | 4572318 | | P-U-10 | 45 mm | 65 mm | CTC-3712737 | 64.20 |
| | 4572318 | | Bushing | 45 mm | | CTC-2965141 | 11.84 |
| | 4572361 | | P-U-10 | 45 mm | 65 mm | CTC-3712737 | 64.20 |
| | 4572361 | | Bushing | 45 mm | | CTC-2965141 | 11.84 |

REPLACEMENT KITS FOR CATERPILLAR® EQUIPMENT

| Loaders - Track Skid Steer | | | | | | | |
|----------------------------|---------|--------------------------------|---------|-------|-------|--------------|-------|
| APPLICATION | CYL # | Misc-Parts, Instructions, etc. | CODE | ROD | BORE | KIT # | |
| MODEL 249D | | | | | | | |
| TILT | | | | | | | |
| AH91-UP; GWR1-UP | | | | | | | |
| | 2749931 | | I-U-10 | 35 mm | 70 mm | CTC-2666140 | 56.16 |
| | 4571613 | | P-U-10 | 30 mm | 65 mm | CTC-3712718 | 62.84 |
| | 4571613 | | Bushing | 30 mm | | CTC-2965139 | 9.40 |
| | 4571619 | | P-U-10 | 30 mm | 65 mm | CTC-3712718 | 62.84 |
| | 4571619 | | Bushing | 30 mm | | CTC-2965139 | 9.40 |
| TRACK ADJUSTER | | | | | | | |
| AH91-UP; GWR1-UP | | | | | | | |
| | 4209806 | | TRK ADJ | | | CTC-SK100207 | 37.35 |
| MODEL 257B | | | | | | | |
| ANGLE BLADE | | | | | | | |
| SLK1-7299 | | | | | | | |
| | 2259521 | | P-U-10 | 32 mm | 63 mm | CTC-1771958 | 94.81 |
| | 2749930 | | I-U-10 | 35 mm | 70 mm | CTC-2666140 | 56.16 |
| BUCKET | | | | | | | |
| SLK1-7299 | | | | | | | |
| | 1545018 | | P-U-10 | 30 mm | 60 mm | CTC-1643213 | 91.04 |
| | 2781969 | | I-U-10 | 30 mm | 60 mm | CTC-2781970 | 66.84 |
| | 2936264 | | I-U-10 | 30 mm | 50 mm | CTC-2620941 | 34.55 |
| GRAPPLE | | | | | | | |
| SLK1-7299 | | | | | | | |
| | 1565512 | | P-U-10 | 30 mm | 60 mm | CTC-1643213 | 91.04 |
| | 1649295 | | P-U-10 | 25 mm | 40 mm | CTC-1725285 | 78.24 |
| | 2781975 | | I-U-10 | 30 mm | 60 mm | CTC-2781970 | 66.84 |
| LIFT | | | | | | | |
| SLK1-7299 | | | | | | | |
| | 2303703 | | P-U-10 | 45 mm | 60 mm | CTC-2186827 | 78.77 |
| TILT | | | | | | | |
| SLK1-7299 | | | | | | | |
| | 2749931 | | I-U-10 | 35 mm | 70 mm | CTC-2666140 | 56.16 |
| TILT LH | | | | | | | |
| SLK1-7299 | | | | | | | |
| | 2303684 | | P-U-10 | 30 mm | 65 mm | CTC-2186825 | 78.42 |
| TILT RH | | | | | | | |
| SLK1-7299 | | | | | | | |
| | 2303694 | | P-U-10 | 30 mm | 65 mm | CTC-2186825 | 78.42 |
| MODEL 257B2 | | | | | | | |
| ANGLE BLADE | | | | | | | |
| SLK7300-UP | | | | | | | |
| | 2259521 | | P-U-10 | 32 mm | 63 mm | CTC-1771958 | 94.81 |
| | 2749930 | | I-U-10 | 35 mm | 70 mm | CTC-2666140 | 56.16 |
| BUCKET | | | | | | | |
| SLK7300-UP | | | | | | | |
| | 2781969 | | I-U-10 | 30 mm | 60 mm | CTC-2781970 | 66.84 |
| | 2936264 | | I-U-10 | 30 mm | 50 mm | CTC-2620941 | 34.55 |
| GRAPPLE | | | | | | | |
| SLK7300-UP | | | | | | | |
| | 1649295 | | P-U-10 | 25 mm | 40 mm | CTC-1725285 | 78.24 |
| | 2550943 | | I-U-10 | 25 mm | 40 mm | CTC-2863591 | 28.31 |
| | 2781975 | | I-U-10 | 30 mm | 60 mm | CTC-2781970 | 66.84 |
| LIFT | | | | | | | |
| SLK7300-UP | | | | | | | |
| | 2303703 | | P-U-10 | 45 mm | 60 mm | CTC-2186827 | 78.77 |

REPLACEMENT KITS FOR CATERPILLAR® EQUIPMENT

| Loaders - Track Skid Steer | | | | | | | |
|----------------------------|---------|--------------------------------|---------|-------|-------|-------------|-------|
| APPLICATION | CYL # | Misc-Parts, Instructions, etc. | CODE | ROD | BORE | KIT # | |
| MODEL 257B2 | | | | | | | |
| TILT | | | | | | | |
| SLK7300-UP | | | | | | | |
| | 2749931 | | I-U-10 | 35 mm | 70 mm | CTC-2666140 | 56.16 |
| TILT LH | | | | | | | |
| SLK7300-UP | | | | | | | |
| | 2303684 | | P-U-10 | 30 mm | 65 mm | CTC-2186825 | 78.42 |
| TILT RH | | | | | | | |
| SLK7300-UP | | | | | | | |
| | 2303694 | | P-U-10 | 30 mm | 65 mm | CTC-2186825 | 78.42 |
| MODEL 257B3 | | | | | | | |
| ANGLE BLADE | | | | | | | |
| B7H1-UP | | | | | | | |
| | 2259521 | | P-U-10 | 32 mm | 63 mm | CTC-1771958 | 94.81 |
| | 2749930 | | I-U-10 | 35 mm | 70 mm | CTC-2666140 | 56.16 |
| BUCKET | | | | | | | |
| B7H1-UP | | | | | | | |
| | 1545018 | | P-U-10 | 30 mm | 60 mm | CTC-1643213 | 91.04 |
| | 2781969 | | I-U-10 | 30 mm | 60 mm | CTC-2781970 | 66.84 |
| | 2936264 | | I-U-10 | 30 mm | 50 mm | CTC-2620941 | 34.55 |
| GRAPPLE | | | | | | | |
| B7H1-UP | | | | | | | |
| | 2550943 | | I-U-10 | 25 mm | 40 mm | CTC-2863591 | 28.31 |
| | 2781975 | | I-U-10 | 30 mm | 60 mm | CTC-2781970 | 66.84 |
| LIFT | | | | | | | |
| B7H1-UP | | | | | | | |
| | 3294955 | | P-U-10 | 45 mm | 65 mm | CTC-3712737 | 64.20 |
| TILT | | | | | | | |
| B7H1-UP | | | | | | | |
| | 2749931 | | I-U-10 | 35 mm | 70 mm | CTC-2666140 | 56.16 |
| TILT LH | | | | | | | |
| B7H1-UP | | | | | | | |
| | 3294954 | | P-U-10 | 35 mm | 70 mm | CTC-3712760 | 58.57 |
| | 3294954 | | Bushing | 35 mm | | CTC-2965140 | 10.43 |
| TILT RH | | | | | | | |
| B7H1-UP | | | | | | | |
| | 3294953 | | P-U-10 | 35 mm | 70 mm | CTC-3712760 | 58.57 |
| | 3294953 | | Bushing | 35 mm | | CTC-2965140 | 10.43 |
| MODEL 257D | | | | | | | |
| ANGLE BLADE | | | | | | | |
| EML1-UP; EZW1-UP; FMR1-UP | | | | | | | |
| | 2259521 | | P-U-10 | 32 mm | 63 mm | CTC-1771958 | 94.81 |
| | 2749930 | | I-U-10 | 35 mm | 70 mm | CTC-2666140 | 56.16 |
| BUCKET | | | | | | | |
| EML1-UP; EZW1-UP; FMR1-UP | | | | | | | |
| | 2781969 | | I-U-10 | 30 mm | 60 mm | CTC-2781970 | 66.84 |
| | 2936264 | | I-U-10 | 30 mm | 50 mm | CTC-2620941 | 34.55 |
| COUPLER | | | | | | | |
| EML1-UP; EZW1-UP; FMR1-UP | | | | | | | |
| | 5154591 | | I-U-10 | 25 mm | 50 mm | CTC-5187949 | 75.56 |
| GRAPPLE | | | | | | | |
| EML1-UP; EZW1-UP; FMR1-UP | | | | | | | |
| | 2550943 | | I-U-10 | 25 mm | 40 mm | CTC-2863591 | 28.31 |
| | 2781975 | | I-U-10 | 30 mm | 60 mm | CTC-2781970 | 66.84 |
| | 4817387 | | I-U-10 | 1-1/4 | 3 | CTC-5052263 | 79.76 |

CATERPILLAR®

REPLACEMENT KITS FOR CATERPILLAR® EQUIPMENT

| Loaders - Track Skid Steer | | | | | | | |
|----------------------------|---------------------------|--------------------------------|---------|-------|-------|-------------|-------|
| APPLICATION | CYL # | Misc-Parts, Instructions, etc. | CODE | ROD | BORE | KIT # | |
| MODEL 257D | | | | | | | |
| LIFT | | | | | | | |
| | EML1-UP; EZW1-UP; FMR1-UP | | | | | | |
| | 3805668 | | P-U-10 | 45 mm | 65 mm | CTC-3712737 | 64.20 |
| TILT | | | | | | | |
| | EML1-UP; EZW1-UP; FMR1-UP | | | | | | |
| | 2749931 | | I-U-10 | 35 mm | 70 mm | CTC-2666140 | 56.16 |
| TILT LH | | | | | | | |
| | EML1-UP; EZW1-UP; FMR1-UP | | | | | | |
| | 3787964 | | P-U-10 | 35 mm | 70 mm | CTC-3712760 | 58.57 |
| TILT RH | | | | | | | |
| | EML1-UP; EZW1-UP; FMR1-UP | | | | | | |
| | 3787963 | | P-U-10 | 35 mm | 70 mm | CTC-3712760 | 58.57 |
| MODEL 259B3 | | | | | | | |
| ANGLE BLADE | | | | | | | |
| | YYZ1-UP | | | | | | |
| | 2259521 | | P-U-10 | 32 mm | 63 mm | CTC-1771958 | 94.81 |
| | 2749930 | | I-U-10 | 35 mm | 70 mm | CTC-2666140 | 56.16 |
| BUCKET | | | | | | | |
| | YYZ1-UP | | | | | | |
| | 1545018 | | P-U-10 | 30 mm | 60 mm | CTC-1643213 | 91.04 |
| | 2781969 | | I-U-10 | 30 mm | 60 mm | CTC-2781970 | 66.84 |
| | 2936264 | | I-U-10 | 30 mm | 50 mm | CTC-2620941 | 34.55 |
| GRAPPLE | | | | | | | |
| | YYZ1-UP | | | | | | |
| | 2550843 | | I-U-10 | 25 mm | 40 mm | CTC-2863591 | 28.31 |
| | 2781975 | | I-U-10 | 30 mm | 60 mm | CTC-2781970 | 66.84 |
| LIFT | | | | | | | |
| | YYZ1-UP | | | | | | |
| | 3294955 | | P-U-10 | 45 mm | 65 mm | CTC-3712737 | 64.20 |
| TILT | | | | | | | |
| | YYZ1-UP | | | | | | |
| | 2749931 | | I-U-10 | 35 mm | 70 mm | CTC-2666140 | 56.16 |
| TILT LH | | | | | | | |
| | YYZ1-UP | | | | | | |
| | 3294954 | | P-U-10 | 35 mm | 70 mm | CTC-3712760 | 58.57 |
| | 3294954 | | Bushing | 35 mm | | CTC-2965140 | 10.43 |
| TILT RH | | | | | | | |
| | YYZ1-UP | | | | | | |
| | 3294953 | | P-U-10 | 35 mm | 70 mm | CTC-3712760 | 58.57 |
| | 3294953 | | Bushing | 35 mm | | CTC-2965140 | 10.43 |
| MODEL 259D | | | | | | | |
| ANGLE BLADE | | | | | | | |
| | FTK1-UP; FTL1-UP; GTK1-UP | | | | | | |
| | 2259521 | | P-U-10 | 32 mm | 63 mm | CTC-1771958 | 94.81 |
| | 2749930 | | I-U-10 | 35 mm | 70 mm | CTC-2666140 | 56.16 |
| BUCKET | | | | | | | |
| | FTK1-UP; FTL1-UP; GTK1-UP | | | | | | |
| | 2781969 | | I-U-10 | 30 mm | 60 mm | CTC-2781970 | 66.84 |
| | 2936264 | | I-U-10 | 30 mm | 50 mm | CTC-2620941 | 34.55 |
| GRAPPLE | | | | | | | |
| | FTK1-UP; FTL1-UP; GTK1-UP | | | | | | |
| | 2550943 | | I-U-10 | 25 mm | 40 mm | CTC-2863591 | 28.31 |
| | 2781975 | | I-U-10 | 30 mm | 60 mm | CTC-2781970 | 66.84 |

REPLACEMENT KITS FOR CATERPILLAR® EQUIPMENT

| Loaders - Track Skid Steer | | | | | | | |
|----------------------------|-------|--------------------------------|---------|-------|-------|-------------|--------|
| APPLICATION | CYL # | Misc-Parts, Instructions, etc. | CODE | ROD | BORE | KIT # | |
| MODEL 259D | | | | | | | |
| LIFT | | | | | | | |
| FTK1-UP; FTL1-UP; GTK1-UP | | | | | | | |
| 3805668 | | | P-U-10 | 45 mm | 65 mm | CTC-3712737 | 64.20 |
| 3805668 | | | Bushing | 45 mm | | CTC-2965141 | 11.84 |
| TILT | | | | | | | |
| FTK1-UP; FTL1-UP; GTK1-UP | | | | | | | |
| 2749931 | | | I-U-10 | 35 mm | 70 mm | CTC-2666140 | 56.16 |
| TILT LH | | | | | | | |
| FTK1-UP; FTL1-UP; GTK1-UP | | | | | | | |
| 3787964 | | | P-U-10 | 35 mm | 70 mm | CTC-3712760 | 58.57 |
| 3787964 | | | Bushing | 35 mm | | CTC-2965140 | 10.43 |
| TILT RH | | | | | | | |
| FTK1-UP; FTL1-UP; GTK1-UP | | | | | | | |
| 3787963 | | | P-U-10 | 35 mm | 70 mm | CTC-3712760 | 58.57 |
| 3787963 | | | Bushing | 35 mm | | CTC-2965140 | 10.43 |
| MODEL 267B | | | | | | | |
| ANGLE BLADE | | | | | | | |
| CYC1-UP | | | | | | | |
| 2259521 | | | P-U-10 | 32 mm | 63 mm | CTC-1771958 | 94.81 |
| 2749930 | | | I-U-10 | 35 mm | 70 mm | CTC-2666140 | 56.16 |
| BUCKET | | | | | | | |
| CYC1-UP | | | | | | | |
| 1545018 | | | P-U-10 | 30 mm | 60 mm | CTC-1643213 | 91.04 |
| 2781969 | | | I-U-10 | 30 mm | 60 mm | CTC-2781970 | 66.84 |
| 2936264 | | | I-U-10 | 30 mm | 50 mm | CTC-2620941 | 34.55 |
| GRAPPLE | | | | | | | |
| CYC1-UP | | | | | | | |
| 1565512 | | | P-U-10 | 30 mm | 60 mm | CTC-1643213 | 91.04 |
| 1649295 | | | P-U-10 | 25 mm | 40 mm | CTC-1725285 | 78.24 |
| 2550943 | | | I-U-10 | 25 mm | 40 mm | CTC-2863591 | 28.31 |
| 2781975 | | | I-U-10 | 30 mm | 60 mm | CTC-2781970 | 66.84 |
| LIFT LH | | | | | | | |
| CYC1-UP | | | | | | | |
| 2303685 | | | P-U-10 | 40 mm | 60 mm | CTC-2186823 | 81.28 |
| LIFT RH | | | | | | | |
| CYC1-UP | | | | | | | |
| 2303695 | | | P-U-10 | 40 mm | 60 mm | CTC-2186823 | 81.28 |
| TILT | | | | | | | |
| CYC1-UP | | | | | | | |
| 2749931 | | | I-U-10 | 35 mm | 70 mm | CTC-2666140 | 56.16 |
| TILT LH | | | | | | | |
| CYC1-UP | | | | | | | |
| 2303687 | | | P-U-10 | 35 mm | 70 mm | CTC-2186822 | 101.27 |
| TILT RH | | | | | | | |
| CYC1-UP | | | | | | | |
| 2303697 | | | P-U-10 | 35 mm | 70 mm | CTC-2186822 | 101.27 |
| MODEL 272D | | | | | | | |
| ANGLE BLADE | | | | | | | |
| B5W1-UP; GSL1-UP | | | | | | | |
| 2749930 | | | I-U-10 | 35 mm | 70 mm | CTC-2666140 | 56.16 |
| BUCKET | | | | | | | |
| B5W1-UP; GSL1-UP | | | | | | | |
| 2781969 | | | I-U-10 | 30 mm | 60 mm | CTC-2781970 | 66.84 |
| GRAPPLE | | | | | | | |
| B5W1-UP; GSL1-UP | | | | | | | |
| 2550943 | | | I-U-10 | 25 mm | 40 mm | CTC-2863591 | 28.31 |

REPLACEMENT KITS FOR CATERPILLAR® EQUIPMENT

| Loaders - Track Skid Steer | | | | | | | |
|----------------------------|------------------|--------------------------------|---------|-------|-------|-------------|-------|
| APPLICATION | CYL # | Misc-Parts, Instructions, etc. | CODE | ROD | BORE | KIT # | |
| MODEL 272D | | | | | | | |
| LIFT | | | | | | | |
| | B5W1-UP; GSL1-UP | | | | | | |
| | 3463785 | | I-U-10 | 50 mm | 70 mm | CTC-3806119 | 96.67 |
| TILT | | | | | | | |
| | B5W1-UP; GSL1-UP | | | | | | |
| | 2749931 | | I-U-10 | 35 mm | 70 mm | CTC-2666140 | 56.16 |
| TILT LH | | | | | | | |
| | B5W1-UP; GSL1-UP | | | | | | |
| | 2935712 | | P-U-10 | 35 mm | 75 mm | CTC-3712751 | 62.21 |
| | 2935712 | | Bushing | 35 mm | | CTC-2965140 | 10.43 |
| TILT RH | | | | | | | |
| | B5W1-UP; GSL1-UP | | | | | | |
| | 2935711 | | P-U-10 | 35 mm | 75 mm | CTC-3712751 | 62.21 |
| | 2935711 | | Bushing | 35 mm | | CTC-2965140 | 10.43 |
| MODEL 272D XHP | | | | | | | |
| ANGLE BLADE | | | | | | | |
| | ETL1-UP | | | | | | |
| | 2749930 | | I-U-10 | 35 mm | 70 mm | CTC-2666140 | 56.16 |
| BUCKET | | | | | | | |
| | ETL1-UP; SHY1-UP | | | | | | |
| | 2781969 | | I-U-10 | 30 mm | 60 mm | CTC-2781970 | 66.84 |
| GRAPPLE | | | | | | | |
| | ETL1-UP; SHY1-UP | | | | | | |
| | 2550943 | | I-U-10 | 25 mm | 40 mm | CTC-2863591 | 28.31 |
| LIFT | | | | | | | |
| | ETL1-UP; SHY1-UP | | | | | | |
| | 3463785 | | I-U-10 | 50 mm | 70 mm | CTC-3806119 | 96.67 |
| TILT | | | | | | | |
| | ETL1-UP | | | | | | |
| | 2749931 | | I-U-10 | 35 mm | 70 mm | CTC-2666140 | 56.16 |
| TILT LH | | | | | | | |
| | ETL1-UP; SHY1-UP | | | | | | |
| | 2935712 | | P-U-10 | 35 mm | 75 mm | CTC-3712751 | 62.21 |
| | 2935712 | | Bushing | 35 mm | | CTC-2965140 | 10.43 |
| TILT RH | | | | | | | |
| | ETL1-UP; SHY1-UP | | | | | | |
| | 2935711 | | P-U-10 | 35 mm | 75 mm | CTC-3712751 | 62.21 |
| | 2935711 | | Bushing | 35 mm | | CTC-2965140 | 10.43 |
| MODEL 277B | | | | | | | |
| ANGLE BLADE | | | | | | | |
| | MDH1-UP | | | | | | |
| | 2259521 | | P-U-10 | 32 mm | 63 mm | CTC-1771958 | 94.81 |
| | 2749930 | | I-U-10 | 35 mm | 70 mm | CTC-2666140 | 56.16 |
| BUCKET | | | | | | | |
| | MDH1-UP | | | | | | |
| | 1545018 | | P-U-10 | 30 mm | 60 mm | CTC-1643213 | 91.04 |
| | 2781969 | | I-U-10 | 30 mm | 60 mm | CTC-2781970 | 66.84 |
| | 2936264 | | I-U-10 | 30 mm | 50 mm | CTC-2620941 | 34.55 |
| GRAPPLE | | | | | | | |
| | MDH1-UP | | | | | | |
| | 1565512 | | P-U-10 | 30 mm | 60 mm | CTC-1643213 | 91.04 |
| | 1649295 | | P-U-10 | 25 mm | 40 mm | CTC-1725285 | 78.24 |
| | 2550943 | | I-U-10 | 25 mm | 40 mm | CTC-2863591 | 28.31 |
| | 2781975 | | I-U-10 | 30 mm | 60 mm | CTC-2781970 | 66.84 |

REPLACEMENT KITS FOR CATERPILLAR® EQUIPMENT

| Loaders - Track Skid Steer | | | | | | | |
|----------------------------|-----------------------|--------------------------------|---------|-------|-------|-------------|--------|
| APPLICATION | CYL # | Misc-Parts, Instructions, etc. | CODE | ROD | BORE | KIT # | |
| MODEL 277B | | | | | | | |
| LIFT LH | | | | | | | |
| | MDH1-UP | | | | | | |
| | 2303685 | | P-U-10 | 40 mm | 60 mm | CTC-2186823 | 81.28 |
| LIFT RH | | | | | | | |
| | MDH1-UP | | | | | | |
| | 2303695 | | P-U-10 | 40 mm | 60 mm | CTC-2186823 | 81.28 |
| TILT | | | | | | | |
| | MDH1-UP | | | | | | |
| | 2749931 | | I-U-10 | 35 mm | 70 mm | CTC-2666140 | 56.16 |
| TILT LH | | | | | | | |
| | MDH1-UP | | | | | | |
| | 2303687 | | P-U-10 | 35 mm | 70 mm | CTC-2186822 | 101.27 |
| TILT RH | | | | | | | |
| | MDH1-UP | | | | | | |
| | 2303697 | | P-U-10 | 35 mm | 70 mm | CTC-2186822 | 101.27 |
| MODEL 277C | | | | | | | |
| ANGLE BLADE | | | | | | | |
| | JWF1-UP | | | | | | |
| | 2259521 | | P-U-10 | 32 mm | 63 mm | CTC-1771958 | 94.81 |
| | 2749930 | | I-U-10 | 35 mm | 70 mm | CTC-2666140 | 56.16 |
| BUCKET | | | | | | | |
| | JWF1-UP | | | | | | |
| | 1545018 | | P-U-10 | 30 mm | 60 mm | CTC-1643213 | 91.04 |
| | 2781969 | | I-U-10 | 30 mm | 60 mm | CTC-2781970 | 66.84 |
| | 2936264 | | I-U-10 | 30 mm | 50 mm | CTC-2620941 | 34.55 |
| GRAPPLE | | | | | | | |
| | JWF1-UP | | | | | | |
| | 1649295 | | P-U-10 | 25 mm | 40 mm | CTC-1725285 | 78.24 |
| | 2550973 | | I-U-10 | 25 mm | 40 mm | CTC-2863591 | 28.31 |
| | 2781975 | | I-U-10 | 30 mm | 60 mm | CTC-2781970 | 66.84 |
| LIFT | | | | | | | |
| | JWF1-2295; KCC1-199 | | | | | | |
| | 2582512 | | P-U-10 | 45 mm | 65 mm | CTC-2186824 | 85.76 |
| | JWF1460-UP; KCC200-UP | | | | | | |
| | 2935710 | | P-U-10 | 45 mm | 65 mm | CTC-3712737 | 64.20 |
| | 2935710 | | Bushing | 45 mm | | CTC-2965141 | 11.84 |
| TILT | | | | | | | |
| | JWF1-UP | | | | | | |
| | 2749931 | | I-U-10 | 35 mm | 70 mm | CTC-2666140 | 56.16 |
| TILT LH | | | | | | | |
| | JWF1-2297; KCC1-204 | | | | | | |
| | 2582515 | | P-U-10 | 35 mm | 75 mm | CTC-2583621 | 62.57 |
| | JWF1460-UP; KCC205-UP | | | | | | |
| | 2935712 | | P-U-10 | 35 mm | 75 mm | CTC-3712751 | 62.21 |
| | 2935712 | | Bushing | 35 mm | | CTC-2965140 | 10.43 |
| TILT RH | | | | | | | |
| | JWF1-2297; KCC1-204 | | | | | | |
| | 2582514 | | P-U-10 | 35 mm | 75 mm | CTC-2583621 | 62.57 |
| | JWF1460-UP; KCC205-UP | | | | | | |
| | 2935711 | | P-U-10 | 35 mm | 75 mm | CTC-3712751 | 62.21 |
| | 2935711 | | Bushing | 35 mm | | CTC-2965140 | 10.43 |
| MODEL 277C2 | | | | | | | |
| ANGLE BLADE | | | | | | | |
| | MET1-UP | | | | | | |
| | 2749930 | | I-U-10 | 35 mm | 70 mm | CTC-2666140 | 56.16 |

CATERPILLAR®

REPLACEMENT KITS FOR CATERPILLAR® EQUIPMENT

| Loaders - Track Skid Steer | | | | | | | |
|----------------------------|---------|--------------------------------|---------|-------|-------|-------------|-------|
| APPLICATION | CYL # | Misc-Parts, Instructions, etc. | CODE | ROD | BORE | KIT # | |
| MODEL 277C2 | | | | | | | |
| BUCKET | | | | | | | |
| MET1-UP | | | | | | | |
| | 2781969 | | I-U-10 | 30 mm | 60 mm | CTC-2781970 | 66.84 |
| | 2936264 | | I-U-10 | 30 mm | 50 mm | CTC-2620941 | 34.55 |
| GRAPPLE | | | | | | | |
| MET1-UP | | | | | | | |
| | 2550943 | | I-U-10 | 25 mm | 40 mm | CTC-2863591 | 28.31 |
| | 2781975 | | I-U-10 | 30 mm | 60 mm | CTC-2781970 | 66.84 |
| LIFT | | | | | | | |
| MET1-UP | | | | | | | |
| | 2935710 | | P-U-10 | 45 mm | 65 mm | CTC-3712737 | 64.20 |
| | 2935710 | | Bushing | 45 mm | | CTC-2965141 | 11.84 |
| TILT | | | | | | | |
| MET1-UP | | | | | | | |
| | 2749931 | | I-U-10 | 35 mm | 70 mm | CTC-2666140 | 56.16 |
| TILT LH | | | | | | | |
| MET1-UP | | | | | | | |
| | 2935712 | | P-U-10 | 35 mm | 75 mm | CTC-3712751 | 62.21 |
| | 2935712 | | Bushing | 35 mm | | CTC-2965140 | 10.43 |
| TILT RH | | | | | | | |
| MET1-UP | | | | | | | |
| | 2935711 | | P-U-10 | 35 mm | 75 mm | CTC-3712751 | 62.21 |
| | 2935711 | | Bushing | 35 mm | | CTC-2965140 | 10.43 |
| MODEL 279C | | | | | | | |
| ANGLE BLADE | | | | | | | |
| MBT1-UP | | | | | | | |
| | 2259521 | | P-U-10 | 32 mm | 63 mm | CTC-1771958 | 94.81 |
| | 2749930 | | I-U-10 | 35 mm | 70 mm | CTC-2666140 | 56.16 |
| BUCKET | | | | | | | |
| MBT1-UP | | | | | | | |
| | 2781969 | | I-U-10 | 30 mm | 60 mm | CTC-2781970 | 66.84 |
| | 2936264 | | I-U-10 | 30 mm | 50 mm | CTC-2620941 | 34.55 |
| GRAPPLE | | | | | | | |
| MBT1-UP | | | | | | | |
| | 2550943 | | I-U-10 | 25 mm | 40 mm | CTC-2863591 | 28.31 |
| | 2781975 | | I-U-10 | 30 mm | 60 mm | CTC-2781970 | 66.84 |
| LIFT | | | | | | | |
| MBT1-UP | | | | | | | |
| | 2582512 | | P-U-10 | 45 mm | 65 mm | CTC-2186824 | 85.76 |
| | 2935710 | | P-U-10 | 45 mm | 65 mm | CTC-3712737 | 64.20 |
| | 2935710 | | Bushing | 45 mm | | CTC-2965141 | 11.84 |
| TILT | | | | | | | |
| MBT1-UP | | | | | | | |
| | 2749931 | | I-U-10 | 35 mm | 70 mm | CTC-2666140 | 56.16 |
| TILT LH | | | | | | | |
| MBT1-UP | | | | | | | |
| | 2582515 | | P-U-10 | 35 mm | 75 mm | CTC-2583621 | 62.57 |
| | 2935712 | | P-U-10 | 35 mm | 75 mm | CTC-3712751 | 62.21 |
| | 2935712 | | Bushing | 35 mm | | CTC-2965140 | 10.43 |
| TILT RH | | | | | | | |
| MBT1-UP | | | | | | | |
| | 2582514 | | P-U-10 | 35 mm | 75 mm | CTC-2583621 | 62.57 |
| | 2935711 | | P-U-10 | 35 mm | 75 mm | CTC-3712751 | 62.21 |
| | 2935711 | | Bushing | 35 mm | | CTC-2965140 | 10.43 |

REPLACEMENT KITS FOR CATERPILLAR® EQUIPMENT

| Loaders - Track Skid Steer | | | | | | | |
|----------------------------|------------------------------------|--------------------------------|---------|-------|-------|-------------|-------|
| APPLICATION | CYL # | Misc-Parts, Instructions, etc. | CODE | ROD | BORE | KIT # | |
| MODEL 279C2 | | | | | | | |
| ANGLE BLADE | | | | | | | |
| | KWB1-UP | | | | | | |
| | 2749930 | | I-U-10 | 35 mm | 70 mm | CTC-2666140 | 56.16 |
| BUCKET | | | | | | | |
| | KWB1-UP | | | | | | |
| | 2781969 | | I-U-10 | 30 mm | 60 mm | CTC-2781970 | 66.84 |
| | 2936264 | | I-U-10 | 30 mm | 50 mm | CTC-2620941 | 34.55 |
| GRAPPLE | | | | | | | |
| | KWB1-UP | | | | | | |
| | 2550943 | | I-U-10 | 25 mm | 40 mm | CTC-2863591 | 28.31 |
| | 2781975 | | I-U-10 | 30 mm | 60 mm | CTC-2781970 | 66.84 |
| LIFT | | | | | | | |
| | KWB1-UP | | | | | | |
| | 2935710 | | P-U-10 | 45 mm | 65 mm | CTC-3712737 | 64.20 |
| | 2935710 | | Bushing | 45 mm | | CTC-2965141 | 11.84 |
| TILT | | | | | | | |
| | KWB1-UP | | | | | | |
| | 2749931 | | I-U-10 | 35 mm | 70 mm | CTC-2666140 | 56.16 |
| TILT LH | | | | | | | |
| | KWB1-UP | | | | | | |
| | 2935712 | | P-U-10 | 35 mm | 75 mm | CTC-3712751 | 62.21 |
| | 2935712 | | Bushing | 35 mm | | CTC-2965140 | 10.43 |
| TILT RH | | | | | | | |
| | KWB1-UP | | | | | | |
| | 2935711 | | P-U-10 | 35 mm | 75 mm | CTC-3712751 | 62.21 |
| | 2935711 | | Bushing | 35 mm | | CTC-2965140 | 10.43 |
| MODEL 279D | | | | | | | |
| ANGLE BLADE | | | | | | | |
| | GTL1-UP; PPT1-UP; RCX1-UP | | | | | | |
| | 2749930 | | I-U-10 | 35 mm | 70 mm | CTC-2666140 | 56.16 |
| BUCKET | | | | | | | |
| | GTL1-UP; PPT1-UP; RCX1-UP | | | | | | |
| | 2781969 | | I-U-10 | 30 mm | 60 mm | CTC-2781970 | 66.84 |
| GRAPPLE | | | | | | | |
| | GTL1-UP; PPT1-UP; RCX1-UP | | | | | | |
| | 2550943 | | I-U-10 | 25 mm | 40 mm | CTC-2863591 | 28.31 |
| LIFT | | | | | | | |
| | GTL1-UP; PPT1-UP; RCX1-UP; WEF1-UP | | | | | | |
| | 3757845 | | I-U-10 | 50 mm | 70 mm | CTC-3806119 | 96.67 |
| TILT | | | | | | | |
| | GTL1-UP; PPT1-UP; RCX1-UP | | | | | | |
| | 2749931 | | I-U-10 | 35 mm | 70 mm | CTC-2666140 | 56.16 |
| TILT LH | | | | | | | |
| | GTL1-UP; PPT1-UP; RCX1-UP; WEF1-UP | | | | | | |
| | 2935712 | | P-U-10 | 35 mm | 75 mm | CTC-3712751 | 62.21 |
| | 2935712 | | Bushing | 35 mm | | CTC-2965140 | 10.43 |
| TILT RH | | | | | | | |
| | GTL1-UP; PPT1-UP; RCX1-UP; WEF1-UP | | | | | | |
| | 2935711 | | P-U-10 | 35 mm | 75 mm | CTC-3712751 | 62.21 |
| | 2935711 | | Bushing | 35 mm | | CTC-2965140 | 10.43 |
| MODEL 287B | | | | | | | |
| ANGLE BLADE | | | | | | | |
| | ZSA1-UP | | | | | | |
| | 2259521 | | P-U-10 | 32 mm | 63 mm | CTC-1771958 | 94.81 |

REPLACEMENT KITS FOR CATERPILLAR® EQUIPMENT

| Loaders - Track Skid Steer | | | | | | | |
|----------------------------|---------|--------------------------------|---------|-------|-------|-------------|--------|
| APPLICATION | CYL # | Misc-Parts, Instructions, etc. | CODE | ROD | BORE | KIT # | |
| MODEL 287B | | | | | | | |
| BUCKET | | | | | | | |
| ZSA1-UP | | | | | | | |
| | 1545018 | | P-U-10 | 30 mm | 60 mm | CTC-1643213 | 91.04 |
| | 2781969 | | I-U-10 | 30 mm | 60 mm | CTC-2781970 | 66.84 |
| | 2936264 | | I-U-10 | 30 mm | 50 mm | CTC-2620941 | 34.55 |
| GRAPPLE | | | | | | | |
| ZSA1-UP | | | | | | | |
| | 1565512 | | P-U-10 | 30 mm | 60 mm | CTC-1643213 | 91.04 |
| | 1649295 | | P-U-10 | 25 mm | 40 mm | CTC-1725285 | 78.24 |
| | 2550943 | | I-U-10 | 25 mm | 40 mm | CTC-2863591 | 28.31 |
| | 2781975 | | I-U-10 | 30 mm | 60 mm | CTC-2781970 | 66.84 |
| LIFT | | | | | | | |
| ZSA1-UP | | | | | | | |
| | 2303705 | | P-U-10 | 45 mm | 65 mm | CTC-2186824 | 85.76 |
| TILT LH | | | | | | | |
| ZSA1-UP | | | | | | | |
| | 2303687 | | P-U-10 | 35 mm | 70 mm | CTC-2186822 | 101.27 |
| TILT RH | | | | | | | |
| ZSA1-UP | | | | | | | |
| | 2303697 | | P-U-10 | 35 mm | 70 mm | CTC-2186822 | 101.27 |
| MODEL 287C | | | | | | | |
| ANGLE BLADE | | | | | | | |
| MAS1-UP | | | | | | | |
| | 2259521 | | P-U-10 | 32 mm | 63 mm | CTC-1771958 | 94.81 |
| | 2749930 | | I-U-10 | 35 mm | 70 mm | CTC-2666140 | 56.16 |
| BUCKET | | | | | | | |
| MAS1-UP | | | | | | | |
| | 1545018 | | P-U-10 | 30 mm | 60 mm | CTC-1643213 | 91.04 |
| | 2781969 | | I-U-10 | 30 mm | 60 mm | CTC-2781970 | 66.84 |
| | 2936264 | | I-U-10 | 30 mm | 50 mm | CTC-2620941 | 34.55 |
| | 5622803 | | P-U-10 | 30 mm | 60 mm | CTC-5799491 | 92.41 |
| GRAPPLE | | | | | | | |
| MAS1-UP | | | | | | | |
| | 1649295 | | P-U-10 | 25 mm | 40 mm | CTC-1725285 | 78.24 |
| | 2550943 | | I-U-10 | 25 mm | 40 mm | CTC-2863591 | 28.31 |
| | 2781975 | | I-U-10 | 30 mm | 60 mm | CTC-2781970 | 66.84 |
| | 5622802 | | P-U-10 | 30 mm | 60 mm | CTC-5799491 | 92.41 |
| LIFT | | | | | | | |
| MAS1-UP | | | | | | | |
| | 2582516 | | P-U-10 | 45 mm | 65 mm | CTC-2186824 | 85.76 |
| | 2935713 | | P-U-10 | 45 mm | 65 mm | CTC-3712737 | 64.20 |
| | 2935713 | | Bushing | 45 mm | | CTC-2965141 | 11.84 |
| TILT | | | | | | | |
| MAS1-UP | | | | | | | |
| | 2749931 | | I-U-10 | 35 mm | 70 mm | CTC-2666140 | 56.16 |
| TILT LH | | | | | | | |
| MAS1-UP | | | | | | | |
| | 2582515 | | P-U-10 | 35 mm | 75 mm | CTC-2583621 | 62.57 |
| | 2935712 | | P-U-10 | 35 mm | 75 mm | CTC-3712751 | 62.21 |
| | 2935712 | | Bushing | 35 mm | | CTC-2965140 | 10.43 |
| TILT RH | | | | | | | |
| MAS1-UP | | | | | | | |
| | 2582514 | | P-U-10 | 35 mm | 75 mm | CTC-2583621 | 62.57 |
| | 2935711 | | P-U-10 | 35 mm | 75 mm | CTC-3712751 | 62.21 |
| | 2935711 | | Bushing | 35 mm | | CTC-2965140 | 10.43 |

REPLACEMENT KITS FOR CATERPILLAR® EQUIPMENT

| Loaders - Track Skid Steer | | | | | | | |
|----------------------------|---------|--------------------------------|---------|-------|-------|-------------|-------|
| APPLICATION | CYL # | Misc-Parts, Instructions, etc. | CODE | ROD | BORE | KIT # | |
| MODEL 287C2 | | | | | | | |
| BUCKET | | | | | | | |
| SSB1-UP | | | | | | | |
| | 2781969 | | I-U-10 | 30 mm | 60 mm | CTC-2781970 | 66.84 |
| | 2936264 | | I-U-10 | 30 mm | 50 mm | CTC-2620941 | 34.55 |
| GRAPPLE | | | | | | | |
| SSB1-UP | | | | | | | |
| | 2550943 | | I-U-10 | 25 mm | 40 mm | CTC-2863591 | 28.31 |
| | 2781975 | | I-U-10 | 30 mm | 60 mm | CTC-2781970 | 66.84 |
| LIFT | | | | | | | |
| SSB1-UP | | | | | | | |
| | 2935713 | | P-U-10 | 45 mm | 65 mm | CTC-3712737 | 64.20 |
| | 2935713 | | Bushing | 45 mm | | CTC-2965141 | 11.84 |
| TILT | | | | | | | |
| SSB1-UP | | | | | | | |
| | 2749931 | | I-U-10 | 35 mm | 70 mm | CTC-2666140 | 56.16 |
| TILT LH | | | | | | | |
| SSB1-UP | | | | | | | |
| | 2935712 | | P-U-10 | 35 mm | 75 mm | CTC-3712751 | 62.21 |
| | 2935712 | | Bushing | 35 mm | | CTC-2965140 | 10.43 |
| TILT RH | | | | | | | |
| SSB1-UP | | | | | | | |
| | 2935711 | | P-U-10 | 35 mm | 75 mm | CTC-3712751 | 62.21 |
| | 2935711 | | Bushing | 35 mm | | CTC-2965140 | 10.43 |
| MODEL 287D | | | | | | | |
| ANGLE BLADE | | | | | | | |
| HMT1-UP; STK1-UP; TLK1-UP | | | | | | | |
| | 2259521 | | P-U-10 | 32 mm | 63 mm | CTC-1771958 | 94.81 |
| | 2749930 | | I-U-10 | 35 mm | 70 mm | CTC-2666140 | 56.16 |
| BUCKET | | | | | | | |
| HMT1-UP; STK1-UP; TLK1-UP | | | | | | | |
| | 2781969 | | I-U-10 | 30 mm | 60 mm | CTC-2781970 | 66.84 |
| | 2936264 | | I-U-10 | 30 mm | 50 mm | CTC-2620941 | 34.55 |
| | 5622803 | | P-U-10 | 30 mm | 60 mm | CTC-5799491 | 92.41 |
| COUPLER | | | | | | | |
| HMT1-UP; STK1-UP; TLK1-UP | | | | | | | |
| | 5154591 | | I-U-10 | 25 mm | 50 mm | CTC-5187949 | 75.56 |
| GRAPPLE | | | | | | | |
| HMT1-UP; STK1-UP; TLK1-UP | | | | | | | |
| | 2550943 | | I-U-10 | 25 mm | 40 mm | CTC-2863591 | 28.31 |
| | 2781975 | | I-U-10 | 30 mm | 60 mm | CTC-2781970 | 66.84 |
| | 4827647 | | I-U-10 | 1-1/4 | 3 | CTC-5052263 | 79.76 |
| | 5622802 | | P-U-10 | 30 mm | 60 mm | CTC-5799491 | 92.41 |
| LIFT | | | | | | | |
| HMT1-UP; STK1-UP; TLK1-UP | | | | | | | |
| | 4924507 | | P-U-10 | 45 mm | 65 mm | CTC-3712737 | 64.20 |
| TILT | | | | | | | |
| HMT1-UP; STK1-UP; TLK1-UP | | | | | | | |
| | 2749931 | | I-U-10 | 35 mm | 70 mm | CTC-2666140 | 56.16 |
| TILT LH | | | | | | | |
| HMT1-UP; STK1-UP; TLK1-UP | | | | | | | |
| | 2935712 | | P-U-10 | 35 mm | 75 mm | CTC-3712751 | 62.21 |
| | 2935712 | | Bushing | 35 mm | | CTC-2965140 | 10.43 |
| TILT RH | | | | | | | |
| HMT1-UP; STK1-UP; TLK1-UP | | | | | | | |
| | 2935711 | | P-U-10 | 35 mm | 75 mm | CTC-3712751 | 62.21 |
| | 2935711 | | Bushing | 35 mm | | CTC-2965140 | 10.43 |

REPLACEMENT KITS FOR CATERPILLAR® EQUIPMENT

| Loaders - Track Skid Steer | | | | | | | |
|----------------------------|---------|--------------------------------|---------|-------|-------|-------------|-------|
| APPLICATION | CYL # | Misc-Parts, Instructions, etc. | CODE | ROD | BORE | KIT # | |
| MODEL 289C | | | | | | | |
| ANGLE BLADE | | | | | | | |
| JMP1-UP | | | | | | | |
| | 2259521 | | P-U-10 | 32 mm | 63 mm | CTC-1771958 | 94.81 |
| | 2749930 | | I-U-10 | 35 mm | 70 mm | CTC-2666140 | 56.16 |
| BUCKET | | | | | | | |
| JMP1-UP | | | | | | | |
| | 2781969 | | I-U-10 | 30 mm | 60 mm | CTC-2781970 | 66.84 |
| | 2936264 | | I-U-10 | 30 mm | 50 mm | CTC-2620941 | 34.55 |
| GRAPPLE | | | | | | | |
| JMP1-UP | | | | | | | |
| | 2550943 | | I-U-10 | 25 mm | 40 mm | CTC-2863591 | 28.31 |
| | 2781975 | | I-U-10 | 30 mm | 60 mm | CTC-2781970 | 66.84 |
| LIFT | | | | | | | |
| JMP1-1150; JMP1155-1245 | | | | | | | |
| | 2582516 | | P-U-10 | 45 mm | 65 mm | CTC-2186824 | 85.76 |
| JMP1151-1154; JMP1246-UP | | | | | | | |
| | 2935713 | | P-U-10 | 45 mm | 65 mm | CTC-3712737 | 64.20 |
| | 2935713 | | Bushing | 45 mm | | CTC-2965141 | 11.84 |
| TILT | | | | | | | |
| JMP1-UP | | | | | | | |
| | 2749931 | | I-U-10 | 35 mm | 70 mm | CTC-2666140 | 56.16 |
| TILT LH | | | | | | | |
| JMP1-1150; JMP1155-1227 | | | | | | | |
| | 2582515 | | P-U-10 | 35 mm | 75 mm | CTC-2583621 | 62.57 |
| JMP1151-1154; JMP1228-UP | | | | | | | |
| | 2935712 | | P-U-10 | 35 mm | 75 mm | CTC-3712751 | 62.21 |
| | 2935712 | | Bushing | 35 mm | | CTC-2965140 | 10.43 |
| TILT RH | | | | | | | |
| JMP1-1150; JMP1155-1227 | | | | | | | |
| | 2582514 | | P-U-10 | 35 mm | 75 mm | CTC-2583621 | 62.57 |
| JMP1151-1154; JMP1228-UP | | | | | | | |
| | 2935711 | | P-U-10 | 35 mm | 75 mm | CTC-3712751 | 62.21 |
| | 2935711 | | Bushing | 35 mm | | CTC-2965140 | 10.43 |
| MODEL 289C2 | | | | | | | |
| ANGLE BLADE | | | | | | | |
| RTD1-UP | | | | | | | |
| | 2749930 | | I-U-10 | 35 mm | 70 mm | CTC-2666140 | 56.16 |
| BUCKET | | | | | | | |
| RTD1-UP | | | | | | | |
| | 2781969 | | I-U-10 | 30 mm | 60 mm | CTC-2781970 | 66.84 |
| | 2936264 | | I-U-10 | 30 mm | 50 mm | CTC-2620941 | 34.55 |
| GRAPPLE | | | | | | | |
| RTD1-UP | | | | | | | |
| | 2550943 | | I-U-10 | 25 mm | 40 mm | CTC-2863591 | 28.31 |
| | 2781975 | | I-U-10 | 30 mm | 60 mm | CTC-2781970 | 66.84 |
| LIFT | | | | | | | |
| RTD1-UP | | | | | | | |
| | 2935713 | | P-U-10 | 45 mm | 65 mm | CTC-3712737 | 64.20 |
| | 2935713 | | Bushing | 45 mm | | CTC-2965141 | 11.84 |
| TILT | | | | | | | |
| RTD1-UP | | | | | | | |
| | 2749931 | | I-U-10 | 35 mm | 70 mm | CTC-2666140 | 56.16 |
| TILT LH | | | | | | | |
| RTD1-UP | | | | | | | |
| | 2935712 | | P-U-10 | 35 mm | 75 mm | CTC-3712751 | 62.21 |
| | 2935712 | | Bushing | 35 mm | | CTC-2965140 | 10.43 |

REPLACEMENT KITS FOR CATERPILLAR® EQUIPMENT

| Loaders - Track Skid Steer | | | | | | | |
|----------------------------|---------|--------------------------------|---------|-------|-------|-------------|-------|
| APPLICATION | CYL # | Misc-Parts, Instructions, etc. | CODE | ROD | BORE | KIT # | |
| MODEL 289C2 | | | | | | | |
| TILT RH | | | | | | | |
| RTD1-UP | | | | | | | |
| | 2935711 | | P-U-10 | 35 mm | 75 mm | CTC-3712751 | 62.21 |
| | 2935711 | | Bushing | 35 mm | | CTC-2965140 | 10.43 |
| MODEL 289D | | | | | | | |
| ANGLE BLADE | | | | | | | |
| A9Z1-UP; TAW1-UP; WCT1-UP | | | | | | | |
| | 2749930 | | I-U-10 | 35 mm | 70 mm | CTC-2666140 | 56.16 |
| BUCKET | | | | | | | |
| A9Z1-UP; TAW1-UP; WCT1-UP | | | | | | | |
| | 2781969 | | I-U-10 | 30 mm | 60 mm | CTC-2781970 | 66.84 |
| GRAPPLE | | | | | | | |
| A9Z1-UP; TAW1-UP; WCT1-UP | | | | | | | |
| | 2550943 | | I-U-10 | 25 mm | 40 mm | CTC-2863591 | 28.31 |
| LIFT | | | | | | | |
| A9Z1-UP; TAW1-UP; WCT1-UP | | | | | | | |
| | 3779483 | | P-U-10 | 45 mm | 65 mm | CTC-3712737 | 64.20 |
| | 3779483 | | Bushing | 45 mm | | CTC-2965141 | 11.84 |
| TILT | | | | | | | |
| A9Z1-UP; TAW1-UP; WCT1-UP | | | | | | | |
| | 2749931 | | I-U-10 | 35 mm | 70 mm | CTC-2666140 | 56.16 |
| TILT LH | | | | | | | |
| A9Z1-UP; TAW1-UP; WCT1-UP | | | | | | | |
| | 2935712 | | P-U-10 | 35 mm | 75 mm | CTC-3712751 | 62.21 |
| | 2935712 | | Bushing | 35 mm | | CTC-2965140 | 10.43 |
| TILT RH | | | | | | | |
| A9Z1-UP; TAW1-UP; WCT1-UP | | | | | | | |
| | 2935711 | | P-U-10 | 35 mm | 75 mm | CTC-3712751 | 62.21 |
| | 2935711 | | Bushing | 35 mm | | CTC-2965140 | 10.43 |
| MODEL 297C | | | | | | | |
| ANGLE BLADE | | | | | | | |
| GCP1-UP | | | | | | | |
| | 2259521 | | P-U-10 | 32 mm | 63 mm | CTC-1771958 | 94.81 |
| | 2749930 | | I-U-10 | 35 mm | 70 mm | CTC-2666140 | 56.16 |
| BUCKET | | | | | | | |
| GCP1-UP | | | | | | | |
| | 1545018 | | P-U-10 | 30 mm | 60 mm | CTC-1643213 | 91.04 |
| | 2781969 | | I-U-10 | 30 mm | 60 mm | CTC-2781970 | 66.84 |
| | 2936264 | | I-U-10 | 30 mm | 50 mm | CTC-2620941 | 34.55 |
| GRAPPLE | | | | | | | |
| GCP1-UP | | | | | | | |
| | 1649295 | | P-U-10 | 25 mm | 40 mm | CTC-1725285 | 78.24 |
| | 2550943 | | I-U-10 | 25 mm | 40 mm | CTC-2863591 | 28.31 |
| | 2781975 | | I-U-10 | 30 mm | 60 mm | CTC-2781970 | 66.84 |
| | 5622802 | | P-U-10 | 30 mm | 60 mm | CTC-5799491 | 92.41 |
| LIFT | | | | | | | |
| GCP1-1637; GCP1639-1651 | | | | | | | |
| | 2582516 | | P-U-10 | 45 mm | 65 mm | CTC-2186824 | 85.76 |
| GCP1638; GCP1652-UP | | | | | | | |
| | 2935713 | | P-U-10 | 45 mm | 65 mm | CTC-3712737 | 64.20 |
| | 2935713 | | Bushing | 45 mm | | CTC-2965141 | 11.84 |
| TILT | | | | | | | |
| GCP1-UP | | | | | | | |
| | 2749931 | | I-U-10 | 35 mm | 70 mm | CTC-2666140 | 56.16 |

REPLACEMENT KITS FOR CATERPILLAR® EQUIPMENT

| Loaders - Track Skid Steer | | | | | | | |
|----------------------------|---------|--------------------------------|---------|-------|-------|-------------|-------|
| APPLICATION | CYL # | Misc-Parts, Instructions, etc. | CODE | ROD | BORE | KIT # | |
| MODEL 297C | | | | | | | |
| TILT LH | | | | | | | |
| GCP1-1637; GCP1639-1651 | | | | | | | |
| | 2582515 | | P-U-10 | 35 mm | 75 mm | CTC-2583621 | 62.57 |
| GCP1638; GCP1652-UP | | | | | | | |
| | 2935712 | | P-U-10 | 35 mm | 75 mm | CTC-3712751 | 62.21 |
| | 2935712 | | Bushing | 35 mm | | CTC-2965140 | 10.43 |
| TILT RH | | | | | | | |
| GCP1-1637; GCP1639-1651 | | | | | | | |
| | 2582514 | | P-U-10 | 35 mm | 75 mm | CTC-2583621 | 62.57 |
| GCP1638; GCP1652-UP | | | | | | | |
| | 2935711 | | P-U-10 | 35 mm | 75 mm | CTC-3712751 | 62.21 |
| | 2935711 | | Bushing | 35 mm | | CTC-2965140 | 10.43 |
| MODEL 297D | | | | | | | |
| ANGLE BLADE | | | | | | | |
| BE71-UP | | | | | | | |
| | 2259521 | | P-U-10 | 32 mm | 63 mm | CTC-1771958 | 94.81 |
| | 2749930 | | I-U-10 | 35 mm | 70 mm | CTC-2666140 | 56.16 |
| BUCKET | | | | | | | |
| BE71-UP | | | | | | | |
| | 2781969 | | I-U-10 | 30 mm | 60 mm | CTC-2781970 | 66.84 |
| | 2936264 | | I-U-10 | 30 mm | 50 mm | CTC-2620941 | 34.55 |
| | 5622803 | | P-U-10 | 30 mm | 60 mm | CTC-5799491 | 92.41 |
| COUPLER | | | | | | | |
| BE71-UP | | | | | | | |
| | 5154591 | | I-U-10 | 25 mm | 50 mm | CTC-5187949 | 75.56 |
| GRAPPLE | | | | | | | |
| BE71-UP | | | | | | | |
| | 2550943 | | I-U-10 | 25 mm | 40 mm | CTC-2863591 | 28.31 |
| | 2781975 | | I-U-10 | 30 mm | 60 mm | CTC-2781970 | 66.84 |
| | 4827647 | | I-U-10 | 1-1/4 | 3 | CTC-5052263 | 79.76 |
| | 5622802 | | P-U-10 | 30 mm | 60 mm | CTC-5799491 | 92.41 |
| LIFT | | | | | | | |
| BE71-UP | | | | | | | |
| | 4924504 | | I-U-10 | 50 mm | 70 mm | CTC-3806119 | 96.67 |
| TILT | | | | | | | |
| BE71-UP | | | | | | | |
| | 2749931 | | I-U-10 | 35 mm | 70 mm | CTC-2666140 | 56.16 |
| TILT LH | | | | | | | |
| BE71-UP | | | | | | | |
| | 2935712 | | P-U-10 | 35 mm | 75 mm | CTC-3712751 | 62.21 |
| | 2935712 | | Bushing | 35 mm | | CTC-2965140 | 10.43 |
| TILT RH | | | | | | | |
| BE71-UP | | | | | | | |
| | 2935711 | | P-U-10 | 35 mm | 75 mm | CTC-3712751 | 62.21 |
| | 2935711 | | Bushing | 35 mm | | CTC-2965140 | 10.43 |
| MODEL 297D XHP | | | | | | | |
| ANGLE BLADE | | | | | | | |
| HP71-UP | | | | | | | |
| | 2259521 | | P-U-10 | 32 mm | 63 mm | CTC-1771958 | 94.81 |
| | 2749930 | | I-U-10 | 35 mm | 70 mm | CTC-2666140 | 56.16 |
| BUCKET | | | | | | | |
| HP71-UP | | | | | | | |
| | 2781969 | | I-U-10 | 30 mm | 60 mm | CTC-2781970 | 66.84 |
| | 2936264 | | I-U-10 | 30 mm | 50 mm | CTC-2620941 | 34.55 |

REPLACEMENT KITS FOR CATERPILLAR® EQUIPMENT

| Loaders - Track Skid Steer | | | | | | | |
|----------------------------|---------|--------------------------------|---------|-------|-------|-------------|-------|
| APPLICATION | CYL # | Misc-Parts, Instructions, etc. | CODE | ROD | BORE | KIT # | |
| MODEL 297D XHP | | | | | | | |
| COUPLER | | | | | | | |
| HP71-UP | | | | | | | |
| | 5154591 | | I-U-10 | 25 mm | 50 mm | CTC-5187949 | 75.56 |
| GRAPPLE | | | | | | | |
| HP71-UP | | | | | | | |
| | 2550943 | | I-U-10 | 25 mm | 40 mm | CTC-2863591 | 28.31 |
| | 2781975 | | I-U-10 | 30 mm | 60 mm | CTC-2781970 | 66.84 |
| | 4827647 | | I-U-10 | 1-1/4 | 3 | CTC-5052263 | 79.76 |
| | 5622802 | | P-U-10 | 30 mm | 60 mm | CTC-5799491 | 92.41 |
| LIFT | | | | | | | |
| HP71-UP | | | | | | | |
| | 4924504 | | I-U-10 | 50 mm | 70 mm | CTC-3806119 | 96.67 |
| TILT | | | | | | | |
| HP71-UP | | | | | | | |
| | 2749931 | | I-U-10 | 35 mm | 70 mm | CTC-2666140 | 56.16 |
| TILT LH | | | | | | | |
| HP71-UP | | | | | | | |
| | 2935712 | | P-U-10 | 35 mm | 75 mm | CTC-3712751 | 62.21 |
| | 2935712 | | Bushing | 35 mm | | CTC-2965140 | 10.43 |
| TILT RH | | | | | | | |
| HP71-UP | | | | | | | |
| | 2935711 | | P-U-10 | 35 mm | 75 mm | CTC-3712751 | 62.21 |
| | 2935711 | | Bushing | 35 mm | | CTC-2965140 | 10.43 |
| MODEL 297D2 | | | | | | | |
| ANGLE BLADE | | | | | | | |
| BL71-UP | | | | | | | |
| | 2259521 | | P-U-10 | 32 mm | 63 mm | CTC-1771958 | 94.81 |
| | 2749930 | | I-U-10 | 35 mm | 70 mm | CTC-2666140 | 56.16 |
| BUCKET | | | | | | | |
| BL71-UP | | | | | | | |
| | 2781969 | | I-U-10 | 30 mm | 60 mm | CTC-2781970 | 66.84 |
| | 2936264 | | I-U-10 | 30 mm | 50 mm | CTC-2620941 | 34.55 |
| | 5622803 | | P-U-10 | 30 mm | 60 mm | CTC-5799491 | 92.41 |
| COUPLER | | | | | | | |
| BL71-UP | | | | | | | |
| | 5154591 | | I-U-10 | 25 mm | 50 mm | CTC-5187949 | 75.56 |
| GRAPPLE | | | | | | | |
| BL71-UP | | | | | | | |
| | 2550943 | | I-U-10 | 25 mm | 40 mm | CTC-2863591 | 28.31 |
| | 2781975 | | I-U-10 | 30 mm | 60 mm | CTC-2781970 | 66.84 |
| | 4827647 | | I-U-10 | 1-1/4 | 3 | CTC-5052263 | 79.76 |
| | 5622802 | | P-U-10 | 30 mm | 60 mm | CTC-5799491 | 92.41 |
| LIFT | | | | | | | |
| BL71-UP | | | | | | | |
| | 4924504 | | I-U-10 | 50 mm | 70 mm | CTC-3806119 | 96.67 |
| TILT | | | | | | | |
| BL71-UP | | | | | | | |
| | 2749931 | | I-U-10 | 35 mm | 70 mm | CTC-2666140 | 56.16 |
| TILT LH | | | | | | | |
| BL71-UP | | | | | | | |
| | 2935712 | | P-U-10 | 35 mm | 75 mm | CTC-3712751 | 62.21 |
| | 2935712 | | Bushing | 35 mm | | CTC-2965140 | 10.43 |
| TILT RH | | | | | | | |
| BL71-UP | | | | | | | |
| | 2935711 | | P-U-10 | 35 mm | 75 mm | CTC-3712751 | 62.21 |
| | 2935711 | | Bushing | 35 mm | | CTC-2965140 | 10.43 |

REPLACEMENT KITS FOR CATERPILLAR® EQUIPMENT

| Loaders - Track Skid Steer | | | | | | | |
|----------------------------|--------------------------|--------------------------------|---------|-------|-------|-------------|-------|
| APPLICATION | CYL # | Misc-Parts, Instructions, etc. | CODE | ROD | BORE | KIT # | |
| MODEL 297D2 XHP | | | | | | | |
| ANGLE BLADE | | | | | | | |
| | HP21-UP | | | | | | |
| | 2259521 | | P-U-10 | 32 mm | 63 mm | CTC-1771958 | 94.81 |
| | 2749930 | | I-U-10 | 35 mm | 70 mm | CTC-2666140 | 56.16 |
| BUCKET | | | | | | | |
| | HP21-UP | | | | | | |
| | 2781969 | | I-U-10 | 30 mm | 60 mm | CTC-2781970 | 66.84 |
| | 2936264 | | I-U-10 | 30 mm | 50 mm | CTC-2620941 | 34.55 |
| | 5622803 | | P-U-10 | 30 mm | 60 mm | CTC-5799491 | 92.41 |
| COUPLER | | | | | | | |
| | HP21-UP | | | | | | |
| | 5154591 | | I-U-10 | 25 mm | 50 mm | CTC-5187949 | 75.56 |
| GRAPPLE | | | | | | | |
| | HP21-UP | | | | | | |
| | 2550943 | | I-U-10 | 25 mm | 40 mm | CTC-2863591 | 28.31 |
| | 2781975 | | I-U-10 | 30 mm | 60 mm | CTC-2781970 | 66.84 |
| | 4827647 | | I-U-10 | 1-1/4 | 3 | CTC-5052263 | 79.76 |
| | 5622802 | | P-U-10 | 30 mm | 60 mm | CTC-5799491 | 92.41 |
| LIFT | | | | | | | |
| | HP21-UP | | | | | | |
| | 4924504 | | I-U-10 | 50 mm | 70 mm | CTC-3806119 | 96.67 |
| TILT | | | | | | | |
| | HP21-UP | | | | | | |
| | 2749931 | | I-U-10 | 35 mm | 70 mm | CTC-2666140 | 56.16 |
| TILT LH | | | | | | | |
| | HP21-UP | | | | | | |
| | 2935712 | | P-U-10 | 35 mm | 75 mm | CTC-3712751 | 62.21 |
| | 2935712 | | Bushing | 35 mm | | CTC-2965140 | 10.43 |
| TILT RH | | | | | | | |
| | HP21-UP | | | | | | |
| | 2935711 | | P-U-10 | 35 mm | 75 mm | CTC-3712751 | 62.21 |
| | 2935711 | | Bushing | 35 mm | | CTC-2965140 | 10.43 |
| MODEL 299C | | | | | | | |
| ANGLE BLADE | | | | | | | |
| | JSP1-UP | | | | | | |
| | 2259521 | | P-U-10 | 32 mm | 63 mm | CTC-1771958 | 94.81 |
| | 2749930 | | I-U-10 | 35 mm | 70 mm | CTC-2666140 | 56.16 |
| BUCKET | | | | | | | |
| | JSP1-UP | | | | | | |
| | 2781969 | | I-U-10 | 30 mm | 60 mm | CTC-2781970 | 66.84 |
| | 2936264 | | I-U-10 | 30 mm | 50 mm | CTC-2620941 | 34.55 |
| GRAPPLE | | | | | | | |
| | JSP1-UP | | | | | | |
| | 2550943 | | I-U-10 | 25 mm | 40 mm | CTC-2863591 | 28.31 |
| | 2781975 | | I-U-10 | 30 mm | 60 mm | CTC-2781970 | 66.84 |
| LIFT | | | | | | | |
| | JSP1-966; JSP1001-1067 | | | | | | |
| | 2582516 | | P-U-10 | 45 mm | 65 mm | CTC-2186824 | 85.76 |
| | JSP997-1000; JSP1068-JUP | | | | | | |
| | 2935713 | | P-U-10 | 45 mm | 65 mm | CTC-3712737 | 64.20 |
| | 2935713 | | Bushing | 45 mm | | CTC-2965141 | 11.84 |
| TILT | | | | | | | |
| | JSP1-UP | | | | | | |
| | 2749931 | | I-U-10 | 35 mm | 70 mm | CTC-2666140 | 56.16 |

REPLACEMENT KITS FOR CATERPILLAR® EQUIPMENT

| Loaders - Track Skid Steer | | | | | | | |
|----------------------------|---------|--------------------------------|---------|-------|-------|-------------|-------|
| APPLICATION | CYL # | Misc-Parts, Instructions, etc. | CODE | ROD | BORE | KIT # | |
| MODEL 299C | | | | | | | |
| TILT LH | | | | | | | |
| JSP1-996; JSP1001-1054 | | | | | | | |
| | 2582515 | | P-U-10 | 35 mm | 75 mm | CTC-2583621 | 62.57 |
| JSP997-1000; JSP1055-UP | | | | | | | |
| | 2935712 | | P-U-10 | 35 mm | 75 mm | CTC-3712751 | 62.21 |
| | 2935712 | | Bushing | 35 mm | | CTC-2965140 | 10.43 |
| TILT RH | | | | | | | |
| JSP1-996; JSP1001-1054 | | | | | | | |
| | 2582514 | | P-U-10 | 35 mm | 75 mm | CTC-2583621 | 62.57 |
| JSP997-1000; JSP1055-UP | | | | | | | |
| | 2935711 | | P-U-10 | 35 mm | 75 mm | CTC-3712751 | 62.21 |
| | 2935711 | | Bushing | 35 mm | | CTC-2965140 | 10.43 |
| MODEL 299D | | | | | | | |
| ANGLE BLADE | | | | | | | |
| GTC1-UP; HCL1-UP | | | | | | | |
| | 2749930 | | I-U-10 | 35 mm | 70 mm | CTC-2666140 | 56.16 |
| BUCKET | | | | | | | |
| GTC1-UP; HCL1-UP | | | | | | | |
| | 2781969 | | I-U-10 | 30 mm | 60 mm | CTC-2781970 | 66.84 |
| HCL1-UP | | | | | | | |
| | 2936264 | | I-U-10 | 30 mm | 50 mm | CTC-2620941 | 34.55 |
| GRAPPLE | | | | | | | |
| GTC1-UP; HCL1-UP | | | | | | | |
| | 2550943 | | I-U-10 | 25 mm | 40 mm | CTC-2863591 | 28.31 |
| HCL1-UP | | | | | | | |
| | 2781975 | | I-U-10 | 30 mm | 60 mm | CTC-2781970 | 66.84 |
| LIFT | | | | | | | |
| GTC1-UP; HCL1-UP | | | | | | | |
| | 3463785 | | I-U-10 | 50 mm | 70 mm | CTC-3806119 | 96.67 |
| TILT | | | | | | | |
| GTC1-UP; HCL1-UP | | | | | | | |
| | 2749931 | | I-U-10 | 35 mm | 70 mm | CTC-2666140 | 56.16 |
| TILT LH | | | | | | | |
| GTC1-UP; HCL1-UP | | | | | | | |
| | 2935712 | | P-U-10 | 35 mm | 75 mm | CTC-3712751 | 62.21 |
| | 2935712 | | Bushing | 35 mm | | CTC-2965140 | 10.43 |
| TILT RH | | | | | | | |
| GTC1-UP; HCL1-UP | | | | | | | |
| | 2935711 | | P-U-10 | 35 mm | 75 mm | CTC-3712751 | 62.21 |
| | 2935711 | | Bushing | 35 mm | | CTC-2965140 | 10.43 |
| MODEL 299D XHP | | | | | | | |
| ANGLE BLADE | | | | | | | |
| JST1-UP; NLC1-UP | | | | | | | |
| | 2749930 | | I-U-10 | 35 mm | 70 mm | CTC-2666140 | 56.16 |
| BUCKET | | | | | | | |
| JST1-UP; NLC1-UP | | | | | | | |
| | 2781969 | | I-U-10 | 30 mm | 60 mm | CTC-2781970 | 66.84 |
| NLC1-UP | | | | | | | |
| | 2936264 | | I-U-10 | 30 mm | 50 mm | CTC-2620941 | 34.55 |
| GRAPPLE | | | | | | | |
| JST1-UP; NLC1-UP | | | | | | | |
| | 2550943 | | I-U-10 | 25 mm | 40 mm | CTC-2863591 | 28.31 |
| NLC1-UP | | | | | | | |
| | 2781975 | | I-U-10 | 30 mm | 60 mm | CTC-2781970 | 66.84 |

REPLACEMENT KITS FOR CATERPILLAR® EQUIPMENT

| Loaders - Track Skid Steer | | | | | | | |
|---|---------|--------------------------------|---------|-------|-------|--------------|-------|
| APPLICATION | CYL # | Misc-Parts, Instructions, etc. | CODE | ROD | BORE | KIT # | |
| MODEL 299D XHP | | | | | | | |
| LIFT | | | | | | | |
| JST1-UP; NLC1-UP | | | | | | | |
| | 3463785 | | I-U-10 | 50 mm | 70 mm | CTC-3806119 | 96.67 |
| TILT | | | | | | | |
| JST1-UP; NLC1-UP | | | | | | | |
| | 2749931 | | I-U-10 | 35 mm | 70 mm | CTC-2666140 | 56.16 |
| TILT LH | | | | | | | |
| JST1-UP; NLC1-UP | | | | | | | |
| | 2935712 | | P-U-10 | 35 mm | 75 mm | CTC-3712751 | 62.21 |
| | 2935712 | | Bushing | 35 mm | | CTC-2965140 | 10.43 |
| TILT RH | | | | | | | |
| JST1-UP; NLC1-UP | | | | | | | |
| | 2935711 | | P-U-10 | 35 mm | 75 mm | CTC-3712751 | 62.21 |
| | 2935711 | | Bushing | 35 mm | | CTC-2965140 | 10.43 |
| MODEL 299D2 | | | | | | | |
| ANGLE BLADE | | | | | | | |
| BY41-UP; DX21-UP; DX91-UP; FD21-UP | | | | | | | |
| | 2259521 | | P-U-10 | 32 mm | 63 mm | CTC-1771958 | 94.81 |
| | 2749930 | | I-U-10 | 35 mm | 70 mm | CTC-2666140 | 56.16 |
| BUCKET | | | | | | | |
| BY41-UP; DX21-UP; DX91-UP; FD21-UP | | | | | | | |
| | 2936264 | | I-U-10 | 30 mm | 50 mm | CTC-2620941 | 34.55 |
| BY41-UP; DX21-UP; DX91-UP; FD21-UP; HLM1-UP | | | | | | | |
| | 2781969 | | I-U-10 | 30 mm | 60 mm | CTC-2781970 | 66.84 |
| COUPLER | | | | | | | |
| BY41-UP; DX21-UP; DX91-UP; FD21-UP | | | | | | | |
| | 5154591 | | I-U-10 | 25 mm | 50 mm | CTC-5187949 | 75.56 |
| GRAPPLE | | | | | | | |
| BY41-UP; DX21-UP; DX91-UP; FD21-UP | | | | | | | |
| | 2550943 | | I-U-10 | 25 mm | 40 mm | CTC-2863591 | 28.31 |
| | 2781975 | | I-U-10 | 30 mm | 60 mm | CTC-2781970 | 66.84 |
| | 4827647 | | I-U-10 | 1-1/4 | 3 | CTC-5052263 | 79.76 |
| LIFT | | | | | | | |
| BY41-UP; DX21-UP; DX91-UP; FD21-UP; HLM1-UP | | | | | | | |
| | 4924504 | | I-U-10 | 50 mm | 70 mm | CTC-3806119 | 96.67 |
| TILT | | | | | | | |
| BY41-UP; DX21-UP; DX91-UP; FD21-UP | | | | | | | |
| | 2749931 | | I-U-10 | 35 mm | 70 mm | CTC-2666140 | 56.16 |
| BY41-UP; DX21-UP; DX91-UP; FD21-UP; HLM1-UP | | | | | | | |
| | 2935711 | | P-U-10 | 35 mm | 75 mm | CTC-3712751 | 62.21 |
| | 2935711 | | Bushing | 35 mm | | CTC-2965140 | 10.43 |
| | 2935712 | | P-U-10 | 35 mm | 75 mm | CTC-3712751 | 62.21 |
| | 2935712 | | Bushing | 35 mm | | CTC-2965140 | 10.43 |
| TRACK ADJUSTER | | | | | | | |
| BY41-UP; DX21-UP; DX91-UP; FD21-UP; HLM1-UP | | | | | | | |
| | 3041898 | | TRK ADJ | | | CTC-SK100207 | 37.35 |
| MODEL 299D2 XHP | | | | | | | |
| ANGLE BLADE | | | | | | | |
| BY41-UP; DX21-UP; DX91-UP; FD21-UP | | | | | | | |
| | 2259521 | | P-U-10 | 32 mm | 63 mm | CTC-1771958 | 94.81 |
| | 2749930 | | I-U-10 | 35 mm | 70 mm | CTC-2666140 | 56.16 |
| BUCKET | | | | | | | |
| BY41-UP; DX21-UP; DX91-UP; FD21-UP | | | | | | | |
| | 2936264 | | I-U-10 | 30 mm | 50 mm | CTC-2620941 | 34.55 |
| BY41-UP; DX21-UP; DX91-UP; FD21-UP; HLM1-UP | | | | | | | |
| | 2781969 | | I-U-10 | 30 mm | 60 mm | CTC-2781970 | 66.84 |

REPLACEMENT KITS FOR CATERPILLAR® EQUIPMENT

| Loaders - Track Skid Steer | | | | | | | |
|--------------------------------|---|--------------------------------|---------|-------|--------|--------------|--------|
| APPLICATION | CYL # | Misc-Parts, Instructions, etc. | CODE | ROD | BORE | KIT # | |
| MODEL 299D2 XHP | | | | | | | |
| COUPLER | | | | | | | |
| | BY41-UP; DX21-UP; DX91-UP; FD21-UP | | | | | | |
| | 5154591 | | I-U-10 | 25 mm | 50 mm | CTC-5187949 | 75.56 |
| GRAPPLE | | | | | | | |
| | BY41-UP; DX21-UP; DX91-UP; FD21-UP | | | | | | |
| | 2550943 | | I-U-10 | 25 mm | 40 mm | CTC-2863591 | 28.31 |
| | 2781975 | | I-U-10 | 30 mm | 60 mm | CTC-2781970 | 66.84 |
| | 4827647 | | I-U-10 | 1-1/4 | 3 | CTC-5052263 | 79.76 |
| LIFT | | | | | | | |
| | BY41-UP; DX21-UP; DX91-UP; FD21-UP; HLM1-UP | | | | | | |
| | 4924504 | | I-U-10 | 50 mm | 70 mm | CTC-3806119 | 96.67 |
| TILT | | | | | | | |
| | BY41-UP; DX21-UP; DX91-UP; FD21-UP | | | | | | |
| | 2749931 | | I-U-10 | 35 mm | 70 mm | CTC-2666140 | 56.16 |
| | BY41-UP; DX21-UP; DX91-UP; FD21-UP; HLM1-UP | | | | | | |
| | 2935711 | | P-U-10 | 35 mm | 75 mm | CTC-3712751 | 62.21 |
| | 2935711 | | Bushing | 35 mm | | CTC-2965140 | 10.43 |
| | 2935712 | | P-U-10 | 35 mm | 75 mm | CTC-3712751 | 62.21 |
| | 2935712 | | Bushing | 35 mm | | CTC-2965140 | 10.43 |
| TRACK ADJUSTER | | | | | | | |
| | BY41-UP; DX21-UP; DX91-UP; FD21-UP; HLM1-UP | | | | | | |
| | 3041898 | | TRK ADJ | | | CTC-SK100207 | 37.35 |
| Loaders - Wheel | | | | | | | |
| APPLICATION | CYL # | Misc-Parts, Instructions, etc. | CODE | ROD | BORE | KIT # | |
| MODEL 902 | | | | | | | |
| STEERING | | | | | | | |
| | 1349838 | | P-UB-10 | 35 mm | 70 mm | CTC-4228805 | 82.44 |
| UNSPECIFIED APPLICATION | | | | | | | |
| | 9T4006 | | P-UB-10 | 1-1/2 | 3 | CTC-7X2737 | 148.96 |
| MODEL 904 | | | | | | | |
| LIFT | | | | | | | |
| | 4T8580 | | P-UB-10 | 2 | 3-3/4 | CTC-7X2787 | 141.74 |
| STEERING | | | | | | | |
| | 1U4666 | | P-UB-10 | 1-1/2 | 2-3/4 | CTC-7X2749 | 81.02 |
| TILT | | | | | | | |
| | 4T8581 | | P-UB-10 | 1-3/4 | 3-1/4 | CTC-7X2764 | 94.31 |
| MODEL 906 | | | | | | | |
| BUCKET GRAPPLE | | | | | | | |
| | 1649430 | | P-UB-10 | 1-1/4 | 2-1/2 | CTC-4452682 | 52.51 |
| LIFT | | | | | | | |
| | 1344485 | | P-UB-10 | 55 mm | 100 mm | CTC-1344485K | 161.83 |
| MULTIPURPOSE BUCKET | | | | | | | |
| | 1349838 | | P-UB-10 | 35 mm | 70 mm | CTC-4228805 | 82.44 |
| | 9T4006 | | P-UB-10 | 1-1/2 | 3 | CTC-1856583 | 62.81 |
| SIDE DUMP | | | | | | | |
| | 1250373 | | P-UB-10 | 1-1/2 | 2-3/4 | CTC-1856596 | 63.53 |
| STEERING | | | | | | | |
| | 1349838 | | P-UB-10 | 35 mm | 70 mm | CTC-4228805 | 82.44 |
| STEERING RH | | | | | | | |
| | 1250373 | | P-UB-10 | 1-1/2 | 2-3/4 | CTC-1856596 | 63.53 |
| TILT | | | | | | | |
| | 1350532 | | P-UB-10 | 50 mm | 85 mm | CTC-1350532K | 294.92 |
| MODEL 906M | | | | | | | |
| BUCKET MP | | | | | | | |
| | H661-UP; K561-UP; Z661-UP | | | | | | |
| | 1851839 | | P-UB-10 | 1-1/2 | 3 | CTC-2350354 | 47.14 |

CATERPILLAR®

REPLACEMENT KITS FOR CATERPILLAR® EQUIPMENT

| Loaders - Wheel | | | | | | | |
|----------------------------|------------|--------------------------------|---------|-------|--------|--------------|--------|
| APPLICATION | CYL # | Misc-Parts, Instructions, etc. | CODE | ROD | BORE | KIT # | |
| MODEL 906M | | | | | | | |
| COUPLER | | | | | | | |
| | | H661-UP; K561-UP; Z661-UP | | | | | |
| | 1783713 | | I-U-10 | 1 | 2 | CTC-1809872 | 161.75 |
| | 5083948 | | P-U-10 | 25 mm | 50 mm | CTC-5635454 | 75.47 |
| LIFT | | | | | | | |
| | | H661-UP; K561-UP; Z661-UP | | | | | |
| | 2573975 | | P-UB-10 | 50 mm | 75 mm | CTC-4483453 | 98.78 |
| STEERING | | | | | | | |
| | | H661-UP; K561-UP; Z661-UP | | | | | |
| | 2573976 | | P-UB-10 | 35 mm | 80 mm | CTC-4481975 | 99.82 |
| TILT | | | | | | | |
| | | H661-UP; K561-UP; Z661-UP | | | | | |
| | 2573977 | | P-UB-10 | 55 mm | 90 mm | CTC-4483564 | 109.26 |
| MODEL 908 | | | | | | | |
| HIGH DUMP | | | | | | | |
| | 1349848 | | P-UB-10 | 35 mm | 70 mm | CTC-1349838K | 82.44 |
| MULTIPURPOSE BUCKET | | | | | | | |
| | 9T4006 | | P-UB-10 | 1-1/2 | 3 | CTC-1856583 | 62.81 |
| SIDE DUMP | | | | | | | |
| | 1250373 | | P-UB-10 | 1-1/2 | 2-3/4 | CTC-1856596 | 63.53 |
| STEERING | | | | | | | |
| | 1465137 | | P-UB-10 | 40 mm | 90 mm | CTC-SK100065 | 60.77 |
| | 8BS1294-UP | | | | | | |
| | 2184349 | | P-UB-10 | 40 mm | 90 mm | CTC-SK100065 | 60.77 |
| MODEL 908M | | | | | | | |
| BUCKET MP | | | | | | | |
| | | H881-UP; K581-UP; Z881-UP | | | | | |
| | 1851839 | | P-UB-10 | 1-1/2 | 3 | CTC-2350354 | 47.14 |
| COUPLER | | | | | | | |
| | | H881-UP; K581-UP | | | | | |
| | 5083948 | | P-U-10 | 25 mm | 50 mm | CTC-5635454 | 75.47 |
| | | H881-UP; K581-UP; Z881-UP | | | | | |
| | 1783713 | | I-U-10 | 1 | 2 | CTC-1809872 | 161.75 |
| LIFT | | | | | | | |
| | | H881-UP; K581-UP; Z881-UP | | | | | |
| | 2605415 | | P-UB-10 | 50 mm | 85 mm | CTC-4496299 | 101.63 |
| STEERING | | | | | | | |
| | | H881-UP; K581-UP; Z881-UP | | | | | |
| | 2573976 | | P-UB-10 | 35 mm | 80 mm | CTC-4481975 | 99.82 |
| TILT | | | | | | | |
| | | H881-UP; K581-UP; Z881-UP | | | | | |
| | 2605417 | | P-UB-10 | 55 mm | 100 mm | CTC-4496284 | 119.11 |
| MODEL 910E, 910F | | | | | | | |
| BUCKET | | | | | | | |
| | 8J5391 | | P-UB-10 | 1-1/2 | 3-1/2 | CTC-7X2752 | 130.85 |
| LIFT | | | | | | | |
| | 6E5969 | | P-UB-10 | 2-1/4 | 4 | CTC-1361171 | 139.03 |
| | 9T5745 | | P-UB-10 | 2-1/4 | 4 | CTC-1361171 | 139.03 |
| STEERING | | | | | | | |
| | 9T7209 | | P-UB-10 | 1-1/2 | 2-3/4 | CTC-1361599 | 139.86 |
| | 9T7210 | | P-UB-10 | 1-1/2 | 2-3/4 | CTC-1361599 | 139.86 |
| STEERING LH | | | | | | | |
| | 6E5900 | | P-UB-10 | 1-3/4 | 2-3/4 | CTC-1539053 | 190.69 |
| | 6E5973 | | P-UB-10 | 1-1/2 | 2-3/4 | CTC-1361599 | 139.86 |
| STEERING RH | | | | | | | |
| | 6E5985 | | P-UB-10 | 1-1/2 | 2-3/4 | CTC-1361599 | 139.86 |

REPLACEMENT KITS FOR CATERPILLAR® EQUIPMENT

| Loaders - Wheel | | | | | | | |
|-------------------------|---|--------------------------------|---------|-------|-------|-------------|--------|
| APPLICATION | CYL # | Misc-Parts, Instructions, etc. | CODE | ROD | BORE | KIT # | |
| MODEL 910E, 910F | | | | | | | |
| TILT | | | | | | | |
| | 6E5918 | | P-UB-10 | 2-1/4 | 4 | CTC-1361171 | 139.03 |
| | 6E5966 | Rod Bearing width- 0.98" | P-UB-10 | 2-1/2 | 4-3/4 | CTC-1361131 | 196.39 |
| | 9T5778 | | P-UB-10 | 2-1/2 | 4-3/4 | CTC-1358695 | 130.59 |
| MODEL 914 | | | | | | | |
| M.P. BUCKET TILT | | | | | | | |
| | 4T4666 | | P-UB-10 | 2-1/2 | 4 | CTC-7X2665 | 203.29 |
| MODEL 914G | | | | | | | |
| STEERING | | | | | | | |
| | 9T8823 | | I-U-3 | 1 | 2 | CTC-9T0418 | 125.53 |
| TILT | | | | | | | |
| | 6E5918 | | P-UB-10 | 2-1/4 | 4 | CTC-1361171 | 139.03 |
| MODEL 924 | | | | | | | |
| M.P. BUCKET TILT | | | | | | | |
| | 4T5545 | | P-UB-10 | 2-1/2 | 4-1/4 | CTC-7X2663 | 67.75 |
| MODEL 924F | | | | | | | |
| LIFT | | | | | | | |
| | 1342327 | | P-UB-10 | 2-1/4 | 4 | CTC-1546526 | 196.04 |
| | 9T3937 | | P-UB-10 | 2-1/4 | 4 | CTC-1546526 | 196.04 |
| STEERING | | | | | | | |
| | 9T2637 | | P-UB-10 | 1-1/2 | 2-3/4 | CTC-1361599 | 139.86 |
| TILT | | | | | | | |
| | 1107845 | | P-UB-10 | 2-1/2 | 4-1/2 | CTC-1113300 | 187.32 |
| | 1342671 | | P-UB-10 | 2-1/2 | 4-1/2 | CTC-1113300 | 187.32 |
| | 6E4651 | | P-UB-10 | 2-1/2 | 4-1/2 | CTC-1113300 | 187.32 |
| MODEL 924G | | | | | | | |
| COUPLER | | | | | | | |
| | 3PZ1-UP; 9SW1-UP; AAN1148-UP; DDA1-UP; EEB1-UP; RBB1-UP; WMB1-UP | | | | | | |
| | 1903085 | | I-U-10 | 1 | 2 | CTC-1809872 | 161.75 |
| | 9SW1-UP | | | | | | |
| | 1880563 | | I-U-10 | 1 | 2 | CTC-1809872 | 161.75 |
| | 9SW-UP; DDA1-UP | | | | | | |
| | 1783720 | | I-U-10 | 1 | 2 | CTC-1809872 | 161.75 |
| LIFT | | | | | | | |
| | 1417483 | | P-UB-10 | 2-1/2 | 4 | CTC-1542501 | 196.93 |
| | 9T8823 | | I-U-3 | 1 | 2 | CTC-9T0418 | 125.53 |
| | 3DZ1-UP; 6YW1-UP | | | | | | |
| | 1524187 | | P-UB-10 | 2-1/2 | 4-1/4 | CTC-2341951 | 226.86 |
| | 3PZ1-UP; 9SW1-UP; AAN1-UP; DDA1-UP; EEB1-UP; RBB1-UP; WMB1-UP | | | | | | |
| | 1417483 | | P-UB-10 | 2-1/2 | 4 | CTC-2341949 | 67.52 |
| LOG FORK | | | | | | | |
| | 9SW1-UP | | | | | | |
| | 1491381 | | P-UB-10 | 2 | 3-1/2 | CTC-2281778 | 106.58 |
| MULTIPURPOSE BUCKET | | | | | | | |
| | DDA1-UP; EEB1-UP; WMB1-UP | | | | | | |
| | 2681322 | | I-U-10 | 40 mm | 3-1/2 | CTC-2711529 | 34.20 |
| STEERING | | | | | | | |
| | 1426251 | | P-UB-10 | 1-1/2 | 2-3/4 | CTC-1361599 | 139.86 |
| | 3DZ1-UP; 3PZ1-UP; 6YW1-UP; 9SW1-UP; AAN1-UP; DDA1-UP; EEB1-UP; RBB1-UP; WMB1-UP | | | | | | |
| | 1426251 | | P-UB-10 | 1-1/2 | 2-3/4 | CTC-2339204 | 85.83 |
| | 3DZ1-UP; 3PZ1-UP; 6YW1-UP; 9SW1-UP; AAN1-UP; RBB1-UP; WMB1-UP | | | | | | |
| | 1426251 | | P-UB-10 | 1-1/2 | 2-3/4 | CTC-2339204 | 85.83 |
| TILT | | | | | | | |
| | 1525306 | | P-UB-10 | 2-1/2 | 4-3/4 | CTC-1361131 | 196.39 |
| | 3DZ1-UP; 6YW1-UP | | | | | | |
| | 1525306 | | P-UB-10 | 2-1/2 | 4-3/4 | CTC-2341948 | 124.29 |

CATERPILLAR®

REPLACEMENT KITS FOR CATERPILLAR® EQUIPMENT

| Loaders - Wheel | | | | | | | |
|---|-------|--------------------------------|-----------|-------|-------|--------------|--------|
| APPLICATION | CYL # | Misc-Parts, Instructions, etc. | CODE | ROD | BORE | KIT # | |
| MODEL 924G | | | | | | | |
| TILT | | | | | | | |
| 3PZ1-UP; 9SW1-UP; AAN1-UP; DDA1-1987; RBB1-1046; WMB1-972 | | | | | | | |
| 1417484 | | | P-UB-10 | 2-1/2 | 5-1/4 | CTC-2341950 | 159.15 |
| 6YW1-UP | | | | | | | |
| 3408871 | | | P-UB-10 | 2-1/2 | 4-3/4 | CTC-3408871K | 124.29 |
| DDA1988-UP; EEB1-UP; RBB1-UP; WMB973-UP | | | | | | | |
| 2689437 | | | P-UB-10 | 2-1/2 | 5-1/4 | CTC-2341950 | 159.15 |
| RBB1047-UP | | | | | | | |
| 2689437 | | | P-UB-10 | 2-1/2 | 5-1/4 | CTC-2341950 | 159.15 |
| MODEL 924Gz | | | | | | | |
| LIFT | | | | | | | |
| AAB1-UP; DFZ1-UP; RTA1-UP; WGX1-UP | | | | | | | |
| 1524187 | | | P-UB-10 | 2-1/2 | 4-1/4 | CTC-2341951 | 226.86 |
| STEERING | | | | | | | |
| AAB1-UP; DFZ1-UP; RTA1-UP; WGX1-UP | | | | | | | |
| 1426251 | | | P-UB-10 | 1-1/2 | 2-3/4 | CTC-2339204 | 85.83 |
| TILT | | | | | | | |
| AAB1-UP; DFZ1-UP; RTA1-UP; WGX1-UP | | | | | | | |
| 1525306 | | | P-UB-10 | 2-1/2 | 4-3/4 | CTC-2341948 | 124.29 |
| DFZ1-UP | | | | | | | |
| 3408871 | | | P-UB-10 | 2-1/2 | 4-3/4 | CTC-3408871K | 124.29 |
| MODEL 924H | | | | | | | |
| BUCKET | | | | | | | |
| KLN1-UP | | | | | | | |
| 1809338 | | | P-UB-10 | 2 | 4 | CTC-2339205 | 59.01 |
| BUCKET SIDE DUMP | | | | | | | |
| KLN1-UP | | | | | | | |
| 1806336 | | | P-U,UB-10 | 2 | 4 | CTC-1807208 | 176.21 |
| COUPLER | | | | | | | |
| HXC1-UP; JTM1-UP; KLN1-UP; LKW1-UP | | | | | | | |
| 1903085 | | | I-U-10 | 1 | 2 | CTC-1809872 | 161.75 |
| LIFT | | | | | | | |
| HXC1-UP; JTM1-UP; KLN1-UP; LKW1-UP | | | | | | | |
| 1417483 | | | P-UB-10 | 2-1/2 | 4 | CTC-2341949 | 67.52 |
| MULTIPURPOSE BUCKET | | | | | | | |
| HXC1-UP; JTM1-UP; LKW1-UP | | | | | | | |
| 2681322 | | | I-U-10 | 40 mm | 3-1/2 | CTC-2711529 | 34.20 |
| STEERING | | | | | | | |
| HXC1-UP; JTM1-UP; KLN1-UP; LKW1-UP | | | | | | | |
| 1426251 | | | P-UB-10 | 1-1/2 | 2-3/4 | CTC-2339204 | 85.83 |
| TILT | | | | | | | |
| HXC1-UP; JTM1-UP; KLN1-UP; LKW1-UP | | | | | | | |
| 2689437 | | | P-UB-10 | 2-1/2 | 5-1/4 | CTC-2341950 | 159.15 |
| MODEL 924Hz | | | | | | | |
| LIFT | | | | | | | |
| JRL1-UP; JZZ1-UP; PED1-UP; WLB1-UP | | | | | | | |
| 1524187 | | | P-UB-10 | 2-1/2 | 4-1/4 | CTC-2341951 | 226.86 |
| STEERING | | | | | | | |
| JRL1-UP; JZZ1-UP; PED1-UP; WLB1-UP | | | | | | | |
| 1426251 | | | P-UB-10 | 1-1/2 | 2-3/4 | CTC-2339204 | 85.83 |
| TILT | | | | | | | |
| JRL1-UP; JZZ1-UP; WLB841-UP | | | | | | | |
| 3408871 | | | P-UB-10 | 2-1/2 | 4-3/4 | CTC-3408871K | 124.29 |
| PED1-UP; WLB1-UP | | | | | | | |
| 1525306 | | | P-UB-10 | 2-1/2 | 4-3/4 | CTC-2341948 | 124.29 |

REPLACEMENT KITS FOR CATERPILLAR® EQUIPMENT

| Loaders - Wheel | | | | | | | |
|---------------------------|-------|--------------------------------|---------|-------|--------|-------------|--------|
| APPLICATION | CYL # | Misc-Parts, Instructions, etc. | CODE | ROD | BORE | KIT # | |
| MODEL 924K | | | | | | | |
| BUCKET | | | | | | | |
| ENC1-UP; HJF1-UP; PWR1-UP | | | | | | | |
| 3825007 | | | P-UB-10 | 2-1/4 | 4-1/2 | CTC-3110662 | 94.49 |
| PWR1-UP | | | | | | | |
| 1809338 | | | P-UB-10 | 2 | 4 | CTC-1857688 | 95.52 |
| 2054846 | | | I-U-15 | 50 mm | 90 mm | CTC-2072084 | 481.05 |
| 2681322 | | | I-U-10 | 40 mm | 3-1/2 | CTC-2711529 | 34.20 |
| COUPLER | | | | | | | |
| ENC1-UP; HJF1-UP; PWR1-UP | | | | | | | |
| 3750724 | | | I-U-10 | 7/8 | 2 | CTC-3675261 | 22.29 |
| PWR1-UP | | | | | | | |
| 1903085 | | | I-U-10 | 1 | 2 | CTC-1809872 | 161.75 |
| FORK | | | | | | | |
| PWR1-UP | | | | | | | |
| 2847718 | | | I-U-11 | 1-1/4 | 2-1/2 | CTC-3476233 | 34.23 |
| LIFT | | | | | | | |
| ENC1-UP; HJF1-UP | | | | | | | |
| 3749705 | | | I-U-10 | 60 mm | 110 mm | CTC-3240399 | 135.91 |
| PWR1-UP | | | | | | | |
| 3395590 | | | I-U-10 | 60 mm | 110 mm | CTC-3240399 | 135.91 |
| STEERING | | | | | | | |
| ENC1-UP; HJF1-UP; PWR1-UP | | | | | | | |
| 3395595 | | | I-U-10 | 40 mm | 70 mm | CTC-3240355 | 83.52 |
| 4955994 | | | P-U-10 | 40 mm | 70 mm | CTC-5016692 | 77.21 |
| TILT | | | | | | | |
| ENC1-UP; HJF1-UP | | | | | | | |
| 3749706 | | | I-U-10 | 70 mm | 130 mm | CTC-3240397 | 156.49 |
| PWR1-UP | | | | | | | |
| 3395592 | | | I-U-10 | 70 mm | 130 mm | CTC-3240397 | 156.49 |
| 3518513 | | | I-U-10 | 70 mm | 130 mm | CTC-3240397 | 156.49 |
| MODEL 926 | | | | | | | |
| BUCKET | | | | | | | |
| 4T9387 | | | P-UB-10 | 2 | 4 | CTC-1328816 | 127.22 |
| LIFT | | | | | | | |
| 3G2991 | | | P-UB-10 | 2-1/2 | 4-3/4 | CTC-1328811 | 209.77 |
| 3G2991 | | | P-UB-10 | 2-1/2 | 4-3/4 | CTC-7X2660 | 246.36 |
| PIN PULLER | | | | | | | |
| 6E5393 | | | I-U-3 | 1 | 2 | CTC-9T0418 | 125.53 |
| STEERING | | | | | | | |
| 3G3501 | | | P-UB-10 | 1-1/2 | 3 | CTC-7X2751 | 87.84 |
| TILT | | | | | | | |
| 3G2798 | | | P-UB-10 | 2-1/2 | 5-1/2 | CTC-3367353 | 124.43 |
| MODEL 926E | | | | | | | |
| BUCKET | | | | | | | |
| 4T9387 | | | P-UB-10 | 2 | 4 | CTC-1328816 | 127.22 |
| LIFT | | | | | | | |
| 3G2991 | | | P-UB-10 | 2-1/2 | 4-3/4 | CTC-1328811 | 209.77 |
| 3G2991 | | | P-UB-10 | 2-1/2 | 4-3/4 | CTC-7X2660 | 246.36 |
| STEERING | | | | | | | |
| 3G3501 | | | P-UB-10 | 1-1/2 | 3 | CTC-7X2751 | 87.84 |
| 4T1574 | | | P-UB-10 | 2 | 4 | CTC-1328816 | 127.22 |
| TILT | | | | | | | |
| 3G2798 | | | P-UB-10 | 2-1/2 | 5-1/2 | CTC-3367353 | 124.43 |
| 4T1063 | | | P-UB-10 | 2 | 4-1/4 | CTC-7X2766 | 60.53 |

REPLACEMENT KITS FOR CATERPILLAR® EQUIPMENT

| Loaders - Wheel | | | | | | | |
|--------------------|------------------|--------------------------------|-------------|-------|--------|-------------|--------|
| APPLICATION | CYL # | Misc-Parts, Instructions, etc. | CODE | ROD | BORE | KIT # | |
| MODEL 926M | | | | | | | |
| BUCKET | | | | | | | |
| | LTE1-UP | | | | | | |
| | 2054846 | | I-U-15 | 50 mm | 90 mm | CTC-2072084 | 481.05 |
| | 2681322 | | I-U-10 | 40 mm | 3-1/2 | CTC-2711529 | 34.20 |
| COUPLER | | | | | | | |
| | LTE1-UP | | | | | | |
| | 3750724 | | I-U-10 | 7/8 | 2 | CTC-3675261 | 22.29 |
| LIFT | | | | | | | |
| | LTE1-UP | | | | | | |
| | 4956004 | | P-U-10 | 60 mm | 110 mm | CTC-5016706 | 127.42 |
| STEERING | | | | | | | |
| | LTE1-UP | | | | | | |
| | 4955994 | | P-U-10 | 40 mm | 70 mm | CTC-5016692 | 77.21 |
| TILT | | | | | | | |
| | LTE1-UP | | | | | | |
| | 4956005 | | P-U-10 | 70 mm | 130 mm | CTC-5016704 | 147.14 |
| | 4956006 | | P-U-10 | 70 mm | 130 mm | CTC-5016704 | 147.14 |
| MODEL 928F | | | | | | | |
| LIFT | | | | | | | |
| | 1341383 | | P-UB-10 | 2-1/2 | 4-1/2 | CTC-1113300 | 187.32 |
| | 6E1400 | | P-UB-10 | 2-1/2 | 4-1/2 | CTC-1113300 | 187.32 |
| PIN PULLER | | | | | | | |
| | 6E5393 | | I-U-3 | 1 | 2 | CTC-9T0418 | 125.53 |
| STEERING | | | | | | | |
| | 9T6646 | | P-UB-10 | 1-1/2 | 2-3/4 | CTC-1361599 | 139.86 |
| TILT | | | | | | | |
| | 1341382 | Rod Bearing width- 0.98" | P-UB-10 | 2-1/2 | 4-3/4 | CTC-1361131 | 196.39 |
| | 9T6645 | Rod Bearing width- 0.98" | P-UB-10 | 2-1/2 | 4-3/4 | CTC-1361131 | 196.39 |
| MODEL 928G | | | | | | | |
| COUPLER | | | | | | | |
| | 2370946 | | Chk Vlv Kit | | | CTC-2138433 | 17.12 |
| LIFT | | | | | | | |
| | 1191060 | Rod Bearing width- 0.98" | P-UB-10 | 2-1/2 | 4-3/4 | CTC-1864382 | 130.14 |
| STEERING LH | | | | | | | |
| | 1250374 | | P-UB-10 | 1-1/2 | 2-3/4 | CTC-1856596 | 63.53 |
| STEERING RH | | | | | | | |
| | 1250373 | | P-UB-10 | 1-1/2 | 2-3/4 | CTC-1856596 | 63.53 |
| TILT | | | | | | | |
| | 1188105 | | P-UB-10 | 2-1/2 | 5 | CTC-2275347 | 128.71 |
| MODEL 928Hz | | | | | | | |
| COUPLER | | | | | | | |
| | BYD1-UP; CXK1-UP | | | | | | |
| | 1903085 | | I-U-10 | 1 | 2 | CTC-1809872 | 161.75 |
| | CXK1-UP | | | | | | |
| | 2370946 | | I-U-10 | 1 | 2 | CTC-1832091 | 15.91 |
| | 2370946 | | Chk Vlv Kit | | | CTC-2138433 | 17.12 |
| | 3612508 | | I-U-10 | 1 | 2 | CTC-1832091 | 15.91 |
| | 3612508 | | Chk Vlv Kit | | | CTC-2138433 | 17.12 |
| LIFT | | | | | | | |
| | BYD1-UP; CXK1-UP | | | | | | |
| | 1191060 | | P-UB-10 | 2-1/2 | 4-3/4 | CTC-1864382 | 130.14 |
| STEERING | | | | | | | |
| | BYD1-UP; CXK1-UP | | | | | | |
| | 1250373 | | P-UB-10 | 1-1/2 | 2-3/4 | CTC-2339204 | 85.83 |
| | 1250374 | | P-UB-10 | 1-1/2 | 2-3/4 | CTC-2339204 | 85.83 |

REPLACEMENT KITS FOR CATERPILLAR® EQUIPMENT

| Loaders - Wheel | | | | | | | |
|---------------------------|---------|--------------------------------|---------|-------|--------|--------------|--------|
| APPLICATION | CYL # | Misc-Parts, Instructions, etc. | CODE | ROD | BORE | KIT # | |
| MODEL 928Hz | | | | | | | |
| TILT | | | | | | | |
| BYD1-UP; CXK1-UP | | | | | | | |
| | 1188105 | | P-UB-10 | 2-1/2 | 5 | CTC-2275347 | 128.71 |
| CXK867-UP | | | | | | | |
| | 3408752 | | P-UB-10 | 2-1/2 | 5 | CTC-3408752K | 128.71 |
| MODEL 930G | | | | | | | |
| COUPLER | | | | | | | |
| TFW1-UP; TWR1-UP | | | | | | | |
| | 1903085 | | I-U-10 | 1 | 2 | CTC-1809872 | 161.75 |
| LIFT | | | | | | | |
| TFW1-UP; TWR1-UP | | | | | | | |
| | 2356823 | | P-UB-10 | 2-1/2 | 4-1/2 | CTC-2297194 | 75.66 |
| MULTIPURPOSE BUCKET | | | | | | | |
| TFW1-UP; TWR1-UP | | | | | | | |
| | 2681322 | | I-U-10 | 40 mm | 3-1/2 | CTC-2711529 | 34.20 |
| TILT | | | | | | | |
| TFW1-UP; TWR1-UP | | | | | | | |
| | 2356824 | | P-UB-10 | 2-3/4 | 6 | CTC-2861075 | 150.38 |
| MODEL 930H | | | | | | | |
| COUPLER | | | | | | | |
| DHC1-UP; FTD1-UP | | | | | | | |
| | 1903085 | | I-U-10 | 1 | 2 | CTC-1809872 | 161.75 |
| LIFT | | | | | | | |
| DHC1-UP; FTD1-UP | | | | | | | |
| | 2356823 | | P-UB-10 | 2-1/2 | 4-1/2 | CTC-2297194 | 75.66 |
| MULTIPURPOSE BUCKET | | | | | | | |
| DHC1-UP; FTD1-UP | | | | | | | |
| | 2681322 | | I-U-10 | 40 mm | 3-1/2 | CTC-2711529 | 34.20 |
| STEERING | | | | | | | |
| DHC1-UP; FTD1-UP | | | | | | | |
| | 2379271 | | P-UB-10 | 1-1/2 | 2-3/4 | CTC-2833454 | 59.43 |
| TILT | | | | | | | |
| DHC1-UP; FTD1-UP | | | | | | | |
| | 2356824 | | P-UB-10 | 2-3/4 | 6 | CTC-2861075 | 150.38 |
| MODEL 930K | | | | | | | |
| BUCKET | | | | | | | |
| EYE1-UP; RHN1-UP | | | | | | | |
| | 3825007 | | P-UB-10 | 2-1/4 | 4-1/2 | CTC-3110662 | 94.49 |
| RHN1-UP | | | | | | | |
| | 2054846 | | I-U-15 | 50 mm | 90 mm | CTC-2072084 | 481.05 |
| | 2681322 | | I-U-10 | 40 mm | 3-1/2 | CTC-2711529 | 34.20 |
| COUPLER | | | | | | | |
| DYB1-UP; EYE1-UP; RHN1-UP | | | | | | | |
| | 3750724 | | I-U-10 | 7/8 | 2 | CTC-3675261 | 22.29 |
| RHN1-UP | | | | | | | |
| | 1903085 | | I-U-10 | 1 | 2 | CTC-1809872 | 161.75 |
| FORK | | | | | | | |
| RHN1-UP | | | | | | | |
| | 2847718 | | I-U-11 | 1-1/4 | 2-1/2 | CTC-3476233 | 34.23 |
| LIFT | | | | | | | |
| DYB1-UP; EYE1-UP; RHN1-UP | | | | | | | |
| | 3395593 | | I-U-10 | 65 mm | 120 mm | CTC-3240398 | 149.36 |
| STEERING | | | | | | | |
| DYB1-UP; EYE1-UP; RHN1-UP | | | | | | | |
| | 3395595 | | I-U-10 | 40 mm | 70 mm | CTC-3240355 | 83.52 |
| | 4955994 | | P-U-10 | 40 mm | 70 mm | CTC-5016692 | 77.21 |

REPLACEMENT KITS FOR CATERPILLAR® EQUIPMENT

| Loaders - Wheel | | | | | | | |
|-------------------------|---------|--------------------------------|---------|-------|--------|-------------|--------|
| APPLICATION | CYL # | Misc-Parts, Instructions, etc. | CODE | ROD | BORE | KIT # | |
| MODEL 930K | | | | | | | |
| TILT | | | | | | | |
| | | DYB1-UP; EYE1-UP; RHN1-UP | | | | | |
| | 3395594 | | I-U-10 | 90 mm | 150 mm | CTC-4401767 | 178.82 |
| | | EYE1-UP; RHN1-UP | | | | | |
| | 3518514 | | I-U-10 | 90 mm | 150 mm | CTC-4401767 | 178.82 |
| MODEL 930M | | | | | | | |
| BUCKET | | | | | | | |
| | | KTG1-UP | | | | | |
| | 2054846 | | I-U-15 | 50 mm | 90 mm | CTC-2072084 | 481.05 |
| | 2681322 | | I-U-10 | 40 mm | 3-1/2 | CTC-2711529 | 34.20 |
| COUPLER | | | | | | | |
| | | KTG1-UP | | | | | |
| | 3750724 | | I-U-10 | 7/8 | 2 | CTC-3675261 | 22.29 |
| LIFT | | | | | | | |
| | | KTG1-UP | | | | | |
| | 4955995 | | P-U-10 | 65 mm | 120 mm | CTC-5016695 | 140.37 |
| STEERING | | | | | | | |
| | | KTG1-UP | | | | | |
| | 4955994 | | P-U-10 | 40 mm | 70 mm | CTC-5016692 | 77.21 |
| TILT | | | | | | | |
| | | KTG1-UP | | | | | |
| | 4955996 | | P-U-10 | 90 mm | 150 mm | CTC-5016697 | 183.87 |
| | 4955997 | | P-U-10 | 90 mm | 150 mm | CTC-5016697 | 183.87 |
| MODEL 930R, 930T | | | | | | | |
| ARTICULATION | | | | | | | |
| | 9T2447 | 930R only | P-UB-10 | 1-3/4 | 3 | CTC-7X2825 | 73.65 |
| LIFT LH | | | | | | | |
| | 7J9872 | | P-UB-10 | 2-1/4 | 4-1/2 | CTC-7X2747 | 178.68 |
| LIFT RH | | | | | | | |
| | 7J9871 | | P-UB-10 | 2-1/4 | 4-1/2 | CTC-7X2747 | 178.68 |
| STEERING | | | | | | | |
| | 7J9838 | | P-UB-10 | 1-1/2 | 3 | CTC-1372530 | 85.19 |
| | 7J9838 | | P-UB-10 | 1-1/2 | 3 | CTC-7X2751 | 87.84 |
| TILT LH | | | | | | | |
| | 7J9730 | | P-UB-10 | 2 | 4-1/4 | CTC-7X2766 | 60.53 |
| TILT RH | | | | | | | |
| | 7J9729 | | P-UB-10 | 2 | 4-1/4 | CTC-7X2766 | 60.53 |
| MODEL 936F | | | | | | | |
| LIFT | | | | | | | |
| | 9T1196 | | P-UB-10 | 2-1/2 | 5-1/2 | CTC-7X2672 | 121.77 |
| PIN PULLER | | | | | | | |
| | 6E5393 | | I-U-3 | 1 | 2 | CTC-9T0418 | 125.53 |
| STEERING | | | | | | | |
| | 3G5110 | | P-UB-10 | 1-3/4 | 3-1/2 | CTC-7X2784 | 77.28 |
| | 6E2035 | | P-UB-10 | 1-3/4 | 3-1/2 | CTC-7X2784 | 77.28 |
| TILT | | | | | | | |
| | 3G5291 | | P-UB-10 | 2-3/4 | 6-1/2 | CTC-7X2686 | 165.59 |
| MODEL 938F | | | | | | | |
| LIFT | | | | | | | |
| | 1287678 | | P-UB-10 | 2-1/2 | 5 | CTC-1361967 | 251.91 |
| | 9T7160 | Rod Bearing width- 0.98" | P-UB-10 | 2-1/2 | 4-3/4 | CTC-1361131 | 196.39 |
| STEERING | | | | | | | |
| | 1050094 | | P-UB-10 | 1-3/4 | 3 | CTC-7X2825 | 73.65 |
| TILT | | | | | | | |
| | 1377855 | | P-UB-10 | 2-3/4 | 5-1/2 | CTC-1358736 | 275.88 |
| | 9T7161 | | P-UB-10 | 2-3/4 | 5-1/2 | CTC-1358736 | 275.88 |

REPLACEMENT KITS FOR CATERPILLAR® EQUIPMENT

| Loaders - Wheel | | | | | | | |
|-------------------|--|--------------------------------|-------------|-------|--------|--------------|--------|
| APPLICATION | CYL # | Misc-Parts, Instructions, etc. | CODE | ROD | BORE | KIT # | |
| MODEL 938G | | | | | | | |
| COUPLER | | | | | | | |
| | 2080828 | | Chk Vlv Kit | | | CTC-2138433 | 17.12 |
| | 2370946 | | Chk Vlv Kit | | | CTC-2138433 | 17.12 |
| LIFT | | | | | | | |
| | 1KM1-1123; 2RM1-1123; 7SN1-384 | | | | | | |
| | 9T7160 | Head# 1206679 | P-UB-10 | 2-1/2 | 4-3/4 | CTC-1864382 | 130.14 |
| | 9T7160 | Head# 9T3609 | P-UB-10 | 2-1/2 | 4-3/4 | CTC-9X2151 | 113.91 |
| | 1KM1124-; 2RM1124-; 7SN385- | | | | | | |
| | 1287678 | | P-UB-10 | 2-1/2 | 5 | CTC-1361967 | 251.91 |
| STEERING | | | | | | | |
| | 1050094 | | P-UB-10 | 1-3/4 | 3 | CTC-7X2825 | 73.65 |
| | 1393312 | | P-UB-10 | 1-3/4 | 3 | CTC-7X2825 | 73.65 |
| TILT | | | | | | | |
| | 4YS1- | | | | | | |
| | 1377855 | | P-UB-10 | 2-3/4 | 5-1/2 | CTC-1358736 | 275.88 |
| | 9T7161 | | P-UB-10 | 2-3/4 | 5-1/2 | CTC-1358736 | 275.88 |
| MODEL 938H | | | | | | | |
| COUPLER | | | | | | | |
| | JKM1-UP; MJC1-UP | | | | | | |
| | 2370946 | | Chk Vlv Kit | | | CTC-2138433 | 17.12 |
| LIFT | | | | | | | |
| | JKM1-UP; LKM1-UP; MCC1-UP; MJC1-UP | | | | | | |
| | 2549037 | | P-UB-10 | 70 mm | 130 mm | CTC-2976845 | 314.21 |
| STEERING | | | | | | | |
| | JKM1-153; LKM1-175 | | | | | | |
| | 1393312 | | P-UB-10 | 1-3/4 | 3 | CTC-2275350 | 45.88 |
| | JKM154-UP; LKM176-UP; MCC1-UP; MJC1-UP | | | | | | |
| | 3149340 | | P-UB-10 | 1-3/4 | 3 | CTC-3260504 | 94.41 |
| TILT | | | | | | | |
| | JKM1-905; LKM1-1037; MCC1-UP; MJC1-835 | | | | | | |
| | 3388416 | | P-UB-10 | 70 mm | 140 mm | CTC-3388416K | 479.67 |
| | JKM1-988; LKM1-1037; MJC1-810 | | | | | | |
| | 3171090 | High Lift Arrangement | P-UB-10 | 70 mm | 140 mm | CTC-3171090K | 479.67 |
| | JKM906-UP; LKM1038-UP; MJC836-UP | | | | | | |
| | 3461093 | | P-UB-10 | 70 mm | 140 mm | CTC-3461093K | 479.67 |
| | JKM989-UP; LKM1038-UP; MJC811-UP | | | | | | |
| | 3461094 | High Lift Arrangement | P-UB-10 | 70 mm | 140 mm | CTC-3461094K | 479.67 |
| MODEL 938K | | | | | | | |
| BUCKET | | | | | | | |
| | SWL1-UP | | | | | | |
| | 2054846 | | I-U-15 | 50 mm | 90 mm | CTC-2072084 | 481.05 |
| | 2681322 | | I-U-10 | 40 mm | 3-1/2 | CTC-2711529 | 34.20 |
| COUPLER | | | | | | | |
| | HFW1-UP; SWL1-UP; XXT1-UP | | | | | | |
| | 3750724 | | I-U-10 | 7/8 | 2 | CTC-3675261 | 22.29 |
| LIFT | | | | | | | |
| | HFW1-UP; SWL1-UP; XXT1-UP | | | | | | |
| | 3473853 | | I-U-10 | 65 mm | 120 mm | CTC-3240398 | 149.36 |
| STEERING | | | | | | | |
| | HFW1-UP; SWL1-UP; XXT1-UP | | | | | | |
| | 3473852 | | I-U-10 | 50 mm | 80 mm | CTC-3240356 | 112.03 |
| | 4955999 | | P-U-10 | 50 mm | 80 mm | CTC-5016702 | 104.94 |
| TILT | | | | | | | |
| | HFW1-UP | | | | | | |
| | 4491000 | | I-U-10 | 70 mm | 130 mm | CTC-3240397 | 156.49 |

REPLACEMENT KITS FOR CATERPILLAR® EQUIPMENT

| Loaders - Wheel | | | | | | | |
|-------------------------------|------------------------------|--------------------------------|-------------|-------|--------|-------------|--------|
| APPLICATION | CYL # | Misc-Parts, Instructions, etc. | CODE | ROD | BORE | KIT # | |
| MODEL 938K | | | | | | | |
| TILT | | | | | | | |
| | HFW1-UP; SWL1-UP; XXT1-UP | | | | | | |
| | 3473854 | | I-U-10 | 90 mm | 150 mm | CTC-4401767 | 178.82 |
| | SWL1-UP; XXT1-UP | | | | | | |
| | 3518515 | | I-U-10 | 90 mm | 150 mm | CTC-4401767 | 178.82 |
| MODEL 938M | | | | | | | |
| BUCKET | | | | | | | |
| | J3R1-UP | | | | | | |
| | 2054846 | | I-U-15 | 50 mm | 90 mm | CTC-2072084 | 481.05 |
| | 2681322 | | I-U-10 | 40 mm | 3-1/2 | CTC-2711529 | 34.20 |
| COUPLER | | | | | | | |
| | J3R1-UP | | | | | | |
| | 3750724 | | I-U-10 | 7/8 | 2 | CTC-3675261 | 22.29 |
| LIFT | | | | | | | |
| | J3R1-UP | | | | | | |
| | 4956000 | | P-U-10 | 65 mm | 120 mm | CTC-5016695 | 140.37 |
| STEERING | | | | | | | |
| | J3R1-UP | | | | | | |
| | 4955999 | | P-U-10 | 50 mm | 80 mm | CTC-5016702 | 104.94 |
| TILT | | | | | | | |
| | J3R1-UP | | | | | | |
| | 4956001 | | P-U-10 | 90 mm | 150 mm | CTC-5016697 | 183.87 |
| | 4956002 | | P-U-10 | 90 mm | 150 mm | CTC-5016697 | 183.87 |
| MODEL 944, 944A | | | | | | | |
| LOG FORK LH | | | | | | | |
| | 8J5677 | | P-V-10 | 2 | 5 | CTC-7X2763 | 185.79 |
| LOG FORK RH | | | | | | | |
| | 8J5676 | | P-V-10 | 2 | 5 | CTC-7X2763 | 185.79 |
| MODEL 950B, 950E, 950F | | | | | | | |
| LIFT | | | | | | | |
| | 4T0263 | 950B & 950E only | P-UB-10 | 2-1/2 | 4-3/4 | CTC-1328811 | 209.77 |
| | 4T0263 | | P-UB-10 | 2-1/2 | 4-3/4 | CTC-7X2660 | 246.36 |
| | 4T0263 | | P-UB-10 | 2-1/2 | 4-3/4 | CTC-7X2673 | 220.68 |
| | 7J9902 | 950F only | P-UB-10 | 2 | 4-1/4 | CTC-7X2819 | 144.19 |
| LIFT LH | | | | | | | |
| | 1U1147 | | P-UB-10 | 3 | 6 | CTC-7X2698 | 255.56 |
| LIFT RH | | | | | | | |
| | 1U1148 | | P-UB-10 | 3 | 6 | CTC-7X2698 | 255.56 |
| STEERING | | | | | | | |
| | 3G0892 | | P-UB-10 | 1-3/4 | 3-1/2 | CTC-7X2784 | 77.28 |
| | 6E3889 | | P-UB-10 | 1-3/4 | 3-1/2 | CTC-7X2784 | 77.28 |
| | 6E4892 | | P-UB-10 | 1-3/4 | 3-1/2 | CTC-7X2784 | 77.28 |
| | 6E5024 | 950B & 950F only | P-UB-10 | 2 | 4 | CTC-1113302 | 163.17 |
| TILT | | | | | | | |
| | 3G8786 | | P-UB-10 | 3-1/4 | 7 | CTC-1328518 | 298.10 |
| MODEL 950G | | | | | | | |
| COUPLER | | | | | | | |
| | 2080828 | | Chk Vlv Kit | | | CTC-2138433 | 17.12 |
| | 2370946 | | Chk Vlv Kit | | | CTC-2138433 | 17.12 |
| LIFT | | | | | | | |
| | 1188296 | | P-UB-10 | 3 | 6 | CTC-7X2698 | 255.56 |
| | 1250024 | | P-UB-10 | 3 | 6 | CTC-7X2698 | 255.56 |
| STEERING | | | | | | | |
| | 1188288 | Head# 1537182 | P-UB-10 | 1-3/4 | 3-1/2 | CTC-2281795 | 134.61 |
| | 1630324 | Head# 1630329 | P-UB-10 | 1-3/4 | 3-1/2 | CTC-2281795 | 134.61 |
| | 4BS1-413; 3JW1-684; 5FW1-784 | | | | | | |
| | 1188288 | Head# 9T8790 | P-UB-10 | 1-3/4 | 3-1/2 | CTC-7X2784 | 77.28 |

REPLACEMENT KITS FOR CATERPILLAR® EQUIPMENT

| Loaders - Wheel | | | | | | | |
|---------------------------|---------|--------------------------------|-------------|-------|--------|--------------|--------|
| APPLICATION | CYL # | Misc-Parts, Instructions, etc. | CODE | ROD | BORE | KIT # | |
| MODEL 950G | | | | | | | |
| TILT | | | | | | | |
| | 1189001 | | P-UB-10 | 3-1/4 | 7 | CTC-7X2710 | 278.70 |
| | 1518206 | | P-UB-20 | 3-1/4 | 8-1/2 | CTC-2297173 | 422.09 |
| MODEL 950H | | | | | | | |
| COUPLER | | | | | | | |
| | 2370946 | | Chk Vlv Kit | | | CTC-2138433 | 17.12 |
| LIFT | | | | | | | |
| | 2424271 | | P-UB-10 | 3-1/4 | 5-3/4 | CTC-2424271K | 347.56 |
| | 2424272 | | P-UB-10 | 3-1/4 | 5-3/4 | CTC-2424272K | 347.56 |
| STEERING | | | | | | | |
| | 1630324 | | P-UB-10 | 1-3/4 | 3-1/2 | CTC-2281795 | 134.61 |
| TILT | | | | | | | |
| | 2424270 | | P-UB-10 | 3-1/4 | 6-1/4 | CTC-2424270K | 288.11 |
| | 2457487 | | P-UB-10 | 3-1/2 | 7-1/2 | CTC-2457487K | 354.40 |
| | 2457491 | | P-UB-10 | 3-1/4 | 6-1/4 | CTC-2457491K | 288.11 |
| MODEL 950K | | | | | | | |
| BUCKET | | | | | | | |
| FER1-UP; J5M1-UP; R4A1-UP | | | | | | | |
| | 3845321 | material handling | P-UB-10 | 2-1/4 | 5 | CTC-4700323 | 137.90 |
| J5M1-UP | | | | | | | |
| | 3450267 | multipurpose | I-U-15 | 60 mm | 100 mm | CTC-3704107 | 482.83 |
| R4A1-UP | | | | | | | |
| | 1883120 | side dump | P-UB-10 | 2-1/4 | 5 | CTC-1883143 | 129.64 |
| | 2200525 | multipurpose | I-U-15 | 70 mm | 125 mm | CTC-3704117 | 558.47 |
| | 3825007 | multipurpose/material handling | P-UB-10 | 2-1/4 | 4-1/2 | CTC-3110662 | 94.49 |
| COUPLER | | | | | | | |
| FER1-UP; J5M1-UP | | | | | | | |
| | 3642851 | | I-U-10 | 1 | 2-1/2 | CTC-3156338 | 24.43 |
| R4A1-UP | | | | | | | |
| | 3612508 | | I-U-10 | 1 | 2 | CTC-1832091 | 15.91 |
| FORK | | | | | | | |
| R4A1-UP | | | | | | | |
| | 2032208 | | P-UB-10 | 2-1/4 | 5 | CTC-2417578 | 87.32 |
| | 2350597 | | P-UB-10 | 2-1/4 | 4-1/2 | CTC-2370922 | 131.45 |
| | 3854585 | | P-UB-10 | 2-1/2 | 5-1/2 | CTC-3866092 | 217.41 |
| | 3878656 | | P-UB-10 | 2-1/2 | 5-1/2 | CTC-3866092 | 217.41 |
| LIFT | | | | | | | |
| FER1-UP; J5M1-UP; R4A1-UP | | | | | | | |
| | 3475536 | | P-UB-10 | 85 mm | 150 mm | CTC-SK100106 | 189.40 |
| | 3475541 | | P-UB-10 | 85 mm | 140 mm | CTC-SK100107 | 175.65 |
| STEERING | | | | | | | |
| FER1-UP | | | | | | | |
| | 3149338 | | P-UB-10 | 1-3/4 | 3-1/2 | CTC-3260503 | 219.76 |
| J5M1-UP; R4A1-UP | | | | | | | |
| | 3696640 | | P-UB-10 | 1-3/4 | 3-1/2 | CTC-3260503 | 219.76 |
| TILT | | | | | | | |
| FER1-UP; J5M1-UP; R4A1-UP | | | | | | | |
| | 3475542 | | P-UB-10 | 85 mm | 160 mm | CTC-SK100108 | 202.06 |
| | 3475543 | | P-UB-10 | 85 mm | 160 mm | CTC-SK100108 | 202.06 |
| MODEL 950M | | | | | | | |
| BUCKET | | | | | | | |
| EMB1-UP | | | | | | | |
| | 1883120 | | P-UB-10 | 2-1/4 | 5 | CTC-1883143 | 129.64 |
| | 2200525 | | I-U-15 | 70 mm | 125 mm | CTC-3704117 | 558.47 |
| | 3825007 | | P-UB-10 | 2-1/4 | 4-1/2 | CTC-3110662 | 94.49 |

REPLACEMENT KITS FOR CATERPILLAR® EQUIPMENT

| Loaders - Wheel | | | | | | | |
|-------------------------|---------|--------------------------------|---------|-------|--------|--------------|--------|
| APPLICATION | CYL # | Misc-Parts, Instructions, etc. | CODE | ROD | BORE | KIT # | |
| MODEL 950M | | | | | | | |
| BUCKET | | | | | | | |
| EMB1-UP; FTR1-UP | | | | | | | |
| | 3845321 | | P-UB-10 | 2-1/4 | 5 | CTC-4700323 | 137.90 |
| FTR1-UP | | | | | | | |
| | 3450267 | | I-U-15 | 60 mm | 100 mm | CTC-3704107 | 482.83 |
| COUPLER | | | | | | | |
| EMB1-UP; FTR1-UP | | | | | | | |
| | 3642851 | | I-U-10 | 1 | 2-1/2 | CTC-4560584 | 85.54 |
| | 4522500 | | I-U-10 | 1 | 2-1/2 | CTC-3156338 | 24.43 |
| FORK | | | | | | | |
| EMB1-UP | | | | | | | |
| | 3854585 | | P-UB-10 | 2-1/2 | 5-1/2 | CTC-3866092 | 217.41 |
| LIFT | | | | | | | |
| EMB1-UP; FTR1-UP | | | | | | | |
| | 3475536 | | P-UB-10 | 85 mm | 150 mm | CTC-SK100106 | 189.40 |
| | 3475541 | | P-UB-10 | 85 mm | 140 mm | CTC-SK100107 | 175.65 |
| | 4326169 | | P-UB-10 | 85 mm | 150 mm | CTC-SK100163 | 185.99 |
| STEERING | | | | | | | |
| EMB1-UP; FTR1-UP | | | | | | | |
| | 3596706 | | P-UB-10 | 50 mm | 80 mm | CTC-5186058 | 100.96 |
| | 3950394 | | P-UB-10 | 50 mm | 80 mm | CTC-5186058 | 100.96 |
| TILT | | | | | | | |
| EMB1-UP; FTR1-UP | | | | | | | |
| | 3475542 | | P-UB-10 | 85 mm | 160 mm | CTC-SK100108 | 202.06 |
| | 3475543 | | P-UB-10 | 85 mm | 160 mm | CTC-SK100108 | 202.06 |
| | 3475544 | | P-UB-10 | 85 mm | 170 mm | CTC-SK100164 | 313.91 |
| MODEL 960F | | | | | | | |
| LIFT | | | | | | | |
| | 7J9902 | | P-UB-10 | 2 | 4-1/4 | CTC-7X2819 | 144.19 |
| LIFT LH | | | | | | | |
| | 1U1147 | | P-UB-10 | 3 | 6 | CTC-7X2698 | 255.56 |
| LIFT RH | | | | | | | |
| | 1U1148 | | P-UB-10 | 3 | 6 | CTC-7X2698 | 255.56 |
| STEERING | | | | | | | |
| | 3G0892 | | P-UB-10 | 1-3/4 | 3-1/2 | CTC-7X2784 | 77.28 |
| | 6E3889 | | P-UB-10 | 1-3/4 | 3-1/2 | CTC-7X2784 | 77.28 |
| | 6E4892 | | P-UB-10 | 1-3/4 | 3-1/2 | CTC-7X2784 | 77.28 |
| TILT | | | | | | | |
| | 3G8786 | | P-UB-10 | 3-1/4 | 7 | CTC-1328518 | 298.10 |
| MODEL 960G, 962G | | | | | | | |
| LIFT RH | | | | | | | |
| | 1188296 | | P-UB-10 | 3 | 6 | CTC-7X2698 | 255.56 |
| | 1250024 | | P-UB-10 | 3 | 6 | CTC-7X2698 | 255.56 |
| STEERING | | | | | | | |
| | 1188288 | | P-UB-10 | 1-3/4 | 3-1/2 | CTC-7X2784 | 77.28 |
| TILT | | | | | | | |
| | 1294447 | | P-UB-10 | 3-1/4 | 7 | CTC-7X2710 | 278.70 |
| MODEL 966 | | | | | | | |
| LIFT | | | | | | | |
| | 9J2434 | | P-UB-10 | 2-1/2 | 6-1/2 | CTC-7X2666 | 232.97 |
| PUMP | | | | | | | |
| 25U; 30K; 42J; 76J; 78G | | | | | | | |
| | 9J5049 | | | | | CTC-9J5108 | 55.04 |
| STEERING | | | | | | | |
| | 6E5024 | | P-UB-10 | 2 | 4 | CTC-1113302 | 163.17 |

REPLACEMENT KITS FOR CATERPILLAR® EQUIPMENT

| Loaders - Wheel | | | | | | | |
|-------------------------|---------------------------|--------------------------------|---------|-------|--------|--------------|--------|
| APPLICATION | CYL # | Misc-Parts, Instructions, etc. | CODE | ROD | BORE | KIT # | |
| MODEL 966 | | | | | | | |
| STEERING LH | | | | | | | |
| | 7J9356 | | P-UB-10 | 2 | 4 | CTC-7X2755 | 156.44 |
| TILT | | | | | | | |
| | 3G5497 | | P-UB-14 | 3-1/4 | 8-1/4 | CTC-7X2703 | 323.31 |
| TILT LH | | | | | | | |
| | 7J9364 | | P-UB-10 | 2-1/2 | 6 | CTC-7X2669 | 296.27 |
| MODEL 966E, 966F | | | | | | | |
| LIFT LH | | | | | | | |
| | 3G5495 | | P-UB-10 | 3-1/4 | 7 | CTC-7X2710 | 278.70 |
| LIFT RH | | | | | | | |
| | 3G5496 | | P-UB-10 | 3-1/4 | 7 | CTC-7X2710 | 278.70 |
| STEERING | | | | | | | |
| | 4T1574 | | P-UB-10 | 2 | 4 | CTC-1328816 | 127.22 |
| | 6E5024 | | P-UB-10 | 2 | 4 | CTC-1113302 | 163.17 |
| | 9J7061 | 966E only | P-UB-10 | 2 | 4 | CTC-7X2789 | 139.93 |
| TILT | | | | | | | |
| | 3G5497 | | P-UB-14 | 3-1/4 | 8-1/4 | CTC-7X2703 | 323.31 |
| MODEL 966G | | | | | | | |
| LIFT LH | | | | | | | |
| | 1332964 | | P-UB-10 | 3-1/4 | 7 | CTC-7X2710 | 278.70 |
| LIFT RH | | | | | | | |
| | 1332963 | | P-UB-10 | 3-1/4 | 7 | CTC-7X2710 | 278.70 |
| STEERING | | | | | | | |
| | 1331747 | | P-UB-10 | 2 | 3-1/2 | CTC-7X2783 | 141.24 |
| TILT | | | | | | | |
| | 1332962 | | P-UB-10 | 3-1/4 | 9-1/4 | CTC-1332962K | 392.69 |
| | 1449005 | | P-UB-10 | 3-1/4 | 8-1/4 | CTC-2281780 | 324.55 |
| | 1713953 | | P-UB-10 | 3-1/4 | 8-1/4 | CTC-2281780 | 324.55 |
| | 1882445 | | P-UB-10 | 3-1/2 | 9-1/4 | CTC-2282533 | 431.94 |
| MODEL 966H | | | | | | | |
| LIFT | | | | | | | |
| | 2424274 | | P-UB-10 | 3-1/2 | 6-1/4 | CTC-2959888 | 282.99 |
| | 2424275 | | P-UB-10 | 3-1/2 | 6-1/4 | CTC-2959888 | 282.99 |
| STEERING | | | | | | | |
| | 1331747 | | P-UB-10 | 2 | 3-1/2 | CTC-7X2783 | 141.24 |
| TILT | | | | | | | |
| | 2424273 | | P-UB-10 | 3-1/4 | 170 mm | CTC-3133829 | 300.11 |
| | 2448777 | | P-UB-10 | 3-3/4 | 7-3/4 | CTC-3652880 | 255.00 |
| | 2457484 | | P-UB-10 | 3-1/4 | 170 mm | CTC-3133829 | 300.11 |
| MODEL 966K | | | | | | | |
| BUCKET | | | | | | | |
| | NGX1-UP; PBG1-UP | | | | | | |
| | 3845321 | | P-UB-10 | 2-1/4 | 5 | CTC-4700323 | 137.90 |
| | PBG1-UP; TFS1-UP | | | | | | |
| | 2200525 | | I-U-15 | 70 mm | 125 mm | CTC-3704117 | 558.47 |
| | TFS1-UP | | | | | | |
| | 1883120 | | P-UB-10 | 2-1/4 | 5 | CTC-1883143 | 129.64 |
| COUPLER | | | | | | | |
| | NGX1-UP; PBG1-UP; TFS1-UP | | | | | | |
| | 3612507 | | I-U-10 | 1 | 2-1/2 | CTC-4560584 | 85.54 |
| | PBG1-UP; TFS1-UP | | | | | | |
| | 4522509 | | I-U-10 | 1 | 2-1/2 | CTC-4560584 | 85.54 |
| FORK | | | | | | | |
| | TFS1-UP | | | | | | |
| | 2032208 | | P-UB-10 | 2-1/4 | 5 | CTC-2417578 | 87.32 |

REPLACEMENT KITS FOR CATERPILLAR® EQUIPMENT

| Loaders - Wheel | | | | | | | |
|--|---------|--------------------------------|---------|--------|--------|--------------|--------|
| APPLICATION | CYL # | Misc-Parts, Instructions, etc. | CODE | ROD | BORE | KIT # | |
| MODEL 966K | | | | | | | |
| LIFT | | | | | | | |
| NGX1-UP; PBG1-UP; TFS1-UP | | | | | | | |
| | 2424275 | | P-UB-10 | 3-1/2 | 6-1/4 | CTC-2959888 | 282.99 |
| | 3492514 | | P-UB-10 | 3-1/2 | 6-1/4 | CTC-2959888 | 282.99 |
| STEERING | | | | | | | |
| NGX1-205; PGB1-872; TFS1-777 | | | | | | | |
| | 3195045 | | P-UB-10 | 50 mm | 90 mm | CTC-4572837 | 113.89 |
| NGX206-UP; PGB873-UP; TFS778-UP | | | | | | | |
| | 3899689 | | P-UB-10 | 50 mm | 90 mm | CTC-4572837 | 113.89 |
| TILT | | | | | | | |
| NGX1-UP; PBG1-UP; TFS1-UP | | | | | | | |
| | 3562219 | | P-UB-10 | 3-1/4 | 170 mm | CTC-4576093 | 208.36 |
| | 3585189 | | P-UB-10 | 3-1/4 | 170 mm | CTC-3133829 | 300.11 |
| PBG1-UP; TFS1-UP | | | | | | | |
| | 3522057 | | P-UB-10 | 100 mm | 190 mm | CTC-SK100165 | 261.81 |
| MODEL 966M | | | | | | | |
| BUCKET | | | | | | | |
| DYC1-UP; P6C1-UP | | | | | | | |
| | 3845321 | | P-UB-10 | 2-1/4 | 5 | CTC-4700323 | 137.90 |
| KJP1-UP | | | | | | | |
| | 1883120 | | P-UB-10 | 2-1/4 | 5 | CTC-1883143 | 129.64 |
| | 2200525 | | I-U-15 | 70 mm | 125 mm | CTC-3704117 | 558.47 |
| COUPLER | | | | | | | |
| DYC1-UP; KJP1-562; P6C1-UP | | | | | | | |
| | 3612507 | | I-U-10 | 1 | 2-1/2 | CTC-4560584 | 85.54 |
| DYC1-UP; KJP568-UP; P6C1-UP | | | | | | | |
| | 4522509 | | I-U-10 | 1 | 2-1/2 | CTC-4560584 | 85.54 |
| LIFT | | | | | | | |
| DYC1-UP; KJP1-UP; P6C1-UP | | | | | | | |
| | 2424275 | | P-UB-10 | 3-1/2 | 6-1/4 | CTC-2959888 | 282.99 |
| | 3492514 | | P-UB-10 | 3-1/2 | 6-1/4 | CTC-2959888 | 282.99 |
| STEERING | | | | | | | |
| DYC1-UP; KJP1-UP; P6C1-UP | | | | | | | |
| | 3884770 | | P-UB-10 | 50 mm | 85 mm | CTC-4710172 | 131.72 |
| TILT | | | | | | | |
| DYC1-UP; KJP1-UP; P6C1-UP | | | | | | | |
| | 3596691 | | P-UB-10 | 3-1/4 | 170 mm | CTC-4576093 | 208.36 |
| | 3596692 | High Lift | P-UB-10 | 3-1/4 | 170 mm | CTC-4576093 | 208.36 |
| | 3596693 | | P-UB-10 | 100 mm | 190 mm | CTC-SK100166 | 296.09 |
| MODEL 970F | | | | | | | |
| LIFT LH | | | | | | | |
| | 6E5879 | | P-UB-10 | 3-1/4 | 7 | CTC-7X2710 | 278.70 |
| LIFT RH | | | | | | | |
| | 6E5878 | | P-UB-10 | 3-1/4 | 7 | CTC-7X2710 | 278.70 |
| STEERING | | | | | | | |
| | 4T1574 | | P-UB-10 | 2 | 4 | CTC-1328816 | 127.22 |
| | 6E5024 | | P-UB-10 | 2 | 4 | CTC-1113302 | 163.17 |
| TILT | | | | | | | |
| | 3G5497 | | P-UB-14 | 3-1/4 | 8-1/4 | CTC-7X2703 | 323.31 |
| MODEL 972G | | | | | | | |
| LIFT LH | | | | | | | |
| | 1332964 | Piston Bearings; 1.49", 1.99" | P-UB-10 | 3-1/4 | 7 | CTC-7X2710 | 278.70 |
| 1EW1-UP; 4WW1-UP; 6AW1-UP; 7LS1-UP; 9GW1-500; AAW1-400 | | | | | | | |
| | 1332964 | Piston Bearing; 1.49" | P-UB-10 | 3-1/4 | 7 | CTC-2281779 | 206.01 |
| LIFT RH | | | | | | | |
| | 1332963 | Piston Bearings; 1.49", 1.99" | P-UB-10 | 3-1/4 | 7 | CTC-7X2710 | 278.70 |

REPLACEMENT KITS FOR CATERPILLAR® EQUIPMENT

| Loaders - Wheel | | | | | | | |
|--|---------|--------------------------------|---------|-------|--------|--------------|--------|
| APPLICATION | CYL # | Misc-Parts, Instructions, etc. | CODE | ROD | BORE | KIT # | |
| MODEL 972G | | | | | | | |
| LIFT RH | | | | | | | |
| 1EW1-UP; 4WW1-UP; 6AW1-UP; 7LS1-UP; 9GW1-500; AAW1-400 | | | | | | | |
| | 1332963 | Piston Bearing; 1.49" | P-UB-10 | 3-1/4 | 7 | CTC-2281779 | 206.01 |
| STEERING | | | | | | | |
| | 1331747 | | P-UB-10 | 2 | 3-1/2 | CTC-7X2783 | 141.24 |
| 1EW1-UP; 4WW1-UP; 6AW1-UP; 7LS1-UP; 9GW1-319; AAW1-215 | | | | | | | |
| | 1331747 | | P-UB-10 | 2 | 3-1/2 | CTC-7X2783 | 141.24 |
| 1EW1-UP; 6AW1-UP | | | | | | | |
| | 1331747 | | P-UB-1 | 2 | | CTC-8C4510 | 43.62 |
| TILT | | | | | | | |
| 1EW1-UP; 4WW1-341; 6AW1-UP; 7SL1-306; 9GW1-292; AAW1-200 | | | | | | | |
| | 1332962 | | P-UB-10 | 3-1/4 | 9-1/4 | CTC-1332962K | 392.69 |
| 1EW1-UP; 4WW342-UP; 6AW1-UP; 9GW293-UP; AWW201-UP | | | | | | | |
| | 1882445 | | P-UB-10 | 3-1/2 | 9-1/4 | CTC-2282533 | 431.94 |
| 1EW1-UP; 6AW1-UP | | | | | | | |
| | 1744715 | | P-UB-10 | 3-1/4 | 9-1/4 | CTC-1744715K | 277.93 |
| | 1905955 | | P-UB-10 | 3-1/2 | 9-1/4 | CTC-2282533 | 431.94 |
| 4WW1-UP; 7SL1-UP | | | | | | | |
| | 1533747 | Logging Arrangement | P-UB-10 | 2-1/4 | 5 | CTC-2417578 | 87.32 |
| | 2032208 | Logging Arrangement | P-UB-10 | 2-1/4 | 5 | CTC-2417578 | 87.32 |
| AAW1-196 | | | | | | | |
| | 1449005 | | P-UB-10 | 3-1/4 | 8-1/4 | CTC-2281780 | 324.55 |
| MODEL 972H | | | | | | | |
| BUCKET | | | | | | | |
| A7D1-UP | | | | | | | |
| | 2200525 | | I-U-15 | 70 mm | 125 mm | CTC-3704117 | 558.47 |
| COUPLER | | | | | | | |
| A7D1-UP | | | | | | | |
| | 2370946 | | I-U-10 | 1 | 2 | CTC-1832091 | 15.91 |
| | 2370946 | Chk Vlv Kit | | | | CTC-2138433 | 17.12 |
| | 3612507 | | I-U-10 | 1 | 2-1/2 | CTC-3156338 | 24.43 |
| | 3612507 | Chk Vlv Kit | | | | CTC-2138433 | 17.12 |
| | 3612508 | | I-U-10 | 1 | 2 | CTC-1832091 | 15.91 |
| | 3612508 | Chk Vlv Kit | | | | CTC-2138433 | 17.12 |
| LIFT | | | | | | | |
| A7D1-UP; A7G1-UP; A7J1-UP; GTA1-UP; WLA1-UP | | | | | | | |
| | 2424274 | | P-UB-10 | 3-1/2 | 6-1/4 | CTC-2959888 | 282.99 |
| | 2424275 | | P-UB-10 | 3-1/2 | 6-1/4 | CTC-2959888 | 282.99 |
| STEERING | | | | | | | |
| A7D1-595; A7G1-1005; A7J1-295; WLA1-UP | | | | | | | |
| | 1331747 | | P-UB-10 | 2 | 3-1/2 | CTC-7X2783 | 141.24 |
| A7D596-UP; A7G1006-UP; A7J296-UP; GTA1-UP; WLA1-UP | | | | | | | |
| | 3149336 | | P-UB-10 | 2 | 3-1/2 | CTC-3260502 | 190.97 |
| TILT | | | | | | | |
| A7D1-UP | | | | | | | |
| | 2032208 | Logging Arrangement | P-UB-10 | 2-1/4 | 5 | CTC-2417578 | 87.32 |
| A7D1-UP; A7G1-2157; A7J1-UP; GTA1-UP; WLA1-UP | | | | | | | |
| | 2448777 | Logging Arrangement | P-UB-10 | 3-3/4 | 7-3/4 | CTC-3652880 | 255.00 |
| A7D1-UP; A7G1-UP; A7J1-UP; GTA1-UP | | | | | | | |
| | 2457486 | High Lift Arrangement | P-UB-10 | 3-3/4 | 7-3/4 | CTC-3652880 | 255.00 |
| A7D1-UP; A7G1-UP; GTA1-UP | | | | | | | |
| | 3585190 | High Lift Arrangement | P-UB-10 | 3-3/4 | 7-3/4 | CTC-3652880 | 255.00 |
| A7D1-UP; A7G2158-UP; GTA1-UP; WLA1-UP | | | | | | | |
| | 3562220 | | P-UB-10 | 3-3/4 | 7-3/4 | CTC-3652880 | 255.00 |

CATERPILLAR®

REPLACEMENT KITS FOR CATERPILLAR® EQUIPMENT

| Loaders - Wheel | | | | | | | |
|----------------------|---------|--------------------------------|---------|--------|--------|--------------|--------|
| APPLICATION | CYL # | Misc-Parts, Instructions, etc. | CODE | ROD | BORE | KIT # | |
| MODEL 972K | | | | | | | |
| BUCKET | | | | | | | |
| PEM1-UP | | | | | | | |
| | 3845321 | | P-UB-10 | 2-1/4 | 5 | CTC-4700323 | 137.90 |
| PEM1-UP; Z4W1-UP | | | | | | | |
| | 2200525 | | I-U-15 | 70 mm | 125 mm | CTC-3704117 | 558.47 |
| Z4W1-UP | | | | | | | |
| | 1883120 | | P-UB-10 | 2-1/4 | 5 | CTC-1883143 | 129.64 |
| COUPLER | | | | | | | |
| PEM1-UP; Z4W1-UP | | | | | | | |
| | 3612507 | | I-U-10 | 1 | 2-1/2 | CTC-4560584 | 85.54 |
| | 4522509 | | I-U-10 | 1 | 2-1/2 | CTC-4560584 | 85.54 |
| FORK | | | | | | | |
| Z4W1-UP | | | | | | | |
| | 2032208 | | P-UB-10 | 2-1/4 | 5 | CTC-2417578 | 87.32 |
| LIFT | | | | | | | |
| PEM1-UP; Z4W1-UP | | | | | | | |
| | 2424275 | | P-UB-10 | 3-1/2 | 6-1/4 | CTC-2959888 | 282.99 |
| | 3492514 | | P-UB-10 | 3-1/2 | 6-1/4 | CTC-2959888 | 282.99 |
| STEERING | | | | | | | |
| PEM1-591; Z4W1-459 | | | | | | | |
| | 3195045 | | P-UB-10 | 50 mm | 90 mm | CTC-4572837 | 113.89 |
| PEM592-UP; Z4W460-UP | | | | | | | |
| | 3899689 | | P-UB-10 | 50 mm | 90 mm | CTC-4572837 | 113.89 |
| TILT | | | | | | | |
| PEM1-UP; Z4W1-UP | | | | | | | |
| | 3522057 | | P-UB-10 | 100 mm | 190 mm | CTC-SK100165 | 261.81 |
| | 3547410 | | P-UB-10 | 100 mm | 190 mm | CTC-SK100165 | 261.81 |
| MODEL 972M | | | | | | | |
| BUCKET | | | | | | | |
| A8P1-UP | | | | | | | |
| | 2200525 | | I-U-15 | 70 mm | 125 mm | CTC-3704117 | 558.47 |
| JPR1-UP | | | | | | | |
| | 3845321 | | P-UB-10 | 2-1/4 | 5 | CTC-4700323 | 137.90 |
| COUPLER | | | | | | | |
| A8P1-302; JPR1-UP | | | | | | | |
| | 3612507 | | I-U-10 | 1 | 2-1/2 | CTC-4560584 | 85.54 |
| A8P303-UP; JPR1-UP | | | | | | | |
| | 4522509 | | I-U-10 | 1 | 2-1/2 | CTC-4560584 | 85.54 |
| LIFT | | | | | | | |
| A8P1-UP; JPR1-UP | | | | | | | |
| | 2424275 | | P-UB-10 | 3-1/2 | 6-1/4 | CTC-2959888 | 282.99 |
| | 3492514 | | P-UB-10 | 3-1/2 | 6-1/4 | CTC-2959888 | 282.99 |
| STEERING | | | | | | | |
| A8P1-UP; JPR1-UP | | | | | | | |
| | 3884770 | | P-UB-10 | 50 mm | 85 mm | CTC-4710172 | 131.72 |
| TILT | | | | | | | |
| A8P1-UP; JPR1-UP | | | | | | | |
| | 3596693 | | P-UB-10 | 100 mm | 190 mm | CTC-SK100166 | 296.09 |
| | 3596694 | | P-UB-10 | 100 mm | 190 mm | CTC-SK100166 | 296.09 |
| MODEL 972M XE | | | | | | | |
| BUCKET | | | | | | | |
| EDW1-UP | | | | | | | |
| | 3845321 | | P-UB-10 | 2-1/4 | 5 | CTC-4700323 | 137.90 |

REPLACEMENT KITS FOR CATERPILLAR® EQUIPMENT

| Loaders - Wheel | | | | | | | |
|----------------------|---------|--------------------------------|---------|--------|--------|--------------|--------|
| APPLICATION | CYL # | Misc-Parts, Instructions, etc. | CODE | ROD | BORE | KIT # | |
| MODEL 972M XE | | | | | | | |
| LIFT | | | | | | | |
| EDW1-UP | | | | | | | |
| | 2424275 | | P-UB-10 | 3-1/2 | 6-1/4 | CTC-2959888 | 282.99 |
| | 3492514 | | P-UB-10 | 3-1/2 | 6-1/4 | CTC-2959888 | 282.99 |
| | 4395316 | | P-UB-10 | 90 mm | 170 mm | CTC-SK100167 | 258.03 |
| | 4395317 | | P-UB-10 | 90 mm | 170 mm | CTC-SK100167 | 258.03 |
| STEERING | | | | | | | |
| EDW1-UP | | | | | | | |
| | 3884770 | | P-UB-10 | 50 mm | 85 mm | CTC-4710172 | 131.72 |
| TILT | | | | | | | |
| EDW1-UP | | | | | | | |
| | 3596693 | | P-UB-10 | 100 mm | 190 mm | CTC-SK100166 | 296.09 |
| | 3596694 | | P-UB-10 | 100 mm | 190 mm | CTC-SK100166 | 296.09 |
| MODEL 980F | | | | | | | |
| LIFT | | | | | | | |
| | 1U3527 | | P-UB-10 | 3-1/2 | 7-1/2 | CTC-7X2730 | 219.48 |
| STEERING | | | | | | | |
| | 6E6653 | | P-UB-10 | 2-1/4 | 4-1/2 | CTC-1354392 | 192.54 |
| STEERING LH | | | | | | | |
| | 9J6536 | | P-UB-10 | 2-1/4 | 4-1/2 | CTC-1373529 | 85.84 |
| STEERING RH | | | | | | | |
| | 9J5869 | | P-UB-10 | 2-1/4 | 4-1/2 | CTC-1373529 | 85.84 |
| TILT LH | | | | | | | |
| | 3G1306 | | P-UB-10 | 2-3/4 | 6-1/4 | CTC-7X2688 | 202.95 |
| | 3G5070 | | P-UB-10 | 2-3/4 | 7 | CTC-1328284 | 182.56 |
| | 4T6791 | | P-UB-10 | 3 | 6-1/4 | CTC-7X2701 | 154.56 |
| | 9T2419 | | P-UB-10 | 3 | 6-1/4 | CTC-1328491 | 309.58 |
| TILT RH | | | | | | | |
| | 3G1305 | | P-UB-10 | 2-3/4 | 6-1/4 | CTC-7X2688 | 202.95 |
| | 3G5069 | | P-UB-10 | 2-3/4 | 7 | CTC-1328284 | 182.56 |
| | 4T7949 | | P-UB-10 | 3 | 6-1/4 | CTC-7X2701 | 154.56 |
| | 6E4866 | | P-UB-10 | 2-3/4 | 6-1/4 | CTC-7X2688 | 202.95 |
| | 9T2418 | | P-UB-10 | 3 | 6-1/4 | CTC-1328491 | 309.58 |
| MODEL 980G | | | | | | | |
| LIFT | | | | | | | |
| | 1118181 | | P-UB-10 | 3-1/2 | 7-3/4 | CTC-2281775 | 218.80 |
| STEERING | | | | | | | |
| | 1151371 | | P-UB-10 | 2-1/4 | 4 | CTC-1546526 | 196.04 |
| TILT | | | | | | | |
| | 1463032 | | P-UB-10 | 3 | 7 | CTC-1605796 | 322.67 |
| TILT LH | | | | | | | |
| | 1125004 | | P-UB-10 | 2-3/4 | 6-1/4 | CTC-7X2688 | 202.95 |
| | 1240617 | | P-UB-10 | 3 | 7 | CTC-1605796 | 322.67 |
| | 1246227 | | P-UB-10 | 3 | 6-1/4 | CTC-1917694 | 298.24 |
| | 1463035 | | P-UB-10 | 3 | 7 | CTC-1605796 | 322.67 |
| TILT RH | | | | | | | |
| | 1125003 | | P-UB-10 | 2-3/4 | 6-1/4 | CTC-7X2688 | 202.95 |
| | 1240616 | | P-UB-10 | 3 | 7 | CTC-1605796 | 322.67 |
| | 1246228 | | P-UB-10 | 3 | 6-1/4 | CTC-1917694 | 298.24 |
| MODEL 980H | | | | | | | |
| LIFT | | | | | | | |
| | 1118181 | | P-UB-10 | 3-1/2 | 7-3/4 | CTC-2281775 | 218.80 |
| STEERING | | | | | | | |
| | 1151371 | | P-UB-10 | 2-1/4 | 4 | CTC-1546526 | 196.04 |

REPLACEMENT KITS FOR CATERPILLAR® EQUIPMENT

| Loaders - Wheel | | | | | | | |
|-------------------|--|--------------------------------|---------|--------|--------|--------------|--------|
| APPLICATION | CYL # | Misc-Parts, Instructions, etc. | CODE | ROD | BORE | KIT # | |
| MODEL 980H | | | | | | | |
| TILT LH | | | | | | | |
| | 1125004 | | P-UB-10 | 2-3/4 | 6-1/4 | CTC-7X2688 | 202.95 |
| | 1240617 | | P-UB-10 | 3 | 7 | CTC-1605796 | 322.67 |
| | 1246227 | | P-UB-10 | 3 | 6-1/4 | CTC-1917694 | 298.24 |
| TILT RH | | | | | | | |
| | 1125003 | | P-UB-10 | 2-3/4 | 6-1/4 | CTC-7X2688 | 202.95 |
| | 1240616 | | P-UB-10 | 3 | 7 | CTC-1605796 | 322.67 |
| | 1246228 | | P-UB-10 | 3 | 6-1/4 | CTC-1917694 | 298.24 |
| MODEL 980K | | | | | | | |
| FORK | | | | | | | |
| | W7K1- | | | | | | |
| | 2032208 | | P-UB-10 | 2-1/4 | 5 | CTC-2417578 | 87.32 |
| LIFT | | | | | | | |
| | GTZ1-; W7K1- | | | | | | |
| | 3349861 | | P-UB-10 | 90 mm | 180 mm | CTC-4572370 | 291.42 |
| STEERING | | | | | | | |
| | GTZ1-; NEP1-; W7K1- | | | | | | |
| | 3195051 | | P-UB-10 | 55 mm | 100 mm | CTC-3195051K | 151.39 |
| TILT | | | | | | | |
| | GTZ1-; W7K1- | | | | | | |
| | 3453897 | | P-UB-10 | 100 mm | 140 mm | CTC-3453897K | 150.75 |
| | 3519360 | | P-UB-10 | 100 mm | 140 mm | CTC-3519360K | 150.75 |
| | W7K1- | | | | | | |
| | 3615042 | | P-UB-10 | 100 mm | 150 mm | CTC-3615042K | 154.66 |
| MODEL 980M | | | | | | | |
| COUPLER | | | | | | | |
| | KRS1-UP; MK21-UP; N8T1-UP; WW31-UP; XDJ1-UP | | | | | | |
| | 4522500 | | I-U-10 | 1 | 2-1/2 | CTC-4560584 | 85.54 |
| | KRS1-UP; XDJ1-UP | | | | | | |
| | 4476628 | | I-U-10 | 1 | 2-1/2 | CTC-4560584 | 85.54 |
| | 4522509 | | I-U-10 | 1 | 2-1/2 | CTC-4560584 | 85.54 |
| LIFT | | | | | | | |
| | KRS1-UP; MGD1-UP; MK21-UP; N8T1-UP; WW31-UP; XDJ1-UP | | | | | | |
| | 3826076 | | P-UB-10 | 90 mm | 180 mm | CTC-4572370 | 291.42 |
| | 3870059 | | P-UB-10 | 95 mm | 130 mm | CTC-4710336 | 186.27 |
| | 3870059 | | Bushing | 95 mm | | CTC-1289260 | 56.30 |
| STEERING | | | | | | | |
| | KRS1-UP; MGD1-UP; MK21-UP; N8T1-UP; WW31-UP; XDJ1-UP | | | | | | |
| | 3950387 | | P-UB-10 | 55 mm | 95 mm | CTC-4710276 | 143.58 |
| TILT | | | | | | | |
| | KRS1-UP; MGD1-UP; MK21-UP; N8T1-UP; WW31-UP; XDJ1-UP | | | | | | |
| | 3827982 | | P-UB-10 | 95 mm | 130 mm | CTC-4710336 | 186.27 |
| | 3827982 | | Bushing | 95 mm | | CTC-1289260 | 56.30 |
| | KRS1-UP; MGD1-UP; N8T1-UP; WW31-UP; XDJ1-UP | | | | | | |
| | 3519361 | | P-UB-10 | 100 mm | 170 mm | CTC-SK100208 | 253.22 |
| | 3519361 | | Bushing | 100 mm | | CTC-1140757 | 66.11 |
| | KRS1-UP; XDJ1-UP | | | | | | |
| | 3615042 | | P-UB-10 | 100 mm | 150 mm | CTC-SK100209 | 189.62 |
| | 3615042 | | Bushing | 100 mm | | CTC-1140757 | 66.11 |
| | MK21-UP; N8T1-UP; WW31-UP | | | | | | |
| | 3557732 | | P-UB-10 | 100 mm | 170 mm | CTC-SK100208 | 253.22 |
| | 3557732 | | Bushing | 100 mm | | CTC-1140757 | 66.11 |
| MODEL 982M | | | | | | | |
| COUPLER | | | | | | | |
| | K1Y1-UP; XDL1-UP | | | | | | |
| | 4476628 | | I-U-10 | 1 | 2-1/2 | CTC-4560584 | 85.54 |

REPLACEMENT KITS FOR CATERPILLAR® EQUIPMENT

| Loaders - Wheel | | | | | | | |
|--|-----------------------|--------------------------------|---------|--------|--------|--------------|--------|
| APPLICATION | CYL # | Misc-Parts, Instructions, etc. | CODE | ROD | BORE | KIT # | |
| MODEL 982M | | | | | | | |
| LIFT | | | | | | | |
| F9A1-UP; K1Y1-UP; LRS1-UP; MK61-UP; WMD1-UP; XDL1-UP | | | | | | | |
| 3596695 | | | P-UB-10 | 100 mm | 190 mm | CTC-4778370 | 279.75 |
| 3596695 | | | Bushing | 100 mm | | CTC-1140757 | 66.11 |
| LIFT & TILT | | | | | | | |
| K1Y1-UP; LRS20201-UP; MK620101-UP; XDL1-UP | | | | | | | |
| 5205977 | | | P-UB-10 | 95 mm | 130 mm | CTC-4710336 | 186.27 |
| 5205977 | | | Bushing | 95 mm | | CTC-1289260 | 56.30 |
| STEERING | | | | | | | |
| F9A1-UP; K1Y1-UP; LRS1-UP; MK61-UP; WMD1-UP; XDL1-UP | | | | | | | |
| 3950387 | | | P-UB-10 | 55 mm | 95 mm | CTC-4710276 | 143.58 |
| TILT | | | | | | | |
| F9A1-UP; K1Y1-UP; LRS1-UP; MK61-UP; WMD1-UP; XDL1-UP | | | | | | | |
| 3827981 | | | P-UB-10 | 95 mm | 130 mm | CTC-4710336 | 186.27 |
| 3827981 | | | Bushing | 95 mm | | CTC-1289260 | 56.30 |
| LRS20201-UP; MK620101-UP; XDL510-UP | | | | | | | |
| 5276910 | | | P-UB-10 | 100 mm | 150 mm | CTC-SK100210 | 227.54 |
| 5276910 | | | Bushing | 100 mm | | CTC-1140757 | 66.11 |
| MODEL 988F | | | | | | | |
| LIFT | | | | | | | |
| 9T8257 | | | P-UB-10 | 4 | 8-1/2 | CTC-7X2742 | 296.51 |
| STEERING | | | | | | | |
| 9J8165 | | | P-UB-10 | 2-1/4 | 5 | CTC-9X6392 | 219.47 |
| TILT | | | | | | | |
| 3G2976 | | | P-UB-10 | 3-1/2 | 8-1/2 | CTC-7X2719 | 257.62 |
| 4T6792 | | | P-UB-10 | 3-1/2 | 7-3/4 | CTC-1570284 | 234.30 |
| 9J3632 | | | P-UB-10 | 3-1/4 | 7-3/4 | CTC-7X2706 | 351.06 |
| MODEL 988G | | | | | | | |
| LIFT | | | | | | | |
| 1521644 | | | P-UB-10 | 4-1/2 | 220 mm | CTC-2295546 | 507.05 |
| LIFT LH | | | | | | | |
| 1686943 | Logging Arrangement | | P-UB-10 | 5 | 9-1/4 | CTC-1686943K | 462.52 |
| 1738613 | | | P-UB-10 | 5 | 220 mm | CTC-2295549 | 689.56 |
| LIFT RH | | | | | | | |
| 1686942 | | | P-UB-10 | 5 | 9-1/4 | CTC-2857396 | 452.35 |
| 1738612 | | | P-UB-10 | 5 | 220 mm | CTC-2295549 | 689.56 |
| STEERING LH | | | | | | | |
| 1338173 | | | P-UB-10 | 2-1/2 | 4 | CTC-1542501 | 196.93 |
| 2594733 | | | P-UB-10 | 2-1/2 | 4 | CTC-2295538 | 228.07 |
| STEERING RH | | | | | | | |
| 1353288 | | | P-UB-10 | 2-1/2 | 4 | CTC-1542501 | 196.93 |
| 2594737 | | | P-UB-10 | 2-1/2 | 4 | CTC-2295538 | 228.07 |
| TILT | | | | | | | |
| 1521644 | High Lift Arrangement | | P-UB-10 | 4-1/2 | 220 mm | CTC-2295546 | 507.05 |
| 1686944 | | | P-UB-10 | 4-1/2 | 9-1/4 | CTC-3812504 | 511.02 |
| 2311955 | | | P-UB-10 | 4-1/2 | 220 mm | CTC-2295546 | 507.05 |
| MODEL 988H | | | | | | | |
| COUPLER | | | | | | | |
| BXY1- | | | | | | | |
| 1949203 | | | I-U-15 | 30 mm | 50 mm | CTC-2341902 | 29.94 |
| LIFT LH | | | | | | | |
| A7A1- | | | | | | | |
| 1738613 | | | P-UB-10 | 5 | 220 mm | CTC-2295549 | 689.56 |
| BXY1- | | | | | | | |
| 1738613 | | | P-UB-10 | 5 | 220 mm | CTC-2295549 | 689.56 |

REPLACEMENT KITS FOR CATERPILLAR® EQUIPMENT

| Loaders - Wheel | | | | | | | |
|-------------------------------|---------|--------------------------------|---------|-------|--------|-------------|---------|
| APPLICATION | CYL # | Misc-Parts, Instructions, etc. | CODE | ROD | BORE | KIT # | |
| MODEL 988H | | | | | | | |
| LIFT RH | | | | | | | |
| A7A1- | | | | | | | |
| | 1738612 | | P-UB-10 | 5 | 220 mm | CTC-2295549 | 689.56 |
| BXY1- | | | | | | | |
| | 1738612 | | P-UB-10 | 5 | 220 mm | CTC-2295549 | 689.56 |
| STEERING | | | | | | | |
| A7A1-; BXY1900- | | | | | | | |
| | 2880568 | | P-UB-10 | 2-1/2 | 4 | CTC-2295538 | 228.07 |
| STEERING LH | | | | | | | |
| BXY1-1899 | | | | | | | |
| | 2594733 | | P-UB-10 | 2-1/2 | 4 | CTC-2295538 | 228.07 |
| STEERING RH | | | | | | | |
| BXY1-1899 | | | | | | | |
| | 2594737 | | P-UB-10 | 2-1/2 | 4 | CTC-2295538 | 228.07 |
| TILT | | | | | | | |
| A7A1-; BXY1- | | | | | | | |
| | 2311955 | | P-UB-10 | 4-1/2 | 220 mm | CTC-2295546 | 507.05 |
| BXY1- | | | | | | | |
| | 2716441 | | P-UB-10 | 4-1/2 | 220 mm | CTC-2295546 | 507.05 |
| MODEL 990 | | | | | | | |
| STEERING LH | | | | | | | |
| | 6E1244 | | P-UB-14 | 3-1/4 | 5-1/2 | CTC-1354539 | 168.83 |
| STEERING RH | | | | | | | |
| | 9T9568 | | P-UB-14 | 3-1/4 | 5-1/2 | CTC-1354539 | 168.83 |
| TILT | | | | | | | |
| | 1459897 | | P-UB-10 | 5-3/4 | 11-1/2 | CTC-1354382 | 619.02 |
| | 9T9570 | | P-UB-10 | 5-3/4 | 11-1/2 | CTC-1354382 | 619.02 |
| MODEL 992D | | | | | | | |
| LIFT | | | | | | | |
| | 1028731 | | P-UB-10 | 7 | 11-1/2 | CTC-7X2809 | 619.73 |
| | 1U1771 | | P-UB-10 | 7 | 11-1/2 | CTC-7X2809 | 619.73 |
| | 9J2994 | | P-UB-10 | 7 | 11-1/2 | CTC-7X2809 | 619.73 |
| STEERING | | | | | | | |
| | 9J5419 | | P-UB-10 | 3-1/4 | 7 | CTC-7X2710 | 278.70 |
| TILT LH | | | | | | | |
| | 1026248 | | P-UB-10 | 4 | 10 | CTC-7X2810 | 316.61 |
| | 1U1767 | | P-UB-10 | 4 | 10 | CTC-7X2811 | 376.56 |
| | 3G4599 | | P-UB-10 | 4 | 10 | CTC-7X2810 | 316.61 |
| TILT RH | | | | | | | |
| | 1026247 | | P-UB-10 | 4 | 10 | CTC-7X2810 | 316.61 |
| | 1U1766 | | P-UB-10 | 4 | 10 | CTC-7X2811 | 376.56 |
| | 3G4598 | | P-UB-10 | 4 | 10 | CTC-7X2810 | 316.61 |
| MODEL 992G | | | | | | | |
| LIFT LH | | | | | | | |
| 7HR1- | | | | | | | |
| | 1128209 | | P-UB-10 | 7 | 11 | CTC-1570289 | 1312.45 |
| 7HR1-231 | | | | | | | |
| | 1128209 | | P-UB-10 | 7 | 11 | CTC-1597532 | 1312.45 |
| 7HR232-99999; ADZ1-; AZX1-833 | | | | | | | |
| | 1621523 | | P-UB-10 | 7 | 11 | CTC-2297189 | 866.75 |
| AZX834- | | | | | | | |
| | 3153044 | | P-UB-10 | 7 | 11 | CTC-2297189 | 866.75 |
| LIFT RH | | | | | | | |
| 7HR1-231 | | | | | | | |
| | 1367880 | | P-UB-10 | 7 | 11 | CTC-1570289 | 1312.45 |
| | 1367880 | | P-UB-10 | 7 | 11 | CTC-1597532 | 1312.45 |

REPLACEMENT KITS FOR CATERPILLAR® EQUIPMENT

| Loaders - Wheel | | | | | | | |
|-------------------------------|---------|--------------------------------|---------|-------|--------|--------------|---------|
| APPLICATION | CYL # | Misc-Parts, Instructions, etc. | CODE | ROD | BORE | KIT # | |
| MODEL 992G | | | | | | | |
| LIFT RH | | | | | | | |
| 7HR232-99999; ADZ1-; AZX1-833 | | | | | | | |
| | 1621522 | | P-UB-10 | 7 | 11 | CTC-2297189 | 866.75 |
| AZX834- | | | | | | | |
| | 3153043 | | P-UB-10 | 7 | 11 | CTC-2297189 | 866.75 |
| STEERING | | | | | | | |
| 7HR1-99999; ADZ1-; AZX1- | | | | | | | |
| | 1128208 | | P-UB-10 | 3-1/4 | 5-1/2 | CTC-2297191 | 316.33 |
| TILT | | | | | | | |
| 7HR1-99999; ADZ1-; AZX1- | | | | | | | |
| | 1677996 | | P-UB-10 | 5-1/2 | 11 | CTC-2297190 | 622.14 |
| MODEL 992K | | | | | | | |
| LIFT LH | | | | | | | |
| 8801- | | | | | | | |
| | 2711717 | | P-UB-10 | 7 | 11 | CTC-2297189 | 866.75 |
| H4C1- | | | | | | | |
| | 2711717 | | P-UB-10 | 7 | 11 | CTC-2297189 | 866.75 |
| H4C1-; ZMX1- | | | | | | | |
| | 2711717 | | P-UB-10 | 7 | 11 | CTC-2297189 | 866.75 |
| LIFT RH | | | | | | | |
| 8801-; ZMX1- | | | | | | | |
| | 2711716 | | P-UB-10 | 7 | 11 | CTC-2297189 | 866.75 |
| H4C1- | | | | | | | |
| | 2711716 | | P-UB-10 | 7 | 11 | CTC-2297189 | 866.75 |
| STEERING | | | | | | | |
| 8801-; H4C1-; ZMX1- | | | | | | | |
| | 1571352 | | P-UB-10 | 3-1/4 | 5-1/2 | CTC-2297191 | 316.33 |
| TILT LH | | | | | | | |
| 8801-; H4C1-; ZMX1- | | | | | | | |
| | 2713572 | | P-UB-10 | 6 | 10-1/2 | CTC-2713572K | 1068.41 |
| MODEL 994D | | | | | | | |
| LIFT | | | | | | | |
| 3TZ1-UP | | | | | | | |
| | 1934076 | | P-UB-10 | 8 | 12 | CTC-2456821 | 1586.20 |
| | 9T9020 | | P-UB-10 | 8 | 12 | CTC-2456821 | 1586.20 |
| LIFT (HI-LIFT) | | | | | | | |
| 3TZ1-UP | | | | | | | |
| | 1934075 | | P-UB-10 | 8 | 12 | CTC-2456821 | 1586.20 |
| | 9T9023 | | P-UB-10 | 8 | 12 | CTC-2456821 | 1586.20 |
| STEERING LH | | | | | | | |
| 3TZ1-UP | | | | | | | |
| | 6E0529 | | P-UB-10 | 4-1/4 | 7-3/4 | CTC-1309763 | 523.40 |
| | 6E0529 | | P-UB-1 | 4-1/4 | | CTC-1309771 | 366.44 |
| STEERING RH | | | | | | | |
| 3TZ1-UP | | | | | | | |
| | 9T9019 | | P-UB-10 | 4-1/4 | 7-3/4 | CTC-2463431 | 523.40 |
| | 9T9019 | | P-UB-1 | 4-1/4 | | CTC-2463432 | 366.44 |
| TILT LH | | | | | | | |
| 3TZ1-UP | | | | | | | |
| | 1123172 | CHG 10- | P-UB-10 | 5-1/2 | 10-1/2 | CTC-2342590 | 724.73 |
| | 1123172 | | P-UB-10 | 5-1/2 | 10-1/2 | CTC-2463437 | 892.94 |
| TILT LH (HI-LIFT) | | | | | | | |
| 3TZ1-UP | | | | | | | |
| | 1142820 | | P-UB-10 | 5-1/2 | 10-1/2 | CTC-2463437 | 892.94 |
| | 2196272 | CHG 01- | P-UB-10 | 5-1/2 | 10-1/2 | CTC-2342590 | 724.73 |
| | 2196272 | | P-UB-10 | 5-1/2 | 10-1/2 | CTC-2463437 | 892.94 |

REPLACEMENT KITS FOR CATERPILLAR® EQUIPMENT

| Loaders - Wheel | | | | | | | |
|---------------------|------------------------------------|--------------------------------|---------|-------|--------|--------------|--------|
| APPLICATION | CYL # | Misc-Parts, Instructions, etc. | CODE | ROD | BORE | KIT # | |
| MODEL 994D | | | | | | | |
| TILT RH | | | | | | | |
| | 3TZ1-UP | | | | | | |
| | 1123171 | CHG 10, 11- | P-UB-10 | 5-1/2 | 10-1/2 | CTC-2342590 | 724.73 |
| | 1123171 | | P-UB-10 | 5-1/2 | 10-1/2 | CTC-2463437 | 892.94 |
| TILT RH (HI-LIFT) | | | | | | | |
| | 3TZ1-UP | | | | | | |
| | 1142821 | | P-UB-10 | 5-1/2 | 10-1/2 | CTC-2463437 | 892.94 |
| | 2196273 | CHG 01- | P-UB-10 | 5-1/2 | 10-1/2 | CTC-2342590 | 724.73 |
| | 2196273 | | P-UB-10 | 5-1/2 | 10-1/2 | CTC-2463437 | 892.94 |
| MODEL R1300 | | | | | | | |
| EJECTOR | | | | | | | |
| | 6QW1-UP; LJB1-UP; RSL1-UP | | | | | | |
| | | | P-UB-10 | 2-1/4 | 4 | CTC-2342591 | 88.48 |
| LIFT | | | | | | | |
| | 6QW1-UP; LJB1-UP; RSL1-UP | | | | | | |
| | | | P-UB-10 | 3-1/4 | 7 | CTC-2281779 | 206.01 |
| RAMMER | | | | | | | |
| | 6QW | | | | | | |
| | | | P-UB-10 | 2-1/2 | 5 | CTC-2430387 | 285.77 |
| STEERING | | | | | | | |
| | 6QW1-UP; LJB1-UP; RSL1-UP | | | | | | |
| | | | P-UB-10 | 3 | 6 | CTC-2378313 | 295.88 |
| TILT | | | | | | | |
| | 6QW1-UP; LJB1-UP; RSL1-UP | | | | | | |
| | | | P-UB-10 | 4-1/4 | 8-1/4 | CTC-2436225 | 316.65 |
| MODEL R1300G | | | | | | | |
| EJECTOR | | | | | | | |
| | 6QW1-UP; LJB1-UP; RSL1-UP | | | | | | |
| | | | P-UB-10 | 2-1/4 | 4 | CTC-2342591 | 88.48 |
| LIFT | | | | | | | |
| | 6QW1-UP; LJB1-UP; RSL1-UP | | | | | | |
| | | | P-UB-10 | 3-1/4 | 7 | CTC-2281779 | 206.01 |
| RAMMER | | | | | | | |
| | 6QW | | | | | | |
| | | | P-UB-10 | 2-1/2 | 5 | CTC-2430387 | 285.77 |
| STEERING | | | | | | | |
| | 6QW1-UP; LJB1-UP; RSL1-UP | | | | | | |
| | | | P-UB-10 | 3 | 6 | CTC-2378313 | 295.88 |
| TILT | | | | | | | |
| | 6QW1-UP; LJB1-UP; RSL1-UP | | | | | | |
| | | | P-UB-10 | 4-1/4 | 8-1/4 | CTC-2436225 | 316.65 |
| MODEL R1600 | | | | | | | |
| EJECTOR | | | | | | | |
| | 9EW1-UP; 9XP1-UP; 9PP1-UP; 9YZ1-UP | | | | | | |
| | | | P-UB-10 | 2 | 4-1/2 | CTC-2409936 | 193.04 |
| LIFT | | | | | | | |
| | 9EW830-837 | | | | | | |
| | | | P-UB-10 | 3-1/4 | 7 | CTC-2281779 | 206.01 |
| | 9EW838-UP; 9XP; 9PP; 9YZ | | | | | | |
| | | | P-UB-10 | 3-1/2 | 7-1/2 | CTC-2456831 | 294.58 |
| STEERING | | | | | | | |
| | 9EW1-UP; 9XP1-UP; 9PP1-UP; 9YZ1-UP | | | | | | |
| | | | P-UB-10 | 2 | 4 | CTC-2409538 | 94.69 |
| TILT | | | | | | | |
| | 9EW1-UP; 9XP1-UP; 9PP1-UP; 9YZ1-UP | | | | | | |
| | | | P-UB-10 | 5 | 9-1/4 | ELPH-9EP9170 | 431.71 |

REPLACEMENT KITS FOR CATERPILLAR® EQUIPMENT

| Loaders - Wheel | | | | | | | |
|----------------------------------|-------|------------------------------------|---------|-------|-------|--------------|--------|
| APPLICATION | CYL # | Misc-Parts, Instructions, etc. | CODE | ROD | BORE | KIT # | |
| MODEL R1600G | | | | | | | |
| EJECTOR | | | | | | | |
| | | 9EW1-UP; 9XP1-UP; 9PP1-UP; 9YZ1-UP | P-UB-10 | 2 | 4-1/2 | CTC-2409936 | 193.04 |
| LIFT | | | | | | | |
| | | 9EW830-837 | P-UB-10 | 3-1/4 | 7 | CTC-2281779 | 206.01 |
| | | 9EW838-UP; 9XP; 9PP; 9YZ | P-UB-10 | 3-1/2 | 7-1/2 | CTC-2456831 | 294.58 |
| STEERING | | | | | | | |
| | | 9EW1-UP; 9XP1-UP; 9PP1-UP; 9YZ1-UP | P-UB-10 | 2 | 4 | CTC-2409538 | 94.69 |
| TILT | | | | | | | |
| | | 9EW1-UP; 9XP1-UP; 9PP1-UP; 9YZ1-UP | P-UB-10 | 5 | 9-1/4 | ELPH-9EP9170 | 431.71 |
| MODEL R1700 | | | | | | | |
| LIFT | | | | | | | |
| | | 4LZ127-178 | P-UB-10 | 4 | 8-1/2 | ELPH-9DE2659 | 348.14 |
| | | 4LZ179-187 | P-UB-10 | 4 | 8-1/2 | ELPH-9EL7527 | 388.37 |
| | | 4LZ188-UP; 8XZ; SBR | P-UB-10 | 4 | 8-1/2 | CTC-2460659 | 359.07 |
| STEERING | | | | | | | |
| | | 4LZ1-UP; 8XZ1-UP; SBR1-UP | P-UB-10 | 2-1/2 | 5 | CTC-1636223 | 290.75 |
| TILT | | | | | | | |
| | | 4LZ127-130 | P-UB-10 | 4 | 10 | ELPH-9DE2994 | 444.89 |
| | | 4LZ131-UP; 8XZ; SBR | P-UB-10 | 5-1/2 | 10 | CTC-1663850 | 654.36 |
| MODEL R1700G | | | | | | | |
| LIFT | | | | | | | |
| | | 4LZ127-178 | P-UB-10 | 4 | 8-1/2 | ELPH-9DE2659 | 348.14 |
| | | 4LZ179-187 | P-UB-10 | 4 | 8-1/2 | ELPH-9EL7527 | 388.37 |
| | | 4LZ188-UP; 8XZ; SBR | P-UB-10 | 4 | 8-1/2 | CTC-2460659 | 359.07 |
| STEERING | | | | | | | |
| | | 4LZ1-UP; 8XZ1-UP; SBR1-UP | P-UB-10 | 2-1/2 | 5 | CTC-1636223 | 290.75 |
| TILT | | | | | | | |
| | | 4LZ127-130 | P-UB-10 | 4 | 10 | ELPH-9DE2994 | 444.89 |
| | | 4LZ131-UP; 8XZ; SBR | P-UB-10 | 5-1/2 | 10 | CTC-1663850 | 654.36 |
| Motor Graders | | | | | | | |
| APPLICATION | CYL # | Misc-Parts, Instructions, etc. | CODE | ROD | BORE | KIT # | |
| MODEL 12G | | | | | | | |
| ARTICULATION | | | | | | | |
| | | 8J0546 | P-UB-10 | 1-3/4 | 3 | CTC-7X2791 | 121.52 |
| | | 9T2453 | P-UB-10 | 1-3/4 | 3 | CTC-7X2825 | 73.65 |
| | | 9T8784 | P-UB-10 | 1-3/4 | 3 | CTC-7X2825 | 73.65 |
| BACKHOE STICK/BLADE SHIFT | | | | | | | |
| | | 8J0028 | P-UB-10 | 1-3/4 | 3 | CTC-7X2791 | 121.52 |

REPLACEMENT KITS FOR CATERPILLAR® EQUIPMENT

| Motor Graders | | | | | | | |
|-----------------------|--|--------------------------------|---------|-------|-------|-------------|--------|
| APPLICATION | CYL # | Misc-Parts, Instructions, etc. | CODE | ROD | BORE | KIT # | |
| MODEL 12G | | | | | | | |
| BLADE | | | | | | | |
| | 3G5223 | | P-UB-10 | 2 | 3-1/4 | CTC-7X2767 | 93.15 |
| | 8J6380 | | P-UB-10 | 2 | 3-1/4 | CTC-7X2767 | 93.15 |
| | 9T2472 | | P-UB-10 | 2 | 3 | CTC-7X2753 | 88.94 |
| | 9T2472 | | P-UB-10 | 2 | 3 | CTC-7X2760 | 96.66 |
| BLADE TIP | | | | | | | |
| | 6E1549 | | P-UB-10 | 1-1/2 | 2-3/4 | CTC-1361599 | 139.86 |
| | 8J0024 | | P-UB-10 | 1-1/2 | 2-3/4 | CTC-7X2749 | 81.02 |
| | 8J0024 | | P-UB-10 | 1-1/2 | 2-3/4 | CTC-8T1402 | 61.13 |
| | 9J3466 | | P-UB-10 | 1-1/2 | 2-3/4 | CTC-7X2749 | 81.02 |
| | 9T2461 | | P-UB-10 | 1-1/2 | 2-3/4 | CTC-1361599 | 139.86 |
| CENTER SHIFT | | | | | | | |
| | 3G5224 | | P-UB-10 | 2 | 3-1/4 | CTC-7X2767 | 93.15 |
| | 9T2549 | | P-UB-10 | 2 | 3 | CTC-7X2760 | 96.66 |
| CONVEYOR SWING | | | | | | | |
| | 3G5224 | | P-UB-10 | 2 | 3-1/4 | CTC-7X2767 | 93.15 |
| | 8J6367 | | P-UB-10 | 2 | 3-1/4 | CTC-7X2767 | 93.15 |
| | 9T2549 | | P-UB-10 | 2 | 3 | CTC-7X2760 | 96.66 |
| PUMP | | | | | | | |
| | 61M; 72V; 74V | | | | | | |
| | 8J0498 | | | | | CTC-3G1708 | 221.27 |
| RIPPER | | | | | | | |
| | 1137754 | | P-UB-10 | 2 | 4 | CTC-1328816 | 127.22 |
| | 8J1658 | | P-UB-10 | 2 | 4 | CTC-1328816 | 127.22 |
| SCARIFIER | | | | | | | |
| | 3G1853 | | P-UB-10 | 1-3/4 | 3 | CTC-7X2791 | 121.52 |
| | 8J7321 | | P-UB-10 | 1-1/2 | 3 | CTC-7X2751 | 87.84 |
| | 9T2554 | | P-UB-10 | 1-3/4 | 3 | CTC-7X2825 | 73.65 |
| | 9T6951 | | P-UB-10 | 1-3/4 | 3 | CTC-7X2825 | 73.65 |
| SIDESHIFT | | | | | | | |
| | 1052094 | | P-UB-10 | 1-3/4 | 3 | CTC-7X2825 | 73.65 |
| | 9T2483 | | P-UB-10 | 1-3/4 | 3 | CTC-7X2825 | 73.65 |
| STEERING LH | | | | | | | |
| | 3G8070 | | P-UB-10 | 1-1/2 | 2-1/2 | CTC-7X2739 | 77.55 |
| | 8J8820 | | P-UB-10 | 1-1/2 | 2-1/2 | CTC-7X2739 | 77.55 |
| | 9T2395 | | P-UB-10 | 1-1/2 | 2-1/4 | CTC-7X2826 | 55.89 |
| STEERING RH | | | | | | | |
| | 3G8069 | | P-UB-10 | 1-1/2 | 2-1/2 | CTC-7X2739 | 77.55 |
| | 8J5538 | | P-UB-10 | 1-1/2 | 2-1/2 | CTC-7X2739 | 77.55 |
| | 9T2393 | | P-UB-10 | 1-1/2 | 2-1/4 | CTC-7X2826 | 55.89 |
| WHEEL LEAN | | | | | | | |
| | 1219242 | | P-UB-10 | 2 | 3-1/2 | CTC-7X2783 | 141.24 |
| | 3G4752 | | P-UB-10 | 1-1/2 | 3-1/2 | CTC-7X2752 | 130.85 |
| | 8J5539 | | P-UB-10 | 1-1/2 | 3-1/2 | CTC-7X2752 | 130.85 |
| | 9T2520 | | P-UB-10 | 1-1/2 | 3-1/2 | CTC-1327058 | 142.49 |
| MODEL 12H | | | | | | | |
| ARTICULATION | | | | | | | |
| | 1251-; 2GS1-; 2LR1-; 2WR1-; 4ER1-; 4XM1-; 5ZM1-303; 8MN1-; AMZ1-; CBK1-; XZJ1- | | | | | | |
| | 9T8784 | | P-UB-10 | 1-3/4 | 3 | CTC-3769017 | 53.54 |
| | 2GS1-; 2LR1-; 2WR1-; 4ER1-; 4XM1-; 5ZM1-303; 8MN1-; XZJ1- | | | | | | |
| | 6E1560 | | P-UB-10 | 1-3/4 | 3 | CTC-3769017 | 53.54 |
| | AMZ1-; CBK1- | | | | | | |
| | 1376792 | | P-UB-10 | 1-7/8 | 3-1/4 | CTC-2465926 | 60.62 |
| BLADE LIFT | | | | | | | |
| | 1251-; 2GS1-; 2LR291-; 2WR1-; 4ER1-; 4XM766-; 5ZM1-; 8MN1-; AMZ1-; CBK1- | | | | | | |
| | 1324929 | | P-UB-10 | 2 | 3 | CTC-2384462 | 61.50 |

REPLACEMENT KITS FOR CATERPILLAR® EQUIPMENT

| Motor Graders | | | | | | | |
|--|-------|--------------------------------|---------|-------|-------|-------------|--------|
| APPLICATION | CYL # | Misc-Parts, Instructions, etc. | CODE | ROD | BORE | KIT # | |
| MODEL 12H | | | | | | | |
| BLADE TIP | | | | | | | |
| 1251-; 2WR566- | | | | | | | |
| 9T2461 | | | P-UB-10 | 1-1/2 | 2-3/4 | CTC-2339204 | 85.83 |
| 1251-; 2WR753- | | | | | | | |
| 1317191 | | | P-UB-10 | 1-1/2 | 2-3/4 | CTC-1856596 | 63.53 |
| 2GS1-388; 2LR1-; 2WR1-; 4ER1-; 4XM1-2005; 5ZM1-297; 8MN1-669 | | | | | | | |
| 6E1549 | | | P-UB-10 | 1-1/2 | 2-3/4 | CTC-2339204 | 85.83 |
| 2GS389-; 4ER557-; 4XM2006-; 5ZM298-; 8MN670-; AMZ1-; CBK1-; XZJ1- | | | | | | | |
| 1317191 | | | P-UB-10 | 1-1/2 | 2-3/4 | CTC-2339204 | 85.83 |
| CENTER SHIFT | | | | | | | |
| 1251-; 2GS1-; 2LR1-; 2WR1-; 4ER1-; 4XM1-; 5ZM1-; 8MN1-; AMZ1-; CBK1-; XZJ1- | | | | | | | |
| 6E1343 | | | P-UB-10 | 2 | 3 | CTC-1857667 | 116.13 |
| CONVEYOR SWING | | | | | | | |
| 6E1343 | | | P-UB-10 | 2 | 3 | CTC-7X2760 | 96.66 |
| LIFT | | | | | | | |
| 2LR1-290; 2WR1-; 4ER1-; 4XM1-760; 4XM763-765; 8MN1- | | | | | | | |
| 6E1338 | | | P-UB-10 | 2 | 3 | CTC-2384462 | 61.50 |
| 2WR1- | | | | | | | |
| 3Q8420 | | | P-UB-10 | 1-3/4 | 3 | CTC-7X2791 | 121.52 |
| LIFT/TILT | | | | | | | |
| 1251-; 2WR1- | | | | | | | |
| 1526485 | | | P-UB-10 | 2 | 4 | CTC-2409538 | 94.69 |
| RIPPER | | | | | | | |
| 1251-; 2LR1-; 2WR1-; 4XM1-; 5ZM1-; AMZ1- | | | | | | | |
| 1137754 | | | P-UB-10 | 2 | 4 | CTC-1857688 | 95.52 |
| 2GS1-; 4ER1-; 8MN1-; CBK1-; XZJ1- | | | | | | | |
| 1137754 | | | P-UB-10 | 2 | 4 | CTC-2339205 | 59.01 |
| SCARIFIER | | | | | | | |
| 9T2554 | | | P-UB-10 | 1-3/4 | 3 | CTC-7X2825 | 73.65 |
| 2GS1-; 2LR1-; 2WR1-; 4ER1-303; 4XM2285-; 5ZM1-; 8MN1-; AMZ1-; CBK1-; XZJ1- | | | | | | | |
| 1652510 | | | P-UB-10 | 1-3/4 | 3 | CTC-3769017 | 53.54 |
| 2LR1-; 4XM1-2284; 5ZM1- | | | | | | | |
| 9T6951 | | | P-UB-10 | 1-3/4 | 3 | CTC-7X2825 | 73.65 |
| SIDESHIFT | | | | | | | |
| 1251-; 2GS1-; 2LR1-; 2WR1-; 4ER1-; 4XM1-; 5ZM1-; 8MN1-; AMZ1-; CBK1-; XZJ1- | | | | | | | |
| 1125575 | | | P-UB-10 | 1-3/4 | 3 | CTC-3769017 | 53.54 |
| STEERING LH | | | | | | | |
| 1251-; 2GS448-; 2LR1-; 2WR881-883; 2WR887-; 4ER627-; 4XM1-; 8MN724-; AMZ1-; CBK1-; XZJ1- | | | | | | | |
| 1309041 | | | P-UB-10 | 1-1/2 | 2-1/4 | CTC-1856590 | 41.91 |
| 2GS1-447; 2LR1-; 2WR1-880; 2WR884-886; 4ER1-626; 4XM1-; 5ZM1-303; 8MN1-723 | | | | | | | |
| 9T2395 | | | P-UB-10 | 1-1/2 | 2-1/4 | CTC-2465916 | 73.96 |
| STEERING RH | | | | | | | |
| 1251-; 2GS448-; 2LR1-; 2WR881-883; 2WR887-; 4ER627-; 4XM1-; 8MN724-; AMZ1-; CBK1-; XZJ1- | | | | | | | |
| 1309042 | | | P-UB-10 | 1-1/2 | 2-1/4 | CTC-1856590 | 41.91 |
| 2GS1-447; 2LR1-; 2WR1-880; 2WR884-886; 4ER1-626; 4XM1-; 5ZM1-303 | | | | | | | |
| 9T2393 | | | P-UB-10 | 1-1/2 | 2-1/4 | CTC-2465916 | 73.96 |
| WHEEL LEAN | | | | | | | |
| 9T2520 | | | P-UB-10 | 1-1/2 | 3-1/2 | CTC-1327058 | 142.49 |
| 1251-; 2GS1-; 2LR1-2WR1-; 4ER1-; 4XM1-; 5ZM1-303; 8MN1-; AMZ1-; CBK1-; XZJ1- | | | | | | | |
| 1219242 | | | P-UB-10 | 2 | 3-1/2 | CTC-3769011 | 89.39 |
| MODEL 12M | | | | | | | |
| ARTICULATION | | | | | | | |
| B921-; F9B1-; F9M1-; R9P1-; R9S1- | | | | | | | |
| 2470096 | | | P-UB-10 | 1-7/8 | 3-1/4 | CTC-2465926 | 60.62 |
| B9F1-13; B9R1-23 | | | | | | | |
| 2627758 | | | P-UB-10 | 1-3/4 | 3 | CTC-2275350 | 45.88 |

REPLACEMENT KITS FOR CATERPILLAR® EQUIPMENT

| Motor Graders | | | | | | | |
|-----------------------|--|--------------------------------|---------|-------|--------|-------------|--------|
| APPLICATION | CYL # | Misc-Parts, Instructions, etc. | CODE | ROD | BORE | KIT # | |
| MODEL 12M | | | | | | | |
| ARTICULATION | | | | | | | |
| | B9F14-; B9R24- | | | | | | |
| | 3163308 | | P-UB-10 | 1-3/4 | 3 | CTC-3769017 | 53.54 |
| | R9B1- | | | | | | |
| | 3163308 | | P-UB-10 | 1-3/4 | 3 | CTC-3233312 | 53.54 |
| BLADE | | | | | | | |
| | B9F1-; B921- | | | | | | |
| | 3149338 | | P-UB-10 | 1-3/4 | 3-1/2 | CTC-3260503 | 219.76 |
| BLADE LIFT | | | | | | | |
| | B921-; F9B1-; F9M1-; R9P1-; R9S1- | | | | | | |
| | 3351974 | | P-UB-10 | 2 | 3 | CTC-2384462 | 61.50 |
| | B9F1-; B9R1-; R9B1- | | | | | | |
| | 2707534 | | P-UB-10 | 2 | 3 | CTC-2384462 | 61.50 |
| BLADE TIP | | | | | | | |
| | B9F1-; B9R1-; B921-; F9B1-; F9M1-; R9B1-; R9P1-; R9S1- | | | | | | |
| | 1317191 | | P-UB-10 | 1-1/2 | 2-3/4 | CTC-2339204 | 85.83 |
| CENTER SHIFT | | | | | | | |
| | B921-; F9B1-; F9M1-; R9P1-; R9S1- | | | | | | |
| | 2621907 | | P-UB-10 | 2 | 3 | CTC-2384462 | 61.50 |
| | B9F1-; B9R1-; R9B1- | | | | | | |
| | 2621908 | | P-UB-10 | 2 | 3 | CTC-2384462 | 61.50 |
| LIFT | | | | | | | |
| | B9F1-; B9R1-; R9B1- | | | | | | |
| | 3351973 | | P-UB-10 | 2 | 3 | CTC-2384462 | 61.50 |
| RIPPER | | | | | | | |
| | B9F1-; B921- | | | | | | |
| | 1137754 | | P-UB-10 | 2 | 4 | CTC-2339205 | 59.01 |
| | B9F1-; B921-; F9B1-; F9M1-; R9P1-; R9S1- | | | | | | |
| | 3262227 | | P-UB-10 | 50 mm | 110 mm | CTC-4173698 | 127.05 |
| | B9R1-; R9B1- | | | | | | |
| | 1137754 | | P-UB-10 | 2 | 4 | CTC-1857688 | 95.52 |
| SCARIFIER | | | | | | | |
| | B9F1-; B9R1-; B921-; F9B1-; F9M1-; R9B1-; R9P1-; R9S1- | | | | | | |
| | 1652510 | | P-UB-10 | 1-3/4 | 3 | CTC-3769017 | 53.54 |
| SIDESHIFT | | | | | | | |
| | B9F1-; B9R1-; B921-; F9B1-; F9M1-; R9B1-; R9P1-; R9S1- | | | | | | |
| | 2494116 | | P-UB-10 | 1-3/4 | 3 | CTC-3769017 | 53.54 |
| STEERING | | | | | | | |
| | B92249-UP | | | | | | |
| | 3896062 | | P-UB-10 | 2 | 3 | CTC-3076273 | 51.07 |
| | B9F1-; B9R1-; B921-; F9M1-; R9B1-; R9S1- | | | | | | |
| | 2558715 | | P-UB-10 | 2 | 3 | CTC-3076273 | 51.07 |
| | F9B1-; R9P1- | | | | | | |
| | 2625766 | | P-UB-10 | 2 | 3 | CTC-3076273 | 51.07 |
| WHEEL LEAN | | | | | | | |
| | B9F1-; B9R1-; B921-; F9B1-; F9M1-; R9B1-; R9P1-; R9S1- | | | | | | |
| | 2495299 | | P-UB-10 | 2 | 3-1/2 | CTC-3769011 | 89.39 |
| WORK TOOL LIFT | | | | | | | |
| | B9F1-; B9R1-; B921-; F9B1-; F9M1-; R9B1-; R9S1- | | | | | | |
| | 2173501 | | P-UB-10 | 1-3/4 | 3-1/2 | CTC-2401881 | 98.74 |
| MODEL 12M2 | | | | | | | |
| ARTICULATION | | | | | | | |
| | F9B1-UP; F9M1-UP; R9P1-UP; R9S1-UP | | | | | | |
| | 2470096 | | P-UB-10 | 1-7/8 | 3-1/4 | CTC-2465926 | 60.62 |

REPLACEMENT KITS FOR CATERPILLAR® EQUIPMENT

| Motor Graders | | | | | | | |
|-----------------------|------------------------------------|--------------------------------|-----------|-------|--------------|-------------|--------|
| APPLICATION | CYL # | Misc-Parts, Instructions, etc. | CODE | ROD | BORE | KIT # | |
| MODEL 12M2 | | | | | | | |
| BLADE LIFT | | | | | | | |
| | F9B1-UP; F9M1-UP; R9P1-UP; R9S1-UP | | | | | | |
| | 3351974 | | P-UB-10 | 2 | 3 | CTC-2384462 | 61.50 |
| BLADE TIP | | | | | | | |
| | F9B1-UP; F9M1-UP; R9P1-UP; R9S1-UP | | | | | | |
| | 1317191 | | P-UB-10 | 1-1/2 | 2-3/4 | CTC-2339204 | 85.83 |
| BULLDOZER | | | | | | | |
| | F9B1-UP; F9M1-UP | | | | | | |
| | 3149338 | | P-UB-10 | 1-3/4 | 3-1/2 | CTC-3260503 | 219.76 |
| CENTERSHIFT | | | | | | | |
| | F9B1-UP; F9M1-UP; R9P1-UP; R9S1-UP | | | | | | |
| | 2621907 | | P-UB-10 | 2 | 3 | CTC-2384462 | 61.50 |
| LINK | | | | | | | |
| | R9P1-UP; R9S1-UP | | | | | | |
| | 2773811 | | P-UB-10 | 1-3/4 | 3-1/2 | CTC-2401881 | 98.74 |
| MAST | | | | | | | |
| | R9P1-UP; R9S1-UP | | | | | | |
| | 2558000 | | GK-I-U-12 | 2, 3 | 2-1/2, 3-1/2 | CTC-2599096 | 264.49 |
| RIPPER | | | | | | | |
| | F9B1-UP; F9M1-UP; R9P1-UP; R9S1-UP | | | | | | |
| | 3262227 | | P-UB-10 | 50 mm | 110 mm | CTC-4173698 | 127.05 |
| SCARIFIER | | | | | | | |
| | F9B1-UP; F9M1-UP; R9P1-UP; R9S1-UP | | | | | | |
| | 1652510 | | P-UB-10 | 1-3/4 | 3 | CTC-3769017 | 53.54 |
| SIDESHIFT | | | | | | | |
| | F9B1-UP; F9M1-UP; R9P1-UP; R9S1-UP | | | | | | |
| | 2494116 | | P-UB-10 | 1-3/4 | 3 | CTC-3769017 | 53.54 |
| STEERING | | | | | | | |
| | F9B185-UP | | | | | | |
| | 3844547 | | P-UB-10 | 2 | 3 | CTC-3076273 | 51.07 |
| | F9B1-UP; R9P1-UP | | | | | | |
| | 2625766 | | P-UB-10 | 2 | 3 | CTC-3076273 | 51.07 |
| | F9M1-UP; R9S1-UP | | | | | | |
| | 2558715 | | P-UB-10 | 2 | 3 | CTC-3076273 | 51.07 |
| | F9M410-UP; R9S1-UP | | | | | | |
| | 3896062 | | P-UB-10 | 2 | 3 | CTC-3076273 | 51.07 |
| WHEEL LEAN | | | | | | | |
| | F9B1-UP; F9M1-UP; R9P1-UP; R9S1-UP | | | | | | |
| | 2495299 | | P-UB-10 | 2 | 3-1/2 | CTC-3769011 | 89.39 |
| WORK TOOL LIFT | | | | | | | |
| | F9B1-UP; F9M1-UP; R9P1-UP; R9S1-UP | | | | | | |
| | 2173501 | | P-UB-10 | 1-3/4 | 3-1/2 | CTC-2401881 | 98.74 |
| MODEL 12M3 | | | | | | | |
| ARTICULATION | | | | | | | |
| | N9B1-UP; N9F1-UP; N9P1-UP; N9R1-UP | | | | | | |
| | 2470096 | | P-UB-10 | 1-7/8 | 3-1/4 | CTC-2465926 | 60.62 |
| BLADE | | | | | | | |
| | N9B1-UP; N9F1-UP | | | | | | |
| | 3149338 | | P-UB-10 | 1-3/4 | 3-1/2 | CTC-3260503 | 219.76 |
| BLADE LIFT | | | | | | | |
| | N9B1-UP; N9F1-UP; N9P1-UP; N9R1-UP | | | | | | |
| | 3351974 | | P-UB-10 | 2 | 3 | CTC-2384462 | 61.50 |
| BLADE TIP | | | | | | | |
| | N9B1-UP; N9F1-UP; N9P1-UP; N9R1-UP | | | | | | |
| | 1317191 | | P-UB-10 | 1-1/2 | 2-3/4 | CTC-2339204 | 85.83 |

REPLACEMENT KITS FOR CATERPILLAR® EQUIPMENT

| Motor Graders | | | | | | | |
|---------------------------|------------------------------------|--------------------------------|---------|-------|--------|--------------|--------|
| APPLICATION | CYL # | Misc-Parts, Instructions, etc. | CODE | ROD | BORE | KIT # | |
| MODEL 12M3 | | | | | | | |
| CENTERSHIFT | | | | | | | |
| | N9B1-UP; N9F1-UP; N9P1-UP; N9R1-UP | | | | | | |
| | 2621907 | | P-UB-10 | 2 | 3 | CTC-2384462 | 61.50 |
| RIPPER | | | | | | | |
| | N9B1-UP; N9F1-UP; N9P1-UP; N9R1-UP | | | | | | |
| | 3262227 | | P-UB-10 | 50 mm | 110 mm | CTC-4173698 | 127.05 |
| SCARIFIER | | | | | | | |
| | N9B1-UP; N9F1-UP; N9P1-UP; N9R1-UP | | | | | | |
| | 1652510 | | P-UB-10 | 1-3/4 | 3 | CTC-3769017 | 53.54 |
| SIDESHIFT | | | | | | | |
| | N9B1-UP; N9F1-UP; N9P1-UP; N9R1-UP | | | | | | |
| | 2494116 | | P-UB-10 | 1-3/4 | 3 | CTC-3769017 | 53.54 |
| | N9P1-UP; N9R1-UP | | | | | | |
| | 5096993 | | P-UB-10 | 1-3/4 | 3 | CTC-SK100214 | 95.75 |
| STEERING | | | | | | | |
| | N9B1-UP; N9P1-UP | | | | | | |
| | 3844547 | | P-UB-10 | 2 | 3 | CTC-4710161 | 120.68 |
| | N9P1-UP; N9R1-UP | | | | | | |
| | 3896062 | | P-UB-10 | 2 | 3 | CTC-4710161 | 120.68 |
| WHEEL LEAN | | | | | | | |
| | N9B1-UP; N9F1-UP; N9P1-UP; N9R1-UP | | | | | | |
| | 2495299 | | P-UB-10 | 2 | 3-1/2 | CTC-3769011 | 89.39 |
| WORK TOOL LIFT | | | | | | | |
| | N9B1-UP; N9F1-UP | | | | | | |
| | 2173501 | | P-UB-10 | 1-3/4 | 3-1/2 | CTC-2401881 | 98.74 |
| WORK TOOL SNOW WING | | | | | | | |
| | N9P1-UP; N9R1-UP | | | | | | |
| | 2773836 | | P-UB-10 | 1-3/4 | 3 | CTC-2402016 | 56.96 |
| MODEL 14G | | | | | | | |
| ARTICULATION | | | | | | | |
| | 1U2704 | | P-UB-10 | 2 | 3-1/2 | CTC-7X2792 | 120.39 |
| | 6E2446 | | P-UB-10 | 2 | 3-1/2 | CTC-7X2783 | 141.24 |
| | 6E4724 | | P-UB-10 | 2 | 3-1/2 | CTC-7X2783 | 141.24 |
| | 9T2879 | | P-UB-10 | 2 | 3-1/2 | CTC-7X2783 | 141.24 |
| BACKHOE STICK/BLADE SHIFT | | | | | | | |
| | 8J6359 | | P-UB-10 | 2-1/4 | 3-3/4 | CTC-7X2798 | 104.11 |
| BLADE | | | | | | | |
| | 8J6010 | | P-UB-10 | 2-1/4 | 3-3/4 | CTC-7X2798 | 104.11 |
| BLADE LIFT | | | | | | | |
| | 3G5227 | | P-UB-10 | 2-1/4 | 3-3/4 | CTC-7X2798 | 104.11 |
| BLADE TIP | | | | | | | |
| | 9T3198 | | P-UB-10 | 2 | 4 | CTC-1328816 | 127.22 |
| | 9T8944 | | P-UB-10 | 2 | 4 | CTC-1328816 | 127.22 |
| CENTER SHIFT | | | | | | | |
| | 3G5228 | | P-UB-10 | 2-1/4 | 3-3/4 | CTC-7X2798 | 104.11 |
| CONVEYOR SWING | | | | | | | |
| | 3G5228 | | P-UB-10 | 2-1/4 | 3-3/4 | CTC-7X2798 | 104.11 |
| | 8J6250 | | P-UB-10 | 2-1/4 | 3-3/4 | CTC-7X2798 | 104.11 |
| DRAWBAR TIP | | | | | | | |
| | 8J6256 | | P-UB-10 | 1-3/4 | 3 | CTC-7X2791 | 121.52 |
| LIFT RH | | | | | | | |
| | 6J5843 | | P-UB-10 | 2-1/2 | 5 | CTC-7X2675 | 170.44 |
| RIPPER | | | | | | | |
| | 1135264 | | P-UB-10 | 2-1/2 | 5 | CTC-1361967 | 251.91 |
| | 3G1762 | | P-UB-10 | 2-1/2 | 5 | CTC-1315106 | 199.56 |
| | 3G5189 | | P-UB-10 | 2-1/2 | 5 | CTC-7X2658 | 230.88 |

REPLACEMENT KITS FOR CATERPILLAR® EQUIPMENT

| Motor Graders | | | | | | | |
|------------------|----------------|-------------------------------------|---------|-------|-------|-------------|--------|
| APPLICATION | CYL # | Misc-Parts, Instructions, etc. | CODE | ROD | BORE | KIT # | |
| MODEL 14G | | | | | | | |
| SIDESHIFT | | | | | | | |
| | 4T0340 | | P-UB-10 | 2-1/2 | 4 | CTC-7X2665 | 203.29 |
| | 9T3206 | | P-UB-10 | 2-1/2 | 4 | CTC-1542501 | 196.93 |
| STEERING LH | | | | | | | |
| | 3G7644 | | P-UB-10 | 1-1/2 | 2-3/4 | CTC-7X2749 | 81.02 |
| | 9J0541 | | P-UB-10 | 1-1/2 | 2-3/4 | CTC-7X2749 | 81.02 |
| | 9T1721 | | P-UB-10 | 1-3/4 | 2-1/2 | CTC-1539054 | 155.22 |
| STEERING RH | | | | | | | |
| | 3G7643 | | P-UB-10 | 1-1/2 | 2-3/4 | CTC-7X2749 | 81.02 |
| | 8J5386 | | P-UB-10 | 1-1/2 | 2-3/4 | CTC-7X2749 | 81.02 |
| | 9T1301 | | P-UB-10 | 1-3/4 | 2-1/2 | CTC-1539054 | 155.22 |
| TIP | | | | | | | |
| | 4T0379 | | P-UB-10 | 2 | 4 | CTC-1328816 | 127.22 |
| WHEEL LEAN | | | | | | | |
| | 1219243 | | P-UB-10 | 2 | 3-1/2 | CTC-7X2783 | 141.24 |
| | 3G4751 | | P-UB-10 | 1-1/2 | 3-1/2 | CTC-7X2752 | 130.85 |
| | 8J5385 | | P-UB-10 | 1-1/2 | 3-1/2 | CTC-7X2752 | 130.85 |
| | 9T3219 | | P-UB-10 | 1-1/2 | 3-1/2 | CTC-1327058 | 142.49 |
| MODEL 14H | | | | | | | |
| ARTICULATION | | | | | | | |
| | 6E2446 | | P-UB-10 | 2 | 3-1/2 | CTC-7X2783 | 141.24 |
| | 9T2879 | | P-UB-10 | 2 | 3-1/2 | CTC-7X2783 | 141.24 |
| | 7WJ1- | | | | | | |
| | 6E4724 | | P-UB-10 | 2 | 3-1/2 | CTC-3769011 | 89.39 |
| | ASE1- | | | | | | |
| | 1846804 | | P-UB-10 | 2 | 3-1/2 | CTC-3769011 | 89.39 |
| BLADE LIFT | | | | | | | |
| | 7WJ1- | | | | | | |
| | 9T2703 | | P-UB-10 | 2-1/4 | 3-1/2 | CTC-2350355 | 220.01 |
| | 7WJ1-; ASE1- | | | | | | |
| | 1752603 | | P-UB-10 | 2-1/4 | 3-1/2 | CTC-2350355 | 220.01 |
| BLADE TIP | | | | | | | |
| | 9T3198 | | P-UB-10 | 2 | 4 | CTC-1328816 | 127.22 |
| | 7WJ1-; ASE1- | | | | | | |
| | 9T8944 | | P-UB-10 | 2 | 4 | CTC-2339205 | 59.01 |
| CENTER SHIFT | | | | | | | |
| | 7WJ1-985 | | | | | | |
| | 9T2696 | | P-UB-10 | 2-1/4 | 3-1/2 | CTC-2350355 | 220.01 |
| | 7WJ986- | | | | | | |
| | 1574679 | | P-UB-10 | 2-1/4 | 3-1/2 | CTC-2350355 | 220.01 |
| | 7WJ986-; ASE1- | | | | | | |
| | 2095773 | | P-UB-10 | 2-1/4 | 3-1/2 | CTC-2350355 | 220.01 |
| RIPPER | | | | | | | |
| | 7WJ1-; ASE1- | | | | | | |
| | 1135264 | 0.98 wide rod bearing | P-UB-10 | 2-1/2 | 5 | CTC-2275347 | 128.71 |
| | 1135264 | 1.24" wide rod bearing | P-UB-10 | 2-1/2 | 5 | CTC-2430384 | 111.22 |
| SIDESHIFT | | | | | | | |
| | 7WJ1-; ASE1- | | | | | | |
| | 9T3206 | 0.98 wide rod bearing | P-UB-10 | 2-1/2 | 4 | CTC-2341949 | 67.52 |
| | 9T3206 | 1.24" wide rod bearing | P-UB-10 | 2-1/2 | 4 | CTC-2422548 | 79.07 |
| STEERING LH | | | | | | | |
| | 7WJ1- | | | | | | |
| | 9T1301 | Cyl Type 1, Head 6E4941 | P-UB-10 | 1-3/4 | 2-1/2 | CTC-2402484 | 151.78 |
| | 9T1301 | Cyl Type 2, Head 1515349 or 3831592 | P-UB-10 | 1-3/4 | 2-1/2 | CTC-2405500 | 79.10 |
| | 9T1721 | Cyl Type 1, Head 6E4941 | P-UB-10 | 1-3/4 | 2-1/2 | CTC-2402484 | 151.78 |
| | 9T1721 | Cyl Type 2, Head 1515349 or 3831592 | P-UB-10 | 1-3/4 | 2-1/2 | CTC-2405500 | 79.10 |

CATERPILLAR®

REPLACEMENT KITS FOR CATERPILLAR® EQUIPMENT

| Motor Graders | | | | | | | |
|------------------|---------------------|--------------------------------|---------|-------|-------|-------------|--------|
| APPLICATION | CYL # | Misc-Parts, Instructions, etc. | CODE | ROD | BORE | KIT # | |
| MODEL 14H | | | | | | | |
| STEERING LH | | | | | | | |
| | 7WJ1-; ASE1- | | | | | | |
| | 1652496 | | P-UB-10 | 1-3/4 | 2-1/2 | CTC-2405500 | 79.10 |
| STEERING RH | | | | | | | |
| | 9T1301 | | P-UB-10 | 1-3/4 | 2-1/2 | CTC-1539054 | 155.22 |
| | 7WJ1-; ASE1- | | | | | | |
| | 1652495 | | P-UB-10 | 1-3/4 | 2-1/2 | CTC-2405500 | 79.10 |
| WHEEL LEAN | | | | | | | |
| | 9T3219 | | P-UB-10 | 1-1/2 | 3-1/2 | CTC-1327058 | 142.49 |
| | 7WJ1-; ASE1- | | | | | | |
| | 1219243 | | P-UB-10 | 2 | 3-1/2 | CTC-3769011 | 89.39 |
| MODEL 14M | | | | | | | |
| ARTICULATION | | | | | | | |
| | B9J1-1450; R9J1- | | | | | | |
| | 3039598 | | P-UB-10 | 55 mm | 95 mm | CTC-3176058 | 152.33 |
| BLADE LIFT | | | | | | | |
| | B9J1-1450; R9J1-250 | | | | | | |
| | 2707536 | | P-UB-10 | 2-1/4 | 3-1/2 | CTC-2350355 | 220.01 |
| | R9J251- | | | | | | |
| | 3657414 | | P-UB-10 | 2-1/4 | 3-1/2 | CTC-2350355 | 220.01 |
| BLADE TIP | | | | | | | |
| | B9J1-1450; R9J1- | | | | | | |
| | 9T8944 | | P-UB-10 | 2 | 4 | CTC-2339205 | 59.01 |
| CENTER SHIFT | | | | | | | |
| | B9J1-1450; R9J1- | | | | | | |
| | 2621906 | | P-UB-10 | 2-1/4 | 3-1/2 | CTC-2350355 | 220.01 |
| RIPPER | | | | | | | |
| | B9J1-1450; R9J1- | | | | | | |
| | 1135264 | 0.98 wide rod bearing | P-UB-10 | 2-1/2 | 5 | CTC-2275347 | 128.71 |
| | 1135264 | 1.24" wide rod bearing | P-UB-10 | 2-1/2 | 5 | CTC-2430384 | 111.22 |
| SIDESHIFT | | | | | | | |
| | B9J1-1450; R9J1- | | | | | | |
| | 2575083 | | P-UB-10 | 2-1/2 | 4 | CTC-2341949 | 67.52 |
| STEERING LH | | | | | | | |
| | B9J1-1450; R9J1- | | | | | | |
| | 2765682 | | P-UB-10 | 2 | 3 | CTC-3655556 | 46.85 |
| STEERING RH | | | | | | | |
| | B9J1-1450; R9J1- | | | | | | |
| | 2765681 | | P-UB-10 | 2 | 3 | CTC-3655556 | 46.85 |
| WHEEL LEAN | | | | | | | |
| | B9J1-1450; R9J1- | | | | | | |
| | 2495299 | | P-UB-10 | 2 | 3-1/2 | CTC-3769011 | 89.39 |
| MODEL 16G | | | | | | | |
| ARTICULATION | | | | | | | |
| | 1U1649 | | P-UB-10 | 2-1/2 | 4 | CTC-7X2665 | 203.29 |
| | 9T3050 | | P-UB-10 | 2-1/2 | 4 | CTC-1542501 | 196.93 |
| BLADE | | | | | | | |
| | 9T3106 | | P-UB-10 | 2-1/2 | 4 | CTC-1542501 | 196.93 |
| BLADE LIFT | | | | | | | |
| | 3G5229 | | P-UB-10 | 2-1/2 | 4-1/4 | CTC-7X2663 | 67.75 |
| | 8J5568 | | P-UB-10 | 2-1/2 | 4-1/4 | CTC-7X2663 | 67.75 |
| BLADE TIP | | | | | | | |
| | 6J9731 | | P-UB-10 | 1-1/2 | 4 | CTC-7X2738 | 119.97 |
| | 6J9732 | | P-UB-10 | 1-1/2 | 4 | CTC-7X2738 | 119.97 |
| | 9T3198 | | P-UB-10 | 2 | 4 | CTC-1328816 | 127.22 |
| | 9T8944 | | P-UB-10 | 2 | 4 | CTC-1328816 | 127.22 |

REPLACEMENT KITS FOR CATERPILLAR® EQUIPMENT

| Motor Graders | | | | | | | |
|------------------|--------------|--------------------------------|---------|-------|-------|-------------|--------|
| APPLICATION | CYL # | Misc-Parts, Instructions, etc. | CODE | ROD | BORE | KIT # | |
| MODEL 16G | | | | | | | |
| CENTER SHIFT | | | | | | | |
| | 3G5230 | | P-UB-10 | 2-1/2 | 4-1/4 | CTC-7X2663 | 67.75 |
| CONVEYOR SWING | | | | | | | |
| | 9T3312 | | P-UB-10 | 2-1/2 | 4 | CTC-1542501 | 196.93 |
| DRAWBAR TIP | | | | | | | |
| | 8J3761 | | P-UB-10 | 1-3/4 | 3 | CTC-7X2791 | 121.52 |
| LIFT | | | | | | | |
| | 8J5827 | | P-UB-10 | 2-1/2 | 4-1/4 | CTC-7X2663 | 67.75 |
| LIFT LH | | | | | | | |
| | 6J5844 | | P-UB-10 | 2-1/2 | 5 | CTC-7X2675 | 170.44 |
| LIFT RH | | | | | | | |
| | 6J5843 | | P-UB-10 | 2-1/2 | 5 | CTC-7X2675 | 170.44 |
| RIPPER | | | | | | | |
| | 1135264 | | P-UB-10 | 2-1/2 | 5 | CTC-1361967 | 251.91 |
| | 3G1762 | | P-UB-10 | 2-1/2 | 5 | CTC-1315106 | 199.56 |
| | 3G5189 | | P-UB-10 | 2-1/2 | 5 | CTC-7X2658 | 230.88 |
| SIDESHIFT | | | | | | | |
| | 4T0340 | | P-UB-10 | 2-1/2 | 4 | CTC-7X2665 | 203.29 |
| | 9T3206 | | P-UB-10 | 2-1/2 | 4 | CTC-1542501 | 196.93 |
| STEERING | | | | | | | |
| | 1U2704 | | P-UB-10 | 2 | 3-1/2 | CTC-7X2792 | 120.39 |
| STEERING LH | | | | | | | |
| | 3G7599 | | P-UB-10 | 1-3/4 | 3 | CTC-7X2791 | 121.52 |
| | 8J3612 | | P-UB-10 | 1-3/4 | 3 | CTC-7X2791 | 121.52 |
| | 9T2854 | | P-UB-10 | 1-3/4 | 2-3/4 | CTC-1539053 | 190.69 |
| STEERING RH | | | | | | | |
| | 3G7600 | | P-UB-10 | 1-3/4 | 3 | CTC-7X2791 | 121.52 |
| | 8J8411 | | P-UB-10 | 1-3/4 | 3 | CTC-7X2791 | 121.52 |
| | 9T2853 | | P-UB-10 | 1-3/4 | 2-3/4 | CTC-1539053 | 190.69 |
| | 9T2853 | | P-UB-10 | 1-3/4 | 2-3/4 | CTC-7X2820 | 108.52 |
| TIP | | | | | | | |
| | 4T0379 | | P-UB-10 | 2 | 4 | CTC-1328816 | 127.22 |
| WHEEL LEAN | | | | | | | |
| | 1219244 | | P-UB-10 | 2-1/4 | 4 | CTC-1361171 | 139.03 |
| | 3G4750 | | P-UB-10 | 1-3/4 | 4 | CTC-7X2790 | 127.50 |
| | 8J3613 | | P-UB-10 | 1-3/4 | 4 | CTC-1316108 | 149.01 |
| | 9T3492 | | P-UB-10 | 1-3/4 | 4 | CTC-1316108 | 149.01 |
| MODEL 16H | | | | | | | |
| ARTICULATION | | | | | | | |
| | 6ZJ1-; ATS1- | | | | | | |
| | 9T3050 | Head 1213397 or 1729981 | P-UB-10 | 2-1/2 | 4 | CTC-2341949 | 67.52 |
| | 9T3050 | Head 6E4978 | P-UB-10 | 2-1/2 | 4 | CTC-2422548 | 79.07 |
| BLADE LIFT | | | | | | | |
| | 6ZJ1-; ATS1- | | | | | | |
| | 9T3106 | Head 1213397 | P-UB-10 | 2-1/2 | 4 | CTC-2341949 | 67.52 |
| | 9T3106 | Head 6E4978 | P-UB-10 | 2-1/2 | 4 | CTC-2422548 | 79.07 |
| BLADE TIP | | | | | | | |
| | 9T3198 | | P-UB-10 | 2 | 4 | CTC-1328816 | 127.22 |
| | 6ZJ1-; ATS1- | | | | | | |
| | 9T8944 | | P-UB-10 | 2 | 4 | CTC-2339205 | 59.01 |
| CENTER SHIFT | | | | | | | |
| | 6ZJ1-; ATS1- | | | | | | |
| | 9T3312 | Head 1213397 | P-UB-10 | 2-1/2 | 4 | CTC-2341949 | 67.52 |
| | 9T3312 | Head 6E4978 | P-UB-10 | 2-1/2 | 4 | CTC-2422548 | 79.07 |
| CONVEYOR SWING | | | | | | | |
| | 9T3312 | | P-UB-10 | 2-1/2 | 4 | CTC-1542501 | 196.93 |

CATERPILLAR®

REPLACEMENT KITS FOR CATERPILLAR® EQUIPMENT

| Motor Graders | | | | | | | |
|---------------------|-------|-------------------------------------|---------|-------|-------|-------------|--------|
| APPLICATION | CYL # | Misc-Parts, Instructions, etc. | CODE | ROD | BORE | KIT # | |
| MODEL 16H | | | | | | | |
| RIPPER | | | | | | | |
| 6ZJ1-; ATS1- | | | | | | | |
| 1135264 | | Head 1213395, 0.98 wide rod bearing | P-UB-10 | 2-1/2 | 5 | CTC-2275347 | 128.71 |
| 1135264 | | 1.24" wide rod bearing | P-UB-10 | 2-1/2 | 5 | CTC-2430384 | 111.22 |
| SIDESHIFT | | | | | | | |
| 6ZJ1-; ATS1- | | | | | | | |
| 9T3206 | | Head 1213397 or 1729981 | P-UB-10 | 2-1/2 | 4 | CTC-2341949 | 67.52 |
| 9T3206 | | Head 6E4978 | P-UB-10 | 2-1/2 | 4 | CTC-2422548 | 79.07 |
| STEERING LH | | | | | | | |
| 6ZJ1- | | | | | | | |
| 9T2854 | | | P-UB-10 | 1-3/4 | 2-3/4 | CTC-2342595 | 190.69 |
| 6ZJ1-; ATS1- | | | | | | | |
| 1652507 | | | P-UB-10 | 1-3/4 | 2-3/4 | CTC-1857035 | 153.73 |
| STEERING RH | | | | | | | |
| 6ZJ1- | | | | | | | |
| 9T2853 | | | P-UB-10 | 1-3/4 | 2-3/4 | CTC-2342595 | 190.69 |
| 6ZJ1-; ATS1- | | | | | | | |
| 1652506 | | | P-UB-10 | 1-3/4 | 2-3/4 | CTC-1857035 | 153.73 |
| WHEEL LEAN | | | | | | | |
| 1219244 | | | P-UB-10 | 2-1/4 | 4 | CTC-1361171 | 139.03 |
| 9T3492 | | | P-UB-10 | 1-3/4 | 4 | CTC-1316108 | 149.01 |
| 6ZJ1-; ATS1- | | | | | | | |
| 1219244 | | | P-UB-10 | 2-1/4 | 4 | CTC-4252108 | 123.61 |
| MODEL 16M | | | | | | | |
| ARTICULATION | | | | | | | |
| B9H1-722; R9H1- | | | | | | | |
| 2908074 | | | P-UB-10 | 2-1/2 | 4 | CTC-2341949 | 67.52 |
| R9H1- | | | | | | | |
| 3786610 | | | P-UB-10 | 2-1/2 | 4 | CTC-2341949 | 67.52 |
| BLADE LIFT | | | | | | | |
| B9H1-; R9H1-222 | | | | | | | |
| 2707538 | | | P-UB-10 | 2-1/2 | 4 | CTC-2341949 | 67.52 |
| R9H223- | | | | | | | |
| 3657416 | | | P-UB-10 | 2-1/2 | 4 | CTC-2341949 | 67.52 |
| BLADE TIP | | | | | | | |
| B9H1-; R9H1- | | | | | | | |
| 9T8944 | | | P-UB-10 | 2 | 4 | CTC-2339205 | 59.01 |
| CENTER SHIFT | | | | | | | |
| B9H1-; R9H1- | | | | | | | |
| 2621905 | | | P-UB-10 | 2-1/2 | 4 | CTC-2341949 | 67.52 |
| RIPPER | | | | | | | |
| B9H1-; R9H1- | | | | | | | |
| 1135264 | | 0.98 wide rod bearing | P-UB-10 | 2-1/2 | 5 | CTC-2275347 | 128.71 |
| 1135264 | | 1.24" wide rod bearing | P-UB-10 | 2-1/2 | 5 | CTC-2430384 | 111.22 |
| SIDESHIFT | | | | | | | |
| B9H1-; R9H1- | | | | | | | |
| 2575083 | | | P-UB-10 | 2-1/2 | 4 | CTC-2341949 | 67.52 |
| STEERING | | | | | | | |
| B9H1-; R9H1- | | | | | | | |
| 2673863 | | | P-UB-10 | 2 | 3 | CTC-3076273 | 51.07 |
| WHEEL LEAN | | | | | | | |
| B9H1-; R9H1- | | | | | | | |
| 2893054 | | | P-UB-10 | 2-1/4 | 4 | CTC-4252108 | 123.61 |

REPLACEMENT KITS FOR CATERPILLAR® EQUIPMENT

| Motor Graders | | | | | | | |
|---------------------------|---------|--------------------------------|---------|-------|-------|-------------|--------|
| APPLICATION | CYL # | Misc-Parts, Instructions, etc. | CODE | ROD | BORE | KIT # | |
| MODEL 24H | | | | | | | |
| ARTICULATION | | | | | | | |
| | 1170837 | | P-UB-10 | 3 | 4-3/4 | CTC-1570288 | 223.98 |
| | 1433033 | | P-UB-10 | 3 | 5 | CTC-1605784 | 99.37 |
| BLADE | | | | | | | |
| | 1170830 | | P-UB-10 | 2-1/4 | 4 | CTC-1361171 | 139.03 |
| | 1170832 | | P-UB-10 | 3 | 5-1/4 | CTC-3E3293 | 243.78 |
| RIPPER | | | | | | | |
| | 1137754 | | P-UB-10 | 2 | 4 | CTC-1328816 | 127.22 |
| STEERING | | | | | | | |
| | 1170833 | | I-UB-10 | 2-1/2 | 3-1/2 | CTC-3E3299 | 183.90 |
| TIP | | | | | | | |
| | 1435988 | Rod Bearing width- 0.98" | P-UB-10 | 2-1/2 | 4-3/4 | CTC-1361131 | 196.39 |
| WHEEL LEAN | | | | | | | |
| | 1170836 | Rod Bearing width- 0.98" | P-UB-10 | 2-1/2 | 4-3/4 | CTC-1361131 | 196.39 |
| MODEL 112E | | | | | | | |
| STEERING | | | | | | | |
| | 4J4115 | | P-UB-10 | 1-1/2 | 4 | CTC-7X2738 | 119.97 |
| MODEL 112F | | | | | | | |
| STEERING | | | | | | | |
| | 4J4115 | | P-UB-10 | 1-1/2 | 4 | CTC-7X2738 | 119.97 |
| MODEL 120 | | | | | | | |
| STEERING | | | | | | | |
| | 4J4115 | | P-UB-10 | 1-1/2 | 4 | CTC-7X2738 | 119.97 |
| MODEL 120G | | | | | | | |
| ARTICULATION | | | | | | | |
| | 8J8590 | | P-UB-10 | 1-3/4 | 3 | CTC-7X2791 | 121.52 |
| | 9T2447 | | P-UB-10 | 1-3/4 | 3 | CTC-7X2825 | 73.65 |
| | 9T8785 | | P-UB-10 | 1-3/4 | 3 | CTC-7X2825 | 73.65 |
| BACKHOE STICK/BLADE SHIFT | | | | | | | |
| | 8J0028 | | P-UB-10 | 1-3/4 | 3 | CTC-7X2791 | 121.52 |
| | 9T2483 | | P-UB-10 | 1-3/4 | 3 | CTC-7X2825 | 73.65 |
| BLADE | | | | | | | |
| | 3G5225 | | P-UB-10 | 1-3/4 | 3 | CTC-7X2791 | 121.52 |
| | 8J8589 | | P-UB-10 | 1-3/4 | 3 | CTC-7X2791 | 121.52 |
| | 9T2471 | | P-UB-10 | 1-3/4 | 3 | CTC-7X2825 | 73.65 |
| BLADE LIFT | | | | | | | |
| | 3G5225 | | P-UB-10 | 1-3/4 | 3 | CTC-7X2791 | 121.52 |
| BLADE RH | | | | | | | |
| | 6J5843 | | P-UB-10 | 2-1/2 | 5 | CTC-7X2675 | 170.44 |
| BLADE TIP | | | | | | | |
| | 6E1549 | | P-UB-10 | 1-1/2 | 2-3/4 | CTC-1361599 | 139.86 |
| | 8J0024 | | P-UB-10 | 1-1/2 | 2-3/4 | CTC-7X2749 | 81.02 |
| | 9J3466 | | P-UB-10 | 1-1/2 | 2-3/4 | CTC-7X2749 | 81.02 |
| | 9T2461 | | P-UB-10 | 1-1/2 | 2-3/4 | CTC-1361599 | 139.86 |
| CENTER SHIFT | | | | | | | |
| | 3G5226 | | P-UB-10 | 1-3/4 | 3 | CTC-7X2791 | 121.52 |
| | 8J6367 | | P-UB-10 | 2 | 3-1/4 | CTC-7X2767 | 93.15 |
| | 9T2374 | | P-UB-10 | 1-3/4 | 3 | CTC-7X2825 | 73.65 |
| CONVEYOR SWING | | | | | | | |
| | 3G5226 | | P-UB-10 | 1-3/4 | 3 | CTC-7X2791 | 121.52 |
| | 8J8777 | | P-UB-10 | 1-3/4 | 3 | CTC-7X2791 | 121.52 |
| | 9T2374 | | P-UB-10 | 1-3/4 | 3 | CTC-7X2825 | 73.65 |
| PUMP | | | | | | | |
| | 87V | | | | | | |
| | 8J6730 | | | | | CTC-3G1708 | 221.27 |

CATERPILLAR®

REPLACEMENT KITS FOR CATERPILLAR® EQUIPMENT

| Motor Graders | | | | | | | |
|-----------------------|--|--------------------------------|---------|-------|-------|-------------|--------|
| APPLICATION | CYL # | Misc-Parts, Instructions, etc. | CODE | ROD | BORE | KIT # | |
| MODEL 120G | | | | | | | |
| SCARIFIER | | | | | | | |
| | 3G1853 | | P-UB-10 | 1-3/4 | 3 | CTC-7X2791 | 121.52 |
| | 8J7321 | | P-UB-10 | 1-1/2 | 3 | CTC-7X2751 | 87.84 |
| | 9T2554 | | P-UB-10 | 1-3/4 | 3 | CTC-7X2825 | 73.65 |
| | 9T6951 | | P-UB-10 | 1-3/4 | 3 | CTC-7X2825 | 73.65 |
| SIDESHIFT | | | | | | | |
| | 1052094 | | P-UB-10 | 1-3/4 | 3 | CTC-7X2825 | 73.65 |
| | 8J0028 | | P-UB-10 | 1-3/4 | 3 | CTC-7X2791 | 121.52 |
| | 9T2483 | | P-UB-10 | 1-3/4 | 3 | CTC-7X2825 | 73.65 |
| STEERING LH | | | | | | | |
| | 3G8070 | | P-UB-10 | 1-1/2 | 2-1/2 | CTC-7X2739 | 77.55 |
| | 8J8820 | | P-UB-10 | 1-1/2 | 2-1/2 | CTC-7X2739 | 77.55 |
| | 9T2395 | | P-UB-10 | 1-1/2 | 2-1/4 | CTC-7X2826 | 55.89 |
| STEERING RH | | | | | | | |
| | 3G8069 | | P-UB-10 | 1-1/2 | 2-1/2 | CTC-7X2739 | 77.55 |
| | 8J5538 | | P-UB-10 | 1-1/2 | 2-1/2 | CTC-7X2739 | 77.55 |
| | 9T2393 | | P-UB-10 | 1-1/2 | 2-1/4 | CTC-7X2826 | 55.89 |
| WHEEL LEAN | | | | | | | |
| | 1219242 | | P-UB-10 | 2 | 3-1/2 | CTC-7X2783 | 141.24 |
| | 3G4752 | | P-UB-10 | 1-1/2 | 3-1/2 | CTC-7X2752 | 130.85 |
| | 8J5539 | | P-UB-10 | 1-1/2 | 3-1/2 | CTC-7X2752 | 130.85 |
| | 9T2520 | | P-UB-10 | 1-1/2 | 3-1/2 | CTC-1327058 | 142.49 |
| MODEL 120H | | | | | | | |
| ARTICULATION | | | | | | | |
| | 6E1554 | | P-UB-10 | 1-3/4 | 3 | CTC-7X2825 | 73.65 |
| | 6E4724 | | P-UB-10 | 2 | 3-1/2 | CTC-7X2783 | 141.24 |
| | 9T8785 | | P-UB-10 | 1-3/4 | 3 | CTC-7X2825 | 73.65 |
| BLADE | | | | | | | |
| | 1125575 | | P-UB-10 | 1-3/4 | 3 | CTC-7X2825 | 73.65 |
| | 1198664 | | P-UB-10 | 2 | 3 | CTC-7X2760 | 96.66 |
| | 1324926 | | P-UB-10 | 2 | 3 | CTC-7X2760 | 96.66 |
| BLADE TIP | | | | | | | |
| | 6E1549 | | P-UB-10 | 1-1/2 | 2-3/4 | CTC-1361599 | 139.86 |
| CONVEYOR SWING | | | | | | | |
| | 6E1754 | | P-UB-10 | 2 | 3 | CTC-7X2760 | 96.66 |
| SCARIFIER | | | | | | | |
| | 9T2554 | | P-UB-10 | 1-3/4 | 3 | CTC-7X2825 | 73.65 |
| | 9T6951 | | P-UB-10 | 1-3/4 | 3 | CTC-7X2825 | 73.65 |
| STEERING LH | | | | | | | |
| | 9T2395 | | P-UB-10 | 1-1/2 | 2-1/4 | CTC-7X2826 | 55.89 |
| STEERING RH | | | | | | | |
| | 9T2393 | | P-UB-10 | 1-1/2 | 2-1/4 | CTC-7X2826 | 55.89 |
| WHEEL LEAN | | | | | | | |
| | 1219242 | | P-UB-10 | 2 | 3-1/2 | CTC-7X2783 | 141.24 |
| | 9T2520 | | P-UB-10 | 1-1/2 | 3-1/2 | CTC-1327058 | 142.49 |
| MODEL 120M | | | | | | | |
| ARTICULATION | | | | | | | |
| | B9C1-UP; B9N148-UP; B9W1-UP; CBS1-UP; D9W1-UP; NJD1-UP; PJB1-UP; R9A1-UP; R9C1-UP; RMY1-UP | | | | | | |
| | 3163308 | | P-UB-10 | 1-3/4 | 3 | CTC-3769017 | 53.54 |
| | B9N1-147 | | | | | | |
| | 2627758 | | P-UB-10 | 1-3/4 | 3 | CTC-2275350 | 45.88 |
| BLADE LIFT | | | | | | | |
| | B9C1000-UP; B9W1-UP; D9W1-UP; R9A1-UP; R9C1-UP | | | | | | |
| | 3351973 | | P-UB-10 | 2 | 3 | CTC-2384462 | 61.50 |
| | B9C1-715; B9N1-UP; B9W1-UP; D9W1-191; R9A1-UP; R9C1-UP | | | | | | |
| | 2707534 | | P-UB-10 | 2 | 3 | CTC-2384462 | 61.50 |

REPLACEMENT KITS FOR CATERPILLAR® EQUIPMENT

| Motor Graders | | | | | | | |
|--|-------|--------------------------------|---------|-------|--------|-------------|--------|
| APPLICATION | CYL # | Misc-Parts, Instructions, etc. | CODE | ROD | BORE | KIT # | |
| MODEL 120M | | | | | | | |
| BLADE LIFT | | | | | | | |
| CBS1-UP; NJD1-UP; PJB1-UP; RMY1-UP | | | | | | | |
| 3261217 | | | P-UB-10 | 2 | 3 | CTC-2384462 | 61.50 |
| BLADE TIP | | | | | | | |
| B9C1-UP; B9N1-UP; B9W1-UP; CBS1-UP; D9W1-UP; NJD1-UP; PJB1-UP; R9A1-UP; R9C1-UP; RMY1-UP | | | | | | | |
| 1317191 | | | P-UB-10 | 1-1/2 | 2-3/4 | CTC-2339204 | 85.83 |
| PJB1-UP | | | | | | | |
| 3470206 | | | P-UB-10 | 1-1/2 | 2-3/4 | CTC-2339204 | 85.83 |
| BULLDOZER | | | | | | | |
| B9C1-UP; B9W209-UP; D9W1-UP; R9A1-UP; R9C1-UP | | | | | | | |
| 3149338 | | | P-UB-10 | 1-3/4 | 3-1/2 | CTC-3260503 | 219.76 |
| CENTERSHIFT | | | | | | | |
| B9C1-UP; B9N1-UP; B9W1-UP; CBS1-UP; D9W1-UP; NJD1-UP; PJB1-UP; R9A1-UP; R9C1-UP; RMY1-UP | | | | | | | |
| 2621908 | | | P-UB-10 | 2 | 3 | CTC-2384462 | 61.50 |
| PJB1-UP | | | | | | | |
| 3470203 | | | P-UB-10 | 2 | 3 | CTC-2384462 | 61.50 |
| RIPPER | | | | | | | |
| B9C1-UP; B9N1-UP; B9W1-UP; D9W1-UP | | | | | | | |
| 6E4724 | | | P-UB-10 | 2 | 3-1/2 | CTC-3769011 | 89.39 |
| B9C1-UP; B9N1-UP; B9W1-UP; D9W1-UP; R9A1-UP; R9C1-UP | | | | | | | |
| 1137754 | | | P-UB-10 | 2 | 4 | CTC-2339205 | 59.01 |
| B9C1-UP; B9W209-UP; D9W1-UP; R9A1-UP; R9C1-UP | | | | | | | |
| 3262227 | | | P-UB-10 | 50 mm | 110 mm | CTC-4173698 | 127.05 |
| SCARIFIER | | | | | | | |
| B9C1-UP; B9N1-UP; B9W1-UP; CBS1-UP; D9W1-UP; NJD1-UP; PJB1-UP; R9A1-UP; R9C1-UP; RMY1-UP | | | | | | | |
| 1652510 | | | P-UB-10 | 1-3/4 | 3 | CTC-3769017 | 53.54 |
| SIDESHIFT | | | | | | | |
| B9C1-UP; B9N1-UP; B9W1-UP; CBS1-UP; D9W1-UP; NJD1-UP; PJB1-UP; R9A1-UP; R9C1-UP; RMY1-UP | | | | | | | |
| 2494116 | | | P-UB-10 | 1-3/4 | 3 | CTC-3769017 | 53.54 |
| STEERING | | | | | | | |
| B9C1233-UP; R9A1-UP | | | | | | | |
| 3896062 | | | P-UB-10 | 2 | 3 | CTC-3076273 | 51.07 |
| B9C1-UP; B9N1-UP; B9W1-UP; D9W1-UP; NJD1-UP; R9C1-UP | | | | | | | |
| 2625766 | | | P-UB-10 | 2 | 3 | CTC-3076273 | 51.07 |
| B9C232-UP; B9N181-UP; R9A1-UP | | | | | | | |
| 2558715 | | | P-UB-10 | 2 | 3 | CTC-3076273 | 51.07 |
| CBS1-UP; PJB1-UP; RMY1-UP | | | | | | | |
| 3382818 | | | P-UB-10 | 2 | 3 | CTC-3076273 | 51.07 |
| WHEEL LEAN | | | | | | | |
| B9C232-UP; B9N181-UP; B9W1-UP; D9W1-UP; NJD1-UP; R9A1-UP; R9C1-UP | | | | | | | |
| 2495299 | | | P-UB-10 | 2 | 3-1/2 | CTC-3769011 | 89.39 |
| CBS1-UP; PJB1-UP; RMY1-UP | | | | | | | |
| 3394488 | | | P-UB-10 | 2 | 3-1/2 | CTC-3769011 | 89.39 |
| WORK TOOL LIFT | | | | | | | |
| B9C1-UP; B9N1-UP; B9W1-UP; D9W1-UP; R9A1-UP; R9C1-UP; RMY1-UP | | | | | | | |
| 2173501 | | | P-UB-10 | 1-3/4 | 3-1/2 | CTC-2401881 | 98.74 |
| MODEL 120M2 | | | | | | | |
| ARTICULATION | | | | | | | |
| M921-UP; M9C1-UP; M9H1-UP; R9N1-UP; R9W1-UP | | | | | | | |
| 3163308 | | | P-UB-10 | 1-3/4 | 3 | CTC-3769017 | 53.54 |
| BLADE LIFT | | | | | | | |
| M921-UP; M9C1-UP; M9H1-UP; R9N1-UP; R9W1-UP | | | | | | | |
| 3351973 | | | P-UB-10 | 2 | 3 | CTC-2384462 | 61.50 |
| BLADE TIP | | | | | | | |
| M921-UP; M9C1-UP; M9H1-UP; R9N1-UP; R9W1-UP | | | | | | | |
| 1317191 | | | P-UB-10 | 1-1/2 | 2-3/4 | CTC-2339204 | 85.83 |

REPLACEMENT KITS FOR CATERPILLAR® EQUIPMENT

| Motor Graders | | | | | | | |
|----------------------------------|---|--------------------------------|---------|-------|--------|-------------|--------|
| APPLICATION | CYL # | Misc-Parts, Instructions, etc. | CODE | ROD | BORE | KIT # | |
| MODEL 120M2 | | | | | | | |
| BULLDOZER | | | | | | | |
| | M9H1-UP | | | | | | |
| | 3149338 | | P-UB-10 | 1-3/4 | 3-1/2 | CTC-3260503 | 219.76 |
| CENTERSHIFT | | | | | | | |
| | M921-UP; M9C1-UP; M9H1-UP; R9N1-UP; R9W1-UP | | | | | | |
| | 2621908 | | P-UB-10 | 2 | 3 | CTC-2384462 | 61.50 |
| LINK | | | | | | | |
| | R9W1-UP | | | | | | |
| | 2773811 | | P-UB-10 | 1-3/4 | 3-1/2 | CTC-2401881 | 98.74 |
| RIPPER | | | | | | | |
| | M9C1-UP; M9H1-UP; R9N1-UP; R9W1-UP | | | | | | |
| | 3262227 | | P-UB-10 | 50 mm | 110 mm | CTC-4173698 | 127.05 |
| SCARIFIER | | | | | | | |
| | M9C1-UP; M9H1-UP; R9N1-UP; R9W1-UP | | | | | | |
| | 1652510 | | P-UB-10 | 1-3/4 | 3 | CTC-3769017 | 53.54 |
| SIDESHIFT | | | | | | | |
| | M921-UP; M9C1-UP; M9H1-UP; R9N1-UP; R9W1-UP | | | | | | |
| | 2494116 | | P-UB-10 | 1-3/4 | 3 | CTC-3769017 | 53.54 |
| STEERING | | | | | | | |
| | M92104-UP; M9C392-UP; R9N1-UP | | | | | | |
| | 3896062 | | P-UB-10 | 2 | 3 | CTC-3076273 | 51.07 |
| | M921-UP; M9C1-UP; R9N1-UP | | | | | | |
| | 2558715 | | P-UB-10 | 2 | 3 | CTC-3076273 | 51.07 |
| | M9H1-UP; R9W1-UP | | | | | | |
| | 2625766 | | P-UB-10 | 2 | 3 | CTC-3076273 | 51.07 |
| | M9H317-UP; R9W1-UP | | | | | | |
| | 3844547 | | P-UB-10 | 2 | 3 | CTC-3076273 | 51.07 |
| WHEEL LEAN | | | | | | | |
| | M921-UP; M9H1-UP; R9N1-UP; R9W1-UP | | | | | | |
| | 2495299 | | P-UB-10 | 2 | 3-1/2 | CTC-3769011 | 89.39 |
| WORK TOOL LIFT | | | | | | | |
| | M9C1-UP; M9H1-UP; R9N1-UP; R9W1-UP | | | | | | |
| | 2173501 | | P-UB-10 | 1-3/4 | 3-1/2 | CTC-2401881 | 98.74 |
| MODEL 130G | | | | | | | |
| ARTICULATION | | | | | | | |
| | 8J0546 | | P-UB-10 | 1-3/4 | 3 | CTC-7X2791 | 121.52 |
| | 9T2453 | | P-UB-10 | 1-3/4 | 3 | CTC-7X2825 | 73.65 |
| | 9T8784 | | P-UB-10 | 1-3/4 | 3 | CTC-7X2825 | 73.65 |
| BACKHOE STICK/BLADE SHIFT | | | | | | | |
| | 8J0028 | | P-UB-10 | 1-3/4 | 3 | CTC-7X2791 | 121.52 |
| | 9T2483 | | P-UB-10 | 1-3/4 | 3 | CTC-7X2825 | 73.65 |
| BLADE | | | | | | | |
| | 3G5223 | | P-UB-10 | 2 | 3-1/4 | CTC-7X2767 | 93.15 |
| | 8J6380 | | P-UB-10 | 2 | 3-1/4 | CTC-7X2767 | 93.15 |
| | 9T2472 | | P-UB-10 | 2 | 3 | CTC-7X2760 | 96.66 |
| BLADE LIFT | | | | | | | |
| | 3G5223 | | P-UB-10 | 2 | 3-1/4 | CTC-7X2767 | 93.15 |
| | 9T2471 | | P-UB-10 | 1-3/4 | 3 | CTC-7X2825 | 73.65 |
| | 9T2472 | | P-UB-10 | 2 | 3 | CTC-7X2753 | 88.94 |
| BLADE TIP | | | | | | | |
| | 6E1549 | | P-UB-10 | 1-1/2 | 2-3/4 | CTC-1361599 | 139.86 |
| | 8J0024 | | P-UB-10 | 1-1/2 | 2-3/4 | CTC-7X2749 | 81.02 |
| | 9J3466 | | P-UB-10 | 1-1/2 | 2-3/4 | CTC-7X2749 | 81.02 |
| | 9T2461 | | P-UB-10 | 1-1/2 | 2-3/4 | CTC-1361599 | 139.86 |

REPLACEMENT KITS FOR CATERPILLAR® EQUIPMENT

| Motor Graders | | | | | | | |
|-----------------------|---------------|--------------------------------|---------|-------|-------|-------------|--------|
| APPLICATION | CYL # | Misc-Parts, Instructions, etc. | CODE | ROD | BORE | KIT # | |
| MODEL 130G | | | | | | | |
| CENTER SHIFT | | | | | | | |
| | 3G5224 | | P-UB-10 | 2 | 3-1/4 | CTC-7X2767 | 93.15 |
| | 8J6367 | | P-UB-10 | 2 | 3-1/4 | CTC-7X2767 | 93.15 |
| | 9T2549 | | P-UB-10 | 2 | 3 | CTC-7X2760 | 96.66 |
| CONVEYOR SWING | | | | | | | |
| | 3G5224 | | P-UB-10 | 2 | 3-1/4 | CTC-7X2767 | 93.15 |
| | 8J6367 | | P-UB-10 | 2 | 3-1/4 | CTC-7X2767 | 93.15 |
| | 9T2549 | | P-UB-10 | 2 | 3 | CTC-7X2760 | 96.66 |
| LIFT | | | | | | | |
| | 9T2471 | | P-UB-10 | 1-3/4 | 3 | CTC-7X2825 | 73.65 |
| PUMP | | | | | | | |
| | 61M; 72V; 74V | | | | | | |
| | 8J0498 | | | | | CTC-3G1708 | 221.27 |
| RIPPER | | | | | | | |
| | 1137754 | | P-UB-10 | 2 | 4 | CTC-1328816 | 127.22 |
| | 8J1658 | | P-UB-10 | 2 | 4 | CTC-1328816 | 127.22 |
| SCARIFIER | | | | | | | |
| | 3G1853 | | P-UB-10 | 1-3/4 | 3 | CTC-7X2791 | 121.52 |
| | 8J7321 | | P-UB-10 | 1-1/2 | 3 | CTC-7X2751 | 87.84 |
| | 9T2554 | | P-UB-10 | 1-3/4 | 3 | CTC-7X2825 | 73.65 |
| | 9T6951 | | P-UB-10 | 1-3/4 | 3 | CTC-7X2825 | 73.65 |
| SIDESHIFT | | | | | | | |
| | 1052094 | | P-UB-10 | 1-3/4 | 3 | CTC-7X2825 | 73.65 |
| | 8J0028 | | P-UB-10 | 1-3/4 | 3 | CTC-7X2791 | 121.52 |
| | 9T2483 | | P-UB-10 | 1-3/4 | 3 | CTC-7X2825 | 73.65 |
| STEERING LH | | | | | | | |
| | 3G8070 | | P-UB-10 | 1-1/2 | 2-1/2 | CTC-7X2739 | 77.55 |
| | 8J8820 | | P-UB-10 | 1-1/2 | 2-1/2 | CTC-7X2739 | 77.55 |
| | 9T2395 | | P-UB-10 | 1-1/2 | 2-1/4 | CTC-7X2826 | 55.89 |
| STEERING RH | | | | | | | |
| | 3G8069 | | P-UB-10 | 1-1/2 | 2-1/2 | CTC-7X2739 | 77.55 |
| | 8J5538 | | P-UB-10 | 1-1/2 | 2-1/2 | CTC-7X2739 | 77.55 |
| | 9T2393 | | P-UB-10 | 1-1/2 | 2-1/4 | CTC-7X2826 | 55.89 |
| WHEEL LEAN | | | | | | | |
| | 1219242 | | P-UB-10 | 2 | 3-1/2 | CTC-7X2783 | 141.24 |
| | 3G4752 | | P-UB-10 | 1-1/2 | 3-1/2 | CTC-7X2752 | 130.85 |
| | 8J5539 | | P-UB-10 | 1-1/2 | 3-1/2 | CTC-7X2752 | 130.85 |
| | 9T2520 | | P-UB-10 | 1-1/2 | 3-1/2 | CTC-1327058 | 142.49 |
| MODEL 135H | | | | | | | |
| ARTICULATION | | | | | | | |
| | 6E1554 | | P-UB-10 | 1-3/4 | 3 | CTC-7X2825 | 73.65 |
| | 6E4724 | | P-UB-10 | 2 | 3-1/2 | CTC-7X2783 | 141.24 |
| | 9T8785 | | P-UB-10 | 1-3/4 | 3 | CTC-7X2825 | 73.65 |
| BLADE | | | | | | | |
| | 1324926 | | P-UB-10 | 2 | 3 | CTC-7X2760 | 96.66 |
| BLADE TIP | | | | | | | |
| | 6E1549 | | P-UB-10 | 1-1/2 | 2-3/4 | CTC-1361599 | 139.86 |
| CONVEYOR SWING | | | | | | | |
| | 6E1754 | | P-UB-10 | 2 | 3 | CTC-7X2760 | 96.66 |
| SCARIFIER | | | | | | | |
| | 9T2554 | | P-UB-10 | 1-3/4 | 3 | CTC-7X2825 | 73.65 |
| | 9T6951 | | P-UB-10 | 1-3/4 | 3 | CTC-7X2825 | 73.65 |
| SIDESHIFT | | | | | | | |
| | 1125575 | | P-UB-10 | 1-3/4 | 3 | CTC-7X2825 | 73.65 |
| STEERING LH | | | | | | | |
| | 9T2395 | | P-UB-10 | 1-1/2 | 2-1/4 | CTC-7X2826 | 55.89 |

CATERPILLAR®

REPLACEMENT KITS FOR CATERPILLAR® EQUIPMENT

| Motor Graders | | | | | | | |
|----------------------------------|---------------|--------------------------------|---------|-------|-------|-------------|--------|
| APPLICATION | CYL # | Misc-Parts, Instructions, etc. | CODE | ROD | BORE | KIT # | |
| MODEL 135H | | | | | | | |
| STEERING RH | | | | | | | |
| | 9T2393 | | P-UB-10 | 1-1/2 | 2-1/4 | CTC-7X2826 | 55.89 |
| WHEEL LEAN | | | | | | | |
| | 1219242 | | P-UB-10 | 2 | 3-1/2 | CTC-7X2783 | 141.24 |
| | 9T2520 | | P-UB-10 | 1-1/2 | 3-1/2 | CTC-1327058 | 142.49 |
| MODEL 140G | | | | | | | |
| ARTICULATION | | | | | | | |
| | 8J0546 | | P-UB-10 | 1-3/4 | 3 | CTC-7X2791 | 121.52 |
| | 9T2453 | | P-UB-10 | 1-3/4 | 3 | CTC-7X2825 | 73.65 |
| | 9T8784 | | P-UB-10 | 1-3/4 | 3 | CTC-7X2825 | 73.65 |
| BACKHOE STICK/BLADE SHIFT | | | | | | | |
| | 8J0028 | | P-UB-10 | 1-3/4 | 3 | CTC-7X2791 | 121.52 |
| BLADE | | | | | | | |
| | 3G5223 | | P-UB-10 | 2 | 3-1/4 | CTC-7X2767 | 93.15 |
| | 8J6380 | | P-UB-10 | 2 | 3-1/4 | CTC-7X2767 | 93.15 |
| | 9T2472 | | P-UB-10 | 2 | 3 | CTC-7X2760 | 96.66 |
| BLADE LIFT | | | | | | | |
| | 9T2472 | | P-UB-10 | 2 | 3 | CTC-7X2753 | 88.94 |
| BLADE TIP | | | | | | | |
| | 6E1549 | | P-UB-10 | 1-1/2 | 2-3/4 | CTC-1361599 | 139.86 |
| | 8J0024 | | P-UB-10 | 1-1/2 | 2-3/4 | CTC-7X2749 | 81.02 |
| | 9J3466 | | P-UB-10 | 1-1/2 | 2-3/4 | CTC-7X2749 | 81.02 |
| | 9T2461 | | P-UB-10 | 1-1/2 | 2-3/4 | CTC-1361599 | 139.86 |
| CENTER SHIFT | | | | | | | |
| | 3G5224 | | P-UB-10 | 2 | 3-1/4 | CTC-7X2767 | 93.15 |
| | 8J6367 | | P-UB-10 | 2 | 3-1/4 | CTC-7X2767 | 93.15 |
| | 9T2549 | | P-UB-10 | 2 | 3 | CTC-7X2760 | 96.66 |
| CONVEYOR SWING | | | | | | | |
| | 3G5224 | | P-UB-10 | 2 | 3-1/4 | CTC-7X2767 | 93.15 |
| | 8J6367 | | P-UB-10 | 2 | 3-1/4 | CTC-7X2767 | 93.15 |
| | 9T2549 | | P-UB-10 | 2 | 3 | CTC-7X2760 | 96.66 |
| PUMP | | | | | | | |
| | 61M; 72V; 74V | | | | | | |
| | 8J0498 | | | | | CTC-3G1708 | 221.27 |
| RIPPER | | | | | | | |
| | 1137754 | | P-UB-10 | 2 | 4 | CTC-1328816 | 127.22 |
| | 8J1658 | | P-UB-10 | 2 | 4 | CTC-1328816 | 127.22 |
| RIPPER LIFT | | | | | | | |
| | 3G5189 | | P-UB-10 | 2-1/2 | 5 | CTC-7X2658 | 230.88 |
| SCARIFIER | | | | | | | |
| | 3G1853 | | P-UB-10 | 1-3/4 | 3 | CTC-7X2791 | 121.52 |
| | 8J7321 | | P-UB-10 | 1-1/2 | 3 | CTC-7X2751 | 87.84 |
| | 9T2554 | | P-UB-10 | 1-3/4 | 3 | CTC-7X2825 | 73.65 |
| | 9T6951 | | P-UB-10 | 1-3/4 | 3 | CTC-7X2825 | 73.65 |
| SIDESHIFT | | | | | | | |
| | 1052094 | | P-UB-10 | 1-3/4 | 3 | CTC-7X2825 | 73.65 |
| | 8J0028 | | P-UB-10 | 1-3/4 | 3 | CTC-7X2791 | 121.52 |
| | 9T2483 | | P-UB-10 | 1-3/4 | 3 | CTC-7X2825 | 73.65 |
| STEERING LH | | | | | | | |
| | 3G8070 | | P-UB-10 | 1-1/2 | 2-1/2 | CTC-7X2739 | 77.55 |
| | 8J8820 | | P-UB-10 | 1-1/2 | 2-1/2 | CTC-7X2739 | 77.55 |
| | 9T2395 | | P-UB-10 | 1-1/2 | 2-1/4 | CTC-7X2826 | 55.89 |
| STEERING RH | | | | | | | |
| | 3G8069 | | P-UB-10 | 1-1/2 | 2-1/2 | CTC-7X2739 | 77.55 |
| | 8J5538 | | P-UB-10 | 1-1/2 | 2-1/2 | CTC-7X2739 | 77.55 |
| | 9T2393 | | P-UB-10 | 1-1/2 | 2-1/4 | CTC-7X2826 | 55.89 |

REPLACEMENT KITS FOR CATERPILLAR® EQUIPMENT

| Motor Graders | | | | | | | |
|-------------------------|--|--------------------------------|-----------|-------|--------------|-------------|--------|
| APPLICATION | CYL # | Misc-Parts, Instructions, etc. | CODE | ROD | BORE | KIT # | |
| MODEL 140G | | | | | | | |
| WHEEL LEAN | | | | | | | |
| | 1219242 | | P-UB-10 | 2 | 3-1/2 | CTC-7X2783 | 141.24 |
| | 3G4752 | | P-UB-10 | 1-1/2 | 3-1/2 | CTC-7X2752 | 130.85 |
| | 4J4115 | | P-UB-10 | 1-1/2 | 4 | CTC-7X2738 | 119.97 |
| | 8J5539 | | P-UB-10 | 1-1/2 | 3-1/2 | CTC-7X2752 | 130.85 |
| | 9T2520 | | P-UB-10 | 1-1/2 | 3-1/2 | CTC-1327058 | 142.49 |
| MODEL 140H, 143H | | | | | | | |
| ARTICULATION | | | | | | | |
| | 1376790 | | P-UB-10 | 1-7/8 | 3-1/4 | CTC-3E3297 | 135.19 |
| | 1376792 | | P-UB-10 | 1-7/8 | 3-1/4 | CTC-3E3297 | 135.19 |
| | 6E1560 | | P-UB-10 | 1-3/4 | 3 | CTC-7X2825 | 73.65 |
| | 9T8784 | | P-UB-10 | 1-3/4 | 3 | CTC-7X2825 | 73.65 |
| BLADE | | | | | | | |
| | 1324929 | | P-UB-10 | 2 | 3 | CTC-7X2760 | 96.66 |
| BLADE TIP | | | | | | | |
| | 6E1549 | | P-UB-10 | 1-1/2 | 2-3/4 | CTC-1361599 | 139.86 |
| CONVEYOR SWING | | | | | | | |
| | 6E1343 | | P-UB-10 | 2 | 3 | CTC-7X2760 | 96.66 |
| RIPPER | | | | | | | |
| | 1137754 | | P-UB-10 | 2 | 4 | CTC-1328816 | 127.22 |
| SCARIFIER | | | | | | | |
| | 9T2554 | | P-UB-10 | 1-3/4 | 3 | CTC-7X2825 | 73.65 |
| | 9T6951 | | P-UB-10 | 1-3/4 | 3 | CTC-7X2825 | 73.65 |
| SIDESHIFT | | | | | | | |
| | 1125575 | | P-UB-10 | 1-3/4 | 3 | CTC-7X2825 | 73.65 |
| STEERING LH | | | | | | | |
| | 9T2395 | | P-UB-10 | 1-1/2 | 2-1/4 | CTC-7X2826 | 55.89 |
| STEERING RH | | | | | | | |
| | 9T2393 | | P-UB-10 | 1-1/2 | 2-1/4 | CTC-7X2826 | 55.89 |
| WHEEL LEAN | | | | | | | |
| | 1219242 | | P-UB-10 | 2 | 3-1/2 | CTC-7X2783 | 141.24 |
| | 9T2520 | | P-UB-10 | 1-1/2 | 3-1/2 | CTC-1327058 | 142.49 |
| MODEL 140M | | | | | | | |
| ARTICULATION | | | | | | | |
| | B9D1-UP; B9G1-UP; B9M1-UP; D9G1-UP | | | | | | |
| | 2470096 | | P-UB-10 | 1-7/8 | 3-1/4 | CTC-2465926 | 60.62 |
| BLADE LIFT | | | | | | | |
| | B9D1-UP; B9G1-UP; B9M1-UP; D9G1-UP | | | | | | |
| | 2621900 | | P-UB-10 | 2 | 3 | CTC-2384462 | 61.50 |
| | B9D3500-UP; B9G1-UP; B9M1-UP; D9G1300-UP | | | | | | |
| | 3351974 | | P-UB-10 | 2 | 3 | CTC-2384462 | 61.50 |
| BLADE TIP | | | | | | | |
| | B9D1-UP; B9G1-UP; B9M1-UP; D9G1-UP | | | | | | |
| | 1317191 | | P-UB-10 | 1-1/2 | 2-3/4 | CTC-2339204 | 85.83 |
| BULLDOZER | | | | | | | |
| | B9D1-UP; D9G1-UP | | | | | | |
| | 3149338 | | P-UB-10 | 1-3/4 | 3-1/2 | CTC-3260503 | 219.76 |
| CENTERSHIFT | | | | | | | |
| | B9D1-UP; B9G1-UP; B9M1-UP; D9G1-UP | | | | | | |
| | 2621907 | | P-UB-10 | 2 | 3 | CTC-2384462 | 61.50 |
| LINK | | | | | | | |
| | B9G1-UP; B9M1-UP | | | | | | |
| | 2773811 | | P-UB-10 | 1-3/4 | 3-1/2 | CTC-2401881 | 98.74 |
| MAST | | | | | | | |
| | B9G1-UP; B9M1-UP | | | | | | |
| | 2558000 | | GK-I-U-12 | 2, 3 | 2-1/2, 3-1/2 | CTC-2599096 | 264.49 |

CATERPILLAR®

REPLACEMENT KITS FOR CATERPILLAR® EQUIPMENT

| Motor Graders | | | | | | | |
|---|---------|--------------------------------|-----------|-------|--------------|-------------|--------|
| APPLICATION | CYL # | Misc-Parts, Instructions, etc. | CODE | ROD | BORE | KIT # | |
| MODEL 140M | | | | | | | |
| RIPPER | | | | | | | |
| B9D1-UP; B9G1-UP; B9M1-UP | | | | | | | |
| | 3262227 | | P-UB-10 | 50 mm | 110 mm | CTC-4173698 | 127.05 |
| B9D1-UP; B9G1-UP; B9M1-UP; D9G1-UP | | | | | | | |
| | 1137754 | | P-UB-10 | 2 | 4 | CTC-2339205 | 59.01 |
| SCARIFIER | | | | | | | |
| B9D1-UP; B9G1-UP; B9M1-UP; D9G1-UP | | | | | | | |
| | 1652510 | | P-UB-10 | 1-3/4 | 3 | CTC-3769017 | 53.54 |
| SIDESHIFT | | | | | | | |
| B9D1-UP; B9G1-UP; B9M1-UP; D9G1-UP | | | | | | | |
| | 2494116 | | P-UB-10 | 1-3/4 | 3 | CTC-3769017 | 53.54 |
| SNOW WING | | | | | | | |
| B9G1-UP; B9M1-UP | | | | | | | |
| | 2773836 | | P-UB-10 | 1-3/4 | 3 | CTC-2402016 | 56.96 |
| STEERING | | | | | | | |
| B9D1488-UP; B9M551-UP | | | | | | | |
| | 2558715 | | P-UB-10 | 2 | 3 | CTC-3076273 | 51.07 |
| B9D1-UP; B9G1-UP; B9M1-UP; D9G1-UP | | | | | | | |
| | 2625766 | | P-UB-10 | 2 | 3 | CTC-3076273 | 51.07 |
| B9D4519-UP | | | | | | | |
| | 3896062 | | P-UB-10 | 2 | 3 | CTC-3076273 | 51.07 |
| D9G1481-UP | | | | | | | |
| | 3844547 | | P-UB-10 | 2 | 3 | CTC-3076273 | 51.07 |
| WHEEL LEAN | | | | | | | |
| B9D1488-UP; B9G1-UP; B9M551-UP; D9G1-UP | | | | | | | |
| | 2495299 | | P-UB-10 | 2 | 3-1/2 | CTC-3769011 | 89.39 |
| WORK TOOL LIFT | | | | | | | |
| B9D1-UP; B9G1-UP; B9M1-UP; D9G1-UP | | | | | | | |
| | 2173501 | | P-UB-10 | 1-3/4 | 3-1/2 | CTC-2401881 | 98.74 |
| MODEL 140M2 | | | | | | | |
| ARTICULATION | | | | | | | |
| M9D1-UP; M9J1-UP; R9G1-UP; R9M1-UP | | | | | | | |
| | 2470096 | | P-UB-10 | 1-7/8 | 3-1/4 | CTC-2465926 | 60.62 |
| BLADE LIFT | | | | | | | |
| M9D1-UP; M9J1-UP; R9G1-UP; R9M1-UP | | | | | | | |
| | 3351974 | | P-UB-10 | 2 | 3 | CTC-2384462 | 61.50 |
| BLADE TIP | | | | | | | |
| M9D1-UP; M9J1-UP; R9G1-UP; R9M1-UP | | | | | | | |
| | 1317191 | | P-UB-10 | 1-1/2 | 2-3/4 | CTC-2339204 | 85.83 |
| BULLDOZER | | | | | | | |
| M9D1-UP; M9J1-UP; R9G1-UP; R9M1-UP | | | | | | | |
| | 3149338 | | P-UB-10 | 1-3/4 | 3-1/2 | CTC-3260503 | 219.76 |
| CENTERSHIFT | | | | | | | |
| M9D1-UP; M9J1-UP; R9G1-UP; R9M1-UP | | | | | | | |
| | 2621907 | | P-UB-10 | 2 | 3 | CTC-2384462 | 61.50 |
| MAST | | | | | | | |
| R9G1-UP; R9M1-UP | | | | | | | |
| | 2558000 | | GK-I-U-12 | 2, 3 | 2-1/2, 3-1/2 | CTC-2599096 | 264.49 |
| RIPPER | | | | | | | |
| M9D1-UP; M9J1-UP; R9G1-UP; R9M1-UP | | | | | | | |
| | 3262227 | | P-UB-10 | 50 mm | 110 mm | CTC-4173698 | 127.05 |
| SCARIFIER | | | | | | | |
| M9D1-UP; M9J1-UP; R9G1-UP; R9M1-UP | | | | | | | |
| | 1652510 | | P-UB-10 | 1-3/4 | 3 | CTC-3769017 | 53.54 |

REPLACEMENT KITS FOR CATERPILLAR® EQUIPMENT

| Motor Graders | | | | | | | |
|---------------------|------------------------------------|--------------------------------|---------|-------|--------|--------------|--------|
| APPLICATION | CYL # | Misc-Parts, Instructions, etc. | CODE | ROD | BORE | KIT # | |
| MODEL 140M2 | | | | | | | |
| SIDESHIFT | | | | | | | |
| | M9D1-UP; M9J1-UP; R9G1-UP; R9M1-UP | | | | | | |
| | 2494116 | | P-UB-10 | 1-3/4 | 3 | CTC-3769017 | 53.54 |
| STEERING | | | | | | | |
| | M9D1695-UP; R9M1-UP | | | | | | |
| | 3896062 | | P-UB-10 | 2 | 3 | CTC-3076273 | 51.07 |
| | M9D1-UP; R9M1-UP | | | | | | |
| | 2558715 | | P-UB-10 | 2 | 3 | CTC-3076273 | 51.07 |
| | M9J1-UP; R9G1-UP | | | | | | |
| | 2625766 | | P-UB-10 | 2 | 3 | CTC-3076273 | 51.07 |
| | M9J845-UP; R9G1-UP | | | | | | |
| | 3844547 | | P-UB-10 | 2 | 3 | CTC-3076273 | 51.07 |
| WHEEL LEAN | | | | | | | |
| | M9D1-UP; M9J1-UP; R9G1-UP; R9M1-UP | | | | | | |
| | 2495299 | | P-UB-10 | 2 | 3-1/2 | CTC-3769011 | 89.39 |
| WORK TOOL LIFT | | | | | | | |
| | M9D1-UP; M9J1-UP; R9G1-UP; R9M1-UP | | | | | | |
| | 2173501 | | P-UB-10 | 1-3/4 | 3-1/2 | CTC-2401881 | 98.74 |
| MODEL 140M3 | | | | | | | |
| ARTICULATION | | | | | | | |
| | N9D1-UP; N9G1-UP; N9J1-UP; N9M1-UP | | | | | | |
| | 2470096 | | P-UB-10 | 1-7/8 | 3-1/4 | CTC-2465926 | 60.62 |
| BLADE LIFT | | | | | | | |
| | N9D1-UP; N9G1-UP; N9J1-UP; N9M1-UP | | | | | | |
| | 3351974 | | P-UB-10 | 2 | 3 | CTC-2384462 | 61.50 |
| BLADE TIP | | | | | | | |
| | N9D1-UP; N9G1-UP; N9J1-UP; N9M1-UP | | | | | | |
| | 1317191 | | P-UB-10 | 1-1/2 | 2-3/4 | CTC-2339204 | 85.83 |
| CENTERSHIFT | | | | | | | |
| | N9D1-UP; N9G1-UP; N9J1-UP; N9M1-UP | | | | | | |
| | 2621907 | | P-UB-10 | 2 | 3 | CTC-2384462 | 61.50 |
| RIPPER | | | | | | | |
| | N9D1-UP; N9G1-UP; N9J1-UP; N9M1-UP | | | | | | |
| | 3262227 | | P-UB-10 | 50 mm | 110 mm | CTC-4173698 | 127.05 |
| SCARIFIER | | | | | | | |
| | N9D1-UP; N9G1-UP; N9J1-UP; N9M1-UP | | | | | | |
| | 1652510 | | P-UB-10 | 1-3/4 | 3 | CTC-3769017 | 53.54 |
| SIDESHIFT | | | | | | | |
| | N9D1-UP; N9G1-UP; N9J1-UP; N9M1-UP | | | | | | |
| | 2494116 | | P-UB-10 | 1-3/4 | 3 | CTC-3769017 | 53.54 |
| | N9G1-UP; N9M1-UP | | | | | | |
| | 5096993 | | P-UB-10 | 1-3/4 | 3 | CTC-SK100214 | 95.75 |
| STEERING | | | | | | | |
| | N9D1-UP; N9M1-UP | | | | | | |
| | 3896062 | | P-UB-10 | 2 | 3 | CTC-4710161 | 120.68 |
| | N9G1-UP; N9J1-UP | | | | | | |
| | 3844547 | | P-UB-10 | 2 | 3 | CTC-4710161 | 120.68 |
| WHEEL LEAN | | | | | | | |
| | N9D1-UP; N9G1-UP; N9J1-UP; N9M1-UP | | | | | | |
| | 2495299 | | P-UB-10 | 2 | 3-1/2 | CTC-3769011 | 89.39 |
| WORK TOOL SNOW WING | | | | | | | |
| | N9G1-UP; N9M1-UP | | | | | | |
| | 2773836 | | P-UB-10 | 1-3/4 | 3 | CTC-2402016 | 56.96 |

REPLACEMENT KITS FOR CATERPILLAR® EQUIPMENT

| Motor Graders | | | | | | | |
|---------------------------|--|--------------------------------|---------|---------|-------|-------------|---------|
| APPLICATION | CYL # | Misc-Parts, Instructions, etc. | CODE | ROD | BORE | KIT # | |
| MODEL 160H, 163H | | | | | | | |
| ARTICULATION | | | | | | | |
| | 1376790 | | P-UB-10 | 1-7/8 | 3-1/4 | CTC-3E3297 | 135.19 |
| | 1376792 | | P-UB-10 | 1-7/8 | 3-1/4 | CTC-3E3297 | 135.19 |
| | 6E1560 | | P-UB-10 | 1-3/4 | 3 | CTC-7X2825 | 73.65 |
| | 9T8784 | | P-UB-10 | 1-3/4 | 3 | CTC-7X2825 | 73.65 |
| BLADE | | | | | | | |
| | 1324929 | | P-UB-10 | 2 | 3 | CTC-7X2760 | 96.66 |
| BLADE TIP | | | | | | | |
| | 6E1549 | | P-UB-10 | 1-1/2 | 2-3/4 | CTC-1361599 | 139.86 |
| CONVEYOR SWING | | | | | | | |
| | 6E1343 | | P-UB-10 | 2 | 3 | CTC-7X2760 | 96.66 |
| RIPPER | | | | | | | |
| | 1137754 | | P-UB-10 | 2 | 4 | CTC-1328816 | 127.22 |
| SCARIFIER | | | | | | | |
| | 9T2554 | | P-UB-10 | 1-3/4 | 3 | CTC-7X2825 | 73.65 |
| | 9T6951 | | P-UB-10 | 1-3/4 | 3 | CTC-7X2825 | 73.65 |
| SIDESHIFT | | | | | | | |
| | 1125575 | | P-UB-10 | 1-3/4 | 3 | CTC-7X2825 | 73.65 |
| STEERING LH | | | | | | | |
| | 9T2395 | | P-UB-10 | 1-1/2 | 2-1/4 | CTC-7X2826 | 55.89 |
| STEERING RH | | | | | | | |
| | 9T2393 | | P-UB-10 | 1-1/2 | 2-1/4 | CTC-7X2826 | 55.89 |
| WHEEL LEAN | | | | | | | |
| | 1219242 | | P-UB-10 | 2 | 3-1/2 | CTC-7X2783 | 141.24 |
| | 9T2520 | | P-UB-10 | 1-1/2 | 3-1/2 | CTC-1327058 | 142.49 |
| Off-Highway Trucks | | | | | | | |
| APPLICATION | CYL # | Misc-Parts, Instructions, etc. | CODE | ROD | BORE | KIT # | List \$ |
| MODEL 768C | | | | | | | |
| HOIST | | | | | | | |
| | 9J4149 | | I-SP-10 | 4,6-1/2 | 5-3/4 | CTC-8T4772 | 431.41 |
| STEERING | | | | | | | |
| | | | P-UB-10 | 2-3/8 | 3-3/4 | CTC-2578422 | 72.53 |
| | | | P-UB-10 | 2 | 3 | CTC-2937596 | 54.92 |
| SUSPENSION | | | | | | | |
| | 1162836 | | P-U-3 | 7 | 8-1/2 | CTC-1417296 | 374.87 |
| SUSPENSION FRONT | | | | | | | |
| | 79S1; 02X1- | | P-UB-3 | 7 | 8 | CTC-1137475 | 627.24 |
| SUSPENSION REAR | | | | | | | |
| | | | P-U-3 | 7 | 8-1/2 | CTC-2959886 | 377.03 |
| | 5J6572 | | I-SP-1 | 7 | 8-1/2 | CTC-5J6572K | 312.00 |
| MODEL 769C | | | | | | | |
| HOIST | | | | | | | |
| | 4T4168 | | I-SP-10 | 4,6-1/2 | 5-3/4 | CTC-8T4772 | 431.41 |
| | 9J4149 | | I-SP-10 | 4,6-1/2 | 5-3/4 | CTC-8T4772 | 431.41 |
| STEERING | | | | | | | |
| | | | P-UB-10 | 2-3/8 | 3-3/4 | CTC-2578422 | 72.53 |
| | | | P-UB-10 | 2 | 3 | CTC-2937596 | 54.92 |
| SUSPENSION | | | | | | | |
| | 1162836 | | P-U-3 | 7 | 8-1/2 | CTC-1417296 | 374.87 |
| SUSPENSION FRONT | | | | | | | |
| | | | P-UB-3 | 7 | 8 | CTC-2950148 | 899.12 |
| | 01X2920-; 3BJ1-; 5TR; 6JR; 5SS; 6YS; 9XS; BCA; BBB | | P-UB-3 | 7 | 8 | CTC-1137475 | 627.24 |

CATERPILLAR®

REPLACEMENT KITS FOR CATERPILLAR® EQUIPMENT

| Off-Highway Trucks | | | | | | | |
|-------------------------|--|--------------------------------|---------|---------|-------|--------------|--------|
| APPLICATION | CYL # | Misc-Parts, Instructions, etc. | CODE | ROD | BORE | KIT # | |
| MODEL 769C | | | | | | | |
| SUSPENSION REAR | | | | | | | |
| | | | P-U-3 | 7 | 8-1/2 | CTC-2959886 | 377.03 |
| | 5J6572 | | I-SP-1 | 7 | 8-1/2 | CTC-5J6572K | 312.00 |
| | 1X1-1X3271 | | | | | | |
| | 3G0688 | | I-SP-1 | 7 | 8-1/2 | CTC-5J6572K | 312.00 |
| | 1X3272- | | | | | | |
| | 3G0688 | | I-SP-1 | 7 | 8-1/2 | CTC-3G0688K | 312.00 |
| MODEL 769D | | | | | | | |
| HOIST | | | | | | | |
| | 4T4168 | | I-SP-10 | 4,6-1/2 | 5-3/4 | CTC-8T4772 | 431.41 |
| | 9J4149 | | I-SP-10 | 4,6-1/2 | 5-3/4 | CTC-8T4772 | 431.41 |
| STEERING | | | | | | | |
| | | | P-UB-10 | 2 | 3 | CTC-2937596 | 54.92 |
| | 1100532 | | P-UB-10 | 2 | 3 | CTC-7X2760 | 96.66 |
| | 9J1287 | | P-UB-10 | 2-3/8 | 3-3/4 | CTC-7X2808 | 110.61 |
| SUSPENSION | | | | | | | |
| | 1162836 | | P-U-3 | 7 | 8-1/2 | CTC-1417296 | 374.87 |
| SUSPENSION FRONT | | | | | | | |
| | 01X2920-; 3BJ1-; 5TR; 6JR; 5SS; 6YS; 9XS; BCA; BBB | | | | | | |
| | | | P-UB-3 | 7 | 8 | CTC-1137475 | 627.24 |
| SUSPENSION REAR | | | | | | | |
| | | | P-U-3 | 7 | 8-1/2 | CTC-2959886 | 377.03 |
| UNSPECIFIED APPLICATION | | | | | | | |
| | 1303921 | | P-UB-3 | 7 | 8 | CTC-1137475 | 627.24 |
| MODEL 770 | | | | | | | |
| STEERING | | | | | | | |
| | | | P-UB-10 | 2 | 3 | CTC-2937596 | 54.92 |
| SUSPENSION REAR | | | | | | | |
| | BZZ1-UP | | | | | | |
| | 3945681 | | P-UB-1 | 7 | 8-1/2 | CTC-SK100097 | 398.75 |
| MODEL 771C | | | | | | | |
| HOIST | | | | | | | |
| | 4T4168 | | I-SP-10 | 4,6-1/2 | 5-3/4 | CTC-8T4772 | 431.41 |
| | 9J4149 | | I-SP-10 | 4,6-1/2 | 5-3/4 | CTC-8T4772 | 431.41 |
| STEERING | | | | | | | |
| | | | P-UB-10 | 2 | 3 | CTC-2937596 | 54.92 |
| | 9J1287 | | P-UB-10 | 2-3/8 | 3-3/4 | CTC-7X2808 | 110.61 |
| SUSPENSION | | | | | | | |
| | 1162836 | | P-U-3 | 7 | 8-1/2 | CTC-1417296 | 374.87 |
| SUSPENSION FRONT | | | | | | | |
| | | | P-UB-3 | 7 | 8 | CTC-2950148 | 899.12 |
| | 01X2920-; 3BJ1-; 5TR; 6JR; 5SS; 6YS; 9XS; BCA; BBB | | | | | | |
| | | | P-UB-3 | 7 | 8 | CTC-1137475 | 627.24 |
| SUSPENSION REAR | | | | | | | |
| | | | P-U-3 | 7 | 8-1/2 | CTC-2959886 | 377.03 |
| UNSPECIFIED APPLICATION | | | | | | | |
| | 9J5476 | | P-UB-3 | 7 | 8 | CTC-1137475 | 627.24 |
| MODEL 771D | | | | | | | |
| HOIST | | | | | | | |
| | 4T4168 | | I-SP-10 | 4,6-1/2 | 5-3/4 | CTC-8T4772 | 431.41 |
| | 9J4149 | | I-SP-10 | 4,6-1/2 | 5-3/4 | CTC-8T4772 | 431.41 |
| STEERING | | | | | | | |
| | | | P-UB-10 | 2 | 3 | CTC-2937596 | 54.92 |
| | 1100532 | | P-UB-10 | 2 | 3 | CTC-7X2760 | 96.66 |
| | 9J1287 | | P-UB-10 | 2-3/8 | 3-3/4 | CTC-7X2808 | 110.61 |
| SUSPENSION | | | | | | | |
| | 1162836 | | P-U-3 | 7 | 8-1/2 | CTC-1417296 | 374.87 |

REPLACEMENT KITS FOR CATERPILLAR® EQUIPMENT

| Off-Highway Trucks | | | | | | | |
|-------------------------|--|--------------------------------|---------|---------|-------------|-------------|--------|
| APPLICATION | CYL # | Misc-Parts, Instructions, etc. | CODE | ROD | BORE | KIT # | |
| MODEL 771D | | | | | | | |
| SUSPENSION FRONT | | | | | | | |
| | 01X2920-; 3BJ1-; 5TR; 6JR; 5SS; 6YS; 9XS; BCA; BBB | | | | | | |
| | | | P-UB-3 | 7 | 8 | CTC-1137475 | 627.24 |
| SUSPENSION REAR | | | | | | | |
| | | | P-U-3 | 7 | 8-1/2 | CTC-2959886 | 377.03 |
| MODEL 772B | | | | | | | |
| DOOR | | | | | | | |
| | 3G4640 | | P-UB-10 | 2-1/2 | 6 | CTC-7X2669 | 296.27 |
| | 9J8157 | | P-UB-10 | 2-1/2 | 6 | CTC-7X2836 | 204.35 |
| HOIST | | | | | | | |
| | 9J2017 | | I-SP-10 | 5,7-1/2 | 8-1/4 | CTC-8T9042 | 624.28 |
| | 9T3122 | | I-SP-10 | 5,7-1/2 | 8-1/4 | CTC-8T9042 | 624.28 |
| STEERING | | | | | | | |
| | | | P-UB-10 | 2-3/8 | 4 | CTC-2418925 | 77.46 |
| | | | P-UB-10 | 2 | 3 | CTC-2937596 | 54.92 |
| SUSPENSION | | | | | | | |
| | 8J2322 | | P-UB-3 | 7 | 8 | CTC-1137475 | 627.24 |
| SUSPENSION FRONT | | | | | | | |
| | | | P-UB-3 | 7 | 8 | CTC-2950148 | 899.12 |
| | 1U4777 | | P-UB-3 | 7 | 8 | CTC-1137478 | 899.12 |
| | 7J3480 | | P-UB-3 | 7 | 8 | CTC-1137475 | 627.24 |
| | 64W168- | | | | | | |
| | | | P-UB-3 | 7 | 8 | CTC-1137478 | 899.12 |
| SUSPENSION REAR | | | | | | | |
| | | | P-U-3 | 7 | 8-1/2 | CTC-2959886 | 377.03 |
| UNSPECIFIED APPLICATION | | | | | | | |
| | 1163092 | | P-UB-3 | 7 | 8 | CTC-1137478 | 899.12 |
| MODEL 772E | | | | | | | |
| SUSPENSION REAR | | | | | | | |
| | | | P-U-3 | 7 | 8-1/2 | CTC-2959886 | 377.03 |
| MODEL 773B | | | | | | | |
| DOOR | | | | | | | |
| | 3G4640 | | P-UB-10 | 2-1/2 | 6 | CTC-7X2669 | 296.27 |
| HOIST | | | | | | | |
| | | | I-SP-10 | 5,7-1/2 | 6-1/2,8-1/4 | CTC-3126388 | 658.82 |
| | 9J2017 | | I-SP-10 | 5,7-1/2 | 8-1/4 | CTC-8T9042 | 624.28 |
| | 9T3122 | | I-SP-10 | 5,7-1/2 | 8-1/4 | CTC-8T9042 | 624.28 |
| STEERING RH | | | | | | | |
| | 63G1-; 63W1- | | | | | | |
| | 7J7686 | | P-UB-10 | 2-3/8 | 4 | CTC-8T1389 | 65.32 |
| SUSPENSION | | | | | | | |
| | 1162837 | | P-U-3 | 7 | 8-1/2 | CTC-1417296 | 374.87 |
| SUSPENSION FRONT | | | | | | | |
| | | | P-UB-3 | 7 | 8 | CTC-2950148 | 899.12 |
| | 63W1271-; 7XJ1-; 6KR; 7ER; 7CS; 8AS | | | | | | |
| | | | P-UB-3 | 7 | 8 | CTC-1137478 | 899.12 |
| SUSPENSION REAR | | | | | | | |
| | 9T6082 | | P-U-3 | 7 | 8-1/2 | CTC-1417296 | 374.87 |
| | 63G; 63W1-63W1724 | | | | | | |
| | 8J9332 | | I-SP-1 | 7 | 8-1/2 | CTC-5J6572K | 312.00 |
| | 63W1725- | | | | | | |
| | 8J9332 | | I-SP-1 | 7 | 8-1/2 | CTC-3G0688K | 312.00 |
| UNSPECIFIED APPLICATION | | | | | | | |
| | 1163092 | | P-UB-3 | 7 | 8 | CTC-1137478 | 899.12 |

REPLACEMENT KITS FOR CATERPILLAR® EQUIPMENT

| Off-Highway Trucks | | | | | | | | |
|--------------------|-------------------------------------|--------------------------------|---------|----------|--------------|--------------|---------|--|
| APPLICATION | CYL # | Misc-Parts, Instructions, etc. | CODE | ROD | BORE | KIT # | | |
| MODEL 773D | | | | | | | | |
| HOIST | | | | | | | | |
| | | | I-SP-10 | 5,7-1/2 | 6-1/2,8-1/4 | CTC-3126388 | 658.82 | |
| | 1455155 | | I-SP-10 | 5,7-1/2 | 8-1/4 | CTC-8T9042 | 624.28 | |
| | 9J2017 | | I-SP-10 | 5,7-1/2 | 8-1/4 | CTC-8T9042 | 624.28 | |
| STEERING RH | | | | | | | | |
| | 7J7686 | | P-UB-10 | 2-3/8 | 4 | CTC-8T1389 | 65.32 | |
| SUSPENSION | | | | | | | | |
| | 1162837 | | P-U-3 | 7 | 8-1/2 | CTC-1417296 | 374.87 | |
| SUSPENSION FRONT | | | | | | | | |
| | | | P-UB-3 | 7 | 8 | CTC-2950148 | 899.12 | |
| | 1163092 | | P-UB-3 | 7 | 8 | CTC-1137478 | 899.12 | |
| | 1U4777 | | P-UB-3 | 7 | 8 | CTC-1137478 | 899.12 | |
| | 63W1271-; 7XJ1-; 6KR; 7ER; 7CS; 8AS | | | | | | | |
| | | | P-UB-3 | 7 | 8 | CTC-1137478 | 899.12 | |
| SUSPENSION REAR | | | | | | | | |
| | 9T6082 | | P-U-3 | 7 | 8-1/2 | CTC-1417296 | 374.87 | |
| MODEL 773E | | | | | | | | |
| HOIST | | | | | | | | |
| | | | I-SP-10 | 5,7-1/2 | 6-1/2,8-1/4 | CTC-3126388 | 658.82 | |
| STEERING | | | | | | | | |
| | | | P-UB-10 | 2-1/2 | 3-1/2 | CTC-2949583 | 96.23 | |
| SUSPENSION REAR | | | | | | | | |
| | | | P-UB-1 | 7 | 8-1/2 | CTC-2976848 | 390.42 | |
| MODEL 773F | | | | | | | | |
| HOIST | | | | | | | | |
| | EED1-400 | | | | | | | |
| | 1455155 | | I-U-10 | 5, 7-1/2 | 6-1/2, 8-1/4 | CTC-4494753 | 595.79 | |
| | EED401-862 | | | | | | | |
| | 2960738 | | I-SP-10 | 5, 7-1/2 | 6-1/2, 8-1/4 | CTC-SK100020 | 580.60 | |
| | EED863-UP | | | | | | | |
| | 2960738 | | I-U-10 | 5, 7-1/2 | 6-1/2, 8-1/4 | CTC-4494753 | 595.79 | |
| | EXD1-UP | | | | | | | |
| | 2960738 | | I-U-10 | 5, 7-1/2 | 6-1/2, 8-1/4 | CTC-4494753 | 595.79 | |
| STEERING | | | | | | | | |
| | EED1-UP; EXD1-UP | | | | | | | |
| | 1053357 | | P-UB-10 | 2-1/2 | 3-1/2 | CTC-2949583 | 96.23 | |
| SUSPENSION FRONT | | | | | | | | |
| | EED1-400 | | | | | | | |
| | 2645784 | | P-U-1 | 7 | 8 | CTC-2976847 | 1312.35 | |
| | EED401-UP; EXC1-UP | | | | | | | |
| | 2960736 | | P-U-1 | 7 | 8 | CTC-2976847 | 1312.35 | |
| SUSPENSION REAR | | | | | | | | |
| | | | P-UB-1 | 7 | 8-1/2 | CTC-2976848 | 390.42 | |
| | EED1-400 | | | | | | | |
| | 2645786 | | P-UB-1 | 7 | 8-1/2 | CTC-2976848 | 390.42 | |
| | EED401-UP; EXD1-UP | | | | | | | |
| | 2960737 | | P-UB-1 | 7 | 8-1/2 | CTC-2976848 | 390.42 | |
| MODEL 773G | | | | | | | | |
| HOIST | | | | | | | | |
| | JWS1-UP; MWH1-UP | | | | | | | |
| | 1455155 | | I-U-10 | 5, 7-1/2 | 6-1/2, 8-1/4 | CTC-3367372 | 595.79 | |
| | JWS1-UP; MWH1-UP; T5S1-UP; T5T1-UP | | | | | | | |
| | 2960738 | | I-U-10 | 5, 7-1/2 | 6-1/2, 8-1/4 | CTC-3367372 | 595.79 | |

CATERPILLAR®

REPLACEMENT KITS FOR CATERPILLAR® EQUIPMENT

| Off-Highway Trucks | | | | | | | |
|-------------------------|-------------------------------------|--------------------------------|---------|---------|-------------|--------------|--------|
| APPLICATION | CYL # | Misc-Parts, Instructions, etc. | CODE | ROD | BORE | KIT # | |
| MODEL 773G | | | | | | | |
| STEERING | | | | | | | |
| | JWS1-UP; MWH1-UP; T5S1-UP; T5T1-UP | | | | | | |
| | 1053357 | | P-UB-10 | 2-1/2 | 3-1/2 | CTC-2949583 | 96.23 |
| | 3348695 | | P-UB-10 | 2-1/2 | 3-1/2 | CTC-SK100061 | 116.46 |
| SUSPENSION FRONT | | | | | | | |
| | JWS1-UP; MWH1-UP; T5S1-UP; T5T1-UP | | | | | | |
| | 3344225 | | P-U-1 | 7 | 8 | CTC-SK100060 | 941.00 |
| SUSPENSION REAR | | | | | | | |
| | JWS1-UP; MWH1-UP; T5S1-UP; T5T1-UP | | | | | | |
| | 3344228 | | P-UB-1 | 7 | 8-1/2 | CTC-3626460 | 328.56 |
| MODEL 775 | | | | | | | |
| HOIST | | | | | | | |
| | 9J2017 | | I-SP-10 | 5,7-1/2 | 8-1/4 | CTC-8T9042 | 624.28 |
| | 9T3122 | | I-SP-10 | 5,7-1/2 | 8-1/4 | CTC-8T9042 | 624.28 |
| STEERING RH | | | | | | | |
| | 7J7686 | | P-UB-10 | 2-3/8 | 4 | CTC-8T1389 | 65.32 |
| SUSPENSION | | | | | | | |
| | 1162837 | | P-U-3 | 7 | 8-1/2 | CTC-1417296 | 374.87 |
| SUSPENSION REAR | | | | | | | |
| | 9T6082 | | P-U-3 | 7 | 8-1/2 | CTC-1417296 | 374.87 |
| UNSPECIFIED APPLICATION | | | | | | | |
| | 1163092 | | P-UB-3 | 7 | 8 | CTC-1137478 | 899.12 |
| | 1U4777 | | P-UB-3 | 7 | 8 | CTC-1137478 | 899.12 |
| MODEL 775B | | | | | | | |
| HOIST | | | | | | | |
| | | | I-SP-10 | 5,7-1/2 | 6-1/2,8-1/4 | CTC-3126388 | 658.82 |
| SUSPENSION | | | | | | | |
| | 1U4777 | | P-UB-3 | 7 | 8 | CTC-1137478 | 899.12 |
| SUSPENSION FRONT | | | | | | | |
| | | | P-UB-3 | 7 | 8 | CTC-2950148 | 899.12 |
| | 63W1271-; 7XJ1-; 6KR; 7ER; 7CS; 8AS | | | | | | |
| | | | P-UB-3 | 7 | 8 | CTC-1137478 | 899.12 |
| SUSPENSION REAR | | | | | | | |
| | | | P-U-3 | 7 | 8-1/2 | CTC-2959886 | 377.03 |
| MODEL 775D | | | | | | | |
| HOIST | | | | | | | |
| | | | I-SP-10 | 5,7-1/2 | 6-1/2,8-1/4 | CTC-3126388 | 658.82 |
| | 1455155 | | I-SP-10 | 5,7-1/2 | 8-1/4 | CTC-8T9042 | 624.28 |
| | 9J2017 | | I-SP-10 | 5,7-1/2 | 8-1/4 | CTC-8T9042 | 624.28 |
| | 9T3122 | | I-SP-10 | 5,7-1/2 | 8-1/4 | CTC-8T9042 | 624.28 |
| STEERING RH | | | | | | | |
| | 7J7686 | | P-UB-10 | 2-3/8 | 4 | CTC-8T1389 | 65.32 |
| SUSPENSION | | | | | | | |
| | 1162837 | | P-U-3 | 7 | 8-1/2 | CTC-1417296 | 374.87 |
| SUSPENSION FRONT | | | | | | | |
| | | | P-UB-3 | 7 | 8 | CTC-2950148 | 899.12 |
| | 63W1271-; 7XJ1-; 6KR; 7ER; 7CS; 8AS | | | | | | |
| | | | P-UB-3 | 7 | 8 | CTC-1137478 | 899.12 |
| SUSPENSION REAR | | | | | | | |
| | | | P-U-3 | 7 | 8-1/2 | CTC-2959886 | 377.03 |
| UNSPECIFIED APPLICATION | | | | | | | |
| | 1163092 | | P-UB-3 | 7 | 8 | CTC-1137478 | 899.12 |
| | 1U4777 | | P-UB-3 | 7 | 8 | CTC-1137478 | 899.12 |
| | 9T6082 | | P-U-3 | 7 | 8-1/2 | CTC-1417296 | 374.87 |
| MODEL 775E | | | | | | | |
| SUSPENSION FRONT | | | | | | | |
| | | | P-UB-3 | 7 | 8 | CTC-2950148 | 899.12 |

REPLACEMENT KITS FOR CATERPILLAR® EQUIPMENT

| Off-Highway Trucks | | | | | | | |
|-------------------------|--|--------------------------------|----------|-------------|--------------|--------------|---------|
| APPLICATION | CYL # | Misc-Parts, Instructions, etc. | CODE | ROD | BORE | KIT # | |
| MODEL 775E | | | | | | | |
| SUSPENSION FRONT | | | | | | | |
| | BEC321-471 | | P-U-1 | 7 | 8 | CTC-2976847 | 1312.35 |
| MODEL 775F | | | | | | | |
| HOIST | | | | | | | |
| | DLS1-396 | | | | | | |
| | 1455155 | | I-U-10 | 5, 7-1/2 | 6-1/2, 8-1/4 | CTC-3367372 | 595.79 |
| | DLS397-UP; EYG1-UP | | | | | | |
| | 2960738 | | I-U-10 | 5, 7-1/2 | 6-1/2, 8-1/4 | CTC-3367372 | 595.79 |
| STEERING | | | | | | | |
| | DLS1-UP; EYG1-UP | | | | | | |
| | 1053357 | | P-UB-10 | 2-1/2 | 3-1/2 | CTC-2949583 | 96.23 |
| | 4172644 | | P-UB-10 | 2-1/2 | 3-1/2 | CTC-SK100095 | 120.72 |
| SUSPENSION FRONT | | | | | | | |
| | DLS1-396 | | | | | | |
| | 2645784 | | P-U-1 | 7 | 8 | CTC-2976847 | 1312.35 |
| | DLS397-UP; EYG1-UP | | | | | | |
| | 2960736 | | P-U-1 | 7 | 8 | CTC-2976847 | 1312.35 |
| SUSPENSION REAR | | | | | | | |
| | DLS1-396 | | | | | | |
| | 2645786 | | P-UB-1 | 7 | 8-1/2 | CTC-2976848 | 390.42 |
| | DLS397-UP; EYG1-UP | | | | | | |
| | 2960737 | | P-UB-1 | 7 | 8-1/2 | CTC-2976848 | 390.42 |
| MODEL 775G | | | | | | | |
| HOIST | | | | | | | |
| | MJS1-UP; RFM1-UP | | | | | | |
| | 1455155 | | I-U-10 | 5, 7-1/2 | 6-1/2, 8-1/4 | CTC-3367372 | 595.79 |
| | MJS1-UP; RFM1-UP; T5F1-UP; T5W1-UP | | | | | | |
| | 2960738 | | I-U-10 | 5, 7-1/2 | 6-1/2, 8-1/4 | CTC-3367372 | 595.79 |
| STEERING | | | | | | | |
| | MJS1-UP; RFM1-UP | | | | | | |
| | 4172644 | | P-UB-10 | 2-1/2 | 3-1/2 | CTC-SK100095 | 120.72 |
| | MJS1-UP; RFM1-UP; T5F1-UP; T5W1-UP | | | | | | |
| | 1053357 | | P-UB-10 | 2-1/2 | 3-1/2 | CTC-2949583 | 96.23 |
| | 3348695 | | P-UB-10 | 2-1/2 | 3-1/2 | CTC-4208531 | 116.46 |
| SUSPENSION FRONT | | | | | | | |
| | MJS1-384; RFM1-617; T5F1-101; T5W1-110 | | | | | | |
| | 3344225 | | P-U-1 | 7 | 8 | CTC-4206848 | 671.05 |
| | MJS385-UP; RFM618-UP; T5F102-UP; T5W111-UP | | | | | | |
| | 4415252 | | P-U-1 | 7 | 8 | CTC-4206848 | 671.05 |
| SUSPENSION REAR | | | | | | | |
| | MJS1-UP; RFM1-UP; T5W1-UP | | | | | | |
| | 3344228 | | P-UB-1 | 7 | 8-1/2 | CTC-3626460 | 328.56 |
| MODEL 776C, 776D | | | | | | | |
| STEERING | | | | | | | |
| | 8J9912 | | P-UB-10 | 2-3/8 | 4 | CTC-8T1389 | 65.32 |
| SUSPENSION REAR | | | | | | | |
| | | | P-UB-1 | 9 | 10-1/2 | CTC-2959885 | 361.84 |
| | 8J8865 | | I,P-U-13 | 9 | 10-1/2 | CTC-1137482 | 489.69 |
| MODEL 777C | | | | | | | |
| HOIST | | | | | | | |
| | 8J8924 | | I-UB-10 | 5-1/2 | 9-1/2 | CTC-8T1543 | 631.33 |
| | 4XJ1-UP | | | | | | |
| | 1711232 | | I-U-10 | 5-1/2,8-1/2 | 7-1/2,9-1/2 | CTC-3365288 | 543.08 |
| STEERING | | | | | | | |
| | 8J9912 | | P-UB-10 | 2-3/8 | 4 | CTC-8T1389 | 65.32 |

REPLACEMENT KITS FOR CATERPILLAR® EQUIPMENT

| Off-Highway Trucks | | | | | | | |
|--------------------|---|--------------------------------|-----------|---------------|---------------|--------------|---------|
| APPLICATION | CYL # | Misc-Parts, Instructions, etc. | CODE | ROD | BORE | KIT # | |
| MODEL 777C | | | | | | | |
| SUSPENSION FRONT | | | | | | | |
| | 4T4756 | | I,P-U-3 | 9 | 10-3/4 | CTC-1137463 | 2350.74 |
| SUSPENSION REAR | | | | | | | |
| | | | P-UB-1 | 9 | 10-1/2 | CTC-2959885 | 361.84 |
| | 8J8865 | | I,P-U-13 | 9 | 10-1/2 | CTC-1137482 | 489.69 |
| MODEL 777D | | | | | | | |
| HOIST | | | | | | | |
| | 8J8924 | | I-UB-10 | 5-1/2 | 9-1/2 | CTC-8T1543 | 631.33 |
| | 2YW1-UP; 3PR1-UP; AGC410-UP; AGY1-UP; FKR1-UP | | | | | | |
| | 1711232 | | I-U-10 | 5-1/2,8-1/2 | 7-1/2,9-1/2 | CTC-3365288 | 543.08 |
| | 3PR1-UP; AGC1-409; AGY1-UP | | | | | | |
| | 1804327 | | I-SP-10 | 5-1/2,8-1/2 | 7-1/2,9-1/2 | CTC-4219022 | 291.69 |
| STEERING | | | | | | | |
| | 1052440 | | I-UB-10 | 2-1/2 | 3-1/2 | CTC-3E3299 | 183.90 |
| | 8J9912 | | P-UB-10 | 2-3/8 | 4 | CTC-8T1389 | 65.32 |
| SUSPENSION FRONT | | | | | | | |
| | 4T4756 | | I,P-U-3 | 9 | 10-3/4 | CTC-1137463 | 2350.74 |
| SUSPENSION REAR | | | | | | | |
| | | | P-UB-1 | 9 | 10-1/2 | CTC-2959885 | 361.84 |
| | 8J8865 | | I,P-U-13 | 9 | 10-1/2 | CTC-1137482 | 489.69 |
| MODEL 777F | | | | | | | |
| HOIST | | | | | | | |
| | JRP1-UP | | | | | | |
| | 1711232 | | I-U-10 | 5-1/2,8-1/2 | 7-1/2,9-1/2 | CTC-3365288 | 543.08 |
| STEERING | | | | | | | |
| | | | P-UB-10 | 2-1/2 | 3-1/2 | CTC-2949583 | 96.23 |
| SUSPENSION FRONT | | | | | | | |
| | | | P-UB-1 | 9 | 10-3/4 | CTC-3087849 | 2056.88 |
| SUSPENSION REAR | | | | | | | |
| | | | P-U-1 | 9 | 10-1/2 | CTC-2976849 | 537.95 |
| MODEL 777G | | | | | | | |
| HOIST | | | | | | | |
| | RDR1-UP; T4Y1-UP; T5A1-UP; TNM1-UP | | | | | | |
| | 2960608 | | I-U-10 | 5-1/2,8-1/2 | 7-1/2,9-1/2 | CTC-3365288 | 543.08 |
| STEERING LH | | | | | | | |
| | RDR1-UP; T4Y1-UP; T5A1-UP; TNM1-UP | | | | | | |
| | 3348703 | | P-UB-10 | 2-1/2 | 3-1/2 | CTC-SK100023 | 238.36 |
| STEERING RH | | | | | | | |
| | RDR1-UP; T4Y1-UP; T5A1-UP; TNM1-UP | | | | | | |
| | 3822003 | | P-UB-10 | 2-1/2 | 3-1/2 | CTC-4389145 | 211.07 |
| SUSPENSION FRONT | | | | | | | |
| | RDR1-UP; T4Y1-UP; T5A1-UP; TNM1-UP | | | | | | |
| | 3356351 | | P-UB-1 | 9 | 10-3/4 | CTC-SK100021 | 1583.84 |
| | 3356352 | | P-UB-1 | 9 | 10-3/4 | CTC-SK100021 | 1583.84 |
| SUSPENSION REAR | | | | | | | |
| | RDR1-UP; T4Y1-UP; T5A1-UP; TNM1-UP | | | | | | |
| | 3356354 | | P-UB-1 | 9 | 10-1/2 | CTC-SK100022 | 524.23 |
| MODEL 783B | | | | | | | |
| HOIST | | | | | | | |
| | | Includes extra parts | I-SP-3,10 | 7-1/4, 10-1/2 | 9-1/4, 11-1/2 | CTC-0715438 | 1009.71 |
| | | | I-SP-3,10 | 7-1/4, 10-1/2 | 9-1/4, 11-1/2 | CTC-8T4939 | 1060.54 |
| STEERING | | | | | | | |
| | | | P-UB-10 | 2-1/2 | 5 | CTC-1304012 | 247.74 |
| | | Serial# 8GB1-316 | P-UB-10 | 2-1/2 | 5 | CTC-7X2658 | 230.88 |

REPLACEMENT KITS FOR CATERPILLAR® EQUIPMENT

| Off-Highway Trucks | | | | | | | |
|------------------------------|----------------------------------|--|-----------|---------------|---------------|-------------|---------|
| APPLICATION | CYL # | Misc-Parts, Instructions, etc. | CODE | ROD | BORE | KIT # | |
| MODEL 783B | | | | | | | |
| SUSPENSION FRONT | | | | | | | |
| | | Insert wiper kit | I-U-3 | 11 | 13-1/8 | CTC-0711436 | 1647.06 |
| | | Press-in wiper kit | P-U-3 | 11 | 13-1/8 | CTC-0712436 | 1760.72 |
| | | Combination kit | I,P-U-3 | 11 | 13-1/8 | CTC-1137476 | 2200.97 |
| UNSPECIFIED APPLICATION | | | | | | | |
| | 4T5931 | | I-SP-3,10 | 7-1/4, 10-1/2 | 9-1/4, 11-1/2 | CTC-8T4939 | 1060.54 |
| MODEL 784B, 784C | | | | | | | |
| STEERING | | | | | | | |
| | 6E5857 | | P-UB-10 | 2-1/2 | 5 | CTC-1304012 | 247.74 |
| MODEL 785, 785B, 785C | | | | | | | |
| HOIST | | | | | | | |
| | | Includes extra parts | I-SP-3,10 | 7-1/4, 10-1/2 | 9-1/4, 11-1/2 | CTC-0715438 | 1009.71 |
| | | | I-SP-3,10 | 7-1/4, 10-1/2 | 9-1/4, 11-1/2 | CTC-8T4939 | 1060.54 |
| STEERING | | | | | | | |
| | | | P-UB-10 | 2-1/2 | 5 | CTC-1304012 | 247.74 |
| | | | P-UB-10 | 2-1/2 | 5 | CTC-7X2658 | 230.88 |
| SUSPENSION FRONT | | | | | | | |
| | | Insert wiper kit | I-U-3 | 11 | 13-1/8 | CTC-0711436 | 1647.06 |
| | | Press-in wiper kit | P-U-3 | 11 | 13-1/8 | CTC-0712436 | 1760.72 |
| | | Combination kit | I,P-U-3 | 11 | 13-1/8 | CTC-1137476 | 2200.97 |
| UNSPECIFIED APPLICATION | | | | | | | |
| | 4T5931 | 785C | I-SP-3,10 | 7-1/4, 10-1/2 | 9-1/4, 11-1/2 | CTC-8T4939 | 1060.54 |
| MODEL 785C | | | | | | | |
| HOIST | | | | | | | |
| | 1HW1-UP; 5AZ1-UP | | | | | | |
| | 4T5931 | | I-U-10 | 7-1/4,10-1/2 | 9-1/4,11-1/2 | CTC-3573798 | 1036.19 |
| STEERING | | | | | | | |
| | APX1-UP; 1HW1-UP; 5AZ1-UP | | | | | | |
| | 1U3182 | 1.55" wide wear ring, rod bearing incl | P-UB-10 | 2-1/2 | 5 | CTC-2422542 | 110.85 |
| | 1U3182 | 1.11" wide wear ring, rod bearing incl | P-UB-10 | 2-1/2 | 5 | CTC-2430384 | 111.22 |
| | 1U3182 | 1.55" wide wear ring | P-UB-10 | 2-1/2 | 5 | CTC-2430386 | 96.66 |
| SUSPENSION FRONT | | | | | | | |
| | 1HW1-UP; 5AZ1-UP | | | | | | |
| | 1U4605 | Insert Wiper | I-U-1 | 11 | 13-1/8 | CTC-3367368 | 1717.31 |
| | APX1-367; 1HW1-UP; 5AZ1-399 | | | | | | |
| | 1U4605 | Press-in Wiper | P-U-1 | 11 | 13-1/8 | CTC-3408491 | 1796.88 |
| | APX368-UP; 5AZ400-UP | | | | | | |
| | 2299872 | | P-U-1 | 11 | 13-1/8 | CTC-3408491 | 1796.88 |
| | APX605-UP; APX1618-UP; 5AZ428-UP | | | | | | |
| | 3117785 | | P-U-1 | 11 | 13-1/8 | CTC-3408491 | 1796.88 |
| SUSPENSION REAR | | | | | | | |
| | APX1-367; 1HW1-UP; 5AZ1-399 | | | | | | |
| | 1072860 | | P-U-1 | 11 | 12-1/2 | CTC-3406080 | 472.47 |
| | APX1618-UP; 5AZ428-UP | | | | | | |
| | 3117788 | | P-U-1 | 11 | 12-1/2 | CTC-3406080 | 472.47 |
| | APX368-UP; 5AZ400-UP | | | | | | |
| | 2299890 | | P-U-1 | 11 | 12-1/2 | CTC-3406080 | 472.47 |
| MODEL 785D | | | | | | | |
| HOIST | | | | | | | |
| | DMC1-142; MSY1-188 | | | | | | |
| | 4T5931 | | I-U-10 | 7-1/4,10-1/2 | 9-1/4,11-1/2 | CTC-3573798 | 1036.19 |
| | DMC143-UP; MSY187-UP | | | | | | |
| | 3117786 | | I-U-10 | 7-1/4,10-1/2 | 9-1/4,11-1/2 | CTC-4220025 | 1030.29 |

CATERPILLAR®

REPLACEMENT KITS FOR CATERPILLAR® EQUIPMENT

| Off-Highway Trucks | | | | | | | |
|------------------------------|---|--------------------------------|-----------|-----------|---------------|--------------|---------|
| APPLICATION | CYL # | Misc-Parts, Instructions, etc. | CODE | ROD | BORE | KIT # | |
| MODEL 785D | | | | | | | |
| STEERING | | | | | | | |
| | DMC1-UP; MSY1-UP | | | | | | |
| 1U3182 | | | P-UB-10 | 2-1/2 | 5 | CTC-2422542 | 110.85 |
| 1U3182 | | | P-UB-10 | 2-1/2 | 5 | CTC-2430384 | 111.22 |
| 1U3182 | | | P-UB-10 | 2-1/2 | 5 | CTC-2430386 | 96.66 |
| SUSPENSION FRONT | | | | | | | |
| | DMC1-UP; MSY1-UP | | | | | | |
| 2299872 | | | P-U-1 | 11 | 13-1/8 | CTC-3408491 | 1796.88 |
| 3117784 | | | P-U-1 | 11 | 13-1/8 | CTC-3408491 | 1796.88 |
| 3117785 | | | P-U-1 | 11 | 13-1/8 | CTC-3408491 | 1796.88 |
| SUSPENSION REAR | | | | | | | |
| | DMC1-UP; MSY1-UP | | | | | | |
| 3117788 | | | P-U-1 | 11 | 12-1/2 | CTC-3406080 | 472.47 |
| 3117789 | | | P-U-1 | 11 | 12-1/2 | CTC-3406080 | 472.47 |
| MODEL 786 | | | | | | | |
| STEERING | | | | | | | |
| 7J9718 | | | P-UB-10 | 2-1/4 | 5 | CTC-7X2729 | 222.67 |
| 7J9984 | | | P-UB-10 | 2-1/4 | 5 | CTC-7X2729 | 222.67 |
| TILT LH | | | | | | | |
| 7J9762 | | | P-UB-10 | 2-3/4 | 6-1/2 | CTC-7X2689 | 220.86 |
| TILT RH | | | | | | | |
| 7J9761 | | | P-UB-10 | 2-3/4 | 6-1/2 | CTC-7X2689 | 220.86 |
| MODEL 787B | | | | | | | |
| HOIST | | | | | | | |
| 9T2807 | spring loaded rod u-seals | | I-U-10 | 7-1/4, 11 | 9-1/2, 12-1/4 | CTC-3541312 | 1220.90 |
| 9T2807 | flat cross-section rod seals | | I-SP-3,10 | 7-1/4, 11 | 9-1/2, 12-1/4 | CTC-8C5788 | 1449.71 |
| STEERING | | | | | | | |
| 4T6797 | | | P-UB-10 | 2-3/4 | 6 | CTC-1363337 | 106.93 |
| SUSPENSION | | | | | | | |
| 1061801 | | | I,P-U-3 | 12-1/2 | 14-1/4 | CTC-1137480 | 918.76 |
| MODEL 789, 789B, 789C | | | | | | | |
| HOIST | | | | | | | |
| 9T2807 | spring loaded rod u-seals | | I-U-10 | 7-1/4, 11 | 9-1/2, 12-1/4 | CTC-3541312 | 1220.90 |
| 9T2807 | flat cross-section rod seals | | I-SP-3,10 | 7-1/4, 11 | 9-1/2, 12-1/4 | CTC-8C5788 | 1449.71 |
| STEERING | | | | | | | |
| | | | P-UB-10 | 2-3/4 | 6 | CTC-2440953 | 140.53 |
| SUSPENSION FRONT | | | | | | | |
| | Insert wiper kit | | I-U-3 | 12-1/2 | 15-1/8 | CTC-0717440 | 2380.98 |
| | Press-in wiper kit | | P-U-3 | 12-1/2 | 15-1/8 | CTC-0718440 | 2380.66 |
| | Combination kit | | I,P-U-3 | 12-1/2 | 15-1/8 | CTC-1131073 | 2677.25 |
| SUSPENSION REAR | | | | | | | |
| | Head# 4T4761 | | I-U-3 | 12-1/2 | 14-1/4 | CTC-0719441 | 1002.96 |
| | Head# 1060904, 1061807, 1591977 | | P-U-3 | 12-1/2 | 14-1/4 | CTC-0720441 | 824.14 |
| | Head# 4T4761, 1060904, 1061807, 1591977 | | I,P-U-3 | 12-1/2 | 14-1/4 | CTC-1137480 | 918.76 |
| UNSPECIFIED APPLICATION | | | | | | | |
| 1061801 | 789C | | I,P-U-3 | 12-1/2 | 14-1/4 | CTC-1137480 | 918.76 |
| 4T4844 | 789B, 789C | | I,P-U-3 | 12-1/2 | 14-1/4 | CTC-1137480 | 918.76 |
| MODEL 789D | | | | | | | |
| HOIST | | | | | | | |
| | SHH1-UP; SPD1-UP | | | | | | |
| 9T2807 | spring loaded rod u-seals | | I-U-10 | 7-1/4, 11 | 9-1/2, 12-1/4 | CTC-3541312 | 1220.90 |
| 9T2807 | flat cross-section rod seals | | I-SP-3,10 | 7-1/4, 11 | 9-1/2, 12-1/4 | CTC-8C5788 | 1449.71 |
| STEERING | | | | | | | |
| | SHH1-UP; SPD1-UP | | | | | | |
| 4T6797 | | | P-UB-10 | 2-3/4 | 6 | CTC-SK100064 | 260.18 |

REPLACEMENT KITS FOR CATERPILLAR® EQUIPMENT

| Off-Highway Trucks | | | | | | | |
|-------------------------|-------|---|------------|---------------|------------|--------------|---------|
| APPLICATION | CYL # | Misc-Parts, Instructions, etc. | CODE | ROD | BORE | KIT # | |
| MODEL 789D | | | | | | | |
| SUSPENSION FRONT | | | | | | | |
| SHH1-306; SPD1-308 | | | | | | | |
| 4T5182 | | | P-SP,U-1 | 12-1/2 | 15-1/8 | CTC-SK100062 | 2384.80 |
| SHH1-UP; SPD1-UP | | | | | | | |
| 3477423 | | | P-SP,U-1 | 12-1/2 | 15-1/8 | CTC-SK100063 | 2410.33 |
| 3524023 | | | P-SP,U-1 | 12-1/2 | 15-1/8 | CTC-SK100063 | 2410.33 |
| 6E1921 | | | P-SP,U-1 | 12-1/2 | 15-1/8 | CTC-SK100062 | 2384.80 |
| SUSPENSION REAR | | | | | | | |
| SHH1-UP; SPD1-UP | | | | | | | |
| 1061801 | | | P-U-1 | 12-1/2 | 14-1/4 | CTC-3802685 | 479.87 |
| 2292346 | | | P-U-1 | 12-1/2 | 14-1/4 | CTC-3802685 | 479.87 |
| MODEL 793, 793B | | | | | | | |
| HOIST | | | | | | | |
| | | | I-SP-10, 3 | 8-3/4, 12-1/2 | 11, 13-3/4 | CTC-1125343 | 1183.13 |
| STEERING | | | | | | | |
| | | | P-UB-10 | 2-3/4 | 5-1/2 | CTC-2601518 | 168.74 |
| 9T8912 | | | P-UB-10 | 2-3/4 | 5-1/2 | CTC-3234199 | 252.58 |
| SUSPENSION FRONT | | | | | | | |
| | | Combination kit | I,P-U-3 | 13-1/2 | 16-1/8 | CTC-1137472 | 2645.47 |
| | | Insert wiper kit | I-U-3 | 13-1/2 | 16-1/8 | CTC-7751023 | 2329.44 |
| | | Press-in wiper kit | P-U-3 | 13-1/2 | 16-1/8 | CTC-7761023 | 2293.33 |
| SUSPENSION REAR | | | | | | | |
| | | Head# 4T4761 | I-U-3 | 12-1/2 | 14-1/4 | CTC-0719441 | 1002.96 |
| | | Head# 1060904, 1061807, 1591977 | P-U-3 | 12-1/2 | 14-1/4 | CTC-0720441 | 824.14 |
| | | Head# 1946859; kit includes rod wear ring | P-U-3 | 12-1/2 | 14-1/4 | CTC-0778441 | 2256.10 |
| | | Head# 4T4761, 1060904, 1061807, 1591977 | I,P-U-3 | 12-1/2 | 14-1/4 | CTC-1137480 | 918.76 |
| MODEL 793C | | | | | | | |
| HOIST | | | | | | | |
| | | | I-SP-3,10 | 7-3/4, 11-1/2 | 10, 12-3/4 | CTC-1531282 | 939.12 |
| STEERING | | | | | | | |
| | | | P-UB-10 | 2-3/4 | 5-1/2 | CTC-2601518 | 168.74 |
| SUSPENSION FRONT | | | | | | | |
| | | Combination kit | I,P-U-3 | 13-1/2 | 16-1/8 | CTC-1137472 | 2645.47 |
| | | Insert wiper kit | I-U-3 | 13-1/2 | 16-1/8 | CTC-7751023 | 2329.44 |
| | | Press-in wiper kit | P-U-3 | 13-1/2 | 16-1/8 | CTC-7761023 | 2293.33 |
| SUSPENSION REAR | | | | | | | |
| | | Head# 4T4761 | I-U-3 | 12-1/2 | 14-1/4 | CTC-0719441 | 1002.96 |
| | | Head# 1060904, 1061807, 1591977 | P-U-3 | 12-1/2 | 14-1/4 | CTC-0720441 | 824.14 |
| | | Head# 4T4761, 1060904, 1061807, 1591977 | I,P-U-3 | 12-1/2 | 14-1/4 | CTC-1137480 | 918.76 |
| UNSPECIFIED APPLICATION | | | | | | | |
| 6E1101 | | | I,P-U-3 | 12-1/2 | 14-1/4 | CTC-1137480 | 918.76 |
| MODEL 793D | | | | | | | |
| HOIST | | | | | | | |
| FDB1-UP | | | | | | | |
| 1212071 | | | I-SP-3,10 | 7-3/4, 11-1/2 | 10, 12-3/4 | CTC-1531282 | 939.12 |
| STEERING | | | | | | | |
| FDB155-UP | | | | | | | |
| 9T8912 | | | P-UB-10 | 2-3/4 | 5-1/2 | CTC-1570287 | 203.88 |
| FDB1-UP | | | | | | | |
| 9T8912 | | | P-UB-10 | 2-3/4 | 5-1/2 | CTC-1937639 | 164.75 |
| SUSPENSION FRONT | | | | | | | |
| FDB1-UP | | | | | | | |
| 2848014 | | | P-U-1 | 13-1/2 | | CTC-3367342 | 3296.50 |
| 2848015 | | | P-U-1 | 13-1/2 | | CTC-3367342 | 3296.50 |

REPLACEMENT KITS FOR CATERPILLAR® EQUIPMENT

| Off-Highway Trucks | | | | | | | |
|--------------------|------------------|--------------------------------|---------|--------|--------|-------------|---------|
| APPLICATION | CYL # | Misc-Parts, Instructions, etc. | CODE | ROD | BORE | KIT # | |
| MODEL 793D | | | | | | | |
| SUSPENSION REAR | | | | | | | |
| | FDB1-UP | | | | | | |
| | 2848016 | | P-U-1 | 12-1/2 | | CTC-3802688 | 1336.66 |
| | 2848017 | | P-U-1 | 12-1/2 | | CTC-3802688 | 1336.66 |
| MODEL 797 | | | | | | | |
| STEERING | | | | | | | |
| | 5YW1-UP | | | | | | |
| | 1523601 | | P-UB-10 | 3-1/4 | 6-1/4 | CTC-2450620 | 179.73 |
| | 2317761 | | P-UB-10 | 3-1/2 | 7 | CTC-2350974 | 187.64 |
| MODEL 797B | | | | | | | |
| STEERING | | | | | | | |
| | JSM1-UP | | | | | | |
| | 1946171 | | P-UB-10 | 3-1/2 | 7 | CTC-2350974 | 187.64 |
| MODEL 797F | | | | | | | |
| STEERING LH | | | | | | | |
| | LAJ1-UP; WSP1-UP | | | | | | |
| | 1946171 | | P-UB-10 | 3-1/2 | 7 | CTC-2350974 | 187.64 |
| Pipelayers | | | | | | | |
| APPLICATION | CYL # | Misc-Parts, Instructions, etc. | CODE | ROD | BORE | KIT # | List \$ |
| MODEL 572G | | | | | | | |
| DOZER LIFT LH | | | | | | | |
| | 1U2136 | | P-UB-10 | 2-1/2 | 4-3/4 | CTC-7X2660 | 246.36 |
| DOZER LIFT RH | | | | | | | |
| | 1U2135 | | P-UB-10 | 2-1/2 | 4-3/4 | CTC-7X2660 | 246.36 |
| PUMP | | | | | | | |
| | 38A; 40U; 78V | | | | | | |
| | 9J5047 | | | | | CTC-9J5109 | 43.99 |
| TRACK ADJUSTER | | | | | | | |
| | | | TRK ADJ | | | CTC-FIG3401 | 76.59 |
| MODEL 583R | | | | | | | |
| COUNTERWEIGHT | | | | | | | |
| | 1333850 | | P-UB-10 | 2-1/8 | 4 | CTC-1305923 | 187.39 |
| | 2XS1-UP | | | | | | |
| | 1333850 | | P-UB-10 | 2-1/8 | 4 | CTC-2465929 | 59.30 |
| | 2XS1-UP; CMX1-UP | | | | | | |
| | 1333850 | | P-UB-10 | 2-1/8 | 4 | CTC-2465933 | 142.15 |
| MODEL 583T | | | | | | | |
| COUNTERWEIGHT | | | | | | | |
| | 2XS1-UP | | | | | | |
| | 1333850 | | P-UB-10 | 2-1/8 | 4 | CTC-2465929 | 59.30 |
| | 2XS1-UP; CMX1-UP | | | | | | |
| | 1333850 | | P-UB-10 | 2-1/8 | 4 | CTC-2465933 | 142.15 |
| MODEL 587R | | | | | | | |
| COUNTERWEIGHT | | | | | | | |
| | BXL1-UP; FAT1-UP | | | | | | |
| | | | P-UB-10 | 50 mm | 120 mm | CTC-3087847 | 217.37 |
| MODEL 587T | | | | | | | |
| COUNTERWEIGHT | | | | | | | |
| | BXL1-UP; FAT1-UP | | | | | | |
| | | | P-UB-10 | 50 mm | 120 mm | CTC-3087847 | 217.37 |
| MODEL 589 | | | | | | | |
| COUNTERWEIGHT | | | | | | | |
| | 3G2918 | | P-V-10 | 2 | 4-1/2 | CTC-7X2700 | 97.34 |
| MODEL 591 | | | | | | | |
| COUNTERWEIGHT | | | | | | | |
| | 3G9729 | | P-V-10 | 2 | 4-1/2 | CTC-7X2700 | 97.34 |

REPLACEMENT KITS FOR CATERPILLAR® EQUIPMENT

| Pipelayers | | | | | | | |
|-----------------------------|---|--------------------------------|---------|-------|--------|--------------|---------|
| APPLICATION | CYL # | Misc-Parts, Instructions, etc. | CODE | ROD | BORE | KIT # | |
| MODEL MD7, MD8, MDW8 | | | | | | | |
| COUNTERWEIGHT | | | | | | | |
| | 3G3505 | | P-UB-10 | 2 | 4-1/2 | CTC-7X2768 | 121.61 |
| MODEL PL61 | | | | | | | |
| COUNTERWEIGHT | | | | | | | |
| | WGS1-UP | | | | | | |
| | 2966784 | | P-UB-10 | 60 mm | 100 mm | CTC-SK100001 | 182.89 |
| TRACK ADJUSTER | | | | | | | |
| | WGS1-UP | | | | | | |
| | | | TRK ADJ | | | CTC-SK100002 | 36.55 |
| MODEL PL83 | | | | | | | |
| COUNTERWEIGHT | | | | | | | |
| | KSD1-UP | | | | | | |
| | | | P-UB-10 | 2-1/8 | 4 | CTC-2465933 | 142.15 |
| MODEL PL87 | | | | | | | |
| COUNTERWEIGHT | | | | | | | |
| | KKJ1-UP | | | | | | |
| | | | P-UB-10 | 50 mm | 120 mm | CTC-3087847 | 217.37 |
| Scrapers | | | | | | | |
| APPLICATION | CYL # | Misc-Parts, Instructions, etc. | CODE | ROD | BORE | KIT # | List \$ |
| MODEL 611 | | | | | | | |
| APRON | | | | | | | |
| | 6SZ1-UP; 7WZ1-UP | | | | | | |
| | 1706079 | | P-UB-10 | 2-1/2 | 4-1/2 | CTC-2310898 | 103.44 |
| BOWL | | | | | | | |
| | 3G5679 | | P-UB-10 | 2-1/4 | 5 | CTC-9X6392 | 219.47 |
| | 6SZ1-UP; 7WZ1-UP | | | | | | |
| | 3G5679 | | P-UB-10 | 2-1/4 | 5 | CTC-2949581 | 107.26 |
| EJECTOR | | | | | | | |
| | 6SZ1-UP; 7WZ1-UP | | | | | | |
| | 1600624 | | P-UB-10 | 2-3/4 | 5-1/2 | CTC-SK100056 | 141.62 |
| LOAD | | | | | | | |
| | 3G7274 | | P-UB-10 | 2-1/4 | 4-3/4 | CTC-1318778 | 192.17 |
| | 6SZ1-UP; 7WZ1-UP | | | | | | |
| | 3G7274 | | P-UB-10 | 2-1/4 | 4-3/4 | CTC-2417580 | 228.17 |
| STEERING | | | | | | | |
| | 6E3566 | | P-UB-10 | 2-1/4 | 4-1/2 | CTC-1354392 | 192.54 |
| | 6SZ1-UP; 7WZ1-UP | | | | | | |
| | 6E3566 | | P-UB-10 | 2-1/4 | 4-1/2 | CTC-2417585 | 101.09 |
| MODEL 613C II | | | | | | | |
| BOWL | | | | | | | |
| | 8LJ1-UP; 92X1-UP; 93X1612-UP; LCZ1-UP; TJK1-UP | | | | | | |
| | 9T8252 | | P-UB-10 | 2 | 4 | CTC-2409538 | 94.69 |
| | 8LJ1-UP; 92X1-UP; 93X1-989; 93X1001-1001; 93X1003-1003; 93X1028-1031; 93X1033-1034 | | | | | | |
| | 1U3124 | | P-UB-10 | 2 | 4 | CTC-2406899 | 59.01 |
| | 8LJ1-UP; 92X1-UP; 93X990-1000; 93X1002-1002; 93X1004-1027; 93X1032-1032; 93X1035-1611 | | | | | | |
| | 1U3124 | | P-UB-10 | 2 | 4 | CTC-2339205 | 59.01 |
| EJECTOR | | | | | | | |
| | 8LJ1-UP; 92X1-UP; 93X1-1611 | | | | | | |
| | 1U2012 | | | 2-1/4 | 3-1/2 | CTC-2410903 | 106.13 |
| | 1U2012 | | | 2-1/4 | 3-1/2 | CTC-2418916 | 255.57 |
| | 8LJ1-UP; 92X1-UP; 93X1612-UP; TJK1-UP | | | | | | |
| | 9T8039 | | P-UB-10 | 2-1/4 | 3-1/2 | CTC-2350355 | 220.01 |
| FLOOR | | | | | | | |
| | 8LJ1-UP; 92X1-UP; 93X1-2779 | | | | | | |
| | 1U2157 | | P-UB-10 | 2-1/2 | 5 | CTC-2430386 | 96.66 |
| | 8LJ1-UP; 92X1-UP; 93X1-UP; TJK1-UP | | | | | | |
| | 1U2157 | | P-UB-10 | 2-1/2 | 5 | CTC-2430387 | 285.77 |

REPLACEMENT KITS FOR CATERPILLAR® EQUIPMENT

| Scrapers | | | | | | | |
|--|--------|--------------------------------|---------|-------|--------|--------------|--------|
| APPLICATION | CYL # | Misc-Parts, Instructions, etc. | CODE | ROD | BORE | KIT # | |
| MODEL 613C II | | | | | | | |
| STEERING | | | | | | | |
| 8LJ1-UP; 93X1-2779; LCZ1-UP; TJK1-UP | | | | | | | |
| | 6E2968 | | P-UB-10 | 2 | 3-1/2 | CTC-2281778 | 106.58 |
| 92X1798-UP; 93X1-UP; TJK1-UP | | | | | | | |
| | 9T7900 | | P-UB-10 | 2 | 4 | CTC-2409538 | 94.69 |
| 92X1-989; 92X998-1000; 92X1003-1003 | | | | | | | |
| | 1U2291 | | P-UB-10 | 2 | 4 | CTC-2406899 | 59.01 |
| 92X990-997; 92X1001-1002; 92X1004-1797 | | | | | | | |
| | 1U2291 | | P-UB-10 | 2 | 4 | CTC-2339205 | 59.01 |
| MODEL 613G | | | | | | | |
| BOWL | | | | | | | |
| DBE1-UP; ESB1-UP | | | | | | | |
| | | | P-UB-10 | 2 | 4 | CTC-2409538 | 94.69 |
| EJECTOR | | | | | | | |
| DBE1-UP; ESB1-UP | | | | | | | |
| | | | P-UB-10 | 2-1/4 | 3-1/2 | CTC-2350355 | 220.01 |
| YCB1-UP | | | | | | | |
| | | | P-UB-10 | 85 mm | 120 mm | CTC-SK100025 | 133.10 |
| FLOOR | | | | | | | |
| DBE1-UP; ESB1-UP | | | | | | | |
| | | | P-UB-10 | 65 mm | 130 mm | CTC-3087841 | 187.63 |
| STEERING | | | | | | | |
| DBE1-UP; ESB1-UP; YCB1-UP | | | | | | | |
| | | | P-UB-10 | 2 | 3-1/2 | CTC-2281778 | 106.58 |
| MODEL 613SC | | | | | | | |
| BOWL | | | | | | | |
| | 1U3124 | | P-UB-10 | 2 | 4 | CTC-1328816 | 127.22 |
| | 3G5679 | | P-UB-10 | 2-1/4 | 5 | CTC-9X6392 | 219.47 |
| | 7J6058 | | P-UB-10 | 2 | 4 | CTC-7X2755 | 156.44 |
| | 9T8252 | | P-UB-10 | 2 | 4 | CTC-1328816 | 127.22 |
| EJECTOR | | | | | | | |
| | 1U2012 | | P-UB-10 | 2-1/4 | 3-1/2 | CTC-1358166 | 222.91 |
| FLOOR | | | | | | | |
| | 1U2157 | | P-UB-10 | 2-1/2 | 5 | CTC-1315118 | 233.60 |
| MODEL 615C II | | | | | | | |
| ACCUMULATOR | | | | | | | |
| 46Z1-UP; 2XG1-UP; 47Z1-UP | | | | | | | |
| | | Piston 9J9318 w/o wear ring | N-N-10 | | 5 | CTC-SK100057 | 41.94 |
| 46Z1-UP; 5TF1-UP; 9XG1-UP; 2XG1-UP; 47Z1-UP | | | | | | | |
| | | Piston 9T1440 w/ wear ring | N-N-10 | | 5 | CTC-SK100059 | 104.27 |
| BOWL LIFT | | | | | | | |
| 46Z1-UP; 5TF1-UP; 9XG1-UP; 2XG1-897, 47Z1-UP | | | | | | | |
| | 3G5679 | Piston 7J5525 | P-UB-10 | 2-1/4 | 5 | CTC-2410895 | 83.89 |
| | 3G5679 | Piston 9T8563 | P-UB-10 | 2-1/4 | 5 | CTC-2949581 | 107.26 |
| 46Z1-UP; 5TF1-UP; 9XG1-UP; 2XG898-UP | | | | | | | |
| | 3G5679 | | P-UB-10 | 2-1/4 | 5 | CTC-2949581 | 107.26 |
| EJECTOR | | | | | | | |
| 46Z1-UP; 5TF1-UP; 9XG1-UP; 2XG1-UP; 47Z1-UP | | | | | | | |
| | 3G3892 | | | 2-1/2 | 4-1/4 | CTC-2430393 | 254.92 |
| 46Z1-UP; 5TF1-UP; 9XG1-UP; 47Z1-UP | | | | | | | |
| | 3G3892 | | P-UB-10 | 2-1/2 | 4-1/4 | CTC-2422546 | 85.23 |
| FLOOR/DOOR | | | | | | | |
| 46Z1-UP; 5TF1-UP; 9XG1-UP | | | | | | | |
| | 3G3883 | | | 2-3/4 | 5-1/2 | CTC-2285274 | 297.31 |
| 46Z1-UP; 5TF1-UP; 9XG1-UP; 2XG1-897, 47Z1-UP | | | | | | | |
| | 3G3883 | 1 Buffer Ring | | 2-3/4 | 5-1/2 | CTC-2285275 | 254.10 |

REPLACEMENT KITS FOR CATERPILLAR® EQUIPMENT

| Scrapers | | | | | | | |
|--|---------|--------------------------------|---------|-------|-------|--------------|--------|
| APPLICATION | CYL # | Misc-Parts, Instructions, etc. | CODE | ROD | BORE | KIT # | |
| MODEL 615C II | | | | | | | |
| FLOOR/DOOR | | | | | | | |
| 46Z1-UP; 5TF1-UP; 9XG1-UP; 47Z1-UP | | | | | | | |
| | 3G3883 | 3 Buffer Rings | P-UB-10 | 2-3/4 | 5-1/2 | CTC-SK100035 | 85.77 |
| LOAD | | | | | | | |
| 46Z1-UP; 5TF1-UP; 2XG1-UP; 47Z1-UP | | | | | | | |
| | 3G7274 | | P-UB-10 | 2-1/4 | 4-3/4 | CTC-2410902 | 105.94 |
| 46Z1-UP; 5TF1-UP; 9XG1-UP; 2XG1-UP; 47Z1-UP | | | | | | | |
| | 3G7274 | | P-UB-10 | 2-1/4 | 4-3/4 | CTC-2417580 | 228.17 |
| STEERING | | | | | | | |
| 46Z1-UP; 5TF1-UP; 2XG1-UP; 47Z1-UP | | | | | | | |
| | 5J1326 | | P-UB-10 | 2-1/4 | 5 | CTC-2410895 | 83.89 |
| 9XG1-UP; 2XG1-UP; 47Z1-UP | | | | | | | |
| | 6E3566 | | P-UB-10 | 2-1/4 | 4-1/2 | CTC-2417585 | 101.09 |
| MODEL 615SC | | | | | | | |
| BOWL | | | | | | | |
| | 3G5679 | | P-UB-10 | 2-1/4 | 5 | CTC-7X2729 | 222.67 |
| | 3G5679 | | P-UB-10 | 2-1/4 | 5 | CTC-9X6392 | 219.47 |
| EJECTOR | | | | | | | |
| | 3G3892 | | P-UB-10 | 2-1/2 | 4-1/4 | CTC-7X2663 | 67.75 |
| STEERING | | | | | | | |
| | 5J1326 | | P-UB-10 | 2-1/4 | 5 | CTC-7X2729 | 222.67 |
| MODEL 621F | | | | | | | |
| ACCUMULATOR | | | | | | | |
| 2PD1-1030; 6AB1-1522; 8PL1-UP; 2TF1-UP; 5JK1-UP; 6BB1-UP; 9NL1-UP | | | | | | | |
| | | | N-N-10 | | 5 | CTC-SK100059 | 104.27 |
| APRON | | | | | | | |
| 2PD1-UP; 4SK1-UP; 6AB1-UP; 8PL1-UP; 2TF1-UP; 6BB1-1234 | | | | | | | |
| | 5J0778 | | | 2-3/4 | 7-1/4 | CTC-2440957 | 389.64 |
| 2PD1-UP; 4SK1-UP; 6AB1-UP; 8PL1-UP; 5JK1-UP; 6BB1235-UP; 9NL1-UP | | | | | | | |
| | 6E3690 | | | 2-3/4 | 7-1/4 | CTC-2440954 | 207.96 |
| 2PD1-UP; 4SK1-UP; 6AB1-UP; 8PL1-UP; 5JK1-UP; 6BB1-UP; 9NL1-UP | | | | | | | |
| | 5J0778 | | | 2-3/4 | 7-1/4 | CTC-2440954 | 207.96 |
| BOWL | | | | | | | |
| 2PD1-UP; 4SK1-UP; 6AB1-UP; 8PL1-UP; 2TF1-UP; 5JK1-UP; 6BB1-UP; 9NL1-UP | | | | | | | |
| | 5J2449 | | | 2-1/2 | 6 | CTC-2422545 | 325.26 |
| | 5J2450 | | | 2-1/2 | 6 | CTC-2422545 | 325.26 |
| EJECTOR | | | | | | | |
| 2PD1-UP; 4SK1-UP; 6AB1-UP; 8PL1-UP; 2TF1-699; 6BB1-1234 | | | | | | | |
| | 1U0408 | Head 3G1729 | | 4 | 6-1/2 | CTC-2460643 | 605.42 |
| 2PD1-UP; 4SK1-UP; 6AB1-UP; 8PL1-UP; 2TF700-UP; 5JK1-UP; 6BB1235-UP; 9NL1-UP | | | | | | | |
| | 1U0408 | | | 4 | 6-1/2 | CTC-2460641 | 670.48 |
| 2PD1-UP; 4SK1-UP; 6AB1-UP; 8PL1-UP; 5JK1-UP | | | | | | | |
| | 9T4885 | Auger arrangement | P-UB-10 | 4 | 6-1/2 | CTC-SK100053 | 381.13 |
| 2PD1-UP; 4SK1-UP; 6AB1-UP; 8PL1-UP; 6BB1-1234 | | | | | | | |
| | 1U0408 | Head 9T6530 | | 4 | 6-1/2 | CTC-2460641 | 670.48 |
| LOAD | | | | | | | |
| | 1083592 | | P-UB-10 | 2-1/2 | 5-1/2 | CTC-7X2653 | 222.82 |
| 2PD1022-UP; 4SK1-UP; 6AB1579-UP; 8PL1-UP; 2TF1-UP; 5JK1-UP; 6BB1-UP; 9NL1-UP | | | | | | | |
| | 1083592 | | P-UB-10 | 2-1/2 | 5-1/2 | CTC-2422539 | 109.70 |
| 2PD1-739; 6AB1-1165; 2TF1-UP; 5JK1-UP; 6BB1-UP; 9NL1-UP | | | | | | | |
| | 9T1803 | | P-UB-10 | 2-1/2 | 5-1/2 | CTC-2422539 | 109.70 |
| 2PD740-1021; 6AB1166-1578; 8PL1-UP; 2TF1-UP; 5JK1-UP; 6BB1-UP; 9NL1-UP | | | | | | | |
| | 9T8935 | | P-SP-10 | 2-1/2 | 5-1/2 | CTC-9X6027 | 155.68 |
| SERVO | | | | | | | |
| 2PD1-UP; 4SK1-UP; 6AB1-UP; 8PL1-UP; 2TF1-UP; 5JK1-UP; 6BB1-UP; 9NL1-UP | | | | | | | |
| | 4T9364 | | I-U-10 | 3/4 | 1-1/2 | CTC-3651382 | 48.95 |

REPLACEMENT KITS FOR CATERPILLAR® EQUIPMENT

| Scrapers | | | | | | | |
|--|---------|--|---------|-------|-------|--------------|--------|
| APPLICATION | CYL # | Misc-Parts, Instructions, etc. | CODE | ROD | BORE | KIT # | |
| MODEL 621F | | | | | | | |
| SERVO | | | | | | | |
| 2PD1-UP; 4SK1-UP; 6AB1-UP; 8PL1-UP; 2TF1-UP; 5JK1-UP; 6BB1-UP; 9NL1-UP | | | | | | | |
| | 9T6685 | | I-U-10 | 3/4 | 1-1/2 | CTC-3651382 | 48.95 |
| STEERING | | | | | | | |
| | 3G5192 | 1.11" wide wear ring, rod bearing incl | P-UB-10 | 2-1/2 | 5 | CTC-1304012 | 247.74 |
| | 5J1326 | | P-UB-10 | 2-1/4 | 5 | CTC-7X2729 | 222.67 |
| 2PD1-UP; 4SK1-UP; 6AB1-UP; 8PL1-UP; 2TF1-638; 6BB1-1234 | | | | | | | |
| | 3G5192 | | P-UB-10 | 2-1/2 | 5 | CTC-2430386 | 96.66 |
| 2PD1-UP; 4SK1-UP; 6AB1-UP; 8PL1-UP; 2TF639-UP; 6BB1-1234 | | | | | | | |
| | 3G5192 | Piston 7J5525 | P-UB-10 | 2-1/2 | 5 | CTC-2422542 | 110.85 |
| 2PD1-UP; 4SK1-UP; 6AB1-UP; 8PL1-UP; 5JK1-UP; 6BB1235-UP; 9NL1-UP | | | | | | | |
| | 3G5192 | | P-UB-10 | 2-1/2 | 5 | CTC-2430384 | 111.22 |
| 2PD1-UP; 4SK1-UP; 6AB1-UP; 8PL1-UP; 6BB1-1234 | | | | | | | |
| | 3G5192 | Piston 9T8563 | P-UB-10 | 2-1/2 | 5 | CTC-2430384 | 111.22 |
| MODEL 621G | | | | | | | |
| APRON | | | | | | | |
| ALP1-UP; CEN1-UP; DBB1-UP; KJW1-UP; NEL1-UP; ANG1-UP; CEP1-UP; DBX1-UP; KLK1-UP; MEX1-UP | | | | | | | |
| | 6E3690 | | | 2-3/4 | 7-1/4 | CTC-2440954 | 207.96 |
| BOWL | | | | | | | |
| ALP1-UP; CEN1-UP; DBB1-UP; KJW1-UP; NEL1-UP; ANG1-UP; CEP1-UP; DBX1-UP; KLK1-UP; MEX1-UP | | | | | | | |
| | 5J2449 | | | 2-1/2 | 6 | CTC-2422545 | 325.26 |
| | 5J2450 | | | 2-1/2 | 6 | CTC-2422545 | 325.26 |
| EJECTOR | | | | | | | |
| ALP1-UP; CEN1-UP; DBB1-UP; KJW1-UP; NEL1-UP; ANG1-UP; CEP1-UP; DBX1-UP; KLK1-UP; MEX1-UP | | | | | | | |
| | 1U0408 | | | 4 | 6-1/2 | CTC-2460641 | 670.48 |
| | 9T4885 | Auger arrangement | P-UB-10 | 4 | 6-1/2 | CTC-SK100053 | 381.13 |
| LOAD | | | | | | | |
| | 1083592 | | P-UB-10 | 2-1/2 | 5-1/2 | CTC-7X2653 | 222.82 |
| ALP1-UP; CEN1-UP; DBB1-UP; KJW1-UP; NEL1-UP; ANG1-UP; CEP1-UP; DBX1-UP; KLK1-UP; MEX1-UP | | | | | | | |
| | 1083592 | | P-UB-10 | 2-1/2 | 5-1/2 | CTC-2422539 | 109.70 |
| CEN1-UP; ANG1-UP; CEP1-UP; DBX1-UP; KLK1-UP; MEX1-UP | | | | | | | |
| | | | P-UB-10 | 2-1/2 | 5-1/2 | CTC-SK100054 | 284.88 |
| PUMP | | | | | | | |
| DBB; 14S; 15S; 35V; 45P | | | | | | | |
| | 9J5075 | | | | | CTC-9J5108 | 55.04 |
| SERVO | | | | | | | |
| ALP1-UP; CEN1-UP; DBB1-UP; KJW1-UP; NEL1-UP; ANG1-UP; CEP1-UP; DBX1-UP; KLK1-UP; MEX1-UP | | | | | | | |
| | 9T6685 | | I-U-10 | 3/4 | 1-1/2 | CTC-3651382 | 48.95 |
| STEERING | | | | | | | |
| ALP1-UP; CEN1-UP; DBB1-UP; KJW1-UP; NEL1-UP; ANG1-UP; CEP1-UP; DBX1-UP; KLK1-UP; MEX1-UP | | | | | | | |
| | 3G5192 | | P-UB-10 | 2-1/2 | 5 | CTC-2430384 | 111.22 |
| CEN1-UP; ANG1-UP; CEP1-UP; DBX1-UP; KLK1-UP; MEX1-UP | | | | | | | |
| | | | P-UB-10 | 2-1/4 | 5 | CTC-SK100055 | 481.77 |
| MODEL 621H | | | | | | | |
| BAIL | | | | | | | |
| DBK1-UP; EAZ1-UP | | | | | | | |
| | | | P-UB-10 | 60 mm | 90 mm | CTC-SK100026 | 291.83 |
| LOAD | | | | | | | |
| DBK1-UP; EAZ1-UP | | | | | | | |
| | | | P-UB-10 | 2-1/2 | 5-1/2 | CTC-3367351 | 275.36 |
| SERVO | | | | | | | |
| DBK1-UP; EAZ1-UP | | | | | | | |
| | | | I-U-10 | 3/4 | 1-1/2 | CTC-3651382 | 48.95 |
| STEERING | | | | | | | |
| DBK1-UP; EAZ1-UP | | | | | | | |
| | | | P-UB-10 | 2-1/2 | 5 | CTC-2430384 | 111.22 |

REPLACEMENT KITS FOR CATERPILLAR® EQUIPMENT

| Scrapers | | | | | | | |
|--------------------|--|--|---------|-------|-------|--------------|--------|
| APPLICATION | CYL # | Misc-Parts, Instructions, etc. | CODE | ROD | BORE | KIT # | |
| MODEL 621SC | | | | | | | |
| APRON | | | | | | | |
| | 5J0778 | | P-UB-10 | 2-3/4 | 7-1/4 | CTC-7X2681 | 155.82 |
| | 6E3690 | | P-UB-10 | 2-3/4 | 7-1/4 | CTC-7X2681 | 155.82 |
| BOWL LH | | | | | | | |
| | 5J2450 | | P-UB-10 | 2-1/2 | 6 | CTC-7X2662 | 234.93 |
| BOWL RH | | | | | | | |
| | 5J2449 | | P-UB-10 | 2-1/2 | 6 | CTC-7X2662 | 234.93 |
| EJECTOR | | | | | | | |
| | 1U0408 | | P-UB-10 | 4 | 6-1/2 | CTC-7X2765 | 323.31 |
| | 6J9689 | | P-UB-10 | 4 | 6-1/2 | CTC-7X2765 | 323.31 |
| | 9T4885 | | P-UB-10 | 4 | 6-1/2 | CTC-7X2765 | 323.31 |
| LOAD | | | | | | | |
| | 8J0204 | | P-UB-10 | 2-1/2 | 5-1/2 | CTC-9X2050 | 138.10 |
| STEERING | | | | | | | |
| | 3G5192 | 1.11" wide wear ring, rod bearing incl | P-UB-10 | 2-1/2 | 5 | CTC-1304012 | 247.74 |
| | 3G5192 | 1.55" wide wear ring | P-UB-10 | 2-1/2 | 5 | CTC-7X2743 | 154.10 |
| | 5J1326 | | P-UB-10 | 2-1/4 | 5 | CTC-7X2729 | 222.67 |
| MODEL 623F | | | | | | | |
| ACCUMULATOR | | | | | | | |
| | 3XW1-UP; 5SG1-UP; 6DB1-UP; 6CB1-UP; 6YF1-387 | | | | | | |
| | | | N-N-10 | | 5 | CTC-SK100059 | 104.27 |
| BOWL | | | | | | | |
| | 5EW1-UP; 6BK1-UP; 6CB1-UP; 6YF1-UP; 3XW1-UP; 5SG1-UP; 6DB1-UP | | | | | | |
| | 8J1876 | | | 2-1/2 | 6 | CTC-2422545 | 325.26 |
| EJECTOR | | | | | | | |
| | 5EW1-UP; 6BK1-UP; 6CB1-UP; 6YF1-UP; 3XW1-UP; 5SG1-UP; 6DB1-UP | | | | | | |
| | 8J5478 | Piston 9T8563 | P-UB-10 | 2-1/2 | 5 | CTC-2430384 | 111.22 |
| | 5EW1-UP; 6BK1-UP; 6CB1-UP; 6YF1-UP; 6DB1-UP | | | | | | |
| | 8J5478 | Piston 7J5525 | P-UB-10 | 2-1/2 | 5 | CTC-2422542 | 110.85 |
| | 8J5478 | | P-UB-10 | 2-1/2 | 5 | CTC-2430386 | 96.66 |
| FLOOR | | | | | | | |
| | 5EW1-UP; 6BK1-UP; 6CB1-UP; 6YF1-UP; 3XW1-287 | | | | | | |
| | 1478194 | | P-UB-10 | 4 | 6 | CTC-2460658 | 466.04 |
| | 5EW1-UP; 6BK1-UP; 6CB1-UP; 6YF1-UP; 3XW288-UP | | | | | | |
| | | | | 3-1/4 | 5-1/2 | CTC-2611073 | 370.47 |
| | 5EW1-UP; 6BK1-UP; 6CB1-UP; 6YF1-UP; 5SG1-UP; 6DB1-UP | | | | | | |
| | 8J1821 | | P-UB-10 | 3 | 6 | CTC-2442062 | 223.29 |
| | 5EW1-UP; 6BK1-UP; 6CB1-UP; 6YF1-UP; 6DB1-UP | | | | | | |
| | 8J1821 | | | 3 | 6 | CTC-2442064 | 96.59 |
| LOAD | | | | | | | |
| | 5EW1-UP; 6BK1-UP; 6CB1-841; 6YF431-UP; 3XW1-UP; 5SG1-UP; 6DB1-UP | | | | | | |
| | 1083592 | | P-UB-10 | 2-1/2 | 5-1/2 | CTC-2422539 | 109.70 |
| | 9T1803 | | P-UB-10 | 2-1/2 | 5-1/2 | CTC-2422539 | 109.70 |
| | 6CB842-UP; 6YF1-430; 3XW1-UP; 5SG1-UP; 6DB1-UP | | | | | | |
| | 9T8935 | | P-SP-10 | 2-1/2 | 5-1/2 | CTC-9X6027 | 155.68 |
| SERVO | | | | | | | |
| | 5EW1-UP; 6BK1-UP; 6CB1-UP; 6YF1-UP; 3XW1-UP; 5SG1-UP; 6DB1-UP | | | | | | |
| | 4T9364 | | I-U-10 | 3/4 | 1-1/2 | CTC-3651382 | 48.95 |
| | 9T6685 | | I-U-10 | 3/4 | 1-1/2 | CTC-3651382 | 48.95 |
| STEERING | | | | | | | |
| | 5EW1-UP; 6BK1-UP; 6CB1-UP; 6YF1-UP; 3XW1-UP; 5SG1-UP; 6DB1-UP | | | | | | |
| | 3G5192 | Piston 9T8563 | P-UB-10 | 2-1/2 | 5 | CTC-2430384 | 111.22 |
| | 5EW1-UP; 6BK1-UP; 6CB1-UP; 6YF1-UP; 6DB1-UP | | | | | | |
| | 3G5192 | Piston 7J5525 | P-UB-10 | 2-1/2 | 5 | CTC-2422542 | 110.85 |
| | 3G5192 | | P-UB-10 | 2-1/2 | 5 | CTC-2430386 | 96.66 |

REPLACEMENT KITS FOR CATERPILLAR® EQUIPMENT

| Scrapers | | | | | | | |
|-------------------------|--|--|---------|-------|-------|--------------|--------|
| APPLICATION | CYL # | Misc-Parts, Instructions, etc. | CODE | ROD | BORE | KIT # | |
| MODEL 623F, 623G | | | | | | | |
| LOAD | | | | | | | |
| | 1083592 | | P-UB-10 | 2-1/2 | 5-1/2 | CTC-7X2653 | 222.82 |
| MODEL 623G | | | | | | | |
| BOWL | | | | | | | |
| | ARW1-UP; CES1-UP; DBC1-UP; AWB1-UP; CEW1-UP; DBY1-UP | | | | | | |
| | 8J1876 | | | 2-1/2 | 6 | CTC-2422545 | 325.26 |
| EJECTOR | | | | | | | |
| | ARW1-UP; CES1-UP; DBC1-UP; AWB1-UP; CEW1-UP; DBY1-UP | | | | | | |
| | 8J5478 | | P-UB-10 | 2-1/2 | 5 | CTC-2430384 | 111.22 |
| FLOOR | | | | | | | |
| | ARW1-UP; CES1-UP; DBC1-UP; AWB1-UP; CEW1-UP; DBY1-UP | | | | | | |
| | 1854338 | | | 3-1/4 | 5-1/2 | CTC-2611073 | 370.47 |
| LOAD | | | | | | | |
| | ARW1-UP; CES1-UP; DBC1-UP; AWB1-UP; CEW1-UP; DBY1-UP | | | | | | |
| | | | P-UB-10 | 2-1/2 | 5-1/2 | CTC-2422539 | 109.70 |
| SERVO | | | | | | | |
| | ARW1-UP; CES1-UP; DBC1-UP; AWB1-UP; CEW1-UP; DBY1-UP | | | | | | |
| | | | I-U-10 | 3/4 | 1-1/2 | CTC-3651382 | 48.95 |
| STEERING | | | | | | | |
| | ARW1-UP; CES1-UP; DBC1-UP; AWB1-UP; CEW1-UP; DBY1-UP | | | | | | |
| | 3G5192 | | P-UB-10 | 2-1/2 | 5 | CTC-2430384 | 111.22 |
| MODEL 623H | | | | | | | |
| LOAD | | | | | | | |
| | DBF1-UP; EJD1-UP | | | | | | |
| | | | P-UB-10 | 2-1/2 | 5-1/2 | CTC-3367351 | 275.36 |
| SERVO | | | | | | | |
| | DBF1-UP; EJD1-UP | | | | | | |
| | | | I-U-10 | 3/4 | 1-1/2 | CTC-3651382 | 48.95 |
| STEERING | | | | | | | |
| | DBF1-UP; EJD1-UP | | | | | | |
| | | | P-UB-10 | 2-1/2 | 5 | CTC-2430384 | 111.22 |
| MODEL 623SC | | | | | | | |
| EJECTOR | | | | | | | |
| | 8J5478 | | P-UB-10 | 2-1/2 | 5 | CTC-1304012 | 247.74 |
| | 8J5478 | | P-UB-10 | 2-1/2 | 5 | CTC-7X2658 | 230.88 |
| FLOOR | | | | | | | |
| | 8J1821 | | P-UB-10 | 3 | 6 | CTC-7X2698 | 255.56 |
| LIFT | | | | | | | |
| | 8J1876 | | P-UB-10 | 2-1/2 | 6 | CTC-7X2662 | 234.93 |
| LOAD | | | | | | | |
| | 8J0204 | | P-UB-10 | 2-1/2 | 5-1/2 | CTC-9X2050 | 138.10 |
| STEERING | | | | | | | |
| | 3G5192 | 1.11" wide wear ring, rod bearing incl | P-UB-10 | 2-1/2 | 5 | CTC-1304012 | 247.74 |
| | 3G5192 | 1.55" wide wear ring | P-UB-10 | 2-1/2 | 5 | CTC-7X2743 | 154.10 |
| | 5J1326 | | P-UB-10 | 2-1/4 | 5 | CTC-7X2729 | 222.67 |
| MODEL 623SCG | | | | | | | |
| EJECTOR | | | | | | | |
| | 8J5478 | | P-UB-10 | 2-1/2 | 5 | CTC-1304012 | 247.74 |
| LIFT | | | | | | | |
| | 8J1876 | | P-UB-10 | 2-1/2 | 6 | CTC-7X2662 | 234.93 |
| STEERING | | | | | | | |
| | 3G5192 | 1.11" wide wear ring, rod bearing incl | P-UB-10 | 2-1/2 | 5 | CTC-1304012 | 247.74 |
| MODEL 627F | | | | | | | |
| ACCUMULATOR | | | | | | | |
| | 6EB1-UP; 6GB1-UP; 7CB1-875; 3WJ1-UP; 4YK1-UP; 6FB1-UP; 6HB1-UP | | | | | | |
| | | | N-N-10 | | 5 | CTC-SK100059 | 104.27 |

REPLACEMENT KITS FOR CATERPILLAR® EQUIPMENT

| Scrapers | | | | | | | |
|--|---------|--------------------------------|---------|-------|-------|--------------|--------|
| APPLICATION | CYL # | Misc-Parts, Instructions, etc. | CODE | ROD | BORE | KIT # | |
| MODEL 627F | | | | | | | |
| APRON | | | | | | | |
| 1DL1-UP; 6EB1-UP; 6GB1-UP; 7CG1-UP; 3WJ1-UP; 4YK1-UP; 6FB1-UP; 6HB1-UP | | | | | | | |
| | 5J0778 | | | 2-3/4 | 7-1/4 | CTC-2440954 | 207.96 |
| | 6E3690 | | | 2-3/4 | 7-1/4 | CTC-2440954 | 207.96 |
| 1DL1-UP; 6EB1-UP; 6GB1-UP; 7CG1-UP; 6FB1-UP; 6HB1-UP | | | | | | | |
| | 5J0778 | | | 2-3/4 | 7-1/4 | CTC-2440957 | 389.64 |
| BAIL | | | | | | | |
| | 6E0801 | | P-UB-10 | 1-3/4 | 3 | CTC-7X2825 | 73.65 |
| 1DL1-UP; 3WJ1-UP; 4YK1-UP; 6FB1-UP; 6HB1-UP | | | | | | | |
| | 6E0801 | | P-UB-10 | 1-3/4 | 3 | CTC-2275350 | 45.88 |
| 6EB644-UP; 6GB1-UP; 7CG1-UP; 3WJ1-UP; 4YK1-UP; 6FB1-UP; 6HB1-UP | | | | | | | |
| | 4T5638 | | P-UB-10 | 1-3/4 | 3 | CTC-2402016 | 56.96 |
| BOWL LIFT | | | | | | | |
| | 5J2449 | Wear Ring 1.74" | P-UB-10 | 2-1/2 | 6 | CTC-7X2662 | 234.93 |
| | 5J2450 | Wear Ring 1.74" | P-UB-10 | 2-1/2 | 6 | CTC-7X2662 | 234.93 |
| 1DL1-UP; 6EB1-UP; 6GB1-UP; 7CG1-UP; 3WJ1-UP; 4YK1-UP; 6FB1-UP; 6HB1-UP | | | | | | | |
| | 5J2449 | | | 2-1/2 | 6 | CTC-2422545 | 325.26 |
| | 5J2450 | | | 2-1/2 | 6 | CTC-2422545 | 325.26 |
| EJECTOR | | | | | | | |
| 1DL1-UP; 6EB1-UP; 6GB1-UP; 7CG1-UP; 3WJ1-UP; 4YK1-UP; 6FB1-UP; 6HB1-UP | | | | | | | |
| | 1U0408 | Head 9T6530 | | 4 | 6-1/2 | CTC-2460641 | 670.48 |
| | 9T4885 | Auger arrangement | P-UB-10 | 4 | 6-1/2 | CTC-SK100053 | 381.13 |
| 1DL1-UP; 6EB1-UP; 6GB1-UP; 7CG1-UP; 6FB1-UP; 6HB1-UP | | | | | | | |
| | 1U0408 | Head 3G1729 | | 4 | 6-1/2 | CTC-2460643 | 605.42 |
| LOAD | | | | | | | |
| | 1083592 | | P-UB-10 | 2-1/2 | 5-1/2 | CTC-7X2653 | 222.82 |
| 1DL1-UP; 6EG1-586; 6GB1-713; 3WJ1-UP; 4YK1-UP; 6FB1-UP; 6HB1-UP | | | | | | | |
| | 9T1803 | | P-UB-10 | 2-1/2 | 5-1/2 | CTC-2422539 | 109.70 |
| 6EB587-UP; 6GB714-UP; 7CG1-925; 3WJ1-UP; 4YK1-UP; 6FB1-UP; 6HB1-UP | | | | | | | |
| | 9T8935 | | P-SP-10 | 2-1/2 | 5-1/2 | CTC-9X6027 | 155.68 |
| 7CG926-UP; 3WJ1-UP; 4YK1-UP; 6FB1-UP; 6HB1-UP | | | | | | | |
| | 1083592 | | P-UB-10 | 2-1/2 | 5-1/2 | CTC-2422539 | 109.70 |
| SERVO | | | | | | | |
| 1DL1-UP; 6EB1-UP; 6GB1-UP; 7CG1-UP; 3WJ1-UP; 4YK1-UP; 6FB1-UP; 6HB1-UP | | | | | | | |
| | 4T9364 | | I-U-10 | 3/4 | 1-1/2 | CTC-3651382 | 48.95 |
| | 9T6685 | | I-U-10 | 3/4 | 1-1/2 | CTC-3651382 | 48.95 |
| STEERING | | | | | | | |
| 1DL1-UP; 6EB1-UP; 6GB1-UP; 7CG1-UP; 3WJ1-UP; 4YK1-UP; 6FB1-UP; 6HB1-UP | | | | | | | |
| | 3G5192 | Piston 9T8563 | P-UB-10 | 2-1/2 | 5 | CTC-2430384 | 111.22 |
| 1DL1-UP; 6EB1-UP; 6GB1-UP; 7CG1-UP; 6FB1-UP; 6HB1-UP | | | | | | | |
| | 3G5192 | Piston 7J5525 | P-UB-10 | 2-1/2 | 5 | CTC-2422542 | 110.85 |
| | 3G5192 | | P-UB-10 | 2-1/2 | 5 | CTC-2430386 | 96.66 |
| MODEL 627G | | | | | | | |
| APRON | | | | | | | |
| AXF1-UP; CEX1-UP; DBD1-UP; AYK1-UP; CEZ1-UP; DBZ1-UP | | | | | | | |
| | 6E3690 | | | 2-3/4 | 7-1/4 | CTC-2440954 | 207.96 |
| BAIL | | | | | | | |
| AXF1-UP; CEX1-UP; DBD1-UP; AYK1-UP; CEZ1-UP; DBZ1-UP | | | | | | | |
| | 1677434 | | P-UB-10 | 1-3/4 | 3 | CTC-2275350 | 45.88 |
| BOWL LIFT | | | | | | | |
| | 5J2449 | Wear Ring 1.74" | P-UB-10 | 2-1/2 | 6 | CTC-7X2662 | 234.93 |
| | 5J2450 | Wear Ring 1.74" | P-UB-10 | 2-1/2 | 6 | CTC-7X2662 | 234.93 |
| AXF1-UP; CEX1-UP; DBD1-UP; AYK1-UP; CEZ1-UP; DBZ1-UP | | | | | | | |
| | 5J2449 | | | 2-1/2 | 6 | CTC-2422545 | 325.26 |
| | 5J2450 | | | 2-1/2 | 6 | CTC-2422545 | 325.26 |

REPLACEMENT KITS FOR CATERPILLAR® EQUIPMENT

| Scrapers | | | | | | | |
|--|---------|--|---------|-------|-------|--------------|--------|
| APPLICATION | CYL # | Misc-Parts, Instructions, etc. | CODE | ROD | BORE | KIT # | |
| MODEL 627G | | | | | | | |
| EJECTOR | | | | | | | |
| AXF1-UP; CEX1-UP; DBD1-UP; AYK1-UP; CEZ1-UP; DBZ1-UP | | | | | | | |
| | 1U0408 | | | 4 | 6-1/2 | CTC-2460641 | 670.48 |
| | 9T4885 | | P-UB-10 | 4 | 6-1/2 | CTC-SK100053 | 381.13 |
| LOAD | | | | | | | |
| AXF1-UP; CEX1-UP; DBD1-UP; AYK1-UP; CEZ1-UP; DBZ1-UP | | | | | | | |
| | 1083592 | | P-UB-10 | 2-1/2 | 5-1/2 | CTC-2422539 | 109.70 |
| SERVO | | | | | | | |
| AXF1-UP; CEX1-UP; DBD1-UP; AYK1-UP; CEZ1-UP; DBZ1-UP | | | | | | | |
| | 9T6685 | | I-U-10 | 3/4 | 1-1/2 | CTC-3651382 | 48.95 |
| STEERING | | | | | | | |
| AXF1-UP; CEX1-UP; DBD1-UP; AYK1-UP; CEZ1-UP; DBZ1-UP | | | | | | | |
| | 3G5192 | | P-UB-10 | 2-1/2 | 5 | CTC-2430384 | 111.22 |
| MODEL 627H | | | | | | | |
| BAIL | | | | | | | |
| DBW1-UP; LCT1-UP | | | | | | | |
| | | | P-UB-10 | 60 mm | 90 mm | CTC-SK100026 | 291.83 |
| LOAD | | | | | | | |
| DBW1-UP; LCT1-UP | | | | | | | |
| | | | P-UB-10 | 2-1/2 | 5-1/2 | CTC-3367351 | 275.36 |
| SERVO | | | | | | | |
| DBW1-UP; LCT1-UP | | | | | | | |
| | | | I-U-10 | 3/4 | 1-1/2 | CTC-3651382 | 48.95 |
| STEERING | | | | | | | |
| DBW1-UP; LCT1-UP | | | | | | | |
| | | | P-UB-10 | 2-1/2 | 5 | CTC-2430384 | 111.22 |
| MODEL 627SC | | | | | | | |
| APRON | | | | | | | |
| | 5J0778 | | P-UB-10 | 2-3/4 | 7-1/4 | CTC-7X2681 | 155.82 |
| | 6E3690 | | P-UB-10 | 2-3/4 | 7-1/4 | CTC-7X2681 | 155.82 |
| BAIL | | | | | | | |
| | 7J2377 | | P-U-10 | 2 | 3-1/2 | CTC-7X2806 | 166.43 |
| | 8J6064 | | P-U-10 | 2 | 3-1/2 | CTC-7X2806 | 166.43 |
| BOWL LH | | | | | | | |
| | 5J2450 | | P-UB-10 | 2-1/2 | 6 | CTC-7X2662 | 234.93 |
| BOWL RH | | | | | | | |
| | 5J2449 | | P-UB-10 | 2-1/2 | 6 | CTC-7X2662 | 234.93 |
| EJECTOR | | | | | | | |
| | 1U0408 | | P-UB-10 | 4 | 6-1/2 | CTC-7X2765 | 323.31 |
| | 9T4885 | | P-UB-10 | 4 | 6-1/2 | CTC-7X2765 | 323.31 |
| LOAD | | | | | | | |
| | 8J0204 | | P-UB-10 | 2-1/2 | 5-1/2 | CTC-9X2050 | 138.10 |
| STEERING | | | | | | | |
| | 3G5192 | 1.11" wide wear ring, rod bearing incl | P-UB-10 | 2-1/2 | 5 | CTC-1304012 | 247.74 |
| | 3G5192 | 1.55" wide wear ring, rod bearing incl | P-UB-10 | 2-1/2 | 5 | CTC-7X2658 | 230.88 |
| | 3G5192 | 1.55" wide wear ring | P-UB-10 | 2-1/2 | 5 | CTC-7X2743 | 154.10 |
| | 5J1326 | | P-UB-10 | 2-1/4 | 5 | CTC-7X2729 | 222.67 |
| MODEL 630 | | | | | | | |
| TRACTION CONTROL | | | | | | | |
| | 4D0470 | | P-V-10 | 2 | 5 | CTC-7X2763 | 185.79 |
| | 4D5543 | | P-V-10 | 2 | 5 | CTC-7X2763 | 185.79 |
| MODEL 630SC | | | | | | | |
| EJECTOR | | | | | | | |
| | 6J1419 | | I-U-10 | 6 | 8-1/4 | CTC-1180672 | 696.50 |

REPLACEMENT KITS FOR CATERPILLAR® EQUIPMENT

| Scrapers | | | | | | | |
|--|---------|--------------------------------|---------|-------|-------|--------------|--------|
| APPLICATION | CYL # | Misc-Parts, Instructions, etc. | CODE | ROD | BORE | KIT # | |
| MODEL 631E II | | | | | | | |
| ACCUMULATOR | | | | | | | |
| 1AB1-581; 1BB1-UP; 4LD1-UP; 6PC1-UP | | | | | | | |
| | | | N-N-10 | | 5 | CTC-SK100057 | 41.94 |
| 1AB582-1468, 1640-UP; 1NB1-UP; 3ND1-544; 1BB1-UP; 4LD1-UP; 6PC1-UP | | | | | | | |
| | | | N-N-10 | | 5 | CTC-SK100059 | 104.27 |
| APRON | | | | | | | |
| 1AB1-UP; 1NB1-UP; 3ND1-UP; 1BB1-UP; 4LD1-UP; 6PC1-UP | | | | | | | |
| | 8J5931 | | | 3 | 8-1/4 | CTC-2442069 | 442.44 |
| BOWL | | | | | | | |
| 1AB1-UP; 1NB1-UP; 3ND1-UP; 1BB1-850; 4LD1-250; 6PC1-518 | | | | | | | |
| | 9J0408 | | | 2-3/4 | 7-1/4 | CTC-2435820 | 306.07 |
| | 9J0409 | | | 2-3/4 | 7-1/4 | CTC-2435820 | 306.07 |
| 1AB1-UP; 1NB1-UP; 3ND1-UP; 1BB851-UP; 4LD251-UP; 6PC1-UP | | | | | | | |
| | 9J0408 | | | 2-3/4 | 7-1/4 | CTC-2435814 | 329.73 |
| | 9J0409 | | | 2-3/4 | 7-1/4 | CTC-2435814 | 329.73 |
| EJECTOR | | | | | | | |
| 1AB1-UP; 1NB1-UP; 3ND1-UP; 1BB1-UP; 4LD1-269; 6PC1-597 | | | | | | | |
| | 6E0897 | | I-U-10 | 6 | 8-1/4 | CTC-1891778 | 683.29 |
| | 6E0905 | | I-U-10 | 6 | 8-1/4 | CTC-1891778 | 683.29 |
| | 6J5824 | | I-U-10 | 6 | 8-1/4 | CTC-1891778 | 683.29 |
| | 9T3595 | | I-U-10 | 6 | 8-1/4 | CTC-1891778 | 683.29 |
| | 9T4887 | | I-U-10 | 6 | 8-1/4 | CTC-1891778 | 683.29 |
| 1AB1-UP; 1NB1-UP; 3ND1-UP; 1BB1-UP; 4LD270-UP; 6PC598-UP | | | | | | | |
| | 6E0897 | | | 6 | 8-1/4 | CTC-2463442 | 951.18 |
| LOAD | | | | | | | |
| 1AB1076-1445; 1NB686-871; 3ND318-536; 1BB1-UP; 4LD1-UP; 6PC1-UP | | | | | | | |
| | 8J9959 | | P-SP-10 | 2-1/2 | 6-1/2 | CTC-9X6024 | 210.45 |
| 1AB1446-1639; 1NB872-1389; 1BB1-UP; 4LD1-UP; 6PC1-UP | | | | | | | |
| | 1083591 | Head 1100311 | | 2-1/2 | 6-1/2 | CTC-2435803 | 302.17 |
| | 1083591 | Head 9T6538 | P-SP-10 | 2-1/2 | 6-1/2 | CTC-9X6024 | 210.45 |
| | 8J9959 | Head 9T6538 | P-SP-10 | 2-1/2 | 6-1/2 | CTC-9X6024 | 210.45 |
| 1AB1640-UP; 1NB1390-UP; 3ND537-UP; 1BB1-UP; 4LD1-UP; 6PC1-UP | | | | | | | |
| | 1083591 | | | 2-1/2 | 6-1/2 | CTC-2435803 | 302.17 |
| 1AB1-679; 1NB1-595; 3ND1-275; 1BB1-UP; 4LD1-UP; 6PC1-UP | | | | | | | |
| | 8J9959 | | | 2-1/2 | 6-1/2 | CTC-2435797 | 283.15 |
| 1AB680-1075; 1NB595-685; 3ND276-317; 1BB1-UP; 4LD1-UP; 6PC1-UP | | | | | | | |
| | 8J9959 | | | 2-1/2 | 6-1/2 | CTC-2435803 | 302.17 |
| SERVO | | | | | | | |
| 1AB1-UP; 1NB1-UP; 3ND1-UP; 1BB1-UP; 4LD1-UP; 6PC1-UP | | | | | | | |
| | 4T9364 | | I-U-10 | 3/4 | 1-1/2 | CTC-3651382 | 48.95 |
| | 9T6685 | | I-U-10 | 3/4 | 1-1/2 | CTC-3651382 | 48.95 |
| STEERING | | | | | | | |
| 1AB1-UP; 1NB1-UP; 3ND1-UP; 1BB1-747, 749-752; 4LD1-250; 6PC1-518 | | | | | | | |
| | 3G7607 | Head 9J5605 | P-UB-10 | 2-3/4 | 6-1/2 | CTC-2355802 | 99.61 |
| 1AB1-UP; 1NB1-UP; 3ND1-UP; 1BB1-UP; 4LD251-UP; 6PC1-UP | | | | | | | |
| | 3G7607 | Head 9T6861 | P-UB-10 | 2-3/4 | 6-1/2 | CTC-2355804 | 274.14 |
| MODEL 631G | | | | | | | |
| APRON | | | | | | | |
| AWK1-UP; CLR1-UP; DFA1-UP; AXZ1-UP; CMT1-UP; DEM1-UP | | | | | | | |
| | 8J5931 | | | 3 | 8-1/4 | CTC-2442069 | 442.44 |
| BOWL | | | | | | | |
| AWK1-UP; CLR1-UP; DFA1-UP; AXZ1-UP; CMT1-UP; DEM1-UP | | | | | | | |
| | 9J0408 | | | 2-3/4 | 7-1/4 | CTC-2435814 | 329.73 |
| | 9J0409 | | | 2-3/4 | 7-1/4 | CTC-2435814 | 329.73 |

REPLACEMENT KITS FOR CATERPILLAR® EQUIPMENT

| Scrapers | | | | | | | |
|--|---------|--------------------------------|---------|-------|-------|--------------|--------|
| APPLICATION | CYL # | Misc-Parts, Instructions, etc. | CODE | ROD | BORE | KIT # | |
| MODEL 631G | | | | | | | |
| EJECTOR | | | | | | | |
| AWK1-UP; CLR1-UP; DFA1-UP; AXZ1-UP; CMT1-UP; DEM1-UP | | | | | | | |
| | 6E0897 | | | 6 | 8-1/4 | CTC-2463442 | 951.18 |
| LOAD | | | | | | | |
| AWK1-UP; CLR1-UP; DFA1-UP; AXZ1-UP; CMT1-UP; DEM1-UP | | | | | | | |
| | 1083591 | | | 2-1/2 | 6-1/2 | CTC-2435803 | 302.17 |
| SERVO | | | | | | | |
| AWK1-UP; CLR1-UP; DFA1-UP; AXZ1-UP; CMT1-UP; DEM1-UP | | | | | | | |
| | 9T6685 | | I-U-10 | 3/4 | 1-1/2 | CTC-3651382 | 48.95 |
| STEERING | | | | | | | |
| AWK1-UP; CLR1-UP; DFA1-UP; AXZ1-UP; CMT1-UP; DEM1-UP | | | | | | | |
| | 3G7607 | | P-UB-10 | 2-3/4 | 6-1/2 | CTC-2355804 | 274.14 |
| MODEL 631SC | | | | | | | |
| APRON | | | | | | | |
| | 8J5931 | | P-UB-10 | 3 | 8-1/4 | CTC-7X2695 | 441.94 |
| EJECTOR | | | | | | | |
| | 6E0897 | | I-U-10 | 6 | 8-1/4 | CTC-1180672 | 696.50 |
| | 6E0905 | | I-U-10 | 6 | 8-1/4 | CTC-1180672 | 696.50 |
| | 6J1419 | | I-U-10 | 6 | 8-1/4 | CTC-1180672 | 696.50 |
| | 6J5824 | | I-U-10 | 6 | 8-1/4 | CTC-1180672 | 696.50 |
| | 6J5824 | | P-V-10 | 6 | 8-1/4 | CTC-8T1415 | 405.78 |
| | 9T3595 | | I-U-10 | 6 | 8-1/4 | CTC-1180672 | 696.50 |
| | 9T4887 | | I-U-10 | 6 | 8-1/4 | CTC-1180672 | 696.50 |
| LIFT LH | | | | | | | |
| | 7J2396 | | P-UB-10 | 2-3/4 | 7-1/4 | CTC-7X2687 | 282.70 |
| | 9J0409 | | P-UB-10 | 2-3/4 | 7-1/4 | CTC-7X2687 | 282.70 |
| LIFT RH | | | | | | | |
| | 7J2395 | | P-UB-10 | 2-3/4 | 7-1/4 | CTC-7X2687 | 282.70 |
| | 9J0408 | | P-UB-10 | 2-3/4 | 7-1/4 | CTC-7X2687 | 282.70 |
| LOAD | | | | | | | |
| | 7J3386 | | P-UB-10 | 2-1/2 | 6 | CTC-7X2836 | 204.35 |
| STEERING | | | | | | | |
| | 3G7607 | | P-UB-10 | 2-3/4 | 6-1/2 | CTC-7X2689 | 220.86 |
| | 3J9031 | | P-UB-10 | 2-1/2 | 6-1/2 | CTC-8T1376 | 109.10 |
| | 5J1250 | | P-UB-10 | 2-1/2 | 6-1/2 | CTC-8T1376 | 109.10 |
| | 5J7806 | | P-UB-10 | 2-1/2 | 6-1/2 | CTC-8T1376 | 109.10 |
| MODEL 633B | | | | | | | |
| ACCUMULATOR | | | | | | | |
| 66M693-UP; 86H711-UP | | | | | | | |
| | | | N-N-10 | | 5 | CTC-SK100057 | 41.94 |
| BOWL LIFT | | | | | | | |
| | 3G9677 | | P-UB-10 | 2-3/4 | 7-1/4 | CTC-7X2687 | 282.70 |
| 44J1-UP; 66M1-UP; 86H1-340 | | | | | | | |
| | 5J7654 | | P-V-10 | 2-3/4 | 7-1/4 | CTC-SK100036 | 124.76 |
| | 5J7654 | | I-V-10 | 2-3/4 | 7-1/4 | CTC-SK100038 | 115.73 |
| 44J1-UP; 66M1-UP; 86H341-537 | | | | | | | |
| | 7J0243 | | P-V-10 | 2-3/4 | 7-1/4 | CTC-SK100036 | 124.76 |
| 44J1-UP; 66M1-UP; 86H538-980 | | | | | | | |
| | 7J0243 | | P-UB-10 | 2-3/4 | 7-1/4 | CTC-SK100034 | 110.55 |
| 44J1-UP; 66M1-UP; 86H981-UP | | | | | | | |
| | 7J0243 | | | 2-3/4 | 7-1/4 | CTC-2435820 | 306.07 |
| FLOOR | | | | | | | |
| 44J1-UP; 66M1-UP; 86H1-687 | | | | | | | |
| | 5J7806 | | | 2-1/2 | 6-1/2 | CTC-2422554 | 253.15 |
| | 6J1516 | | | 2-1/2 | 6-1/2 | CTC-2422554 | 253.15 |
| | 7J1693 | | | 2-1/2 | 6-1/2 | CTC-2422554 | 253.15 |

REPLACEMENT KITS FOR CATERPILLAR® EQUIPMENT

| Scrapers | | | | | | | |
|-----------------------------------|---------|--------------------------------|---------|-------|-------|--------------|--------|
| APPLICATION | CYL # | Misc-Parts, Instructions, etc. | CODE | ROD | BORE | KIT # | |
| MODEL 633B | | | | | | | |
| FLOOR | | | | | | | |
| 44J1-UP; 66M1-UP; 86H688-UP | | | | | | | |
| | 6J1516 | | | 2-1/2 | 6-1/2 | CTC-2435797 | 283.15 |
| | 7J1693 | | | 2-1/2 | 6-1/2 | CTC-2435797 | 283.15 |
| LOAD CUSHION HITCH | | | | | | | |
| | 9J0537 | | P-UB-10 | 2-1/2 | 6-1/2 | CTC-8T1376 | 109.10 |
| 66M693-850, 825-861, 866; 86H1-UP | | | | | | | |
| | 7J3386 | | P-UB-10 | 2-1/2 | 6 | CTC-2422558 | 92.25 |
| 66M851, 862-865, 867-UP; 86H1-UP | | | | | | | |
| | 9J0537 | | | 2-1/2 | 6-1/2 | CTC-2435797 | 283.15 |
| SERVO-MASTER | | | | | | | |
| 66M693-UP; 86H1-UP | | | | | | | |
| | 5J8606 | | I-U-10 | 3/4 | 1-1/2 | CTC-8T1387 | 54.95 |
| STEERING | | | | | | | |
| | 5J7806 | | P-UB-10 | 2-1/2 | 6-1/2 | CTC-8T1376 | 109.10 |
| | 6J1516 | | P-UB-10 | 2-1/2 | 6-1/2 | CTC-8T1376 | 109.10 |
| | 8J3544 | | P-UB-10 | 2-1/2 | 6-1/2 | CTC-8T1376 | 109.10 |
| 44J1-UP; 66M1-659; 86H1-UP | | | | | | | |
| | 5J7806 | | | 2-1/2 | 6-1/2 | CTC-2422554 | 253.15 |
| 66M660-UP; 86H1-UP | | | | | | | |
| | 5J7806 | | | 2-1/2 | 6-1/2 | CTC-2435797 | 283.15 |
| | 8J3544 | | | 2-1/2 | 6-1/2 | CTC-2435797 | 283.15 |
| STEERING RH | | | | | | | |
| | 7J1693 | | P-UB-10 | 2-1/2 | 6-1/2 | CTC-8T1376 | 109.10 |
| MODEL 633E | | | | | | | |
| BOWL | | | | | | | |
| 2PS1-UP; 1EB1-UP | | | | | | | |
| | 1313223 | | | 2-3/4 | 7-1/4 | CTC-2435814 | 329.73 |
| | 3G9677 | | | 2-3/4 | 7-1/4 | CTC-2435814 | 329.73 |
| EJECTOR | | | | | | | |
| 2PS1-UP; 1EB1-UP | | | | | | | |
| | 1U0408 | | | 4 | 6-1/2 | CTC-2460641 | 670.48 |
| FLOOR | | | | | | | |
| 2PS1-UP; 1EB1-UP | | | | | | | |
| | 2T3616 | | P-UB-10 | 3 | 6-1/4 | CTC-SK100052 | 186.12 |
| LOAD | | | | | | | |
| 2PS1-UP; 1EB1-UP | | | | | | | |
| | 1083591 | | | 2-1/2 | 6-1/2 | CTC-2435803 | 302.17 |
| SERVO | | | | | | | |
| 2PS1-UP; 1EB1-UP | | | | | | | |
| | 9T6685 | | I-U-10 | 3/4 | 1-1/2 | CTC-3651382 | 48.95 |
| STEERING | | | | | | | |
| 2PS1-UP; 1EB1-UP | | | | | | | |
| | 3G7607 | | P-UB-10 | 2-3/4 | 6-1/2 | CTC-2355804 | 274.14 |
| MODEL 633E II | | | | | | | |
| BOWL | | | | | | | |
| 2PS1-UP; 1EB1-UP | | | | | | | |
| | 1313223 | | | 2-3/4 | 7-1/4 | CTC-2435814 | 329.73 |
| | 3G9677 | | | 2-3/4 | 7-1/4 | CTC-2435814 | 329.73 |
| EJECTOR | | | | | | | |
| 2PS1-UP; 1EB1-UP | | | | | | | |
| | 1U0408 | | | 4 | 6-1/2 | CTC-2460641 | 670.48 |
| FLOOR | | | | | | | |
| 2PS1-UP; 1EB1-UP | | | | | | | |
| | 2T3616 | | P-UB-10 | 3 | 6-1/4 | CTC-SK100052 | 186.12 |

REPLACEMENT KITS FOR CATERPILLAR® EQUIPMENT

| Scrapers | | | | | | | |
|--|-------|--------------------------------|---------|-------|-------|--------------|--------|
| APPLICATION | CYL # | Misc-Parts, Instructions, etc. | CODE | ROD | BORE | KIT # | |
| MODEL 633E II | | | | | | | |
| LOAD | | | | | | | |
| 2PS1-UP; 1EB1-UP | | | | | | | |
| 1083591 | | | | 2-1/2 | 6-1/2 | CTC-2435803 | 302.17 |
| SERVO | | | | | | | |
| 2PS1-UP; 1EB1-UP | | | | | | | |
| 9T6685 | | | I-U-10 | 3/4 | 1-1/2 | CTC-3651382 | 48.95 |
| STEERING | | | | | | | |
| 2PS1-UP; 1EB1-UP | | | | | | | |
| 3G7607 | | | P-UB-10 | 2-3/4 | 6-1/2 | CTC-2355804 | 274.14 |
| MODEL 633SC | | | | | | | |
| BOWL | | | | | | | |
| 1313223 | | | P-UB-10 | 2-3/4 | 7-1/4 | CTC-7X2687 | 282.70 |
| EJECTOR | | | | | | | |
| 1U0408 | | | P-UB-10 | 4 | 6-1/2 | CTC-7X2765 | 323.31 |
| LIFT | | | | | | | |
| 3G9677 | | | P-UB-10 | 2-3/4 | 7-1/4 | CTC-7X2687 | 282.70 |
| LOAD | | | | | | | |
| 7J3386 | | | P-UB-10 | 2-1/2 | 6 | CTC-7X2836 | 204.35 |
| STEERING | | | | | | | |
| 5J7806 | | | P-UB-10 | 2-1/2 | 6-1/2 | CTC-8T1376 | 109.10 |
| 6J1516 | | | P-UB-10 | 2-1/2 | 6-1/2 | CTC-8T1376 | 109.10 |
| 8J3544 | | | P-UB-10 | 2-1/2 | 6-1/2 | CTC-8T1376 | 109.10 |
| STEERING RH | | | | | | | |
| 7J1693 | | | P-UB-10 | 2-1/2 | 6-1/2 | CTC-8T1376 | 109.10 |
| MODEL 637B | | | | | | | |
| APRON | | | | | | | |
| 8J5931 | | | P-UB-10 | 3 | 8-1/4 | CTC-7X2695 | 441.94 |
| BOWL LIFT | | | | | | | |
| 7J2395 | | | P-UB-10 | 2-3/4 | 7-1/4 | CTC-7X2687 | 282.70 |
| 7J2396 | | | P-UB-10 | 2-3/4 | 7-1/4 | CTC-7X2687 | 282.70 |
| EJECTOR | | | | | | | |
| 6J5824 | | | P-V-10 | 6 | 8-1/4 | CTC-8T1415 | 405.78 |
| MODEL 637E II | | | | | | | |
| ACCUMULATOR | | | | | | | |
| 1FB1-331; 1JB1-431; 1HB1-UP; 1LB1-UP; 7CB1-UP | | | N-N-10 | | 5 | CTC-SK100057 | 41.94 |
| 1FB332-547, 660-UP; 1JB432-UP; 1HB1-UP; 1LB1-UP; 7CB1-UP | | | N-N-10 | | 5 | CTC-SK100059 | 104.27 |
| APRON | | | | | | | |
| 1FB1-UP; 1JB1-UP; 1HB1-UP; 1LB1-UP; 7CB1-UP | | | | | | | |
| 8J5931 | | | | 3 | 8-1/4 | CTC-2442069 | 442.44 |
| BAIL | | | | | | | |
| 1FB374-UP; 1JB1-UP; 1HB1-UP; 1LB1-UP; 7CB1-UP | | | | | | | |
| 4T5638 | | | P-UB-10 | 1-3/4 | 3 | CTC-2402016 | 56.96 |
| BOWL | | | | | | | |
| 1FB1-UP; 1JB1-UP; 1HB1-414; 1LB1-667; 7CB1-83 | | | | | | | |
| 9J0408 | | | | 2-3/4 | 7-1/4 | CTC-2435820 | 306.07 |
| 9J0409 | | | | 2-3/4 | 7-1/4 | CTC-2435820 | 306.07 |
| 1FB1-UP; 1JB1-UP; 1HB415-UP; 1LB668-UP; 7CB84-UP | | | | | | | |
| 9J0408 | | | | 2-3/4 | 7-1/4 | CTC-2435814 | 329.73 |
| 9J0409 | | | | 2-3/4 | 7-1/4 | CTC-2435814 | 329.73 |

REPLACEMENT KITS FOR CATERPILLAR® EQUIPMENT

| Scrapers | | | | | | | |
|---|--------------|--------------------------------|---------|-------|-------|-------------|--------|
| APPLICATION | CYL # | Misc-Parts, Instructions, etc. | CODE | ROD | BORE | KIT # | |
| MODEL 637E II | | | | | | | |
| EJECTOR | | | | | | | |
| 1FB1-UP; 1JB1-UP; 1HB1-UP; 1LB1-UP; 7CB1-UP | | | | | | | |
| 6E0897 | Head 4T9318 | | I-U-10 | 6 | 8-1/4 | CTC-1891778 | 683.29 |
| 6E0897 | Head 1715908 | | | 6 | 8-1/4 | CTC-2463442 | 951.18 |
| 6E0905 | Head 4T9318 | | I-U-10 | 6 | 8-1/4 | CTC-1891778 | 683.29 |
| 6E0905 | Head 1715908 | | | 6 | 8-1/4 | CTC-2463442 | 951.18 |
| 6J5824 | Head 4T9318 | | I-U-10 | 6 | 8-1/4 | CTC-1891778 | 683.29 |
| 9T3595 | Head 4T9318 | | I-U-10 | 6 | 8-1/4 | CTC-1891778 | 683.29 |
| 9T4887 | Head 4T9318 | | I-U-10 | 6 | 8-1/4 | CTC-1891778 | 683.29 |
| LOAD | | | | | | | |
| 1FB1-342; 1JB1-510; 1HB1-UP; 1LB1-UP; 7CB1-UP | | | | | | | |
| 8J9959 | | | | 2-1/2 | 6-1/2 | CTC-2435797 | 283.15 |
| 1FB343-367; 1JB511-665; 1HB1-UP; 1LB1-UP; 7CB1-UP | | | | | | | |
| 8J9959 | | | | 2-1/2 | 6-1/2 | CTC-2435803 | 302.17 |
| 1FB368-563; 1JB666-UP; 1HB1-UP; 1LB1-UP; 7CB1-UP | | | | | | | |
| 8J9959 | | | P-SP-10 | 2-1/2 | 6-1/2 | CTC-9X6024 | 210.45 |
| 1FB564-UP; 1HB1-UP; 1LB1-UP; 7CB1-UP | | | | | | | |
| 1083591 | | | | 2-1/2 | 6-1/2 | CTC-2435803 | 302.17 |
| SERVO | | | | | | | |
| 1FB1-UP; 1JB1-UP; 1HB1-UP; 1LB1-UP; 7CB1-UP | | | | | | | |
| 4T9364 | | | I-U-10 | 3/4 | 1-1/2 | CTC-3651382 | 48.95 |
| 9T6685 | | | I-U-10 | 3/4 | 1-1/2 | CTC-3651382 | 48.95 |
| STEERING | | | | | | | |
| 1FB1-UP; 1JB1-UP; 1HB1-409; 1LB1-624; 7CB1-81 | | | | | | | |
| 3G7607 | Head 9J5605 | | P-UB-10 | 2-3/4 | 6-1/2 | CTC-2355802 | 99.61 |
| 1FB1-UP; 1JB1-UP; 1HB1-UP; 1LB1-UP; 7CB1-UP | | | | | | | |
| 3G7607 | Head 9T6861 | | P-UB-10 | 2-3/4 | 6-1/2 | CTC-2355804 | 274.14 |
| MODEL 637G | | | | | | | |
| APRON | | | | | | | |
| AXT1-UP; CEH1-UP; DFJ1-UP; AWE1-UP; AYN1-UP; CEJ1-UP; CEM1-UP; DEX1-UP; DEY1-UP | | | | | | | |
| 8J5931 | | | | 3 | 8-1/4 | CTC-2442069 | 442.44 |
| BAIL | | | | | | | |
| AXT1-UP; CEH1-UP; DFJ1-UP; AWE1-UP; AYN1-UP; CEJ1-UP; CEM1-UP; DEX1-UP; DEY1-UP | | | | | | | |
| 1677434 | | | P-UB-10 | 1-3/4 | 3 | CTC-2275350 | 45.88 |
| BOWL | | | | | | | |
| AXT1-UP; CEH1-UP; DFJ1-UP; AWE1-UP; AYN1-UP; CEJ1-UP; CEM1-UP; DEX1-UP; DEY1-UP | | | | | | | |
| 9J0408 | | | | 2-3/4 | 7-1/4 | CTC-2435814 | 329.73 |
| 9J0409 | | | | 2-3/4 | 7-1/4 | CTC-2435814 | 329.73 |
| EJECTOR | | | | | | | |
| AXT1-UP; CEH1-UP; DFJ1-UP; AWE1-UP; AYN1-UP; CEJ1-UP; CEM1-UP; DEX1-UP; DEY1-UP | | | | | | | |
| 6E0897 | | | | 6 | 8-1/4 | CTC-2463442 | 951.18 |
| LOAD | | | | | | | |
| AXT1-UP; CEH1-UP; DFJ1-UP; AWE1-UP; AYN1-UP; CEJ1-UP; CEM1-UP; DEX1-UP; DEY1-UP | | | | | | | |
| 1083591 | | | | 2-1/2 | 6-1/2 | CTC-2435803 | 302.17 |
| SERVO | | | | | | | |
| AXT1-UP; CEH1-UP; DFJ1-UP; AWE1-UP; AYN1-UP; CEJ1-UP; CEM1-UP; DEX1-UP; DEY1-UP | | | | | | | |
| 9T6685 | | | I-U-10 | 3/4 | 1-1/2 | CTC-3651382 | 48.95 |
| STEERING | | | | | | | |
| AXT1-UP; CEH1-UP; DFJ1-UP; AWE1-UP; AYN1-UP; CEJ1-UP; CEM1-UP; DEX1-UP; DEY1-UP | | | | | | | |
| 3G7607 | | | P-UB-10 | 2-3/4 | 6-1/2 | CTC-2355804 | 274.14 |
| MODEL 637SC | | | | | | | |
| APRON | | | | | | | |
| 8J5931 | | | P-UB-10 | 3 | 8-1/4 | CTC-7X2695 | 441.94 |
| BAIL | | | | | | | |
| 7J2377 | | | P-U-10 | 2 | 3-1/2 | CTC-7X2806 | 166.43 |
| 8J6064 | | | P-U-10 | 2 | 3-1/2 | CTC-7X2806 | 166.43 |

CATERPILLAR®

REPLACEMENT KITS FOR CATERPILLAR® EQUIPMENT

| Scrapers | | | | | | | |
|--------------------|--------------------------------------|--------------------------------|---------|-------|-------|-------------|--------|
| APPLICATION | CYL # | Misc-Parts, Instructions, etc. | CODE | ROD | BORE | KIT # | |
| MODEL 637SC | | | | | | | |
| EJECTOR | | | | | | | |
| | 6E0897 | | I-U-10 | 6 | 8-1/4 | CTC-1180672 | 696.50 |
| | 6E0905 | | I-U-10 | 6 | 8-1/4 | CTC-1180672 | 696.50 |
| | 6J5824 | | I-U-10 | 6 | 8-1/4 | CTC-1180672 | 696.50 |
| | 6J5824 | | P-V-10 | 6 | 8-1/4 | CTC-8T1415 | 405.78 |
| | 9T3595 | | I-U-10 | 6 | 8-1/4 | CTC-1180672 | 696.50 |
| | 9T4887 | | I-U-10 | 6 | 8-1/4 | CTC-1180672 | 696.50 |
| LIFT LH | | | | | | | |
| | 7J2396 | | P-UB-10 | 2-3/4 | 7-1/4 | CTC-7X2687 | 282.70 |
| | 9J0409 | | P-UB-10 | 2-3/4 | 7-1/4 | CTC-7X2687 | 282.70 |
| LIFT RH | | | | | | | |
| | 7J2395 | | P-UB-10 | 2-3/4 | 7-1/4 | CTC-7X2687 | 282.70 |
| | 9J0408 | | P-UB-10 | 2-3/4 | 7-1/4 | CTC-7X2687 | 282.70 |
| LOAD | | | | | | | |
| | 7J3386 | | P-UB-10 | 2-1/2 | 6 | CTC-7X2836 | 204.35 |
| STEERING | | | | | | | |
| | 3G7607 | | P-UB-10 | 2-3/4 | 6-1/2 | CTC-7X2689 | 220.86 |
| | 5J7806 | | P-UB-10 | 2-1/2 | 6-1/2 | CTC-8T1376 | 109.10 |
| MODEL 639SC | | | | | | | |
| EJECTOR | | | | | | | |
| | 3G2949 | | P-UB-10 | 2-1/2 | 4-1/2 | CTC-7X2667 | 131.03 |
| LIFT | | | | | | | |
| | 3G9677 | | P-UB-10 | 2-3/4 | 7-1/4 | CTC-7X2687 | 282.70 |
| MODEL 641SC | | | | | | | |
| BOWL | | | | | | | |
| | 6J1983 | | P-UB-10 | 3 | 8-1/4 | CTC-7X2695 | 441.94 |
| BOWL LH | | | | | | | |
| | 7J4364 | | P-UB-10 | 3 | 8-1/4 | CTC-7X2695 | 441.94 |
| BOWL RH | | | | | | | |
| | 7J4363 | | P-UB-10 | 3 | 8-1/4 | CTC-7X2695 | 441.94 |
| LOAD | | | | | | | |
| | 5J8623 | | P-UB-10 | 3-1/2 | 8-1/4 | CTC-7X2728 | 239.96 |
| | 7J4623 | | P-UB-10 | 3-1/2 | 8-1/4 | CTC-7X2725 | 425.68 |
| MODEL 651C | | | | | | | |
| APRON | | | | | | | |
| | 5J8117 | | P-UB-10 | 3-1/4 | 9-1/4 | CTC-7X2708 | 279.54 |
| STEERING | | | | | | | |
| | 3G9689 | | P-UB-10 | 2-3/4 | 7-1/4 | CTC-7X2687 | 282.70 |
| | 5J8149 | | P-UB-10 | 2-3/4 | 7-1/4 | CTC-7X2687 | 282.70 |
| MODEL 651E | | | | | | | |
| APRON | | | | | | | |
| | 3G8621 | | P-UB-10 | 3-1/4 | 9-1/4 | CTC-7X2708 | 279.54 |
| | 4YR1-UP; 89Z1-UP; 5XR1-UP; 88Z205-UP | | | | | | |
| | 3G8621 | | | 3-1/4 | 9-1/4 | CTC-2450603 | 508.44 |
| | 4YR1-UP; 89Z1-UP; 88Z1-204 | | | | | | |
| | 3G8621 | | | 3-1/4 | 9-1/4 | CTC-2450602 | 485.39 |
| BOWL LH | | | | | | | |
| | 4YR1-UP; 89Z1-UP; 5XR1-UP; 88Z160-UP | | | | | | |
| | 4T5735 | | | 3-1/4 | 9-1/4 | CTC-2450609 | 386.12 |
| | 4YR1-UP; 89Z1-UP; 88Z1-159 | | | | | | |
| | 4T5735 | | | 3-1/4 | 9-1/4 | CTC-2450607 | 372.57 |
| BOWL LIFT | | | | | | | |
| | 4T5735 | | P-UB-10 | 3-1/4 | 9-1/4 | CTC-7X2716 | 218.92 |
| | 4T5736 | | P-UB-10 | 3-1/4 | 9-1/4 | CTC-7X2716 | 218.92 |
| BOWL RH | | | | | | | |
| | 4YR1-UP; 89Z1-UP; 5XR1-UP; 88Z156-UP | | | | | | |
| | 4T5736 | | | 3-1/4 | 9-1/4 | CTC-2450609 | 386.12 |

REPLACEMENT KITS FOR CATERPILLAR® EQUIPMENT

| Scrapers | | | | | | | |
|--|--------|--------------------------------|-----------|-------------|---------|--------------|---------|
| APPLICATION | CYL # | Misc-Parts, Instructions, etc. | CODE | ROD | BORE | KIT # | |
| MODEL 651E | | | | | | | |
| BOWL RH | | | | | | | |
| 4YR1-UP; 89Z1-UP; 88Z1-155 | | | | | | | |
| | 4T5736 | | | 3-1/4 | 9-1/4 | CTC-2450607 | 372.57 |
| CUSHION HITCH | | | | | | | |
| | 3G8757 | | P-UB-10 | 3-1/2 | 8-1/4 | CTC-7X2724 | 278.68 |
| EJECTOR | | | | | | | |
| 4YR1-UP; 89Z1-UP; 5XR1-UP; 88Z1-UP | | | | | | | |
| | 3G8617 | | I-U-10 | 7-1/4 | 10-1/4 | CTC-1891796 | 990.26 |
| 4YR1-UP; 89Z1-UP; 5XR207-UP | | | | | | | |
| | 3G8827 | | I,P-UB-10 | 4-1/2,6-3/4 | 6,7-3/4 | CTC-2456819 | 1220.85 |
| 4YR1-UP; 89Z1-UP; 88Z1-UP | | | | | | | |
| | 3G8617 | | P-V-10 | 7-1/4 | 10-1/4 | CTC-2481193 | 853.57 |
| LOAD | | | | | | | |
| | 3G8757 | | P-UB-10 | 3-1/2 | 8-1/4 | CTC-7X2724 | 278.68 |
| 4YR1-UP; 89Z1-UP; 5XR1-UP; 88Z1-UP | | | | | | | |
| | 3G8757 | Head 9T5702 | P-UB-10 | 3-1/2 | 8-1/4 | CTC-2456830 | 306.37 |
| | 3G8757 | Head 1627522 | P-UB-10 | 3-1/2 | 8-1/4 | CTC-SK100051 | 245.37 |
| PUMP | | | | | | | |
| 4YR; 25W; 58K; 65K; 66K; 67K; 68K | | | | | | | |
| | 9J5044 | | | | | CTC-9J5108 | 55.04 |
| SERVO | | | | | | | |
| 4YR1-UP; 89Z1-UP; 5XR1-UP; 88Z1-UP | | | | | | | |
| | 1U3895 | | I-U-10 | 3/4 | 1-1/2 | CTC-3651382 | 48.95 |
| | 4T9364 | | I-U-10 | 3/4 | 1-1/2 | CTC-3651382 | 48.95 |
| | 9T6685 | | I-U-10 | 3/4 | 1-1/2 | CTC-3651382 | 48.95 |
| STEERING | | | | | | | |
| | 3G5516 | | P-UB-10 | 3-1/4 | 7-1/4 | CTC-7X2718 | 265.45 |
| | 3G9689 | | P-UB-10 | 2-3/4 | 7-1/4 | CTC-7X2687 | 282.70 |
| | 4T8563 | | P-UB-10 | 3-1/4 | 7-1/4 | CTC-7X2718 | 265.45 |
| 89Z1-129; 88Z115-172 | | | | | | | |
| | 3G5516 | | | 3-1/4 | 7-1/4 | CTC-2450613 | 311.25 |
| | 4T8563 | | | 3-1/4 | 7-1/4 | CTC-2450613 | 311.25 |
| 89Z130-UP; 5XR1-UP; 88Z173-UP | | | | | | | |
| | 4T8563 | | | 3-1/4 | 7-1/4 | CTC-2450614 | 303.58 |
| MODEL 651SC | | | | | | | |
| APRON | | | | | | | |
| | 3G8621 | | P-UB-10 | 3-1/4 | 9-1/4 | CTC-7X2708 | 279.54 |
| BOWL | | | | | | | |
| | 7J4398 | | P-UB-10 | 3-1/4 | 9-1/4 | CTC-7X2716 | 218.92 |
| BOWL LH | | | | | | | |
| | 4T5735 | | P-UB-10 | 3-1/4 | 9-1/4 | CTC-7X2716 | 218.92 |
| LOAD | | | | | | | |
| | 5J8623 | | P-UB-10 | 3-1/2 | 8-1/4 | CTC-7X2728 | 239.96 |
| | 7J4623 | | P-UB-10 | 3-1/2 | 8-1/4 | CTC-7X2725 | 425.68 |
| STEERING | | | | | | | |
| | 4T8563 | | P-UB-10 | 3-1/4 | 7-1/4 | CTC-7X2718 | 265.45 |
| MODEL 657E | | | | | | | |
| APRON | | | | | | | |
| | 3G8621 | | P-UB-10 | 3-1/4 | 9-1/4 | CTC-7X2708 | 279.54 |
| 5YR1-UP; 6TR1-UP; 90Z1-UP; 91Z1-UP; 6MB1-108; 86Z1-311; 87Z1-UP | | | | | | | |
| | 3G8621 | | | 3-1/4 | 9-1/4 | CTC-2450602 | 485.39 |
| 5YR1-UP; 6TR1-UP; 90Z1-UP; 91Z1-UP; 6PR1-UP; 6MB109-UP; 7KR1-UP; 86Z312-UP | | | | | | | |
| | 3G8621 | | | 3-1/4 | 9-1/4 | CTC-2450603 | 508.44 |
| BAIL | | | | | | | |
| | 4T5638 | | P-UB-10 | 1-3/4 | 3 | CTC-7X2791 | 121.52 |
| | 8J8458 | | P-UB-10 | 1-1/2 | 3-1/2 | CTC-7X2752 | 130.85 |

CATERPILLAR®

REPLACEMENT KITS FOR CATERPILLAR® EQUIPMENT

| Scrapers | | | | | | | |
|---|-------|--------------------------------|-----------|-------------|---------|-------------|---------|
| APPLICATION | CYL # | Misc-Parts, Instructions, etc. | CODE | ROD | BORE | KIT # | |
| MODEL 657E | | | | | | | |
| BAIL | | | | | | | |
| 5YR1-UP; 91Z196-UP; 6MB1-UP; 6PR1-UP; 7KR1-UP; 86Z1-UP; 87Z1-UP | | | | | | | |
| 4T5638 | | | P-UB-10 | 1-3/4 | 3 | CTC-2402016 | 56.96 |
| 91Z1-195; 6MB1-UP; 6PR1-UP; 7KR1-UP; 86Z1-UP; 87Z1-UP | | | | | | | |
| 8J8458 | | | P-UB-10 | 1-1/2 | 3-1/2 | CTC-2465914 | 106.42 |
| BOWL LIFT | | | | | | | |
| 4T5735 | | | P-UB-10 | 3-1/4 | 9-1/4 | CTC-7X2716 | 218.92 |
| 4T5736 | | | P-UB-10 | 3-1/4 | 9-1/4 | CTC-7X2716 | 218.92 |
| 5YR1-UP; 6TR1-UP; 90Z1-UP; 91Z1-UP; 6MB1-92; 86Z1-242; 87Z1-UP | | | | | | | |
| 4T5735 | | | | 3-1/4 | 9-1/4 | CTC-2450607 | 372.57 |
| 4T5736 | | | | 3-1/4 | 9-1/4 | CTC-2450607 | 372.57 |
| 5YR1-UP; 6TR1-UP; 90Z1-UP; 91Z1-UP; 6MB93-UP; 6PR1-UP; 7KR1-UP; 86Z243-UP | | | | | | | |
| 4T5735 | | | | 3-1/4 | 9-1/4 | CTC-2450609 | 386.12 |
| 4T5736 | | | | 3-1/4 | 9-1/4 | CTC-2450609 | 386.12 |
| CUSHION HITCH | | | | | | | |
| 3G8757 | | | P-UB-10 | 3-1/2 | 8-1/4 | CTC-7X2724 | 278.68 |
| EJECTOR | | | | | | | |
| 9T4886 | | | P-U-10 | 4-1/2 | 6 | CTC-8C6958 | 355.11 |
| 9T4887 | | | I-U-10 | 6 | 8-1/4 | CTC-1180672 | 696.50 |
| 9T4887 | | | P-V-10 | 6 | 8-1/4 | CTC-8T1415 | 405.78 |
| 5YR1-UP; 6TR1-UP; 90Z1-UP; 91Z1-UP; 6MB1-UP; 6PR1-UP; 7KR1-UP; 86Z1-UP; 87Z1-UP | | | | | | | |
| | | | I,P-UB-10 | 4-1/2,6-3/4 | 6,7-3/4 | CTC-2456819 | 1220.85 |
| 5YR1-UP; 6TR1-UP; 90Z1-UP; 91Z1-UP; 6MB1-UP; 86Z1-UP | | | | | | | |
| 9T4886 | | | P-U-10 | 4-1/2 | 6 | CTC-8C6958 | 355.11 |
| LOAD | | | | | | | |
| 3G8757 | | | P-UB-10 | 3-1/2 | 8-1/4 | CTC-7X2724 | 278.68 |
| 5YR1-UP; 6TR1-UP; 90Z1-UP; 91Z1-UP; 6MB1-UP; 6PR1-UP; 7KR1-UP; 86Z1-UP; 87Z1-UP | | | | | | | |
| 3G8757 | | | P-UB-10 | 3-1/2 | 8-1/4 | CTC-2456830 | 306.37 |
| SERVO | | | | | | | |
| 5YR1-UP; 6TR1-UP; 90Z1-UP; 91Z1-UP; 6MB1-UP; 6PR1-UP; 7KR1-UP; 86Z1-UP; 87Z1-UP | | | | | | | |
| 1U3895 | | | I-U-10 | 3/4 | 1-1/2 | CTC-3651382 | 48.95 |
| 4T9364 | | | I-U-10 | 3/4 | 1-1/2 | CTC-3651382 | 48.95 |
| 9T6685 | | | I-U-10 | 3/4 | 1-1/2 | CTC-3651382 | 48.95 |
| STEERING | | | | | | | |
| 3G5516 | | | P-UB-10 | 3-1/4 | 7-1/4 | CTC-7X2718 | 265.45 |
| 4T8563 | | | P-UB-10 | 3-1/4 | 7-1/4 | CTC-7X2718 | 265.45 |
| 5YR1-UP; 6TR1-UP; 90Z1-UP; 91Z1-UP; 6MB102-UP; 6PR1-UP; 7KR1-UP; 86Z275-UP | | | | | | | |
| 4T8563 | | | | 3-1/4 | 7-1/4 | CTC-2450614 | 303.58 |
| 91Z1-244; 6MB73-101; 86Z145-274; 87Z1-UP; 90Z1-179 | | | | | | | |
| 3G5516 | | | | 3-1/4 | 7-1/4 | CTC-2450613 | 311.25 |
| 4T8563 | | | | 3-1/4 | 7-1/4 | CTC-2450613 | 311.25 |
| MODEL 657G | | | | | | | |
| APRON | | | | | | | |
| A4G1-UP; W1B1-UP; W1C1-UP; GER1-UP; W1E1-UP; W1F1-UP | | | | | | | |
| | | | | 3-1/4 | 9-1/4 | CTC-2450603 | 508.44 |
| BAIL | | | | | | | |
| W1C1-UP; GER1-UP; W1E1-UP; W1F1-UP | | | | | | | |
| | | | P-UB-10 | 1-3/4 | 3 | CTC-2275350 | 45.88 |
| BOWL | | | | | | | |
| A4G1-UP; W1B1-UP; W1C1-UP; GER1-UP; W1E1-UP; W1F1-UP | | | | | | | |
| | | | | 3-1/4 | 9-1/4 | CTC-2450609 | 386.12 |
| EJECTOR | | | | | | | |
| A4G1-UP; W1B1-UP; W1C1-UP; GER1-UP | | | | | | | |
| | | | P-U-10 | 4-1/2 | 6 | CTC-8C6958 | 355.11 |
| A4G1-UP; W1B1-UP; W1C1-UP; W1F1-UP | | | | | | | |
| | | | I,P-UB-10 | 4-1/2,6-3/4 | 6,7-3/4 | CTC-2456819 | 1220.85 |

REPLACEMENT KITS FOR CATERPILLAR® EQUIPMENT

| Scrapers | | | | | | | |
|-------------------------------|---------|--|---------|-------|-------|-------------|---------|
| APPLICATION | CYL # | Misc-Parts, Instructions, etc. | CODE | ROD | BORE | KIT # | |
| MODEL 657G | | | | | | | |
| LOAD | | | | | | | |
| | | A4G1-UP; W1B1-UP; W1C1-UP; GER1-UP; W1E1-UP; W1F1-UP | | | | | |
| | | | P-UB-10 | 3-1/2 | 8-1/4 | CTC-2456830 | 306.37 |
| SERVO | | | | | | | |
| | | A4G1-UP; W1B1-UP; W1C1-UP; GER1-UP; W1E1-UP; W1F1-UP | | | | | |
| | | | I-U-10 | 3/4 | 1-1/2 | CTC-3651382 | 48.95 |
| STEERING | | | | | | | |
| | | A4G1-UP; W1B1-UP; W1C1-UP; GER1-UP; W1E1-UP; W1F1-UP | | | | | |
| | | | | 3-1/4 | 7-1/4 | CTC-2450614 | 303.58 |
| MODEL 657SC | | | | | | | |
| APRON | | | | | | | |
| | 3G8621 | | P-UB-10 | 3-1/4 | 9-1/4 | CTC-7X2708 | 279.54 |
| | 5J8117 | | P-UB-10 | 3-1/4 | 9-1/4 | CTC-7X2708 | 279.54 |
| BAIL | | | | | | | |
| | 7J2377 | | P-U-10 | 2 | 3-1/2 | CTC-7X2806 | 166.43 |
| | 8J6062 | | P-U-10 | 2 | 3-1/2 | CTC-7X2806 | 166.43 |
| | 8J8457 | | P-UB-10 | 1-1/2 | 3-1/2 | CTC-7X2752 | 130.85 |
| BOWL | | | | | | | |
| | 7J4398 | | P-UB-10 | 3-1/4 | 9-1/4 | CTC-7X2716 | 218.92 |
| BOWL LH | | | | | | | |
| | 4T5735 | | P-UB-10 | 3-1/4 | 9-1/4 | CTC-7X2716 | 218.92 |
| BOWL RH | | | | | | | |
| | 7J4397 | | P-UB-10 | 3-1/4 | 9-1/4 | CTC-7X2716 | 218.92 |
| LOAD | | | | | | | |
| | 5J8623 | | P-UB-10 | 3-1/2 | 8-1/4 | CTC-7X2728 | 239.96 |
| | 7J4623 | | P-UB-10 | 3-1/2 | 8-1/4 | CTC-7X2725 | 425.68 |
| STEERING | | | | | | | |
| | 4T8563 | | P-UB-10 | 3-1/4 | 7-1/4 | CTC-7X2718 | 265.45 |
| MODEL 660SC, 666SC | | | | | | | |
| BOWL LH | | | | | | | |
| | 7J4356 | | P-UB-10 | 3-1/4 | 9-1/4 | CTC-7X2716 | 218.92 |
| Skidders | | | | | | | |
| APPLICATION | CYL # | Misc-Parts, Instructions, etc. | CODE | ROD | BORE | KIT # | List \$ |
| MODEL 515, 525 | | | | | | | |
| LIFT | | | | | | | |
| | 1117951 | | P-UB-10 | 2 | 4 | CTC-1113302 | 163.17 |
| | 1397547 | | P-UB-10 | 2 | 4 | CTC-1113302 | 163.17 |
| MODEL 517 | | | | | | | |
| ANGLING | | | | | | | |
| | 1006174 | | P-UB-10 | 1-3/4 | 3-1/2 | CTC-7X2784 | 77.28 |
| LIFT | | | | | | | |
| | 6E0365 | | P-UB-10 | 2 | 4-1/4 | CTC-7X2819 | 144.19 |
| TILT | | | | | | | |
| | 9T9557 | | P-UB-10 | 2 | 4-1/4 | CTC-1378662 | 176.06 |
| MODEL 518C, 520D, 522C | | | | | | | |
| LIFT | | | | | | | |
| | 1117951 | | P-UB-10 | 2 | 4 | CTC-1113302 | 163.17 |
| | 1397547 | | P-UB-10 | 2 | 4 | CTC-1113302 | 163.17 |
| | 7J8925 | 518C & 522C only | P-UB-10 | 2 | 4 | CTC-1328816 | 127.22 |
| STEERING LH | | | | | | | |
| | 7J3350 | | P-UB-10 | 1-3/4 | 3 | CTC-7X2825 | 73.65 |
| STEERING RH | | | | | | | |
| | 7J3349 | | P-UB-10 | 1-3/4 | 3 | CTC-7X2825 | 73.65 |
| MODEL 520C | | | | | | | |
| LIFT | | | | | | | |
| | 7J8925 | | P-UB-10 | 2 | 4 | CTC-7X2789 | 139.93 |

CATERPILLAR®

REPLACEMENT KITS FOR CATERPILLAR® EQUIPMENT

| Skidders | | | | | | | |
|------------------------|---------------|--------------------------------|---------|-------|-------|-------------|--------|
| APPLICATION | CYL # | Misc-Parts, Instructions, etc. | CODE | ROD | BORE | KIT # | |
| MODEL 520C | | | | | | | |
| STEERING RH | | | | | | | |
| | 7J3349 | | P-UB-10 | 1-3/4 | 3 | CTC-7X2791 | 121.52 |
| MODEL 525B | | | | | | | |
| LIFT | | | | | | | |
| | 1600492 | | P-UB-10 | 2-1/4 | 4 | CTC-1546526 | 196.04 |
| MODEL 527 | | | | | | | |
| LIFT | | | | | | | |
| | 1418640 | | P-UB-10 | 2-1/4 | 3-3/4 | CTC-1361897 | 184.83 |
| | 1607610 | | P-UB-10 | 2-1/2 | 4-3/4 | CTC-1328811 | 209.77 |
| | 6E0366 | | P-UB-10 | 2-1/2 | 4-3/4 | CTC-1328811 | 209.77 |
| MODEL 528B | | | | | | | |
| DOZER | | | | | | | |
| | 7J9902 | | P-UB-10 | 2 | 4-1/4 | CTC-7X2819 | 144.19 |
| STEERING LH | | | | | | | |
| | 9J5856 | | P-UB-10 | 1-3/4 | 3-3/4 | CTC-1329361 | 59.40 |
| STEERING RH | | | | | | | |
| | 9J5854 | | P-UB-10 | 1-3/4 | 3-3/4 | CTC-1329361 | 59.40 |
| MODEL 530B | | | | | | | |
| DOZER | | | | | | | |
| | 7J9902 | | P-UB-10 | 2 | 4-1/4 | CTC-7X2819 | 144.19 |
| LIFT | | | | | | | |
| | 7J9902 | | P-UB-10 | 2 | 4-1/4 | CTC-7X2819 | 144.19 |
| STEERING | | | | | | | |
| | 9J5854 | | P-UB-10 | 1-3/4 | 3-3/4 | CTC-1329361 | 59.40 |
| | 9J5856 | | P-UB-10 | 1-3/4 | 3-3/4 | CTC-1329361 | 59.40 |
| MODEL 535B, 545 | | | | | | | |
| LIFT | | | | | | | |
| | 1600492 | | P-UB-10 | 2-1/4 | 4 | CTC-1546526 | 196.04 |
| MODEL FB508 | | | | | | | |
| GRAPPLE | | | | | | | |
| | 4T0860 | | P-UB-10 | 1-1/2 | 3-1/4 | CTC-7X2741 | 99.43 |
| | 4T0861 | | P-UB-10 | 1-1/2 | 3-1/4 | CTC-7X2741 | 99.43 |
| | 9T5924 | | P-UB-10 | 1-1/2 | 3-1/4 | CTC-7X2741 | 99.43 |
| MODEL FB518 | | | | | | | |
| LIFT | | | | | | | |
| | 9T1773 | | P-UB-10 | 2-1/2 | 5 | CTC-7X2658 | 230.88 |
| STEERING | | | | | | | |
| | 7J3349 | | P-UB-10 | 1-3/4 | 3 | CTC-7X2791 | 121.52 |
| | 7J3350 | | P-UB-10 | 1-3/4 | 3 | CTC-7X2791 | 121.52 |
| TILT LH | | | | | | | |
| | 9T1777 | | P-UB-10 | 2-1/4 | 4-1/4 | CTC-7X2750 | 156.90 |
| TILT RH | | | | | | | |
| | 9T1772 | | P-UB-10 | 2-1/4 | 4-1/4 | CTC-7X2750 | 156.90 |
| Soil Compactors | | | | | | | |
| APPLICATION | CYL # | Misc-Parts, Instructions, etc. | CODE | ROD | BORE | KIT # | |
| MODEL 815 | | | | | | | |
| LIFT | | | | | | | |
| | 3G0881 | | P-UB-10 | 2 | 4 | CTC-7X2789 | 139.93 |
| | 8J6809 | | P-UB-10 | 2 | 4 | CTC-7X2755 | 156.44 |
| | 8J8756 | | P-UB-10 | 2 | 4 | CTC-7X2789 | 139.93 |
| LIFT RH | | | | | | | |
| | 4J7859 | | P-UB-10 | 2 | 4 | CTC-7X2755 | 156.44 |
| PUMP | | | | | | | |
| | 15R; 57U; 91P | | | | | | |
| | 9J5067 | | | | | CTC-9J5114 | 36.87 |

REPLACEMENT KITS FOR CATERPILLAR® EQUIPMENT

| Soil Compactors | | | | | | | |
|-------------------|--------|--------------------------------|---------|-------|-------|-------------|--------|
| APPLICATION | CYL # | Misc-Parts, Instructions, etc. | CODE | ROD | BORE | KIT # | |
| MODEL 815 | | | | | | | |
| STEERING | | | | | | | |
| | 4T1574 | | P-UB-10 | 2 | 4 | CTC-1328816 | 127.22 |
| | 4T1574 | | P-UB-10 | 2 | 4 | CTC-7X2789 | 139.93 |
| | 7J6054 | | P-UB-10 | 2 | 4 | CTC-7X2755 | 156.44 |
| STEERING LH | | | | | | | |
| | 7J9356 | | P-UB-10 | 2 | 4 | CTC-7X2755 | 156.44 |
| STEERING RH | | | | | | | |
| | 7J9355 | | P-UB-10 | 2 | 4 | CTC-7X2755 | 156.44 |
| TILT | | | | | | | |
| | 1U1988 | | P-UB-10 | 2 | 4 | CTC-7X2755 | 156.44 |
| MODEL 815B | | | | | | | |
| LIFT | | | | | | | |
| | 3G0881 | | P-UB-10 | 2 | 4 | CTC-1328816 | 127.22 |
| | 8J6809 | | P-UB-10 | 2 | 4 | CTC-7X2755 | 156.44 |
| STEERING | | | | | | | |
| | 4T1574 | | P-UB-10 | 2 | 4 | CTC-1328816 | 127.22 |
| | 6E5024 | | P-UB-10 | 2 | 4 | CTC-1113302 | 163.17 |
| TILT | | | | | | | |
| | 1U1988 | | P-UB-10 | 2 | 4 | CTC-7X2755 | 156.44 |
| MODEL 815F | | | | | | | |
| LIFT | | | | | | | |
| | 3G0881 | | P-UB-10 | 2 | 4 | CTC-1328816 | 127.22 |
| STEERING | | | | | | | |
| | 4T1574 | | P-UB-10 | 2 | 4 | CTC-1328816 | 127.22 |
| | 6E5024 | | P-UB-10 | 2 | 4 | CTC-1113302 | 163.17 |
| MODEL 815S | | | | | | | |
| TILT | | | | | | | |
| | 1U1988 | | P-UB-10 | 2 | 4 | CTC-7X2755 | 156.44 |
| MODEL 825 | | | | | | | |
| LIFT | | | | | | | |
| | 8J2650 | | P-UB-10 | 2 | 4-1/2 | CTC-7X2768 | 121.61 |
| | 9J7934 | | P-UB-10 | 2 | 4-1/2 | CTC-7X2768 | 121.61 |
| STEERING LH | | | | | | | |
| | 9J7087 | | P-UB-10 | 2-1/4 | 5 | CTC-7X2729 | 222.67 |
| STEERING RH | | | | | | | |
| | 9J7086 | | P-UB-10 | 2-1/4 | 5 | CTC-7X2729 | 222.67 |
| TILT | | | | | | | |
| | 9J7951 | | P-UB-10 | 2 | 4-1/2 | CTC-7X2768 | 121.61 |
| MODEL 825B | | | | | | | |
| LIFT | | | | | | | |
| | 4J9233 | | P-V-10 | 2 | 4-1/2 | CTC-7X2770 | 134.35 |
| | 7J9818 | | P-UB-10 | 3 | 7-1/4 | CTC-7X2699 | 282.79 |
| | 8J2650 | | P-UB-10 | 2 | 4-1/2 | CTC-7X2768 | 121.61 |
| | 9J7934 | | P-UB-10 | 2 | 4-1/2 | CTC-7X2768 | 121.61 |
| STEERING | | | | | | | |
| | 6J7590 | | P-UB-10 | 2-1/4 | 5 | CTC-7X2729 | 222.67 |
| | 7J9718 | | P-UB-10 | 2-1/4 | 5 | CTC-7X2729 | 222.67 |
| | 7K9401 | | P-UB-10 | 2-1/4 | 5 | CTC-7X2729 | 222.67 |
| STEERING LH | | | | | | | |
| | 9J7087 | | P-UB-10 | 2-1/4 | 5 | CTC-7X2729 | 222.67 |
| STEERING RH | | | | | | | |
| | 9J7086 | | P-UB-10 | 2-1/4 | 5 | CTC-7X2729 | 222.67 |
| TILT | | | | | | | |
| | 9J7951 | | P-UB-10 | 2 | 4-1/2 | CTC-7X2768 | 121.61 |

REPLACEMENT KITS FOR CATERPILLAR® EQUIPMENT

| Soil Compactors | | | | | | | |
|-------------------------------------|-----------------------------|--------------------------------|---------|-------|--------|--------------|---------|
| APPLICATION | CYL # | Misc-Parts, Instructions, etc. | CODE | ROD | BORE | KIT # | |
| MODEL 825C | | | | | | | |
| LIFT | | | | | | | |
| | 7J9818 | | P-UB-10 | 3 | 7-1/4 | CTC-7X2699 | 282.79 |
| | 8J2650 | | P-UB-10 | 2 | 4-1/2 | CTC-7X2768 | 121.61 |
| | 9J7934 | | P-UB-10 | 2 | 4-1/2 | CTC-7X2768 | 121.61 |
| STEERING LH | | | | | | | |
| | 9J7087 | | P-UB-10 | 2-1/4 | 5 | CTC-9X6392 | 219.47 |
| STEERING RH | | | | | | | |
| | 9J7086 | | P-UB-10 | 2-1/4 | 5 | CTC-9X6392 | 219.47 |
| TILT | | | | | | | |
| | 9J7951 | | P-UB-10 | 2 | 4-1/2 | CTC-7X2768 | 121.61 |
| MODEL 825G | | | | | | | |
| LIFT | | | | | | | |
| | 1199226 | | P-UB-10 | 2-1/4 | 3-3/4 | CTC-1361897 | 184.83 |
| | 1447349 | | P-UB-10 | 2-1/4 | 3-3/4 | CTC-1361897 | 184.83 |
| | 1493236 | | P-UB-10 | 2-1/4 | 3-3/4 | CTC-1361897 | 184.83 |
| STEERING | | | | | | | |
| | 1175151 | | P-UB-10 | 2-1/2 | 4-1/2 | CTC-1113300 | 187.32 |
| TILT | | | | | | | |
| | 1198863 | | P-UB-10 | 2 | 3-3/4 | CTC-7X7938 | 143.47 |
| MODEL 835 | | | | | | | |
| LIFT | | | | | | | |
| | 4J9233 | | P-V-10 | 2 | 4-1/2 | CTC-7X2770 | 134.35 |
| STEERING | | | | | | | |
| | 7J9984 | | P-UB-10 | 2-1/4 | 5 | CTC-7X2729 | 222.67 |
| Telehandlers | | | | | | | |
| APPLICATION | CYL # | Misc-Parts, Instructions, etc. | CODE | ROD | BORE | KIT # | List \$ |
| MODEL TH62, TH63, TH82, TH83 | | | | | | | |
| MULTIPURPOSE BUCKET | | | | | | | |
| | 9T4006 | | P-UB-10 | 1-1/2 | 3 | CTC-1856583 | 62.81 |
| UNSPECIFIED APPLICATION | | | | | | | |
| | 9T4006 | | P-UB-10 | 1-1/2 | 3 | CTC-7X2737 | 148.96 |
| MODEL TH355B | | | | | | | |
| AXLE LOCK | | | | | | | |
| | SLE1- 2050055 | | P-U-10 | 2 | 100 mm | CTC-4394536 | 104.35 |
| BOOM | | | | | | | |
| | SLE1-4499 2028910 | | P-U-10 | 4 | 5-1/4 | CTC-4394330 | 186.94 |
| | SLE1-4499; JRK1- 2251846 | | P-U-10 | 4 | 5-1/4 | CTC-2251846K | 191.14 |
| | SLE4500- 2533933 | | P-U-10 | 4 | 5-1/4 | CTC-2533933K | 191.14 |
| | 2533964 | | P-U-10 | 4 | 5-1/4 | CTC-2533964K | 191.14 |
| BUCKET MULTIPURPOSE | | | | | | | |
| | SLE1-; JRK1- 9T4006 | | P-UB-10 | 1-1/2 | 3 | CTC-1856583 | 62.81 |
| CARRIAGE - Side Shift | | | | | | | |
| | SLE1-; JRK1- 2245091 | | P-UB-10 | 1-1/2 | 3 | CTC-2245091K | 45.97 |
| COUPLER | | | | | | | |
| | SLE1- 2364442 | | P-U-10 | 25 mm | 50 mm | CTC-2392956 | 46.25 |
| FORK | | | | | | | |
| | SLE1-; JRK1- 2799336 | | P-U-10 | 75 mm | 125 mm | CTC-2799336K | 198.90 |

REPLACEMENT KITS FOR CATERPILLAR® EQUIPMENT

| Telehandlers | | | | | | | |
|-----------------------|---------|--------------------------------|---------|-------|--------|---------------|--------|
| APPLICATION | CYL # | Misc-Parts, Instructions, etc. | CODE | ROD | BORE | KIT # | |
| MODEL TH355B | | | | | | | |
| FRAME LEVELING | | | | | | | |
| SLE4500-; JRK1- | | | | | | | |
| | 2047813 | | P-U-10 | 2 | 100 mm | CTC-4394536 | 104.35 |
| STABILIZER | | | | | | | |
| SLE1- | | | | | | | |
| | 2598723 | | P-U-10 | 55 mm | 115 mm | CTC-2598723K | 155.59 |
| SLE1-; JRK1- | | | | | | | |
| | 2072068 | | P-U-10 | 55 mm | 125 mm | CTC-4395349 | 200.12 |
| STEERING | | | | | | | |
| SLE1-; JRK1- | | | | | | | |
| | 2167483 | | I-U-10 | 38 mm | 85 mm | CTC-2172886 | 185.27 |
| TAIL GATE | | | | | | | |
| SLE1- | | | | | | | |
| | 2037847 | HEAD 2037855 | P-U-10 | 45 mm | 75 mm | CTC-2037847K2 | 74.07 |
| SLE1-; JRK1- | | | | | | | |
| | 2037847 | HEAD 1662843 | P-U-10 | 45 mm | 75 mm | CTC-4398573 | 64.13 |
| TELESCOPING | | | | | | | |
| SLE1-1231 | | | | | | | |
| | 2319220 | | P-U-10 | 70 mm | 100 mm | CTC-2331014 | 110.17 |
| SLE1232- | | | | | | | |
| | 2413160 | | P-U-10 | 70 mm | 100 mm | CTC-2331014 | 110.17 |
| TILT | | | | | | | |
| SLE1-; JRK1- | | | | | | | |
| | 2037756 | | P-U-10 | 75 mm | 125 mm | CTC-4393847 | 194.53 |
| MODEL TH360B | | | | | | | |
| AXLE LOCK | | | | | | | |
| SLE1- | | | | | | | |
| | 2050055 | | P-U-10 | 2 | 100 mm | CTC-4394536 | 104.35 |
| BOOM | | | | | | | |
| SLE1-4499 | | | | | | | |
| | 2028910 | | P-U-10 | 4 | 5-1/4 | CTC-4394330 | 186.94 |
| SLE1-4499; JRK1- | | | | | | | |
| | 2251846 | | P-U-10 | 4 | 5-1/4 | CTC-2251846K | 191.14 |
| SLE4500- | | | | | | | |
| | 2533933 | | P-U-10 | 4 | 5-1/4 | CTC-2533933K | 191.14 |
| | 2533964 | | P-U-10 | 4 | 5-1/4 | CTC-2533964K | 191.14 |
| BUCKET MULTIPURPOSE | | | | | | | |
| SLE1-; JRK1- | | | | | | | |
| | 9T4006 | | P-UB-10 | 1-1/2 | 3 | CTC-1856583 | 62.81 |
| CARRIAGE - Side Shift | | | | | | | |
| SLE1-; JRK1- | | | | | | | |
| | 2245091 | | P-UB-10 | 1-1/2 | 3 | CTC-2245091K | 45.97 |
| COUPLER | | | | | | | |
| SLE1- | | | | | | | |
| | 2364442 | | P-U-10 | 25 mm | 50 mm | CTC-2392956 | 46.25 |
| FORK | | | | | | | |
| SLE1-; JRK1- | | | | | | | |
| | 2799336 | | P-U-10 | 75 mm | 125 mm | CTC-2799336K | 198.90 |
| FRAME LEVELING | | | | | | | |
| SLE4500-; JRK1- | | | | | | | |
| | 2047813 | | P-U-10 | 2 | 100 mm | CTC-4394536 | 104.35 |
| STABILIZER | | | | | | | |
| SLE1- | | | | | | | |
| | 2598723 | | P-U-10 | 55 mm | 115 mm | CTC-2598723K | 155.59 |
| SLE1-; JRK1- | | | | | | | |
| | 2072068 | | P-U-10 | 55 mm | 125 mm | CTC-4395349 | 200.12 |

REPLACEMENT KITS FOR CATERPILLAR® EQUIPMENT

| Telehandlers | | | | | | | |
|----------------------------------|---------|--------------------------------|---------|-------|--------|---------------|--------|
| APPLICATION | CYL # | Misc-Parts, Instructions, etc. | CODE | ROD | BORE | KIT # | |
| MODEL TH360B | | | | | | | |
| STEERING | | | | | | | |
| SLE1-; JRK1- | | | | | | | |
| | 2167483 | | I-U-10 | 38 mm | 85 mm | CTC-2172886 | 185.27 |
| TAIL GATE | | | | | | | |
| SLE1- | | | | | | | |
| | 2037847 | HEAD 2037855 | P-U-10 | 45 mm | 75 mm | CTC-2037847K2 | 74.07 |
| SLE1-; JRK1- | | | | | | | |
| | 2037847 | HEAD 1662843 | P-U-10 | 45 mm | 75 mm | CTC-4398573 | 64.13 |
| TELESCOPING | | | | | | | |
| SLE1-1231 | | | | | | | |
| | 2319220 | | P-U-10 | 70 mm | 100 mm | CTC-2331014 | 110.17 |
| SLE1232- | | | | | | | |
| | 2413160 | | P-U-10 | 70 mm | 100 mm | CTC-2331014 | 110.17 |
| TILT | | | | | | | |
| SLE1-; JRK1- | | | | | | | |
| | 2037756 | | P-U-10 | 75 mm | 125 mm | CTC-4393847 | 194.53 |
| MODEL TL642 | | | | | | | |
| CARRIAGE - Dual Fork Positioning | | | | | | | |
| TBK00100- | | | | | | | |
| | 4179881 | | I-U-4 | 1-1/8 | 2 | CTC-4179889 | 126.63 |
| CARRIAGE - Side Shift | | | | | | | |
| TBK00100- | | | | | | | |
| | 3622120 | | I-U-10 | 1-1/4 | 2-1/2 | CTC-3276314 | 24.43 |
| CARRIAGE - Swing | | | | | | | |
| TBK00100- | | | | | | | |
| | 3755001 | | I-U-10 | 1-1/4 | 2-1/2 | CTC-3276314 | 24.43 |
| OUTRIGGER | | | | | | | |
| Before TBK01162 | | | | | | | |
| | 2991323 | Head 3052089, Piston 3052088 | P-UB-10 | 2-1/2 | 5 | CTC-2991323K1 | 70.04 |
| TBK01162- | | | | | | | |
| | 2991323 | Head 4176015, Piston 4176009 | I-U-10 | 2-1/2 | 5 | CTC-4176026 | 95.88 |
| QUICK COUPLER | | | | | | | |
| TBK00100- | | | | | | | |
| | 2953419 | | P-U-10 | 25 mm | 50 mm | CTC-3056015 | 56.46 |
| MODEL TL943 | | | | | | | |
| CARRIAGE - Dual Fork Positioning | | | | | | | |
| TBL00100- | | | | | | | |
| | 4179881 | Kit includes Rod Gland. | I-U-4 | 1-1/8 | 2 | CTC-4179889 | 126.63 |
| CARRIAGE - Side Shift | | | | | | | |
| TBL00100- | | | | | | | |
| | 3622120 | | I-U-10 | 1-1/4 | 2-1/2 | CTC-3276314 | 24.43 |
| CARRIAGE - Swing | | | | | | | |
| TBL00100- | | | | | | | |
| | 3755001 | | I-U-10 | 1-1/4 | 2-1/2 | CTC-3276314 | 24.43 |
| COMPENSATING | | | | | | | |
| Before TBL00990 | | | | | | | |
| | 2988649 | | P-UB-14 | 2-1/2 | 5-1/2 | CTC-2990530 | 245.17 |
| TBL00990- | | | | | | | |
| | 3249539 | | P-UB-14 | 2-1/2 | 5-1/2 | CTC-3249539K | 225.01 |
| CROWD | | | | | | | |
| Before TBL01001 | | | | | | | |
| | 2988618 | | P-UB-14 | 3 | 4 | CTC-2990516 | 178.31 |
| TBL01001- | | | | | | | |
| | 3248347 | | P-UB-14 | 3 | 4 | CTC-3858057 | 118.08 |

REPLACEMENT KITS FOR CATERPILLAR® EQUIPMENT

| Telehandlers | | | | | | | |
|---|------------------------------|--------------------------------|---------|-------|--------|---------------|--------|
| APPLICATION | CYL # | Misc-Parts, Instructions, etc. | CODE | ROD | BORE | KIT # | |
| MODEL TL943 | | | | | | | |
| LIFT | | | | | | | |
| Before TBL00970 | | | | | | | |
| 2988627 | | | P-UB-14 | 3-3/4 | 7 | CTC-2990515 | 293.65 |
| TBL00970-01598, excluding 01551, 01585 | | | | | | | |
| 3249540 | | | P-UB-14 | 3-3/4 | 7 | CTC-3631202 | 273.92 |
| TBL01599-, including 01551, 01585 | | | | | | | |
| 3612843 | | | P-UB-14 | 3-3/4 | 7 | CTC-3631202 | 273.92 |
| 3612867 | | | P-UB-14 | 3-3/4 | 7 | CTC-3631202 | 273.92 |
| OUTRIGGER | | | | | | | |
| Before TBL01591, excluding 1585 | | | | | | | |
| 2991323 | Head 3052089, Piston 3052088 | | P-UB-10 | 2-1/2 | 5 | CTC-2991323K1 | 70.04 |
| TBL01591-, including 1585 | | | | | | | |
| 2991323 | Head 4176015, Piston 4176009 | | I-U-10 | 2-1/2 | 5 | CTC-4176026 | 95.88 |
| QUICK COUPLER | | | | | | | |
| TBL00100- | | | | | | | |
| 2953419 | | | P-U-10 | 25 mm | 50 mm | CTC-3056015 | 56.46 |
| STEERING | | | | | | | |
| TBL00100- | | | | | | | |
| 3052050 | | | I-U-10 | 50 mm | 100 mm | CTC-3044561 | 71.78 |
| SWAY | | | | | | | |
| Before TBL00944 | | | | | | | |
| 2988626 | | | P-UB-14 | 2 | 4 | CTC-2990517 | 203.75 |
| TBL00944- | | | | | | | |
| 3248346 | | | P-UB-14 | 2 | 4 | CTC-3248346K | 151.68 |
| TILT | | | | | | | |
| Before TBL00970 | | | | | | | |
| 2988648 | | | P-UB-14 | 2-1/2 | 5-1/2 | CTC-2990529 | 220.06 |
| TBL00970- | | | | | | | |
| 3249541 | | | P-UB-14 | 2-1/2 | 5-1/2 | CTC-3249541K | 205.87 |
| MODEL TL1055 | | | | | | | |
| CARRIAGE - Dual Fork Positioning | | | | | | | |
| TBM00100- | | | | | | | |
| 4179881 | | | I-U-4 | 1-1/8 | 2 | CTC-4179889 | 126.63 |
| CARRIAGE - Side Shift | | | | | | | |
| TBM00100- | | | | | | | |
| 3622120 | | | I-U-10 | 1-1/4 | 2-1/2 | CTC-3276314 | 24.43 |
| CARRIAGE - Swing | | | | | | | |
| TBM00100- | | | | | | | |
| 3755001 | | | I-U-10 | 1-1/4 | 2-1/2 | CTC-3276314 | 24.43 |
| COMPENSATING | | | | | | | |
| TBM00100-00556 | | | | | | | |
| 2988461 | | | P-UB-14 | 2-1/2 | 5-3/4 | CTC-3353866 | 310.36 |
| TBM00557-00841, excluding 00839 | | | | | | | |
| 3250044 | | | P-UB-14 | 2-1/2 | 5-3/4 | CTC-3418115 | 410.08 |
| TBM00842-01376, including 00839 | | | | | | | |
| 3313808 | | | P-UB-14 | 2-1/2 | 5-3/4 | CTC-3418115 | 410.08 |
| TBM01377- | | | | | | | |
| 3963661 | | | P-U-14 | 2-1/2 | 5-3/4 | CTC-4175758 | 231.82 |
| CROWD | | | | | | | |
| TBM00100-00631 | | | | | | | |
| 2988459 | | | P-UB-14 | 3 | 4-3/4 | CTC-2990477 | 302.85 |
| TBM00632-00809 | | | | | | | |
| 3250042 | | | P-UB-14 | 3 | 4-3/4 | CTC-3417059 | 257.60 |
| TBM00810-01365 | | | | | | | |
| 3313806 | | | P-UB-14 | 3 | 4-3/4 | CTC-3417059 | 257.60 |

REPLACEMENT KITS FOR CATERPILLAR® EQUIPMENT

| Telehandlers | | | | | | | |
|---|---------|--------------------------------|---------|-------|--------|-------------|--------|
| APPLICATION | CYL # | Misc-Parts, Instructions, etc. | CODE | ROD | BORE | KIT # | |
| MODEL TL1055 | | | | | | | |
| CROWD | | | | | | | |
| TBM01366- | | | | | | | |
| | 4186275 | | P-UB-14 | 3 | 4-3/4 | CTC-4186276 | 189.42 |
| LIFT | | | | | | | |
| TBM00100-00604 | | | | | | | |
| | 2988462 | | P-UB-14 | 3-1/2 | 5-1/2 | CTC-2990481 | 364.81 |
| TBM00605-00823 | | | | | | | |
| | 3250045 | | P-UB-14 | 3-1/2 | 5-1/2 | CTC-3418110 | 364.69 |
| TBM00824-01380 | | | | | | | |
| | 3313805 | | P-UB-14 | 3-1/2 | 5-1/2 | CTC-3418110 | 364.69 |
| TBM01381- | | | | | | | |
| | 3912076 | | P-UB-14 | 3-1/2 | 5-1/2 | CTC-3912080 | 245.41 |
| OUTRIGGER | | | | | | | |
| -TBM01285 | | | | | | | |
| | 2980609 | | P-UB-10 | 2-1/2 | 5 | CTC-3151126 | 65.47 |
| TBM01286- | | | | | | | |
| | 3808343 | | I-U-10 | 2-1/2 | 5 | CTC-4176026 | 95.88 |
| QUICK COUPLER | | | | | | | |
| TBM00100- | | | | | | | |
| | 2953419 | | P-U-10 | 25 mm | 50 mm | CTC-3056015 | 56.46 |
| STABILIZER | | | | | | | |
| TBM00100-00546 | | | | | | | |
| | 2988657 | | P-UB-14 | 2 | 4 | CTC-2990480 | 209.07 |
| TBM00547-00834 | | | | | | | |
| | 3250038 | | P-UB-14 | 2 | 4 | CTC-3417048 | 188.66 |
| TBM00835-01285, including 01295-01299 | | | | | | | |
| | 3313809 | | P-UB-14 | 2 | 4 | CTC-3417048 | 188.66 |
| TBM01286-, excluding 01295-01299 | | | | | | | |
| | 3808345 | | P-UB-14 | 2 | 4 | CTC-4175006 | 198.83 |
| STEERING | | | | | | | |
| TBM00100- | | | | | | | |
| | 3052050 | | I-U-10 | 50 mm | 100 mm | CTC-3044561 | 71.78 |
| SWAY | | | | | | | |
| TBM00100-00509 | | | | | | | |
| | 2988656 | | P-UB-14 | 2 | 4 | CTC-2990480 | 209.07 |
| TBM00510-00837, excluding 00817-00820 | | | | | | | |
| | 3250037 | | P-UB-14 | 2 | 4 | CTC-3417048 | 188.66 |
| TBM00838-01285, including 00817-00820, 01289-01290, 01296 | | | | | | | |
| | 3313801 | | P-UB-14 | 2 | 4 | CTC-3417048 | 188.66 |
| TBM01286-, excluding 01289-01290, 01296 | | | | | | | |
| | 3808344 | | P-UB-14 | 2 | 4 | CTC-4175006 | 198.83 |
| TILT | | | | | | | |
| TBM00100-00631 | | | | | | | |
| | 2988460 | | P-UB-14 | 2-1/2 | 5-3/4 | CTC-3353866 | 310.36 |
| TBM00632-00809 | | | | | | | |
| | 3250043 | | P-UB-14 | 2-1/2 | 5-3/4 | CTC-3418115 | 410.08 |
| TBM00810-01080, excluding 01074 | | | | | | | |
| | 3313807 | | P-UB-14 | 2-1/2 | 5-3/4 | CTC-3418115 | 410.08 |
| TBM01081-01391, including 01074, excluding 01372-01376 | | | | | | | |
| | 3422650 | | P-UB-14 | 2-1/2 | 5-3/4 | CTC-3418115 | 410.08 |
| TBM01392-, including 01372-01376 | | | | | | | |
| | 3963663 | | P-U-14 | 2-1/2 | 5-3/4 | CTC-4175758 | 231.82 |
| MODEL TL1255 | | | | | | | |
| CARRIAGE - Dual Fork Positioning | | | | | | | |
| TBN00100- | | | | | | | |
| | 4179881 | | I-U-4 | 1-1/8 | 2 | CTC-4179889 | 126.63 |

REPLACEMENT KITS FOR CATERPILLAR® EQUIPMENT

| Telehandlers | | | | | | | |
|------------------------------|--|--------------------------------|---------|-------|--------|-------------|--------|
| APPLICATION | CYL # | Misc-Parts, Instructions, etc. | CODE | ROD | BORE | KIT # | |
| MODEL TL1255 | | | | | | | |
| CARRIAGE - Side Shift | | | | | | | |
| | TBN00100-3622120 | | I-U-10 | 1-1/4 | 2-1/2 | CTC-3276314 | 24.43 |
| CARRIAGE - Swing | | | | | | | |
| | TBN00100-3755001 | | I-U-10 | 1-1/4 | 2-1/2 | CTC-3276314 | 24.43 |
| CROWD | | | | | | | |
| | TBN00100-00335 | | | | | | |
| | 2988459 | | P-UB-14 | 3 | 4-3/4 | CTC-2990477 | 302.85 |
| | TBN00336-00413 | | | | | | |
| | 3250042 | | P-UB-14 | 3 | 4-3/4 | CTC-3417059 | 257.60 |
| | TBN00414-00846 | | | | | | |
| | 3313806 | | P-UB-14 | 3 | 4-3/4 | CTC-3417059 | 257.60 |
| | TBN00847- | | | | | | |
| | 4186275 | | P-UB-14 | 3 | 4-3/4 | CTC-4186276 | 189.42 |
| OUTRIGGER | | | | | | | |
| | -TBN00775 | | | | | | |
| | 2980609 | | P-UB-10 | 2-1/2 | 5 | CTC-3151126 | 65.47 |
| | TBN00776- | | | | | | |
| | 3808343 | | I-U-10 | 2-1/2 | 5 | CTC-4176026 | 95.88 |
| QUICK COUPLER | | | | | | | |
| | TBN00100- | | | | | | |
| | 2953419 | | P-U-10 | 25 mm | 50 mm | CTC-3056015 | 56.46 |
| STABILIZER | | | | | | | |
| | TBN00100-00313 | | | | | | |
| | 2988657 | | P-UB-14 | 2 | 4 | CTC-2990480 | 209.07 |
| | TBN00314-00429 | | | | | | |
| | 3250038 | | P-UB-14 | 2 | 4 | CTC-3417048 | 188.66 |
| | TBN00430-00774, including 00780-00781, 00783-00784 | | | | | | |
| | 3313809 | | P-UB-14 | 2 | 4 | CTC-3417048 | 188.66 |
| | TBN00775-, excluding 00780-00781, 00783-00784 | | | | | | |
| | 3808345 | | P-UB-14 | 2 | 4 | CTC-4175006 | 198.83 |
| STEERING | | | | | | | |
| | TBN00100- | | | | | | |
| | 3052050 | | I-U-10 | 50 mm | 100 mm | CTC-3044561 | 71.78 |
| SWAY | | | | | | | |
| | TBN00100-00262 | | | | | | |
| | 2988656 | | P-UB-14 | 2 | 4 | CTC-2990480 | 209.07 |
| | TBN00263-00434, excluding 00416-00417 | | | | | | |
| | 3250037 | | P-UB-14 | 2 | 4 | CTC-3417048 | 188.66 |
| | TBN00435-00774, including 00416-00417, 00776 | | | | | | |
| | 3313801 | | P-UB-14 | 2 | 4 | CTC-3417048 | 188.66 |
| | TBN00775-, excluding 00776 | | | | | | |
| | 3808344 | | P-UB-14 | 2 | 4 | CTC-4175006 | 198.83 |
| Wheel Dozers | | | | | | | |
| APPLICATION | CYL # | Misc-Parts, Instructions, etc. | CODE | ROD | BORE | KIT # | |
| MODEL 814 | | | | | | | |
| BLADE TIP | | | | | | | |
| | 1U4744 | | P-UB-10 | 2 | 4 | CTC-7X2755 | 156.44 |
| DOZER | | | | | | | |
| | 7J7028 | | P-UB-10 | 2-1/2 | 4-3/4 | CTC-7X2773 | 178.45 |
| DOZER LIFT | | | | | | | |
| | 7J7028 | | P-UB-10 | 2-1/2 | 4-3/4 | CTC-7X2660 | 246.36 |
| LIFT | | | | | | | |
| | 1U2088 | | P-UB-10 | 2-1/2 | 4-3/4 | CTC-7X2660 | 246.36 |

REPLACEMENT KITS FOR CATERPILLAR® EQUIPMENT

| Wheel Dozers | | | | | | | |
|-------------------|---------------|--------------------------------|---------|-------|-------|-------------|--------|
| APPLICATION | CYL # | Misc-Parts, Instructions, etc. | CODE | ROD | BORE | KIT # | |
| MODEL 814 | | | | | | | |
| LIFT RH | | | | | | | |
| | 4J7859 | | P-UB-10 | 2 | 4 | CTC-7X2755 | 156.44 |
| PUMP | | | | | | | |
| | 14R; 90P | | | | | | |
| | 9J5068 | | | | | CTC-9J5114 | 36.87 |
| STEERING | | | | | | | |
| | 4T1574 | | P-UB-10 | 2 | 4 | CTC-1328816 | 127.22 |
| STEERING LH | | | | | | | |
| | 7J9356 | | P-UB-10 | 2 | 4 | CTC-7X2755 | 156.44 |
| STEERING RH | | | | | | | |
| | 7J9355 | | P-UB-10 | 2 | 4 | CTC-7X2755 | 156.44 |
| TILT | | | | | | | |
| | 7J7295 | | P-UB-10 | 2 | 4-1/2 | CTC-7X2768 | 121.61 |
| MODEL 814B | | | | | | | |
| BLADE TIP | | | | | | | |
| | 1U4744 | | P-UB-10 | 2 | 4 | CTC-7X2755 | 156.44 |
| DOZER | | | | | | | |
| | 1U2088 | | P-UB-10 | 2-1/2 | 4-3/4 | CTC-1328811 | 209.77 |
| DOZER LIFT | | | | | | | |
| | 1U2088 | | P-UB-10 | 2-1/2 | 4-3/4 | CTC-7X2660 | 246.36 |
| | 7J7028 | | P-UB-10 | 2-1/2 | 4-3/4 | CTC-7X2660 | 246.36 |
| STEERING | | | | | | | |
| | 4T1574 | | P-UB-10 | 2 | 4 | CTC-1328816 | 127.22 |
| | 6E5024 | | P-UB-10 | 2 | 4 | CTC-1113302 | 163.17 |
| TILT | | | | | | | |
| | 7J7295 | | P-UB-10 | 2 | 4-1/2 | CTC-7X2768 | 121.61 |
| MODEL 814F | | | | | | | |
| DOZER | | | | | | | |
| | 1U2088 | | P-UB-10 | 2-1/2 | 4-3/4 | CTC-1328811 | 209.77 |
| STEERING | | | | | | | |
| | 4T1574 | | P-UB-10 | 2 | 4 | CTC-1328816 | 127.22 |
| | 6E5024 | | P-UB-10 | 2 | 4 | CTC-1113302 | 163.17 |
| MODEL 814S | | | | | | | |
| BLADE TIP | | | | | | | |
| | 1U4744 | | P-UB-10 | 2 | 4 | CTC-7X2755 | 156.44 |
| TILT | | | | | | | |
| | 7J7295 | | P-UB-10 | 2 | 4-1/2 | CTC-7X2768 | 121.61 |
| MODEL 824 | | | | | | | |
| BLADE TIP | | | | | | | |
| | 4J5632 | | P-V-10 | 2-1/2 | 6-1/2 | CTC-7X2678 | 150.11 |
| | 4J6006 | App requires 2 kits. | P-UB-10 | 2-1/2 | 6 | CTC-7X2656 | 221.15 |
| | 4J6006 | App requires 2 kits. | P-UB-10 | 2-1/2 | 6 | CTC-7X2692 | 225.32 |
| BLADE TIP LH | | | | | | | |
| | 4J4498 | | P-UB-10 | 2-1/2 | 6 | CTC-7X2656 | 221.15 |
| LIFT | | | | | | | |
| | 3J9307 | | P-V-10 | 2-1/2 | 6-1/2 | CTC-7X2676 | 150.11 |
| | 4J6005 | | P-V-10 | 2-1/2 | 6-1/2 | CTC-7X2676 | 150.11 |
| | 4J7621 | | P-V-10 | 2-1/2 | 6-1/2 | CTC-7X2676 | 150.11 |
| | 4J9233 | | P-V-10 | 2 | 4-1/2 | CTC-7X2770 | 134.35 |
| | 6J1269 | | P-V-10 | 2-1/2 | 6-1/2 | CTC-7X2676 | 150.11 |
| | 6J1272 | | P-V-10 | 2-1/2 | 6-1/2 | CTC-7X2676 | 150.11 |
| | 6J1273 | | P-V-10 | 2-1/2 | 6-1/2 | CTC-7X2676 | 150.11 |
| | 9J7111 | | P-UB-10 | 2-1/2 | 5-1/2 | CTC-7X2653 | 222.82 |
| PUMP | | | | | | | |
| | 29G; 36H; 43E | | | | | | |
| | 3J6536 | | | | | CTC-9J5115 | 49.82 |

REPLACEMENT KITS FOR CATERPILLAR® EQUIPMENT

| Wheel Dozers | | | | | | | |
|-------------------|---------------|--------------------------------|---------|-------|-------|------------|--------|
| APPLICATION | CYL # | Misc-Parts, Instructions, etc. | CODE | ROD | BORE | KIT # | |
| MODEL 824 | | | | | | | |
| STEERING | | | | | | | |
| | 7J9984 | | P-UB-10 | 2-1/4 | 5 | CTC-7X2729 | 222.67 |
| STEERING LH | | | | | | | |
| | 9J7087 | | P-UB-10 | 2-1/4 | 5 | CTC-7X2729 | 222.67 |
| STEERING RH | | | | | | | |
| | 9J7086 | | P-UB-10 | 2-1/4 | 5 | CTC-7X2729 | 222.67 |
| TILT RH | | | | | | | |
| | 4J4497 | | P-V-10 | 2-1/2 | 6-1/2 | CTC-7X2678 | 150.11 |
| MODEL 824B | | | | | | | |
| BLADE | | | | | | | |
| | 7K9401 | | P-UB-10 | 2-1/4 | 5 | CTC-7X2729 | 222.67 |
| BLADE LH | | | | | | | |
| | 4J4498 | | P-UB-10 | 2-1/2 | 6 | CTC-7X2656 | 221.15 |
| BLADE TIP | | | | | | | |
| | 4J6006 | App requires 2 kits. | P-UB-10 | 2-1/2 | 6 | CTC-7X2656 | 221.15 |
| BLADE TIP LH | | | | | | | |
| | 4J4498 | | P-UB-10 | 2-1/2 | 6 | CTC-7X2656 | 221.15 |
| LIFT | | | | | | | |
| | 3J9307 | | P-V-10 | 2-1/2 | 6-1/2 | CTC-7X2676 | 150.11 |
| | 4J6005 | | P-V-10 | 2-1/2 | 6-1/2 | CTC-7X2676 | 150.11 |
| | 4J7621 | | P-V-10 | 2-1/2 | 6-1/2 | CTC-7X2676 | 150.11 |
| | 4J9233 | | P-V-10 | 2 | 4-1/2 | CTC-7X2770 | 134.35 |
| | 6J1269 | | P-V-10 | 2-1/2 | 6-1/2 | CTC-7X2676 | 150.11 |
| | 6J1272 | | P-V-10 | 2-1/2 | 6-1/2 | CTC-7X2676 | 150.11 |
| | 6J1273 | | P-V-10 | 2-1/2 | 6-1/2 | CTC-7X2676 | 150.11 |
| | 9J7111 | | P-UB-10 | 2-1/2 | 5-1/2 | CTC-7X2653 | 222.82 |
| PUMP | | | | | | | |
| | 29G; 36H; 43E | | | | | | |
| | 3J6536 | | | | | CTC-9J5115 | 49.82 |
| STEERING | | | | | | | |
| | 6J7590 | | P-UB-10 | 2-1/4 | 5 | CTC-7X2729 | 222.67 |
| | 7J9718 | | P-UB-10 | 2-1/4 | 5 | CTC-7X2729 | 222.67 |
| | 7J9984 | | P-UB-10 | 2-1/4 | 5 | CTC-7X2729 | 222.67 |
| STEERING LH | | | | | | | |
| | 9J7087 | | P-UB-10 | 2-1/4 | 5 | CTC-7X2729 | 222.67 |
| STEERING RH | | | | | | | |
| | 9J7086 | | P-UB-10 | 2-1/4 | 5 | CTC-7X2729 | 222.67 |
| TILT RH | | | | | | | |
| | 4J4497 | | P-V-10 | 2-1/2 | 6-1/2 | CTC-7X2678 | 150.11 |
| MODEL 824C | | | | | | | |
| BLADE LH | | | | | | | |
| | 4J4498 | | P-UB-10 | 2-1/2 | 6 | CTC-7X2656 | 221.15 |
| BLADE RH | | | | | | | |
| | 4J4497 | | P-V-10 | 2-1/2 | 6-1/2 | CTC-7X2678 | 150.11 |
| BLADE TIP | | | | | | | |
| | 4J4497 | | P-V-10 | 2-1/2 | 6-1/2 | CTC-7X2678 | 150.11 |
| | 4J5632 | | P-V-10 | 2-1/2 | 6-1/2 | CTC-7X2678 | 150.11 |
| | 4J6006 | App requires 2 kits. | P-UB-10 | 2-1/2 | 6 | CTC-7X2656 | 221.15 |
| BLADE TIP LH | | | | | | | |
| | 4J4498 | | P-UB-10 | 2-1/2 | 6 | CTC-7X2656 | 221.15 |
| LIFT | | | | | | | |
| | 4J6005 | | P-V-10 | 2-1/2 | 6-1/2 | CTC-7X2676 | 150.11 |
| | 6J1269 | | P-V-10 | 2-1/2 | 6-1/2 | CTC-7X2676 | 150.11 |
| | 6J1272 | | P-V-10 | 2-1/2 | 6-1/2 | CTC-7X2676 | 150.11 |
| | 6J1273 | | P-V-10 | 2-1/2 | 6-1/2 | CTC-7X2676 | 150.11 |
| | 9J7111 | | P-UB-10 | 2-1/2 | 5-1/2 | CTC-7X2653 | 222.82 |

REPLACEMENT KITS FOR CATERPILLAR® EQUIPMENT

| Wheel Dozers | | | | | | | |
|-------------------------------|---------------|--------------------------------|---------|-------|-------|------------|--------|
| APPLICATION | CYL # | Misc-Parts, Instructions, etc. | CODE | ROD | BORE | KIT # | |
| MODEL 824C | | | | | | | |
| LIFT LH | 4J4498 | | P-UB-10 | 2-1/2 | 6 | CTC-7X2656 | 221.15 |
| STEERING LH | 9J7087 | | P-UB-10 | 2-1/4 | 5 | CTC-9X6392 | 219.47 |
| STEERING RH | 9J7086 | | P-UB-10 | 2-1/4 | 5 | CTC-9X6392 | 219.47 |
| MODEL 824S, 834S, 834U | | | | | | | |
| LIFT LH | 4J4498 | | P-UB-10 | 2-1/2 | 6 | CTC-7X2656 | 221.15 |
| TILT RH | 4J4497 | | P-V-10 | 2-1/2 | 6-1/2 | CTC-7X2678 | 150.11 |
| MODEL 830M | | | | | | | |
| DOZER LIFT | 3R4109 | | P-UB-10 | 2-1/2 | 4-3/4 | CTC-7X2660 | 246.36 |
| LIFT | 3J6439 | | P-UB-10 | 2-1/2 | 6 | CTC-7X2679 | 189.51 |
| RIPPER LIFT | 3R6724 | | P-UB-10 | 2-1/2 | 6 | CTC-7X2679 | 189.51 |
| STEERING | 5R0062 | | P-UB-10 | 2-1/4 | 5 | CTC-7X2729 | 222.67 |
| | 7J9984 | | P-UB-10 | 2-1/4 | 5 | CTC-7X2729 | 222.67 |
| MODEL 834 | | | | | | | |
| BLADE LH | 4J4498 | | P-UB-10 | 2-1/2 | 6 | CTC-7X2656 | 221.15 |
| BLADE TIP | 4J5632 | | P-V-10 | 2-1/2 | 6-1/2 | CTC-7X2678 | 150.11 |
| | 4J6006 | App requires 2 kits. | P-UB-10 | 2-1/2 | 6 | CTC-7X2656 | 221.15 |
| LIFT | 4J6005 | | P-V-10 | 2-1/2 | 6-1/2 | CTC-7X2676 | 150.11 |
| | 4J7621 | | P-V-10 | 2-1/2 | 6-1/2 | CTC-7X2676 | 150.11 |
| | 4J9233 | | P-V-10 | 2 | 4-1/2 | CTC-7X2770 | 134.35 |
| | 6J1269 | | P-V-10 | 2-1/2 | 6-1/2 | CTC-7X2676 | 150.11 |
| | 6J1272 | | P-V-10 | 2-1/2 | 6-1/2 | CTC-7X2676 | 150.11 |
| PUMP | 29G; 36H; 43E | | | | | | |
| | 3J6536 | | | | | CTC-9J5115 | 49.82 |
| STEERING | 7J9984 | | P-UB-10 | 2-1/4 | 5 | CTC-7X2729 | 222.67 |
| | 9J8165 | | P-UB-10 | 2-1/4 | 5 | CTC-9X6392 | 219.47 |
| TILT RH | 4J4497 | | P-V-10 | 2-1/2 | 6-1/2 | CTC-7X2678 | 150.11 |
| MODEL 834B | | | | | | | |
| BLADE LH | 4J4498 | | P-UB-10 | 2-1/2 | 6 | CTC-7X2656 | 221.15 |
| BLADE TIP | 4J5632 | | P-V-10 | 2-1/2 | 6-1/2 | CTC-7X2678 | 150.11 |
| LIFT | 4J7621 | | P-V-10 | 2-1/2 | 6-1/2 | CTC-7X2676 | 150.11 |
| | 6J1272 | | P-V-10 | 2-1/2 | 6-1/2 | CTC-7X2676 | 150.11 |
| LIFT LH | 4J4498 | | P-UB-10 | 2-1/2 | 6 | CTC-7X2656 | 221.15 |
| STEERING | 9J8165 | | P-UB-10 | 2-1/4 | 5 | CTC-9X6392 | 219.47 |
| TILT RH | 4J4497 | | P-V-10 | 2-1/2 | 6-1/2 | CTC-7X2678 | 150.11 |

REPLACEMENT KITS FOR CATERPILLAR® EQUIPMENT

| Wheel Dozers | | | | | | | |
|-------------------|--------|--------------------------------|---------|-------|-------|------------|--------|
| APPLICATION | CYL # | Misc-Parts, Instructions, etc. | CODE | ROD | BORE | KIT # | |
| MODEL 834B | | | | | | | |
| TIP | | | | | | | |
| | 4J6006 | App requires 2 kits. | P-UB-10 | 2-1/2 | 6 | CTC-7X2656 | 221.15 |
| MODEL 834C | | | | | | | |
| BLADE TIP | | | | | | | |
| | 4J5632 | | P-V-10 | 2-1/2 | 6-1/2 | CTC-7X2678 | 150.11 |
| | 4J6006 | App requires 2 kits. | P-UB-10 | 2-1/2 | 6 | CTC-7X2656 | 221.15 |

REPLACEMENT KITS FOR CATERPILLAR® EQUIPMENT

IMPORTANT – PLEASE READ

If a kit part number is unknown, the machine model number, serial number, and cylinder application will help identify the repair kit you need.

Example: Model Number **D5**
 Serial Number **63J806**
 Cylinder Application **Dozer Lift**

If none of the above information is known, size and description of the parts needed will almost always be sufficient.

NOTE: CATERPILLAR kit numbers are used as a reference only. We do not imply that these kits are original REPLACEMENT KITS.

| Kit Number | Code (Pg. xiv) | Rod X Bore Size | List Price | Kit Number | Code (Pg. xiv) | Rod X Bore Size | List Price |
|--------------|--------------------|-----------------------------|------------|--------------|------------------------------|-----------------|------------|
| CTC-1362462K | TRACK ADJUSTER KIT | | \$44.98 | CTC-0718440 | P-U-3 | 12-1/2 X 15-1/8 | \$2,380.66 |
| CTC-1686743K | TRACK ADJUSTER KIT | | 130.02 | CTC-0719441 | I-U-3 | 12-1/2 X 14-1/4 | 1,002.96 |
| CTC-2979143K | TRACK ADJUSTER KIT | | 51.81 | CTC-0720441 | P-U-3 | 12-1/2 X 14-1/4 | 824.14 |
| CTC-2979154K | TRACK ADJUSTER KIT | | 130.02 | CTC-0728446 | P-UB-1 | 9 X 10-3/4 | 1,917.56 |
| CTC-4I7338K | TRACK ADJUSTER KIT | | 39.48 | CTC-0778441 | P-U-3 | 12-1/2 X 14-1/4 | 2,256.10 |
| CTC-7Y0858K | TRACK ADJUSTER KIT | | 71.42 | CTC-0860174 | P-UB-14 | 75 x 100 mm | 370.72 |
| CTC-7Y0859K | TRACK ADJUSTER KIT | | 71.42 | CTC-0875387 | P-UB-10 | 100 X 140 mm | 468.63 |
| CTC-FIG0401 | TRACK ADJUSTER KIT | | 142.19 | CTC-0875394 | P-UB-10 | 85 X 120 mm | 354.94 |
| CTC-FIG0402 | TRACK ADJUSTER KIT | | 167.55 | CTC-0875407 | P-UB-10 | 130 X 180 mm | 546.07 |
| CTC-FIG0405 | TRACK ADJUSTER KIT | | 149.06 | CTC-0876654 | P-UB-10 | 110 X 160 mm | 437.78 |
| CTC-FIG1401 | TRACK ADJUSTER KIT | | 156.91 | CTC-0901523 | MULTI STAGE 2.50, 3.25, 4.00 | | 174.02 |
| CTC-FIG1402 | TRACK ADJUSTER KIT | | 174.96 | CTC-0904400 | N-U-1 | 1-1/2 | 59.99 |
| CTC-FIG1405 | TRACK ADJUSTER KIT | | 91.62 | CTC-0911700 | I-U-1 | 75 mm | 59.91 |
| CTC-FIG3400 | TRACK ADJUSTER KIT | | 82.04 | CTC-0912786 | I-V-1 | 5,9 | 867.62 |
| CTC-FIG3401 | TRACK ADJUSTER KIT | | 76.59 | CTC-0919842 | P-U-14 | 45 X 90 mm | 109.55 |
| CTC-FIG3404 | TRACK ADJUSTER KIT | | 63.46 | CTC-0933045 | P-UB-15 | 50 X 90mm | 353.14 |
| CTC-FIG4400 | TRACK ADJUSTER KIT | | 65.89 | CTC-0938385 | P-UB-15 | 70 X 110 mm | 313.76 |
| CTC-FIG4405 | TRACK ADJUSTER KIT | | 30.69 | CTC-0938388 | P-UB-15 | 80 X 120 mm | 450.97 |
| CTC-SK100002 | TRACK ADJUSTER KIT | | 36.55 | CTC-0938390 | P-UB-15 | 65 X 110 mm | 464.17 |
| CTC-SK100013 | TRACK ADJUSTER KIT | | 74.87 | CTC-0939941 | P-UB-14 | 90 X 140 mm | 419.88 |
| CTC-SK100014 | TRACK ADJUSTER KIT | | 116.94 | CTC-0940691 | P-UB-10 | 85 X 125 mm | 263.76 |
| CTC-SK100015 | TRACK ADJUSTER KIT | | 137.95 | CTC-0941910 | P-UB-10 | 100 X 140 mm | 299.19 |
| CTC-SK100016 | TRACK ADJUSTER KIT | | 253.39 | CTC-0942697 | P-UB-14 | 100 X 150 mm | 351.17 |
| CTC-SK100084 | TRACK ADJUSTER KIT | | 190.79 | CTC-0942698 | P-UB-14 | 110 X 160 mm | 534.60 |
| CTC-SK100109 | TRACK ADJUSTER KIT | | 130.02 | CTC-0964395 | P-UB-10 | 85 X 120 mm | 497.67 |
| CTC-SK100110 | TRACK ADJUSTER KIT | | 61.23 | CTC-0964396 | P-UB-10 | 95 X 130 mm | 588.59 |
| CTC-SK100111 | TRACK ADJUSTER KIT | | 42.41 | CTC-0966457 | P-UB-10 | 75 X 115 mm | 494.72 |
| CTC-SK100115 | TRACK ADJUSTER KIT | | 76.66 | CTC-0967625 | P-UB-10 | 65 X 100 mm | 462.44 |
| CTC-SK100116 | TRACK ADJUSTER KIT | | 186.38 | CTC-0967786 | P-UB-10 | 75 X 110 mm | 484.37 |
| CTC-SK100117 | TRACK ADJUSTER KIT | | 118.97 | CTC-0967799 | P-UB-10 | 80 X 120 mm | 466.83 |
| CTC-SK100161 | TRACK ADJUSTER KIT | | 100.73 | CTC-0974392 | P-UB-10 | 3 X 7-1/4 | 119.93 |
| CTC-SK100162 | TRACK ADJUSTER KIT | | 77.16 | CTC-0976094 | P-UB-10 | 3 X 6-1/4 | 173.19 |
| CTC-SK100205 | TRACK ADJUSTER KIT | | 9.72 | CTC-0995310 | P-UB-14 | 75 X 110 mm | 372.90 |
| CTC-SK100206 | TRACK ADJUSTER KIT | | 10.75 | CTC-0995311 | P-UB-14 | 80 X 120 mm | 397.96 |
| CTC-SK100214 | P-UB-10 | 1-3/4 X 3 | 95.75 | CTC-0995312 | P-UB-14 | 65 X 100 mm | 348.03 |
| CTC-0399196 | O-RINGS | | 4.34 | CTC-0995401 | P-UB-14 | 70 X 100 mm | 318.46 |
| CTC-0514131 | P-V-10 | 2-1/2 X 6 | 133.04 | CTC-0996978 | P-UB-14 | 60 X 90 mm | 172.30 |
| CTC-0543309 | I-UB-10 | 2-1/4 X 3-1/2 | 68.35 | CTC-0997004 | P-UB-14 | 55 X 80 mm | 170.71 |
| CTC-0555211 | I-U-10 | 3-1/2,5-1/2,6-1/2 X 5,6,7 | 424.99 | CTC-1002931 | P-UB-10 | 3-1/4 X 5-1/2 | 388.22 |
| CTC-0711436 | I-U-3 | 11 X 13-1/8 | 1,647.06 | CTC-1002932 | P-UB-10 | 3-1/4 X 5-1/2 | 221.56 |
| CTC-0712436 | P-U-3 | 11 X 13-1/8 | 1,760.72 | CTC-1002934 | P-UB-10 | 4-1/4 X 6-1/2 | 551.24 |
| CTC-0715438 | I-SP-3,10 | 7-1/4,10-1/2 X 9-1/4,11-1/2 | 1,009.71 | CTC-1002935 | P-UB-10 | 4-1/4 X 6-1/2 | 561.12 |
| CTC-0716439 | I-SP-3,10 | 7-1/4,11 | 1,032.58 | CTC-1002939 | P-UB-10 | 3-3/4 X 6 | 508.74 |
| CTC-0717440 | I-U-3 | 12-1/2 X 15-1/8 | 2,380.98 | CTC-1007844K | P-UB-10 | 2 X 4 | 59.01 |

REPLACEMENT KITS FOR CATERPILLAR® EQUIPMENT

NOTE: CATERPILLAR kit numbers are used as a reference only. We do not imply that these kits are original REPLACEMENT KITS.

| Kit Number | Code (Pg. xiv) | Rod X Bore Size | List Price | Kit Number | Code (Pg. xiv) | Rod X Bore Size | List Price |
|--------------|----------------|----------------------------|------------|--------------|----------------|-----------------|------------|
| CTC-1014201 | P-UB-10 | 2-1/2 X 4-3/4 | \$183.78 | CTC-1184175 | P-UB-10 | 90 X 130 | \$404.99 |
| CTC-1014867 | P-V-10 | 3 X 6-1/4 | 211.48 | CTC-1186023 | P-UB-10 | 85 X 120 | 365.30 |
| CTC-1014874 | P-UB-10 | 2-3/4 X 6-1/2 | 161.52 | CTC-1194418 | P-UB-10 | 3-1/2 X 10 | 440.61 |
| CTC-1016061 | I-U-10 | 30 X 63 mm | 172.79 | CTC-1195435 | P-UB-10 | 75 X 110 | 405.24 |
| CTC-1017554 | P-UB-10 | 5-1/2 X 10-1/2 | 489.33 | CTC-1195446 | P-UB-10 | 80 X 120 | 369.69 |
| CTC-1038333 | P-UB-14 | 60 X 90 mm | 339.92 | CTC-1195457 | P-UB-10 | 65 X 100 | 288.58 |
| CTC-1040763 | P-U-1 | 70 mm Rod Kit | 68.96 | CTC-1211405 | P-UB-10 | 70 X 100 mm | 374.82 |
| CTC-1041023 | P-U-1 | 75 mm Rod Kit | 65.17 | CTC-1211526 | P-UB-10 | 90 X 160 mm | 337.79 |
| CTC-1045008 | I-U-10 | 4 X 4-1/2 | 381.82 | CTC-1211577 | O-RING KIT | | 147.83 |
| CTC-1052585 | P-UB-10 | 90 X 130 | 398.28 | CTC-1211597 | P-UB-10 | 5 X 6 | 332.34 |
| CTC-1052601 | P-UB-10 | 85 X 130 | 594.43 | CTC-1211605 | P-UB-10 | 5-3/4 X 7 | 449.49 |
| CTC-1057253 | P-UB-14 | 55 X 80 | 253.34 | CTC-1231768 | P-UB-10 | 75 X 120 mm | 396.72 |
| CTC-1057255 | P-UB-14 | 75 X 110 | 373.24 | CTC-1231771 | P-UB-10 | 70 X 100 mm | 354.93 |
| CTC-1057359 | P-UB-10 | 80 X 100 | 336.25 | CTC-1234121K | P-UB-10 | 2 X 4 | 105.00 |
| CTC-1057379 | P-UB-10 | 85 X 120 | 355.49 | CTC-1239920 | P-UB-10 | 70 X 130 mm | 331.20 |
| CTC-1057397 | P-UB-10 | 70 X 100 | 278.11 | CTC-1247005 | P-UB-10 | 85 X 160 mm | 276.82 |
| CTC-1057480 | P-UB-14 | 55 X 100 | 289.76 | CTC-1247006 | P-UB-10 | 70 X 130 mm | 298.40 |
| CTC-1082148 | O-RINGS | | 13.64 | CTC-1247007 | P-UB-10 | 80 X 110 mm | 357.57 |
| CTC-1094745 | I-U-1 | 63 mm | 151.41 | CTC-1247008 | P-UB-10 | 85 X 120 mm | 215.65 |
| CTC-1113203 | O-RING KIT | | 14.37 | CTC-1247009 | P-UB-10 | 80 X 110 mm | 304.71 |
| CTC-1113300 | P-UB-10 | 2-1/2 X 4-1/2 | 187.32 | CTC-1247010 | P-UB-10 | 75 X 140 mm | 337.50 |
| CTC-1113301 | P-UB-10 | 1-7/8 X 3 | 179.68 | CTC-1257895K | P-UB-10 | 2-1/4 X 3-3/4 | 228.34 |
| CTC-1113302 | P-UB-10 | 2 X 4 | 163.17 | CTC-1259700 | P-U-10 | 70 X 110 mm | 240.08 |
| CTC-1113725 | P-UB-10 | 3-1/4 X 5-1/2 | 209.93 | CTC-1261887 | P-UB-10 | 90 X 130 | 529.18 |
| CTC-1118211K | P-UB-10 | 2-5/8 X 5-1/4 | 146.58 | CTC-1261937 | P-UB-10 | 85 X 120 mm | 186.02 |
| CTC-1125343 | I-SP-3,10 | 8-3/4, 12-1/2 X 11, 13-3/4 | 1,183.13 | CTC-1261947 | P-UB-10 | 85 X 120 | 474.74 |
| CTC-1126550 | P-UB-10 | 3 X 6-1/2 | 243.09 | CTC-1261979 | P-UB-10 | 130 X 190 mm | 403.68 |
| CTC-1126552 | P-UB-10 | 3 X 6-1/2 | 317.21 | CTC-1270630 | P-UB-10 | 100 X 140 mm | 443.61 |
| CTC-1131073 | I,P-U-3 | 12-1/2 X 15-1/8 | 2,677.25 | CTC-1270631 | P-UB-10 | 100 X 140 mm | 406.26 |
| CTC-1132693 | I-U-3 | 1-1/4 X 2-1/2 | 22.92 | CTC-1270795 | P-UB-10 | 2-1/2 X 5 | 162.55 |
| CTC-1137463 | I,P-U-3 | 9 X 10-3/4 | 2,350.74 | CTC-1279809 | P-UB-10 | 3 X 6-1/2 | 301.03 |
| CTC-1137472 | I,P-U-3 | 13-1/2 X 16-1/8 | 2,645.47 | CTC-1281187 | P-UB-10 | 3-1/4 X 7 | 364.94 |
| CTC-1137475 | P-UB-3 | 7 X 8 | 627.24 | CTC-1281673 | P-UB-10 | 3 x 5-1/2 | 313.48 |
| CTC-1137476 | I,P-U-3 | 11 X 13-1/8 | 2,200.97 | CTC-1289277 | P-UB-10 | 105 X 150 mm | 504.68 |
| CTC-1137478 | P-UB-3 | 7 X 8 | 899.12 | CTC-1289278 | P-UB-10 | 110 X 170 | 544.90 |
| CTC-1137480 | I,P-U-3 | 12-1/2 X 14-1/4 | 918.76 | CTC-1289280 | P-UB-10 | 110 X 160 mm | 503.33 |
| CTC-1137482 | I,P-U-13 | 9 X 10-1/2 | 489.69 | CTC-1296156 | P-UB-10 | 100 X 170 mm | 264.56 |
| CTC-1143616 | O-RING KIT | | 8.41 | CTC-1304012 | P-UB-10 | 2-1/2 X 5 | 247.74 |
| CTC-1148131K | P-UB-10 | 3 X 4-3/4 | 136.11 | CTC-1305923 | P-UB-10 | 2-1/8 X 4 | 187.39 |
| CTC-1148290 | P-UB-10 | 80 X 120 | 278.33 | CTC-1309466 | P-UB-10 | 3 X 6 | 303.48 |
| CTC-1148526 | P-UB-10 | 75 X 110 | 328.90 | CTC-1309483 | P-UB-10 | 3-1/2 x 7-1/4 | 388.58 |
| CTC-1153523K | P-UB-10 | 3 X 6-1/2 | 163.02 | CTC-1309702 | P-UB-10 | 6 X 7-1/2 | 487.49 |
| CTC-1156963K | P-UB-10 | 2-3/4 X 4-1/2 | 165.03 | CTC-1309712 | P-UB-10 | 6 X 7-1/2 | 529.02 |
| CTC-1163529 | P-UB-10 | 150 X 220 mm | 800.19 | CTC-1309758 | P-UB-10 | 7 X 10 | 556.89 |
| CTC-1163612 | P-UB-10 | 105 X 150 | 413.90 | CTC-1309763 | P-UB-10 | 4-1/4 X 7-3/4 | 523.40 |
| CTC-1163649 | P-UB-10 | 110 X 170 | 390.69 | CTC-1309771 | P-UB-1 | 4-1/4 | 366.44 |
| CTC-1180672 | I-U-10 | 6 X 8-1/4 | 696.50 | CTC-1315083 | P-UB-10 | 3-1/2 X 6-1/4 | 184.60 |
| CTC-1183135 | I-U-10 | 60 X 100 mm | 128.68 | CTC-1315088 | P-UB-10 | 2-1/4 X 4-1/4 | 203.23 |
| CTC-1183946 | P-UB-10 | 110 X 160 | 494.66 | CTC-1315106 | P-UB-10 | 2-1/2 X 5 | 199.56 |
| CTC-1184024 | P-UB-10 | 100 X 140 | 443.61 | CTC-1315118 | P-UB-10 | 2-1/2 X 5 | 233.60 |
| CTC-1184131 | P-UB-10 | 85 X 120 | 342.72 | CTC-1315164 | P-UB-10 | 2-1/2 X 6 | 235.67 |

CATERPILLAR®

REPLACEMENT KITS FOR CATERPILLAR® EQUIPMENT

NOTE: CATERPILLAR kit numbers are used as a reference only. We do not imply that these kits are original REPLACEMENT KITS.

| Kit Number | Code (Pg. xiv) | Rod X Bore Size | List Price |
|-------------|----------------|-----------------|------------|
| CTC-1315420 | I-U-10 | 2-3/4 X 4 | \$206.19 |
| CTC-1315421 | I-UB-10 | 2 X 4 | 198.83 |
| CTC-1315423 | P-UB-10 | 3 X 4 | 261.92 |
| CTC-1315424 | P-UB-10 | 3-1/2 X 4-1/2 | 292.33 |
| CTC-1316102 | P-UB-10 | 3-1/2 X 8-1/4 | 359.91 |
| CTC-1316108 | P-UB-10 | 1-3/4 X 4 | 149.01 |
| CTC-1316109 | P-UB-10 | 3 X 4-3/4 | 154.40 |
| CTC-1316117 | P-UB-10 | 3-1/2 X 6-1/4 | 336.01 |
| CTC-1316122 | P-UB-5 | 3-1/2 X 4-1/2 | 329.45 |
| CTC-1318700 | P-UB-10 | 2-1/2 X 3-3/4 | 206.98 |
| CTC-1318733 | P-UB-10 | 3 X 6-1/2 | 268.15 |
| CTC-1318740 | P-UB-10 | 3 X 6-1/2 | 235.27 |
| CTC-1318748 | P-UB-10 | 2-1/2 X 4 | 211.19 |
| CTC-1318778 | P-UB-10 | 2-1/4 x 4-3/4 | 192.17 |
| CTC-1321417 | P-UB-10 | 2-1/4 X 3-3/4 | 187.88 |
| CTC-1324905 | P-UB-10 | 3-1/2 X 8-1/4 | 287.98 |
| CTC-1324919 | P-UB-10 | 3-1/2 X 10 | 434.77 |
| CTC-1324922 | P-UB-10 | 4 X 9-1/4 | 437.86 |
| CTC-1324932 | P-UB-10 | 4 x 10-1/2 | 495.68 |
| CTC-1324937 | P-UB-10 | 3 X 6 | 183.64 |
| CTC-1324987 | P-UB-10 | 3-1/4 X 7-1/4 | 312.23 |
| CTC-1324993 | P-UB-10 | 3-1/4 X 7-3/4 | 350.11 |
| CTC-1324997 | P-UB-10 | 3-3/4 X 7-3/4 | 330.67 |
| CTC-1326121 | P-UB-10 | 2-3/4 x 5-1/4 | 276.60 |
| CTC-1326127 | P-UB-10 | 3 X 7-1/4 | 270.39 |
| CTC-1326130 | P-UB-10 | 3-1/2 X 7-1/4 | 330.01 |
| CTC-1326148 | P-UB-10 | 2-3/4 X 4-1/4 | 222.88 |
| CTC-1326170 | P-UB-10 | 2-3/4 X 4-1/4 | 233.60 |
| CTC-1326180 | P-UB-10 | 3 X 7-1/4 | 291.08 |
| CTC-1326184 | P-UB-10 | 3 X 7-1/4 | 293.98 |
| CTC-1326770 | P-UB-10 | 2-1/4 X 4-1/2 | 198.07 |
| CTC-1326783 | P-UB-10 | 4 X 7 | 327.11 |
| CTC-1326806 | P-UB-10 | 4 X 7 | 485.83 |
| CTC-1327058 | P-UB-10 | 1-1/2 X 3-1/2 | 142.49 |
| CTC-1327114 | P-UB-10 | 2-1/2 X 4-1/4 | 214.22 |
| CTC-1327123 | P-UB-10 | 2-1/2 X 5-1/2 | 243.62 |
| CTC-1327129 | P-UB-10 | 2-3/4 X 5-1/2 | 246.76 |
| CTC-1327131 | P-UB-10 | 2-3/4 X 5-1/2 | 264.32 |
| CTC-1328088 | P-UB-10 | 2-3/4 X 6-1/2 | 281.85 |
| CTC-1328111 | P-UB-10 | 2-3/4 X 5-1/2 | 248.36 |
| CTC-1328284 | P-UB-10 | 2-3/4 X 7 | 182.56 |
| CTC-1328491 | P-UB-10 | 3 X 6-1/4 | 309.58 |
| CTC-1328518 | P-UB-10 | 3-1/4 X 7 | 298.10 |
| CTC-1328576 | P-UB-10 | 3-1/4 X 9-1/4 | 439.50 |
| CTC-1328608 | P-UB-10 | 3-1/4 X 9-1/4 | 330.82 |
| CTC-1328620 | P-UB-10 | 3-1/4 X 7-1/4 | 303.58 |
| CTC-1328633 | P-UB-10 | 1-1/2 X 3-1/4 | 150.03 |
| CTC-1328770 | P-UB-10 | 1-3/4 X 3-1/4 | 155.14 |
| CTC-1328783 | P-V-10 | 2 X 4-1/2 | 102.41 |
| CTC-1328811 | P-UB-10 | 2-1/2 X 4-3/4 | 209.77 |
| CTC-1328816 | P-UB-10 | 2 X 4 | 127.22 |

| Kit Number | Code (Pg. xiv) | Rod X Bore Size | List Price |
|--------------|----------------|-----------------|------------|
| CTC-1328849 | P-UB-10 | 1-3/4 X 3 | \$154.97 |
| CTC-1329361 | P-UB-10 | 1-3/4 X 3-3/4 | 59.40 |
| CTC-1332274 | P-UB-10 | 4 X 10 | 432.81 |
| CTC-1332962K | P-UB-10 | 3-1/4 X 9-1/4 | 392.69 |
| CTC-1333614 | P-UB-10 | 4 X 7 | 415.86 |
| CTC-1334759 | P-UB-10 | 3-1/4 X 7 | 226.77 |
| CTC-1334802 | P-UB-10 | 3-1/4 X 7 | 325.63 |
| CTC-1336646 | P-UB-10 | 80 X 110 | 339.87 |
| CTC-1336691 | P-UB-10 | 70 X 100 | 295.06 |
| CTC-1336823 | P-UB-10 | 100 X 140 mm | 440.47 |
| CTC-1344485K | P-UB-10 | 55 X 100 mm | 161.83 |
| CTC-1347123 | P-UB-10 | 85 X 125 mm | 460.39 |
| CTC-1347127 | P-UB-10 | 90 X 130 mm | 557.93 |
| CTC-1347128 | P-UB-10 | 100 X 140 mm | 426.98 |
| CTC-1349838K | P-UB-10 | 35 X 70 mm | 82.44 |
| CTC-1350532K | P-UB-10 | 50 X 85 mm | 294.92 |
| CTC-1352167 | P-UB-10 | 2-3/4 x 6 | 240.21 |
| CTC-1353223 | P-UB-10 | 2-1/2 X 4 | 220.01 |
| CTC-1353253 | P-UB-10 | 2-1/2 X 4 | 204.97 |
| CTC-1353802 | P-UB-10 | 3 x 4-1/2 | 239.16 |
| CTC-1353829 | P-UB-10 | 3 X 4-1/2 | 278.26 |
| CTC-1354382 | P-UB-10 | 5-3/4 X 11-1/2 | 619.02 |
| CTC-1354392 | P-UB-10 | 2-1/4 x 4-1/2 | 192.54 |
| CTC-1354402 | P-UB-10 | 3-1/4 X 8-1/4 | 340.23 |
| CTC-1354446 | P-V-10 | 3-1/4 X 7-1/4 | 283.23 |
| CTC-1354539 | P-UB-14 | 3-1/4 X 5-1/2 | 168.83 |
| CTC-1358143 | P-UB-10 | 3 X 5-1/2 | 258.09 |
| CTC-1358153 | P-UB-10 | 3 X 5-1/2 | 258.99 |
| CTC-1358166 | P-UB-10 | 2-1/4 X 3-1/2 | 222.91 |
| CTC-1358695 | P-UB-10 | 2-1/2 X 4-3/4 | 130.59 |
| CTC-1358736 | P-UB-10 | 2-3/4 X 5-1/2 | 275.88 |
| CTC-1361131 | P-UB-10 | 2-1/2 x 4-3/4 | 196.39 |
| CTC-1361171 | P-UB-10 | 2-1/4 X 4 | 139.03 |
| CTC-1361599 | P-UB-10 | 1-1/2 X 2-3/4 | 139.86 |
| CTC-1361897 | P-UB-10 | 2-1/4 X 3-3/4 | 184.83 |
| CTC-1361908 | P-UB-10 | 2-5/8 X 5-1/4 | 242.54 |
| CTC-1361967 | P-UB-10 | 2-1/2 X 5 | 251.91 |
| CTC-1361990 | I-UB-10 | 2-3/4 X 3-3/4 | 225.67 |
| CTC-1362025 | P-UB-10 | 3 X 4-3/4 | 286.81 |
| CTC-1362049 | P-UB-10 | 110 X 170 mm | 352.87 |
| CTC-1362721 | P-UB-10 | 3-1/2 X 7-1/2 | 261.94 |
| CTC-1363084 | P-UB-10 | 3 X 6 | 193.55 |
| CTC-1363121 | P-UB-10 | 2-1/2 X 6 | 225.64 |
| CTC-1363337 | P-UB-10 | 2-3/4 X 6 | 106.93 |
| CTC-1363741 | P-UB-3 | 3 X 6-1/2 | 215.98 |
| CTC-1365158 | P-UB-10 | 3-1/2 X 6-1/4 | 283.70 |
| CTC-1368341 | P-UB-10 | 2-1/2 X 6-1/2 | 212.14 |
| CTC-1368797 | P-UB-10 | 3-1/4 X 6-1/2 | 291.49 |
| CTC-1368823 | P-UB-10 | 3-3/4 X 6-1/2 | 234.52 |
| CTC-1368865 | P-UB-10 | 4 X 6-1/2 | 476.75 |
| CTC-1370264 | P-UB-10 | 2-1/2 X 6-1/2 | 230.77 |

REPLACEMENT KITS FOR CATERPILLAR® EQUIPMENT

NOTE: CATERPILLAR kit numbers are used as a reference only. We do not imply that these kits are original REPLACEMENT KITS.

| Kit Number | Code (Pg. xiv) | Rod X Bore Size | List Price | Kit Number | Code (Pg. xiv) | Rod X Bore Size | List Price |
|--------------|----------------|-----------------|------------|--------------|----------------|----------------------------|------------|
| CTC-1370315 | P-UB-10 | 2-3/4 X 7-1/4 | \$319.26 | CTC-1475781 | P-UB-10 | 85 X 125 mm | \$394.50 |
| CTC-1371384 | P-UB-10 | 3-1/4 X 9-1/4 | 316.07 | CTC-1475839 | P-UB-10 | 85 X 120 mm | 386.81 |
| CTC-1371394 | P-UB-10 | 3-1/4 X 9-1/4 | 275.51 | CTC-1475875 | P-UB-10 | 95 X 130 mm | 361.84 |
| CTC-1371762 | P-UB-10 | 4 X 9-1/4 | 381.78 | CTC-1505833 | P-UB-10 | 95 X 130 mm | 655.94 |
| CTC-1371774 | P-UB-10 | 4-3/4 X 7-1/4 | 459.85 | CTC-1505850 | P-UB-10 | 80 X 110 mm | 160.48 |
| CTC-1371946 | P-UB-10 | 4-3/4 X 7 | 412.20 | CTC-1508828 | I-U-1 | 80 mm | 321.43 |
| CTC-1371955 | P-UB-10 | 4-3/4 X 6-1/2 | 407.49 | CTC-1509211K | P-U-10 | 45 X 75 mm | 72.97 |
| CTC-1371974 | P-UB-10 | 3-1/2 X 8-1/4 | 332.11 | CTC-1511266K | P-U-10 | 45 X 75 mm | 78.17 |
| CTC-1372489 | P-UB-10 | 2-3/4 X 7-1/4 | 251.45 | CTC-1512460K | P-U-10 | 40 X 70 mm | 61.45 |
| CTC-1372530 | P-UB-10 | 1-1/2 X 3 | 85.19 | CTC-1513187K | P-U-10 | 35 X 65 mm | 71.28 |
| CTC-1372533 | P-UB-10 | 1-1/2 X 3 | 126.11 | CTC-1526482K | P-UB-10 | 1-3/4 X 3-1/2 | 98.74 |
| CTC-1373496 | P-U-10 | 2-1/2 X 5 | 164.94 | CTC-1526485K | P-UB-10 | 2 X 4 | 94.69 |
| CTC-1373529 | P-UB-10 | 2-1/4 X 4-1/2 | 85.84 | CTC-1529148K | P-UB-10 | 2-3/8 X 4-3/4 | 137.14 |
| CTC-1373602 | P-UB-10 | 2-1/4 X 4-1/2 | 211.95 | CTC-1531282 | I-SP-3,10 | 7-3/4, 11-1/2 X 10, 12-3/4 | 939.12 |
| CTC-1373661 | P-UB-10 | 100 X 140 mm | 204.56 | CTC-1533724 | P-UB-10 | 2-1/2 X 4 | 293.46 |
| CTC-1373763 | P-UB-10 | 85 X 120 | 507.19 | CTC-1534973 | P-UB-10 | 3-1/2 X 8-1/2 | 365.98 |
| CTC-1373764 | P-UB-10 | 100 X 140 | 442.66 | CTC-1539053 | P-UB-10 | 1-3/4 X 2-3/4 | 190.69 |
| CTC-1373765 | P-UB-10 | 90 X 130 | 652.86 | CTC-1539054 | P-UB-10 | 1-3/4 X 2-1/2 | 155.22 |
| CTC-1373766 | P-UB-10 | 100 X 140 | 424.92 | CTC-1540728 | P-UB-10 | 85 X 120 | 668.97 |
| CTC-1373767 | P-UB-10 | 105 X 150 | 574.46 | CTC-1540735 | P-UB-10 | 100 X 140 mm | 508.97 |
| CTC-1373768 | P-UB-10 | 90 X 130 | 604.17 | CTC-1540744 | P-UB-10 | 85 X 120 | 606.55 |
| CTC-1378527 | P-UB-10 | 2 X 4-1/4 | 133.56 | CTC-1540748 | P-UB-10 | 90 X 130 mm | 395.14 |
| CTC-1378646 | P-UB-10 | 3 X 5-1/4 | 251.93 | CTC-1540757 | P-UB-10 | 90 X 130mm | 615.01 |
| CTC-1378662 | P-UB-10 | 2 X 4-1/4 | 176.06 | CTC-1540761 | P-UB-10 | 100 X 140 | 524.30 |
| CTC-1379011 | P-UB-10 | 55 X 100 mm | 344.58 | CTC-1540766 | P-UB-10 | 105 X 150 | 538.28 |
| CTC-1379403 | P-UB-10 | 105 X 150 mm | 496.75 | CTC-1540773 | P-UB-10 | 90 X 130mm | 614.58 |
| CTC-1416667K | P-UB-10 | 3-1/2 X 5-1/2 | 219.06 | CTC-1542501 | P-UB-10 | 2-1/2 X 4 | 196.93 |
| CTC-1417296 | P-U-3 | 7 X 8-1/2 | 374.87 | CTC-1542502 | P-UB-10 | 2-1/2 X 7-1/4 | 251.57 |
| CTC-1417975 | P-UB-4 | 3-1/2 X 4-1/2 | 219.32 | CTC-1542503 | P-UB-10 | 3 X 4-3/4 | 171.66 |
| CTC-1425422 | P-UB-10 | 75 X 110 mm | 378.57 | CTC-1542505 | P-UB-10 | 6 X 7-1/2 | 611.02 |
| CTC-1425425 | P-UB-10 | 80 X 120 mm | 387.09 | CTC-1546525 | P-UB-10 | 2-1/4 X 4-3/4 | 210.07 |
| CTC-1425428 | P-UB-10 | 65 X 100 mm | 389.40 | CTC-1546526 | P-UB-10 | 2-1/4 X 4 | 196.04 |
| CTC-1428962 | I-U-10 | 35 X 50 mm | 68.42 | CTC-1553652K | P-UB-10 | 3 X 6-1/2 | 206.51 |
| CTC-1428963 | P-U-10 | 30 X 65 mm | 135.74 | CTC-1558421 | I-U-15 | 60 X 110 mm | 100.70 |
| CTC-1429192 | P-U-10 | 35 X 70 mm | 65.92 | CTC-1560625 | P-UB-10 | 130 X 180 mm | 577.72 |
| CTC-1429193 | P-U-10 | 40 X 60 mm | 100.93 | CTC-1560626 | P-UB-10 | 140 x 200 mm | 683.30 |
| CTC-1432918 | P-UB-10 | 3 X 5-1/4 | 254.29 | CTC-1560627 | P-UB-10 | 150 X 220 mm | 800.19 |
| CTC-1433201K | P-UB-10 | 100 X 170 mm | 329.72 | CTC-1560656 | P-UB-10 | 110 X 160 mm | 364.93 |
| CTC-1437982 | P-UB-14 | 75 X 110 mm | 459.03 | CTC-1563798 | P-UB-10 | 2-1/2 X 4-3/4 | 212.49 |
| CTC-1437983 | P-UB-14 | 60 X 90 mm | 378.00 | CTC-1565208 | P-UB-10 | 1-1/2 X 2-1/2 | 138.61 |
| CTC-1438139 | P-UB-10 | 130 X 180 mm | 529.58 | CTC-1570246 | P-UB-10 | 2 X 3-1/2 | 181.10 |
| CTC-1438152 | P-UB-10 | 70 X 100 mm | 348.47 | CTC-1570284 | P-UB-10 | 3-1/2 x 7-3/4 | 234.30 |
| CTC-1438153 | P-UB-10 | 65 X 100 mm | 314.91 | CTC-1570286 | P-UB-10 | 2-1/2 X 5-1/2 | 233.79 |
| CTC-1438154 | P-UB-10 | 75 X 110 mm | 337.05 | CTC-1570287 | P-UB-10 | 2-3/4 X 5-1/2 | 203.88 |
| CTC-1438155 | P-UB-10 | 80 X 120 mm | 323.05 | CTC-1570288 | P-UB-10 | 3 X 4-3/4 | 223.98 |
| CTC-1456902 | O-RING KIT | | 7.15 | CTC-1570289 | P-UB-10 | 7 X 11 | 1,312.45 |
| CTC-1468928K | P-UB-10 | 4-1/2 X 150 mm | 226.17 | CTC-1570290 | P-UB-10 | 2 X 4 | 184.90 |
| CTC-1469624 | P-UB-10 | 3-1/4 X 9-1/4 | 330.21 | CTC-1582872 | P-UB-10 | 3 X 5 | 320.25 |
| CTC-1469631 | P-UB-10 | 3-1/4 X 9-1/4 | 334.56 | CTC-1586389 | P-UB-10 | 75 X 110 mm | 287.62 |
| CTC-1469860 | P-UB-10 | 2-1/2 X 4-1/2 | 209.92 | CTC-1588925 | P-UB-10 | 70 X 100 mm | 309.85 |
| CTC-1475740 | P-UB-10 | 140 X 200 mm | 441.14 | CTC-1588926 | P-UB-10 | 80 X 110 mm | 340.65 |

REPLACEMENT KITS FOR CATERPILLAR® EQUIPMENT

NOTE: CATERPILLAR kit numbers are used as a reference only. We do not imply that these kits are original REPLACEMENT KITS.

| Kit Number | Code (Pg. xiv) | Rod X Bore Size | List Price | Kit Number | Code (Pg. xiv) | Rod X Bore Size | List Price |
|--------------|----------------|-----------------|------------|----------------|----------------|-----------------|------------|
| CTC-1589092 | P-UB-10 | 85 X 120 mm | \$250.14 | CTC-1697831 | P-UB-10 | 75 X 120 mm | \$393.33 |
| CTC-1589093 | P-UB-10 | 100 X 140 mm | 168.04 | CTC-1697832 | P-UB-10 | 70 X 100 mm | 365.01 |
| CTC-1597532 | P-UB-10 | 7 X 11 | 1,312.45 | CTC-1697834 | P-UB-10 | 55 X 100 mm | 333.38 |
| CTC-1597773 | P-UB-10 | 85 X 120 mm | 276.99 | CTC-1697835 | P-UB-10 | 80 X 120 | 296.58 |
| CTC-1597774 | P-UB-10 | 100 X 140 mm | 207.30 | CTC-1697836 | P-UB-10 | 70 X 100 | 394.36 |
| CTC-1597775 | P-UB-10 | 85 X 120 mm | 243.71 | CTC-1697837 | P-UB-10 | 75 X 110 mm | 356.25 |
| CTC-1597776 | P-UB-10 | 90 X 130 mm | 678.21 | CTC-1697838 | P-UB-10 | 80 X 120 mm | 372.15 |
| CTC-1597778 | P-UB-10 | 85 X 130 mm | 654.16 | CTC-1697839 | P-UB-10 | 65 X 100 mm | 300.43 |
| CTC-1600045K | P-UB-10 | 2-1/2 X 4-3/4 | 139.05 | CTC-1697840 | P-UB-10 | 75 X 110 mm | 154.99 |
| CTC-1600054K | P-UB-10 | 2-1/2 X 5-1/2 | 109.70 | CTC-1697841 | P-UB-10 | 80 X 120 mm | 365.10 |
| CTC-1605784 | P-UB-10 | 3 X 5 | 99.37 | CTC-1697842 | P-UB-10 | 65 X 100 mm | 332.84 |
| CTC-1605785 | P-UB-10 | 3-1/4 X 6-1/2 | 245.39 | CTC-1697843 | P-UB-10 | 70 X 130 | 345.13 |
| CTC-1605795 | P-UB-10 | 2-1/2 X 5-1/4 | 241.43 | CTC-1697844 | P-UB-10 | 75 X 110 mm | 328.67 |
| CTC-1605796 | P-UB-10 | 3 x 7 | 322.67 | CTC-1697845 | P-UB-14 | 55 X 80 mm | 169.59 |
| CTC-1608546 | P-U-10 | 30 X 60 mm | 70.53 | CTC-1697895 | P-UB-14 | 60 X 90 mm | 282.04 |
| CTC-1624675 | P-UB-10 | 80 X 110 mm | 405.33 | CTC-1699529K | P-UB-10 | 2 X 4 | 99.65 |
| CTC-1624676 | P-UB-10 | 85 X 120 mm | 142.62 | CTC-1699531K | P-UB-10 | 2 X 4 | 94.69 |
| CTC-1624677 | P-UB-10 | 70 X 100 mm | 319.82 | CTC-1700221 | P-UB-10 | 2-1/2 X 4-3/4 | 194.29 |
| CTC-1636105 | P-UB-10 | 2-3/4 X 4-1/2 | 220.34 | CTC-1709827 | P-UB-10 | 70 X 100 mm | 150.42 |
| CTC-1636223 | P-UB-10 | 2-1/2 X 5 | 290.75 | CTC-1709829 | P-UB-10 | 140 X 200 mm | 434.91 |
| CTC-1636935K | P-U-10 | 50 X 90 mm | 162.25 | CTC-1709830 | P-UB-10 | 130 X 180 mm | 537.39 |
| CTC-1636936K | P-U-10 | 45 X 75 mm | 209.26 | CTC-1709929 | P-UB-10 | 70 X 100 mm | 426.37 |
| CTC-1637006K | P-U-10 | 45 X 80 mm | 145.31 | CTC-1709937 | P-UB-10 | 75 X 110 mm | 213.67 |
| CTC-1637007K | P-U-10 | 45 X 80 mm | 145.31 | CTC-1709941 | P-UB-10 | 65 X 100 mm | 177.94 |
| CTC-1637008K | P-U-10 | 40 X 70 mm | 197.42 | CTC-1709946 | P-UB-10 | 80 X 120 mm | 391.83 |
| CTC-1643213 | P-U-10 | 30 X 60 mm | 91.04 | CTC-1709999 | P-UB-10 | 80 X 120 mm | 264.11 |
| CTC-1645174 | P-UB-10 | 100 X 140 mm | 300.06 | CTC-1721685 | P-UB-10 | 2 X 3 | 185.41 |
| CTC-1649430K | P-UB-10 | 1-1/4 X 2-1/2 | 52.51 | CTC-1721687 | P-UB-4 | 4 X 4-1/2 | 203.33 |
| CTC-1650102K | P-UB-10 | 3 X 6-1/2 | 223.87 | CTC-1721688 | P-UB-10 | 2-3/4 X 4 | 217.34 |
| CTC-1654342 | P-UB-14 | 50 X 90 mm | 156.77 | CTC-1721689 | I-UB-5 | 2 X 4-1/2 | 250.86 |
| CTC-1656035 | P-UB-10 | 2-1/2 X 6-1/2 | 246.95 | CTC-1721690 | P-UB-10 | 2 X 4-1/2 | 66.67 |
| CTC-1658633K | P-UB-10 | 3 X 4-3/4 | 177.75 | CTC-1721691 | P-UB-10 | 3-1/2 X 5-1/2 | 235.76 |
| CTC-1659416 | P-UB-10 | 130 X 190 mm | 404.46 | CTC-1721692 | P-UB-10 | 4 X 4-1/2 | 243.50 |
| CTC-1659418 | P-UB-10 | 85 X 120 mm | 191.76 | CTC-1721693 | P-UB-10 | 3-1/2 X 4-1/2 | 252.95 |
| CTC-1659419 | P-UB-10 | 95 X 130 mm | 310.12 | CTC-1724223K | P-U-10 | 45 X 75 mm | 68.99 |
| CTC-1659420 | P-UB-10 | 80 X 110 mm | 190.74 | CTC-1725285 | P-U-10 | 25 X 40 mm | 78.24 |
| CTC-1662835K | P-U-10 | 45 X 75 mm | 67.99 | CTC-1728486 | I-U-10 | 1-3/4 X 63 mm | 91.40 |
| CTC-1663850 | P-UB-10 | 5-1/2 X 10 | 654.36 | CTC-1728487 | I-U-10 | 50 X 70 mm | 74.76 |
| CTC-1668140K | I-UB-10 | 2-3/4 X 3-3/4 | 108.68 | CTC-1728500 | P-UB-10 | 105 X 180 mm | 495.75 |
| CTC-1677551K | P-UB-10 | 2 X 4-1/4 | 68.81 | CTC-1744715K | P-UB-10 | 3-1/4 X 9-1/4 | 277.93 |
| CTC-1680758 | P-UB-10 | 105 X 150 | 465.24 | CTC-1749425 | P-UB-10 | 3-1/2 X 6-1/4 | 322.78 |
| CTC-1680759 | P-UB-10 | 110 X 170 | 549.61 | CTC-1764912 | P-UB-10 | 85 X 120 mm | 361.83 |
| CTC-1680760 | P-UB-10 | 110 X 160 mm | 460.57 | CTC-1764913 | P-UB-10 | 100 X 140 mm | 456.39 |
| CTC-1686942K | P-UB-10 | 5 X 9-1/4 | 462.52 | CTC-1764914 | P-UB-10 | 90 X 130 mm | 194.61 |
| CTC-1686943K | P-UB-10 | 5 X 9-1/4 | 462.52 | CTC-1764934 | P-UB-10 | 85 X 120 mm | 318.98 |
| CTC-1686944K | P-UB-10 | 4-1/2 X 9-1/4 | 522.52 | CTC-1764935 | P-UB-10 | 65 X 100 | 303.50 |
| CTC-1697826 | P-UB-14 | 75 X 110 mm | 182.56 | CTC-1764999 | P-UB-10 | 95 X 130 mm | 329.63 |
| CTC-1697827 | P-UB-14 | 60 X 90 mm | 283.54 | CTC-1771958 | P-U-10 | 32 X 63 mm | 94.81 |
| CTC-1697828 | P-UB-14 | 55 X 80 mm | 205.77 | CTC-1787189 | I-U-10 | 36 X 65 mm | 302.43 |
| CTC-1697829 | P-UB-14 | 55 X 100 mm | 195.87 | CTC-1787189NLN | I-U-10 | 36 X 65 mm | 162.44 |
| CTC-1697830 | P-UB-10 | 65 X 100 mm | 157.72 | CTC-1788382 | P-UB-10 | 100 X 170 mm | 507.58 |

REPLACEMENT KITS FOR CATERPILLAR® EQUIPMENT

NOTE: CATERPILLAR kit numbers are used as a reference only. We do not imply that these kits are original REPLACEMENT KITS.

| Kit Number | Code (Pg. xiv) | Rod X Bore Size | List Price | Kit Number | Code (Pg. xiv) | Rod X Bore Size | List Price |
|--------------|----------------|-----------------|------------|-------------|----------------|-----------------|------------|
| CTC-1791715 | I-U-3 | 3/4 X 1-1/2 | \$20.72 | CTC-1857033 | P-UB-10 | 1-3/4 X 3-3/4 | \$177.77 |
| CTC-1791749 | I-O-3 | 3/4 X 1-1/2 | 7.41 | CTC-1857035 | P-UB-10 | 1-3/4 X 2-3/4 | 153.73 |
| CTC-1794969K | P-U-10 | 45 X 75 mm | 72.97 | CTC-1857036 | P-UB-10 | 1-3/4 X 2-1/2 | 155.22 |
| CTC-1799625 | P-UB-10 | 80 X 110 mm | 345.30 | CTC-1857037 | P-UB-10 | 1-3/4 X 3 | 143.10 |
| CTC-1799634 | P-UB-10 | 85 X 120 mm | 191.76 | CTC-1857662 | P-UB-10 | 2-3/4 X 4-1/2 | 236.22 |
| CTC-1799638 | P-UB-10 | 70 X 100 mm | 134.04 | CTC-1857663 | P-UB-10 | 3-1/4 X 5-1/2 | 373.93 |
| CTC-1799764K | P-UB-10 | 90 X 130 mm | 171.53 | CTC-1857664 | P-UB-10 | 3-1/4 X 5-1/2 | 263.91 |
| CTC-1799772 | P-U-10 | 90 X 130 mm | 283.58 | CTC-1857666 | P-UB-10 | 2 X 4 | 70.93 |
| CTC-1799785K | P-UB-10 | 105 X 150 mm | 222.49 | CTC-1857667 | P-UB-10 | 2 X 3 | 116.13 |
| CTC-1800062 | P-UB-10 | 2-1/8 X 4 | 212.59 | CTC-1857668 | P-V-10 | 2 X 5 | 208.42 |
| CTC-1807208 | P-U,UB-10 | 2 X 4 | 176.21 | CTC-1857669 | P-UB-10 | 2 X 4-1/4 | 66.31 |
| CTC-1807484K | P-UB-10 | 2-1/8 X 4 | 111.70 | CTC-1857670 | P-UB-10 | 2 X 3-1/4 | 56.61 |
| CTC-1807485K | P-UB-10 | 2-1/8 X 4 | 111.70 | CTC-1857671 | P-UB-10 | 2 X 4-1/2 | 62.98 |
| CTC-1809872 | I-U-10 | 1 X 2 | 161.75 | CTC-1857672 | P-UB-10 | 2 X 3-1/2 | 96.79 |
| CTC-1832091 | I-U-10 | 1 X 2 | 15.91 | CTC-1857674 | P-UB-10 | 2 X 3-1/2 | 141.24 |
| CTC-1832848K | P-UB-10 | 2 X 75 mm | 125.15 | CTC-1857675 | P-UB-10 | 2 X 3-3/4 | 164.92 |
| CTC-1832850K | P-UB-10 | 65 mm X 4-3/4 | 218.34 | CTC-1857676 | P-UB-10 | 2 X 5 | 81.49 |
| CTC-1832856K | P-UB-10 | 2 X 85 mm | 169.26 | CTC-1857677 | P-UB-10 | 2 X 4 | 53.28 |
| CTC-1833721K | P-UB-10 | 1-1/2 X 3-1/2 | 95.84 | CTC-1857678 | P-UB-10 | 2 X 3-1/2 | 97.13 |
| CTC-1838459K | P-UB-10 | 1-1/2 X 3-1/2 | 95.84 | CTC-1857680 | P-V-10 | 2 X 4 | 77.18 |
| CTC-1843709K | P-UB-10 | 2-1/2 X 4-1/2 | 100.86 | CTC-1857681 | P-U-10 | 2 X 3-1/2 | 147.72 |
| CTC-1850196 | P-UB-10 | 90 X 130 mm | 226.51 | CTC-1857682 | P-UB-10 | 2 X 4-1/4 | 82.93 |
| CTC-1850223 | P-UB-10 | 85 X 125 mm | 227.29 | CTC-1857683 | P-UB-10 | 2 X 3-1/4 | 60.62 |
| CTC-1851839K | P-UB-10 | 1-1/2 X 3 | 47.14 | CTC-1857684 | P-UB-10 | 2 X 3-3/4 | 60.29 |
| CTC-1855574 | P-UB-10 | 95 X 160 mm | 259.29 | CTC-1857685 | P-UB-10 | 3-1/4 X 5-1/2 | 403.84 |
| CTC-1856582 | P-UB-10 | 1-1/2 X 2-3/4 | 152.89 | CTC-1857686 | P-UB-10 | 2 X 4 | 125.11 |
| CTC-1856583 | P-UB-10 | 1-1/2 X 3 | 62.81 | CTC-1857687 | N-UB-10 | 2 X 4 | 196.52 |
| CTC-1856584 | P-UB-10 | 1-1/2 X 4 | 60.99 | CTC-1857688 | P-UB-10 | 2 X 4 | 95.52 |
| CTC-1856585 | P-UB-10 | 1-1/2 X 2-1/2 | 42.09 | CTC-1857689 | P-UB-10 | 2 X 4-1/2 | 185.74 |
| CTC-1856586 | P-UB-10 | 1-1/2 X 2-3/4 | 47.10 | CTC-1857694 | P-UB-10 | 2 X 4-1/4 | 149.43 |
| CTC-1856587 | P-UB-10 | 1-1/2 X 3 | 83.31 | CTC-1857696 | P-UB-10 | 2 X 4-1/4 | 61.57 |
| CTC-1856588 | P-UB-10 | 1-1/2 X 3-1/2 | 88.75 | CTC-1857698 | P-UB-10 | 2 X 4 | 74.86 |
| CTC-1856589 | P-UB-10 | 1-1/2 X 3-1/2 | 86.37 | CTC-1857699 | I-UB-10 | 2 X 4-1/2 | 295.21 |
| CTC-1856590 | P-UB-10 | 1-1/2 X 2-1/4 | 41.91 | CTC-1857700 | P-UB-10 | 2 X 4-1/2 | 133.23 |
| CTC-1856591 | P-UB-10 | 1-1/2 X 3-1/2 | 179.73 | CTC-1859502 | P-UB-10 | 2-1/4 X 5 | 81.73 |
| CTC-1856593 | P-UB-10 | 1-1/2 X 3-1/4 | 55.62 | CTC-1859503 | P-UB-10 | 2-1/4 X 3-1/2 | 188.66 |
| CTC-1856596 | P-UB-10 | 1-1/2 X 2-3/4 | 63.53 | CTC-1859504 | P-UB-10 | 2-1/4 X 4-1/2 | 75.19 |
| CTC-1856598 | P-UB-10 | 1-1/2 X 3 | 38.91 | CTC-1859505 | P-UB-10 | 2-1/4 X 4-1/2 | 60.36 |
| CTC-1856601 | P-UB-10 | 1-1/2 X 2-1/2 | 71.02 | CTC-1859507 | P-UB-10 | 2-1/4 X 4-1/4 | 152.39 |
| CTC-1857018 | P-UB-10 | 1-3/4 X 3-1/2 | 82.08 | CTC-1859508 | P-UB-10 | 2-1/4 X 4 | 150.14 |
| CTC-1857019 | P-UB-10 | 1-3/4 X 3-1/4 | 44.02 | CTC-1859509 | P-UB-10 | 2-1/4 X 3-3/4 | 151.62 |
| CTC-1857020 | P-UB-10 | 1-3/4 X 3-1/2 | 94.21 | CTC-1859510 | P-UB-10 | 2-1/4 X 4 | 156.35 |
| CTC-1857021 | P-UB-10 | 1-3/4 X 4 | 40.71 | CTC-1859511 | P-UB-10 | 2-1/4 X 4-3/4 | 168.10 |
| CTC-1857022 | P-UB-10 | 1-3/4 X 3 | 38.69 | CTC-1859512 | P-UB-10 | 2-1/4 X 3-1/2 | 153.61 |
| CTC-1857023 | P-UB-10 | 1-3/4 X 3-3/4 | 43.65 | CTC-1859517 | P-UB-10 | 2-1/4 X 4-1/4 | 183.10 |
| CTC-1857024 | P-UB-10 | 1-3/4 X 2-3/4 | 75.50 | CTC-1859519 | P-UB-10 | 2-1/4 X 4-3/4 | 198.83 |
| CTC-1857025 | P-UB-10 | 1-3/4 X 3 | 72.85 | CTC-1859523 | P-UB-10 | 2-1/4 X 4-1/2 | 72.49 |
| CTC-1857026 | P-UB-10 | 1-3/4 X 2-1/2 | 142.03 | CTC-1859525 | P-UB-10 | 2-1/4 X 4-1/2 | 188.23 |
| CTC-1857027 | P-UB-10 | 1-3/4 X 2-3/4 | 39.91 | CTC-1859526 | P-UB-10 | 2-1/4 X 3-1/2 | 239.99 |
| CTC-1857029 | P-UB-10 | 1-3/4 X 4 | 183.41 | CTC-1859527 | P-UB-10 | 2-1/4 X 4 | 157.22 |
| CTC-1857030 | P-UB-10 | 1-3/4 X 3-1/4 | 139.78 | CTC-1859528 | P-UB-10 | 2-1/4 X 3-3/4 | 182.12 |

REPLACEMENT KITS FOR CATERPILLAR® EQUIPMENT

NOTE: CATERPILLAR kit numbers are used as a reference only. We do not imply that these kits are original REPLACEMENT KITS.

| Kit Number | Code (Pg. xiv) | Rod X Bore Size | List Price | Kit Number | Code (Pg. xiv) | Rod X Bore Size | List Price |
|-------------|----------------|-----------------|------------|-------------|----------------|-----------------|------------|
| CTC-1859530 | P-UB-10 | 2-1/4 X 4-1/2 | \$192.43 | CTC-1864398 | P-UB-10 | 2-1/2 X 6-1/2 | \$275.65 |
| CTC-1859532 | P-UB-10 | 2-1/4 X 4-1/2 | 234.16 | CTC-1864399 | P-UB-10 | 2-1/2 X 4-3/4 | 115.30 |
| CTC-1859534 | P-UB-10 | 2-1/4 X 4-3/4 | 234.56 | CTC-1864401 | P-UB-10 | 4-3/4 X 6-1/2 | 489.29 |
| CTC-1859535 | P-UB-10 | 2-1/4 X 4 | 123.07 | CTC-1864404 | P-UB-10 | 2-1/8 X 4 | 136.62 |
| CTC-1864327 | I-UB-10 | 2-1/2 X 3-1/2 | 95.53 | CTC-1864405 | P-UB-10 | 2-3/8 X 4-1/4 | 187.73 |
| CTC-1864328 | P-UB-10 | 2-1/2 X 4-1/4 | 149.43 | CTC-1864406 | P-UB-10 | 2-1/8 X 3-1/2 | 207.98 |
| CTC-1864329 | P-UB-10 | 2-1/2 X 5-1/2 | 272.48 | CTC-1869285 | P-UB-10 | 5-1/2 X 10-1/2 | 598.63 |
| CTC-1864330 | P-UB-10 | 2-1/2 X 6 | 329.87 | CTC-1883143 | P-UB-10 | 2-1/4 X 5 | 129.64 |
| CTC-1864331 | P-UB-10 | 2-1/2 X 6-1/2 | 332.05 | CTC-1884219 | P-UB-10 | 105 X 150 mm | 222.49 |
| CTC-1864332 | P-UB-10 | 2-1/2 X 5 | 100.33 | CTC-1884457 | P-UB-10 | 95 X 160 mm | 300.84 |
| CTC-1864333 | P-UB-10 | 2-1/2 X 4 | 83.11 | CTC-1890263 | P-UB-10 | 3-1/2 X 5-1/2 | 337.27 |
| CTC-1864334 | P-UB-10 | 2-1/2 X 7-1/4 | 184.73 | CTC-1890264 | P-UB-10 | 3-1/4 X 8-1/4 | 190.87 |
| CTC-1864335 | P-UB-10 | 2-1/2 X 6 | 317.15 | CTC-1890267 | P-UB-10 | 3-1/2 X 8-1/4 | 362.56 |
| CTC-1864336 | P-UB-10 | 2-1/2 X 4-1/4 | 124.30 | CTC-1890268 | P-U-10 | 2-3/4 X 5 | 105.31 |
| CTC-1864337 | P-UB-10 | 2-1/2 X 4-1/4 | 68.57 | CTC-1890269 | P-UB-10 | 3 X 6-1/2 | 246.67 |
| CTC-1864338 | P-UB-10 | 2-1/2 X 4 | 111.96 | CTC-1890271 | P-UB-10 | 2-3/8 X 3-3/4 | 72.52 |
| CTC-1864339 | P-UB-10 | 2-1/2 X 6-1/2 | 273.40 | CTC-1890272 | P-UB-10 | 4-3/4 X 6 | 459.18 |
| CTC-1864340 | P-UB-10 | 2-1/2 X 6 | 142.77 | CTC-1890273 | P-UB-10 | 3 X 4 | 285.93 |
| CTC-1864341 | P-UB-10 | 2-1/2 X 3-3/4 | 75.00 | CTC-1890274 | P-UB-10 | 2-5/8 X 5-1/4 | 292.39 |
| CTC-1864342 | P-UB-10 | 2-1/2 X 5-1/2 | 222.94 | CTC-1890281 | P-UB-10 | 100 X 140 mm | 549.71 |
| CTC-1864349 | P-U-10 | 2-1/2 X 6 | 118.76 | CTC-1890282 | P-UB-10 | 100 x 140 mm | 397.88 |
| CTC-1864350 | P-UB-10 | 2-1/2 X 4-3/4 | 163.44 | CTC-1891778 | I-U-10 | 6 X 8-1/4 | 683.29 |
| CTC-1864351 | P-UB-10 | 2-1/2 X 6 | 184.58 | CTC-1891796 | I-U-10 | 7-1/4 X 10-1/4 | 990.26 |
| CTC-1864356 | P-UB-10 | 2-1/2 X 5-1/2 | 244.84 | CTC-1895369 | P-UB-10 | 3-1/4 X 7 | 274.85 |
| CTC-1864357 | P-UB-10 | 2-1/2 X 6-1/2 | 128.68 | CTC-1895370 | P-UB-10 | 3-1/4 X 7 | 314.89 |
| CTC-1864358 | P-U-10 | 2-1/2 X 5-1/2 | 75.01 | CTC-1895371 | P-UB-10 | 3-1/4 X 7 | 363.15 |
| CTC-1864359 | P-UB-10 | 2-1/2 X 4-3/4 | 183.70 | CTC-1895373 | P-UB-10 | 3-1/4 X 8-1/4 | 230.96 |
| CTC-1864362 | P-UB-10 | 2-1/2 X 4-1/2 | 100.19 | CTC-1895374 | P-UB-10 | 3-1/4 X 7 | 148.31 |
| CTC-1864363 | P-UB-10 | 2-1/2 X 5 | 111.22 | CTC-1895375 | P-UB-10 | 3-1/4 X 7 | 204.23 |
| CTC-1864365 | P-UB-10 | 2-1/2 X 5 | 96.66 | CTC-1895377 | P-UB-10 | 3-1/4 x 9-1/4 | 330.69 |
| CTC-1864366 | P-UB-10 | 2-1/2 X 5 | 233.60 | CTC-1895378 | P-UB-10 | 3-1/4 X 9-1/4 | 315.49 |
| CTC-1864368 | P-UB-10 | 2-1/2 X 6 | 102.99 | CTC-1895379 | P-UB-10 | 3-1/4 X 9-1/4 | 337.59 |
| CTC-1864369 | P-UB-10 | 2-1/2 X 3-3/4 | 181.67 | CTC-1895381 | P-UB-10 | 3-1/4 X 5-1/2 | 197.95 |
| CTC-1864371 | P-UB-10 | 2-1/2 X 4 | 176.71 | CTC-1895382 | P-UB-10 | 3-1/4 X 5-1/2 | 399.75 |
| CTC-1864373 | P-UB-10 | 2-1/2 X 4-1/4 | 140.74 | CTC-1895383 | P-UB-10 | 3-1/4 X 8-1/4 | 380.11 |
| CTC-1864375 | P-UB-10 | 2-1/2 X 5-1/2 | 260.45 | CTC-1895384 | P-UB-10 | 3-1/4 X 7-3/4 | 247.98 |
| CTC-1864378 | P-UB-10 | 2-1/2 X 4-3/4 | 121.83 | CTC-1895386 | P-UB-10 | 3-1/4 X 7-1/4 | 349.28 |
| CTC-1864379 | P-UB-10 | 2-1/2 X 4 | 187.02 | CTC-1895387 | P-UB-10 | 3-1/4 X 6-1/2 | 288.41 |
| CTC-1864380 | P-UB-10 | 2-1/2 X 4 | 229.02 | CTC-1905431 | P-UB-10 | 3-1/4 X 8-1/4 | 285.39 |
| CTC-1864381 | P-UB-10 | 2-1/2 X 4-3/4 | 213.10 | CTC-1905432 | P-UB-10 | 3-1/4 X 9-1/4 | 475.23 |
| CTC-1864382 | P-UB-10 | 2-1/2 X 4-3/4 | 130.14 | CTC-1905434 | P-UB-10 | 3-1/4 X 9-1/4 | 345.08 |
| CTC-1864383 | P-UB-10 | 2-1/2 X 5 | 200.76 | CTC-1908141 | P-UB-10 | 2-1/2 X 4-1/2 | 232.66 |
| CTC-1864386 | P-UB-10 | 2-1/2 X 6-1/2 | 107.17 | CTC-1912319 | P-UB-10 | 3-1/4 X 5-1/2 | 263.78 |
| CTC-1864388 | P-UB-10 | 2-1/2 X 6-1/2 | 237.11 | CTC-1912321 | P-UB-10 | 3 X 5-1/2 | 270.24 |
| CTC-1864389 | P-U-10 | 2-1/2 X 5 | 162.30 | CTC-1912322 | P-UB-10 | 3 X 5-1/2 | 164.66 |
| CTC-1864391 | P-UB-10 | 2-1/2 X 4-1/2 | 109.70 | CTC-1912430 | P-U-10 | 3 X 6-1/2 | 178.44 |
| CTC-1864392 | P-UB-10 | 2-1/2 X 4 | 231.14 | CTC-1912432 | P-UB-10 | 3 X 6-1/2 | 144.82 |
| CTC-1864393 | P-UB-10 | 2-1/2 X 7-1/4 | 251.57 | CTC-1912433 | P-UB-10 | 3 X 7-1/4 | 307.25 |
| CTC-1864394 | P-UB-10 | 2-1/2 X 4-3/4 | 237.26 | CTC-1912434 | P-UB-10 | 3 X 7-1/4 | 183.19 |
| CTC-1864396 | P-UB-10 | 2-1/2 X 5-1/2 | 274.38 | CTC-1913170 | P-UB-10 | 110 X 170 mm | 559.83 |
| CTC-1864397 | P-UB-10 | 2-1/2 X 5-1/4 | 245.05 | CTC-1913171 | P-UB-10 | 110 X 170 mm | 329.72 |

REPLACEMENT KITS FOR CATERPILLAR® EQUIPMENT

NOTE: CATERPILLAR kit numbers are used as a reference only. We do not imply that these kits are original REPLACEMENT KITS.

| Kit Number | Code (Pg. xiv) | Rod X Bore Size | List Price | Kit Number | Code (Pg. xiv) | Rod X Bore Size | List Price |
|--------------|----------------|-----------------|------------|-------------|----------------|-----------------|------------|
| CTC-1913564 | P-UB-10 | 3 X 6-1/2 | \$134.94 | CTC-1932346 | P-UB-10 | 3-1/2 X 6 | \$418.94 |
| CTC-1913565 | P-UB-10 | 3 X 6-1/2 | 166.85 | CTC-1932347 | P-UB-10 | 3 X 5 | 251.31 |
| CTC-1915027 | I-U-10 | 2-3/4 X 4 | 161.05 | CTC-1932348 | P-UB-10 | 3 X 7 | 353.77 |
| CTC-1915028 | P-UB-10 | 3 X 4-3/4 | 154.40 | CTC-1933088 | P-UB-10 | 1-7/8 X 3-1/4 | 120.16 |
| CTC-1915029 | P-UB-10 | 3 X 4-3/4 | 329.68 | CTC-1933089 | P-UB-10 | 2-3/4 X 5 | 176.97 |
| CTC-1915030 | P-UB-10 | 3 X 4-3/4 | 222.21 | CTC-1933090 | P-UB-10 | 2-3/4 X 6-1/2 | 268.26 |
| CTC-1915031 | P-UB-10 | 3 X 6 | 183.64 | CTC-1933091 | P-UB-10 | 2-3/4 X 7-1/4 | 216.24 |
| CTC-1915619 | P-UB-10 | 105 X 150 mm | 222.49 | CTC-1933092 | P-UB-10 | 2-3/4 X 6-1/2 | 113.02 |
| CTC-1915649 | P-UB-10 | 115 X 170 mm | 435.81 | CTC-1933093 | P-UB-10 | 2-3/4 X 5-1/2 | 207.82 |
| CTC-1916508 | P-UB-10 | 3 X 7-1/4 | 215.76 | CTC-1933094 | P-UB-10 | 2-3/4 X 7 | 343.72 |
| CTC-1916511 | P-UB-10 | 3 X 7-1/4 | 237.01 | CTC-1933096 | P-UB-10 | 3-1/2 X 7-1/2 | 381.21 |
| CTC-1917692 | P-UB-10 | 3 X 6-1/4 | 228.61 | CTC-1933097 | P-UB-10 | 2-3/4 X 6-1/2 | 132.16 |
| CTC-1917693 | P-UB-10 | 3-1/4 X 9-1/4 | 434.61 | CTC-1933098 | P-UB-10 | 4 X 10 | 316.61 |
| CTC-1917694 | P-UB-10 | 3 X 6-1/4 | 298.24 | CTC-1933099 | P-UB-10 | 4 X 10 | 458.87 |
| CTC-1917696 | P-UB-10 | 3-1/4 X 9-1/4 | 491.70 | CTC-1933102 | P-UB-10 | 4 X 9-1/4 | 432.15 |
| CTC-1917721K | P-UB-10 | 1-1/2 X 3 | 56.90 | CTC-1933103 | P-UB-10 | 4 X 10-1/2 | 525.22 |
| CTC-1917725K | P-UB-10 | 1-1/2 X 3 | 56.90 | CTC-1933104 | P-UB-10 | 2-3/4 X 6-1/2 | 310.76 |
| CTC-1917753K | P-UB-10 | 2-3/8 X 4-1/2 | 112.59 | CTC-1933106 | P-UB-10 | 2-3/4 X 5-1/2 | 275.01 |
| CTC-1917839K | I-UB-10 | 2-3/4 X 3-3/4 | 110.56 | CTC-1933108 | P-UB-10 | 2-3/4 X 7 | 352.33 |
| CTC-1918161K | P-UB-10 | 2 X 4 | 64.13 | CTC-1933112 | P-UB-10 | 4 X 9-1/4 | 322.11 |
| CTC-1919203 | P-UB-10 | 3 X 6-1/4 | 213.34 | CTC-1933114 | P-UB-10 | 2-3/4 X 7-1/4 | 315.95 |
| CTC-1919204 | P-UB-10 | 3 X 6 | 223.29 | CTC-1933115 | P-UB-10 | 3-1/2 X 8-1/2 | 489.18 |
| CTC-1919205 | P-UB-10 | 3-1/4 X 8-1/4 | 220.98 | CTC-1933116 | P-UB-10 | 3-1/2 X 7-3/4 | 207.72 |
| CTC-1919206 | P-UB-10 | 3-1/4 X 6-1/2 | 273.84 | CTC-1933117 | P-UB-10 | 2-3/4 X 4-1/2 | 153.01 |
| CTC-1919207 | P-UB-10 | 3-1/4 X 9-1/4 | 332.74 | CTC-1934321 | P-U-10 | 50 X 85 mm | 184.90 |
| CTC-1919208 | P-UB-10 | 4 X 6-1/2 | 629.40 | CTC-1934322 | P-U-10 | 50 X 90 mm | 122.18 |
| CTC-1919209 | P-UB-10 | 3-1/4 X 9-1/4 | 369.37 | CTC-1934323 | P-U-10 | 45 X 75 mm | 99.97 |
| CTC-1919212 | P-UB-10 | 3 X 6 | 235.74 | CTC-1934324 | P-U-10 | 50 X 100 mm | 174.70 |
| CTC-1919214 | P-UB-10 | 3-1/4 X 6-1/2 | 326.63 | CTC-1934325 | P-U-10 | 50 X 80 mm | 159.24 |
| CTC-1919216 | P-UB-10 | 4 X 6-1/2 | 585.31 | CTC-1935427 | P-UB-10 | 2-3/4 X 6 | 128.93 |
| CTC-1919605 | P-U-10 | 45 X 60 mm | 98.11 | CTC-1935428 | P-UB-10 | 2-3/4 X 7-1/4 | 244.85 |
| CTC-1920738 | P-UB-10 | 3-1/4 X 5-1/2 | 251.47 | CTC-1935429 | P-UB-10 | 4 X 7 | 415.08 |
| CTC-1920739 | P-UB-10 | 3-1/4 X 7-1/4 | 227.91 | CTC-1935431 | P-UB-10 | 2-1/8 X 4 | 120.16 |
| CTC-1920740 | P-UB-10 | 3-1/4 X 7-1/4 | 303.58 | CTC-1935433 | P-UB-10 | 3-1/2 X 8-1/4 | 287.98 |
| CTC-1920742 | P-UB-10 | 3 X 4-3/4 | 275.28 | CTC-1935434 | P-UB-10 | 4 X 7 | 443.57 |
| CTC-1920743 | P-UB-10 | 3 X 5-1/4 | 334.72 | CTC-1935435 | P-UB-10 | 4 X 7 | 472.87 |
| CTC-1921409 | P-UB-10 | 3 X 7-1/4 | 229.25 | CTC-1935437 | P-UB-10 | 4 X 7 | 449.48 |
| CTC-1921411 | P-UB-10 | 3 X 4-1/2 | 261.62 | CTC-1935438 | P-UB-10 | 2-3/4 X 6 | 92.75 |
| CTC-1922811K | P-UB-10 | 2-1/4 X 4-1/2 | 101.09 | CTC-1935440 | P-UB-10 | 2-3/4 X 7-1/4 | 344.90 |
| CTC-1923003 | P-UB-10 | 3 X 8-1/4 | 420.73 | CTC-1937619 | P-UB-10 | 2-3/4 X 5 | 237.49 |
| CTC-1923004 | P-UB-10 | 3-1/4 X 6 | 289.36 | CTC-1937620 | P-UB-10 | 2-3/4 X 4-1/4 | 118.05 |
| CTC-1923006 | P-UB-10 | 3 X 5-1/4 | 250.77 | CTC-1937621 | P-UB-10 | 2-3/4 X 5-1/2 | 192.81 |
| CTC-1923007 | P-UB-10 | 3 X 4-3/4 | 244.03 | CTC-1937622 | P-UB-10 | 3-1/2 X 7-1/2 | 207.94 |
| CTC-1923008 | P-UB-10 | 3 X 4-3/4 | 212.75 | CTC-1937623 | P-UB-10 | 2-3/4 X 6 | 203.67 |
| CTC-1923009 | P-UB-10 | 2-3/4 X 6-1/4 | 333.56 | CTC-1937624 | P-UB-10 | 2-3/4 X 6-1/2 | 217.13 |
| CTC-1923010 | P-UB-10 | 3 X 5-1/4 | 183.16 | CTC-1937625 | P-UB-10 | 4 X 6 | 285.02 |
| CTC-1923884K | P-UB-10 | 2 X 75 mm | 94.04 | CTC-1937626 | P-UB-10 | 1-7/8 X 3 | 274.65 |
| CTC-1926445K | P-UB-10 | 3-1/2 X 9-1/4 | 265.64 | CTC-1937628 | P-UB-10 | 3-1/2 X 8-1/4 | 433.48 |
| CTC-1926446K | P-UB-10 | 3-1/2 X 9-1/4 | 265.64 | CTC-1937629 | P-UB-10 | 2-3/4 X 4-1/4 | 204.05 |
| CTC-1932344 | P-UB-10 | 3-1/2 X 6 | 366.93 | CTC-1937630 | P-UB-10 | 2-3/4 X 5-1/2 | 271.71 |
| CTC-1932345 | P-UB-10 | 3 X 5-1/4 | 215.67 | CTC-1937631 | P-UB-10 | 2-3/4 X 5-1/2 | 291.56 |

REPLACEMENT KITS FOR CATERPILLAR® EQUIPMENT

NOTE: CATERPILLAR kit numbers are used as a reference only. We do not imply that these kits are original REPLACEMENT KITS.

| Kit Number | Code (Pg. xiv) | Rod X Bore Size | List Price | Kit Number | Code (Pg. xiv) | Rod X Bore Size | List Price |
|--------------|----------------|-----------------|------------|---------------|----------------|-----------------|------------|
| CTC-1937633 | P-UB-10 | 3-1/2 X 7-1/2 | \$328.67 | CTC-1989433 | P-U-10 | 55 X 100 mm | \$119.87 |
| CTC-1937635 | P-UB-10 | 3-1/2 X 6-1/4 | 329.28 | CTC-1990609 | P-U-10 | 55 X 85 mm | 113.76 |
| CTC-1937637 | P-UB-10 | 3-1/2 X 8-1/4 | 381.74 | CTC-1991149 | P-U-10 | 45 X 75 mm | 95.89 |
| CTC-1937639 | P-UB-10 | 2-3/4 X 5-1/2 | 164.75 | CTC-1992097 | P-U-10 | 50 X 90 mm | 132.34 |
| CTC-1937640 | P-UB-10 | 3-1/2 X 6-1/4 | 287.11 | CTC-1992402 | P-U-10 | 55 X 100 mm | 121.98 |
| CTC-1937852K | P-U-10 | 45 X 75 mm | 100.03 | CTC-1997416 | P-UB-10 | 105 X 150 mm | 282.84 |
| CTC-1937855K | P-U-10 | 45 X 80 mm | 86.79 | CTC-1997417 | P-UB-10 | 110 X 170 mm | 306.06 |
| CTC-1937859K | P-U-10 | 45 X 85 mm | 101.76 | CTC-2000920 | P-U-10 | 70 X 130 mm | 205.39 |
| CTC-1939260 | P-UB-10 | 4 X 8-1/2 | 474.86 | CTC-2003239 | P-UB-10 | 75 X 120 mm | 114.48 |
| CTC-1939261 | P-UB-10 | 3-3/4 X 6 | 327.91 | CTC-2003240 | P-UB-10 | 70 X 100 mm | 132.08 |
| CTC-1939263 | P-UB-10 | 3-3/4 X 6 | 350.57 | CTC-2003242 | P-UB-10 | 55 X 100 mm | 193.63 |
| CTC-1939264 | P-UB-10 | 3-1/2 X 7-1/4 | 238.83 | CTC-2003315 | P-UB-10 | 105 X 150 mm | 222.49 |
| CTC-1939265 | P-UB-10 | 3-1/2 X 4-1/2 | 376.12 | CTC-2003361 | P-UB-10 | 75 X 130 mm | 271.55 |
| CTC-1939266 | P-UB-10 | 3-1/2 X 10 | 466.42 | CTC-2003495 | P-UB-10 | 140 X 200 mm | 377.82 |
| CTC-1939267 | P-UB-10 | 2-3/4 X 6 | 230.03 | CTC-2003497 | P-UB-10 | 150 X 220 mm | 663.99 |
| CTC-1939269 | P-UB-10 | 2-3/4 X 5-1/2 | 167.61 | CTC-2003498 | P-UB-10 | 130 X 190 mm | 429.16 |
| CTC-1939270 | I-UB-10 | 2-3/4 X 3-3/4 | 139.64 | CTC-2003499 | P-UB-10 | 130 X 180 mm | 416.27 |
| CTC-1942756 | P-UB-10 | 3-1/2 X 4-1/2 | 453.42 | CTC-2003572 | P-UB-10 | 110 X 160 mm | 320.85 |
| CTC-1944389 | P-UB-10 | 3-3/4 X 6-1/2 | 263.53 | CTC-2003621 | P-UB-10 | 130 X 190 mm | 633.90 |
| CTC-1944393 | P-UB-10 | 3-3/4 X 6-1/2 | 263.77 | CTC-2007128K | P-UB-10 | 2 X 4 | 64.19 |
| CTC-1944395 | P-UB-10 | 7 X 11 | 1,312.45 | CTC-2011056K | P-UB-10 | 1-1/2 X 2-3/4 | 59.43 |
| CTC-1944396 | P-UB-10 | 4 X 4-1/2 | 334.62 | CTC-2014838 | P-UB-10 | 3 X 4-3/4 | 302.30 |
| CTC-1944397 | P-UB-10 | 2-3/4 X 4 | 226.83 | CTC-2022263 | P-UB-10 | 100 X 140 mm | 470.67 |
| CTC-1944398 | P-UB-10 | 4 X 4-1/2 | 314.86 | CTC-2022264 | P-UB-10 | 105 X 150 mm | 497.07 |
| CTC-1944399 | P-UB-10 | 3-1/2 X 4-1/2 | 335.31 | CTC-2027897 | I-U-5 | 40 X 60 mm | 56.71 |
| CTC-1945583 | P-UB-10 | 2-3/8 X 4-1/2 | 111.97 | CTC-2028910K | P-U-10 | 4 X 5-1/4 | 191.14 |
| CTC-1945586 | P-UB-10 | 3-1/2 X 10-1/2 | 498.26 | CTC-2037756K | P-U-10 | 75 X 125 mm | 198.90 |
| CTC-1945587 | P-UB-10 | 3-1/2 X 8-1/4 | 260.29 | CTC-2037847K | P-U-10 | 45 X 75 mm | 65.57 |
| CTC-1945588 | P-UB-10 | 7 X 11 | 795.96 | CTC-2037847K2 | P-U-10 | 45 X 75 mm | 74.07 |
| CTC-1945591 | P-UB-10 | 4-1/4 X 6-1/2 | 540.24 | CTC-2041129 | P-UB-10 | 1-3/4 X 3-1/2 | 192.49 |
| CTC-1945593 | P-V-10 | 1-1/4 X 4 | 176.51 | CTC-2042721 | P-UB-10 | 110 X 160 mm | 318.52 |
| CTC-1945594 | P-UB-10 | 4-3/4 X 7-1/4 | 544.48 | CTC-2042726 | P-UB-10 | 145 X 210 mm | 480.43 |
| CTC-1945596 | P-UB-10 | 3-3/4 X 7-3/4 | 308.09 | CTC-2043398 | P-UB-10 | 2-1/2 X 4-1/2 | 270.32 |
| CTC-1945600 | P-UB-10 | 2-3/8 X 4 | 77.37 | CTC-2043616 | P-UB-10 | 100 X 140 mm | 211.41 |
| CTC-1945603 | I-UB-10 | 2-3/4 X 3-3/4 | 119.95 | CTC-2043625 | P-UB-10 | 85 X 120 mm | 326.75 |
| CTC-1945604 | P-UB-10 | 2-1/8 X 4 | 222.29 | CTC-2043626 | P-UB-10 | 100 X 140 mm | 259.58 |
| CTC-1945605 | P-UB-10 | 4-1/4 X 6-1/2 | 439.61 | CTC-2043627 | P-UB-10 | 85 X 120 mm | 191.82 |
| CTC-1945606 | P-UB-10 | 4-1/4 X 7-3/4 | 349.68 | CTC-2043628 | P-UB-10 | 85 X 125 mm | 206.41 |
| CTC-1945608 | P-UB-10 | 4 X 8-1/2 | 385.48 | CTC-2043629 | P-UB-10 | 90 X 130 mm | 372.23 |
| CTC-1945610 | P-UB-10 | 4-3/4 X 7-1/4 | 478.14 | CTC-2043630 | P-UB-10 | 90 X 130 mm | 347.18 |
| CTC-1945611 | P-UB-10 | 4-3/4 X 7 | 438.40 | CTC-2043692 | P-UB-10 | 85 X 120 mm | 203.28 |
| CTC-1945612 | P-UB-10 | 4-3/4 X 6-1/2 | 424.41 | CTC-2044916K | P-UB-10 | 145 X 210 mm | 624.18 |
| CTC-1945614 | I-UB-10 | 2-1/2 X 3-1/2 | 255.28 | CTC-2047813K | P-U-10 | 2 X 100 mm | 104.35 |
| CTC-1948235 | P-UB-10 | 110 X 160 mm | 324.60 | CTC-2050055K | P-U-10 | 2 X 100 mm | 104.35 |
| CTC-1948363 | P-UB-10 | 100 X 140 mm | 551.95 | CTC-2058668 | P-UB-10 | 3 X 7-1/4 | 335.77 |
| CTC-1948366 | P-UB-10 | 105 X 150 mm | 514.22 | CTC-2060520K | P-UB-10 | 2-1/8 X 4 | 111.70 |
| CTC-1948396 | P-UB-10 | 110 X 160 mm | 290.49 | CTC-2060522K | P-UB-10 | 2-1/8 X 4 | 111.70 |
| CTC-1978079K | P-UB-10 | 2-1/2 X 4 | 67.52 | CTC-2062857 | P-UB-10 | 3-1/4 X 5-1/2 | 333.30 |
| CTC-1978083K | P-UB-10 | 2-1/2 X 4 | 67.52 | CTC-2063805 | P-U-10 | 45 X 65 mm | 134.74 |
| CTC-1980648K | I-U-10 | 45 mm X 60 | 64.22 | CTC-2072068K | P-U-10 | 55 X 125 mm | 204.61 |
| CTC-1987021K | P-U-10 | 50 X 80 mm | 159.29 | CTC-2072084 | I-U-15 | 50 X 90 mm | 481.05 |

REPLACEMENT KITS FOR CATERPILLAR® EQUIPMENT

NOTE: CATERPILLAR kit numbers are used as a reference only. We do not imply that these kits are original REPLACEMENT KITS.

| Kit Number | Code (Pg. xiv) | Rod X Bore Size | List Price | Kit Number | Code (Pg. xiv) | Rod X Bore Size | List Price |
|--------------|----------------|-----------------|------------|--------------|----------------|-----------------|------------|
| CTC-2089504 | P-UB-10 | 105 X 150 mm | \$177.52 | CTC-2171643 | P-U-10 | 55 X 85 mm | \$195.52 |
| CTC-2089505 | P-UB-10 | 150 X 220 mm | 480.54 | CTC-2172886 | I-U-10 | 38 X 85 mm | 185.27 |
| CTC-2089506 | P-UB-10 | 140 X 200 mm | 694.14 | CTC-2179894 | P-UB-10 | 55 X 4-1/2 | 167.45 |
| CTC-2089508 | P-UB-10 | 100 X 140 mm | 196.87 | CTC-2186822 | P-U-10 | 35 X 70 mm | 101.27 |
| CTC-2089509 | P-UB-10 | 90 X 130 mm | 442.67 | CTC-2186823 | P-U-10 | 40 X 60 mm | 81.28 |
| CTC-2092101 | P-UB-10 | 3 X 5-1/2 | 244.93 | CTC-2186824 | P-U-10 | 45 X 65 mm | 85.76 |
| CTC-2094979 | P-UB-10 | 1-7/8 X 3-1/4 | 61.97 | CTC-2186825 | P-U-10 | 30 X 65 mm | 78.42 |
| CTC-2095873 | P-UB-10 | 90 X 130 mm | 531.60 | CTC-2186826 | P-U-10 | 35 X 50 mm | 52.22 |
| CTC-2095874 | P-UB-10 | 100 X 140 mm | 348.43 | CTC-2186827 | P-U-10 | 45 X 60 mm | 78.77 |
| CTC-2095959 | P-UB-10 | 95 X 130 mm | 648.96 | CTC-2190541K | P-U-10 | 40 X 65 mm | 62.44 |
| CTC-2101427 | P-UB-10 | 90 X 160 mm | 468.53 | CTC-2191322 | P-U-5 | 40 X 70 mm | 47.37 |
| CTC-2106150 | P-UB-10 | 105 X 150 mm | 401.74 | CTC-2199066 | P-U-10 | 55 X 95 mm | 220.45 |
| CTC-2106151 | P-UB-10 | 105 X 150 mm | 473.39 | CTC-2222376 | P-UB-10 | 65 X 100 mm | 209.81 |
| CTC-2107077K | P-UB-10 | 2-1/4 X 4-1/4 | 80.38 | CTC-2235944 | I-UB-10 | 2-3/4 X 3-3/4 | 108.68 |
| CTC-2107078K | P-UB-10 | 2-1/4 X 4-1/4 | 77.13 | CTC-2235945 | I-UB-10 | 2-1/2 X 3-1/2 | 90.88 |
| CTC-2107081K | P-UB-10 | 65 mm X 4-3/4 | 259.14 | CTC-2245091K | P-UB-10 | 1-1/2 X 3 | 45.97 |
| CTC-2107082K | P-UB-10 | 65 mm X 4-3/4 | 259.14 | CTC-2251846K | P-U-10 | 4 X 5-1/4 | 191.14 |
| CTC-2107085K | I-UB-10 | 2-3/8 X 85 mm | 81.55 | CTC-2254625 | P-UB-10 | 110 X 160 mm | 370.05 |
| CTC-2107087K | I-UB-10 | 2-1/2 X 3-1/2 | 49.69 | CTC-2254646 | P-UB-10 | 130 X 190 | 441.14 |
| CTC-2107088K | I-UB-10 | 2-1/2 X 3-1/2 | 45.99 | CTC-2256727K | P-UB-10 | 3 X 4-3/4 | 179.96 |
| CTC-2107091K | P-UB-10 | 2-1/2 X 5 | 103.47 | CTC-2269959K | P-U-10 | 35 X 65 mm | 70.68 |
| CTC-2110620 | P-UB-10 | 2-1/2 X 5-1/4 | 240.81 | CTC-2270841K | P-UB-10 | 2-1/2 X 6 | 99.98 |
| CTC-2115306 | P-UB-10 | 140 X 200 mm | 624.26 | CTC-2275347 | P-UB-10 | 2-1/2 X 5 | 128.71 |
| CTC-2118740 | P-UB-10 | 85 X 130 mm | 413.06 | CTC-2275348 | P-UB-10 | 2-3/4 X 4-1/2 | 165.03 |
| CTC-2118742 | P-UB-10 | 2-1/2 X 4 | 231.42 | CTC-2275349 | P-UB-10 | 3 X 4-3/4 | 136.11 |
| CTC-2119614 | P-UB-10 | 90 X 130 mm | 216.63 | CTC-2275350 | P-UB-10 | 1-3/4 X 3 | 45.88 |
| CTC-2126328K | P-U-10 | 35 X 65 mm | 70.68 | CTC-2280320K | P-UB-10 | 2 X 4 | 96.80 |
| CTC-2126329K | P-U-10 | 40 X 70 mm | 59.96 | CTC-2280806 | P-UB-10 | 3 X 7 | 398.94 |
| CTC-2126337K | P-U-10 | 45 X 75 mm | 83.09 | CTC-2280807 | P-UB-10 | 3 X 6-1/4 | 365.16 |
| CTC-2138433 | I-U-10 | 2-1/2 X 5 | 17.12 | CTC-2280808 | P-UB-10 | 2-3/4 X 6-1/4 | 333.56 |
| CTC-2144502 | P-UB-10 | 100 X 140 mm | 211.41 | CTC-2280809 | P-UB-10 | 2-3/4 X 5-1/2 | 167.61 |
| CTC-2146321 | P-UB-10 | 100 X 140 mm | 525.95 | CTC-2281775 | P-UB-10 | 3-1/2 X 7-3/4 | 218.80 |
| CTC-2147581 | P-UB-10 | 100 X 140 mm | 527.31 | CTC-2281776 | P-UB-10 | 3 X 5-1/4 | 148.68 |
| CTC-2149170 | P-UB-10 | 3-1/4 X 8-1/4 | 232.74 | CTC-2281778 | P-UB-10 | 2 X 3-1/2 | 106.58 |
| CTC-2152023 | I-U-10 | 36 X 65 mm | 146.53 | CTC-2281779 | P-UB-10 | 3-1/4 X 7 | 206.01 |
| CTC-2152436 | P-UB-10 | 4-3/4 X 7 | 489.51 | CTC-2281780 | P-UB-10 | 3-1/4 X 8-1/4 | 324.55 |
| CTC-2159984 | P-UB-10 | 95 X 130 mm | 148.92 | CTC-2281792 | P-UB-10 | 3-1/4 X 7 | 196.23 |
| CTC-2159985 | P-UB-10 | 100 X 140 mm | 168.04 | CTC-2281793 | P-UB-10 | 3 X 6 | 198.65 |
| CTC-2159986 | P-UB-10 | 90 X 130 mm | 171.53 | CTC-2281795 | P-UB-10 | 1-3/4 X 3-1/2 | 134.61 |
| CTC-2159988 | P-UB-10 | 110 X 160 mm | 274.03 | CTC-2282533 | P-UB-10 | 3-1/2 X 9-1/4 | 431.94 |
| CTC-2159989 | P-UB-10 | 110 X 160 mm | 349.34 | CTC-2285271 | P-UB-10 | 2-1/2 X 4-3/4 | 110.17 |
| CTC-2159990 | P-UB-10 | 110 X 170 | 303.57 | CTC-2285272 | P-UB-10 | 2-1/2 X 4-3/4 | 121.83 |
| CTC-2159995 | P-UB-10 | 140 X 200 mm | 520.20 | CTC-2285273 | P-UB-10 | 2-1/2 X 5-1/2 | 114.23 |
| CTC-2159996 | P-UB-10 | 130 X 180 mm | 392.32 | CTC-2285274 | P-UB-10 | 2-3/4 X 5-1/2 | 297.31 |
| CTC-2159999 | P-UB-10 | 145 X 210 mm | 480.43 | CTC-2285275 | P-UB-10 | 2-3/4 X 5-1/2 | 254.10 |
| CTC-2167247 | P-U-10 | 55 X 100 mm | 184.75 | CTC-2290334 | P-UB-10 | 3-1/4 X 7 | 245.89 |
| CTC-2167388K | P-UB-10 | 1-1/2 X 2-3/4 | 59.43 | CTC-2292626 | P-UB-10 | 2-1/2 X 4 | 134.95 |
| CTC-2167644 | P-U-10 | 50 X 85 mm | 120.59 | CTC-2292758 | P-UB-10 | 3 X 4-1/2 | 116.56 |
| CTC-2167858 | P-UB-10 | 2-1/2 X 4 | 143.37 | CTC-2292968 | P-UB-10 | 3 X 4-3/4 | 316.06 |
| CTC-2168100 | P-U-10 | 45 X 70 mm | 260.53 | CTC-2293635 | P-UB-10 | 3-1/2 X 6-1/4 | 391.32 |
| CTC-2171007 | P-UB-10 | 105 X 180 mm | 455.30 | CTC-2293636 | P-UB-10 | 3-1/2 X 6-1/4 | 436.86 |

REPLACEMENT KITS FOR CATERPILLAR® EQUIPMENT

NOTE: CATERPILLAR kit numbers are used as a reference only. We do not imply that these kits are original REPLACEMENT KITS.

| Kit Number | Code (Pg. xiv) | Rod X Bore Size | List Price | Kit Number | Code (Pg. xiv) | Rod X Bore Size | List Price |
|--------------|----------------|-----------------|------------|--------------|----------------|-----------------|------------|
| CTC-2295507 | P-UB-10 | 4 X 7 | \$332.42 | CTC-2350970 | P-UB-10 | 2-5/8 X 5-1/4 | \$146.58 |
| CTC-2295538 | P-UB-10 | 2-1/2 X 4 | 228.07 | CTC-2350972 | P-UB-10 | 2-3/8 X 4-1/2 | 87.41 |
| CTC-2295546 | P-UB-10 | 4-1/2 X 220 mm | 507.05 | CTC-2350973 | P-UB-10 | 2-3/8 X 4-3/4 | 137.14 |
| CTC-2295549 | P-UB-10 | 5 X 220 mm | 689.56 | CTC-2350974 | P-UB-10 | 3-1/2 X 7 | 187.64 |
| CTC-2297173 | P-UB-10 | 3-1/4 X 8-1/2 | 422.09 | CTC-2355802 | P-UB-10 | 2-3/4 X 6-1/2 | 99.61 |
| CTC-2297189 | P-UB-10 | 7 X 11 | 866.75 | CTC-2355804 | P-UB-10 | 2-3/4 X 6-1/2 | 274.14 |
| CTC-2297190 | P-UB-10 | 5-1/2 X 11 | 622.14 | CTC-2359829K | P-UB-10 | 2-1/2 X 4-1/2 | 75.62 |
| CTC-2297191 | P-UB-10 | 3-1/4 X 5-1/2 | 316.33 | CTC-2366368 | P-UB-10 | 85 X 120 mm | 150.28 |
| CTC-2297194 | P-UB-10 | 2-1/2 X 4-1/2 | 75.66 | CTC-2366389 | P-U-10 | 85 X 120 mm | 150.28 |
| CTC-2304001 | P-UB-10 | 110 X 180 mm | 360.32 | CTC-2369769K | P-UB-10 | 3 X 4-3/4 | 137.69 |
| CTC-2309267K | P-U-10 | 45 X 85 mm | 110.12 | CTC-2370922 | P-UB-10 | 2-1/4 X 4-1/2 | 131.45 |
| CTC-2309357 | I-U-10 | 1-1/2 X 3 | 76.03 | CTC-2375448 | P-UB-10 | 4 X 230 mm | 552.61 |
| CTC-2310898 | P-UB-10 | 2-1/2 X 4-1/2 | 103.44 | CTC-2378277 | P-UB-10 | 2 X 4 | 70.80 |
| CTC-2315021 | I-UB-10 | 2-3/4 X 3-3/4 | 101.67 | CTC-2378313 | P-UB-10 | 3 X 6 | 295.88 |
| CTC-2316844 | P-UB-10 | 115 X 170 mm | 435.81 | CTC-2384462 | P-UB-10 | 2 X 3 | 61.50 |
| CTC-2316845 | P-UB-10 | 115 X 170 mm | 444.94 | CTC-2384487 | P-V-10 | 2 X 5 | 77.16 |
| CTC-2330761 | P-UB-10 | 95 X 130 mm | 482.92 | CTC-2384501 | P-UB-10 | 2 X 4-1/4 | 58.37 |
| CTC-2330763 | P-UB-10 | 100 X 170 mm | 308.25 | CTC-2386661 | P-UB-10 | 2 X 3-1/4 | 57.71 |
| CTC-2330764 | P-UB-10 | 95 X 160 mm | 278.25 | CTC-2386718 | P-UB-10 | 2 X 4-1/2 | 56.77 |
| CTC-2331014 | P-U-10 | 70 X 100 mm | 110.17 | CTC-2386859 | P-UB-10 | 2 X 3-1/2 | 93.43 |
| CTC-2332622 | P-UB-10 | 50 X 100 mm | 85.34 | CTC-2386882 | P-U-10 | 2 X 4-1/2 | 208.27 |
| CTC-2332623 | P-UB-10 | 55 X 100 mm | 148.51 | CTC-2392956 | P-U-10 | 25 X 50 mm | 46.25 |
| CTC-2332628 | P-U-10 | 1-7/8 X 3-1/4 | 190.08 | CTC-2395021 | P-UB-10 | 7-1/2 X 11 | 753.65 |
| CTC-2339204 | P-UB-10 | 1-1/2 X 2-3/4 | 85.83 | CTC-2401661 | P-UB-10 | 1-3/4 X 3-1/2 | 108.87 |
| CTC-2339205 | P-UB-10 | 2 X 4 | 59.01 | CTC-2401671 | P-UB-10 | 1-3/4 X 3-1/4 | 51.39 |
| CTC-2341902 | I-U-15 | 30 mm X 50 mm | 29.94 | CTC-2401881 | P-UB-10 | 1-3/4 X 3-1/2 | 98.74 |
| CTC-2341948 | P-UB-10 | 2-1/2 X 4-3/4 | 124.29 | CTC-2401905 | P-UB-10 | 1-3/4 X 4 | 141.95 |
| CTC-2341949 | P-UB-10 | 2-1/2 X 4 | 67.52 | CTC-2402016 | P-UB-10 | 1-3/4 X 3 | 56.96 |
| CTC-2341950 | P-UB-10 | 2-1/2 X 5-1/4 | 159.15 | CTC-2402481 | P-UB-10 | 1-3/4 X 3-3/4 | 62.04 |
| CTC-2341951 | P-UB-10 | 2-1/2 X 4-1/4 | 226.86 | CTC-2402482 | P-UB-10 | 1-3/4 X 2-3/4 | 56.36 |
| CTC-2342590 | P-UB-10 | 5-1/2 X 10-1/2 | 724.73 | CTC-2402484 | P-UB-10 | 1-3/4 X 2-1/2 | 151.78 |
| CTC-2342591 | P-UB-10 | 2-1/4 X 4 | 88.48 | CTC-2404713 | P-UB-10 | 1-3/4 X 2-3/4 | 136.83 |
| CTC-2342592 | P-UB-10 | 1-1/2 X 2-1/2 | 169.96 | CTC-2404819 | P-UB-10 | 1-3/4 X 4 | 149.01 |
| CTC-2342593 | P-UB-10 | 1-7/8 X 3-1/4 | 87.07 | CTC-2405500 | P-UB-10 | 1-3/4 X 2-1/2 | 79.10 |
| CTC-2342594 | P-UB-10 | 1-3/4 X 3 | 54.02 | CTC-2405524 | P-UB-10 | 1-3/4 X 3 | 166.25 |
| CTC-2342595 | P-UB-10 | 1-3/4 X 2-3/4 | 190.69 | CTC-2406029K | I-UB-10 | 2-3/4 X 3-3/4 | 101.67 |
| CTC-2344442 | P-UB-10 | 110 X 170 mm | 327.60 | CTC-2406030K | I-UB-10 | 2-3/4 X 3-3/4 | 101.67 |
| CTC-2344488 | P-UB-10 | 95 X 135 mm | 196.26 | CTC-2406869 | P-UB-10 | 2 X 3-3/4 | 173.19 |
| CTC-2344566 | P-UB-10 | 100 X 140 mm | 200.54 | CTC-2406883 | P-UB-10 | 2 X 5 | 239.37 |
| CTC-2344576 | P-UB-10 | 105 X 150 mm | 460.60 | CTC-2406899 | P-UB-10 | 2 X 4 | 59.01 |
| CTC-2344587 | P-UB-10 | 95 X 135 mm | 184.02 | CTC-2407308 | P-UB-10 | 2 X 3-1/2 | 97.13 |
| CTC-2344666 | P-UB-10 | 140 X 200 mm | 476.32 | CTC-2407347K | P-UB-10 | 3-1/2 X 7-1/4 | 254.32 |
| CTC-2344667 | P-UB-10 | 150 X 220 mm | 958.21 | CTC-2408479 | P-U-10 | 2 X 5 | 222.53 |
| CTC-2344673 | P-UB-10 | 130 X 180 mm | 403.44 | CTC-2408513 | P-V-10 | 2 X 4 | 221.94 |
| CTC-2344674 | P-UB-10 | 110 X 160 mm | 302.76 | CTC-2408515 | P-U-10 | 2 X 3-1/2 | 147.72 |
| CTC-2350351 | P-UB-10 | 1-3/4 X 2-3/4 | 198.90 | CTC-2408523 | P-UB-10 | 2 X 4-1/4 | 79.02 |
| CTC-2350352 | P-UB-10 | 1-3/4 X 2-3/4 | 138.06 | CTC-2408525 | P-UB-10 | 2 X 3-1/4 | 63.37 |
| CTC-2350353 | P-UB-10 | 1-3/4 X 3 | 195.71 | CTC-2409518 | P-UB-10 | 2 X 3-3/4 | 210.41 |
| CTC-2350354 | P-UB-10 | 1-1/2 X 3 | 47.14 | CTC-2409538 | P-UB-10 | 2 X 4 | 94.69 |
| CTC-2350355 | P-UB-10 | 2-1/4 X 3-1/2 | 220.01 | CTC-2409936 | P-UB-10 | 2 X 4-1/2 | 193.04 |
| CTC-2350969 | P-UB-10 | 2-1/4 X 3-3/4 | 228.34 | CTC-2409938 | P-UB-10 | 2 X 4-1/4 | 166.85 |

REPLACEMENT KITS FOR CATERPILLAR® EQUIPMENT

NOTE: CATERPILLAR kit numbers are used as a reference only. We do not imply that these kits are original REPLACEMENT KITS.

| Kit Number | Code (Pg. xiv) | Rod X Bore Size | List Price | Kit Number | Code (Pg. xiv) | Rod X Bore Size | List Price |
|--------------|----------------|-----------------|------------|--------------|----------------|-----------------|------------|
| CTC-2409939 | P-UB-10 | 2 X 4-1/4 | \$193.18 | CTC-2422558 | P-UB-10 | 2-1/2 X 6 | \$92.25 |
| CTC-2409941 | P-UB-10 | 2 X 4 | 213.31 | CTC-2424270K | P-UB-10 | 3-1/4 X 6-1/4 | 288.11 |
| CTC-2409942 | P-UB-10 | 2 X 4-1/2 | 221.68 | CTC-2424271K | P-UB-10 | 3-1/4 X 5-3/4 | 347.56 |
| CTC-2410108 | P-U-10 | 2 X 4-3/4 | 216.23 | CTC-2424272K | P-UB-10 | 3-1/4 X 5-3/4 | 347.56 |
| CTC-2410109 | P-UB-10 | 2 x 75 mm | 125.15 | CTC-2424273K | P-UB-10 | 3-1/4 X 170 mm | 300.11 |
| CTC-2410110 | P-UB-10 | 2 x 85 mm | 169.26 | CTC-2426770K | P-UB-10 | 90 X 130 mm | 186.46 |
| CTC-2410895 | P-UB-10 | 2-1/4 X 5 | 83.89 | CTC-2426840 | P-UB-10 | 105 X 150 mm | 240.72 |
| CTC-2410896 | P-UB-10 | 2-1/4 X 4-1/2 | 103.75 | CTC-2430381 | P-UB-10 | 2-1/2 X 5-1/2 | 102.01 |
| CTC-2410897 | P-UB-10 | 2-1/4 X 4-1/2 | 63.36 | CTC-2430382 | P-UB-10 | 2-1/2 X 6-1/2 | 150.21 |
| CTC-2410898 | P-UB-10 | 2-1/4 X 4-1/4 | 77.72 | CTC-2430383 | P-UB-10 | 2-1/2 X 5-1/2 | 86.50 |
| CTC-2410899 | P-UB-10 | 2-1/4 X 4 | 190.68 | CTC-2430384 | P-UB-10 | 2-1/2 X 5 | 111.22 |
| CTC-2410900 | P-UB-2 | 2-1/4 X 3-3/4 | 56.03 | CTC-2430386 | P-UB-10 | 2-1/2 X 5 | 96.66 |
| CTC-2410901 | P-UB-10 | 2-1/4 X 4 | 76.08 | CTC-2430387 | P-UB-10 | 2-1/2 X 5 | 285.77 |
| CTC-2410902 | P-UB-10 | 2-1/4 X 4-3/4 | 105.94 | CTC-2430388 | P-UB-10 | 2-1/2 X 6 | 97.78 |
| CTC-2410903 | P-UB-10 | 2-1/4 X 3-1/2 | 106.13 | CTC-2430389 | P-UB-10 | 2-1/2 X 3-3/4 | 209.19 |
| CTC-2414062K | P-UB-10 | 3 X 5 | 175.58 | CTC-2430391 | P-UB-10 | 2-1/2 X 4 | 92.38 |
| CTC-2414071K | P-UB-10 | 3 X 4-1/2 | 155.17 | CTC-2430393 | P-UB-10 | 2-1/2 X 4-1/4 | 254.92 |
| CTC-2417578 | P-UB-10 | 2-1/4 X 5 | 87.32 | CTC-2430395 | P-UB-10 | 2-1/2 X 5-1/2 | 290.40 |
| CTC-2417579 | P-UB-10 | 2-1/4 X 4-1/4 | 229.23 | CTC-2430397 | P-UB-10 | 2-1/2 X 4 | 155.57 |
| CTC-2417580 | P-UB-10 | 2-1/4 X 4-3/4 | 228.17 | CTC-2430398 | P-UB-10 | 2-1/2 X 4-3/4 | 245.39 |
| CTC-2417584 | P-UB-10 | 2-1/4 X 4-1/2 | 103.00 | CTC-2432276 | P-U-10 | 50 X 85 mm | 113.89 |
| CTC-2417585 | P-UB-10 | 2-1/4 X 4-1/2 | 101.09 | CTC-2435796 | P-UB-10 | 2-1/2 X 6-1/2 | 105.05 |
| CTC-2417619 | P-UB-10 | 145 X 210 mm | 610.44 | CTC-2435797 | P-UB-10 | 2-1/2 X 6-1/2 | 283.15 |
| CTC-2418916 | P-UB-10 | 2-1/4 X 3-1/2 | 255.57 | CTC-2435798 | P-UB-10 | 2-1/2 X 4-1/2 | 103.74 |
| CTC-2418917 | P-UB-10 | 2-1/4 X 4-1/2 | 240.33 | CTC-2435799 | P-UB-10 | 2-1/2 X 7-1/4 | 271.83 |
| CTC-2418919 | P-UB-10 | 2-1/4 X 4-1/2 | 247.38 | CTC-2435800 | P-UB-10 | 2-1/2 X 4-3/4 | 242.69 |
| CTC-2418920 | P-U-10 | 2-1/4 X 4-3/4 | 206.97 | CTC-2435801 | P-UB-10 | 2-1/2 X 5-1/2 | 286.05 |
| CTC-2418921 | P-UB-10 | 2-1/4 X 4 | 101.56 | CTC-2435802 | P-UB-10 | 2-1/2 X 5-1/4 | 297.62 |
| CTC-2418924 | P-UB-10 | 2-3/4 X 4-1/2 | 104.24 | CTC-2435803 | P-UB-10 | 2-1/2 X 6-1/2 | 302.17 |
| CTC-2418925 | P-UB-10 | 2-3/8 X 4 | 77.46 | CTC-2435804 | P-UB-10 | 2-1/2 X 4-3/4 | 238.28 |
| CTC-2419297 | P-UB-10 | 2-1/4 X 4 | 211.71 | CTC-2435805 | P-UB-10 | 2-1/2 X 4-1/2 | 100.86 |
| CTC-2422538 | P-UB-10 | 2-1/2 X 4-1/4 | 78.27 | CTC-2435806 | P-UB-10 | 2-1/2 X 4-1/2 | 246.09 |
| CTC-2422539 | P-UB-10 | 2-1/2 X 5-1/2 | 109.70 | CTC-2435808 | P-UB-10 | 2-3/4 X 4-1/2 | 199.79 |
| CTC-2422540 | P-UB-10 | 2-1/2 X 6 | 128.30 | CTC-2435809 | P-U-10 | 2-3/4 X 5 | 99.62 |
| CTC-2422541 | P-UB-10 | 2-1/2 X 6-1/2 | 373.25 | CTC-2435810 | P-UB-10 | 2-3/4 X 5-1/4 | 170.48 |
| CTC-2422542 | P-UB-10 | 2-1/2 X 5 | 110.85 | CTC-2435811 | P-UB-10 | 2-3/4 X 5 | 84.69 |
| CTC-2422543 | P-UB-10 | 2-1/1 X 4 | 82.64 | CTC-2435812 | P-UB-10 | 2-3/4 X 6-1/2 | 183.36 |
| CTC-2422544 | P-UB-10 | 2-1/2 X 7-1/4 | 111.21 | CTC-2435814 | P-UB-10 | 2-3/4 X 7-1/4 | 329.73 |
| CTC-2422545 | P-UB-10 | 2-1/2 X 6 | 325.26 | CTC-2435815 | P-UB-10 | 2-3/4 X 7 | 309.78 |
| CTC-2422546 | P-UB-10 | 2-1/2 X 4-1/4 | 85.23 | CTC-2435816 | P-UB-10 | 2-3/4 X 6-1/2 | 126.99 |
| CTC-2422547 | P-UB-10 | 2-1/2 X 4-1/4 | 78.49 | CTC-2435818 | P-UB-10 | 2-3/4 X 7 | 382.96 |
| CTC-2422548 | P-UB-10 | 2-1/2 X 4 | 79.07 | CTC-2435820 | P-UB-10 | 2-3/4 X 7-1/4 | 306.07 |
| CTC-2422549 | P-UB-10 | 2-1/2 X 6-1/2 | 121.39 | CTC-2436225 | P-UB-10 | 4-1/4 X 8-1/4 | 316.65 |
| CTC-2422550 | P-UB-10 | 2-1/2 X 6 | 148.65 | CTC-2440953 | P-UB-10 | 2-3/4 X 6 | 140.53 |
| CTC-2422551 | P-UB-10 | 2-1/2 X 3-3/4 | 75.00 | CTC-2440954 | P-UB-10 | 2-3/4 X 7-1/4 | 207.96 |
| CTC-2422552 | P-U-10 | 2-1/2 X 6 | 240.64 | CTC-2440955 | P-UB-10 | 2-3/4 X 6 | 92.75 |
| CTC-2422553 | P-U-10 | 2-1/2 X 5 | 112.50 | CTC-2440957 | P-UB-10 | 2-3/4 X 7-1/4 | 389.64 |
| CTC-2422554 | P-U-10 | 2-1/2 X 6-1/2 | 253.15 | CTC-2440958 | P-UB-10 | 2-3/4 X 5 | 163.34 |
| CTC-2422555 | P-U-10 | 2-1/2 X 6-1/2 | 252.50 | CTC-2440959 | P-UB-10 | 2-3/4 X 4-1/4 | 137.19 |
| CTC-2422556 | P-U-10 | 2-1/2 X 6 | 124.73 | CTC-2440960 | P-UB-10 | 2-3/4 X 5-1/2 | 247.24 |
| CTC-2422557 | P-U-10 | 2-1/2 X 6 | 118.76 | CTC-2440961 | P-UB-10 | 2-3/4 X 6 | 101.15 |

REPLACEMENT KITS FOR CATERPILLAR® EQUIPMENT

NOTE: CATERPILLAR kit numbers are used as a reference only. We do not imply that these kits are original REPLACEMENT KITS.

| Kit Number | Code (Pg. xiv) | Rod X Bore Size | List Price |
|-------------|----------------|-----------------|------------|
| CTC-2440962 | P-UB-10 | 2-3/4 X 6-1/2 | \$281.26 |
| CTC-2440964 | P-UB-10 | 2-3/4 X 4-1/4 | 109.34 |
| CTC-2440965 | P-UB-10 | 2-3/4 X 5-1/2 | 295.74 |
| CTC-2440966 | P-UB-10 | 2-3/4 X 5-1/2 | 315.18 |
| CTC-2440969 | P-UB-10 | 2-3/4 X 6 | 276.84 |
| CTC-2440971 | P-UB-10 | 2-3/4 X 4 | 242.54 |
| CTC-2440972 | P-UB-10 | 2-3/4 X 5 | 261.43 |
| CTC-2440973 | P-UB-10 | 2-3/4 X 6 | 306.06 |
| CTC-2440974 | P-UB-10 | 2-3/4 X 5-3/8 | 154.84 |
| CTC-2440975 | P-UB-10 | 3 X 6-1/2 | 317.11 |
| CTC-2440976 | P-UB-10 | 3 X 4 | 104.25 |
| CTC-2440978 | P-UB-10 | 3 X 5-1/2 | 373.37 |
| CTC-2440979 | P-UB-10 | 3 X 5-1/2 | 137.80 |
| CTC-2440980 | P-UB-10 | 3 X 6-1/2 | 210.12 |
| CTC-2442044 | P-UB-10 | 3 X 6-1/2 | 144.82 |
| CTC-2442046 | P-UB-10 | 3 X 7-1/4 | 207.86 |
| CTC-2442047 | P-UB-10 | 3 X 7-1/4 | 347.33 |
| CTC-2442049 | P-UB-10 | 3 X 6-1/2 | 144.18 |
| CTC-2442050 | P-UB-10 | 3 X 6-1/2 | 167.01 |
| CTC-2442053 | P-UB-10 | 3 X 6 | 443.43 |
| CTC-2442054 | P-UB-10 | 3 X 4-3/4 | 310.80 |
| CTC-2442055 | P-UB-10 | 3 X 6 | 165.55 |
| CTC-2442056 | P-UB-10 | 3 X 7-1/4 | 171.81 |
| CTC-2442059 | P-UB-10 | 3 X 7-1/4 | 319.75 |
| CTC-2442060 | P-UB-10 | 3-1/4 X 6 | 189.46 |
| CTC-2442061 | P-UB-10 | 3 X 6-1/4 | 217.50 |
| CTC-2442062 | P-UB-10 | 3 X 6 | 223.29 |
| CTC-2442064 | P-UB-10 | 3 X 6 | 96.59 |
| CTC-2442067 | P-UB-10 | 3 X 7-1/4 | 183.64 |
| CTC-2442069 | P-UB-10 | 3 X 8-1/4 | 442.44 |
| CTC-2442070 | P-UB-10 | 3 X 4-3/4 | 244.03 |
| CTC-2442071 | P-UB-10 | 3 X 4-3/4 | 325.05 |
| CTC-2442072 | P-UB-10 | 3 X 5-1/4 | 336.72 |
| CTC-2442073 | P-UB-10 | 3 X 5-1/4 | 142.30 |
| CTC-2442074 | P-UB-10 | 3 X 5 | 118.88 |
| CTC-2442075 | P-UB-10 | 3 X 4-3/4 | 303.70 |
| CTC-2442076 | P-UB-10 | 3 X 7-1/4 | 306.00 |
| CTC-2442077 | P-UB-10 | 3 X 5-1/2 | 301.25 |
| CTC-2442079 | P-UB-10 | 3-1/4 X 5-1/2 | 177.53 |
| CTC-2442080 | P-UB-10 | 3-1/4 X 5-1/2 | 171.60 |
| CTC-2445647 | P-UB-10 | 3-3/4 X 6 | 327.91 |
| CTC-2450579 | P-UB-10 | 3-1/4 X 5-1/2 | 221.56 |
| CTC-2450580 | P-UB-10 | 3-1/4 X 8-1/4 | 371.93 |
| CTC-2450581 | P-UB-10 | 3-1/4 X 7 | 334.95 |
| CTC-2450582 | P-UB-10 | 3-1/4 X 7 | 380.19 |
| CTC-2450584 | P-UB-10 | 3-1/4 X 8-1/4 | 230.96 |
| CTC-2450585 | P-UB-10 | 3-1/4 X 7 | 148.31 |
| CTC-2450586 | P-UB-10 | 3-1/4 X 7 | 344.07 |
| CTC-2450588 | P-UB-10 | 3-1/4 X 9-1/4 | 369.74 |
| CTC-2450589 | P-UB-10 | 3-1/4 X 9-1/4 | 315.49 |
| CTC-2450590 | P-UB-10 | 3-1/4 X 9-1/4 | 481.06 |

| Kit Number | Code (Pg. xiv) | Rod X Bore Size | List Price |
|--------------|----------------|-----------------------|------------|
| CTC-2450592 | P-UB-10 | 3-1/4 X 5-1/2 | \$200.14 |
| CTC-2450593 | P-UB-10 | 3-1/4 X 8-1/4 | 397.21 |
| CTC-2450594 | P-UB-10 | 3-1/4 X 7-3/4 | 247.98 |
| CTC-2450596 | P-UB-10 | 3-1/4 X 7-1/4 | 245.16 |
| CTC-2450597 | P-UB-10 | 3-1/4 X 6-1/2 | 306.36 |
| CTC-2450599 | P-UB-10 | 3-1/4 X 8-1/4 | 186.87 |
| CTC-2450600 | P-UB-10 | 3-1/4 X 9-1/4 | 342.38 |
| CTC-2450601 | P-UB-10 | 3-1/4 X 5-1/2 | 466.25 |
| CTC-2450602 | P-UB-10 | 3-1/4 X 9-1/4 | 485.39 |
| CTC-2450603 | P-UB-10 | 3-1/4 X 9-1/4 | 508.44 |
| CTC-2450605 | P-UB-10 | 3-1/4 X 8-1/4 | 303.58 |
| CTC-2450606 | P-UB-10 | 3-1/4 X 6-1/2 | 351.73 |
| CTC-2450607 | P-UB-10 | 3-1/4 X 9-1/4 | 372.57 |
| CTC-2450609 | P-UB-10 | 3-1/4 X 9-1/4 | 386.12 |
| CTC-2450611 | P-UB-10 | 3-1/4 X 6-1/2 | 341.44 |
| CTC-2450612 | P-UB-10 | 3-1/4 X 5-1/2 | 325.13 |
| CTC-2450613 | P-UB-10 | 3-1/4 X 7-1/4 | 311.25 |
| CTC-2450614 | P-UB-10 | 3-1/4 X 7-1/4 | 303.58 |
| CTC-2450617 | P-UB-10 | 3-1/4 X 6 | 249.20 |
| CTC-2450620 | P-UB-10 | 3-1/4 X 6-1/4 | 179.73 |
| CTC-2456815 | P-V-10 | 1-1/4 X 4 | 43.80 |
| CTC-2456816 | P-UB-10 | 65 mm X 4-3/4 | 218.34 |
| CTC-2456818 | P-U-10 | 4-1/2,6-3/4 X 6,7-3/4 | 911.71 |
| CTC-2456819 | I,P-UB-10 | 4-1/2,6-3/4 X 6,7-3/4 | 1,220.85 |
| CTC-2456821 | P-UB-10 | 8 X 12 | 1,586.20 |
| CTC-2456824 | P-UB-10 | 3-1/2 X 5-1/2 | 232.98 |
| CTC-2456825 | P-UB-10 | 3-1/2 X 5-1/2 | 353.38 |
| CTC-2456826 | P-U-10 | 3-1/2 X 8-1/4 | 385.53 |
| CTC-2456827 | P-UB-10 | 3-1/2 X 8-1/4 | 433.67 |
| CTC-2456828 | P-UB-10 | 3-1/2 X 6 | 375.28 |
| CTC-2456829 | P-UB-10 | 3-1/2 X 6 | 226.09 |
| CTC-2456830 | P-UB-10 | 3-1/2 X 8-1/4 | 306.37 |
| CTC-2456831 | P-UB-10 | 3-1/2 X 7-1/2 | 294.58 |
| CTC-2456832 | P-UB-10 | 3-1/2 X 8-1/2 | 463.06 |
| CTC-2456833 | P-UB-10 | 3-1/2 X 8-1/4 | 428.00 |
| CTC-2456834 | P-UB-10 | 3-1/2 X 7-1/2 | 207.87 |
| CTC-2456835 | P-UB-10 | 3-1/2 X 8-1/4 | 252.37 |
| CTC-2456836 | P-UB-10 | 3-1/2 X 7-1/2 | 342.52 |
| CTC-2456837 | P-UB-10 | 3-1/2 X 8-1/4 | 230.15 |
| CTC-2456839 | P-UB-10 | 3-1/2 X 7-1/4 | 238.83 |
| CTC-2456840 | P-UB-10 | 3-1/2 X 4-1/2 | 373.99 |
| CTC-2457484K | P-UB-10 | 3-1/4 X 170 mm | 300.11 |
| CTC-2457487K | P-UB-10 | 3-1/2 X 7-1/2 | 354.40 |
| CTC-2457491K | P-UB-10 | 3-1/4 X 6-1/4 | 288.11 |
| CTC-2459835 | P-UB-10 | 2-3/8, 3-3/4, 6 | 503.98 |
| CTC-2459838 | P-UB-10 | 3-3/4 X 6-1/2 | 430.39 |
| CTC-2459839 | P-UB-10 | 3-3/4 X 6-1/2 | 304.77 |
| CTC-2459840 | P-UB-10 | 3-3/4 X 7-3/4 | 458.21 |
| CTC-2459842 | P-UB-10 | 100 X 140 mm | 219.45 |
| CTC-2460635 | P-UB-10 | 3-1/2 X 10 | 621.85 |
| CTC-2460636 | P-UB-10 | 3-1/2 X 4-1/2 | 337.04 |

REPLACEMENT KITS FOR CATERPILLAR® EQUIPMENT

NOTE: CATERPILLAR kit numbers are used as a reference only. We do not imply that these kits are original REPLACEMENT KITS.

| Kit Number | Code (Pg. xiv) | Rod X Bore Size | List Price | Kit Number | Code (Pg. xiv) | Rod X Bore Size | List Price |
|-------------|----------------|-----------------|------------|--------------|----------------|-----------------|------------|
| CTC-2460637 | P-UB-10 | 3-1/2 X 10-1/2 | \$577.62 | CTC-2465937 | P-UB-10 | 85 X 130 mm | \$175.85 |
| CTC-2460638 | P-UB-10 | 3-1/2 X 8-1/4 | 167.64 | CTC-2465938 | P-UB-10 | 85 X 120 mm | 252.53 |
| CTC-2460639 | P-UB-10 | 3-1/2 X 7-1/4 | 374.92 | CTC-2465940 | P-UB-10 | 90 X 130 mm | 243.32 |
| CTC-2460641 | P-UB-10 | 4 X 6-1/2 | 670.48 | CTC-2469101K | P-UB-10 | 3 X 5 | 146.45 |
| CTC-2460643 | P-UB-10 | 4 X 6-1/2 | 605.42 | CTC-2469885K | P-UB-10 | 2-1/4 X 4-1/2 | 83.98 |
| CTC-2460644 | P-UB-10 | 4 X 10 | 525.44 | CTC-2470257 | P-UB-10 | 90 X 130 mm | 413.50 |
| CTC-2460645 | P-UB-10 | 4 X 10 | 603.19 | CTC-2478790 | P-UB-10 | 85 X 120 mm | 150.28 |
| CTC-2460648 | P-UB-10 | 4 X 9-1/4 | 432.15 | CTC-2478792 | P-UB-10 | 100 X 140 | 254.17 |
| CTC-2460649 | P-UB-10 | 4 X 10-1/2 | 652.34 | CTC-2478868 | P-UB-10 | 85 X 120 mm | 219.46 |
| CTC-2460652 | P-UB-10 | 4 X 9-1/4 | 322.11 | CTC-2478878 | P-UB-10 | 100 X 140 mm | 270.03 |
| CTC-2460653 | P-UB-10 | 4 X 7 | 427.44 | CTC-2478888 | P-UB-10 | 85 X 120 mm | 187.94 |
| CTC-2460655 | P-UB-10 | 4 X 7 | 470.27 | CTC-2478974 | P-UB-10 | 100 X 140 mm | 270.03 |
| CTC-2460657 | P-UB-10 | 4 X 7 | 460.90 | CTC-2478995 | P-UB-10 | 80 X 110 mm | 200.58 |
| CTC-2460658 | P-UB-10 | 4 X 6 | 466.04 | CTC-2478996 | P-UB-10 | 85 X 120 mm | 223.35 |
| CTC-2460659 | P-UB-10 | 4 X 8-1/2 | 359.07 | CTC-2478998 | P-UB-10 | 85 X 120 mm | 223.35 |
| CTC-2463425 | P-UB-4 | 4 X 4-1/2 | 288.94 | CTC-2479000 | P-UB-10 | 85 X 120 mm | 203.28 |
| CTC-2463426 | P-UB-10 | 4 X 4-1/2 | 320.89 | CTC-2479001 | P-UB-10 | 85 X 120 mm | 203.28 |
| CTC-2463427 | P-UB-10 | 4 X 8-1/2 | 236.88 | CTC-2479004 | P-UB-10 | 90 X 125 mm | 185.16 |
| CTC-2463430 | P-UB-10 | 4-1/4 X 6-1/2 | 517.89 | CTC-2479005 | P-UB-10 | 85 X 125 mm | 206.41 |
| CTC-2463431 | P-UB-10 | 4-1/4 X 7-3/4 | 523.40 | CTC-2481162 | P-UB-10 | 100 X 140 mm | 247.65 |
| CTC-2463432 | P-UB-1 | 4-1/4 | 366.44 | CTC-2481163 | P-UB-10 | 100 X 140 mm | 529.78 |
| CTC-2463434 | P-UB-10 | 5 X 7-3/4 | 392.78 | CTC-2481165 | P-UB-10 | 100 X 140 mm | 221.85 |
| CTC-2463437 | P-UB-10 | 5-1/2 X 10-1/2 | 892.94 | CTC-2481166 | P-UB-10 | 100 X 140 mm | 281.59 |
| CTC-2463439 | P-UB-10 | 5-3/4 X 7 | 329.12 | CTC-2481167 | P-UB-10 | 100 X 140 mm | 196.87 |
| CTC-2463440 | P-UB-10 | 5-3/4 X 8-1/4 | 852.42 | CTC-2481168 | P-UB-10 | 105 X 150 mm | 265.36 |
| CTC-2463442 | P-UB-10 | 6 X 8-1/4 | 951.18 | CTC-2481169 | P-UB-10 | 105 X 150 mm | 542.11 |
| CTC-2463443 | P-UB-10 | 6 X 7-1/2 | 619.23 | CTC-2481172 | P-UB-10 | 110 X 160 mm | 454.73 |
| CTC-2463445 | P-UB-10 | 6 X 7-1/2 | 818.16 | CTC-2481174 | P-UB-10 | 110 X 170 mm | 262.61 |
| CTC-2463446 | P-UB-10 | 7 X 11 | 728.37 | CTC-2481175 | P-UB-10 | 4-3/4 X 6-1/2 | 620.66 |
| CTC-2463448 | P-UB-10 | 7 X 10 | 946.40 | CTC-2481176 | P-UB-10 | 4-3/4 X 6 | 524.89 |
| CTC-2463450 | P-UB-10 | 7 X 11 | 1312.45 | CTC-2481178 | P-UB-10 | 4-3/4 X 7-1/4 | 601.24 |
| CTC-2465907 | P-UB-10 | 7 X 11-1/2 | 945.26 | CTC-2481181 | P-UB-10 | 4-3/4 X 7-1/4 | 627.90 |
| CTC-2465909 | P-UB-10 | 1-1/2 X 2-3/4 | 99.65 | CTC-2481182 | P-UB-10 | 4-3/4 X 7 | 586.22 |
| CTC-2465910 | P-UB-10 | 1-1/2 X 4 | 60.99 | CTC-2481183 | P-UB-10 | 4-3/4 X 6-1/2 | 560.75 |
| CTC-2465911 | P-UB-10 | 1-1/2 X 2-1/2 | 72.92 | CTC-2481185 | P-UB-10 | 4-3/4 X 7 | 642.53 |
| CTC-2465912 | P-UB-10 | 1-1/2 X 2-3/4 | 74.06 | CTC-2481186 | P-UB-10 | 140 X 200 mm | 705.21 |
| CTC-2465913 | P-UB-10 | 1-1/2 X 3 | 83.61 | CTC-2481187 | P-UB-10 | 140 X 200 mm | 654.37 |
| CTC-2465914 | P-UB-10 | 1-1/2 X 3-1/2 | 106.42 | CTC-2481188 | P-UB-10 | 6-1/2 X 10-1/2 | 753.55 |
| CTC-2465915 | P-UB-10 | 1-1/2 X 3-1/2 | 109.38 | CTC-2481190 | P-UB-10 | 6-1/2 X 8-1/2 | 708.21 |
| CTC-2465916 | P-UB-10 | 1-1/2 X 2-1/4 | 73.96 | CTC-2481192 | P-UB-10 | 6-1/2 X 8-1/2 | 783.55 |
| CTC-2465917 | P-UB-10 | 1-1/2 X 3-1/2 | 95.84 | CTC-2481193 | P-V-10 | 7-1/4 X 10-1/4 | 853.57 |
| CTC-2465919 | P-UB-10 | 1-1/2 X 3-1/4 | 177.15 | CTC-2481194 | P-UB-10 | 7-1/4 X 10 | 719.35 |
| CTC-2465922 | P-UB-10 | 1-1/2 X 3 | 62.40 | CTC-2481197 | P-UB-10 | 5-1/4 X 7-3/4 | 662.33 |
| CTC-2465923 | P-UB-10 | 1-1/2 X 3 | 156.41 | CTC-2481198 | P-UB-10 | 5-1/2 X 10-1/2 | 804.11 |
| CTC-2465925 | P-UB-10 | 1-7/8 X 3 | 159.15 | CTC-2495105 | P-UB-10 | 3 X 4-1/2 | 526.16 |
| CTC-2465926 | P-UB-10 | 1-7/8 X 3-1/4 | 60.62 | CTC-2502475 | P-UB-10 | 105 X 150 mm | 186.64 |
| CTC-2465927 | P-UB-10 | 1-7/8 X 3 | 150.30 | CTC-2502485 | P-UB-10 | 100 X 140 mm | 226.01 |
| CTC-2465928 | P-UB-10 | 2-1/8 X 4 | 233.10 | CTC-2502486 | P-UB-10 | 90 X 130 mm | 270.33 |
| CTC-2465929 | P-UB-10 | 2-1/8 X 4 | 59.30 | CTC-2502487 | P-UB-10 | 85 X 120 mm | 193.77 |
| CTC-2465931 | P-UB-10 | 2-1/8 X 4 | 205.10 | CTC-2519341 | P-UB-10 | 100 X 170 mm | 362.88 |
| CTC-2465933 | P-UB-10 | 2-1/8 X 4 | 142.15 | CTC-2519845 | P-U-10 | 40 X 70 mm | 96.61 |

REPLACEMENT KITS FOR CATERPILLAR® EQUIPMENT

NOTE: CATERPILLAR kit numbers are used as a reference only. We do not imply that these kits are original REPLACEMENT KITS.

| Kit Number | Code (Pg. xiv) | Rod X Bore Size | List Price |
|--------------|----------------|-----------------|------------|
| CTC-2521191 | P-UB-10 | 95 X 160 mm | \$267.88 |
| CTC-2522423 | P-UB-10 | 130 X 180 mm | 592.36 |
| CTC-2522425 | P-UB-10 | 130 X 190 mm | 633.70 |
| CTC-2522426 | P-UB-10 | 150 X 220 mm | 480.54 |
| CTC-2525105 | P-UB-10 | 3-1/4 X 5 | 286.07 |
| CTC-2525507 | I-U-14 | 50 X 100 mm | 218.41 |
| CTC-2526101 | P-UB-10 | 90 X 160 mm | 475.50 |
| CTC-2533933K | P-U-10 | 4 X 5-1/4 | 191.14 |
| CTC-2533964K | P-U-10 | 4 X 5-1/4 | 191.14 |
| CTC-2535204 | P-UB-10 | 2-3/8 X 4-1/4 | 71.40 |
| CTC-2549037K | P-UB-10 | 70 X 130 mm | 510.70 |
| CTC-2567093 | P-UB-10 | 100 X 170 mm | 550.08 |
| CTC-2578422 | P-UB-10 | 2-3/8 X 3-3/4 | 72.53 |
| CTC-2580313 | P-UB-10 | 85 X 130 mm | 199.72 |
| CTC-2580500 | P-UB-10 | 85 X 120 mm | 199.58 |
| CTC-2580501 | P-UB-10 | 85 X 120 mm | 210.50 |
| CTC-2580503 | P-UB-10 | 85 X 160 mm | 451.33 |
| CTC-2580504 | P-UB-10 | 85 X 160 mm | 310.75 |
| CTC-2583621 | P-U-10 | 35 X 75 mm | 62.57 |
| CTC-2590625 | P-UB-10 | 90 X 130 mm | 219.21 |
| CTC-2590626 | P-UB-10 | 90 X 130 mm | 192.43 |
| CTC-2590627 | P-UB-10 | 90 X 130 mm | 192.43 |
| CTC-2590628 | P-UB-10 | 90 X 130 mm | 219.21 |
| CTC-2590630 | P-UB-10 | 95 X 130 mm | 230.11 |
| CTC-2590631 | P-UB-10 | 100 X 140 mm | 211.41 |
| CTC-2590632 | P-UB-10 | 100 X 140 mm | 207.45 |
| CTC-2590633 | P-UB-10 | 100 X 140 mm | 211.41 |
| CTC-2590634 | P-UB-10 | 100 X 140 mm | 207.45 |
| CTC-2590635 | P-UB-10 | 100 X 140 mm | 211.41 |
| CTC-2590636 | P-UB-10 | 105 X 150 mm | 471.85 |
| CTC-2590637 | P-UB-10 | 105 X 150 mm | 471.85 |
| CTC-2590648 | P-UB-10 | 100 X 140 mm | 200.54 |
| CTC-2590650 | P-UB-10 | 105 X 150 mm | 460.60 |
| CTC-2590656 | P-UB-10 | 95 X 135 mm | 182.21 |
| CTC-2590665 | P-UB-10 | 95 X 135 mm | 234.56 |
| CTC-2590678 | P-UB-10 | 90 X 130 mm | 178.59 |
| CTC-2590695 | P-UB-10 | 85 X 120 mm | 223.35 |
| CTC-2590699 | P-UB-10 | 100 X 140 mm | 211.41 |
| CTC-2590706 | P-UB-10 | 85 X 120 mm | 203.28 |
| CTC-2590712 | P-UB-10 | 90 X 130 mm | 221.49 |
| CTC-2590719 | P-UB-10 | 90 X 130 mm | 194.75 |
| CTC-2590725 | P-UB-10 | 100 X 140 mm | 207.45 |
| CTC-2590729 | P-UB-10 | 105 X 150 mm | 471.85 |
| CTC-2590743 | P-UB-10 | 105 X 150 mm | 171.76 |
| CTC-2590751 | P-UB-10 | 110 X 160 mm | 315.76 |
| CTC-2590768 | P-UB-10 | 115 X 170 mm | 443.37 |
| CTC-2590774 | P-UB-10 | 95 X 135 mm | 227.74 |
| CTC-2590775 | P-UB-10 | 100 X 140 mm | 270.03 |
| CTC-2590776 | P-UB-10 | 90 X 130 mm | 417.26 |
| CTC-2590779 | P-UB-10 | 105 X 150 mm | 439.88 |
| CTC-2598723K | P-U-10 | 55 X 115 mm | 155.59 |

| Kit Number | Code (Pg. xiv) | Rod X Bore Size | List Price |
|--------------|----------------|-----------------|------------|
| CTC-2600273 | P-UB-10 | 2 X 85 mm | \$131.34 |
| CTC-2601518 | P-UB-10 | 2-3/4 X 5-1/2 | 168.74 |
| CTC-2605316 | P-UB-10 | 80 X 120 mm | 158.32 |
| CTC-2605317 | P-UB-10 | 80 X 110 mm | 293.05 |
| CTC-2605318 | P-UB-10 | 75 X 110 mm | 377.52 |
| CTC-2605319 | P-UB-10 | 75 X 140 mm | 434.99 |
| CTC-2605322 | P-UB-10 | 75 X 110 mm | 415.90 |
| CTC-2610582 | P-UB-10 | 3-1/2 X 9-1/4 | 265.64 |
| CTC-2611073 | P-UB-10 | 3-1/4 X 5-1/2 | 370.47 |
| CTC-2616885 | P-UB-10 | 2-3/8 X 4-1/2 | 112.59 |
| CTC-2617175 | P-UB-10 | 2 X 75 mm | 109.80 |
| CTC-2618001 | P-UB-10 | 2-3/4 X 6 | 191.43 |
| CTC-2618566 | P-UB-10 | 2 X 4 | 98.75 |
| CTC-2618625 | P-UB-10 | 2 X 4 | 64.19 |
| CTC-2620941 | I-U-10 | 30 X 50 mm | 34.55 |
| CTC-2620981 | P-UB-10 | 2 X 3 | 127.90 |
| CTC-2645751 | P-UB-10 | 110 X 170 mm | 460.69 |
| CTC-2666140 | I-U-10 | 35 X 70 mm | 56.16 |
| CTC-2667806 | P-UB-10 | 85 X 120 mm | 421.20 |
| CTC-2667812 | P-UB-10 | 95 X 130 mm | 500.59 |
| CTC-2667861 | P-UB-10 | 80 X 110 mm | 188.28 |
| CTC-2667874 | P-UB-10 | 85 X 120 mm | 169.30 |
| CTC-2667891 | P-UB-10 | 85 X 120 mm | 219.46 |
| CTC-2667892 | P-UB-10 | 85 X 120 mm | 187.94 |
| CTC-2668011 | P-UB-10 | 85 X 120 mm | 219.46 |
| CTC-2668012 | P-UB-10 | 100 X 140 mm | 270.03 |
| CTC-2668013 | P-UB-10 | 95 X 135 mm | 234.56 |
| CTC-2668014 | P-UB-10 | 90 X 130 mm | 561.53 |
| CTC-2668015 | P-UB-10 | 100 X 140 mm | 191.59 |
| CTC-2668016 | P-UB-10 | 105 X 150 mm | 460.60 |
| CTC-2668045 | P-UB-10 | 95 X 135 mm | 184.02 |
| CTC-2668057 | P-UB-10 | 85 X 120 mm | 187.94 |
| CTC-2692729K | P-UB-10 | 65 X 120 mm | 179.86 |
| CTC-2692730K | P-UB-10 | 60 X 110 mm | 145.33 |
| CTC-2696483K | P-UB-10 | 85 X 140 mm | 175.38 |
| CTC-2697190 | P-U-10 | 45 X 75 mm | 67.99 |
| CTC-2701537 | O-RING KIT | | 124.21 |
| CTC-2701539 | O-RING KIT | | 57.35 |
| CTC-2702668 | P-U-10 | 40 X 70 mm | 59.96 |
| CTC-2707285K | P-UB-10 | 70 X 140 mm | 224.49 |
| CTC-2707286K | P-UB-10 | 80 X 140 mm | 255.25 |
| CTC-2707288K | P-UB-10 | 45 X 75 mm | 181.28 |
| CTC-2711529 | I-U-10 | 40 X 3-1/2 | 34.20 |
| CTC-2712173 | P-U-10 | 45 X 75 mm | 97.83 |
| CTC-2713572K | P-UB-10 | 6 X 10-1/2 | 1,068.41 |
| CTC-2714484 | P-U-10 | 40 X 65 mm | 61.07 |
| CTC-2723225 | P-U-10 | 40 X 70 mm | 197.42 |
| CTC-2725225 | P-U-10 | 45 X 75 mm | 209.26 |
| CTC-2737025K | P-U-10 | 55 X 100 mm | 150.74 |
| CTC-2742460 | P-UB-10 | 110 X 160 mm | 362.78 |
| CTC-2742461 | P-UB-10 | 130 X 190 mm | 597.68 |

REPLACEMENT KITS FOR CATERPILLAR® EQUIPMENT

NOTE: CATERPILLAR kit numbers are used as a reference only. We do not imply that these kits are original REPLACEMENT KITS.

| Kit Number | Code (Pg. xiv) | Rod X Bore Size | List Price | Kit Number | Code (Pg. xiv) | Rod X Bore Size | List Price |
|--------------|----------------|-----------------|------------|---------------|----------------|-----------------|------------|
| CTC-2742462 | P-UB-10 | 110 X 170 mm | \$369.37 | CTC-2940510K | P-UB-10 | 95 X 150 mm | \$281.05 |
| CTC-2742511 | P-UB-10 | 85 X 120 mm | 161.43 | CTC-2949581 | P-UB-10 | 2-1/4 X 5 | 107.26 |
| CTC-2742515 | P-UB-10 | 100 X 140 mm | 232.31 | CTC-2949583 | P-UB-10 | 2-1/2 X 3-1/2 | 96.23 |
| CTC-2742526 | P-UB-10 | 90 X 130 mm | 171.26 | CTC-2950145 | I-UB-10 | 5-1/2 X 7-1/2 | 376.55 |
| CTC-2742649 | P-UB-10 | 95 X 130 mm | 629.68 | CTC-2950147 | P-U-3 | 7 X 8-1/2 | 378.44 |
| CTC-2748318 | P-UB-10 | 70 X 130 mm | 413.57 | CTC-2950148 | P-UB-3 | 7 X 8 | 899.12 |
| CTC-2763879K | P-U-10 | 45 X 75 mm | 100.03 | CTC-2950148AV | P-SP-3 | 7 X 8 | 819.06 |
| CTC-2764172 | I-U-10 | 50 X 70 mm | 64.44 | CTC-2959885 | P-UB-1 | 9 X 10-1/2 | 361.84 |
| CTC-2765210 | P-U-10 | 45 X 85 mm | 99.51 | CTC-2959886 | P-U-3 | 7 X 8-1/2 | 377.03 |
| CTC-2765284 | P-U-10 | 45 X 80 mm | 84.87 | CTC-2959887 | P-UB-10 | 3 X 5-1/4 | 160.67 |
| CTC-2765302 | P-U-10 | 50 X 80 mm | 155.78 | CTC-2959888 | P-UB-10 | 3-1/2 X 6-1/4 | 282.99 |
| CTC-2765739 | P-U-10 | 50 X 90 mm | 162.25 | CTC-2959890 | P-UB-10 | 3 X 6 | 308.81 |
| CTC-2765938 | P-U-10 | 45 X 80 mm | 142.10 | CTC-2959891 | P-UB-10 | 2-1/4 X 4-1/2 | 87.02 |
| CTC-2773395 | P-UB-14 | 55 X 95 mm | 132.95 | CTC-2959892 | P-UB-10 | 3-1/2 X 5-1/2 | 206.47 |
| CTC-2774140 | P-UB-14 | 50 X 85 mm | 112.12 | CTC-2959893 | P-UB-10 | 2-3/8 X 4-3/4 | 124.37 |
| CTC-2774167 | P-UB-14 | 45 X 75 mm | 191.76 | CTC-2959894 | P-UB-10 | 110 X 170 mm | 565.10 |
| CTC-2774178 | P-UB-14 | 50 X 85 mm | 252.47 | CTC-2959895 | P-UB-10 | 130 X 180 mm | 410.16 |
| CTC-2781970 | I-U-10 | 30 X 60 mm | 66.84 | CTC-2974896K | P-UB-10 | 50 X 100 mm | 115.44 |
| CTC-2782253 | P-U-10 | 1-1/2 X 2-1/2 | 107.23 | CTC-2976845 | P-UB-10 | 70 X 130 mm | 314.21 |
| CTC-2782257 | P-U-10 | 1-1/2 X 2-1/2 | 64.23 | CTC-2976847 | P-U-1 | 7 X 8 | 1312.35 |
| CTC-2782263 | P-U-1 | 1-3/4 X 3 | 84.02 | CTC-2976848 | P-U-3 | 7 X 8-1/2 | 390.42 |
| CTC-2788641 | P-U-10 | 45 X 80 mm | 100.77 | CTC-2976849 | P-U-1 | 9 X 10-1/2 | 537.95 |
| CTC-2790639 | P-U-10 | 50 X 85 mm | 118.56 | CTC-2976850 | P-UB-10 | 50 X 100 mm | 140.49 |
| CTC-2797940 | P-U-10 | 45 X 80 mm | 107.54 | CTC-2976851 | P-UB-10 | 65 X 115 mm | 263.60 |
| CTC-2799336K | P-U-10 | 75 X 125 mm | 198.90 | CTC-2976852 | P-UB-1 | 9 X 10-3/4 | 2221.90 |
| CTC-2807013 | I-U-10 | 42 X 85 mm | 172.07 | CTC-2987703K | P-UB-14 | 60 X 95 mm | 139.02 |
| CTC-2812321 | P-U-10 | 50 X 85 mm | 104.10 | CTC-2987704K | P-UB-14 | 55 X 85 mm | 137.81 |
| CTC-2812322 | P-U-10 | 45 X 75 mm | 95.84 | CTC-2990477 | P-UB-14 | 3 X 4-3/4 | 302.85 |
| CTC-2812323 | P-U-10 | 50 X 80 mm | 103.73 | CTC-2990480 | P-UB-14 | 2 X 4 | 209.07 |
| CTC-2835988 | P-UB-10 | 90 X 125 mm | 712.84 | CTC-2990481 | P-UB-14 | 3-1/2 X 5-1/2 | 364.81 |
| CTC-2836179 | P-UB-10 | 70 X 100 mm | 266.41 | CTC-2990515 | P-UB-14 | 3-3/4 X 7 | 293.65 |
| CTC-2839122 | P-U-10 | 35 X 65 mm | 58.75 | CTC-2990516 | P-UB-14 | 3 X 4 | 178.31 |
| CTC-2845360 | P-UB-10 | 2-1/4 X 3-3/4 | 125.41 | CTC-2990517 | P-UB-14 | 2 X 4 | 203.75 |
| CTC-2848016K | P-U-1 | 12-1/2 | 1627.74 | CTC-2990529 | P-UB-14 | 2-1/2 X 5-1/2 | 220.06 |
| CTC-2854031K | P-UB-10 | 3 X 4-1/2 | 167.69 | CTC-2990530 | P-UB-14 | 2-1/2 X 5-1/2 | 245.17 |
| CTC-2854032K | P-UB-10 | 3 X 5 | 196.32 | CTC-2991323K1 | P-UB-10 | 2-1/2 X 5 | 70.04 |
| CTC-2854034K | P-UB-10 | 3-1/2 X 5-1/2 | 219.06 | CTC-2R0037 | O-RINGS | | 21.32 |
| CTC-2857396 | P-UB-10 | 5 X 9-1/4 | 452.35 | CTC-2S3477 | P-V-10 | 3 X 9-1/4 | 242.94 |
| CTC-2857486 | P-UB-10 | 2-1/8 X 4 | 111.70 | CTC-2U0937 | I-U-3 | 3-1/2 X 4-1/2 | 234.75 |
| CTC-2860113 | P-UB-10 | 70 X 100 mm | 155.48 | CTC-2Y4534 | O-RINGS | | 46.10 |
| CTC-2860114 | P-UB-14 | 65 X 90 mm | 274.34 | CTC-2Y5154 | O-RINGS | | 245.16 |
| CTC-2860814K | P-UB-10 | 2 X 4 | 94.75 | CTC-2Y6216 | O-RINGS | | 12.19 |
| CTC-2861075 | P-UB-10 | 2-3/4 X 6 | 150.38 | CTC-3044561 | I-U-10 | 50 X 100 mm | 71.78 |
| CTC-2863591 | I-U-10 | 25 X 40 mm | 28.31 | CTC-3044900K | P-UB-14 | 75 X 110 mm | 175.57 |
| CTC-2871973K | P-UB-10 | 2-1/4 X 4 | 107.64 | CTC-3050795 | O-RING KIT | | 11.25 |
| CTC-2897716 | P-UB-10 | 80 X 120 mm | 512.31 | CTC-3056015 | P-U-10 | 25 X 50 mm | 56.46 |
| CTC-2897733 | P-UB-10 | 75 X 110 mm | 530.11 | CTC-3076273 | P-UB-10 | 2 X 3 | 51.07 |
| CTC-2897878K | P-UB-10 | 90 X 130 mm | 219.93 | CTC-3082465K | P-UB-10 | 5 X 11 | 756.03 |
| CTC-2929044K | P-UB-10 | 2 X 4 | 94.68 | CTC-3082467K | P-UB-10 | 5 X 10 | 568.04 |
| CTC-2937596 | P-UB-10 | 2 X 3 | 54.92 | CTC-3087824 | P-UB-10 | 105 X 150 mm | 295.61 |
| CTC-2940509K | P-UB-10 | 3 X 5 | 149.82 | CTC-3087830 | P-UB-10 | 110 X 160 mm | 541.36 |

REPLACEMENT KITS FOR CATERPILLAR® EQUIPMENT

NOTE: CATERPILLAR kit numbers are used as a reference only. We do not imply that these kits are original REPLACEMENT KITS.

| Kit Number | Code (Pg. xiv) | Rod X Bore Size | List Price |
|--------------|----------------|-----------------------|------------|
| CTC-3087841 | P-UB-10 | 65 X 130 mm | \$187.63 |
| CTC-3087847 | P-UB-10 | 50 X 120 mm | 217.37 |
| CTC-3087849 | P-UB-1 | 9 X 10-3/4 | 2,056.88 |
| CTC-3105478 | P-UB-10 | 1-3/4 X 3-1/2 | 216.57 |
| CTC-3110662 | P-UB-10 | 2-1/4 X 4-1/2 | 94.49 |
| CTC-3126388 | I-SP-10 | 5,7-1/2X 6-1/2, 8-1/4 | 658.82 |
| CTC-3133829 | P-UB-10 | 3-1/4 X 170 mm | 300.11 |
| CTC-3145850K | P-UB-14 | 65 X 110 mm | 149.37 |
| CTC-3151126 | P-UB-10 | 2-1/2 X 5 | 65.47 |
| CTC-3156338 | I-U-10 | 1 X 2-1/2 | 24.43 |
| CTC-3170942 | I-UB-10 | 5-1/2 X 9-1/2 | 531.03 |
| CTC-3171090K | P-UB-10 | 70 X 140 mm | 479.67 |
| CTC-3176058 | P-UB-10 | 55 X 95 mm | 152.33 |
| CTC-3189220 | P-UB-10 | 3-1/2 X 6-1/4 | 432.74 |
| CTC-3189225 | P-UB-10 | 4 X 7 | 332.42 |
| CTC-3192248 | P-UB-10 | 3-1/2 X 6-1/4 | 381.81 |
| CTC-3193556 | P-UB-10 | 3 X 4-1/2 | 296.69 |
| CTC-3193557 | P-UB-10 | 3 X 4-1/2 | 131.15 |
| CTC-3193558 | P-UB-10 | 3 X 4-3/4 | 165.28 |
| CTC-3193565 | P-UB-10 | 3 X 4-3/4 | 136.11 |
| CTC-3195051K | P-UB-10 | 55 X 100 mm | 151.39 |
| CTC-3198295 | P-UB-10 | 115 X 170 mm | 317.36 |
| CTC-3206346 | P-UB-10 | 65 X 100 mm | 209.81 |
| CTC-3233312 | P-UB-10 | 1-3/4 X 3 | 53.54 |
| CTC-3234199 | P-UB-10 | 2-3/4 X 5-1/2 | 252.58 |
| CTC-3240355 | I-U-10 | 40 X 70 mm | 83.52 |
| CTC-3240356 | I-U-10 | 50 X 80 mm | 112.03 |
| CTC-3240397 | I-U-10 | 70 X 130 mm | 156.49 |
| CTC-3240398 | I-U-10 | 65 X 120 mm | 149.36 |
| CTC-3240399 | I-U-10 | 60 X 110 mm | 135.91 |
| CTC-3240411 | I-U-10 | 45 X 70 mm | 85.74 |
| CTC-3247165 | P-UB-10 | 65 X 115 mm | 231.08 |
| CTC-3248346K | P-UB-14 | 2 X 4 | 151.68 |
| CTC-3249485 | P-UB-10 | 105 X 150 mm | 257.86 |
| CTC-3249539K | P-UB-14 | 2-1/2 X 5-1/2 | 225.01 |
| CTC-3249541K | P-UB-14 | 2-1/2 X 5-1/2 | 205.87 |
| CTC-3260496 | P-UB-10 | 75 X 100 mm | 273.29 |
| CTC-3260501 | P-UB-10 | 2 X 4-1/2 | 148.92 |
| CTC-3260502 | P-UB-10 | 2 X 3-1/2 | 190.97 |
| CTC-3260503 | P-UB-10 | 1-3/4 X 3-1/2 | 219.76 |
| CTC-3260504 | P-UB-10 | 1-3/4 X 3 | 94.41 |
| CTC-3265051 | I-U-10 | 75 X 100 mm | 91.35 |
| CTC-3265235 | I-U-14 | 50 X 100 mm | 218.41 |
| CTC-3265237 | I-U-10 | 1-3/4 X 63 mm | 91.40 |
| CTC-3265946 | I-U-10 | 50 X 100 mm | 95.52 |
| CTC-3276314 | I-U-10 | 1-1/4 X 2-1/2 | 24.43 |
| CTC-3281867 | I-U-14 | 50 X 100 mm | 218.41 |
| CTC-3284267K | P-UB-10 | 2-1/2 X 5-1/2 | 109.70 |
| CTC-3287730K | P-UB-14 | 75 X 110 mm | 157.49 |
| CTC-3319328 | P-UB-10 | 130 X 190 mm | 453.04 |
| CTC-3322569 | I-UB-10 | 2-1/2 X 3-1/2 | 269.01 |

| Kit Number | Code (Pg. xiv) | Rod X Bore Size | List Price |
|--------------|----------------|---------------------------|------------|
| CTC-3338675 | P-UB-10 | 110 X 170 mm | \$305.37 |
| CTC-3338750 | P-UB-10 | 110 X 160 mm | 236.68 |
| CTC-3349861K | P-UB-10 | 90 X 180 mm | 291.42 |
| CTC-3350007 | P-UB-10 | 80 X 120 mm | 199.46 |
| CTC-3353866 | P-UB-14 | 2-1/2 X 5-3/4 | 310.36 |
| CTC-3365288 | I-U-10 | 5-1/2,8-1/2 X 7-1/2,9-1/2 | 543.08 |
| CTC-3367341 | P-UB-1 | 12-1/2 | 3,652.48 |
| CTC-3367342 | P-U-1 | 13-1/2 | 3,296.50 |
| CTC-3367351 | P-UB-10 | 2-1/2 X 5-1/2 | 275.36 |
| CTC-3367352 | P-UB-10 | 2-1/2 X 5-1/2 | 218.50 |
| CTC-3367353 | P-UB-10 | 2-1/2 X 5-1/2 | 124.43 |
| CTC-3367358 | P-UB-10 | 3 X 5-1/2 | 286.90 |
| CTC-3367359 | P-UB-10 | 3 X 5-1/2 | 300.95 |
| CTC-3367368 | I-U-1 | 11 X 13-1/8 | 1717.31 |
| CTC-3367372 | I-U-10 | 5,7-1/2 X 6-1/2,8-1/4 | 595.79 |
| CTC-3385840 | P-UB-1 | 12-1/2 | 3,282.23 |
| CTC-3387038 | I-UB-10 | 2-1/2 X 3-1/2 | 45.99 |
| CTC-3387039 | I-UB-10 | 2-3/4 X 3-3/8 | 150.13 |
| CTC-3387156 | P-UB-10 | 1-1/2 X 3 | 55.77 |
| CTC-3388416K | P-UB-10 | 70 X 140 mm | 479.67 |
| CTC-3402686 | P-UB-10 | 2-1/2 X 5-1/2 | 154.02 |
| CTC-3406080 | P-U-1 | 11 X 12-1/2 | 472.47 |
| CTC-3408491 | P-U-1 | 11 X 13-1/8 | 1,796.88 |
| CTC-3408752K | P-UB-10 | 2-1/2 X 5 | 128.71 |
| CTC-3408871K | P-UB-10 | 2-1/2 X 4-3/4 | 124.29 |
| CTC-3417048 | P-UB-14 | 2 X 4 | 188.66 |
| CTC-3417059 | P-UB-14 | 3 X 4-3/4 | 257.60 |
| CTC-3418110 | P-UB-14 | 3-1/2 X 5-1/2 | 364.69 |
| CTC-3418115 | P-UB-14 | 2-1/2 X 5-3/4 | 410.08 |
| CTC-3446336 | P-UB-10 | 90 X 130 mm | 200.58 |
| CTC-3453897K | P-UB-10 | 100 X 140 mm | 150.75 |
| CTC-3460643 | P-U-10,12 | 2 X 3-1/2 | 60.25 |
| CTC-3460644 | P-U-10,12 | 3-1/4 X 5-1/2 | 134.24 |
| CTC-3461093K | P-UB-10 | 70 X 140 mm | 479.67 |
| CTC-3461094K | P-UB-10 | 70 X 140 mm | 479.67 |
| CTC-3465584 | P-U-10,12 | 1-1/2 X 2-1/2 | 44.98 |
| CTC-3465609 | P-U-10,12 | 1-3/4 X 3 | 53.57 |
| CTC-3469028 | P-UB-1 | 2 | 77.74 |
| CTC-3469030 | N-N-14 | 3-1/2 | 64.92 |
| CTC-3473272K | P-UB-10 | 3-1/2 X 7-1/4 | 213.61 |
| CTC-3476233 | I-U-11 | 1-1/4 X 2-1/2 | 34.23 |
| CTC-3494119 | P-UB-10 | 75 X 110 mm | 376.37 |
| CTC-3494120 | P-UB-10 | 80 X 120 mm | 349.97 |
| CTC-3494121 | P-UB-10 | 70 X 100 mm | 255.14 |
| CTC-3494122 | P-UB-10 | 80 X 120 mm | 238.30 |
| CTC-3500962 | P-UB-10 | 85 X 120 mm | 490.58 |
| CTC-3500963 | P-UB-10 | 90 X 125 mm | 199.17 |
| CTC-3500967 | P-UB-10 | 85 X 120 mm | 312.12 |
| CTC-3500970 | P-UB-10 | 100 X 140 mm | 257.32 |
| CTC-3500971 | P-UB-10 | 100 X 140 mm | 247.00 |
| CTC-3500973 | P-UB-10 | 100 X 140 mm | 264.52 |

REPLACEMENT KITS FOR CATERPILLAR® EQUIPMENT

NOTE: CATERPILLAR kit numbers are used as a reference only. We do not imply that these kits are original REPLACEMENT KITS.

| Kit Number | Code (Pg. xiv) | Rod X Bore Size | List Price | Kit Number | Code (Pg. xiv) | Rod X Bore Size | List Price |
|--------------|----------------|-----------------------------|------------|-------------|----------------|-----------------|------------|
| CTC-3500974 | P-UB-10 | 105 X 150 mm | \$258.28 | CTC-3764336 | P-UB-10 | 110 X 160 mm | \$247.39 |
| CTC-3500975 | P-UB-10 | 105 X 150 mm | 258.28 | CTC-3769011 | P-UB-10 | 2 X 3-1/2 | 89.39 |
| CTC-3500976 | P-UB-10 | 95 X 135 mm | 209.04 | CTC-3769015 | P-UB-10 | 3 X 5-1/4 | 195.82 |
| CTC-3507157 | I-SP-3,10 | 7-3/4, 11-1/2 | 939.12 | CTC-3769016 | P-UB-10 | 1-3/4 X 3-1/2 | 141.67 |
| CTC-3519360K | P-UB-10 | 100 X 140 mm | 150.75 | CTC-3769017 | P-UB-10 | 1-3/4 X 3 | 53.54 |
| CTC-3541312 | I-U-10 | 7-1/4, 11x9-1/2, 12-1/4 | 1,220.90 | CTC-3770612 | P-UB-1 | 2-1/2 | 162.47 |
| CTC-3573798 | I-U-10 | 7-1/4, 10-1/2x9-1/4, 11-1/2 | 1,036.19 | CTC-3770613 | N-N-14 | 4 | 74.87 |
| CTC-3597243 | P-UB-10 | 1-3/4 X 3 | 103.33 | CTC-3792735 | P-U-10 | 35 mm X 65 mm | 51.76 |
| CTC-3604580 | P-UB-10 | 80 X 110 mm | 181.83 | CTC-3792737 | P-U-10 | 30 mm X 60 mm | 61.56 |
| CTC-3604581 | P-UB-10 | 85 X 120 mm | 233.18 | CTC-3799497 | P-UB-10 | 130 X 190 mm | 342.94 |
| CTC-3604582 | P-UB-10 | 80 X 110 mm | 165.13 | CTC-3802685 | P-U-1 | 12-1/2 X 14-1/4 | 479.87 |
| CTC-3611078 | I-U-11 | 3/4 X 1-1/4 | 197.82 | CTC-3806119 | I-U-10 | 50 X 70 mm | 96.67 |
| CTC-3611131 | I-U-15 | 3/4 X 1-1/4 | 56.90 | CTC-3808347 | P-UB-10 | 85 X 140 mm | 255.98 |
| CTC-3615042K | P-UB-10 | 100 X 150 mm | 154.66 | CTC-3809470 | P-UB-10 | 2-1/4 X 4-1/4 | 77.13 |
| CTC-3626460 | P-UB-1 | 7 X 8-1/2 | 328.56 | CTC-3809482 | P-UB-10 | 2 X 4 | 99.65 |
| CTC-3629412 | P-UB-10 | 95 X 160 mm | 303.59 | CTC-3809484 | P-UB-10 | 1-1/2 X 3 | 56.90 |
| CTC-3631202 | P-UB-14 | 3-3/4 X 7 | 273.92 | CTC-3812732 | P-UB-10 | 2-3/8 X 4-3/4 | 137.95 |
| CTC-3634158 | P-UB-10 | 4-1/2 X 220 mm | 314.93 | CTC-3812337 | P-UB-10 | 3-1/4 X 9-1/4 | 214.52 |
| CTC-3651270 | P-UB-10 | 65 X 4-3/4 | 259.14 | CTC-3812504 | P-UB-10 | 4-1/2 X 9-1/4 | 511.02 |
| CTC-3651283 | I-UB-10 | 2-3/8 X 85 mm | 95.29 | CTC-3825775 | P-UB-10 | 70 X 110 mm | 239.52 |
| CTC-3651342 | I-UB-10 | 2-3/4 X 3-3/4 | 147.95 | CTC-3825802 | P-UB-10 | 60 X 95 mm | 167.19 |
| CTC-3651382 | I-U-10 | 3/4 X 1-1/2 | 48.95 | CTC-3825822 | P-UB-10 | 60 X 95 mm | 174.11 |
| CTC-3652880 | P-UB-10 | 3-3/4 X 7-3/4 | 255.00 | CTC-3825827 | P-UB-10 | 55 X 85 mm | 152.39 |
| CTC-3652932 | P-UB-10 | 2-1/2 X 4 | 163.93 | CTC-3825845 | P-UB-14 | 80 X 120 mm | 218.75 |
| CTC-3653007 | P-UB-10 | 2-1/2 X 5 | 160.56 | CTC-3825860 | P-UB-10 | 65 X 110 mm | 183.46 |
| CTC-3655556 | P-UB-10 | 2 X 3 | 46.85 | CTC-3842381 | I-UB-14 | 50 mm X 90 mm | 210.84 |
| CTC-3675261 | I-U-10 | 7/8 X 2 | 22.29 | CTC-3842448 | I-UB-10 | 40 mm X 70 mm | 212.13 |
| CTC-3693716 | P-UB-10 | 150 X 220 mm | 592.41 | CTC-3842452 | I-UB-10 | 45 mm X 70 mm | 204.10 |
| CTC-3701866 | P-UB-10 | 150 X 220 mm | 592.41 | CTC-3842454 | I-UB-10 | 40 mm X 70 mm | 185.88 |
| CTC-3701871 | P-UB-10 | 145 X 210 mm | 862.40 | CTC-3852908 | P-UB-14 | 80 X 110 mm | 227.39 |
| CTC-3701932 | P-UB-10 | 145 X 210 mm | 652.29 | CTC-3852942 | P-UB-14 | 85 X 120 mm | 207.86 |
| CTC-3701940 | P-UB-10 | 140 X 200 mm | 527.33 | CTC-3852946 | P-UB-14 | 80 X 110 mm | 179.26 |
| CTC-3704107 | I-U-15 | 60 X 100 mm | 482.83 | CTC-3858057 | P-UB-14 | 3 X 4 | 118.08 |
| CTC-3704117 | I-U-15 | 70 X 125 mm | 558.47 | CTC-3860714 | I-UB-10 | 36 mm X 65 mm | 130.19 |
| CTC-3707995 | P-UB-1 | 2 | 91.17 | CTC-3866092 | P-UB-10,12 | 2-1/2 X 5-1/2 | 217.41 |
| CTC-3712697 | P-U-10 | 35 X 50 mm | 56.51 | CTC-3904196 | P-UB-14 | 75 X 110 mm | 293.48 |
| CTC-3712718 | P-U-10 | 30 X 65 mm | 62.84 | CTC-3904227 | P-UB-14 | 70 X 100 mm | 306.68 |
| CTC-3712727 | P-U-10 | 45 X 60 mm | 56.88 | CTC-3912080 | P-UB-14 | 3-1/2 X 5-1/2 | 245.41 |
| CTC-3712737 | P-U-10 | 45 X 65 mm | 64.20 | CTC-3914638 | P-UB-10 | 70 X 110 mm | 177.50 |
| CTC-3712751 | P-U-10 | 35 X 75 mm | 62.21 | CTC-3924561 | I-UB-1 | 60 mm | 148.28 |
| CTC-3712756 | P-U-10 | 40 X 60 mm | 57.46 | CTC-3925193 | P-UB-10 | 65 X 115 mm | 210.47 |
| CTC-3712760 | P-U-10 | 35 X 70 mm | 58.57 | CTC-3925201 | P-UB-10 | 60 X 110 mm | 145.33 |
| CTC-3735748 | P-U-10 | 30 mm X 55 mm | 66.21 | CTC-3933604 | P-UB-10 | 2-1/2 X 5 | 120.81 |
| CTC-3747255 | P-UB-14 | 55 X 100 mm | 195.87 | CTC-3933606 | P-UB-10 | 2 X 4-1/4 | 68.81 |
| CTC-3750731 | P-UB-1 | 55 mm | 154.54 | CTC-3933607 | P-UB-10 | 3 X 6-1/2 | 159.43 |
| CTC-3750740 | P-UB-1 | 55 mm | 108.07 | CTC-3933608 | P-UB-10 | 1-1/2 X 3-1/2 | 89.09 |
| CTC-3751733 | P-UB-10 | 115 X 170 mm | 345.76 | CTC-3937887 | P-UB-14 | 75 X 110 mm | 293.48 |
| CTC-3764331 | P-UB-10 | 105 X 150 mm | 215.87 | CTC-3937948 | P-UB-10 | 80 X 120 mm | 350.21 |
| CTC-3764332 | P-UB-10 | 105 X 150 mm | 215.87 | CTC-3937949 | P-UB-14 | 80 X 120 mm | 305.52 |
| CTC-3764333 | P-UB-10 | 115 X 170 mm | 317.36 | CTC-3944846 | P-UB-14 | 50 X 85 mm | 223.27 |
| CTC-3764334 | P-UB-10 | 105 X 150 mm | 257.86 | CTC-3944848 | P-UB-14 | 50 X 85 mm | 133.15 |

REPLACEMENT KITS FOR CATERPILLAR® EQUIPMENT

NOTE: CATERPILLAR kit numbers are used as a reference only. We do not imply that these kits are original REPLACEMENT KITS.

| Kit Number | Code (Pg. xiv) | Rod X Bore Size | List Price |
|-------------|----------------|-----------------|------------|
| CTC-3944852 | P-UB-14 | 45 X 75 mm | \$126.30 |
| CTC-3949688 | P-UB-10 | 75 X 130 mm | 226.86 |
| CTC-3951270 | P-UB-10 | 35 mm X 65 mm | 87.08 |
| CTC-3951275 | P-U-10 | 30 mm X 50 mm | 95.87 |
| CTC-3975694 | I-UB-10 | 2-1/2 X 3-1/2 | 48.61 |
| CTC-3975704 | P-UB-10 | 2-3/8 X 4-3/4 | 142.50 |
| CTC-3979294 | P-UB-10 | 85 X 120 mm | 200.51 |
| CTC-3979295 | P-UB-10 | 95 X 135 mm | 336.69 |
| CTC-3979296 | P-UB-10 | 95 X 160 mm | 303.59 |
| CTC-3981893 | P-UB-10 | 100 X 140 mm | 262.81 |
| CTC-3E3291 | P-UB-10 | 1-3/4 X 2-3/4 | 48.98 |
| CTC-3E3292 | P-UB-10 | 4 X 6 | 300.19 |
| CTC-3E3293 | P-UB-10 | 3 X 5-1/4 | 243.78 |
| CTC-3E3294 | P-UB-10 | 2 X 5 | 76.97 |
| CTC-3E3297 | P-UB-10 | 1-7/8 X 3-1/4 | 135.19 |
| CTC-3E3298 | P-UB-10 | 2-1/8 X 4 | 58.65 |
| CTC-3E3299 | I-UB-10 | 2-1/2 X 3-1/2 | 183.90 |
| CTC-3E3300 | P-UB-10 | 2-1/2 X 4-1/4 | 147.40 |
| CTC-3E3301 | P-UB-10 | 4-3/4 X 7 | 281.17 |
| CTC-3E3302 | P-UB-10 | 2-1/2 X 5 | 90.98 |
| CTC-3E3303 | P-UB-10 | 4 X 6-1/2 | 360.47 |
| CTC-3E3313 | P-UB-10 | 3 X 5-1/4 | 96.07 |
| CTC-3E3314 | I-UB-10 | 2-3/4 X 3-3/4 | 235.09 |
| CTC-3E8877 | P-UB-10 | 2-3/8 X 4-1/2 | 214.74 |
| CTC-3E8878 | P-UB-10 | 2-3/4 X 5 | 249.78 |
| CTC-3E8880 | P-UB-10 | 5-3/4 X 8-1/4 | 830.75 |
| CTC-3E8881 | P-UB-10 | 4-3/4 X 7-1/4 | 396.35 |
| CTC-3E8883 | P-UB-10 | 3 X 4-3/4 | 213.14 |
| CTC-3E8884 | P-UB-10 | 2 X 4 | 138.61 |
| CTC-3E8887 | P-UB-10 | 5 X 7-3/4 | 471.20 |
| CTC-3E8888 | P-UB-10 | 3-3/4 X 6 | 432.55 |
| CTC-3E8889 | P-UB-10 | 3-1/2 X 6 | 273.13 |
| CTC-3G0688K | I-SP-1 | 7 X 8-1/2 | 312.00 |
| CTC-3G8700 | O-rings | | 9.93 |
| CTC-3G9892K | P-UB-10 | 2 X 4 | 59.01 |
| CTC-4157472 | P-UB-14 | 70 X 110 mm | 157.59 |
| CTC-4158072 | P-UB-10 | 2-1/4 X 4-1/4 | 78.63 |
| CTC-4158260 | I-UB-10 | 2-3/8 X 85 mm | 79.76 |
| CTC-4160066 | P-UB-10 | 3-1/2 X 5-1/2 | 219.06 |
| CTC-4160092 | P-UB-10 | 4-1/2 X 150 mm | 226.17 |
| CTC-4162092 | P-UB-10 | 3 X 4-3/4 | 176.00 |
| CTC-4173698 | P-UB-10 | 50 X 110 mm | 127.05 |
| CTC-4175006 | P-UB-14 | 2 X 4 | 198.83 |
| CTC-4175758 | P-U-14 | 2-1/2 X 5-3/4 | 231.82 |
| CTC-4176026 | I-U-10 | 2-1/2 X 5 | 95.88 |
| CTC-4179889 | I-U-4 | 1-1/8 X 2 | 126.63 |
| CTC-4185330 | I-UB-1 | 80 mm | 263.66 |
| CTC-4186276 | P-UB-14 | 3 X 4-3/4 | 189.42 |
| CTC-4195876 | P-UB-10 | 130 mm X 180 mm | 252.90 |
| CTC-4206848 | P-U-1 | 7 X 8 | 671.05 |
| CTC-4208531 | P-UB-10 | 2-1/2 X 3-1/2 | 116.46 |

| Kit Number | Code (Pg. xiv) | Rod X Bore Size | List Price |
|-------------|----------------|---------------------------|------------|
| CTC-4215355 | P-UB-10 | 70 X 110 mm | \$239.52 |
| CTC-4219022 | I-U-10 | 5-1/2,8-1/2x7-1/2,9-1/2 | 291.69 |
| CTC-4220025 | I-U-10 | 7-1/4,10-1/2x9-1/4,11-1/2 | 1,030.29 |
| CTC-4220706 | P-UB-10 | 60 X 95 mm | 174.11 |
| CTC-4228805 | P-UB-10 | 35 X 70 mm | 82.44 |
| CTC-4252108 | P-UB-10 | 2-1/4 X 4 | 123.61 |
| CTC-4286802 | P-UB-10 | 70 X 110 mm | 183.38 |
| CTC-4288641 | P-U-10 | 45 X 75 mm | 72.97 |
| CTC-4288651 | P-U-10 | 45 X 75 mm | 78.17 |
| CTC-4288674 | P-U-10 | 40 X 70 mm | 61.45 |
| CTC-4306989 | N-N-14 | 3-1/2 | 172.47 |
| CTC-4307589 | P-U-10 | 55 X 100 mm | 125.73 |
| CTC-4308744 | P-U-10 | 50 X 80 mm | 116.80 |
| CTC-4308918 | P-U-10 | 55 X 90 mm | 166.46 |
| CTC-4351466 | P-UB-1 | 1-1/2 | 95.36 |
| CTC-4388593 | P-UB-10 | 3 X 5-1/4 | 194.09 |
| CTC-4389145 | P-UB-10 | 2-1/2 X 3-1/2 | 211.07 |
| CTC-4393847 | P-U-10 | 75 X 125 mm | 194.53 |
| CTC-4394330 | P-U-10 | 4 X 5-1/4 | 186.94 |
| CTC-4395349 | P-U-10 | 55 X 125 mm | 200.12 |
| CTC-4398573 | P-U-10 | 45 X 75 mm | 64.13 |
| CTC-4401767 | I-U-10 | 90 X 150 mm | 178.82 |
| CTC-4452682 | P-UB-10 | 1-1/4 X 2-1/2 | 52.51 |
| CTC-4481975 | P-UB-10 | 35 mm X 80 mm | 99.82 |
| CTC-4483453 | P-UB-10 | 50 mm X 75 mm | 98.78 |
| CTC-4483564 | P-UB-10 | 55 mm X 90 mm | 109.26 |
| CTC-4488804 | P-UB-10 | 1-1/2 X 3 | 56.90 |
| CTC-4494753 | I-U-10 | 5,7-1/2 X 6-1/2,8-1/4 | 595.79 |
| CTC-4496284 | P-UB-10 | 55 mm X 100 mm | 119.11 |
| CTC-4496299 | P-UB-10 | 50 mm X 85 mm | 101.63 |
| CTC-4515832 | P-UB-1 | 9 | 379.43 |
| CTC-4523459 | P-UB-1 | 40 mm | 59.91 |
| CTC-4523460 | N-N-10 | 70 mm | 44.26 |
| CTC-4527462 | P-UB-10 | 2-3/4 X 6-1/4 | 192.92 |
| CTC-4536525 | I-U-10 | 1 X 1-3/4 | 26.28 |
| CTC-4555441 | P-U-10 | 1-1/4 X 2 | 37.25 |
| CTC-4560197 | P-UB-10 | 85 X 120 mm | 185.55 |
| CTC-4560198 | P-UB-10 | 90 X 125 mm | 199.17 |
| CTC-4560199 | P-UB-10 | 95 X 135 mm | 233.83 |
| CTC-4560200 | P-UB-10 | 100 X 140 mm | 264.52 |
| CTC-4560202 | P-UB-10 | 100 X 140 mm | 257.32 |
| CTC-4560203 | P-UB-10 | 105 X 150 mm | 258.28 |
| CTC-4560204 | P-UB-10 | 100 X 140 mm | 247.00 |
| CTC-4560207 | P-UB-10 | 85 X 120 mm | 180.45 |
| CTC-4560208 | P-UB-10 | 90 X 130 mm | 301.65 |
| CTC-4560210 | P-UB-10 | 90 X 130 mm | 215.30 |
| CTC-4560584 | I-U-10 | 1 X 2-1/2 | 85.54 |
| CTC-4567244 | P-UB-10 | 70 X 110 mm | 362.70 |
| CTC-4572837 | P-UB-10 | 50 X 90 mm | 113.89 |
| CTC-4576093 | P-UB-10 | 3-1/4 X 170 mm | 208.36 |
| CTC-4661538 | P-UB-10 | 100 X 140 mm | 250.83 |

REPLACEMENT KITS FOR CATERPILLAR® EQUIPMENT

NOTE: CATERPILLAR kit numbers are used as a reference only. We do not imply that these kits are original REPLACEMENT KITS.

| Kit Number | Code (Pg. xiv) | Rod X Bore Size | List Price |
|-------------|---------------------|-------------------|------------|
| CTC-4671783 | I-UB-10 | 40 mm X 65 mm | \$254.80 |
| CTC-4690676 | P-U-10 | 45 x 80 mm | 216.68 |
| CTC-4690682 | P-U-10 | 45 x 80 mm | 213.25 |
| CTC-4690689 | P-U-10 | 40 x 70 mm | 160.92 |
| CTC-4690697 | P-U-10 | 50 mm X 85 mm | 246.88 |
| CTC-4690704 | P-U-10 | 50 mm X 80 mm | 220.56 |
| CTC-4690711 | P-U-10 | 45 mm X 75 mm | 224.92 |
| CTC-4690717 | P-U-10 | 45 mm X 80 mm | 201.49 |
| CTC-4690723 | P-U-10 | 35 mm X 65 mm | 160.67 |
| CTC-4690729 | P-U-10 | 50 mm X 85 mm | 231.29 |
| CTC-4700323 | P-UB-10,12 | 2-1/4 X 5 | 137.90 |
| CTC-4710161 | P-UB-10 | 2 X 3 | 120.68 |
| CTC-4710172 | P-UB-10 | 50 X 85 mm | 131.72 |
| CTC-4710276 | P-UB-10 | 55 X 95 | 143.58 |
| CTC-4710336 | P-UB-10 | 95 X 130 | 186.27 |
| CTC-4778370 | P-UB-10 | 100 X 190 | 279.75 |
| CTC-4787051 | P-U-10 | 50 mm X 85 mm | 229.80 |
| CTC-4828678 | P-U-10 | 50 mm X 85 mm | 131.99 |
| CTC-4900659 | I-U-12 | 2,3 X 2-1/2,3-1/2 | 264.49 |
| CTC-4C4782 | NITRILE O-RING KIT | | 359.54 |
| CTC-4C4784 | D-RING KIT | | 212.78 |
| CTC-4C4788 | O-RING KIT | | 124.21 |
| CTC-4C8253 | SILICONE O-RING KIT | | 573.21 |
| CTC-4I3861 | P-UB-10 | 70 X 150 mm | 320.55 |
| CTC-4T9977K | P-UB-10 | 3-1/4 X 8-1/4 | 213.65 |
| CTC-4Z6110K | P-UB-10 | 3-1/2 X 8-1/4 | 240.51 |
| CTC-4Z6364K | P-UB-10 | 3 X 6 | 171.62 |
| CTC-5016692 | P-U-10 | 40 X 70 mm | 77.21 |
| CTC-5016695 | P-U-10 | 65 X 120 mm | 140.37 |
| CTC-5016697 | P-U-10 | 90 X 150 mm | 183.87 |
| CTC-5016702 | P-U-10 | 50 X 80 mm | 104.94 |
| CTC-5016704 | P-U-10 | 70 X 130 mm | 147.14 |
| CTC-5016706 | P-U-10 | 60 X 110 mm | 127.42 |
| CTC-5037834 | P-UB-10 | 60 mm X 90 mm | 157.25 |
| CTC-5078289 | P-U-10 | 40 mm X 80 mm | 186.70 |
| CTC-5185133 | P-UB-10 | 105 X 150 | 236.43 |
| CTC-5185140 | P-UB-10 | 130 mm X 190 mm | 552.18 |
| CTC-5186058 | P-UB-10 | 50 X 80 mm | 100.96 |
| CTC-518892 | P-UB-10 | 140 X 200 mm | 525.53 |
| CTC-5199260 | P-U-10 | 30 mm X 55 mm | 330.77 |
| CTC-5456415 | P-UB-10 | 85 mm X 120 mm | 248.97 |
| CTC-5542902 | P-UB-14 | 95 mm X 160 mm | 390.21 |
| CTC-5551814 | P-UB-10 | 105 X 150 | 236.43 |
| CTC-5635454 | P-U-10 | 25 mm X 50 mm | 75.47 |
| CTC-5708323 | I-U-10 | 40 mm X 70 mm | 191.65 |
| CTC-5749252 | I-U-10 | 30 mm X 60 mm | 350.16 |
| CTC-5764154 | I-U-10 | 30 mm X 55 mm | 115.57 |
| CTC-5764815 | I-U-10 | 30 mm X 50 mm | 128.96 |
| CTC-5792777 | I-U-10 | 30 mm X 60 mm | 287.48 |
| CTC-5792831 | I-U-10 | 35 mm X 65 mm | 350.22 |
| CTC-5799491 | P-U-10 | 30 mm X 60 mm | 92.41 |

| Kit Number | Code (Pg. xiv) | Rod X Bore Size | List Price |
|------------|----------------|-----------------|------------|
| CTC-5P8433 | D-RING KIT | | \$212.78 |
| CTC-5R4759 | P-UB-10 | 1-3/4 X 3 | 107.87 |
| CTC-5R4760 | P-UB-10 | 1-1/2 X 3-1/2 | 66.70 |
| CTC-5R4761 | P-UB-10 | 2 X 3-1/4 | 107.83 |
| CTC-5R4762 | P-UB-10 | 2 X 3-1/4 | 74.70 |
| CTC-5R4764 | P-UB-10 | 1-1/2 X 2-1/2 | 42.09 |
| CTC-5R4765 | P-UB-10 | 1-1/2 X 2-1/2 | 42.09 |
| CTC-5R4766 | O-RINGS | | 10.37 |
| CTC-5U5412 | I-U-5 | 3-1/2 X 5-1/2 | 93.86 |
| CTC-5U5413 | I-U-5 | 3-1/2 X 4-1/2 | 371.46 |
| CTC-5U6157 | I-U-1 | 2 | 13.52 |
| CTC-6C6156 | P-UB-10 | 100 X 170 mm | 499.90 |
| CTC-6I6858 | P-UB-10 | 70 X 100 mm | 376.11 |
| CTC-6Q2203 | I,P-U-15 | 1-1/2 | 78.77 |
| CTC-6U4788 | I-U-5 | 3-1/2 X 5-1/2 | 341.42 |
| CTC-7S2720 | I-V-10 | 3-1/4 X 9-1/4 | 344.53 |
| CTC-7S2721 | N-V-10 | 3-1/4 X 9-1/4 | 223.01 |
| CTC-7S2727 | P-V-10 | 2-1/4 X 5 | 140.73 |
| CTC-7U2662 | I-U-5 | 3-1/2 X 4-1/2 | 436.65 |
| CTC-7U6672 | I-U-4 | 3-1/2 X 4 | 199.43 |
| CTC-7U7625 | I-UB-10 | 1-3/4 X 3-1/2 | 190.08 |
| CTC-7U8058 | I-U-10 | 2-3/4 X 4-1/2 | 378.21 |
| CTC-7U8423 | I-UB-10 | 2 X 4 | 208.50 |
| CTC-7U9275 | P-UB-4 | 4 X 4-1/2 | 432.84 |
| CTC-7X2486 | P-UB-10 | 3-1/4 X 8-1/4 | 166.52 |
| CTC-7X2487 | P-UB-10 | 2 X 4 | 43.20 |
| CTC-7X2654 | PI-UB-10 | 2-1/2 X 4 | 163.25 |
| CTC-7X2657 | P-UB-10 | 2-1/2 X 6-1/2 | 182.57 |
| CTC-7X2680 | P-UB-10 | 2-3/4 X 6 | 187.93 |
| CTC-7X2681 | P-UB-10 | 2-3/4 X 7-1/4 | 155.82 |
| CTC-7X2682 | P-UB-10 | 2-3/4 X 5 | 203.55 |
| CTC-7X2683 | P-UB-14 | 2-3/4 X 4-1/2 | 247.12 |
| CTC-7X2684 | P-UB-10 | 2-3/4 X 5-1/2 | 210.04 |
| CTC-7X2685 | P-UB-14 | 2-3/4 X 4-1/2 | 225.26 |
| CTC-7X2686 | P-UB-14 | 2-3/4 X 6-1/2 | 165.59 |
| CTC-7X2687 | P-UB-10 | 2-3/4 X 7-1/4 | 282.70 |
| CTC-7X2688 | P-UB-14 | 2-3/4 X 6-1/4 | 202.95 |
| CTC-7X2689 | P-UB-10 | 2-3/4 X 6-1/2 | 220.86 |
| CTC-7X2690 | P-UB-10 | 2-3/4 X 5-1/2 | 136.54 |
| CTC-7X2691 | P-UB-14 | 2-3/4 X 7 | 201.05 |
| CTC-7X2692 | P-UB-10 | 2-1/2 X 6 | 225.32 |
| CTC-7X2693 | P-UB-10 | 3 X 6-1/2 | 247.55 |
| CTC-7X2694 | P-UB-10 | 3 X 6-1/2 | 217.89 |
| CTC-7X2695 | P-UB-10 | 3 X 8-1/4 | 441.94 |
| CTC-7X2696 | P-UB-10 | 3 X 6-1/2 | 119.81 |
| CTC-7X2697 | P-UB-10 | 3 X 6-1/4 | 216.97 |
| CTC-7X2698 | P-UB-10 | 3 X 6 | 255.56 |
| CTC-7X2699 | P-UB-14 | 3 X 7-1/4 | 282.79 |
| CTC-7X2700 | P-V-10 | 2 X 4-1/2 | 97.34 |
| CTC-7X2701 | P-UB-14 | 3 X 6-1/4 | 154.56 |
| CTC-7X2702 | P-UB-10 | 3 X 7-1/4 | 350.99 |

REPLACEMENT KITS FOR CATERPILLAR® EQUIPMENT

NOTE: CATERPILLAR kit numbers are used as a reference only. We do not imply that these kits are original REPLACEMENT KITS.

| Kit Number | Code (Pg. xiv) | Rod X Bore Size | List Price |
|-------------|----------------|-----------------|------------|
| CTC-7X2703 | P-UB-14 | 3-1/4 X 8-1/4 | \$323.31 |
| CTC-7X2704 | P-UB-10 | 3-1/4 X 7 | 193.97 |
| CTC-7X2705 | P-UB-10 | 3-1/4 X 5-1/2 | 353.88 |
| CTC-7X2706 | P-UB-10 | 3-1/4 X 7-3/4 | 351.06 |
| CTC-7X2707 | P-UB-10 | 3-1/4 X 9-1/4 | 459.66 |
| CTC-7X2707A | P-UB-10 | 3-1/4 X 9-1/4 | 381.71 |
| CTC-7X2708 | P-UB-10 | 3-1/4 X 9-1/4 | 279.54 |
| CTC-7X2709 | P-UB-14 | 3-1/4 X 5-1/2 | 221.56 |
| CTC-7X2710 | P-UB-10 | 3-1/4 X 7 | 278.70 |
| CTC-7X2711 | P-UB-10 | 3-1/4 X 6-1/2 | 287.59 |
| CTC-7X2712 | P-UB-10 | 3-1/4 X 5-1/2 | 127.07 |
| CTC-7X2713 | P-UB-14 | 3-1/4 X 6-1/2 | 183.31 |
| CTC-7X2714 | P-UB-14 | 3-1/4 X 5-1/2 | 221.56 |
| CTC-7X2715 | P-UB-10 | 3-1/4 X 8-1/4 | 344.14 |
| CTC-7X2716 | P-UB-10 | 3-1/4 X 9-1/4 | 218.92 |
| CTC-7X2717 | P-UB-14 | 3-1/4 X 8-1/4 | 280.11 |
| CTC-7X2718 | P-UB-10 | 3-1/4 X 7-1/4 | 265.45 |
| CTC-7X2719 | P-UB-10 | 3-1/2 X 8-1/2 | 257.62 |
| CTC-7X2720 | P-U-10 | 3-1/2 X 8-1/4 | 247.80 |
| CTC-7X2721 | P-UB-10 | 3-1/2 X 8-1/4 | 360.04 |
| CTC-7X2722 | P-UB-10 | 3-1/2 X 7-1/2 | 254.78 |
| CTC-7X2723 | P-UB-10 | 3-1/2 X 10-1/2 | 344.50 |
| CTC-7X2724 | P-UB-14 | 3-1/2 X 8-1/4 | 278.68 |
| CTC-7X2725 | P-UB-10 | 3-1/2 X 8-1/4 | 425.68 |
| CTC-7X2725X | P-UB-10 | 3-1/2 X 8-1/4 | 157.27 |
| CTC-7X2726 | P-UB-14 | 3-1/2 X 5-1/2 | 219.20 |
| CTC-7X2727 | P-UB-14 | 3-1/2 X 8-1/4 | 381.39 |
| CTC-7X2728 | P-UB-10 | 3-1/2 X 8-1/4 | 239.96 |
| CTC-7X2729 | P-UB-10 | 2-1/4 X 5 | 222.67 |
| CTC-7X2730 | P-UB-14 | 3-1/2 X 7-1/2 | 219.48 |
| CTC-7X2731 | P-UB-10 | 3-3/4 X 6-1/2 | 355.31 |
| CTC-7X2734 | P-UB-10 | 4 X 8-1/2 | 313.42 |
| CTC-7X2736 | P-UB-10 | 1-1/2 X 2-3/4 | 141.51 |
| CTC-7X2737 | P-UB-10 | 1-1/2 X 3 | 148.96 |
| CTC-7X2738 | P-UB-10 | 1-1/2 X 4 | 119.97 |
| CTC-7X2739 | P-UB-10 | 1-1/2 X 2-1/2 | 77.55 |
| CTC-7X2740 | P-UB-10 | 2-1/4 X 3-1/2 | 102.92 |
| CTC-7X2741 | P-UB-10 | 1-1/2 X 3-1/4 | 99.43 |
| CTC-7X2742 | P-UB-14 | 4 X 8-1/2 | 296.51 |
| CTC-7X2743 | P-UB-10 | 2-1/2 X 5 | 154.10 |
| CTC-7X2744 | P-UB-10 | 2-1/4 X 4 | 75.87 |
| CTC-7X2745 | P-UB-10 | 1-1/2 X 3 | 148.96 |
| CTC-7X2746 | P-UB-10 | 1-1/2 X 3-1/2 | 83.89 |
| CTC-7X2747 | P-UB-10 | 2-1/4 X 4-1/2 | 178.68 |
| CTC-7X2748 | P-UB-10 | 2-1/4 X 4-1/2 | 147.58 |
| CTC-7X2749 | P-UB-10 | 1-1/2 X 2-3/4 | 81.02 |
| CTC-7X2750 | P-UB-10 | 2-1/4 X 4-1/4 | 156.90 |
| CTC-7X2751 | P-UB-10 | 1-1/2 X 3 | 87.84 |
| CTC-7X2752 | P-UB-10 | 1-1/2 X 3-1/2 | 130.85 |
| CTC-7X2753 | P-UB-10 | 2 X 3 | 88.94 |
| CTC-7X2755 | P-UB-10 | 2 X 4 | 156.44 |

| Kit Number | Code (Pg. xiv) | Rod X Bore Size | List Price |
|-------------|----------------|-----------------|------------|
| CTC-7X2755A | P-UB-10 | 2 X 4 | \$129.68 |
| CTC-7X2756 | P-UB-10 | 3 X 5-1/4 | 173.43 |
| CTC-7X2757 | P-UB-10 | 3-1/4 X 6 | 300.52 |
| CTC-7X2760 | P-UB-10 | 2 X 3 | 96.66 |
| CTC-7X2761 | P-UB-10 | 1-3/4 X 4 | 76.92 |
| CTC-7X2762 | P-UB-10 | 1-3/4 X 3-1/2 | 137.14 |
| CTC-7X2763 | P-V-10 | 2 X 5 | 185.79 |
| CTC-7X2764 | P-UB-10 | 1-3/4 X 3-1/4 | 94.31 |
| CTC-7X2765 | P-UB-14 | 4 X 6-1/2 | 323.31 |
| CTC-7X2766 | P-UB-10 | 2 X 4-1/4 | 60.53 |
| CTC-7X2767 | P-UB-10 | 2 X 3-1/4 | 93.15 |
| CTC-7X2768 | P-UB-10 | 2 X 4-1/2 | 121.61 |
| CTC-7X2769 | P-UB-10 | 2 X 3-1/2 | 154.64 |
| CTC-7X2770 | P-V-10 | 2 X 4-1/2 | 134.35 |
| CTC-7X2773 | P-UB-10 | 2-1/2 X 4-3/4 | 178.45 |
| CTC-7X2782 | P-UB-10 | 2 X 4 | 58.48 |
| CTC-7X2783 | P-UB-10 | 2 X 3-1/2 | 141.24 |
| CTC-7X2784 | P-UB-10 | 1-3/4 X 3-1/2 | 77.28 |
| CTC-7X2785 | P-UB-10 | 2 X 4 | 112.13 |
| CTC-7X2787 | P-UB-10 | 2 X 3-3/4 | 141.74 |
| CTC-7X2788 | P-UB-10 | 2 X 5 | 162.73 |
| CTC-7X2789 | P-UB-10 | 2 X 4 | 139.93 |
| CTC-7X2790 | P-UB-10 | 1-3/4 X 4 | 127.50 |
| CTC-7X2791 | P-UB-10 | 1-3/4 X 3 | 121.52 |
| CTC-7X2792 | P-UB-10 | 2 X 3-1/2 | 120.39 |
| CTC-7X2793 | P-UB-10 | 4 X 10-1/2 | 404.41 |
| CTC-7X2794 | P-UB-10 | 3-3/4 X 6 | 509.31 |
| CTC-7X2795 | P-UB-10 | 2-1/4 X 4 | 144.80 |
| CTC-7X2796 | P-V-10 | 2-3/4 X 9-1/4 | 166.65 |
| CTC-7X2797 | P-V-10 | 2 X 5 | 97.25 |
| CTC-7X2798 | P-UB-10 | 2-1/4 X 3-3/4 | 104.11 |
| CTC-7X2799 | P-UB-10 | 4 X 9-1/4 | 389.51 |
| CTC-7X2800 | P-V-10 | 2 X 4 | 86.50 |
| CTC-7X2801 | P-UB-10 | 3-1/4 X 8-1/4 | 312.90 |
| CTC-7X2802 | P-UB-10 | 2-1/4 X 4 | 125.77 |
| CTC-7X2803 | P-UB-10 | 2-3/4 X 6 | 225.67 |
| CTC-7X2804 | P-UB-14 | 2-3/4 X 6-1/2 | 255.44 |
| CTC-7X2805 | P-UB-10 | 2 X 4-1/2 | 87.32 |
| CTC-7X2806 | P-U-10 | 2 X 3-1/2 | 166.43 |
| CTC-7X2807 | P-UB-10 | 1-3/4 X 3-3/4 | 50.79 |
| CTC-7X2808 | P-UB-10 | 2-3/8 X 3-3/4 | 110.61 |
| CTC-7X2809 | P-UB-10 | 7 X 11-1/2 | 619.73 |
| CTC-7X2810 | P-UB-10 | 4 X 10 | 316.61 |
| CTC-7X2811 | P-UB-14 | 4 X 10 | 376.56 |
| CTC-7X2812 | P-UB-10 | 1-1/2 X 3-1/2 | 138.26 |
| CTC-7X2813 | P-UB-10 | 3 X 5-1/2 | 257.51 |
| CTC-7X2814 | P-UB-14 | 3-3/4 X 6 | 272.35 |
| CTC-7X2815 | P-UB-10 | 2-1/4 X 4-3/4 | 132.64 |
| CTC-7X2816 | P-UB-10 | 4 X 5 | 268.30 |
| CTC-7X2817 | P-UB-10 | 4 X 10 | 391.42 |
| CTC-7X2818 | P-UB-10 | 2-1/4 X 3-1/2 | 123.74 |

REPLACEMENT KITS FOR CATERPILLAR® EQUIPMENT

NOTE: CATERPILLAR kit numbers are used as a reference only. We do not imply that these kits are original REPLACEMENT KITS.

| Kit Number | Code (Pg. xiv) | Rod X Bore Size | List Price | Kit Number | Code (Pg. xiv) | Rod X Bore Size | List Price |
|-------------|----------------|---------------------------|------------|------------|----------------|-----------------|------------|
| CTC-7X2819 | P-UB-10 | 2 X 4-1/4 | \$144.19 | CTC-8T1376 | P-UB-10 | 2-1/2 X 6-1/2 | \$109.10 |
| CTC-7X2820 | P-UB-10 | 1-3/4 X 2-3/4 | 108.52 | CTC-8T1378 | P-UB-10 | 2-1/2 X 4 | 93.15 |
| CTC-7X2821 | P-UB-10 | 2 X 3-1/4 | 164.69 | CTC-8T1379 | P-UB-10 | 3-1/4 X 8-1/4 | 172.99 |
| CTC-7X2822 | P-UB-10 | 2 X 3-1/2 | 131.03 | CTC-8T1380 | P-UB-10 | 2 X 3-1/2 | 72.46 |
| CTC-7X2823 | P-UB-10 | 3-1/4 X 5-1/2 | 325.18 | CTC-8T1381 | P-UB-10 | 2-1/2 X 4-3/4 | 104.44 |
| CTC-7X2824 | P-U-10 | 2-3/4 X 5 | 163.10 | CTC-8T1382 | P-UB-10 | 1-1/2 X 4 | 51.20 |
| CTC-7X2825 | P-UB-10 | 1-3/4 X 3 | 73.65 | CTC-8T1383 | P-UB-10 | 2-3/4 X 6-1/2 | 114.58 |
| CTC-7X2826 | P-UB-10 | 1-1/2 X 2-1/4 | 55.89 | CTC-8T1384 | P-UB-10 | 4 x 8-1/2 | 281.19 |
| CTC-7X2827 | P-UB-10 | 1-3/4 X 2-1/2 | 54.89 | CTC-8T1385 | P-UB-10 | 2-1/4 X 5 | 108.21 |
| CTC-7X2828 | P-UB-10 | 1-3/4 X 2-3/4 | 76.29 | CTC-8T1386 | P-UB-10 | 2 X 4 | 92.39 |
| CTC-7X2836 | P-UB-14 | 2-1/2 X 6 | 204.35 | CTC-8T1387 | I-U-10 | 3/4 X 1-1/2 | 54.95 |
| CTC-7X2882 | P-UB-10 | 1-3/4 X 3-1/2 | 89.40 | CTC-8T1388 | P-UB-10 | 1-3/4 X 3-1/2 | 67.10 |
| CTC-7X7718 | P-UB-10 | 4-3/4 X 6-1/2 | 344.58 | CTC-8T1389 | P-UB-10 | 2-3/8 X 4 | 65.32 |
| CTC-7X7719 | P-UB-10 | 4-3/4 X 6-1/2 | 351.56 | CTC-8T1390 | P-V-10 | 2 X 5 | 110.93 |
| CTC-7X7734 | P-UB-10 | 4-3/4 X 7 | 455.61 | CTC-8T1391 | P-UB-10 | 3-1/4 X 6 | 127.07 |
| CTC-7X7735 | P-UB-10 | 3-1/2 X 6 | 345.68 | CTC-8T1392 | P-UB-10 | 1-3/4 X 3-1/4 | 76.55 |
| CTC-7X7937 | P-UB-10 | 2 X 4 | 191.83 | CTC-8T1393 | P-UB-10 | 3-1/2 X 8-1/2 | 199.23 |
| CTC-7X7938 | P-UB-10 | 2 X 3-3/4 | 143.47 | CTC-8T1394 | P-UB-10 | 3-1/4 X 7 | 125.64 |
| CTC-7X7947 | P-UB-10 | 2 X 4 | 85.95 | CTC-8T1395 | P-UB-10 | 2-1/4 X 4-1/2 | 88.11 |
| CTC-7X7956 | P-UB-10 | 1-3/4 X 3 | 41.71 | CTC-8T1396 | P-UB-10 | 2-1/4 X 4-1/2 | 76.97 |
| CTC-7Y4698 | P-UB-10 | 105 X 150 mm | 455.25 | CTC-8T1397 | P-UB-10 | 1-1/2 X 2-1/2 | 61.33 |
| CTC-7Y4970 | P-UB-10 | 110 X 170 mm | 516.54 | CTC-8T1398 | P-UB-14 | 3-1/4 X 5-1/2 | 146.05 |
| CTC-7Y5145 | P-UB-10 | 85 X 130 mm | 366.57 | CTC-8T1399 | P-UB-10 | 3-1/4 X 7-3/4 | 163.63 |
| CTC-7Y5147 | P-UB-10 | 95 X 130 mm | 409.95 | CTC-8T1400 | P-UB-10 | 3 X 6-1/2 | 110.76 |
| CTC-8C3316 | P-UB-10 | 1-1/2 X 3-1/2 | 72.84 | CTC-8T1401 | P-V-10 | 3-1/2 X 8-1/4 | 186.32 |
| CTC-8C3317 | P-UB-10 | 1-1/2 X 2-3/4 | 67.97 | CTC-8T1402 | P-UB-10 | 1-1/2 X 2-3/4 | 61.13 |
| CTC-8C3318 | P-UB-10 | 1-3/4 X 2-3/4 | 41.39 | CTC-8T1403 | P-V-10 | 2-1/2 X 6 | 160.58 |
| CTC-8C3319 | P-UB-10 | 1-3/4 X 4 | 67.01 | CTC-8T1404 | P-UB-10 | 2-3/4 X 7-1/4 | 149.46 |
| CTC-8C3408 | P-UB-10 | 2 X 3-1/2 | 81.63 | CTC-8T1405 | P-UB-10 | 3 X 8-1/4 | 201.49 |
| CTC-8C4029 | P-UB-10 | 1-1/2 X 3 | 48.15 | CTC-8T1406 | P-V-10 | 2-1/2 X 5 | 98.08 |
| CTC-8C4030 | P-UB-10 | 3-1/4 X 6-1/2 | 365.85 | CTC-8T1408 | P-UB-10 | 3 X 6-1/2 | 110.76 |
| CTC-8C4031 | P-UB-10 | 3-1/4 X 5-1/2 | 352.42 | CTC-8T1409 | P-UB-10 | 4 X 6-1/2 | 233.35 |
| CTC-8C4398 | P-UB-10 | 5-3/4 x 7 | 504.62 | CTC-8T1410 | P-UB-10 | 3-1/2 X 8-1/4 | 169.54 |
| CTC-8C4510 | P-UB-1 | 2 | 43.62 | CTC-8T1411 | P-UB-10 | 3-1/4 X 9-1/4 | 180.12 |
| CTC-8C5768 | P-UB-10 | 2-1/2 X 6 | 136.07 | CTC-8T1412 | P-UB-10 | 2 X 4-1/4 | 60.53 |
| CTC-8C5788 | I-SP-3,10 | 7-1/4, 11 X 9-1/2, 12-1/4 | 1,449.71 | CTC-8T1413 | P-UB-10 | 2-1/4 X 4-1/4 | 91.03 |
| CTC-8C6707 | P-UB-10 | 3 X 6-1/2 | 168.70 | CTC-8T1414 | P-UB-10 | 2 X 3-1/4 | 68.13 |
| CTC-8C6896 | P-UB-10 | 2-1/2 X 4-3/4 | 108.73 | CTC-8T1415 | P-V-10 | 6 X 8-1/4 | 405.78 |
| CTC-8C6958 | P-U-10 | 4-1/2 X 6 | 355.11 | CTC-8T1416 | P-UB-10 | 2-1/2 X 7-1/4 | 124.85 |
| CTC-8C8731 | P-U-10 | 5-3/4 X 8-1/4 | 542.64 | CTC-8T1417 | P-UB-10 | 2-3/4 X 7-1/4 | 155.82 |
| CTC-8C9353 | P-UB-10 | 2 X 4 | 81.13 | CTC-8T1418 | P-V-10 | 2-1/2 X 6 | 133.04 |
| CTC-8C9438 | P-UB-10 | 2 X 4-1/2 | 102.44 | CTC-8T1419 | P-UB-10 | 2 X 4-1/2 | 78.05 |
| CTC-8J2004 | O-RINGS | | 13.66 | CTC-8T1420 | P-UB-10 | 2 X 3-1/2 | 75.31 |
| CTC-8J2005 | O-RINGS | | 14.81 | CTC-8T1421 | P-V-10 | 2 X 4-3/4 | 107.52 |
| CTC-8J8902K | I-SP-1 | 9 X 10-1/2 | 654.60 | CTC-8T1422 | P-V-10 | 2-1/2 X 6 | 160.58 |
| CTC-8T1370 | P-UB-10 | 2 X 4 | 76.24 | CTC-8T1423 | P-UB-10 | 3-1/2 X 7-1/2 | 168.02 |
| CTC-8T1371 | P-UB-10 | 1-3/4 X 4 | 68.69 | CTC-8T1426 | P-V-10 | 3-1/4 X 5-1/2 | 277.83 |
| CTC-8T1372 | P-UB-10 | 1-1/2 X 3-1/2 | 63.17 | CTC-8T1427 | P-V-10 | 3-1/4 X 6-1/2 | 305.16 |
| CTC-8T1373 | P-UB-10 | 1-3/4 X 3 | 58.82 | CTC-8T1428 | P-UB-10 | 3 X 5-1/4 | 147.45 |
| CTC-8T1374 | P-UB-10 | 2-1/2 X 5-1/2 | 128.10 | CTC-8T1429 | P-UB-10 | 2-1/2 X 4-1/4 | 67.75 |
| CTC-8T1375 | P-UB-10 | 2-1/2 X 5 | 92.31 | CTC-8T1430 | P-UB-10 | 3-1/4 X 9-1/4 | 201.51 |

REPLACEMENT KITS FOR CATERPILLAR® EQUIPMENT

NOTE: CATERPILLAR kit numbers are used as a reference only. We do not imply that these kits are original REPLACEMENT KITS.

| Kit Number | Code (Pg. xiv) | Rod X Bore Size | List Price |
|------------|----------------|-----------------|------------|
| CTC-8T1432 | P-UB-10 | 4 X 10-1/2 | \$239.03 |
| CTC-8T1435 | P-UB-10 | 1-1/2 X 3 | 59.99 |
| CTC-8T1438 | P-UB-10 | 2-1/2 X 4-1/4 | 86.06 |
| CTC-8T1439 | P-UB-10 | 2-1/4 X 4 | 87.35 |
| CTC-8T1448 | P-UB-10 | 3-1/2 X 10-1/2 | 217.60 |
| CTC-8T1451 | P-UB-10 | 3 X 6-1/4 | 128.53 |
| CTC-8T1456 | P-UB-14 | 6-1/2 X 10-1/2 | 546.43 |
| CTC-8T1457 | P-UB-10 | 4 X 7 | 263.46 |
| CTC-8T1461 | P-UB-10 | 4-1/4 X 6-1/2 | 312.13 |
| CTC-8T1462 | P-UB-14 | 4-3/4 X 6-1/2 | 333.97 |
| CTC-8T1464 | P-UB-10 | 2-3/8 X 4-1/4 | 73.54 |
| CTC-8T1466 | P-UB-10 | 2-1/2 X 4 | 89.78 |
| CTC-8T1467 | P-UB-10 | 3-1/2 X 8-1/4 | 199.07 |
| CTC-8T1468 | P-UB-10 | 3-1/2 X 8-1/4 | 157.33 |
| CTC-8T1470 | P-UB-10 | 2-3/4 X 4-1/2 | 126.56 |
| CTC-8T1472 | P-UB-10 | 2-1/2 X 6-1/2 | 111.75 |
| CTC-8T1473 | P-UB-10 | 2-1/4 X 3-3/4 | 58.78 |
| CTC-8T1474 | P-UB-10 | 4 X 9-1/4 | 206.99 |
| CTC-8T1477 | P-UB-14 | 3-1/2 X 8-1/4 | 277.48 |
| CTC-8T1479 | P-UB-10 | 5 X 7-3/4 | 523.50 |
| CTC-8T1480 | P-V-10 | 1-1/4 X 4 | 113.47 |
| CTC-8T1481 | P-V-10 | 2 X 4 | 92.98 |
| CTC-8T1484 | P-UB-10 | 2-1/4 X 4 | 85.98 |
| CTC-8T1488 | P-V-10 | 2-1/2 X 6 | 142.30 |
| CTC-8T1489 | P-UB-10 | 3 X 6 | 132.38 |
| CTC-8T1494 | P-UB-10 | 2-3/4 X 5-1/2 | 110.68 |
| CTC-8T1525 | P-UB-10 | 2-3/4 X 5-1/2 | 120.37 |
| CTC-8T1526 | P-UB-10 | 2-3/4 X 6 | 104.45 |
| CTC-8T1527 | P-UB-10 | 2-3/4 X 5 | 101.47 |
| CTC-8T1528 | P-UB-10 | 2-3/4 X 6-1/2 | 111.82 |
| CTC-8T1529 | P-UB-10 | 2-3/4 X 7 | 156.64 |
| CTC-8T1530 | P-UB-10 | 2-3/4 X 6-1/4 | 171.23 |
| CTC-8T1531 | P-UB-10 | 2 X 4-1/2 | 73.81 |
| CTC-8T1532 | P-V-10 | 2 X 3-1/2 | 86.99 |
| CTC-8T1534 | P-UB-10 | 2-1/2 X 4-1/2 | 88.70 |
| CTC-8T1541 | P-UB-10 | 1-3/4 X 3-3/4 | 62.55 |
| CTC-8T1542 | P-UB-10 | 2-3/8 X 3-3/4 | 83.01 |
| CTC-8T1543 | I-UB-10 | 5-1/2 X 9-1/2 | 631.33 |
| CTC-8T1544 | P-UB-10 | 7 X 11-1/2 | 368.97 |
| CTC-8T1545 | P-UB-14 | 4-3/4 X 7-1/4 | 396.35 |
| CTC-8T1546 | P-UB-10 | 4 X 10 | 265.80 |
| CTC-8T1548 | P-UB-10 | 1-1/2 X 3-1/2 | 65.79 |
| CTC-8T1549 | P-UB-14 | 3 X 5-1/2 | 157.75 |
| CTC-8T1551 | P-UB-14 | 3 X 7-1/4 | 155.97 |
| CTC-8T1553 | P-V-10 | 2-3/4 X 6 | 154.96 |
| CTC-8T1554 | P-V-14 | 2-3/4 X 6-1/2 | 188.97 |
| CTC-8T1555 | P-UB-14 | 3-1/4 X 6-1/2 | 148.69 |
| CTC-8T1558 | P-UB-10 | 5-3/4 X 8-1/4 | 840.18 |
| CTC-8T1559 | P-UB-10 | 3-1/2 X 8-1/4 | 154.06 |
| CTC-8T1563 | P-UB-10 | 3-1/4 X 5-1/2 | 135.66 |
| CTC-8T1565 | P-UB-14 | 4-3/4 X 7 | 336.66 |

| Kit Number | Code (Pg. xiv) | Rod X Bore Size | List Price |
|-------------|-------------------------|-------------------------------|------------|
| CTC-8T1566 | P-UB-14 | 3-1/4 X 6-1/2 | \$149.92 |
| CTC-8T1567 | P-UB-14 | 4-3/4 X 7 | 327.00 |
| CTC-8T1772 | P-UB-10 | 2-1/2 X 4-1/2 | 111.60 |
| CTC-8T1906 | P-UB-10 | 3 X 6 | 126.39 |
| CTC-8T1908 | P-UB-14 | 4-3/4 X 6 | 298.76 |
| CTC-8T1909 | P-UB-10 | 5 X 6 | 459.59 |
| CTC-8T2066 | P-UB-10 | 2-1/2 X 6 | 145.03 |
| CTC-8T2166 | P-UB-10 | 3-1/4 X 8-1/4 | 181.72 |
| CTC-8T2216 | P-UB-10 | 2-1/4 X 4-3/4 | 102.23 |
| CTC-8T2289 | P-UB-10 | 4 X 5 | 150.23 |
| CTC-8T2332 | P-UB-10 | 3 X 6-1/4 | 142.17 |
| CTC-8T2583 | P-UB-14 | 3-1/2 X 8-1/2 | 187.75 |
| CTC-8T3015 | P-UB-10 | 2-1/2 X 3-3/4 | 80.74 |
| CTC-8T3565 | P-UB-10 | 4 X 10 | 532.09 |
| CTC-8T3574 | P-UB-10 | 2-1/4 X 3-1/2 | 69.10 |
| CTC-8T3575 | P-UB-10 | 2 X 4-1/4 | 62.08 |
| CTC-8T3576 | P-UB-10 | 2-1/2 X 5-1/2 | 123.94 |
| CTC-8T3577 | P-UB-10 | 2-1/2 X 5-1/2 | 94.93 |
| CTC-8T3589 | P-UB-10 | 1-7/8 X 3-1/4 | 110.85 |
| CTC-8T3590 | P-UB-10 | 2 X 3-1/4 | 103.30 |
| CTC-8T3591 | P-UB-10 | 2-1/8 X 3-1/2 | 143.88 |
| CTC-8T3592 | P-UB-10 | 2 X 3-1/2 | 87.51 |
| CTC-8T3593 | P-UB-10 | 2-1/8 X 4 | 97.36 |
| CTC-8T3648 | P-UB-10 | 3-1/4 X 9-1/4 | 168.06 |
| CTC-8T3649 | P-UB-10 | 3-1/2 X 7-1/2 | 172.07 |
| CTC-8T3739 | P-UB-10 | 3-1/4 X 8-1/4 | 188.72 |
| CTC-8T3740 | P-UB-10 | 3 X 7-1/4 | 143.08 |
| CTC-8T3741 | P-UB-10 | 2-3/4 X 6-1/2 | 124.68 |
| CTC-8T3852 | P-UB-10 | 1-7/8 X 3 | 264.58 |
| CTC-8T4770 | P-UB-10 | 3-1/4 X 7-1/4 | 131.30 |
| CTC-8T4772 | I-SP-10 | 4, 6-1/2 X 5-3/4 | 431.41 |
| CTC-8T4891 | P-UB-10 | 2-1/2 X 4-3/4 | 105.92 |
| CTC-8T4892 | P-UB-10 | 1-1/2 X 3-1/2 | 70.60 |
| CTC-8T4939 | I-SP-3,10 | 7-1/4, 10-1/2 X 9-1/4, 11-1/2 | 1,060.54 |
| CTC-8T4940 | P-V-10 | 2-3/4 X 5 | 117.93 |
| CTC-8T9042 | I-SP-10 | 5,7-1/2 X 8-1/4 | 624.28 |
| CTC-9J3886 | O-RINGS | | 2.96 |
| CTC-9J5106 | PUMP KIT | | 49.10 |
| CTC-9J5118 | PUMP KIT | | 40.36 |
| CTC-9J5119 | PUMP KIT | | 40.99 |
| CTC-9J6488 | O-RINGS | | 12.99 |
| CTC-9M5603 | P-V-10 | 2-3/4 X 9-1/4 | 225.07 |
| CTC-9M5604 | P-U-10 | 2-1/2 X 7-1/4 | 155.77 |
| CTC-9M5605 | P-V-10 | 2-3/4 X 8-1/4 | 204.86 |
| CTC-9S3135 | SPLIT FLANGE O-RING KIT | | 55.25 |
| CTC-9T0418 | I-U-3 | 1 X 2 | 125.53 |
| CTC-9T1834K | P-UB-10 | 2-1/8 X 3-1/4 | 301.65 |
| CTC-9T2716K | P-UB-10 | 2-1/2 X 5 | 110.85 |
| CTC-9T3972K | I-SP-1 | 9 X 10-1/2 | 654.60 |
| CTC-9T7125 | P-SP-1 | 1" Rod Kit | 22.00 |
| CTC-9X2020 | I-UB-10 | 2-3/4 X 3-3/4 | 149.28 |

REPLACEMENT KITS FOR CATERPILLAR® EQUIPMENT

NOTE: CATERPILLAR kit numbers are used as a reference only. We do not imply that these kits are original REPLACEMENT KITS.

| Kit Number | Code (Pg. xiv) | Rod X Bore Size | List Price | Kit Number | Code (Pg. xiv) | Rod X Bore Size | List Price |
|---------------|----------------|-----------------|------------|--------------|----------------|-----------------------|------------|
| CTC-9X2031 | P-UB-10 | 2-1/8 X 3-1/4 | \$299.47 | CTC-SK100020 | I-SP-10 | 5,7-1/2 X 6-1/2,8-1/4 | \$580.60 |
| CTC-9X2047 | P-UB-10 | 2-1/2 X 5-1/2 | 124.43 | CTC-SK100021 | P-UB-1 | 9 X 10-3/4 | 1583.84 |
| CTC-9X2050 | P-UB-10 | 2-1/2 X 5-1/2 | 138.10 | CTC-SK100022 | P-UB-1 | 9 X 10-1/2 | 524.23 |
| CTC-9X2063 | P-UB-10 | 4-3/4 X 7 | 288.35 | CTC-SK100023 | P-UB-10 | 2-1/2 X 3-1/2 | 238.36 |
| CTC-9X2150 | P-UB-10 | 1-1/2 X 2-3/4 | 78.40 | CTC-SK100024 | P-UB-10 | 2-1/2 X 3-1/2 | 211.07 |
| CTC-9X2151 | P-UB-10 | 2-1/2 X 4-3/4 | 113.91 | CTC-SK100025 | P-UB-10 | 85 X 120 mm | 133.10 |
| CTC-9X2153 | P-UB-10 | 1-1/2 X 2-3/4 | 72.82 | CTC-SK100026 | P-UB-10 | 60 X 90 mm | 291.83 |
| CTC-9X2400 | P-UB-10 | 2-1/8 X 4 | 163.44 | CTC-SK100027 | P-V-10 | 1-1/2 X 4 | 36.00 |
| CTC-9X2473 | P-UB-10 | 2-3/4 X 6-1/2 | 184.58 | CTC-SK100029 | I-V-10 | 1-1/2 X 4 | 31.11 |
| CTC-9X2515 | P-UB-10 | 2-1/4 X 4 | 75.87 | CTC-SK100030 | P-V-8 | 2 X 5 | 111.10 |
| CTC-9X2638 | P-UB-10 | 1-3/4 X 2-3/4 | 48.98 | CTC-SK100031 | P-U-10 | 2-1/2 X 4-1/2 | 69.95 |
| CTC-9X2641 | P-UB-10 | 2-1/4 X 4 | 75.87 | CTC-SK100032 | P-U-10 | 2-1/2 X 6 | 131.95 |
| CTC-9X2644 | P-UB-10 | 3-1/2 X 7-3/4 | 269.94 | CTC-SK100033 | P-U-10 | 2-1/2 X 6 | 91.77 |
| CTC-9X2645 | P-UB-10 | 3-1/2 X 7-3/4 | 155.76 | CTC-SK100034 | P-UB-10 | 2-3/4 X 7-1/4 | 110.55 |
| CTC-9X6027 | P-SP-10 | 2-1/2 X 5-1/2 | 155.68 | CTC-SK100035 | P-UB-10 | 2-3/4 X 5-1/2 | 85.77 |
| CTC-9X6254 | P-UB-10 | 4-1/4 X 6-1/2 | 331.95 | CTC-SK100036 | P-V-10 | 2-3/4 X 7-1/4 | 124.76 |
| CTC-9X6255 | P-UB-10 | 4-1/4 X 6-1/2 | 335.67 | CTC-SK100037 | P-V-10 | 2-3/4 X 8-1/4 | 159.87 |
| CTC-9X6261 | P-UB-10 | 4 X 6 | 317.69 | CTC-SK100038 | I-V-10 | 2-3/4 X 7-1/4 | 115.73 |
| CTC-9X6263 | P-UB-10 | 4 X 6 | 282.47 | CTC-SK100039 | P-UB-10 | 3 X 8-1/4 | 116.06 |
| CTC-9X6379 | P-UB-10 | 4-1/4 X 6-1/2 | 435.40 | CTC-SK100040 | P-V-10 | 3 X 8-1/4 | 169.23 |
| CTC-9X6392 | P-UB-10 | 2-1/4 X 5 | 219.47 | CTC-SK100041 | P-V-10 | 3 X 9-1/4 | 182.35 |
| CTC-9X6393 | P-UB-10 | 3-3/4 X 6 | 374.85 | CTC-SK100042 | I-V-10 | 3 X 8-1/4 | 171.67 |
| CTC-9X6398 | P-V-10 | 3-1/4 X 6-1/2 | 299.98 | CTC-SK100043 | I-UB-10 | 3-1/4 X 9-1/4 | 153.07 |
| CTC-C75300011 | P-UB-13 | 70 X 110 mm | 336.11 | CTC-SK100044 | P-V-10 | 3-1/4 X 9-1/4 | 181.00 |
| CTC-C75300021 | P-UB-13 | 80 X 120 mm | 321.44 | CTC-SK100045 | I-V-10 | 3-1/4 X 9-1/4 | 175.04 |
| CTC-C75300031 | P-UB-13 | 65 X 110 mm | 354.81 | CTC-SK100046 | P-UB-10 | 3-1/2 X 8-1/4 | 205.35 |
| CTC-C95300623 | P-UB-10 | 80 X 120 mm | 380.02 | CTC-SK100047 | I-UB-10 | 3 X 8-1/4 | 149.21 |
| CTC-C95300731 | P-UB-10 | 65 X 100 mm | 260.86 | CTC-SK100048 | P-V-13 | 7-1/4 X 10-1/4 | 658.90 |
| CTC-C95301729 | P-UB-10 | 75 X 110 mm | 267.04 | CTC-SK100049 | P-V-13 | 7-1/4 X 10-1/4 | 657.51 |
| CTC-E25300061 | P-UB-14 | 90 X 140 mm | 581.80 | CTC-SK100050 | I-U-10 | 1 X 2 | 37.22 |
| CTC-E35300040 | P-UB-10 | 85 X 125 mm | 442.69 | CTC-SK100051 | P-UB-10 | 3-1/2 X 8-1/4 | 245.37 |
| CTC-E75300010 | P-UB-10 | 100 X 140 mm | 528.39 | CTC-SK100052 | P-UB-10 | 3 X 6-1/4 | 186.12 |
| CTC-E85300011 | P-UB-10 | 85 X 120 mm | 533.48 | CTC-SK100053 | P-UB-10 | 4 X 6-1/2 | 381.13 |
| CTC-E85300021 | P-UB-10 | 95 X 130 mm | 588.59 | CTC-SK100054 | P-UB-10 | 2-1/2 X 5-1/2 | 284.88 |
| CTC-E85300031 | P-UB-10 | 75 X 115 mm | 494.72 | CTC-SK100055 | P-UB-10 | 2-1/4 X 5 | 481.77 |
| CTC-F15300011 | P-UB-14 | 100 X 150 mm | 644.33 | CTC-SK100056 | P-UB-10 | 2-3/4 X 5-1/2 | 141.62 |
| CTC-F15300021 | P-UB-14 | 110 X 160 mm | 534.60 | CTC-SK100057 | N-N-10 | 5 | 41.94 |
| CTC-SK100001 | P-UB-10 | 60 X 100 mm | 182.89 | CTC-SK100059 | N-N-10 | 5 | 104.27 |
| CTC-SK100003 | P-UB-10 | 95 X 130 mm | 260.47 | CTC-SK100060 | P-U-1 | 7 X 8 | 941.00 |
| CTC-SK100004 | P-UB-10 | 130 X 180 mm | 541.12 | CTC-SK100061 | P-UB-10 | 2-1/2 X 3-1/2 | 116.46 |
| CTC-SK100005 | P-UB-10 | 70 X 140 mm | 385.53 | CTC-SK100062 | P-SP,U-1 | 12-1/2 X 15-1/8 | 2,384.80 |
| CTC-SK100006 | P-UB-10 | 115 X 170 mm | 533.23 | CTC-SK100063 | P-SP,U-1 | 12-1/2 X 15-1/8 | 2,410.33 |
| CTC-SK100007 | P-UB-10 | 2-1/2 X 4 | 62.04 | CTC-SK100064 | P-UB-10 | 2-3/4 X 6 | 260.18 |
| CTC-SK100008 | P-UB-10,12 | 2-1/2 X 4 | 415.16 | CTC-SK100065 | P-UB-10 | 40 mm X 90 mm | 60.77 |
| CTC-SK100009 | P-UB-10 | 2-1/2 X 5-1/2 | 100.66 | CTC-SK100066 | P-UB-10 | 7-1/4 X 10 | 585.08 |
| CTC-SK100010 | P-UB-10 | 3-1/4 X 7 | 271.32 | CTC-SK100081 | P-UB-10 | 6-1/2 X 220 mm | 847.57 |
| CTC-SK100011 | P-UB-10 | 3-1/2 X 6 | 205.09 | CTC-SK100089 | P-UB-10 | 7 X 220 mm | 616.53 |
| CTC-SK100012 | P-UB-10 | 3 X 5 | 176.10 | CTC-SK100090 | P-UB-10 | 7 X 220 mm | 593.62 |
| CTC-SK100017 | P-UB-10 | 6-1/2 X 9-1/4 | 1,246.05 | CTC-SK100095 | P-UB-10 | 2-1/2 X 3-1/2 | 120.72 |
| CTC-SK100018 | P-UB-10 | 7 X 10 | 1,173.68 | CTC-SK100097 | P-UB-1 | 7 X 8-1/2 | 398.75 |
| CTC-SK100019 | P-UB-10 | 150 X 220 mm | 664.64 | CTC-SK100106 | P-UB-10 | 85 X 150 mm | 189.40 |

REPLACEMENT KITS FOR CATERPILLAR® EQUIPMENT

NOTE: CATERPILLAR kit numbers are used as a reference only. We do not imply that these kits are original REPLACEMENT KITS.

| Kit Number | Code (Pg. xiv) | Rod X Bore Size | List Price |
|--------------|----------------|-----------------|------------|
| CTC-SK100107 | P-UB-10 | 85 X 140 mm | \$175.65 |
| CTC-SK100108 | P-UB-10 | 85 X 160 mm | 202.06 |
| CTC-SK100112 | P-UB-10 | 1-1/2 X 3 | 52.17 |
| CTC-SK100113 | P-UB-10 | 60 X 110 mm | 204.37 |
| CTC-SK100114 | P-UB-10 | 45 X 90 mm | 144.10 |
| CTC-SK100163 | P-UB-10 | 85 X 150 mm | 185.99 |
| CTC-SK100164 | P-UB-10 | 85 X 170 mm | 313.91 |
| CTC-SK100165 | P-UB-10 | 100 X 190 mm | 261.81 |
| CTC-SK100166 | P-UB-10 | 100 X 190 mm | 296.09 |
| CTC-SK100167 | P-UB-10 | 90 X 170 mm | 258.03 |
| CTC-SK100180 | P-U-10 | 55 X 90 mm | 79.46 |
| CTC-SK100181 | P-U-10 | 55 X 100 mm | 102.60 |
| CTC-SK100182 | P-U-10 | 50 X 80 mm | 97.54 |
| CTC-SK100183 | P-U-10 | 55 X 90 mm | 91.64 |
| CTC-SK100184 | P-U-10 | 55 X 100 mm | 102.60 |
| CTC-SK100185 | P-U-10 | 55 X 100 mm | 102.60 |
| CTC-SK100186 | P-U-10 | 55 X 90 mm | 91.64 |
| CTC-SK100188 | P-UB-10 | 55 X 85 mm | 119.07 |
| CTC-SK100189 | P-UB-10 | 70 X 110 mm | 230.35 |
| CTC-SK100190 | P-UB-10 | 60 X 95 mm | 140.06 |
| CTC-SK100196 | P-UB-10 | 2-1/4 X 4 | 116.95 |
| CTC-SK100207 | TRACK ADJ | TRACK ADJ | 37.35 |
| CTC-SK100208 | P-UB-10 | 100 X 170 | 253.22 |

| Kit Number | Code (Pg. xiv) | Rod X Bore Size | List Price |
|--------------|----------------|-----------------|------------|
| CTC-SK100209 | P-UB-10 | 100 X 150 | \$189.62 |
| CTC-SK100210 | P-UB-10 | 100 X 150 | 227.54 |
| CTC-SK100211 | P-U-10 | 40 X 55 | 61.43 |
| CTC-SK100212 | P-U-10 | 30 X 65 | 60.47 |
| CTC-SK100219 | P-UB-10 | 65 mm X 130 mm | 150.73 |
| ELPH-1DE3187 | P-UB-14 | 4 X 230 mm | 510.41 |
| ELPH-9DE1800 | P-UB-10 | 3 X 6 | 252.48 |
| ELPH-9DE1809 | P-UB-10 | 2-1/2 X 5 | 217.44 |
| ELPH-9DE1817 | P-UB-10 | 3-1/4 X 7-3/4 | 324.65 |
| ELPH-9DE2659 | P-UB-10 | 4 X 8-1/2 | 348.14 |
| ELPH-9DE2994 | P-UB-10 | 4 X 10 | 444.89 |
| ELPH-9EL7527 | P-UB-10 | 4 X 8-1/2 | 388.37 |
| ELPH-9EL8333 | P-UB-10 | 5-1/2 X 10-1/2 | 769.24 |
| ELPH-9EP9170 | P-UB-10 | 5 X 9-1/4 | 431.71 |
| ELPH-9EQ0379 | P-UB-10 | 3 X 6 | 295.88 |
| ELPH-9EQ0380 | P-UB-10 | 4-1/4 X 8-1/4 | 316.65 |

REPLACEMENT PARTS FOR CATERPILLAR® EQUIPMENT

NOTE: CATERPILLAR kit numbers are used as a reference only. We do not imply that these kits are original REPLACEMENT PARTS.

1 PIECE BUFFER RINGS

| Part Number | Rod Dia. | List Price |
|---------------|----------|------------|
| CTC-5P4673 | 7/8 | \$5.43 |
| CTC-9J3497 | 1-1/4 | 6.92 |
| CTC-6J9733 | 1-1/2 | 7.57 |
| CTC-6J9178 | 1-3/4 | 6.16 |
| CTC-4T6778 | 1-7/8 | 16.75 |
| CTC-9X3566 | 1-7/8 | 20.08 |
| CTC-6J6917 | 2 | 5.77 |
| CTC-4T6127 | 2-1/8 | 7.78 |
| CTC-4T6127N | 2-1/8 | 7.78 |
| CTC-9X3568 | 2-1/8 | 24.94 |
| CTC-5J3616 | 2-1/4 | 8.71 |
| CTC-6J6916 | 2-3/8 | 7.79 |
| CTC-5J3620 | 2-1/2 | 7.28 |
| CTC-1U4020 | 2-5/8 | 13.91 |
| CTC-6J6553 | 2-3/4 | 8.55 |
| CTC-6J6915 | 3 | 9.89 |
| CTC-6J7167 | 3-1/4 | 9.37 |
| CTC-6J6736 | 3-1/2 | 10.97 |
| CTC-8J6070 | 3-3/4 | 12.40 |
| CTC-8J4627 | 4 | 17.98 |
| CTC-7J8943 | 4-1/4 | 25.31 |
| CTC-3G5055 | 4-3/8 | 11.76 |
| CTC-7J9257 | 4-3/4 | 16.50 |
| CTC-2892943 | 5 | 12.53 |
| CTC-8J4509 | 5 | 17.10 |
| CTC-9J5468 | 5-3/4 | 28.07 |
| CTC-6J8631 | 6-1/2 | 23.56 |
| CTC-9J2495 | 7 | 29.09 |
| CTC-2892940 | 7-1/2 | 25.46 |
| CTC-4413079 | 45 mm | 11.72 |
| CTC-0959791 | 50 mm | 11.65 |
| CTC-A04600811 | 65 mm | 14.25 |
| CTC-4413141 | 65 mm | 13.14 |
| CTC-4414069 | 70 mm | 13.44 |
| CTC-4412545 | 75 mm | 14.19 |
| CTC-4411132 | 80 mm | 14.56 |
| CTC-A04600813 | 80 mm | 17.12 |
| CTC-7Y4630 | 95 mm | 70.39 |

2 PIECE BUFFER RINGS

| Part Number | Rod Dia. | List Price |
|-------------|----------|------------|
| CTC-8C9122 | 1-1/2 | \$18.68 |
| CTC-1672190 | 1-3/4 | 5.76 |
| CTC-8C9123 | 1-3/4 | 19.91 |
| CTC-1672195 | 2 | 4.68 |
| CTC-8C9124 | 2 | 21.80 |
| CTC-8C9125 | 2-1/4 | 28.08 |
| CTC-8C9138 | 2-3/8 | 31.27 |
| CTC-8C3839 | 2-1/2 | 25.99 |
| CTC-1672206 | 2-5/8 | 30.12 |
| CTC-9T9363 | 2-5/8 | 30.12 |
| CTC-1672207 | 2-3/4 | 9.67 |
| CTC-8C3841 | 2-3/4 | 33.14 |
| CTC-8C9126 | 3 | 22.02 |
| CTC-8C9121 | 3-1/4 | 33.02 |
| CTC-1672211 | 3-1/2 | 10.95 |
| CTC-2017748 | 3-1/2 | 39.91 |
| CTC-8C9127 | 3-1/2 | 39.91 |
| CTC-8C9128 | 3-3/4 | 42.31 |
| CTC-1672216 | 4 | 14.62 |
| CTC-8C9129 | 4 | 44.62 |
| CTC-6E0425 | 4-1/4 | 98.56 |
| CTC-1672220 | 4-1/2 | 75.38 |
| CTC-2951317 | 4-1/2 | 75.38 |
| CTC-3358964 | 4-1/2 | 75.38 |
| CTC-3G8507 | 4-1/2 | 61.23 |
| CTC-8C9144 | 4-1/2 | 61.23 |
| CTC-9X7261 | 4-3/4 | 100.13 |
| CTC-9X3581 | 5 | 104.02 |
| CTC-9X7267 | 5-1/4 | 82.62 |
| CTC-9X3575 | 5-3/4 | 106.15 |
| CTC-8C9130 | 7 | 83.08 |
| CTC-1095258 | 35.4 mm | 15.64 |
| CTC-2774162 | 45 mm | 66.63 |
| CTC-1410706 | 50 mm | 24.66 |
| CTC-2774131 | 50 mm | 24.66 |
| CTC-0996997 | 55 mm | 24.80 |
| CTC-1572237 | 55 mm | 32.24 |
| CTC-2773384 | 55 mm | 24.80 |
| CTC-0931481 | 60 mm | 35.22 |

2 PIECE BUFFER RINGS

| Part Number | Rod Dia. | List Price |
|---------------|----------|------------|
| CTC-1336784 | 60 mm | \$35.22 |
| CTC-0931482 | 65 mm | 41.89 |
| CTC-1262149 | 65 mm | 41.89 |
| CTC-A04601014 | 65 mm | 41.89 |
| CTC-0931483 | 70 mm | 45.74 |
| CTC-1262150 | 70 mm | 45.74 |
| CTC-1672235 | 70 mm | 8.94 |
| CTC-1709841 | 70 mm | 45.74 |
| CTC-1709842 | 75 mm | 48.61 |
| CTC-A04601015 | 70 mm | 45.74 |
| CTC-0963469 | 75 mm | 48.61 |
| CTC-1262151 | 75 mm | 48.61 |
| CTC-A04601016 | 75 mm | 48.61 |
| CTC-0931484 | 80 mm | 51.49 |
| CTC-1262152 | 80 mm | 51.49 |
| CTC-1709843 | 80 mm | 51.49 |
| CTC-A04601017 | 80 mm | 51.49 |
| CTC-7Y5118 | 85 mm | 55.23 |
| CTC-1231943 | 85 mm | 55.23 |
| CTC-1540732 | 85 mm | 55.23 |
| CTC-1709844 | 85 mm | 55.23 |
| CTC-2043622 | 85 mm | 55.23 |
| CTC-2742494 | 85 mm | 55.23 |
| CTC-0961585 | 90 mm | 66.68 |
| CTC-1540752 | 90 mm | 66.68 |
| CTC-1672212 | 90 mm | 66.68 |
| CTC-1709845 | 90 mm | 66.68 |
| CTC-2043624 | 90 mm | 66.68 |
| CTC-2742495 | 90 mm | 66.68 |
| CTC-1672213 | 95 mm | 70.39 |
| CTC-1709846 | 95 mm | 70.39 |
| CTC-2095957 | 95 mm | 70.39 |
| CTC-2590652 | 95 mm | 70.39 |
| CTC-0962663 | 100 mm | 72.42 |
| CTC-1231983 | 100 mm | 72.42 |
| CTC-1540739 | 100 mm | 72.42 |
| CTC-1672215 | 100 mm | 72.42 |
| CTC-1709847 | 100 mm | 72.42 |
| CTC-2043623 | 100 mm | 72.42 |

REPLACEMENT PARTS FOR CATERPILLAR® EQUIPMENT

NOTE: CATERPILLAR kit numbers are used as a reference only. We do not imply that these kits are original REPLACEMENT PARTS.

2 PIECE BUFFER RINGS

| Part Number | Rod Dia. | List Price |
|---------------|----------|------------|
| CTC-2742496 | 100 mm | \$72.42 |
| CTC-1231942 | 105 mm | 75.05 |
| CTC-1540770 | 105 mm | 75.05 |
| CTC-1672217 | 105 mm | 75.05 |
| CTC-2096009 | 105 mm | 75.05 |
| CTC-2667956 | 105 mm | 75.05 |
| CTC-1289266 | 110 mm | 78.14 |
| CTC-2667957 | 110 mm | 78.14 |
| CTC-7Y4943 | 110 mm | 78.14 |
| CTC-A04601018 | 110 mm | 78.14 |
| CTC-1915645 | 115 mm | 43.10 |
| CTC-2590773 | 115 mm | 43.10 |
| CTC-1704827 | 125 mm | 60.17 |
| CTC-0965169 | 130 mm | 131.67 |
| CTC-1709850 | 130 mm | 131.67 |
| CTC-2667958 | 130 mm | 131.67 |
| CTC-1672226 | 140 mm | 214.40 |
| CTC-1709851 | 140 mm | 214.40 |
| CTC-8C9189 | 140 mm | 214.40 |
| CTC-1672229 | 150 mm | 140.54 |
| CTC-1709853 | 150 mm | 140.54 |
| CTC-8C9193 | 150 mm | 140.54 |

3 PIECE BUFFER RINGS

| Part Number | Rod Dia. | List Price |
|----------------|----------|------------|
| CTC-2332616 | 50 mm | \$8.93 |
| CTC-2332615 | 55 mm | 8.93 |
| CTC-1505840 | 80 mm | 76.33 |
| CTC-0861023 | 85 mm | 80.56 |
| CTC-1672210 | 85 mm | 80.56 |
| CTC-4I3611 | 85 mm | 80.56 |
| CTC-1052576 | 90 mm | 84.80 |
| CTC-1076257 | 100 mm | 97.45 |
| CTC-0556510010 | 100 mm | 42.29 |
| CTC-4I3626 | 100 mm | 97.45 |
| CTC-1140704 | 105 mm | 101.68 |

DYR STYLE BUFFER RINGS

| Part Number | Rod Dia. | List Price |
|-------------|----------|------------|
| CTC-1672186 | 1-1/2 | \$8.13 |
| CTC-1672191 | 1-3/4 | 26.39 |
| CTC-3081884 | 1-3/4 | 26.39 |
| CTC-1672192 | 1-7/8 | 8.91 |
| CTC-3081876 | 2 | 92.03 |
| CTC-2892935 | 2 | 4.68 |
| CTC-1672201 | 2-1/2 | 7.06 |
| CTC-1672204 | 2-1/2 | 57.38 |
| CTC-2892937 | 2-1/2 | 11.61 |
| CTC-1672200 | 2-1/4 | 6.26 |
| CTC-1506744 | 2-1/8 | 39.63 |
| CTC-1672197 | 2-1/8 | 39.63 |
| CTC-1672198 | 2-1/8 | 7.30 |
| CTC-1485674 | 2-3/4 | 33.45 |
| CTC-1672202 | 2-3/8 | 8.23 |
| CTC-1529022 | 3 | 36.13 |
| CTC-1672208 | 3 | 11.43 |
| CTC-3124248 | 3 | 36.13 |
| CTC-3119316 | 3-1/2 | 41.52 |
| CTC-1672209 | 3-1/4 | 10.39 |
| CTC-3465193 | 3-1/4 | 10.39 |
| CTC-1672214 | 3-3/4 | 12.41 |
| CTC-3465192 | 3-3/4 | 12.41 |
| CTC-3119319 | 4 | 50.75 |
| CTC-1672218 | 4-1/4 | 265.71 |
| CTC-1672221 | 4-3/4 | 282.36 |
| CTC-1672725 | 5-1/2 | 101.34 |
| CTC-1211601 | 5-3/4 | 71.17 |
| CTC-9X7322 | 6-1/2 | 351.70 |
| CTC-1351995 | 7 | 73.87 |
| CTC-1672233 | 7 | 73.87 |
| CTC-3306820 | 7 | 75.23 |
| CTC-3469380 | 7 | 73.87 |
| CTC-1080133 | 7-1/4 | 78.51 |
| CTC-1672234 | 7-1/4 | 78.51 |
| CTC-1351997 | 7-1/2 | 80.78 |
| CTC-1672236 | 7-1/2 | 80.78 |
| CTC-3306822 | 9 | 98.09 |

DYR STYLE BUFFER RINGS

| Part Number | Rod Dia. | List Price |
|-------------|----------|------------|
| CTC-1672239 | 8 | \$89.21 |
| CTC-1465150 | 40 mm | 12.11 |
| CTC-1672242 | 45 mm | 52.48 |
| CTC-1672183 | 50 mm | 37.56 |
| CTC-3295788 | 50 mm | 30.82 |
| CTC-1336785 | 55 mm | 24.80 |
| CTC-1709838 | 55 mm | 24.80 |
| CTC-1672199 | 55 mm | 24.80 |
| CTC-3295789 | 55 mm | 24.80 |
| CTC-1672185 | 60 mm | 66.42 |
| CTC-1709839 | 60 mm | 35.22 |
| CTC-1460739 | 65 mm | 41.89 |
| CTC-1709840 | 65 mm | 41.89 |
| CTC-3494116 | 70 mm | 83.57 |
| CTC-4161298 | 70 mm | 83.57 |
| CTC-1672184 | 75 mm | 122.82 |
| CTC-3494115 | 75 mm | 89.80 |
| CTC-4161276 | 75 mm | 89.80 |
| CTC-1672243 | 80 mm | 125.92 |
| CTC-2095960 | 80 mm | 51.49 |
| CTC-3555814 | 80 mm | 94.33 |
| CTC-4161287 | 80 mm | 94.33 |
| CTC-3500952 | 85 mm | 55.23 |
| CTC-4161315 | 85 mm | 72.20 |
| CTC-3555818 | 85 mm | 72.20 |
| CTC-1232048 | 90 mm | 66.68 |
| CTC-3500953 | 90 mm | 15.59 |
| CTC-1505885 | 95 mm | 70.39 |
| CTC-3722151 | 95 mm | 134.19 |
| CTC-3500954 | 95 mm | 15.59 |
| CTC-4161320 | 95 mm | 147.94 |
| CTC-3776022 | 100 mm | 138.88 |
| CTC-3500955 | 100 mm | 18.29 |
| CTC-3246438 | 105 mm | 75.05 |
| CTC-3500956 | 105 mm | 19.13 |
| CTC-3338687 | 110 mm | 78.14 |
| CTC-1232031 | 110 mm | 78.14 |
| CTC-3249484 | 115 mm | 43.10 |

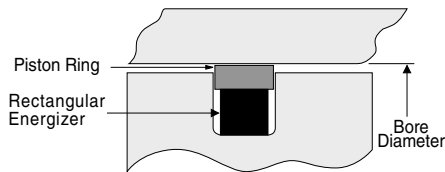
REPLACEMENT PARTS FOR CATERPILLAR® EQUIPMENT

NOTE: CATERPILLAR kit numbers are used as a reference only. We do not imply that these kits are original REPLACEMENT PARTS.

DYR STYLE BUFFER RINGS

| Part Number | Rod Dia. | List Price |
|-------------|----------|------------|
| CTC-3338672 | 130 mm | \$131.67 |
| CTC-1262108 | 130 mm | 131.67 |
| CTC-1475769 | 140 mm | 214.40 |
| CTC-3673928 | 140 mm | 146.23 |

2 PIECE PISTON SEALS



| Part Number | Bore Dia. | List Price |
|-------------|-----------|------------|
| CTC-5J9822 | 1-1/2 | \$12.67 |
| CTC-5J7004 | 2 | 12.66 |
| CTC-5J7004A | 2 | 12.66 |
| CTC-1U3998 | 2-1/4 | 16.84 |
| CTC-1U3998A | 2-1/4 | 16.84 |
| CTC-8J6213 | 2-1/2 | 15.06 |
| CTC-8J6213A | 2-1/2 | 15.06 |
| CTC-5J7010 | 2-3/4 | 23.02 |
| CTC-5J7010A | 2-3/4 | 23.02 |
| CTC-6J1972 | 3 | 16.95 |
| CTC-6J1972A | 3 | 16.95 |
| CTC-2443839 | 3-1/4 | 104.16 |
| CTC-6J0793 | 3-1/4 | 24.05 |
| CTC-6J0793A | 3-1/4 | 24.05 |
| CTC-5J7013 | 3-1/2 | 18.26 |
| CTC-5J7013A | 3-1/2 | 18.26 |
| CTC-5J8011 | 3-3/4 | 30.60 |
| CTC-5J8011A | 3-3/4 | 30.60 |
| CTC-5J5402 | 4 | 23.80 |
| CTC-5J5402A | 4 | 23.80 |
| CTC-5J7854 | 4-1/4 | 25.70 |
| CTC-5J7854A | 4-1/4 | 25.70 |
| CTC-5J4986 | 4-1/2 | 29.71 |
| CTC-5J4986A | 4-1/2 | 29.71 |
| CTC-5J4987 | 4-3/4 | 32.47 |
| CTC-5J4987A | 4-3/4 | 32.47 |
| CTC-5J5020 | 5 | 35.19 |

2 PIECE PISTON SEALS

| Part Number | Bore Dia. | List Price |
|-------------|-----------|------------|
| CTC-5J5020A | 5 | \$35.19 |
| CTC-6J9354 | 5 | 38.75 |
| CTC-5J7234 | 5-1/4 | 39.30 |
| CTC-5J7234A | 5-1/4 | 39.30 |
| CTC-5J4988 | 5-1/2 | 34.38 |
| CTC-5J4988A | 5-1/2 | 34.38 |
| CTC-9J4981 | 5-3/4 | 48.27 |
| CTC-5J4989 | 6 | 39.75 |
| CTC-5J4989A | 6 | 39.75 |
| CTC-5J4990 | 6-1/4 | 40.62 |
| CTC-5J4990A | 6-1/4 | 40.62 |
| CTC-5J4991 | 6-1/2 | 45.63 |
| CTC-5J4991A | 6-1/2 | 45.63 |
| CTC-5J4997 | 7 | 49.46 |
| CTC-5J4997A | 7 | 49.46 |
| CTC-5J4993 | 7-1/4 | 55.17 |
| CTC-5J4993A | 7-1/4 | 55.17 |
| CTC-9J7117 | 7-1/2 | 86.16 |
| CTC-9J7117A | 7-1/2 | 86.16 |
| CTC-5J7016 | 7-3/4 | 88.66 |
| CTC-5J7016A | 7-3/4 | 88.66 |
| CTC-5J5559 | 8-1/4 | 47.67 |
| CTC-5J5559A | 8-1/4 | 47.67 |
| CTC-6J9385 | 8-1/2 | 57.80 |
| CTC-6J9385A | 8-1/2 | 57.80 |
| CTC-5J7019 | 9-1/4 | 70.17 |
| CTC-5J7019A | 9-1/4 | 70.17 |
| CTC-1214179 | 10 | 126.32 |
| CTC-1674004 | 50 mm | 12.87 |
| CTC-1449483 | 55 mm | 14.69 |
| CTC-1449485 | 60 mm | 16.14 |
| CTC-1980659 | 60 mm | 14.48 |
| CTC-2047228 | 65 mm | 23.91 |
| CTC-1403750 | 65 mm | 38.44 |
| CTC-1617144 | 65 mm | 21.28 |
| CTC-1404273 | 70 mm | 40.16 |
| CTC-1617145 | 70 mm | 19.39 |
| CTC-1754721 | 70 mm | 40.16 |
| CTC-1617146 | 75 mm | 19.62 |
| CTC-1920684 | 75 mm | 39.59 |
| CTC-1930784 | 75 mm | 25.67 |
| CTC-1991141 | 75 mm | 39.59 |

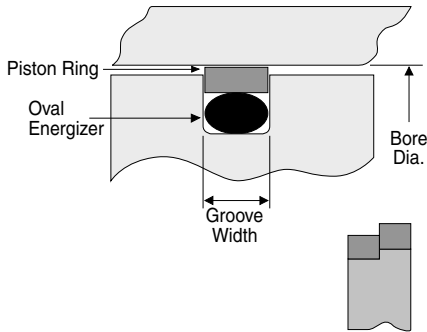
2 PIECE PISTON SEALS

| Part Number | Bore Dia. | List Price |
|-------------|-----------|------------|
| CTC-1200890 | 75 mm | \$25.67 |
| CTC-2107029 | 75 mm | 39.59 |
| CTC-4413082 | 75 mm | 21.11 |
| CTC-1463923 | 80 mm | 40.92 |
| CTC-1617147 | 80 mm | 24.44 |
| CTC-1931394 | 80 mm | 44.25 |
| CTC-1931770 | 85 mm | 32.54 |
| CTC-1463968 | 85 mm | 42.09 |
| CTC-1617149 | 85 mm | 37.74 |
| CTC-1934313 | 85 mm | 36.58 |
| CTC-2107026 | 85 mm | 42.09 |
| CTC-2332584 | 85 mm | 37.74 |
| CTC-3825817 | 85 mm | 30.96 |
| CTC-1463994 | 90 mm | 44.45 |
| CTC-1708800 | 90 mm | 44.45 |
| CTC-1445287 | 90 mm | 38.64 |
| CTC-1931368 | 90 mm | 51.68 |
| CTC-1522464 | 95 mm | 49.52 |
| CTC-4410265 | 95 mm | 42.27 |
| CTC-1708781 | 100 mm | 41.51 |
| CTC-2057956 | 100 mm | 41.51 |
| CTC-1407649 | 100 mm | 40.41 |
| CTC-4406076 | 100 mm | 43.48 |
| CTC-0963893 | 110 mm | 60.97 |
| CTC-3406338 | 110 mm | 40.64 |
| CTC-3825755 | 110 mm | 40.97 |
| CTC-1460743 | 115 mm | 47.54 |
| CTC-4413147 | 115 mm | 51.16 |
| CTC-0967803 | 120 mm | 62.43 |
| CTC-3406339 | 120 mm | 49.29 |
| CTC-1864955 | 125 mm | 68.92 |
| CTC-0961564 | 125 mm | 62.43 |
| CTC-0861345 | 130 mm | 64.60 |
| CTC-3406340 | 130 mm | 70.67 |
| CTC-4958200 | 130 mm | 30.43 |
| CTC-2344583 | 135 mm | 72.96 |
| CTC-4411134 | 140 mm | 69.01 |
| CTC-0961570 | 140 mm | 73.76 |
| CTC-3512190 | 150 mm | 46.64 |
| CTC-5536505 | 150 mm | 85.86 |

REPLACEMENT PARTS FOR CATERPILLAR® EQUIPMENT

NOTE: CATERPILLAR kit numbers are used as a reference only. We do not imply that these kits are original REPLACEMENT PARTS.

2 PIECE STEP-CUT PISTON SEALS



| Part Number | Bore Dia. | Groove Width | List Price |
|-------------|-----------|--------------|------------|
| CTC-1665295 | 2-3/4 | 0.19 | \$45.39 |
| CTC-4T8054 | 3-1/2 | 0.19 | 34.15 |
| CTC-2613644 | 3-3/4 | 0.19 | 42.37 |
| CTC-8C9160 | 4 | 0.25 | 44.06 |
| CTC-9X7269 | 4-1/2 | 0.25 | 64.54 |
| CTC-4T8588 | 4 3/4 | 0.25 | 75.64 |
| CTC-9X7264 | 5 | 0.38 | 61.30 |
| CTC-1546744 | 5-3/8 | 0.38 | 67.80 |
| CTC-8T0763 | 5-1/4 | 0.38 | 80.82 |
| CTC-6E0465 | 5-1/2 | 0.38 | 66.56 |
| CTC-4T5173 | 5-1/2 | 0.63 | 52.72 |
| CTC-1921441 | 6 | 0.63 | 57.24 |
| CTC-4T4144 | 6 | 0.63 | 57.24 |
| CTC-8T1788 | 6 1/4 | 0.63 | 76.51 |
| CTC-4T8695 | 6-1/2 | 0.63 | 51.15 |
| CTC-8T1789 | 7 | 0.63 | 59.96 |
| CTC-1921439 | 7-1/2 | 0.63 | 115.07 |
| CTC-8T1791 | 7-1/2 | 0.63 | 115.07 |
| CTC-9X7459 | 7-1/2 | 0.63 | 115.07 |
| CTC-8T1792 | 7-3/4 | 0.63 | 63.44 |
| CTC-9T0119 | 8-1/2 | 0.63 | 76.55 |
| CTC-8T1793 | 8-1/4 | 0.63 | 80.91 |
| CTC-1921435 | 9-1/4 | 0.38 | 135.73 |
| CTC-4T4143 | 9-1/4 | 0.38 | 135.73 |
| CTC-1723542 | 10 | 0.69 | 120.69 |
| CTC-8T1794 | 10 | 0.69 | 120.69 |
| CTC-8T1796 | 10-1/2 | 0.69 | 131.31 |
| CTC-1080125 | 11 | 0.69 | 100.12 |
| CTC-8T1797 | 11-1/2 | 0.69 | 154.63 |
| CTC-1921453 | 12-1/2 | 0.69 | 232.42 |
| CTC-1846970 | 75 mm | | 80.61 |
| CTC-1841687 | 85 mm | | 44.11 |
| CTC-2332585 | 100 mm | 6.30 mm | 42.56 |
| CTC-9X7298 | 100 mm | 7.24 mm | 71.78 |

2 PIECE STEP-CUT PISTON SEALS

| Part Number | Bore Dia. | Groove Width | List Price |
|-------------|-----------|--------------|------------|
| CTC-9X7301 | 110 mm | 7.24 mm | \$74.75 |
| CTC-9X3589 | 115 mm | 7.24 mm | 54.57 |
| CTC-4958191 | 120 mm | 7,24 mm | 74.84 |
| CTC-9X3592 | 120 mm | 7.24 mm | 77.08 |
| CTC-9X3595 | 130 mm | 7.24 mm | 30.43 |
| CTC-2371934 | 135 mm | 7.24 mm | 139.64 |
| CTC-9X3598 | 140 mm | 9.63 mm | 92.25 |
| CTC-4958212 | 150 mm | 9.63 mm | 85.86 |
| CTC-9X3601 | 150 mm | 9.63 mm | 85.86 |
| CTC-9X3604 | 160 mm | 9.63 mm | 70.43 |
| CTC-5062321 | 160 mm | 9.63 mm | 70.43 |
| CTC-9X3607 | 170 mm | 9.63 mm | 99.64 |
| CTC-5062322 | 170 mm | 9.63 mm | 99.64 |
| CTC-9X3610 | 180 mm | 9.63 mm | 75.42 |
| CTC-1251286 | 190 mm | 9.63 mm | 82.27 |
| CTC-4958218 | 190 mm | 9.63 mm | 82.27 |
| CTC-1723918 | 210 mm | 9.63 mm | 55.30 |
| CTC-1921425 | 220 mm | 9.63 mm | 97.18 |
| CTC-8C9182 | 220 mm | 9.63 mm | 97.18 |

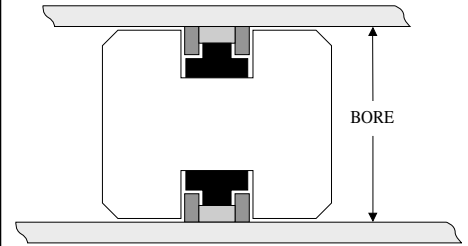
3 PIECE PISTON SEALS

| Part Number | Rod Dia. | List Price |
|----------------|----------|------------|
| CTC-0556510010 | 100 mm | \$42.29 |

5 PIECE PISTON SEALS

| Part Number | Bore Dia. | List Price |
|---------------|-----------|------------|
| CTC-0931488 | 90 mm | \$150.35 |
| CTC-5W6382 | 110 mm | 30.67 |
| CTC-A04601216 | 120 mm | 193.25 |
| CTC-8Q5983 | 140 mm | 51.50 |
| CTC-1843474 | 150 mm | 44.28 |

CAPPED PISTON T-SEALS



| Part Number | Bore Dia. | List Price |
|---------------|-----------|------------|
| CTC-8J3747 | 4-1/2 | \$130.82 |
| CTC-9J7868 | 5 | 159.85 |
| CTC-8J8767 | 5-1/2 | 179.36 |
| CTC-9J1242 | 6 | 187.41 |
| CTC-9J5558 | 6-1/4 | 191.42 |
| CTC-8J8703 | 6-1/2 | 211.20 |
| CTC-8J3749 | 7 | 217.78 |
| CTC-8J4510 | 7-1/4 | 224.85 |
| CTC-9J5567 | 7-1/2 | 228.01 |
| CTC-8J5644 | 7-3/4 | 237.55 |
| CTC-8J4390 | 8-1/4 | 253.41 |
| CTC-3G4762 | 8-1/2 | 313.70 |
| CTC-9J3406 | 10 | 315.35 |
| CTC-3G4765 | 10-1/2 | 340.59 |
| CTC-9J2987 | 11-1/2 | 387.67 |
| CTC-2508729 | 75 mm | 58.94 |
| CTC-0996998 | 80 mm | 66.07 |
| CTC-1231669 | 85 mm | 75.95 |
| CTC-2639886 | 85 mm | 75.95 |
| CTC-0996973 | 90 mm | 74.43 |
| CTC-2773389 | 95 mm | 75.95 |
| CTC-3049305 | 95 mm | 75.95 |
| CTC-5I5928 | 100 mm | 80.41 |
| CTC-0996922 | 110 mm | 85.57 |
| CTC-4161280 | 110 mm | 85.57 |
| CTC-A04601713 | 110 mm | 85.57 |
| CTC-3825838 | 120 mm | 89.18 |
| CTC-4161291 | 120 mm | 89.18 |
| CTC-5391744 | 160 mm | 149.92 |
| CTC-A04601719 | 160 mm | 149.92 |

REPLACEMENT PARTS FOR CATERPILLAR® EQUIPMENT

NOTE: CATERPILLAR kit numbers are used as a reference only. We do not imply that these kits are original REPLACEMENT PARTS.

NON CATERPILLAR PISTON SEALS

| Part Number | Bore Dia. | List Price |
|-------------|-----------|------------|
| CTC-3E4244 | 1 | \$5.13 |
| CTC-3E4245 | 1-1/8 | 6.84 |
| CTC-3E4246 | 1-1/4 | 5.66 |
| CTC-3E4247 | 1-1/2 | 5.89 |
| CTC-3E4248 | 1-5/8 | 5.99 |
| CTC-3E4249 | 1-3/4 | 6.14 |
| CTC-3E4250 | 2 | 6.37 |
| CTC-3E4251 | 2-1/4 | 6.62 |
| CTC-3E4252 | 2-1/2 | 6.70 |
| CTC-3E4253 | 2-3/4 | 6.76 |
| CTC-3E4254 | 3 | 6.96 |
| CTC-3E4255 | 3-1/4 | 7.07 |
| CTC-3E4256 | 3-1/2 | 7.27 |

BACK-UP RINGS

| Part Number | Min. Pkgs. | List Price |
|-------------|------------|------------|
| CTC-0300167 | 10 | \$2.33 |
| CTC-0306121 | 25 | 0.46 |
| CTC-0306141 | 5 | 3.91 |
| CTC-0875391 | 1 | 20.67 |
| CTC-0875397 | 1 | 74.40 |
| CTC-0875436 | 1 | 16.06 |
| CTC-0875510 | 1 | 15.42 |
| CTC-0875550 | 1 | 18.40 |
| CTC-0931512 | 1 | 7.82 |
| CTC-0931513 | 1 | 10.45 |
| CTC-0931515 | 1 | 17.35 |
| CTC-0931518 | 1 | 26.39 |
| CTC-0931519 | 1 | 29.64 |
| CTC-0951783 | 1 | 3.14 |
| CTC-0951786 | 1 | 3.14 |
| CTC-0951789 | 1 | 3.14 |
| CTC-0951796 | 1 | 9.07 |
| CTC-0961054 | 1 | 55.28 |
| CTC-0961055 | 1 | 13.08 |
| CTC-0961566 | 1 | 15.42 |
| CTC-0961568 | 1 | 15.79 |

BACK-UP RINGS

| Part Number | Min. Pkgs. | List Price |
|-------------|------------|------------|
| CTC-0961588 | 1 | \$15.79 |
| CTC-0962665 | 1 | 18.38 |
| CTC-0963467 | 1 | 27.59 |
| CTC-0963964 | 1 | 15.42 |
| CTC-0964275 | 1 | 9.27 |
| CTC-0964276 | 1 | 3.59 |
| CTC-0990172 | 1 | 7.66 |
| CTC-0990173 | 1 | 4.51 |
| CTC-0990660 | 1 | 12.78 |
| CTC-0990681 | 1 | 14.02 |
| CTC-0990699 | 1 | 18.94 |
| CTC-0993204 | 1 | 15.79 |
| CTC-0995399 | 1 | 14.49 |
| CTC-0996974 | 1 | 10.73 |
| CTC-0996999 | 1 | 41.88 |
| CTC-0997000 | 1 | 14.28 |
| CTC-0997030 | 1 | 3.14 |
| CTC-1011983 | 1 | 3.24 |
| CTC-1035754 | 5 | 3.91 |
| CTC-1052578 | 1 | 15.79 |
| CTC-1052579 | 1 | 15.62 |
| CTC-1052583 | 1 | 14.45 |
| CTC-1057360 | 1 | 15.14 |
| CTC-1057375 | 1 | 15.42 |
| CTC-1057393 | 1 | 12.45 |
| CTC-1076255 | 1 | 18.38 |
| CTC-1076258 | 1 | 28.59 |
| CTC-1076262 | 1 | 17.08 |
| CTC-1079308 | 1 | 14.11 |
| CTC-1140706 | 1 | 18.58 |
| CTC-1140711 | 1 | 18.38 |
| CTC-1211372 | 1 | 18.38 |
| CTC-1211595 | 1 | 28.23 |
| CTC-1211603 | 1 | 28.29 |
| CTC-1214160 | 1 | 13.87 |
| CTC-1220440 | 1 | 16.70 |
| CTC-1238614 | 1 | 17.34 |
| CTC-1259695 | 1 | 22.61 |
| CTC-1261978 | 1 | 22.30 |
| CTC-1336716 | 1 | 14.80 |

BACK-UP RINGS

| Part Number | Min. Pkgs. | List Price |
|-------------|------------|------------|
| CTC-1336914 | 1 | \$15.79 |
| CTC-1362445 | 1 | 15.10 |
| CTC-1373660 | 1 | 64.44 |
| CTC-1400233 | 3 | 4.57 |
| CTC-1407652 | 1 | 16.06 |
| CTC-1475771 | 1 | 52.47 |
| CTC-1505827 | 1 | 68.03 |
| CTC-1505842 | 1 | 15.14 |
| CTC-1505844 | 1 | 11.83 |
| CTC-1522461 | 1 | 14.49 |
| CTC-1540731 | 1 | 15.79 |
| CTC-1540738 | 1 | 18.38 |
| CTC-1540751 | 1 | 15.79 |
| CTC-1540763 | 1 | 18.38 |
| CTC-1540769 | 1 | 48.29 |
| CTC-1559098 | 1 | 27.99 |
| CTC-1559193 | 1 | 47.07 |
| CTC-1576961 | 1 | 55.04 |
| CTC-1577244 | 1 | 56.84 |
| CTC-1577245 | 1 | 79.85 |
| CTC-1583026 | 1 | 7.99 |
| CTC-1583027 | 1 | 27.50 |
| CTC-1583028 | 1 | 11.74 |
| CTC-1583030 | 1 | 110.55 |
| CTC-1583031 | 1 | 40.38 |
| CTC-1583032 | 1 | 99.27 |
| CTC-1583033 | 1 | 52.66 |
| CTC-1607550 | 1 | 0.97 |
| CTC-1627209 | 1 | 5.72 |
| CTC-1627210 | 1 | 43.81 |
| CTC-1663002 | 1 | 14.45 |
| CTC-1667726 | 1 | 29.34 |
| CTC-1682271 | 5 | 2.49 |
| CTC-1704746 | 1 | 33.49 |
| CTC-1704748 | 1 | 54.13 |
| CTC-1704749 | 1 | 28.53 |
| CTC-1754726 | 1 | 7.75 |
| CTC-1764889 | 1 | 8.38 |
| CTC-1793047 | 1 | 34.44 |
| CTC-1793048 | 1 | 30.01 |

REPLACEMENT PARTS FOR CATERPILLAR® EQUIPMENT

NOTE: CATERPILLAR kit numbers are used as a reference only. We do not imply that these kits are original REPLACEMENT PARTS.

BACK-UP RINGS

| Part Number | Min. Pkgs. | List Price |
|-------------|------------|------------|
| CTC-1843478 | 1 | \$2.72 |
| CTC-1850347 | 1 | 3.14 |
| CTC-1850348 | 1 | 3.75 |
| CTC-1890215 | 2 | 7.88 |
| CTC-1915647 | 1 | 43.70 |
| CTC-1920624 | 1 | 12.00 |
| CTC-1920676 | 1 | 10.47 |
| CTC-1921160 | 1 | 12.79 |
| CTC-1921169 | 1 | 21.59 |
| CTC-1922048 | 1 | 25.04 |
| CTC-1922051 | 1 | 18.92 |
| CTC-1922056 | 1 | 78.03 |
| CTC-1922057 | 1 | 174.55 |
| CTC-1922093 | 1 | 2.70 |
| CTC-1930788 | 1 | 32.73 |
| CTC-1930791 | 1 | 13.64 |
| CTC-1931373 | 1 | 36.18 |
| CTC-1931396 | 1 | 14.13 |
| CTC-1931806 | 1 | 18.94 |
| CTC-1934315 | 1 | 14.45 |
| CTC-1948355 | 1 | 18.38 |
| CTC-1948365 | 1 | 18.38 |
| CTC-1980661 | 1 | 32.73 |
| CTC-1982640 | 1 | 20.34 |
| CTC-1982643 | 1 | 17.44 |
| CTC-1982644 | 1 | 14.11 |
| CTC-1989418 | 1 | 3.16 |
| CTC-1K7095 | 4 | 3.07 |
| CTC-1K7098 | 5 | 2.49 |
| CTC-1S0668 | 6 | 1.72 |
| CTC-1S0669 | 5 | 2.01 |
| CTC-1S0670 | 8 | 1.30 |
| CTC-1U1101 | 2 | 9.15 |
| CTC-1U1626 | 1 | 8.02 |
| CTC-1U1738 | 2 | 6.10 |
| CTC-1U1770 | 2 | 6.85 |
| CTC-1U3173 | 2 | 6.61 |
| CTC-1U3307 | 2 | 6.85 |
| CTC-2034021 | 1 | 36.18 |
| CTC-2034037 | 1 | 32.73 |

BACK-UP RINGS

| Part Number | Min. Pkgs. | List Price |
|-------------|------------|------------|
| CTC-2047232 | 1 | \$23.28 |
| CTC-2047235 | 1 | 7.20 |
| CTC-2057951 | 1 | 14.49 |
| CTC-2151942 | 3 | 2.81 |
| CTC-2159864 | 1 | 56.39 |
| CTC-2168095 | 1 | 13.08 |
| CTC-2199051 | 1 | 16.52 |
| CTC-2213541 | 4 | 3.25 |
| CTC-2332599 | 10 | 1.72 |
| CTC-2344487 | 1 | 28.36 |
| CTC-2344581 | 1 | 3.58 |
| CTC-2344584 | 1 | 15.75 |
| CTC-2376124 | 1 | 14.07 |
| CTC-2377078 | 1 | 7.75 |
| CTC-2378378 | 1 | 14.28 |
| CTC-2394394 | 1 | 32.89 |
| CTC-2434567 | 1 | 33.93 |
| CTC-2443838 | 6 | 1.44 |
| CTC-2448826 | 5 | 2.07 |
| CTC-2462899 | 1 | 36.29 |
| CTC-2508718 | 1 | 10.47 |
| CTC-2590654 | 1 | 15.79 |
| CTC-2593174 | 1 | 5.86 |
| CTC-2593176 | 1 | 2.72 |
| CTC-2639883 | 1 | 14.28 |
| CTC-2725643 | 1 | 41.88 |
| CTC-2725680 | 1 | 36.18 |
| CTC-2773386 | 1 | 14.49 |
| CTC-2774933 | 1 | 14.49 |
| CTC-2788633 | 1 | 14.07 |
| CTC-2803114 | 1 | 14.49 |
| CTC-2883777 | 1 | 3.69 |
| CTC-2970832 | 1 | 49.06 |
| CTC-2J0744 | 2 | 9.01 |
| CTC-2J3961 | 3 | 3.47 |
| CTC-2J4066 | 5 | 2.01 |
| CTC-2J7767 | 3 | 4.01 |
| CTC-2K2940 | 2 | 6.56 |
| CTC-2K2961 | 3 | 4.57 |
| CTC-2K3258 | 2 | 5.46 |

BACK-UP RINGS

| Part Number | Min. Pkgs. | List Price |
|-------------|------------|------------|
| CTC-2K4096 | 3 | \$3.69 |
| CTC-2K4473 | 2 | 5.92 |
| CTC-2K6830 | 5 | 2.49 |
| CTC-2K8256 | 2 | 5.78 |
| CTC-2Y8973 | 6 | 2.00 |
| CTC-3165388 | 1 | 18.08 |
| CTC-3292586 | 1 | 0.72 |
| CTC-3292587 | 1 | 0.90 |
| CTC-3292588 | 1 | 0.97 |
| CTC-3292589 | 1 | 1.27 |
| CTC-3292591 | 1 | 1.12 |
| CTC-3659197 | 1 | 25.67 |
| CTC-3660231 | 1 | 50.40 |
| CTC-3706665 | 1 | 28.51 |
| CTC-3825752 | 1 | 15.14 |
| CTC-3825758 | 1 | 3.59 |
| CTC-3825784 | 1 | 14.49 |
| CTC-3825814 | 1 | 14.28 |
| CTC-3825819 | 1 | 3.28 |
| CTC-3825836 | 1 | 15.42 |
| CTC-3825841 | 1 | 4.70 |
| CTC-3C3239 | 10 | 1.40 |
| CTC-3E6783 | 1 | 7.52 |
| CTC-3E6784 | 1 | 8.23 |
| CTC-3E6795 | 1 | 26.99 |
| CTC-3G3747 | 2 | 6.70 |
| CTC-3J2688 | 1 | 9.84 |
| CTC-3J8466 | 1 | 9.63 |
| CTC-3J9742 | 2 | 7.35 |
| CTC-3K7219 | 9 | 1.20 |
| CTC-3K7863 | 9 | 1.14 |
| CTC-3K8692 | 9 | 1.20 |
| CTC-3K8699 | 10 | 1.25 |
| CTC-3P1204 | 8 | 1.30 |
| CTC-3P1205 | 8 | 1.20 |
| CTC-3P1206 | 5 | 2.31 |
| CTC-3P1207 | 7 | 1.58 |
| CTC-4153107 | 1 | 45.45 |
| CTC-4153109 | 1 | 12.78 |
| CTC-4161319 | 1 | 15.79 |

REPLACEMENT PARTS FOR CATERPILLAR® EQUIPMENT

NOTE: CATERPILLAR kit numbers are used as a reference only. We do not imply that these kits are original REPLACEMENT PARTS.

BACK-UP RINGS

| Part Number | Min. Pkgs. | List Price |
|-------------|------------|------------|
| CTC-4161275 | 1 | \$45.16 |
| CTC-4161278 | 5 | 2.11 |
| CTC-4161286 | 1 | 38.44 |
| CTC-4161289 | 3 | 2.95 |
| CTC-4161297 | 1 | 25.61 |
| CTC-4161300 | 5 | 2.11 |
| CTC-4161314 | 1 | 71.85 |
| CTC-4173740 | 1 | 3.92 |
| CTC-4205767 | 1 | 25.48 |
| CTC-4I3615 | 1 | 13.13 |
| CTC-4I3627 | 1 | 16.93 |
| CTC-4I3631 | 1 | 17.08 |
| CTC-4I6330 | 1 | 23.31 |
| CTC-4I6442 | 1 | 25.63 |
| CTC-4J1151 | 1 | 10.12 |
| CTC-4J6557 | 2 | 9.15 |
| CTC-4J9218 | 2 | 6.46 |
| CTC-4J9219 | 5 | 2.00 |
| CTC-4J9220 | 5 | 2.49 |
| CTC-4J9221 | 4 | 3.37 |
| CTC-4J9223 | 2 | 5.92 |
| CTC-4J9224 | 6 | 1.72 |
| CTC-4J9225 | 7 | 1.58 |
| CTC-4K4759 | 9 | 1.14 |
| CTC-4T3107 | 2 | 6.88 |
| CTC-4T5072 | 4 | 3.61 |
| CTC-4T5929 | 1 | 24.91 |
| CTC-5I6063 | 1 | 14.45 |
| CTC-5391746 | 2 | 5.86 |
| CTC-5J0604 | 2 | 5.23 |
| CTC-5J0605 | 10 | 1.40 |
| CTC-5J3934 | 5 | 2.41 |
| CTC-5J6444 | 2 | 8.03 |
| CTC-5J7865 | 5 | 2.49 |
| CTC-5K7865 | 5 | 2.49 |
| CTC-5P0909 | 3 | 4.57 |
| CTC-5P0910 | 4 | 3.16 |
| CTC-5P0911 | 6 | 1.90 |
| CTC-5P2134 | 8 | 1.40 |
| CTC-5P2199 | 10 | 1.25 |

BACK-UP RINGS

| Part Number | Min. Pkgs. | List Price |
|-------------|------------|------------|
| CTC-5P3235 | 2 | \$6.88 |
| CTC-5P7857 | 9 | 1.14 |
| CTC-5P7858 | 9 | 1.14 |
| CTC-5P8208 | 10 | 1.25 |
| CTC-5P8921 | 4 | 3.37 |
| CTC-5P9685 | 8 | 1.25 |
| CTC-5P9686 | 8 | 1.40 |
| CTC-5P9687 | 8 | 1.40 |
| CTC-5U6910 | 1 | 6.56 |
| CTC-6E0358 | 25 | 0.57 |
| CTC-6J1021 | 10 | 1.40 |
| CTC-6J1381 | 6 | 1.72 |
| CTC-6J2418 | 8 | 1.40 |
| CTC-6J2420 | 7 | 1.58 |
| CTC-6J5731 | 7 | 1.58 |
| CTC-6U3042 | 3 | 4.65 |
| CTC-6U4789 | 1 | 4.64 |
| CTC-6U5640 | 3 | 2.98 |
| CTC-6V1555 | 7 | 1.58 |
| CTC-6V1556 | 8 | 1.30 |
| CTC-6V1557 | 10 | 1.25 |
| CTC-6V1558 | 7 | 1.58 |
| CTC-6V1941 | 8 | 1.20 |
| CTC-6V3299 | 8 | 1.40 |
| CTC-6V3300 | 8 | 1.40 |
| CTC-6V3580 | 1 | 10.53 |
| CTC-6V3838 | 9 | 1.14 |
| CTC-6V3956 | 9 | 1.14 |
| CTC-6V5658 | 1 | 5.39 |
| CTC-6V6923 | 6 | 2.40 |
| CTC-7I7734 | 1 | 3.59 |
| CTC-7J4823 | 1 | 9.23 |
| CTC-7J6287 | 10 | 1.40 |
| CTC-7J6288 | 8 | 1.25 |
| CTC-7J8955 | 2 | 6.10 |
| CTC-7U2449 | 25 | 0.47 |
| CTC-7X4757 | 2 | 6.85 |
| CTC-7X4776 | 25 | 0.47 |
| CTC-7X4807 | 2 | 5.46 |
| CTC-7Y1257 | 1 | 13.58 |

BACK-UP RINGS

| Part Number | Min. Pkgs. | List Price |
|---------------|------------|------------|
| CTC-7Y1884 | 1 | \$16.99 |
| CTC-7Y4217 | 1 | 3.14 |
| CTC-7Y4628 | 1 | 68.03 |
| CTC-7Y4633 | 1 | 15.10 |
| CTC-7Y4669 | 1 | 66.30 |
| CTC-7Y4673 | 1 | 17.44 |
| CTC-7Y4941 | 1 | 18.38 |
| CTC-7Y4945 | 1 | 20.34 |
| CTC-7Y5116 | 1 | 64.59 |
| CTC-8C9188 | 1 | 58.37 |
| CTC-8C9192 | 1 | 56.39 |
| CTC-8I1735 | 1 | 6.01 |
| CTC-8J0548 | 2 | 6.10 |
| CTC-8J1666 | 2 | 6.10 |
| CTC-8J1689 | 3 | 4.30 |
| CTC-8J1717 | 2 | 5.17 |
| CTC-8J2574 | 6 | 1.72 |
| CTC-8J3752 | 4 | 3.05 |
| CTC-8J4385 | 2 | 6.10 |
| CTC-8J8880 | 1 | 10.24 |
| CTC-8Q5979 | 1 | 4.30 |
| CTC-8T8434 | 1 | 5.04 |
| CTC-9J0240 | 9 | 1.14 |
| CTC-9J0705 | 10 | 0.47 |
| CTC-9J0707 | 5 | 2.91 |
| CTC-9J7861 | 3 | 3.59 |
| CTC-9T8761 | 5 | 3.24 |
| CTC-9X4596 | 1 | 10.24 |
| CTC-9X4615 | 1 | 10.82 |
| CTC-9X7273 | 2 | 6.10 |
| CTC-9X7278 | 4 | 3.37 |
| CTC-9X7279 | 3 | 3.59 |
| CTC-A04700312 | 1 | 12.78 |
| CTC-A04700313 | 1 | 14.02 |
| CTC-A04700414 | 1 | 47.57 |
| CTC-A04700415 | 1 | 13.08 |
| CTC-A04700416 | 1 | 13.08 |
| CTC-A04700417 | 1 | 38.44 |
| CTC-A04700712 | 1 | 12.78 |

REPLACEMENT PARTS FOR CATERPILLAR® EQUIPMENT

NOTE: CATERPILLAR kit numbers are used as a reference only. We do not imply that these kits are original REPLACEMENT PARTS.

CUSHION SEALS

| Part Number | List Price |
|-------------|------------|
| CTC-0855864 | \$23.36 |
| CTC-0861089 | 37.60 |
| CTC-0875389 | 44.47 |
| CTC-0995359 | 38.51 |
| CTC-0998282 | 30.92 |
| CTC-0998297 | 59.78 |
| CTC-1038341 | 39.65 |
| CTC-1052581 | 31.46 |
| CTC-1057265 | 31.76 |
| CTC-1076260 | 59.78 |
| CTC-1076266 | 31.08 |
| CTC-1163519 | 49.37 |
| CTC-1211997 | 6.31 |
| CTC-1261870 | 37.26 |
| CTC-1261876 | 27.57 |
| CTC-1261879 | 33.24 |
| CTC-1261935 | 40.31 |
| CTC-1505830 | 41.86 |
| CTC-1559096 | 14.71 |
| CTC-1559187 | 20.42 |
| CTC-1859050 | 41.09 |
| CTC-1859051 | 17.81 |
| CTC-1859084 | 6.31 |
| CTC-1913128 | 36.80 |
| CTC-1915706 | 43.09 |
| CTC-1931369 | 7.68 |
| CTC-2003620 | 44.47 |
| CTC-2144501 | 27.57 |
| CTC-2163418 | 14.59 |
| CTC-2316805 | 39.61 |
| CTC-2316843 | 43.09 |
| CTC-2426833 | 36.71 |
| CTC-2445323 | 41.86 |
| CTC-2478789 | 28.51 |
| CTC-2478791 | 35.95 |
| CTC-2478829 | 28.83 |
| CTC-2667859 | 23.43 |
| CTC-2725637 | 28.62 |
| CTC-2789128 | 9.62 |

CUSHION SEALS

| Part Number | List Price |
|---------------|------------|
| CTC-2835971 | \$7.00 |
| CTC-2835972 | 21.21 |
| CTC-2897921 | 37.05 |
| CTC-3145910 | 6.31 |
| CTC-3995128 | 62.58 |
| CTC-4161281 | 6.76 |
| CTC-4161293 | 3.61 |
| CTC-4161294 | 3.22 |
| CTC-4161316 | 10.31 |
| CTC-518516 | 38.26 |
| CTC-616784 | 37.60 |
| CTC-616785 | 43.34 |
| CTC-616786 | 36.90 |
| CTC-616787 | 35.95 |
| CTC-616790 | 40.76 |
| CTC-616791 | 41.20 |
| CTC-616921 | 41.09 |
| CTC-616922 | 38.51 |
| CTC-616970 | 31.08 |
| CTC-711352 | 37.26 |
| CTC-7Y4665 | 38.26 |
| CTC-D35310900 | 40.42 |

COTTER PINS

| Part Number | List Price |
|-------------|------------|
| CTC-8C9016 | \$91.88 |

PISTON CUPS

| Part Number | Bore Dia. | List Price |
|-------------|-----------|------------|
| CTC-3H2665 | 4 | \$265.33 |

PISTON RINGS

| Part Number | Bore Dia. | List Price |
|-------------|-----------|------------|
| CTC-2529518 | 4 | \$12.57 |
| CTC-1667430 | 5 mm | 14.54 |
| CTC-3866087 | 5-1/2 | 46.97 |

PISTON U-SEALS

| Part Number | Bore Dia. | List Price |
|-------------|-----------|------------|
| CTC-1248364 | 7 | \$64.41 |

D-RINGS

| Part Number | I.D. | List Price |
|-------------|---------|------------|
| CTC-1P3700 | 19 mm | \$1.89 |
| CTC-1P3702 | 25.4 mm | 2.13 |
| CTC-1P3703 | 31.9 mm | 2.55 |
| CTC-1P3704 | 38.2 mm | 2.75 |
| CTC-1P3705 | 44.7 mm | 2.94 |
| CTC-1P3706 | 51.1 mm | 3.16 |
| CTC-1P3707 | 54.2 mm | 3.22 |
| CTC-1P3708 | 57.4 mm | 3.41 |
| CTC-1P3709 | 63.9 mm | 3.59 |

DUST SEALS

| Part Number | Rod Dia. | List Price |
|-------------|----------|------------|
| CTC-1920638 | 40 mm | \$10.14 |
| CTC-0931430 | 45 mm | 5.88 |
| CTC-2725665 | 45 mm | 5.88 |
| CTC-2774134 | 45 mm | 5.88 |
| CTC-2725645 | 50 mm | 6.68 |
| CTC-2773392 | 50 mm | 6.68 |
| CTC-0931432 | 55 mm | 13.71 |
| CTC-3825771 | 60 mm | 16.45 |

HEAD SEALS

| Part Number | List Price |
|-------------|------------|
| CTC-8C9016 | \$91.88 |
| CTC-1095260 | 3.36 |
| CTC-1095717 | 18.79 |

SWIVEL SEALS

| Part Number | List Price |
|-------------|------------|
| CTC-1597782 | \$43.25 |

REPLACEMENT PARTS FOR CATERPILLAR® EQUIPMENT

NOTE: CATERPILLAR kit numbers are used as a reference only. We do not imply that these kits are original REPLACEMENT PARTS.

OVERSIZED HEAD SEALS

| Part Number | Bore Dia. | List Price |
|-------------|-----------|------------|
| CTC-8C4889 | 2-1/2 | \$11.82 |
| CTC-8T8367 | 3 | 11.96 |
| CTC-8T8367 | 3-3/4 | 11.96 |
| CTC-8T8373 | 4-3/4 | 15.33 |
| CTC-8T8374 | 5 | 15.63 |
| CTC-8T8376 | 5-1/2 | 16.20 |
| CTC-8T8377 | 6 | 16.75 |
| CTC-8T8379 | 6-1/2 | 17.29 |
| CTC-8T8380 | 7 | 17.87 |
| CTC-8T8381 | 7-1/4 | 18.20 |
| CTC-8C0553 | 7-1/2 | 16.77 |
| CTC-8C4892 | 7-3/4 | 18.72 |
| CTC-8T8382 | 8-1/4 | 19.17 |
| CTC-8C4893 | 8-1/2 | 80.05 |
| CTC-8C4896 | 10-1/4 | 24.38 |
| CTC-8C4897 | 10-1/2 | 29.02 |
| CTC-8C4898 | 11-1/2 | 39.61 |

OIL SEALS

| Part Number | List Price |
|-------------|------------|
| CTC-1J2150 | \$31.82 |
| CTC-4F4584 | 7.65 |
| CTC-4N1584 | 10.19 |

SHIMS

| Part Number | List Price |
|-------------|------------|
| CTC-0964441 | \$17.98 |
| CTC-0964477 | 16.76 |
| CTC-0965741 | 14.71 |
| CTC-1076265 | 14.71 |

RETAINER RINGS

| Part Number | List Price |
|-------------|------------|
| CTC-0950930 | \$3.06 |
| CTC-1362444 | 10.50 |
| CTC-1H8397 | 4.85 |
| CTC-1L4775 | 4.11 |
| CTC-2D0830 | 10.56 |
| CTC-7M2275 | 13.19 |
| CTC-7Y0976 | 9.33 |
| CTC-7Y5119 | 23.73 |
| CTC-8H8024 | 8.90 |
| CTC-9H5604 | 8.98 |
| CTC-9H7668 | 1.72 |

ROD BUSHINGS

| Part Number | Rod Dia. | List Price |
|-------------|----------|------------|
| CTC-1890593 | 1-1/4 | \$15.68 |
| CTC-2782248 | 1-1/2 | 17.55 |
| CTC-1934637 | 3-1/2 | 109.26 |
| CTC-9X3613 | 6 | 89.39 |
| CTC-8C9102 | 6-1/2 | 73.17 |
| CTC-1809932 | 7 | 135.98 |
| CTC-8T7692 | 7 | 427.72 |
| CTC-6E0173 | 7-1/4 | 56.06 |
| CTC-1U4626 | 11 | 1146.69 |
| CTC-5764153 | 30 mm | 8.93 |
| CTC-2032343 | 35 mm | 11.32 |
| CTC-2965140 | 35 mm | 10.43 |
| CTC-5767333 | 35 mm | 9.90 |
| CTC-3108780 | 40 mm | 11.58 |
| CTC-3232465 | 40 mm | 13.95 |
| CTC-2378377 | 45 mm | 21.38 |
| CTC-2965141 | 45 mm | 11.84 |
| CTC-2218270 | 50 mm | 19.72 |
| CTC-2774132 | 50 mm | 19.72 |
| CTC-3232467 | 50 mm | 27.13 |
| CTC-3512184 | 50 mm | 24.36 |
| CTC-1140752 | 55 mm | 23.29 |
| CTC-2725641 | 55 mm | 17.41 |
| CTC-2725664 | 55 mm | 23.29 |
| CTC-3825813 | 55 mm | 23.29 |
| CTC-1140751 | 60 mm | 30.71 |
| CTC-3232470 | 60 mm | 34.10 |
| CTC-3825783 | 60 mm | 23.67 |
| CTC-1140754 | 65 mm | 32.58 |

ROD BUSHINGS

| Part Number | Rod Dia. | List Price |
|-------------|----------|------------|
| CTC-1460742 | 65 mm | \$17.42 |
| CTC-3232474 | 65 mm | 59.85 |
| CTC-1140753 | 70 mm | 37.46 |
| CTC-3904158 | 70 mm | 31.10 |
| CTC-3232476 | 70 mm | 41.07 |
| CTC-3825751 | 70 mm | 37.46 |
| CTC-1140750 | 75 mm | 39.31 |
| CTC-1148836 | 75 mm | 43.17 |
| CTC-3937931 | 75 mm | 34.41 |
| CTC-1140755 | 80 mm | 43.12 |
| CTC-1505839 | 80 mm | 39.67 |
| CTC-3852900 | 80 mm | 39.67 |
| CTC-0931824 | 85 mm | 47.03 |
| CTC-0964402 | 85 mm | 44.04 |
| CTC-1140756 | 85 mm | 47.03 |
| CTC-3852934 | 85 mm | 44.04 |
| CTC-1052575 | 90 mm | 42.49 |
| CTC-1140758 | 90 mm | 54.25 |
| CTC-3512182 | 90 mm | 67.91 |
| CTC-0964430 | 95 mm | 47.85 |
| CTC-1289260 | 95 mm | 56.30 |
| CTC-3852931 | 95 mm | 46.81 |
| CTC-6C6093 | 95 mm | 60.58 |
| CTC-7Y4625 | 95 mm | 56.30 |
| CTC-0931826 | 100 mm | 66.11 |
| CTC-0965625 | 100 mm | 65.58 |
| CTC-1140757 | 100 mm | 66.11 |
| CTC-0995572 | 105 mm | 56.41 |
| CTC-1140760 | 105 mm | 72.04 |
| CTC-1140761 | 110 mm | 114.55 |
| CTC-1140762 | 110 mm | 107.24 |
| CTC-1915644 | 115 mm | 102.23 |
| CTC-1140763 | 130 mm | 109.42 |
| CTC-1289261 | 140 mm | 137.28 |
| CTC-1559100 | 145 mm | 144.10 |
| CTC-1289262 | 150 mm | 138.36 |

REPLACEMENT PARTS FOR CATERPILLAR® EQUIPMENT

NOTE: CATERPILLAR kit numbers are used as a reference only. We do not imply that these kits are original REPLACEMENT PARTS.

O-RINGS

| Part Number | Min. Pkgs. | List Price |
|-------------|------------|------------|
| CTC-0032770 | 1 | \$5.55 |
| CTC-0038137 | 50 | 0.16 |
| CTC-0041963 | 20 | 0.48 |
| CTC-0041964 | 20 | 0.63 |
| CTC-0058592 | 50 | 0.35 |
| CTC-0058593 | 20 | 0.40 |
| CTC-0068350 | 1 | 6.62 |
| CTC-0068352 | 10 | 1.05 |
| CTC-0082103 | 50 | 0.37 |
| CTC-0092061 | 3 | 3.25 |
| CTC-0304605 | 50 | 0.14 |
| CTC-0304606 | 10 | 1.16 |
| CTC-0314392 | 5 | 3.21 |
| CTC-0329714 | 20 | 0.75 |
| CTC-0329882 | 20 | 0.39 |
| CTC-0335853 | 10 | 1.44 |
| CTC-0335879 | 1 | 0.54 |
| CTC-0336027 | 10 | 2.45 |
| CTC-0336031 | 2 | 5.88 |
| CTC-0336032 | 15 | 0.89 |
| CTC-0336033 | 20 | 0.54 |
| CTC-0336034 | 10 | 1.26 |
| CTC-0336038 | 3 | 4.08 |
| CTC-0336039 | 15 | 1.04 |
| CTC-0336041 | 10 | 2.00 |
| CTC-0336042 | 10 | 1.53 |
| CTC-0336044 | 15 | 0.70 |
| CTC-0350273 | 2 | 6.05 |
| CTC-0546849 | 5 | 9.93 |
| CTC-0617538 | 30 | 0.48 |
| CTC-0617539 | 5 | 1.64 |
| CTC-0617540 | 3 | 3.11 |
| CTC-0618341 | 3 | 3.95 |
| CTC-0618561 | 2 | 4.85 |
| CTC-0618639 | 15 | 0.89 |
| CTC-0619455 | 3 | 3.93 |
| CTC-0619456 | 2 | 4.67 |
| CTC-0619457 | 2 | 5.41 |
| CTC-0619458 | 5 | 2.33 |
| CTC-0619729 | 1 | 5.63 |

O-RINGS

| Part Number | Min. Pkgs. | List Price |
|-------------|------------|------------|
| CTC-0689002 | 5 | \$2.19 |
| CTC-0773241 | 50 | 0.16 |
| CTC-0775843 | 20 | 0.55 |
| CTC-0777539 | 10 | 1.00 |
| CTC-0815391 | 5 | 3.25 |
| CTC-0857537 | 50 | 0.18 |
| CTC-0857538 | 50 | 0.40 |
| CTC-0857539 | 50 | 0.37 |
| CTC-0857540 | 20 | 0.66 |
| CTC-0858219 | 1 | 5.55 |
| CTC-0903093 | 3 | 3.71 |
| CTC-0922304 | 25 | 0.50 |
| CTC-0949672 | 20 | 0.91 |
| CTC-0951508 | 100 | 0.13 |
| CTC-0951509 | 100 | 0.13 |
| CTC-0951510 | 100 | 0.13 |
| CTC-0951511 | 100 | 0.16 |
| CTC-0951512 | 100 | 0.16 |
| CTC-0951513 | 100 | 0.16 |
| CTC-0951514 | 100 | 0.16 |
| CTC-0951515 | 100 | 0.13 |
| CTC-0951516 | 100 | 0.75 |
| CTC-0951517 | 100 | 0.16 |
| CTC-0951518 | 100 | 1.05 |
| CTC-0951519 | 100 | 0.16 |
| CTC-0951521 | 100 | 1.32 |
| CTC-0951522 | 100 | 0.17 |
| CTC-0951524 | 100 | 0.18 |
| CTC-0951525 | 25 | 1.60 |
| CTC-0951526 | 25 | 1.70 |
| CTC-0951527 | 25 | 0.50 |
| CTC-0951528 | 25 | 0.63 |
| CTC-0951530 | 20 | 0.66 |
| CTC-0951531 | 20 | 0.66 |
| CTC-0951532 | 20 | 0.67 |
| CTC-0951533 | 20 | 0.67 |
| CTC-0951534 | 20 | 0.82 |
| CTC-0951536 | 20 | 3.25 |
| CTC-0951537 | 20 | 0.88 |
| CTC-0951538 | 20 | 0.88 |

O-RINGS

| Part Number | Min. Pkgs. | List Price |
|-------------|------------|------------|
| CTC-0951539 | 20 | \$1.07 |
| CTC-0951540 | 20 | 1.07 |
| CTC-0951541 | 20 | 0.91 |
| CTC-0951543 | 10 | 1.20 |
| CTC-0951544 | 10 | 1.20 |
| CTC-0951545 | 10 | 1.23 |
| CTC-0951546 | 5 | 3.23 |
| CTC-0951547 | 10 | 1.27 |
| CTC-0951549 | 2 | 4.63 |
| CTC-0951550 | 2 | 5.89 |
| CTC-0951551 | 2 | 5.92 |
| CTC-0951552 | 2 | 6.32 |
| CTC-0951553 | 2 | 6.47 |
| CTC-0951554 | 2 | 6.71 |
| CTC-0951555 | 2 | 6.84 |
| CTC-0951556 | 2 | 7.08 |
| CTC-0951557 | 2 | 7.22 |
| CTC-0951558 | 2 | 9.39 |
| CTC-0951559 | 2 | 9.46 |
| CTC-0951560 | 2 | 9.55 |
| CTC-0951561 | 2 | 9.89 |
| CTC-0951562 | 2 | 9.94 |
| CTC-0951563 | 2 | 10.24 |
| CTC-0951564 | 2 | 10.43 |
| CTC-0951565 | 1 | 19.69 |
| CTC-0951566 | 1 | 20.20 |
| CTC-0951567 | 1 | 22.67 |
| CTC-0951568 | 1 | 38.82 |
| CTC-0951569 | 1 | 40.85 |
| CTC-0951571 | 100 | 0.10 |
| CTC-0951572 | 100 | 0.16 |
| CTC-0951573 | 100 | 0.16 |
| CTC-0951574 | 50 | 0.31 |
| CTC-0951575 | 50 | 0.33 |
| CTC-0951576 | 50 | 0.33 |
| CTC-0951577 | 25 | 0.54 |
| CTC-0951578 | 50 | 0.35 |
| CTC-0951579 | 25 | 0.55 |
| CTC-0951580 | 25 | 0.55 |
| CTC-0951581 | 20 | 0.75 |

REPLACEMENT PARTS FOR CATERPILLAR® EQUIPMENT

NOTE: CATERPILLAR part numbers are used as a reference only. We do not imply that these kits are original REPLACEMENT PARTS.

O-RINGS

| Part Number | Min. Pkgs. | List Price |
|-------------|------------|------------|
| CTC-0951583 | 20 | \$0.76 |
| CTC-0951584 | 20 | 0.76 |
| CTC-0951585 | 20 | 0.78 |
| CTC-0951587 | 20 | 1.03 |
| CTC-0951589 | 20 | 0.63 |
| CTC-0951590 | 20 | 1.05 |
| CTC-0951591 | 20 | 0.76 |
| CTC-0951592 | 20 | 0.99 |
| CTC-0951593 | 20 | 0.99 |
| CTC-0951594 | 10 | 1.29 |
| CTC-0951595 | 10 | 1.29 |
| CTC-0951597 | 10 | 1.65 |
| CTC-0951598 | 10 | 1.70 |
| CTC-0951599 | 10 | 1.72 |
| CTC-0951600 | 10 | 1.82 |
| CTC-0951601 | 10 | 1.82 |
| CTC-0951602 | 10 | 1.85 |
| CTC-0951603 | 10 | 1.93 |
| CTC-0951604 | 10 | 1.95 |
| CTC-0951605 | 10 | 1.98 |
| CTC-0951606 | 10 | 2.06 |
| CTC-0951608 | 5 | 2.21 |
| CTC-0951609 | 5 | 2.25 |
| CTC-0951610 | 5 | 2.88 |
| CTC-0951611 | 5 | 2.95 |
| CTC-0951612 | 5 | 3.25 |
| CTC-0951613 | 5 | 2.96 |
| CTC-0951615 | 5 | 3.39 |
| CTC-0951616 | 5 | 3.47 |
| CTC-0951617 | 5 | 3.48 |
| CTC-0951618 | 2 | 4.61 |
| CTC-0951621 | 2 | 5.85 |
| CTC-0951623 | 2 | 6.54 |
| CTC-0951624 | 2 | 6.69 |
| CTC-0951625 | 2 | 7.59 |
| CTC-0951626 | 2 | 7.08 |
| CTC-0951627 | 2 | 7.22 |
| CTC-0951628 | 2 | 9.41 |
| CTC-0951629 | 2 | 9.49 |
| CTC-0951630 | 2 | 9.62 |

O-RINGS

| Part Number | Min. Pkgs. | List Price |
|-------------|------------|------------|
| CTC-0951631 | 2 | \$9.74 |
| CTC-0951632 | 2 | 9.79 |
| CTC-0951633 | 2 | 10.01 |
| CTC-0951634 | 2 | 10.21 |
| CTC-0951635 | 2 | 12.51 |
| CTC-0951636 | 1 | 22.53 |
| CTC-0951637 | 1 | 25.24 |
| CTC-0951639 | 1 | 28.11 |
| CTC-0951640 | 1 | 29.29 |
| CTC-0951641 | 1 | 30.04 |
| CTC-0951642 | 1 | 57.38 |
| CTC-0951657 | 25 | 0.50 |
| CTC-0951658 | 20 | 0.66 |
| CTC-0951659 | 20 | 0.87 |
| CTC-0951662 | 10 | 4.38 |
| CTC-0951663 | 10 | 1.38 |
| CTC-0951671 | 5 | 3.25 |
| CTC-0951673 | 5 | 2.86 |
| CTC-0951674 | 5 | 3.50 |
| CTC-0951675 | 5 | 3.71 |
| CTC-0951676 | 5 | 3.88 |
| CTC-0951678 | 5 | 13.24 |
| CTC-0951679 | 2 | 2.39 |
| CTC-0951680 | 2 | 2.88 |
| CTC-0951681 | 2 | 4.78 |
| CTC-0951682 | 2 | 7.76 |
| CTC-0951683 | 2 | 7.83 |
| CTC-0951684 | 2 | 8.05 |
| CTC-0951685 | 2 | 20.37 |
| CTC-0951686 | 2 | 11.10 |
| CTC-0951687 | 2 | 11.18 |
| CTC-0951688 | 2 | 11.31 |
| CTC-0951689 | 2 | 13.19 |
| CTC-0951690 | 2 | 13.42 |
| CTC-0951691 | 2 | 13.70 |
| CTC-0951692 | 1 | 13.90 |
| CTC-0951693 | 1 | 16.01 |
| CTC-0951694 | 1 | 18.70 |
| CTC-0951695 | 1 | 19.90 |
| CTC-0951696 | 25 | 0.54 |

O-RINGS

| Part Number | Min. Pkgs. | List Price |
|-------------|------------|------------|
| CTC-0951698 | 20 | \$0.74 |
| CTC-0951700 | 20 | 0.90 |
| CTC-0951704 | 10 | 2.10 |
| CTC-0951705 | 10 | 2.18 |
| CTC-0951706 | 5 | 2.50 |
| CTC-0951707 | 5 | 2.49 |
| CTC-0951708 | 5 | 2.51 |
| CTC-0951709 | 5 | 9.70 |
| CTC-0951710 | 5 | 2.43 |
| CTC-0951711 | 5 | 3.15 |
| CTC-0951712 | 5 | 3.18 |
| CTC-0951713 | 5 | 3.25 |
| CTC-0951714 | 5 | 3.55 |
| CTC-0951715 | 5 | 3.62 |
| CTC-0951716 | 5 | 3.50 |
| CTC-0951717 | 5 | 3.74 |
| CTC-0951718 | 5 | 4.06 |
| CTC-0951719 | 5 | 4.12 |
| CTC-0951720 | 5 | 4.14 |
| CTC-0951721 | 2 | 4.86 |
| CTC-0951722 | 2 | 8.69 |
| CTC-0951723 | 2 | 4.98 |
| CTC-0951724 | 2 | 10.64 |
| CTC-0951725 | 2 | 12.66 |
| CTC-0951726 | 2 | 13.21 |
| CTC-0951727 | 1 | 15.99 |
| CTC-0951728 | 1 | 16.14 |
| CTC-0951729 | 1 | 16.43 |
| CTC-0951730 | 1 | 18.33 |
| CTC-0951731 | 1 | 18.72 |
| CTC-0951732 | 1 | 24.40 |
| CTC-0951733 | 1 | 28.96 |
| CTC-0951734 | 1 | 34.40 |
| CTC-0951735 | 1 | 35.63 |
| CTC-0951736 | 1 | 41.10 |
| CTC-0951737 | 1 | 44.15 |
| CTC-0951738 | 1 | 46.78 |
| CTC-0951739 | 1 | 57.71 |
| CTC-0951750 | 50 | 0.15 |
| CTC-0951751 | 50 | 0.18 |

REPLACEMENT PARTS FOR CATERPILLAR® EQUIPMENT

NOTE: CATERPILLAR part numbers are used as a reference only. We do not imply that these kits are original REPLACEMENT PARTS.

O-RINGS

| Part Number | Min. Pkgs. | List Price |
|-------------|------------|------------|
| CTC-0951753 | 20 | \$0.98 |
| CTC-0958859 | 2 | 9.24 |
| CTC-0960034 | 25 | 0.47 |
| CTC-0960035 | 1 | 30.46 |
| CTC-0960037 | 1 | 88.49 |
| CTC-0960071 | 2 | 9.74 |
| CTC-0960121 | 5 | 3.29 |
| CTC-0963021 | 50 | 0.14 |
| CTC-0963044 | 50 | 0.40 |
| CTC-0963944 | 1 | 14.66 |
| CTC-0964921 | 2 | 7.88 |
| CTC-0965382 | 2 | 9.79 |
| CTC-0965572 | 10 | 1.94 |
| CTC-0966100 | 20 | 0.45 |
| CTC-0967041 | 2 | 9.23 |
| CTC-0975203 | 50 | 0.09 |
| CTC-0975204 | 50 | 0.16 |
| CTC-0975205 | 50 | 0.16 |
| CTC-0990187 | 20 | 0.39 |
| CTC-0994780 | 10 | 1.49 |
| CTC-0994846 | 1 | 37.19 |
| CTC-0998232 | 50 | 0.37 |
| CTC-1020889 | 1 | 9.94 |
| CTC-1038254 | 10 | 1.00 |
| CTC-1038255 | 5 | 2.12 |
| CTC-1044948 | 5 | 3.24 |
| CTC-1059843 | 50 | 0.14 |
| CTC-1073114 | 1 | 25.51 |
| CTC-1073117 | 10 | 1.73 |
| CTC-1074057 | 20 | 0.63 |
| CTC-1076259 | 5 | 4.28 |
| CTC-1077642 | 20 | 0.62 |
| CTC-1085803 | 10 | 1.36 |
| CTC-1085806 | 2 | 7.50 |
| CTC-1092332 | 1 | 9.33 |
| CTC-1092333 | 14 | 1.06 |
| CTC-1093203 | 15 | 1.44 |
| CTC-1093205 | 3 | 3.25 |
| CTC-1093206 | 10 | 1.48 |
| CTC-1094791 | 5 | 3.55 |

O-RINGS

| Part Number | Min. Pkgs. | List Price |
|-------------|------------|------------|
| CTC-1094792 | 20 | \$0.99 |
| CTC-1095694 | 1 | 1.13 |
| CTC-1095698 | 10 | 2.17 |
| CTC-1095700 | 5 | 4.01 |
| CTC-1095702 | 1 | 11.85 |
| CTC-1095704 | 5 | 3.89 |
| CTC-1097411 | 1 | 37.23 |
| CTC-1097412 | 20 | 0.63 |
| CTC-1099685 | 10 | 1.35 |
| CTC-1104742 | 1 | 2.03 |
| CTC-1117052 | 5 | 4.07 |
| CTC-1120033 | 100 | 0.07 |
| CTC-1120034 | 100 | 0.16 |
| CTC-1123102 | 15 | 0.89 |
| CTC-1123540 | 2 | 4.63 |
| CTC-1126920 | 1 | 14.25 |
| CTC-1126921 | 10 | 1.75 |
| CTC-1132073 | 1 | 31.90 |
| CTC-1135304 | 1 | 8.41 |
| CTC-1136303 | 50 | 0.15 |
| CTC-1137820 | 20 | 1.11 |
| CTC-1137822 | 10 | 2.18 |
| CTC-1149275 | 5 | 2.19 |
| CTC-1163682 | 10 | 1.74 |
| CTC-1171266 | 10 | 1.70 |
| CTC-1171495 | 20 | 0.91 |
| CTC-1177273 | 20 | 0.63 |
| CTC-1177282 | 5 | 4.08 |
| CTC-1178801 | 1 | 9.04 |
| CTC-1178803 | 5 | 2.08 |
| CTC-1182720 | 5 | 2.66 |
| CTC-1183122 | 5 | 2.41 |
| CTC-1183125 | 5 | 5.02 |
| CTC-1183128 | 5 | 3.46 |
| CTC-1183131 | 10 | 1.94 |
| CTC-1185068 | 50 | 0.24 |
| CTC-1188586 | 1 | 10.92 |
| CTC-1197843 | 20 | 0.91 |
| CTC-1197844 | 20 | 1.25 |
| CTC-1197845 | 5 | 4.60 |

O-RINGS

| Part Number | Min. Pkgs. | List Price |
|-------------|------------|------------|
| CTC-1199443 | 8 | \$1.20 |
| CTC-1217687 | 20 | 0.87 |
| CTC-1218094 | 5 | 2.46 |
| CTC-1218112 | 100 | 0.16 |
| CTC-1218117 | 10 | 1.10 |
| CTC-1228352 | 50 | 0.18 |
| CTC-1229250 | 1 | 1.82 |
| CTC-1229251 | 5 | 3.29 |
| CTC-1232341 | 100 | 0.13 |
| CTC-1232342 | 100 | 0.32 |
| CTC-1232343 | 10 | 1.36 |
| CTC-1241858 | 2 | 4.67 |
| CTC-1241859 | 2 | 7.49 |
| CTC-1249346 | 50 | 0.29 |
| CTC-1251372 | 10 | 1.32 |
| CTC-1254194 | 1 | 6.28 |
| CTC-1259701 | 5 | 2.45 |
| CTC-1259794 | 1 | 10.71 |
| CTC-1264002 | 1 | 10.69 |
| CTC-1264003 | 1 | 7.44 |
| CTC-1266514 | 3 | 3.70 |
| CTC-1266515 | 3 | 3.70 |
| CTC-1266516 | 1 | 3.72 |
| CTC-1291609 | 3 | 3.74 |
| CTC-1300229 | 1 | 12.17 |
| CTC-1313715 | 20 | 1.06 |
| CTC-1313716 | 5 | 3.43 |
| CTC-1313718 | 2 | 8.05 |
| CTC-1323056 | 2 | 9.46 |
| CTC-1324240 | 5 | 1.93 |
| CTC-1334771 | 50 | 0.44 |
| CTC-1345691 | 2 | 4.61 |
| CTC-1352652 | 15 | 1.05 |
| CTC-1356950 | 1 | 40.80 |
| CTC-1357933 | 1 | 9.60 |
| CTC-1357935 | 5 | 2.66 |
| CTC-1357937 | 5 | 5.78 |
| CTC-1362942 | 1 | 19.77 |
| CTC-1367226 | 20 | 0.65 |
| CTC-1367227 | 8 | 1.95 |

REPLACEMENT PARTS FOR CATERPILLAR® EQUIPMENT

NOTE: CATERPILLAR part numbers are used as a reference only. We do not imply that these kits are original REPLACEMENT PARTS.

O-RINGS

| Part Number | Min. Pkgs. | List Price |
|-------------|------------|------------|
| CTC-1374350 | 1 | \$78.38 |
| CTC-1376667 | 10 | 1.48 |
| CTC-1378101 | 1 | 1.18 |
| CTC-1400226 | 1 | 3.66 |
| CTC-1400240 | 1 | 6.28 |
| CTC-1407663 | 2 | 12.51 |
| CTC-1410749 | 2 | 5.51 |
| CTC-1411774 | 5 | 4.74 |
| CTC-1434637 | 5 | 5.16 |
| CTC-1447338 | 2 | 3.18 |
| CTC-1490231 | 10 | 1.40 |
| CTC-1522939 | 10 | 2.45 |
| CTC-1531157 | 2 | 6.89 |
| CTC-1534906 | 10 | 1.53 |
| CTC-1534907 | 15 | 1.04 |
| CTC-1548741 | 1 | 27.26 |
| CTC-1565198 | 1 | 26.63 |
| CTC-1572238 | 20 | 0.75 |
| CTC-1598802 | 1 | 77.12 |
| CTC-1600526 | 20 | 0.92 |
| CTC-1614102 | 1 | 4.36 |
| CTC-1616149 | 50 | 0.15 |
| CTC-1618068 | 1 | 14.24 |
| CTC-1618069 | 1 | 15.15 |
| CTC-1629997 | 1 | 4.08 |
| CTC-1645165 | 2 | 8.69 |
| CTC-1654852 | 1 | 36.65 |
| CTC-1654854 | 3 | 2.33 |
| CTC-1658066 | 5 | 2.61 |
| CTC-1659448 | 10 | 1.78 |
| CTC-1697442 | 1 | 9.04 |
| CTC-1704821 | 1 | 11.29 |
| CTC-1704823 | 1 | 18.39 |
| CTC-1704824 | 1 | 36.26 |
| CTC-1704825 | 1 | 11.47 |
| CTC-1705715 | 2 | 8.10 |
| CTC-1705941 | 1 | 28.33 |
| CTC-1707098 | 1 | 8.20 |
| CTC-1707106 | 1 | 22.53 |
| CTC-1708775 | 5 | 3.25 |

O-RINGS

| Part Number | Min. Pkgs. | List Price |
|-------------|------------|------------|
| CTC-1708778 | 5 | \$2.81 |
| CTC-1708794 | 5 | 3.15 |
| CTC-1708796 | 5 | 2.50 |
| CTC-1708827 | 5 | 2.51 |
| CTC-1738277 | 5 | 1.72 |
| CTC-1743357 | 1 | 64.71 |
| CTC-1753135 | 15 | 0.89 |
| CTC-1755077 | 1 | 16.65 |
| CTC-1757894 | 20 | 0.63 |
| CTC-1757895 | 20 | 0.70 |
| CTC-1757896 | 20 | 0.78 |
| CTC-1757897 | 20 | 0.83 |
| CTC-1757898 | 20 | 0.92 |
| CTC-1757900 | 20 | 0.97 |
| CTC-1757901 | 1 | 3.71 |
| CTC-1757902 | 10 | 1.30 |
| CTC-1757903 | 5 | 3.07 |
| CTC-1757904 | 10 | 1.67 |
| CTC-1757905 | 10 | 1.72 |
| CTC-1761378 | 1 | 12.25 |
| CTC-1776911 | 1 | 47.23 |
| CTC-1799013 | 10 | 2.19 |
| CTC-1802391 | 1 | 12.70 |
| CTC-1808424 | 6 | 1.25 |
| CTC-1808722 | 50 | 0.46 |
| CTC-1871979 | 15 | 1.42 |
| CTC-1878567 | 10 | 1.29 |
| CTC-1882199 | 1 | 2.60 |
| CTC-1903010 | 5 | 4.08 |
| CTC-1903011 | 5 | 2.90 |
| CTC-1920626 | 5 | 9.70 |
| CTC-1920627 | 5 | 3.06 |
| CTC-1920629 | 5 | 2.51 |
| CTC-1920680 | 5 | 2.49 |
| CTC-1927507 | 100 | 0.13 |
| CTC-1927508 | 25 | 0.53 |
| CTC-1927509 | 50 | 0.30 |
| CTC-1927510 | 100 | 0.13 |
| CTC-1927514 | 100 | 0.28 |
| CTC-1927515 | 100 | 0.16 |

O-RINGS

| Part Number | Min. Pkgs. | List Price |
|-------------|------------|------------|
| CTC-1931736 | 1 | \$12.43 |
| CTC-1931793 | 2 | 7.59 |
| CTC-1931809 | 5 | 2.81 |
| CTC-1934314 | 2 | 6.32 |
| CTC-1934316 | 5 | 8.65 |
| CTC-1949584 | 2 | 4.85 |
| CTC-1951721 | 2 | 4.86 |
| CTC-1952139 | 50 | 0.13 |
| CTC-1952862 | 20 | 1.03 |
| CTC-1989428 | 10 | 1.29 |
| CTC-1990596 | 5 | 3.06 |
| CTC-1990598 | 5 | 8.65 |
| CTC-1991139 | 5 | 2.41 |
| CTC-1H0474 | 10 | 1.42 |
| CTC-1H1023 | 50 | 0.07 |
| CTC-1H5728 | 20 | 0.67 |
| CTC-1H6227 | 10 | 1.05 |
| CTC-1H7339 | 20 | 0.78 |
| CTC-1H8128 | 20 | 0.96 |
| CTC-1H8171 | 50 | 0.16 |
| CTC-1H8278 | 5 | 3.53 |
| CTC-1H8720 | 20 | 0.63 |
| CTC-1H9696 | 20 | 0.72 |
| CTC-1J2176 | 5 | 3.59 |
| CTC-1J2859 | 10 | 1.72 |
| CTC-1J2890 | 1 | 5.42 |
| CTC-1J9671 | 50 | 0.26 |
| CTC-1M0556 | 5 | 4.85 |
| CTC-1M1077 | 50 | 0.16 |
| CTC-1M3548 | 5 | 4.35 |
| CTC-1M9015 | 1 | 5.42 |
| CTC-1P9005 | 5 | 2.02 |
| CTC-1R5318 | 20 | 0.54 |
| CTC-1S7408 | 10 | 1.72 |
| CTC-1S8947 | 50 | 0.13 |
| CTC-1T0132 | 1 | 4.36 |
| CTC-1U3174 | 1 | 8.62 |
| CTC-2034023 | 2 | 6.10 |
| CTC-2034024 | 5 | 2.43 |
| CTC-2034039 | 2 | 5.85 |

REPLACEMENT PARTS FOR CATERPILLAR® EQUIPMENT

NOTE: CATERPILLAR part numbers are used as a reference only. We do not imply that these kits are original REPLACEMENT PARTS.

O-RINGS

| Part Number | Min. Pkgs. | List Price |
|-------------|------------|------------|
| CTC-2034040 | 5 | \$2.41 |
| CTC-2034086 | 2 | 6.31 |
| CTC-2034087 | 5 | 8.65 |
| CTC-2047234 | 5 | 3.47 |
| CTC-2047236 | 10 | 1.67 |
| CTC-2057950 | 5 | 3.25 |
| CTC-2057952 | 5 | 3.55 |
| CTC-2074849 | 10 | 0.94 |
| CTC-2147568 | 1 | 5.81 |
| CTC-2167244 | 1 | 0.14 |
| CTC-2167641 | 5 | 3.15 |
| CTC-2199052 | 5 | 3.18 |
| CTC-2199057 | 5 | 3.15 |
| CTC-2287093 | 1 | 3.36 |
| CTC-2304560 | 1 | 6.92 |
| CTC-2332597 | 10 | 1.40 |
| CTC-2332601 | 10 | 1.78 |
| CTC-2332603 | 5 | 2.49 |
| CTC-2424313 | 10 | 0.59 |
| CTC-2434572 | 1 | 11.37 |
| CTC-2487172 | 1 | 10.47 |
| CTC-2487173 | 1 | 5.68 |
| CTC-2487174 | 1 | 7.73 |
| CTC-2487175 | 1 | 7.21 |
| CTC-2487176 | 1 | 7.65 |
| CTC-2487177 | 1 | 31.90 |
| CTC-2487178 | 1 | 10.86 |
| CTC-2487179 | 1 | 7.15 |
| CTC-2639891 | 50 | 0.15 |
| CTC-2667959 | 2 | 10.01 |
| CTC-2667960 | 2 | 12.51 |
| CTC-2667961 | 2 | 13.21 |
| CTC-2667962 | 1 | 18.33 |
| CTC-2667966 | 5 | 3.74 |
| CTC-2667967 | 5 | 4.12 |
| CTC-2667968 | 2 | 4.86 |
| CTC-2667969 | 2 | 4.98 |
| CTC-2668026 | 5 | 4.14 |
| CTC-2742500 | 5 | 3.74 |
| CTC-2742501 | 2 | 9.79 |

O-RINGS

| Part Number | Min. Pkgs. | List Price |
|-------------|------------|------------|
| CTC-2742502 | 1 | \$8.27 |
| CTC-2A3676 | 5 | 5.17 |
| CTC-2D0598 | 20 | 0.37 |
| CTC-2D1692 | 1 | 3.92 |
| CTC-2D6533 | 1 | 5.66 |
| CTC-2D8009 | 5 | 2.10 |
| CTC-2D8363 | 1 | 17.48 |
| CTC-2D8364 | 1 | 17.78 |
| CTC-2D9572 | 1 | 4.36 |
| CTC-2H2665 | 20 | 0.96 |
| CTC-2H3927 | 20 | 0.44 |
| CTC-2H3928 | 10 | 1.18 |
| CTC-2H3931 | 20 | 0.88 |
| CTC-2H3932 | 50 | 0.24 |
| CTC-2H3933 | 20 | 0.97 |
| CTC-2H3934 | 20 | 0.97 |
| CTC-2H3935 | 10 | 1.85 |
| CTC-2H4145 | 20 | 0.92 |
| CTC-2H6124 | 5 | 3.66 |
| CTC-2H6184 | 20 | 0.83 |
| CTC-2H6338 | 20 | 0.88 |
| CTC-2H6340 | 1 | 6.82 |
| CTC-2H9247 | 10 | 1.72 |
| CTC-2J8163 | 10 | 1.53 |
| CTC-2K2939 | 5 | 2.88 |
| CTC-2K4472 | 5 | 2.62 |
| CTC-2K8198 | 50 | 0.24 |
| CTC-2K8257 | 5 | 2.25 |
| CTC-2M0340 | 1 | 4.01 |
| CTC-2M1309 | 1 | 7.59 |
| CTC-2M3340 | 1 | 10.49 |
| CTC-2M4453 | 50 | 0.13 |
| CTC-2M9780 | 50 | 0.30 |
| CTC-2N3350 | 3 | 4.30 |
| CTC-2N5749 | 5 | 2.08 |
| CTC-2P1692 | 5 | 1.72 |
| CTC-2R0039 | 10 | 1.64 |
| CTC-2S4078 | 20 | 0.60 |
| CTC-2S8439 | 5 | 2.10 |
| CTC-2T2691 | 20 | 1.07 |

O-RINGS

| Part Number | Min. Pkgs. | List Price |
|-------------|------------|------------|
| CTC-2T2692 | 15 | \$0.90 |
| CTC-2T2695 | 5 | 2.64 |
| CTC-2U5338 | 100 | 0.16 |
| CTC-2U5339 | 10 | 1.72 |
| CTC-2U5341 | 5 | 2.45 |
| CTC-2U5343 | 5 | 2.86 |
| CTC-2U5354 | 1 | 17.55 |
| CTC-2U5355 | 1 | 19.77 |
| CTC-2Y2271 | 50 | 0.14 |
| CTC-2Y2272 | 50 | 0.14 |
| CTC-2Y2347 | 50 | 0.39 |
| CTC-3102184 | 10 | 2.23 |
| CTC-3102186 | 10 | 2.01 |
| CTC-3102187 | 5 | 3.06 |
| CTC-3102189 | 5 | 3.07 |
| CTC-3162516 | 5 | 3.59 |
| CTC-3162517 | 5 | 3.77 |
| CTC-3202510 | 1 | 69.45 |
| CTC-3206169 | 1 | 10.84 |
| CTC-328970 | 15 | 0.68 |
| CTC-3312487 | 5 | 3.07 |
| CTC-3409308 | 1 | 3.29 |
| CTC-3409311 | 1 | 16.36 |
| CTC-3409312 | 1 | 20.79 |
| CTC-3409313 | 1 | 10.69 |
| CTC-3409314 | 1 | 9.74 |
| CTC-3409315 | 1 | 9.85 |
| CTC-3409322 | 1 | 5.11 |
| CTC-3409323 | 1 | 10.26 |
| CTC-3495880 | 50 | 0.09 |
| CTC-3512185 | 1 | 43.83 |
| CTC-3512187 | 1 | 6.28 |
| CTC-3706664 | 1 | 7.23 |
| CTC-3825765 | 20 | 0.46 |
| CTC-3825856 | 50 | 0.30 |
| CTC-3825859 | 50 | 0.14 |
| CTC-3914635 | 50 | 0.40 |
| CTC-3A9280 | 10 | 4.38 |
| CTC-3B8453 | 50 | 0.30 |
| CTC-3C5546 | 10 | 1.89 |

REPLACEMENT PARTS FOR CATERPILLAR® EQUIPMENT

NOTE: CATERPILLAR part numbers are used as a reference only. We do not imply that these kits are original REPLACEMENT PARTS.

O-RINGS

| Part Number | Min. Pkgs. | List Price |
|-------------|------------|------------|
| CTC-3D2824 | 50 | \$0.37 |
| CTC-3D2895 | 3 | 3.30 |
| CTC-3D2898 | 20 | 0.39 |
| CTC-3D2992 | 50 | 0.16 |
| CTC-3D4004 | 5 | 1.71 |
| CTC-3D4245 | 50 | 0.14 |
| CTC-3D7805 | 20 | 0.48 |
| CTC-3D8241 | 1 | 17.49 |
| CTC-3E4296 | 10 | 1.34 |
| CTC-3E4297 | 1 | 14.71 |
| CTC-3E4298 | 50 | 0.30 |
| CTC-3E4299 | 20 | 0.87 |
| CTC-3E6703 | 10 | 2.49 |
| CTC-3E6704 | 1 | 3.66 |
| CTC-3E6705 | 2 | 5.00 |
| CTC-3E6708 | 20 | 0.75 |
| CTC-3E6710 | 1 | 6.82 |
| CTC-3E6714 | 10 | 8.81 |
| CTC-3E6720 | 1 | 3.38 |
| CTC-3E6723 | 10 | 2.19 |
| CTC-3E6725 | 5 | 2.77 |
| CTC-3E6730 | 20 | 1.22 |
| CTC-3E6732 | 10 | 1.59 |
| CTC-3E6734 | 1 | 5.03 |
| CTC-3E6735 | 10 | 1.89 |
| CTC-3E6736 | 5 | 3.25 |
| CTC-3E6744 | 1 | 7.06 |
| CTC-3E6747 | 5 | 1.82 |
| CTC-3E6749 | 5 | 1.69 |
| CTC-3E6751 | 1 | 33.20 |
| CTC-3E6760 | 50 | 0.14 |
| CTC-3E6761 | 25 | 0.46 |
| CTC-3E6766 | 2 | 5.12 |
| CTC-3E6771 | 20 | 0.67 |
| CTC-3E6773 | 2 | 8.25 |
| CTC-3E6785 | 1 | 9.74 |
| CTC-3E6788 | 5 | 2.33 |
| CTC-3E6790 | 4 | 2.39 |
| CTC-3E6794 | 1 | 5.42 |
| CTC-3E6799 | 2 | 8.58 |

O-RINGS

| Part Number | Min. Pkgs. | List Price |
|-------------|------------|------------|
| CTC-3F1547 | 5 | \$3.66 |
| CTC-3F5792 | 10 | 1.72 |
| CTC-3G1209 | 50 | 0.14 |
| CTC-3H0107 | 50 | 0.16 |
| CTC-3H0442 | 50 | 0.03 |
| CTC-3H1461 | 20 | 0.30 |
| CTC-3H2652 | 20 | 0.78 |
| CTC-3H3385 | 50 | 0.13 |
| CTC-3H4970 | 50 | 0.24 |
| CTC-3J0634 | 5 | 3.22 |
| CTC-3J1907 | 50 | 0.26 |
| CTC-3J7354 | 50 | 0.26 |
| CTC-3J9015 | 20 | 0.31 |
| CTC-3K0360 | 50 | 0.29 |
| CTC-3K0715 | 10 | 1.14 |
| CTC-3K4025 | 20 | 0.65 |
| CTC-3P0439 | 20 | 1.18 |
| CTC-3P0648 | 2 | 4.97 |
| CTC-3P0649 | 1 | 9.33 |
| CTC-3P0650 | 1 | 8.41 |
| CTC-3P0651 | 1 | 10.54 |
| CTC-3P0653 | 1 | 12.17 |
| CTC-3P0654 | 1 | 16.25 |
| CTC-3P0655 | 1 | 13.05 |
| CTC-3P0656 | 1 | 11.52 |
| CTC-3P0657 | 1 | 10.99 |
| CTC-3P0658 | 1 | 55.26 |
| CTC-3P1155 | 5 | 2.08 |
| CTC-3S1223 | 5 | 2.88 |
| CTC-3S6538 | 20 | 0.44 |
| CTC-3S9233 | 50 | 0.16 |
| CTC-3T7528 | 100 | 0.13 |
| CTC-4161277 | 10 | 2.01 |
| CTC-4161288 | 10 | 2.49 |
| CTC-4161299 | 10 | 1.89 |
| CTC-4D1577 | 1 | 10.06 |
| CTC-4D2297 | 50 | 0.09 |
| CTC-4D3107 | 20 | 0.31 |
| CTC-4D4503 | 1 | 7.42 |
| CTC-4D4508 | 1 | 8.31 |

O-RINGS

| Part Number | Min. Pkgs. | List Price |
|-------------|------------|------------|
| CTC-4D6548 | 1 | \$1.90 |
| CTC-4D6695 | 1 | 6.99 |
| CTC-4D9986 | 50 | 0.14 |
| CTC-4F4097 | 20 | 0.88 |
| CTC-4F5607 | 20 | 0.39 |
| CTC-4F7387 | 10 | 1.72 |
| CTC-4F7388 | 1 | 5.16 |
| CTC-4F7389 | 20 | 0.44 |
| CTC-4F7390 | 20 | 0.74 |
| CTC-4F7391 | 50 | 0.28 |
| CTC-4F7507 | 5 | 2.85 |
| CTC-4F7952 | 20 | 0.35 |
| CTC-4F8824 | 20 | 0.55 |
| CTC-4F8946 | 50 | 0.24 |
| CTC-4F9029 | 50 | 0.28 |
| CTC-4F9653 | 20 | 0.63 |
| CTC-4H6520 | 5 | 3.15 |
| CTC-4H6730 | 1 | 15.29 |
| CTC-4H9105 | 10 | 1.30 |
| CTC-4J0519 | 20 | 0.54 |
| CTC-4J0520 | 20 | 0.57 |
| CTC-4J0521 | 20 | 0.63 |
| CTC-4J0522 | 20 | 0.70 |
| CTC-4J0523 | 20 | 0.87 |
| CTC-4J0524 | 20 | 0.89 |
| CTC-4J0525 | 20 | 0.91 |
| CTC-4J0526 | 20 | 1.03 |
| CTC-4J0527 | 20 | 1.06 |
| CTC-4J0528 | 20 | 1.11 |
| CTC-4J0537 | 20 | 1.06 |
| CTC-4J1253 | 1 | 10.49 |
| CTC-4J4577 | 50 | 0.14 |
| CTC-4J5140 | 50 | 0.37 |
| CTC-4J5267 | 50 | 0.40 |
| CTC-4J5268 | 50 | 0.18 |
| CTC-4J5351 | 50 | 0.18 |
| CTC-4J5477 | 50 | 0.14 |
| CTC-4J5573 | 20 | 0.82 |
| CTC-4J5733 | 50 | 0.18 |
| CTC-4J7533 | 50 | 0.18 |

REPLACEMENT PARTS FOR CATERPILLAR® EQUIPMENT

NOTE: CATERPILLAR part numbers are used as a reference only. We do not imply that these kits are original REPLACEMENT PARTS.

O-RINGS

| Part Number | Min. Pkgs. | List Price |
|-------------|------------|------------|
| CTC-4J8996 | 50 | \$0.39 |
| CTC-4J8997 | 50 | 0.46 |
| CTC-4J8998 | 20 | 0.63 |
| CTC-4K1388 | 20 | 0.44 |
| CTC-4K2039 | 50 | 0.07 |
| CTC-4K4986 | 50 | 0.37 |
| CTC-4K6804 | 1 | 4.01 |
| CTC-4L7711 | 20 | 0.37 |
| CTC-4L9564 | 10 | 1.30 |
| CTC-4M0189 | 10 | 1.14 |
| CTC-4M0661 | 1 | 7.88 |
| CTC-4M0737 | 1 | 10.59 |
| CTC-4N1230 | 1 | 4.52 |
| CTC-4S5879 | 1 | 8.57 |
| CTC-4T4128 | 1 | 10.49 |
| CTC-4W0435 | 5 | 2.06 |
| CTC-4W2754 | 1 | 3.71 |
| CTC-4W4616 | 1 | 2.06 |
| CTC-4W7356 | 3 | 3.85 |
| CTC-5391745 | 5 | 5.30 |
| CTC-5D1071 | 1 | 10.49 |
| CTC-5D1597 | 10 | 2.33 |
| CTC-5D5957 | 1 | 9.33 |
| CTC-5D5959 | 1 | 39.15 |
| CTC-5D6428 | 1 | 17.87 |
| CTC-5D6539 | 50 | 0.24 |
| CTC-5D6543 | 20 | 0.24 |
| CTC-5E8767 | 5 | 1.86 |
| CTC-5E8768 | 5 | 2.19 |
| CTC-5E8769 | 3 | 5.00 |
| CTC-5E8770 | 2 | 4.63 |
| CTC-5E9816 | 15 | 1.06 |
| CTC-5F0149 | 10 | 1.53 |
| CTC-5F1678 | 50 | 0.22 |
| CTC-5F3092 | 10 | 1.14 |
| CTC-5F3106 | 10 | 1.67 |
| CTC-5F3144 | 10 | 1.58 |
| CTC-5F3999 | 10 | 1.67 |
| CTC-5F6222 | 1 | 4.52 |
| CTC-5F7054 | 50 | 0.14 |
| CTC-5F8000 | 20 | 0.52 |

O-RINGS

| Part Number | Min. Pkgs. | List Price |
|-------------|------------|------------|
| CTC-5F9144 | 50 | \$0.07 |
| CTC-5F9657 | 20 | 0.31 |
| CTC-5H2767 | 50 | 0.16 |
| CTC-5H2824 | 5 | 4.95 |
| CTC-5H3252 | 5 | 2.19 |
| CTC-5H4909 | 1 | 4.36 |
| CTC-5H5672 | 10 | 1.93 |
| CTC-5H6005 | 50 | 0.09 |
| CTC-5H6733 | 5 | 2.85 |
| CTC-5H6734 | 10 | 1.50 |
| CTC-5H7370 | 20 | 0.39 |
| CTC-5H8038 | 50 | 0.30 |
| CTC-5H8624 | 10 | 1.58 |
| CTC-5H8848 | 20 | 0.70 |
| CTC-5H9524 | 5 | 2.80 |
| CTC-5I8417 | 1 | 6.67 |
| CTC-5I8426 | 1 | 5.46 |
| CTC-5I8623 | 1 | 6.18 |
| CTC-5J2383 | 1 | 7.07 |
| CTC-5J2974 | 50 | 0.18 |
| CTC-5J3886 | 5 | 1.93 |
| CTC-5K0216 | 20 | 0.67 |
| CTC-5K0227 | 20 | 0.63 |
| CTC-5K1787 | 5 | 3.66 |
| CTC-5K5221 | 20 | 0.40 |
| CTC-5K5959 | 20 | 0.67 |
| CTC-5K6526 | 20 | 0.48 |
| CTC-5K9090 | 50 | 0.35 |
| CTC-5L2727 | 20 | 0.44 |
| CTC-5L4758 | 50 | 0.09 |
| CTC-5L4759 | 50 | 0.14 |
| CTC-5L5032 | 5 | 3.53 |
| CTC-5M2057 | 20 | 0.28 |
| CTC-5M5860 | 20 | 0.39 |
| CTC-5M6200 | 1 | 12.24 |
| CTC-5M6509 | 20 | 0.63 |
| CTC-5M7142 | 5 | 3.66 |
| CTC-5M7423 | 20 | 0.39 |
| CTC-5P0840 | 8 | 1.22 |
| CTC-5P0908 | 20 | 0.65 |
| CTC-5P1480 | 2 | 6.59 |

O-RINGS

| Part Number | Min. Pkgs. | List Price |
|-------------|------------|------------|
| CTC-5P1979 | 5 | \$2.62 |
| CTC-5P2235 | 1 | 9.60 |
| CTC-5P2236 | 1 | 12.54 |
| CTC-5P2545 | 1 | 5.25 |
| CTC-5P2568 | 20 | 0.37 |
| CTC-5P2569 | 10 | 1.50 |
| CTC-5P2931 | 20 | 0.83 |
| CTC-5P3108 | 50 | 0.30 |
| CTC-5P3620 | 5 | 3.06 |
| CTC-5P3863 | 20 | 0.83 |
| CTC-5P3864 | 5 | 2.35 |
| CTC-5P3881 | 20 | 0.88 |
| CTC-5P3944 | 50 | 0.16 |
| CTC-5P4268 | 3 | 2.83 |
| CTC-5P4326 | 5 | 2.02 |
| CTC-5P4342 | 1 | 11.35 |
| CTC-5P4889 | 2 | 6.59 |
| CTC-5P4892 | 2 | 5.16 |
| CTC-5P4933 | 50 | 0.15 |
| CTC-5P5397 | 5 | 2.70 |
| CTC-5P5598 | 7 | 1.32 |
| CTC-5P5600 | 15 | 1.07 |
| CTC-5P5601 | 10 | 1.20 |
| CTC-5P5756 | 3 | 3.25 |
| CTC-5P5757 | 2 | 3.55 |
| CTC-5P5846 | 1 | 6.71 |
| CTC-5P5874 | 50 | 0.15 |
| CTC-5P6300 | 50 | 0.30 |
| CTC-5P6302 | 10 | 1.89 |
| CTC-5P6718 | 5 | 1.50 |
| CTC-5P7530 | 10 | 1.64 |
| CTC-5P7593 | 1 | 6.00 |
| CTC-5P7701 | 4 | 4.30 |
| CTC-5P7818 | 1 | 17.25 |
| CTC-5P8065 | 5 | 1.96 |
| CTC-5P8066 | 1 | 2.68 |
| CTC-5P8068 | 2 | 6.33 |
| CTC-5P8118 | 4 | 2.20 |
| CTC-5P8210 | 3 | 2.51 |
| CTC-5P8211 | 3 | 4.42 |
| CTC-5P8215 | 20 | 0.31 |

REPLACEMENT PARTS FOR CATERPILLAR® EQUIPMENT

NOTE: CATERPILLAR part numbers are used as a reference only. We do not imply that these kits are original REPLACEMENT PARTS.

O-RINGS

| Part Number | Min. Pkgs. | List Price |
|-------------|------------|------------|
| CTC-5P8286 | 1 | \$12.17 |
| CTC-5P8428 | 1 | 16.67 |
| CTC-5P8429 | 1 | 47.91 |
| CTC-5P8861 | 1 | 39.08 |
| CTC-5P8862 | 1 | 37.56 |
| CTC-5P8870 | 25 | 4.57 |
| CTC-5P8871 | 1 | 64.71 |
| CTC-5P8872 | 1 | 20.59 |
| CTC-5P8883 | 3 | 2.33 |
| CTC-5P8940 | 1 | 22.05 |
| CTC-5P8942 | 1 | 0.51 |
| CTC-5P9040 | 4 | 2.26 |
| CTC-5P9186 | 1 | 1.15 |
| CTC-5P9217 | 1 | 10.49 |
| CTC-5P9658 | 10 | 1.36 |
| CTC-5P9757 | 15 | 0.65 |
| CTC-5P9890 | 2 | 4.63 |
| CTC-5P9939 | 20 | 0.52 |
| CTC-5S0982 | 5 | 5.32 |
| CTC-5S3676 | 1 | 4.36 |
| CTC-5S6760 | 1 | 31.16 |
| CTC-5S9134 | 1 | 18.17 |
| CTC-5W6388 | 5 | 1.52 |
| CTC-5W9413 | 10 | 1.70 |
| CTC-6D7128 | 12 | 0.92 |
| CTC-6D7146 | 2 | 6.37 |
| CTC-6D7889 | 2 | 3.41 |
| CTC-6D9157 | 5 | 2.88 |
| CTC-6F0671 | 5 | 4.52 |
| CTC-6F0711 | 20 | 0.39 |
| CTC-6F4718 | 5 | 2.62 |
| CTC-6F4855 | 50 | 0.09 |
| CTC-6F5559 | 50 | 0.09 |
| CTC-6F6673 | 50 | 0.28 |
| CTC-6F8146 | 20 | 0.88 |
| CTC-6H3977 | 20 | 0.74 |
| CTC-6H4162 | 1 | 6.13 |
| CTC-6H5672 | 50 | 0.31 |
| CTC-6H9691 | 50 | 0.03 |
| CTC-6I1064 | 8 | 1.45 |
| CTC-6J1038 | 50 | 0.35 |

O-RINGS

| Part Number | Min. Pkgs. | List Price |
|-------------|------------|------------|
| CTC-6J2245 | 10 | \$1.03 |
| CTC-6J2419 | 20 | 0.30 |
| CTC-6J2680 | 10 | 1.37 |
| CTC-6J5541 | 5 | 4.40 |
| CTC-6K6307 | 10 | 0.88 |
| CTC-6K9149 | 5 | 5.26 |
| CTC-6M5062 | 50 | 0.07 |
| CTC-6R0365 | 10 | 1.72 |
| CTC-6V0357 | 50 | 0.48 |
| CTC-6V0894 | 50 | 0.22 |
| CTC-6V0895 | 20 | 0.48 |
| CTC-6V0913 | 50 | 0.18 |
| CTC-6V0973 | 1 | 16.67 |
| CTC-6V1175 | 1 | 10.49 |
| CTC-6V1195 | 1 | 13.17 |
| CTC-6V1196 | 2 | 7.19 |
| CTC-6V1197 | 1 | 8.71 |
| CTC-6V1320 | 2 | 5.46 |
| CTC-6V1653 | 3 | 4.19 |
| CTC-6V1902 | 1 | 17.65 |
| CTC-6V1934 | 1 | 9.19 |
| CTC-6V2483 | 20 | 0.88 |
| CTC-6V3251 | 15 | 1.01 |
| CTC-6V3263 | 1 | 13.36 |
| CTC-6V3319 | 1 | 15.90 |
| CTC-6V3348 | 3 | 4.40 |
| CTC-6V3349 | 1 | 45.98 |
| CTC-6V3551 | 1 | 16.08 |
| CTC-6V3684 | 1 | 28.66 |
| CTC-6V3685 | 40 | 0.48 |
| CTC-6V3830 | 1 | 5.88 |
| CTC-6V3831 | 1 | 9.14 |
| CTC-6V3832 | 2 | 3.09 |
| CTC-6V3833 | 1 | 14.52 |
| CTC-6V3834 | 5 | 5.60 |
| CTC-6V3835 | 1 | 27.94 |
| CTC-6V3865 | 3 | 3.69 |
| CTC-6V3907 | 1 | 19.42 |
| CTC-6V3908 | 1 | 18.57 |
| CTC-6V3922 | 50 | 0.21 |
| CTC-6V3955 | 3 | 4.11 |

O-RINGS

| Part Number | Min. Pkgs. | List Price |
|-------------|------------|------------|
| CTC-6V3967 | 1 | \$84.24 |
| CTC-6V3968 | 1 | 40.80 |
| CTC-6V4297 | 1 | 35.93 |
| CTC-6V4314 | 1 | 23.08 |
| CTC-6V4315 | 1 | 17.57 |
| CTC-6V4366 | 15 | 1.11 |
| CTC-6V4367 | 5 | 1.92 |
| CTC-6V4430 | 2 | 4.68 |
| CTC-6V4480 | 2 | 4.68 |
| CTC-6V4589 | 8 | 1.95 |
| CTC-6V4590 | 1 | 8.18 |
| CTC-6V5049 | 14 | 1.06 |
| CTC-6V5050 | 5 | 3.16 |
| CTC-6V5051 | 1 | 13.79 |
| CTC-6V5052 | 1 | 19.42 |
| CTC-6V5053 | 1 | 9.91 |
| CTC-6V5054 | 1 | 26.95 |
| CTC-6V5055 | 1 | 34.34 |
| CTC-6V5057 | 1 | 73.37 |
| CTC-6V5060 | 1 | 94.10 |
| CTC-6V5095 | 1 | 45.05 |
| CTC-6V5101 | 1 | 19.52 |
| CTC-6V5102 | 1 | 41.10 |
| CTC-6V5103 | 1 | 31.84 |
| CTC-6V5134 | 2 | 5.02 |
| CTC-6V5142 | 15 | 1.06 |
| CTC-6V5143 | 5 | 2.20 |
| CTC-6V5167 | 1 | 34.67 |
| CTC-6V5266 | 3 | 2.92 |
| CTC-6V5375 | 1 | 52.83 |
| CTC-6V5393 | 20 | 0.46 |
| CTC-6V5553 | 1 | 15.61 |
| CTC-6V5556 | 50 | 0.35 |
| CTC-6V5586 | 50 | 0.14 |
| CTC-6V5656 | 1 | 15.50 |
| CTC-6V5657 | 5 | 3.06 |
| CTC-6V5722 | 50 | 0.14 |
| CTC-6V5758 | 10 | 1.18 |
| CTC-6V5759 | 8 | 1.20 |
| CTC-6V5862 | 1 | 10.49 |
| CTC-6V6228 | 10 | 1.50 |

REPLACEMENT PARTS FOR CATERPILLAR® EQUIPMENT

NOTE: CATERPILLAR part numbers are used as a reference only. We do not imply that these kits are original REPLACEMENT PARTS.

O-RINGS

| Part Number | Min. Pkgs. | List Price |
|-------------|------------|------------|
| CTC-6V6339 | 50 | \$4.06 |
| CTC-6V6353 | 1 | 8.79 |
| CTC-6V6580 | 50 | 0.30 |
| CTC-6V6638 | 1 | 87.44 |
| CTC-6V6707 | 10 | 1.64 |
| CTC-6V6755 | 5 | 2.08 |
| CTC-6V6756 | 3 | 4.42 |
| CTC-6V7350 | 1 | 7.81 |
| CTC-6V7351 | 1 | 12.97 |
| CTC-6V7609 | 10 | 1.67 |
| CTC-6V7610 | 5 | 2.50 |
| CTC-6V7658 | 1 | 2.50 |
| CTC-6V7659 | 5 | 2.41 |
| CTC-6V7681 | 1 | 16.16 |
| CTC-6V7701 | 1 | 56.30 |
| CTC-6V8001 | 2 | 7.49 |
| CTC-6V8002 | 2 | 7.81 |
| CTC-6V8218 | 50 | 0.40 |
| CTC-6V8260 | 1 | 10.99 |
| CTC-6V8350 | 15 | 1.25 |
| CTC-6V8397 | 50 | 0.14 |
| CTC-6V8398 | 50 | 0.15 |
| CTC-6V8399 | 50 | 0.21 |
| CTC-6V8400 | 50 | 0.39 |
| CTC-6V8467 | 5 | 2.81 |
| CTC-6V8676 | 3 | 2.62 |
| CTC-6V8958 | 2 | 8.92 |
| CTC-6V8978 | 50 | 0.39 |
| CTC-6V9746 | 50 | 0.21 |
| CTC-7D1195 | 5 | 4.58 |
| CTC-7D7111 | 1 | 20.00 |
| CTC-7D9014 | 5 | 5.11 |
| CTC-7E4846 | 50 | 0.37 |
| CTC-7E4847 | 20 | 0.46 |
| CTC-7F2122 | 10 | 1.05 |
| CTC-7F8267 | 20 | 0.44 |
| CTC-7F8268 | 20 | 0.52 |
| CTC-7H2444 | 10 | 1.18 |
| CTC-7H9959 | 5 | 4.15 |
| CTC-7J0204 | 50 | 0.18 |

O-RINGS

| Part Number | Min. Pkgs. | List Price |
|-------------|------------|------------|
| CTC-7J2036 | 20 | \$0.55 |
| CTC-7J6285 | 10 | 1.60 |
| CTC-7J8956 | 5 | 3.15 |
| CTC-7J9108 | 50 | 0.18 |
| CTC-7L4090 | 10 | 1.72 |
| CTC-7L4774 | 5 | 1.89 |
| CTC-7L9061 | 10 | 1.07 |
| CTC-7M5873 | 5 | 1.71 |
| CTC-7M8485 | 20 | 0.48 |
| CTC-7R8872 | 20 | 0.70 |
| CTC-7S4001 | 10 | 1.37 |
| CTC-7S8554 | 1 | 7.88 |
| CTC-7S8561 | 1 | 10.92 |
| CTC-7U3263 | 2 | 13.42 |
| CTC-7U7852 | 1 | 35.63 |
| CTC-7X1547 | 1 | 21.18 |
| CTC-7X1550 | 50 | 0.46 |
| CTC-7X4744 | 10 | 1.72 |
| CTC-7X4745 | 3 | 2.83 |
| CTC-7X4782 | 10 | 1.53 |
| CTC-7X4805 | 10 | 1.20 |
| CTC-7X4810 | 1 | 49.02 |
| CTC-7X5494 | 10 | 1.05 |
| CTC-7X8592 | 5 | 2.20 |
| CTC-7X9372 | 10 | 1.03 |
| CTC-7Y4277 | 1 | 7.61 |
| CTC-7Y4294 | 1 | 8.62 |
| CTC-7Y5219 | 50 | 0.18 |
| CTC-7Y5269 | 20 | 0.91 |
| CTC-7Y5280 | 100 | 0.10 |
| CTC-8B4967 | 50 | 0.31 |
| CTC-8B7216 | 50 | 0.07 |
| CTC-8C0563 | 20 | 0.93 |
| CTC-8C0624 | 5 | 2.08 |
| CTC-8C3057 | 5 | 3.18 |
| CTC-8C3058 | 5 | 7.91 |
| CTC-8C3059 | 2 | 19.80 |
| CTC-8C3077 | 2 | 8.21 |
| CTC-8C3079 | 3 | 2.80 |
| CTC-8C3080 | 20 | 0.40 |

O-RINGS

| Part Number | Min. Pkgs. | List Price |
|-------------|------------|------------|
| CTC-8C3081 | 20 | \$0.63 |
| CTC-8C3085 | 50 | 0.14 |
| CTC-8C3086 | 50 | 0.18 |
| CTC-8C3087 | 50 | 0.21 |
| CTC-8C3088 | 50 | 0.35 |
| CTC-8C3089 | 2 | 5.12 |
| CTC-8C3093 | 15 | 1.18 |
| CTC-8C3095 | 9 | 0.48 |
| CTC-8C3097 | 20 | 0.75 |
| CTC-8C3098 | 50 | 0.14 |
| CTC-8C3101 | 5 | 3.66 |
| CTC-8C3102 | 5 | 3.66 |
| CTC-8C3103 | 1 | 21.11 |
| CTC-8C3107 | 1 | 7.36 |
| CTC-8C3131 | 20 | 0.62 |
| CTC-8C3828 | 1 | 83.66 |
| CTC-8C5179 | 1 | 6.13 |
| CTC-8C5197 | 2 | 4.22 |
| CTC-8C5230 | 1 | 6.89 |
| CTC-8C5237 | 1 | 1.50 |
| CTC-8F4469 | 5 | 2.46 |
| CTC-8F4994 | 50 | 0.31 |
| CTC-8F5900 | 1 | 4.36 |
| CTC-8F6230 | 1 | 4.36 |
| CTC-8F6498 | 1 | 6.82 |
| CTC-8F6711 | 20 | 0.55 |
| CTC-8F7219 | 50 | 0.03 |
| CTC-8F8230 | 1 | 4.36 |
| CTC-8F8733 | 5 | 2.35 |
| CTC-8F8861 | 1 | 6.55 |
| CTC-8F8882 | 20 | 0.70 |
| CTC-8F9206 | 50 | 0.09 |
| CTC-8F9516 | 5 | 2.02 |
| CTC-8F9538 | 50 | 0.03 |
| CTC-8F9960 | 1 | 10.83 |
| CTC-8H0273 | 5 | 3.30 |
| CTC-8H2046 | 10 | 1.42 |
| CTC-8H7521 | 20 | 0.92 |
| CTC-8H8257 | 1 | 7.42 |
| CTC-8I1736 | 5 | 3.06 |

REPLACEMENT PARTS FOR CATERPILLAR® EQUIPMENT

NOTE: CATERPILLAR part numbers are used as a reference only. We do not imply that these kits are original REPLACEMENT PARTS.

O-RINGS

| Part Number | Min. Pkgs. | List Price |
|-------------|------------|------------|
| CTC-8I4427 | 50 | \$0.09 |
| CTC-8J1665 | 5 | 3.37 |
| CTC-8J1688 | 5 | 2.35 |
| CTC-8J2413 | 50 | 0.30 |
| CTC-8J4351 | 3 | 3.63 |
| CTC-8J4386 | 1 | 7.39 |
| CTC-8J8343 | 50 | 0.16 |
| CTC-8J8725 | 2 | 4.85 |
| CTC-8J8879 | 1 | 4.80 |
| CTC-8L2746 | 1 | 0.65 |
| CTC-8L2777 | 15 | 0.75 |
| CTC-8L2779 | 1 | 0.51 |
| CTC-8L9241 | 1 | 5.50 |
| CTC-8M8997 | 50 | 0.13 |
| CTC-8P6357 | 1 | 21.81 |
| CTC-8S5011 | 2 | 3.66 |
| CTC-8S5953 | 20 | 0.91 |
| CTC-8T0116 | 100 | 0.16 |
| CTC-8T0135 | 20 | 0.48 |
| CTC-8T0315 | 20 | 0.48 |
| CTC-8T0568 | 3 | 3.53 |
| CTC-8T0678 | 1 | 5.25 |
| CTC-8T2148 | 20 | 2.86 |
| CTC-8T2360 | 3 | 3.48 |
| CTC-8T2361 | 3 | 3.53 |
| CTC-8T3013 | 1 | 25.32 |
| CTC-8T3338 | 5 | 8.65 |
| CTC-8T4202 | 20 | 0.91 |
| CTC-8T4811 | 1 | 16.61 |
| CTC-8T4827 | 50 | 0.40 |
| CTC-8T4894 | 5 | 13.24 |
| CTC-8T4945 | 1 | 1.06 |
| CTC-8T5039 | 5 | 3.42 |
| CTC-8T5049 | 10 | 2.23 |
| CTC-8T5376 | 5 | 2.43 |
| CTC-8T5452 | 10 | 1.72 |
| CTC-8T6346 | 5 | 3.40 |
| CTC-8T6404 | 5 | 2.62 |
| CTC-8T6444 | 5 | 3.22 |
| CTC-8T6447 | 50 | 0.13 |

O-RINGS

| Part Number | Min. Pkgs. | List Price |
|-------------|------------|------------|
| CTC-8T6716 | 5 | \$2.96 |
| CTC-8T6717 | 3 | 4.67 |
| CTC-8T6850 | 50 | 0.23 |
| CTC-8T7000 | 20 | 0.55 |
| CTC-8T7568 | 5 | 3.66 |
| CTC-8T7877 | 20 | 1.30 |
| CTC-8T9522 | 5 | 1.75 |
| CTC-8T9527 | 1 | 9.91 |
| CTC-8T9529 | 15 | 1.18 |
| CTC-8U1958 | 2 | 15.20 |
| CTC-8U4125 | 1 | 3.67 |
| CTC-8U5927 | 2 | 5.68 |
| CTC-8U5942 | 1 | 0.67 |
| CTC-8U6013 | 100 | 0.16 |
| CTC-8U7381 | 50 | 0.35 |
| CTC-9C3493 | 1 | 7.61 |
| CTC-9F1399 | 5 | 2.80 |
| CTC-9F4446 | 10 | 1.18 |
| CTC-9F7283 | 10 | 1.72 |
| CTC-9H4557 | 50 | 0.31 |
| CTC-9J5686 | 20 | 1.14 |
| CTC-9J6491 | 50 | 0.18 |
| CTC-9M2092 | 10 | 1.58 |
| CTC-9M3786 | 5 | 2.70 |
| CTC-9M5024 | 5 | 3.66 |
| CTC-9M5892 | 1 | 15.29 |
| CTC-9M5894 | 1 | 4.08 |
| CTC-9N1756 | 1 | 0.48 |
| CTC-9R2496 | 5 | 2.05 |
| CTC-9S3888 | 5 | 2.19 |
| CTC-9S8307 | 20 | 1.03 |
| CTC-9T4057 | 50 | 0.30 |
| CTC-9W3340 | 25 | 0.57 |
| CTC-9X3979 | 10 | 1.72 |
| CTC-9X4576 | 1 | 13.23 |
| CTC-9X4611 | 10 | 1.94 |
| CTC-9X4617 | 10 | 1.23 |
| CTC-9X4626 | 10 | 1.00 |
| CTC-9X7286 | 1 | 14.00 |
| CTC-9X7287 | 1 | 10.34 |

O-RINGS

| Part Number | Min. Pkgs. | List Price |
|----------------|------------|------------|
| CTC-9X7295 | 1 | \$17.65 |
| CTC-9X7357 | 10 | 2.45 |
| CTC-9X7358 | 5 | 4.19 |
| CTC-9X7371 | 1 | 11.64 |
| CTC-9X7375 | 5 | 2.62 |
| CTC-9X7377 | 10 | 1.09 |
| CTC-9X7380 | 30 | 0.09 |
| CTC-9X7383 | 15 | 0.17 |
| CTC-9X7422 | 1 | 9.04 |
| CTC-9X7430 | 10 | 3.43 |
| CTC-9X7432 | 1 | 2.33 |
| CTC-9X7440 | 5 | 3.65 |
| CTC-9X7454 | 50 | 0.21 |
| CTC-9X7458 | 5 | 2.85 |
| CTC-9X7557 | 2 | 8.10 |
| CTC-9X7562 | 1 | 25.99 |
| CTC-9X7566 | 5 | 3.06 |
| CTC-9X7676 | 15 | 0.65 |
| CTC-9X7680 | 15 | 0.98 |
| CTC-9X7681 | 15 | 1.06 |
| CTC-9X7683 | 1 | 3.06 |
| CTC-9X7684 | 20 | 0.35 |
| CTC-9X7688 | 0 | 79.52 |
| CTC-9X7692 | 50 | 0.32 |
| CTC-9X7712 | 3 | 4.36 |
| CTC-9X7715 | 2 | 7.26 |
| CTC-9X7725 | 5 | 2.95 |
| CTC-9X7734 | 8 | 1.07 |
| CTC-9X7745 | 50 | 0.29 |
| CTC-F315009000 | 2 | 6.84 |
| CTC-Z440101000 | 2 | 7.22 |
| CTC-Z440101100 | 2 | 9.39 |
| CTC-Z440201000 | 2 | 9.06 |
| CTC-Z440201400 | 2 | 10.01 |
| CTC-Z441001000 | 1 | 2.81 |
| CTC-Z441001100 | 5 | 3.50 |
| CTC-Z441100950 | 1 | 3.25 |
| CTC-Z441101050 | 5 | 3.62 |
| CTC-Z441101150 | 5 | 3.74 |
| CTC-Z441101600 | 2 | 13.21 |

REPLACEMENT PARTS FOR CATERPILLAR® EQUIPMENT

NOTE: CATERPILLAR kit numbers are used as a reference only. We do not imply that these kits are original REPLACEMENT PARTS.

SILICONE O-RINGS

| Part Number | Min. Pkgs. | List Price |
|-------------|------------|------------|
| CTC-1M6036 | 2 | \$10.66 |
| CTC-1S0004 | 5 | 4.33 |
| CTC-1S2174 | 5 | 4.61 |
| CTC-1S7462 | 6 | 1.64 |
| CTC-1S9799 | 6 | 26.05 |
| CTC-2M2561 | 3 | 8.06 |
| CTC-2P3538 | 5 | 6.83 |
| CTC-2S2251 | 5 | 8.16 |
| CTC-3S4489 | 5 | 1.96 |
| CTC-5H7153 | 4 | 4.82 |
| CTC-5H8853 | 20 | 0.59 |
| CTC-5M3038 | 5 | 5.50 |
| CTC-5P4932 | 11 | 1.95 |
| CTC-5P6436 | 11 | 0.97 |
| CTC-5P6620 | 20 | 0.95 |
| CTC-6F0249 | 4 | 2.32 |
| CTC-6L1648 | 4 | 5.68 |
| CTC-6L1649 | 3 | 7.61 |
| CTC-6L1650 | 3 | 5.85 |
| CTC-6L1651 | 3 | 7.97 |
| CTC-6L5473 | 1 | 9.19 |
| CTC-6L9284 | 3 | 7.06 |
| CTC-7X4800 | 20 | 0.91 |
| CTC-8M1112 | 6 | 1.89 |
| CTC-8M4389 | 5 | 1.60 |
| CTC-8M4390 | 3 | 5.85 |
| CTC-8M4395 | 3 | 4.86 |
| CTC-8M4431 | 4 | 1.63 |
| CTC-8M4432 | 5 | 2.90 |
| CTC-8M4435 | 5 | 2.26 |
| CTC-8M4436 | 3 | 5.36 |
| CTC-8M4437 | 10 | 1.32 |
| CTC-8M4438 | 5 | 1.38 |

SILICONE O-RINGS

| Part Number | Min. Pkgs. | List Price |
|-------------|------------|------------|
| CTC-8M4443 | 3 | \$4.61 |
| CTC-8M4445 | 5 | 2.53 |
| CTC-8M4446 | 5 | 2.69 |
| CTC-8M4447 | 6 | 1.37 |
| CTC-8M4448 | 5 | 1.60 |
| CTC-8M4986 | 10 | 4.22 |
| CTC-8M4987 | 10 | 3.67 |
| CTC-8M4988 | 5 | 2.99 |
| CTC-8M4989 | 2 | 6.92 |
| CTC-8M4990 | 3 | 4.42 |
| CTC-8M4991 | 3 | 6.62 |
| CTC-8M4992 | 3 | 5.06 |
| CTC-8M5010 | 3 | 5.60 |
| CTC-8M5127 | 12 | 0.89 |
| CTC-8M5248 | 5 | 3.32 |
| CTC-8M5249 | 5 | 4.07 |
| CTC-8M5251 | 12 | 1.20 |
| CTC-8M5252 | 3 | 6.76 |
| CTC-8M5253 | 8 | 1.03 |
| CTC-8M5254 | 5 | 3.53 |
| CTC-8M5260 | 8 | 1.00 |
| CTC-8M5661 | 3 | 4.82 |
| CTC-8M8157 | 5 | 1.19 |
| CTC-8M8281 | 5 | 1.82 |
| CTC-8M8282 | 6 | 1.49 |
| CTC-8M8283 | 3 | 1.83 |
| CTC-8M8515 | 5 | 2.77 |
| CTC-9H6067 | 5 | 5.13 |
| CTC-9M4218 | 2 | 7.97 |
| CTC-9M4849 | 5 | 4.93 |
| CTC-9M7002 | 3 | 7.53 |
| CTC-9M7539 | 3 | 5.47 |
| CTC-9M9647 | 3 | 7.86 |

ROD VEE SETS

| Part Number | Rod Dia. | List Price |
|-------------|----------|------------|
| CTC-1J0132 | 1-1/4 | \$10.09 |
| CTC-1K7110 | 1-1/4 | 10.09 |
| CTC-3D1123 | 1-1/2 | 16.84 |
| CTC-2K0248 | 1-3/4 | 22.78 |
| CTC-1K7112 | 2 | 20.08 |
| CTC-3F9609 | 2 | 51.32 |
| CTC-2K4434 | 2-1/4 | 22.98 |
| CTC-1K7114 | 2-1/2 | 30.58 |
| CTC-4F8420 | 2-1/2 | 48.41 |
| CTC-4J5830 | 2-1/2 | 26.73 |
| CTC-5F3498 | 2-3/4 | 44.56 |
| CTC-2J1408 | 3 | 35.28 |
| CTC-2K1516 | 3 | 53.31 |
| CTC-4J6897 | 3-1/4 | 42.09 |
| CTC-8M3912 | 3-1/2 | 22.62 |
| CTC-2K0050 | 4 | 70.73 |
| CTC-2K1335 | 4-1/2 | 60.41 |
| CTC-3J7768 | 7-1/4 | 159.23 |

RECTANGULAR ROD SEALS

| Part Number | Rod Dia. | Desc. | List Price |
|-------------|----------|--------------|------------|
| CTC-8C9139 | 2-1/2 | Seal | \$36.23 |
| CTC-5J1731 | 7 | Seal | 24.42 |
| CTC-5J5150 | 7 | Back-up Ring | 18.22 |
| CTC-8T3539 | 7 | Seal | 18.22 |
| CTC-8T3540 | 7 | Back-up Ring | 28.26 |
| CTC-6J7693 | 9 | Seal | 28.59 |
| CTC-8T3541 | 9 | Seal | 18.22 |
| CTC-8T3542 | 9 | Back-up Ring | 33.41 |
| CTC-9J4753 | 9 | Back-up Ring | 18.22 |

REPLACEMENT PARTS FOR CATERPILLAR® EQUIPMENT

NOTE: CATERPILLAR part numbers are used as a reference only. We do not imply that these kits are original REPLACEMENT PARTS.

U-SEALS

| Part Number | Rod Dia. | List Price |
|-------------|----------|------------|
| CTC-7J0375 | 5/8 | \$8.15 |
| CTC-3864246 | 3/4 | 10.00 |
| CTC-6J1878 | 3/4 | 8.44 |
| CTC-0352380 | 7/8 | 8.77 |
| CTC-6J1889 | 1 | 5.45 |
| CTC-1890217 | 1-1/4 | 11.33 |
| CTC-4T0959 | 1-1/4 | 10.77 |
| CTC-5J8125 | 1-1/4 | 10.77 |
| CTC-2S5867 | 1-1/2 | 20.33 |
| CTC-5J8150 | 1-1/2 | 14.07 |
| CTC-9J4038 | 1-1/2 | 19.47 |
| CTC-4T0488 | 1-5/8 | 13.68 |
| CTC-1672300 | 1-3/4 | 11.40 |
| CTC-3518628 | 1 3/4 | 11.80 |
| CTC-5J8175 | 1-3/4 | 14.18 |
| CTC-8J5816 | 1-3/4 | 14.18 |
| CTC-3081883 | 1-3/4 | 26.82 |
| CTC-1672302 | 1-7/8 | 11.35 |
| CTC-2332609 | 1-7/8 | 11.35 |
| CTC-4S9006 | 1-7/8 | 29.56 |
| CTC-4T6898 | 1-7/8 | 29.93 |
| CTC-1672304 | 2 | 21.82 |
| CTC-2892946 | 2 | 21.82 |
| CTC-3081873 | 2 | 19.10 |
| CTC-3568331 | 2 | 21.82 |
| CTC-3G3259 | 2 | 25.65 |
| CTC-3G3260 | 2 | 20.05 |
| CTC-4214023 | 2 | 24.61 |
| CTC-5J8200 | 2 | 24.77 |
| CTC-5U3644 | 2 | 10.45 |
| CTC-9J1318 | 2 | 25.65 |
| CTC-1672305 | 2-1/8 | 23.42 |
| CTC-3P1344 | 2-1/8 | 18.56 |
| CTC-4T6126 | 2-1/8 | 25.80 |
| CTC-1672307 | 2-1/4 | 21.33 |
| CTC-3623819 | 2-1/4 | 21.33 |
| CTC-5J8225 | 2-1/4 | 21.33 |
| CTC-7J4820 | 2-1/4 | 28.87 |
| CTC-0917173 | 2-3/8 | 20.87 |
| CTC-3640084 | 2-3/8 | 20.31 |
| CTC-3G2911 | 2-3/8 | 55.40 |
| CTC-5J8238 | 2-3/8 | 20.31 |
| CTC-9J1322 | 2-3/8 | 17.89 |
| CTC-1672314 | 2-1/2 | 23.73 |
| CTC-2892948 | 2-1/2 | 26.99 |
| CTC-3G3752 | 2-1/2 | 50.90 |
| CTC-3G3809 | 2-1/2 | 50.90 |

U-SEALS

| Part Number | Rod Dia. | List Price |
|-------------|----------|------------|
| CTC-4S9007 | 2-1/2 | \$39.31 |
| CTC-5J0964 | 2-1/2 | 20.79 |
| CTC-7J4824 | 2-1/2 | 50.90 |
| CTC-9X7257 | 2-1/2 | 50.90 |
| CTC-1672438 | 2-1/2 | 103.48 |
| CTC-1672315 | 2-5/8 | 18.69 |
| CTC-3G4718 | 2-5/8 | 18.69 |
| CTC-1672317 | 2-3/4 | 20.82 |
| CTC-5J8275 | 2-3/4 | 21.23 |
| CTC-9J2944 | 2-3/4 | 34.64 |
| CTC-1P4879 | 3 | 44.97 |
| CTC-5J8300 | 3 | 21.90 |
| CTC-3124245 | 3 | 18.56 |
| CTC-4214025 | 3 | 30.10 |
| CTC-1672320 | 3-1/4 | 23.08 |
| CTC-3465201 | 3-1/4 | 31.04 |
| CTC-4214026 | 3-1/4 | 31.04 |
| CTC-4153212 | 3-1/4 | 23.08 |
| CTC-5J8325 | 3-1/4 | 23.08 |
| CTC-7J2145 | 3-1/4 | 40.10 |
| CTC-3G5051 | 3-3/8 | 20.33 |
| CTC-5P1140 | 3-3/8 | 14.99 |
| CTC-1049658 | 3-1/2 | 24.13 |
| CTC-1672324 | 3-1/2 | 28.19 |
| CTC-1J2148 | 3-1/2 | 81.95 |
| CTC-1P4880 | 3-1/2 | 27.42 |
| CTC-5J8350 | 3-1/2 | 24.13 |
| CTC-7J2150 | 3-1/2 | 43.19 |
| CTC-3119317 | 3-1/2 | 34.89 |
| CTC-1672328 | 3-3/4 | 28.31 |
| CTC-1672331 | 3-3/4 | 37.08 |
| CTC-3465200 | 3-3/4 | 28.31 |
| CTC-5J8375 | 3-3/4 | 28.31 |
| CTC-2U9113 | 4 | 30.97 |
| CTC-5J8400 | 4 | 37.08 |
| CTC-7U6945 | 4 | 30.97 |
| CTC-3119320 | 4 | 52.55 |
| CTC-1672333 | 4-1/4 | 31.98 |
| CTC-6J1425 | 4-1/4 | 33.08 |
| CTC-9J1336 | 4-1/4 | 33.08 |
| CTC-0917170 | 4-3/8 | 68.63 |
| CTC-1672336 | 4-1/2 | 37.64 |
| CTC-6J1450 | 4-1/2 | 37.64 |
| CTC-9J1340 | 4-1/2 | 37.64 |
| CTC-2951316 | 4-1/2 | 37.64 |
| CTC-3413191 | 4-1/2 | 37.64 |
| CTC-6J1475 | 4-3/4 | 49.48 |

U-SEALS

| Part Number | Rod Dia. | List Price |
|-------------|----------|------------|
| CTC-9J1344 | 4-3/4 | \$49.48 |
| CTC-4T5664 | 4-7/8 | 40.15 |
| CTC-1211594 | 5 | 60.24 |
| CTC-2U5379 | 5 | 32.22 |
| CTC-3260765 | 5 | 74.73 |
| CTC-3G5056 | 5 | 32.35 |
| CTC-5P1139 | 5 | 32.35 |
| CTC-6K2430 | 5 | 60.97 |
| CTC-8J4524 | 5 | 75.72 |
| CTC-9J1684 | 5 | 32.35 |
| CTC-1672339 | 5 | 75.72 |
| CTC-4T5699 | 5-1/4 | 42.31 |
| CTC-1672344 | 5 1/2 | 63.11 |
| CTC-3260768 | 5-1/2 | 120.20 |
| CTC-6J1550 | 5-1/2 | 51.54 |
| CTC-9J1692 | 5-1/2 | 51.54 |
| CTC-1211602 | 5-3/4 | 70.82 |
| CTC-3G2286 | 5-3/4 | 79.58 |
| CTC-9J5467 | 5-3/4 | 70.58 |
| CTC-9J5470 | 5-3/4 | 70.58 |
| CTC-1672421 | 6 | 77.13 |
| CTC-4T9901 | 6 | 67.83 |
| CTC-8J4394 | 6-1/4 | 62.08 |
| CTC-1367396 | 6-1/2 | 77.03 |
| CTC-1672415 | 6-1/2 | 67.83 |
| CTC-6J1650 | 6-1/2 | 80.93 |
| CTC-8J1880 | 6-1/2 | 80.93 |
| CTC-8J4387 | 6-1/2 | 97.07 |
| CTC-1367397 | 7 | 87.05 |
| CTC-1672352 | 7 | 88.21 |
| CTC-1672416 | 7 | 87.05 |
| CTC-3271055 | 7 | 98.43 |
| CTC-3G2649 | 7 | 74.38 |
| CTC-4335903 | 7 | 98.43 |
| CTC-6J1700 | 7 | 74.38 |
| CTC-1367398 | 7-1/4 | 89.10 |
| CTC-1672353 | 7-1/4 | 75.16 |
| CTC-1672417 | 7-1/4 | 89.10 |
| CTC-3336479 | 7-1/4 | 124.98 |
| CTC-6E0172 | 7-1/4 | 75.16 |
| CTC-1367399 | 7-1/2 | 96.08 |
| CTC-1672418 | 7-1/2 | 96.08 |
| CTC-3260766 | 7-1/2 | 103.08 |
| CTC-1672354 | 8 | 412.65 |
| CTC-3260769 | 8-1/2 | 117.89 |
| CTC-3232197 | 9 | 105.85 |
| CTC-4335904 | 9 | 105.85 |

REPLACEMENT PARTS FOR CATERPILLAR® EQUIPMENT

NOTE: CATERPILLAR part numbers are used as a reference only. We do not imply that these kits are original REPLACEMENT PARTS.

U-SEALS

| Part Number | Rod Dia. | List Price |
|-------------|----------|------------|
| CTC-9X7334 | 9 | \$105.85 |
| CTC-9X7389 | 11 | 133.03 |
| CTC-3336480 | 10-1/2 | 459.61 |
| CTC-3336482 | 11 | 133.03 |
| CTC-3124249 | 12-1/2 | 141.49 |
| CTC-9X7388 | 12-1/2 | 141.49 |
| CTC-0940876 | 10 mm | 12.28 |
| CTC-3Q7691 | 22 mm | 6.31 |
| CTC-1449481 | 30 mm | 14.29 |
| CTC-2991379 | 35 mm | 16.29 |
| CTC-2032344 | 35 mm | 15.99 |
| CTC-1402377 | 35 mm | 13.76 |
| CTC-2047231 | 40 mm | 16.77 |
| CTC-2126073 | 40 mm | 21.21 |
| CTC-6R8715 | 40 mm | 23.15 |
| CTC-1449493 | 40 mm | 21.47 |
| CTC-1921159 | 40 mm | 26.94 |
| CTC-3382442 | 40 mm | 8.70 |
| CTC-1991136 | 45 mm | 16.20 |
| CTC-2035383 | 45 mm | 22.30 |
| CTC-2986947 | 45 mm | 21.25 |
| CTC-1463916 | 45 mm | 16.20 |
| CTC-1672297 | 45 mm | 10.24 |
| CTC-1980660 | 45 mm | 18.70 |
| CTC-1438914 | 45 mm | 16.88 |
| CTC-1920623 | 45 mm | 22.46 |
| CTC-2774161 | 45 mm | 62.08 |
| CTC-1461103 | 50 mm | 22.83 |
| CTC-1708823 | 50 mm | 22.83 |
| CTC-1921168 | 50 mm | 41.88 |
| CTC-1931372 | 50 mm | 22.45 |
| CTC-2034020 | 50 mm | 22.45 |
| CTC-2167638 | 50 mm | 26.98 |
| CTC-1463957 | 50 mm | 22.83 |
| CTC-2332610 | 50 mm | 17.27 |
| CTC-2725679 | 50 mm | 22.45 |
| CTC-2774130 | 50 mm | 52.13 |
| CTC-0959790 | 50 mm | 22.45 |
| CTC-1672303 | 50 mm | 15.20 |
| CTC-3382444 | 50 mm | 11.64 |
| CTC-3512179 | 50 mm | 14.13 |
| CTC-3295792 | 50 mm | 24.06 |
| CTC-1708773 | 55 mm | 23.03 |
| CTC-2125097 | 55 mm | 25.81 |
| CTC-2167238 | 55 mm | 23.03 |
| CTC-2332611 | 55 mm | 66.54 |
| CTC-2725642 | 55 mm | 28.02 |

U-SEALS

| Part Number | Rod Dia. | List Price |
|---------------|----------|------------|
| CTC-0996996 | 55 mm | \$28.02 |
| CTC-1672306 | 55 mm | 41.63 |
| CTC-2773383 | 55 mm | 59.06 |
| CTC-3295793 | 55 mm | 42.31 |
| CTC-1183120 | 60 mm | 26.12 |
| CTC-0931475 | 60 mm | 22.59 |
| CTC-1672301 | 60 mm | 25.02 |
| CTC-3382445 | 60 mm | 12.22 |
| CTC-1095256 | 63 mm | 34.96 |
| CTC-1095259 | 63 mm | 31.77 |
| CTC-0931476 | 65 mm | 26.20 |
| CTC-1709856 | 65 mm | 30.06 |
| CTC-1915683 | 65 mm | 32.99 |
| CTC-1460740 | 65 mm | 32.99 |
| CTC-3382446 | 65 mm | 15.52 |
| CTC-1182716 | 70 mm | 31.09 |
| CTC-3494118 | 70 mm | 50.16 |
| CTC-0931477 | 70 mm | 25.81 |
| CTC-1709857 | 70 mm | 41.94 |
| CTC-8Q5877 | 70 mm | 23.60 |
| CTC-A04600915 | 70 mm | 25.81 |
| CTC-1672299 | 70 mm | 17.34 |
| CTC-4161296 | 70 mm | 36.11 |
| CTC-3382447 | 70 mm | 15.99 |
| CTC-0963468 | 75 mm | 31.40 |
| CTC-8Q6011 | 75 mm | 35.28 |
| CTC-A04600918 | 75 mm | 31.40 |
| CTC-1709858 | 75 mm | 24.39 |
| CTC-1672318 | 75 mm | 19.32 |
| CTC-3494117 | 75 mm | 44.36 |
| CTC-4161274 | 75 mm | 45.21 |
| CTC-0931479 | 80 mm | 27.57 |
| CTC-0994156 | 80 mm | 34.37 |
| CTC-1709859 | 80 mm | 36.61 |
| CTC-A04600917 | 80 mm | 34.37 |
| CTC-1572236 | 80 mm | 18.32 |
| CTC-1672343 | 80 mm | 18.95 |
| CTC-3555816 | 80 mm | 38.54 |
| CTC-4161285 | 80 mm | 59.08 |
| CTC-7Q8581 | 80 mm | 48.07 |
| CTC-0961567 | 85 mm | 37.32 |
| CTC-1540730 | 85 mm | 40.00 |
| CTC-1672322 | 85 mm | 40.00 |
| CTC-1709860 | 85 mm | 31.59 |
| CTC-2742497 | 85 mm | 40.41 |
| CTC-7Y5117 | 85 mm | 37.45 |
| CTC-1373656 | 85 mm | 40.00 |

U-SEALS

| Part Number | Rod Dia. | List Price |
|-------------|----------|------------|
| CTC-3500957 | 85 mm | \$37.32 |
| CTC-3555820 | 85 mm | 52.63 |
| CTC-4161313 | 85 mm | 43.34 |
| CTC-0961587 | 90 mm | 48.25 |
| CTC-1052577 | 90 mm | 39.28 |
| CTC-1540750 | 90 mm | 39.28 |
| CTC-1672325 | 90 mm | 29.95 |
| CTC-2160003 | 90 mm | 39.72 |
| CTC-2742498 | 90 mm | 32.77 |
| CTC-1336913 | 90 mm | 39.28 |
| CTC-3500958 | 90 mm | 19.04 |
| CTC-3512177 | 90 mm | 25.36 |
| CTC-1505826 | 95 mm | 31.94 |
| CTC-1672326 | 95 mm | 32.46 |
| CTC-2160004 | 95 mm | 9.60 |
| CTC-2590653 | 95 mm | 41.55 |
| CTC-7Y4629 | 95 mm | 41.55 |
| CTC-1672327 | 95 mm | 50.42 |
| CTC-3500959 | 95 mm | 10.95 |
| CTC-3722152 | 95 mm | 84.24 |
| CTC-4161318 | 95 mm | 83.68 |
| CTC-0962664 | 100 mm | 31.76 |
| CTC-1076256 | 100 mm | 45.44 |
| CTC-1211371 | 100 mm | 37.08 |
| CTC-1373659 | 100 mm | 37.08 |
| CTC-1540737 | 100 mm | 37.08 |
| CTC-1672329 | 100 mm | 49.50 |
| CTC-1672330 | 100 mm | 37.08 |
| CTC-2160005 | 100 mm | 31.76 |
| CTC-2742499 | 100 mm | 28.41 |
| CTC-8U6849 | 100 mm | 37.08 |
| CTC-1540762 | 100 mm | 45.44 |
| CTC-3500960 | 100 mm | 23.20 |
| CTC-3776019 | 100 mm | 59.90 |
| CTC-1948354 | 105 mm | 50.98 |
| CTC-1948364 | 105 mm | 50.98 |
| CTC-2590733 | 105 mm | 55.81 |
| CTC-7Y4670 | 105 mm | 52.02 |
| CTC-0955600 | 105 mm | 56.46 |
| CTC-1289269 | 105 mm | 52.02 |
| CTC-1540768 | 105 mm | 56.46 |
| CTC-3246439 | 105 mm | 55.81 |
| CTC-3500961 | 105 mm | 14.24 |
| CTC-1289270 | 110 mm | 58.79 |
| CTC-1672338 | 110 mm | 67.73 |
| CTC-1709865 | 110 mm | 55.54 |
| CTC-2590734 | 110 mm | 110.56 |

REPLACEMENT PARTS FOR CATERPILLAR® EQUIPMENT

NOTE: CATERPILLAR part numbers are used as a reference only. We do not imply that these kits are original REPLACEMENT PARTS.

U-SEALS

| Part Number | Rod Dia. | List Price |
|-------------|----------|------------|
| CTC-3338688 | 110 mm | 85.70 |
| CTC-7Y4942 | 110 mm | 57.21 |
| CTC-3033491 | 110 mm | 114.04 |
| CTC-3249486 | 115 mm | 83.98 |
| CTC-1915646 | 115 mm | 83.98 |
| CTC-2042848 | 115 mm | 83.98 |
| CTC-2095876 | 115 mm | 98.51 |
| CTC-2590735 | 115 mm | 123.31 |
| CTC-3338673 | 130 mm | 207.40 |
| CTC-2160008 | 130 mm | 39.23 |
| CTC-2590736 | 130 mm | 207.40 |
| CTC-2160009 | 140 mm | 48.07 |
| CTC-1475770 | 140 mm | 48.07 |
| CTC-3673929 | 140 mm | 104.56 |
| CTC-1672347 | 145 mm | 74.95 |
| CTC-2160010 | 145 mm | 108.68 |
| CTC-1672429 | 150 mm | 132.42 |
| CTC-2160011 | 150 mm | 19.26 |

NON-CATERPILLAR U-SEALS

| Part Number | Rod Dia. | List Price |
|-------------|----------|------------|
| CTC-3E4175 | 1-1/8 | \$6.87 |
| CTC-3E4284 | 1-1/8 | 7.66 |
| CTC-3E4180 | 1-1/4 | 7.57 |
| CTC-3E4181 | 1-1/4 | 7.04 |
| CTC-3E4193 | 1-1/4 | 7.68 |
| CTC-3E4182 | 1-3/8 | 7.47 |
| CTC-3E4194 | 1-3/8 | 7.94 |
| CTC-3E4283 | 1-3/8 | 8.68 |
| CTC-3E4183 | 1-1/2 | 7.58 |
| CTC-3E4195 | 1-1/2 | 8.74 |
| CTC-3E4215 | 1-1/2 | 10.60 |
| CTC-3E4184 | 1-5/8 | 8.08 |
| CTC-3E4201 | 1-5/8 | 9.83 |
| CTC-3E4185 | 1-3/4 | 8.56 |
| CTC-3E4216 | 1-3/4 | 11.77 |
| CTC-3E4287 | 1-3/4 | 9.55 |
| CTC-3E4186 | 2 | 9.54 |
| CTC-3E4196 | 2 | 10.45 |
| CTC-3E4217 | 2 | 12.58 |
| CTC-3E4227 | 2 | 17.79 |
| CTC-3E4187 | 2-1/4 | 10.65 |
| CTC-3E4197 | 2-1/4 | 11.73 |
| CTC-3E4218 | 2-1/4 | 14.90 |
| CTC-3E4228 | 2-1/4 | 19.81 |
| CTC-3E4188 | 2-3/8 | 30.97 |
| CTC-3E4204 | 2-3/8 | 13.42 |
| CTC-3E4189 | 2-1/2 | 11.48 |
| CTC-3E4198 | 2-1/2 | 12.91 |
| CTC-3E4219 | 2-1/2 | 15.04 |
| CTC-3E4229 | 2-1/2 | 20.87 |
| CTC-3E4285 | 2-1/2 | 17.45 |
| CTC-3E4199 | 2-3/4 | 14.09 |
| CTC-3E4220 | 2-3/4 | 16.34 |
| CTC-3E4230 | 2-3/4 | 23.81 |

NON-CATERPILLAR U-SEALS

| Part Number | Rod Dia. | List Price |
|-------------|----------|------------|
| CTC-3E4190 | 3 | \$13.88 |
| CTC-3E4200 | 3 | 15.22 |
| CTC-3E4221 | 3 | 17.66 |
| CTC-3E4231 | 3 | 24.79 |
| CTC-3E4222 | 3-3/8 | 19.62 |
| CTC-3E4286 | 3-3/8 | 22.78 |
| CTC-3E4191 | 3-1/2 | 16.54 |
| CTC-3E4202 | 3-1/2 | 17.57 |
| CTC-3E4223 | 3-1/2 | 24.86 |
| CTC-3E4232 | 3-1/2 | 28.17 |
| CTC-3E4192 | 3-3/4 | 19.34 |
| CTC-3E4203 | 3-3/4 | 18.59 |
| CTC-3E4224 | 3-3/4 | 26.45 |
| CTC-3E4225 | 4 | 23.18 |
| CTC-3E4233 | 4 | 31.81 |
| CTC-3E4205 | 4-1/4 | 24.21 |
| CTC-3E4206 | 4-1/2 | 27.84 |
| CTC-3E4234 | 4-1/2 | 34.94 |
| CTC-3E4207 | 4-3/4 | 30.57 |
| CTC-3E4208 | 5 | 32.22 |
| CTC-3E4226 | 5 | 36.80 |
| CTC-3E4235 | 5 | 38.29 |
| CTC-3E4209 | 5-1/4 | 36.65 |
| CTC-3E4210 | 5-1/2 | 36.52 |
| CTC-3E4236 | 5-1/2 | 41.46 |
| CTC-3E4211 | 6 | 38.20 |
| CTC-3E4237 | 6 | 44.35 |
| CTC-3E4212 | 6-1/2 | 43.27 |
| CTC-3E4238 | 6-1/2 | 47.02 |
| CTC-3E4213 | 7 | 46.86 |
| CTC-3E4239 | 7 | 58.38 |
| CTC-3E4240 | 7-1/2 | 58.79 |
| CTC-3E4214 | 8 | 56.71 |

REPLACEMENT PARTS FOR CATERPILLAR® EQUIPMENT

NOTE: CATERPILLAR kit numbers are used as a reference only. We do not imply that these kits are original REPLACEMENT PARTS.

WEAR RINGS

| Part Number | O.D. X Width | List Price |
|---------------|-----------------|------------|
| CTC-5J9073 | 1-1/2 X 0.485 | \$9.02 |
| CTC-8C9120 | 1-5/8 X 13/16 | 12.89 |
| CTC-4T6780 | 1-5/8 X .98 | 11.01 |
| CTC-8T5443 | 1-5/8 X 1-1/4 | 23.15 |
| CTC-4T6907 | 1-7/8 X .98 | 27.06 |
| CTC-8T6441 | 2 X 1/4 | 24.23 |
| CTC-8T6442 | 2 X .72 | 27.46 |
| CTC-4T6779 | 2 X .98 | 36.11 |
| CTC-4T5613 | 2-1/8 X 1 | 7.30 |
| CTC-8T7030 | 2-1/8 X 1-1/4 | 34.57 |
| CTC-8T6682 | 2-1/4 X .36 | 57.37 |
| CTC-8T6681 | 2-1/4 X .72 | 56.53 |
| CTC-7H2423 | 2-1/4 X 7/8 | 10.42 |
| CTC-4T6128 | 2-1/4 X .98 | 31.64 |
| CTC-8T4958 | 2-3/8 X 1 | 40.75 |
| CTC-8T8204 | 2-3/8 X 1-3/16 | 36.42 |
| CTC-8J6212 | 2-1/2 X 3/4 | 12.26 |
| CTC-9X7260 | 2-1/2 X 1.246 | 19.90 |
| CTC-009004097 | 2.51 X 3.11 | 53.13 |
| CTC-8T0785 | 2-5/8 X .98 | 39.54 |
| CTC-8T5668 | 2-5/8 X 1-1/4 | 45.32 |
| CTC-8T8394 | 2-5/8 X 1-11/16 | 57.86 |
| CTC-8T8365 | 2.7 X 2.28 | 86.63 |
| CTC-8J0112 | 2-3/4 X 15/16 | 17.47 |
| CTC-8T7372 | 2-3/4 X .97 | 16.41 |
| CTC-8C9200 | 2-7/8 X 1 | 49.03 |
| CTC-8C9114 | 2-7/8 X 1 | 49.03 |
| CTC-6C2385 | 2-7/8 X 1-1/4 | 41.15 |
| CTC-8T7849 | 2-7/8 X 1.57 | 57.29 |
| CTC-8T7020 | 2-7/8 X 1-13/16 | 37.26 |
| CTC-8T6743 | 2.95 X 1.96 | 72.76 |
| CTC-2233353 | 3 X 3/4 | 6.78 |
| CTC-6U0381 | 3 X 3/4 | 6.78 |
| CTC-6J5733 | 3 X .99 | 21.88 |
| CTC-8T6443 | 3 X 1 | 17.56 |
| CTC-4T7283 | 3 X 1.24 | 30.70 |
| CTC-8C9161 | 3-1/8 X .97 | 17.44 |
| CTC-9T0094 | 3-1/8 X 1.24 | 81.54 |
| CTC-8T1714 | 3-1/8 X 1-9/16 | 90.38 |
| CTC-8T7584 | 3-1/8 X 1-5/8 | 46.14 |

WEAR RINGS

| Part Number | O.D. X Width | List Price |
|-------------|---------------|------------|
| CTC-8C9153 | 3.20 X 1.17 | \$61.69 |
| CTC-8J2577 | 3-1/4 X 3/4 | 23.95 |
| CTC-8J6371 | 3-1/4 X 1.11 | 23.66 |
| CTC-8T6683 | 3-1/4 X 1-1/8 | 66.65 |
| CTC-8T0777 | 3-3/8 X 1.74 | 82.17 |
| CTC-2233502 | 3-3/8 X 3/4 | 6.78 |
| CTC-8T4813 | 3.45 X 1-5/8 | 59.72 |
| CTC-8T6745 | 3.45 X 1.96 | 67.57 |
| CTC-8T6744 | 3.45 X 2.74 | 97.62 |
| CTC-7J6916 | 3-1/2 X 5/8 | 6.78 |
| CTC-2233356 | 3-1/2 X 3/4 | 6.81 |
| CTC-7U7647 | 3-1/2 X 3/4 | 6.81 |
| CTC-6H5496 | 3-1/2 X 7/8 | 14.06 |
| CTC-5J3326 | 3-1/2 X 1-1/8 | 42.52 |
| CTC-7J9885 | 3-1/2 X 1-1/8 | 18.90 |
| CTC-4J3236 | 3-1/2 X 1-1/2 | 21.08 |
| CTC-8C5245 | 3-5/8 X 1.05 | 55.42 |
| CTC-8T3329 | 3-5/8 X 1.88 | 66.53 |
| CTC-8C3829 | 3.7 X 1.76 | 109.26 |
| CTC-1324907 | 3.7 X 1.88 | 98.09 |
| CTC-8T6746 | 3.7 X 2.36 | 106.36 |
| CTC-2233357 | 3-3/4 X 3/4 | 17.51 |
| CTC-1194761 | 3-3/4 X 1 | 20.48 |
| CTC-8J6245 | 3-3/4 X 1 | 20.48 |
| CTC-5J8019 | 3-3/4 X 1.24 | 20.81 |
| CTC-6J3075 | 3-3/4 X 1.99 | 56.09 |
| CTC-8T7848 | 3-7/8 X 1.57 | 90.97 |
| CTC-8T3330 | 3.95 X 2-7/16 | 112.11 |
| CTC-5J7154 | 4 X 5/8 | 20.37 |
| CTC-8H0214 | 4 X 7/8 | 14.33 |
| CTC-6J2797 | 4 X .99 | 27.41 |
| CTC-6U3246 | 4 X 1 | 7.96 |
| CTC-1M1571 | 4 x 1-1/4 | 31.89 |
| CTC-3G4723 | 4-1/8 X .42 | 24.50 |
| CTC-8T7538 | 4.2 X 1.56 | 92.90 |
| CTC-8T6747 | 4.2 X 2.55 | 78.23 |
| CTC-2259524 | 4-1/4 X 3/4 | 10.74 |
| CTC-1194760 | 4-1/4 X 1 | 17.72 |
| CTC-6J7264 | 4-1/4 X 1 | 35.57 |
| CTC-6J4003 | 4-1/4 X 1-1/4 | 19.47 |

WEAR RINGS

| Part Number | O.D. X Width | List Price |
|-------------|---------------|------------|
| CTC-5J8157 | 4-1/4 X 1.49 | \$25.97 |
| CTC-4T4753 | 4-1/4 X 1.88 | 41.50 |
| CTC-7J3300 | 4.258 X 2.49 | 72.80 |
| CTC-8T6748 | 4.45 X 2-3/8 | 87.43 |
| CTC-2264162 | 4-1/2 X 3/4 | 18.60 |
| CTC-2233360 | 4-3/4 X 3/4 | 22.56 |
| CTC-5U3531 | 4-1/2 X 3/4 | 7.11 |
| CTC-6H6270 | 4-1/2 X 7/8 | 16.82 |
| CTC-4J4605 | 4-1/2 X 15/16 | 21.69 |
| CTC-1460744 | 4-1/2 X 1 | 20.67 |
| CTC-4J3745 | 4-1/2 X 1 | 20.67 |
| CTC-6U4154 | 4-1/2 X 1 | 9.75 |
| CTC-4J2630 | 4-1/2 X 1-1/2 | 30.52 |
| CTC-4J2620 | 4-1/2 X 1-1/2 | 29.95 |
| CTC-6J4175 | 4-1/2 X 1.86 | 49.51 |
| CTC-4T8758 | 4-1/2 X 1.86 | 49.51 |
| CTC-0901301 | 4-1/2 X 2.362 | 82.51 |
| CTC-4T9248 | 4-3/4 X 1-1/4 | 29.09 |
| CTC-4J3342 | 4-3/4 X 1-1/4 | 29.09 |
| CTC-5J3326 | 4-3/4 X 1-1/4 | 42.52 |
| CTC-1317184 | 4-3/4 X 1.64 | 53.32 |
| CTC-3J7663 | 4-3/4 X 1.99 | 137.09 |
| CTC-9J9792 | 4-3/4 X 3-1/2 | 85.23 |
| CTC-4T6929 | 4-3/4 X 3-1/2 | 85.23 |
| CTC-8T7850 | 4.950 X 1.96 | 65.34 |
| CTC-2263860 | 5 X 3/4 | 27.48 |
| CTC-7J1627 | 5 X 0.85 | 28.07 |
| CTC-4J4630 | 5 X 1-1/8 | 24.27 |
| CTC-8M4226 | 5 X 1.24 | 52.79 |
| CTC-4J3420 | 5 X 1.55 | 25.62 |
| CTC-4T4752 | 5 X 1-3/4 | 30.97 |
| CTC-8T3331 | 5.2 X 2-1/2 | 109.26 |
| CTC-7J8878 | 5-1/4 X 3/16 | 12.42 |
| CTC-9J7978 | 5-1/4 X 3/4 | 34.24 |
| CTC-2D0714 | 5-1/4 X 1.02 | 56.05 |
| CTC-9J7978 | 5-1/4 X 1.49 | 34.24 |
| CTC-9J3054 | 5-1/4 X 3.61 | 109.23 |
| CTC-4T5718 | 5.45 X 2.49 | 70.21 |
| CTC-1546747 | 5-3/8 X 1 | 20.72 |
| CTC-5U4278 | 5-1/2 X 3/4 | 7.43 |

REPLACEMENT PARTS FOR CATERPILLAR® EQUIPMENT

NOTE: CATERPILLAR part numbers are used as a reference only. We do not imply that these kits are original REPLACEMENT PARTS.

WEAR RINGS

| Part Number | O.D. X Width | List Price |
|-------------|-----------------|------------|
| CTC-4J4606 | 5-1/2 X 1-1/4 | \$27.46 |
| CTC-3J9026 | 5-1/2 X 1-3/8 | 53.69 |
| CTC-7J3303 | 5-1/2 X 1.61 | 68.28 |
| CTC-9J7191 | 5-1/2 X 1.74 | 84.25 |
| CTC-1898686 | 5-1/2 X 1-3/4 | 84.25 |
| CTC-7J1731 | 5-1/2 X 1-3/4 | 36.79 |
| CTC-4J3518 | 5-1/2 X 1.99 | 75.33 |
| CTC-8C9112 | 5-1/2 X 1.99 | 75.33 |
| CTC-8J1690 | 5-1/2 X 2.24 | 88.45 |
| CTC-5I8591 | 5-11/16 X 5/16 | 73.94 |
| CTC-1724019 | 5-3/4 X 1.61 | 109.93 |
| CTC-9J4164 | 5-3/4 X 1.62 | 109.93 |
| CTC-6J3074 | 5-3/4 X 1.99 | 85.94 |
| CTC-8J9917 | 5-3/4 X 2.36 | 117.71 |
| CTC-8T7851 | 5.95 X 1.96 | 100.42 |
| CTC-8T3332 | 5.95 X 3.61 | 165.39 |
| CTC-7J8877 | 6 X 3/16 | 33.89 |
| CTC-3G6537 | 6 X 1.07 | 48.04 |
| CTC-5J0014 | 6 X 1-1/4 | 38.09 |
| CTC-1J0708 | 6 X 1-5/16 | 40.70 |
| CTC-9J5860 | 6 X 1-1/2 | 37.02 |
| CTC-7J5326 | 6 X 1-3/4 | 68.69 |
| CTC-4T6930 | 6 X 2.74 | 194.82 |
| CTC-8J1746 | 6 X 2.74 | 194.82 |
| CTC-8J1764 | 6 X 2.74 | 194.82 |
| CTC-8J1714 | 6 X 2.86 | 146.84 |
| CTC-5J3326 | 6-1/4 X 1.49 | 42.52 |
| CTC-9J5550 | 6-1/4 X 1-3/4 | 70.96 |
| CTC-4T9319 | 6-1/4 X 2.74 | 197.03 |
| CTC-3657618 | 6-1/4 X 3-31/64 | 189.93 |
| CTC-5J0058 | 6-1/2 X 1-1/4 | 39.00 |
| CTC-7J8880 | 6-1/2 X 1/4 | 31.91 |
| CTC-4J7532 | 6-1/2 X 1 | 29.54 |
| CTC-3J9027 | 6-1/2 X 1.37 | 35.30 |
| CTC-9T0096 | 6-1/2 X 1-1/2 | 35.50 |
| CTC-3J9703 | 6-1/2 X 1-1/2 | 35.50 |
| CTC-9J9806 | 6-1/2 X 1.74 | 70.65 |
| CTC-7J1938 | 6-1/2 X 2 | 59.88 |
| CTC-9J3055 | 6-1/2 X 2.74 | 197.03 |
| CTC-7J9232 | 6-1/2 X 2.86 | 97.29 |

WEAR RINGS

| Part Number | O.D. X Width | List Price |
|-------------|-----------------|------------|
| CTC-9J0811 | 6-1/2 X 3.485 | \$189.93 |
| CTC-7J8881 | 6-1/2 X 3.49 | 252.98 |
| CTC-1915604 | 6-3/4 X 0.99 | 71.66 |
| CTC-8M4228 | 7 X 1.485 | 31.59 |
| CTC-3G5098 | 7 X 1.74 | 70.83 |
| CTC-9J0711 | 7 X 1.99 | 73.66 |
| CTC-3G3470 | 7 X 2.365 | 176.52 |
| CTC-8J1662 | 7 X 3-1/8 | 72.98 |
| CTC-8T6749 | 7.2 X 3.14 | 72.72 |
| CTC-1476585 | 7.200 X 2.35 | 135.98 |
| CTC-1080130 | 7.698 X 3.13 | 61.89 |
| CTC-1J2674 | 7-1/4 X 1-3/8 | 77.71 |
| CTC-3J7848 | 7-1/4 X 2 | 76.40 |
| CTC-3657619 | 7-1/4 X 2-23/64 | 113.17 |
| CTC-1U1734 | 7-1/4 X 3-1/16 | 213.19 |
| CTC-8T7693 | 7-1/4 X 7.1 | 364.46 |
| CTC-4J7663 | 7-1/4 X 7.10 | 364.46 |
| CTC-8T1127 | 7-3/8 X 1.61 | 77.10 |
| CTC-1U2218 | 7-1/2 X 1-1/2 | 61.13 |
| CTC-8J9936 | 7-1/2 X 2.36 | 113.17 |
| CTC-9J5562 | 7-1/2 X 2-1/2 | 108.10 |
| CTC-4T4811 | 7-1/2 X 2.95 | 90.19 |
| CTC-7J8886 | 7-3/4 X 1/4 | 15.98 |
| CTC-5J5037 | 7-3/4 X 1.61 | 150.88 |
| CTC-9J5037 | 7-3/4 X 1.61 | 150.88 |
| CTC-9J3624 | 7-3/4 X 1.99 | 82.15 |
| CTC-7J9247 | 7-3/4 X 3-1/2 | 186.33 |
| CTC-4T6932 | 7-3/4 X 4.49 | 340.60 |
| CTC-3G4625 | 7-3/4 X 4.49 | 340.60 |
| CTC-1214703 | 8 X 2.93 | 139.11 |
| CTC-4J9047 | 8 X 5 | 174.74 |
| CTC-8T7695 | 8 X 5 | 174.74 |
| CTC-6E0245 | 8.200 X 2.950 | 172.75 |
| CTC-7J8887 | 8-1/4 X 1/4 | 63.59 |
| CTC-2J0745 | 8-1/4 X 1-1/4 | 40.38 |
| CTC-4J7376 | 8-1/4 X 1-1/2 | 54.66 |
| CTC-3J8683 | 8-1/4 X 1-3/4 | 70.23 |
| CTC-3G9882 | 8-1/4 X 1.99 | 175.32 |
| CTC-8J8375 | 8-1/4 X 2-1/8 | 108.82 |
| CTC-3J7632 | 8-1/4 X 2-1/4 | 116.33 |

WEAR RINGS

| Part Number | O.D. X Width | List Price |
|-------------|----------------|------------|
| CTC-7J3301 | 8-1/4 X 2.49 | \$178.83 |
| CTC-9J8102 | 8-1/4 X 2.74 | 241.82 |
| CTC-8T7694 | 8-1/2 X 3 | 179.58 |
| CTC-4T9320 | 8-1/4 X 3-1/2 | 250.27 |
| CTC-9J3056 | 8-1/4 X 4.11 | 123.11 |
| CTC-7J8064 | 8-1/2 X 2.36 | 157.37 |
| CTC-9M1604 | 8-1/2 X 3 | 179.58 |
| CTC-1628361 | 8.778 X 0.465 | 91.84 |
| CTC-1628362 | 8.994 X 1-1/64 | 84.95 |
| CTC-6E0248 | 9 X 2.946 | 112.75 |
| CTC-1J5281 | 9-1/4 X 1-3/4 | 71.73 |
| CTC-4T5949 | 9-1/4 X 1.96 | 107.35 |
| CTC-7J2087 | 9-1/4 X 2-1/4 | 178.99 |
| CTC-8C3846 | 9-3/8 X 9 | 443.27 |
| CTC-4T6097 | 9-1/2 X 1.93 | 244.60 |
| CTC-1669058 | 9.528 X 0.465 | 114.80 |
| CTC-1214175 | 10 X 1.9 | 116.18 |
| CTC-1178865 | 10 X 1-1/2 | 107.63 |
| CTC-8C3843 | 10 X 2.74 | 183.28 |
| CTC-9J3369 | 10 X 3-1/4 | 142.10 |
| CTC-7J8890 | 10-1/4 X 0.243 | 37.45 |
| CTC-2299443 | 10-1/2 X 2.382 | 165.83 |
| CTC-9J1159 | 10 1/2 X 2.74 | 241.13 |
| CTC-8J8900 | 10-1/2 X 3-3/4 | 142.68 |
| CTC-8J5980 | 10-1/2 X 4 | 203.88 |
| CTC-8T6637 | 10-3/4 X 6-1/2 | 550.01 |
| CTC-6E0249 | 11 X 1.923 | 124.90 |
| CTC-1080124 | 11 X 3.235 | 306.80 |
| CTC-8T1129 | 11-3/8 X 2.61 | 173.72 |
| CTC-4T4815 | 11-1/2 X 3.99 | 268.34 |
| CTC-9J2991 | 11-1/2 X 3-7/8 | 156.62 |
| CTC-4T6096 | 12-1/4 X 4 | 379.26 |
| CTC-1U2694 | 12-1/2 X 4 | 275.17 |
| CTC-6E0308 | 12-1/2 X 1.460 | 165.36 |
| CTC-1530119 | 12-3/4 X 4 | 313.92 |
| CTC-8T1130 | 12-7/8 X 2.86 | 212.95 |
| CTC-1944420 | 12-7/8 X 4.03 | 956.31 |
| CTC-4T4827 | 12-7/8 X 12.18 | 1188.89 |
| CTC-1U4627 | 13-1/8 X 7.85 | 1009.33 |
| CTC-9X7439 | 13-7/8 X 2.36 | 211.94 |

REPLACEMENT PARTS FOR CATERPILLAR® EQUIPMENT

NOTE: CATERPILLAR kit numbers are used as a reference only. We do not imply that these kits are original REPLACEMENT PARTS.

WEAR RINGS

| Part Number | O.D. X Width | List Price |
|-------------|---------------|------------|
| CTC-9X3563 | 13-7/8 X 10 | \$857.12 |
| CTC-6E0247 | 13-3/4 X 4 | 346.32 |
| CTC-4T4129 | 14-1/4 X 3.99 | 361.61 |
| CTC-4T4825 | 15-1/8 X 7.71 | 893.17 |
| CTC-9X3564 | 16-1/8 X 7.69 | 844.25 |
| CTC-1449482 | 33 X 14.2 mm | 9.37 |
| CTC-1473779 | 38 X 14.2 mm | 9.53 |
| CTC-1449494 | 43 X 14.2 mm | 8.02 |
| CTC-1509403 | 48 X 14.2 mm | 9.93 |
| CTC-1438916 | 48 X 25 mm | 14.58 |
| CTC-1794354 | 50 X 15 mm | 13.14 |
| CTC-2659682 | 50 X 24.5 mm | 20.18 |
| CTC-1410709 | 53 X 24.5 mm | 20.18 |
| CTC-0908007 | 55 X 7.9 mm | 25.32 |
| CTC-1449486 | 60 X 14.8 mm | 10.80 |
| CTC-1980663 | 60 X 18 mm | 7.95 |
| CTC-1183121 | 60 X 9.5 mm | 10.12 |
| CTC-1890589 | 63 X 20 mm | 14.97 |
| CTC-1400176 | 63 X 24.8 mm | 34.53 |
| CTC-2047227 | 65 X 10 mm | 9.22 |
| CTC-1449491 | 65 X 14.8 mm | 11.13 |
| CTC-2377904 | 65 X 6 mm | 10.95 |
| CTC-1404272 | 70 X 11.8 mm | 90.45 |
| CTC-1754720 | 70 X 12 mm | 90.45 |
| CTC-1512566 | 70 X 14.8 mm | 11.13 |
| CTC-2377088 | 70 X 6 mm | 11.87 |
| CTC-3406272 | 70 X 6.9 mm | 9.26 |
| CTC-1057252 | 80 X 6 mm | 32.68 |
| CTC-2508733 | 75 X 10 mm | 14.90 |
| CTC-1920683 | 75 X 11.8 mm | 121.53 |
| CTC-1509402 | 75 X 14.8 mm | 11.39 |
| CTC-1438918 | 75 X 29.8 mm | 27.36 |
| CTC-1991142 | 75 X 6 mm | 32.23 |
| CTC-2812315 | 75 X 6 mm | 32.23 |
| CTC-1930783 | 75 X 9.8 mm | 3.41 |
| CTC-1865147 | 78 X 25 mm | 26.51 |
| CTC-1931393 | 80 X 10 mm | 4.73 |
| CTC-1463922 | 80 X 11.8 mm | 140.21 |
| CTC-5180952 | 80 X 29.8 mm | 16.15 |
| CTC-0997002 | 80 X 30 mm | 19.44 |

WEAR RINGS

| Part Number | O.D. X Width | List Price |
|-------------|---------------|------------|
| CTC-0997003 | 80 X 6 mm | \$78.12 |
| CTC-2376136 | 80 X 6 mm | 13.69 |
| CTC-3438050 | 80 X 9.5 mm | 6.45 |
| CTC-1052630 | 81.3 X 5.9 mm | 44.82 |
| CTC-1865148 | 83 X 25 mm | 26.73 |
| CTC-2639887 | 85 X 12.5 mm | 10.54 |
| CTC-1463967 | 85 X 14.8 mm | 158.98 |
| CTC-1512565 | 85 X 15 mm | 23.97 |
| CTC-1231667 | 85 X 29.8 mm | 10.09 |
| CTC-3825818 | 85 X 29.8 mm | 10.09 |
| CTC-1379009 | 85 X 6 mm | 61.48 |
| CTC-2781986 | 85 X 6 mm | 38.41 |
| CTC-1990601 | 85 X 6 mm | 38.41 |
| CTC-3825816 | 85 X 6 mm | 7.03 |
| CTC-1934312 | 85 X 9.8 mm | 3.91 |
| CTC-2659683 | 88 X 25 mm | 34.53 |
| CTC-0861044 | 90 X 10 mm | 69.57 |
| CTC-1931367 | 90 X 10 mm | 18.00 |
| CTC-1463993 | 90 X 14.8 mm | 158.55 |
| CTC-0996976 | 90 X 3 mm | 29.23 |
| CTC-1992095 | 90 X 5.9 | 7.63 |
| CTC-0996977 | 90 X 6 mm | 44.82 |
| CTC-1057388 | 91.3 X 5.9 mm | 43.03 |
| CTC-1865397 | 93 X 24.9 mm | 49.14 |
| CTC-2773390 | 95 X 12.5 mm | 7.83 |
| CTC-1522463 | 95 X 14.8 mm | 68.27 |
| CTC-3825788 | 95 X 25 mm | 10.35 |
| CTC-2613637 | 95 X 25.4 mm | 31.95 |
| CTC-3049304 | 95 X 29.8 mm | 12.68 |
| CTC-3049303 | 95 X 6 mm | 46.67 |
| CTC-4153111 | 95 X 6 mm | 13.69 |
| CTC-1931769 | 100 X 10 mm | 7.27 |
| CTC-2332589 | 100 X 12.5 mm | 18.60 |
| CTC-1183127 | 100 X 14.8 mm | 21.25 |
| CTC-2057955 | 100 X 14.8 mm | 173.77 |
| CTC-1438024 | 100 X 22.4 mm | 35.70 |
| CTC-2332588 | 100 X 25 mm | 24.11 |
| CTC-0931605 | 100 X 30 mm | 14.29 |
| CTC-1195456 | 100 X 30 mm | 21.50 |
| CTC-0931628 | 100 X 5.9 mm | 89.60 |

WEAR RINGS

| Part Number | O.D. X Width | List Price |
|---------------|----------------|------------|
| CTC-1438033 | 100 X 5.9 mm | \$24.86 |
| CTC-1438025 | 100 X 6 mm | 20.06 |
| CTC-1989424 | 100 X 6.2 mm | 17.64 |
| CTC-4161303 | 100 X 7.9 mm | 28.11 |
| CTC-2835953 | 100 X 9 mm | 8.56 |
| CTC-4161301 | 100 X 9.5 mm | 17.34 |
| CTC-1079306 | 105 x 15 mm | 55.22 |
| CTC-2835927 | 110 X 11 mm | 38.62 |
| CTC-3438052 | 110 X 14.8 mm | 3.28 |
| CTC-1438030 | 110 X 22.4 mm | 36.56 |
| CTC-0931603 | 110 X 30 mm | 37.16 |
| CTC-1195434 | 110 X 30 mm | 31.77 |
| CTC-A04901911 | 110 X 30 mm | 37.16 |
| CTC-3825756 | 110 X 30 mm | 37.16 |
| CTC-1057354 | 110 X 35 mm | 33.02 |
| CTC-1336678 | 110 X 35 mm | 33.02 |
| CTC-0931629 | 110 X 5.9 mm | 97.84 |
| CTC-1438031 | 110 X 5.9 mm | 21.58 |
| CTC-1438034 | 110 X 5.9 mm | 26.48 |
| CTC-1505846 | 110 X 5.9 mm | 97.84 |
| CTC-1600033 | 110 X 5.9 mm | 97.84 |
| CTC-1052629 | 110 X 5.9 mm | 97.84 |
| CTC-3825754 | 110 X 6 mm | 8.46 |
| CTC-4153108 | 110 X 6 mm | 15.43 |
| CTC-1505845 | 110 X 7.9 mm | 14.55 |
| CTC-2478994 | 110 X 7.9 mm | 16.93 |
| CTC-4161282 | 110 X 7.9 mm | 12.10 |
| CTC-4161279 | 110 X 9.5 mm | 18.17 |
| CTC-1475819 | 110 X 27.35 mm | 18.80 |
| CTC-1838982 | 115 X 6 mm | 11.03 |
| CTC-2835940 | 120 X 11 mm | 24.63 |
| CTC-3438053 | 120 X 14.8 mm | 3.28 |
| CTC-1589063 | 120 X 15.5 mm | 27.42 |
| CTC-1438028 | 120 X 22.4 mm | 40.06 |
| CTC-1475837 | 120 X 27.35 mm | 51.13 |
| CTC-0931604 | 120 X 30 mm | 39.43 |
| CTC-1195445 | 120 X 30 mm | 33.04 |
| CTC-3825840 | 120 X 30 mm | 39.43 |
| CTC-0875505 | 120 X 35 mm | 63.25 |
| CTC-1184130 | 120 X 35 mm | 63.25 |

REPLACEMENT PARTS FOR CATERPILLAR® EQUIPMENT

NOTE: CATERPILLAR part numbers are used as a reference only. We do not imply that these kits are original REPLACEMENT PARTS.

WEAR RINGS

| Part Number | O.D. X Width | List Price |
|-------------|---------------|------------|
| CTC-1438027 | 120 X 5.9 mm | \$23.10 |
| CTC-1438035 | 120 X 5.9 mm | 27.41 |
| CTC-0931630 | 120 X 6 mm | 44.67 |
| CTC-3825839 | 120 X 6 mm | 34.79 |
| CTC-0964406 | 120 X 7.9 mm | 15.67 |
| CTC-1261936 | 120 X 7.9 mm | 15.67 |
| CTC-1663003 | 120 X 7.9 mm | 16.16 |
| CTC-2478865 | 120 X 7.9 mm | 15.67 |
| CTC-0860255 | 120 X 8 mm | 58.12 |
| CTC-4161292 | 120 X 8 mm | 58.12 |
| CTC-4161290 | 120 X 9.5 mm | 19.82 |
| CTC-1865137 | 125 X 27.8 mm | 36.33 |
| CTC-0961565 | 125 X 8 mm | 60.55 |
| CTC-1357939 | 130 X 14.8 mm | 27.41 |
| CTC-3438054 | 130 X 14.8 mm | 6.34 |
| CTC-1704829 | 130 X 15 mm | 61.89 |
| CTC-1799771 | 130 X 18.1 mm | 48.44 |
| CTC-1475852 | 130 X 30 mm | 50.07 |
| CTC-1184019 | 130 X 40 mm | 77.89 |
| CTC-7Y4636 | 130 X 40 mm | 77.89 |
| CTC-1261871 | 130 X 7.9 mm | 17.43 |
| CTC-1475853 | 130 X 7.9 mm | 25.77 |
| CTC-1505884 | 130 X 7.9 mm | 30.21 |
| CTC-2479006 | 130 X 7.9 mm | 17.43 |
| CTC-4I9392 | 130 X 7.9 mm | 17.43 |
| CTC-0861346 | 130 X 8 mm | 61.64 |
| CTC-7Y4632 | 130 X 8 mm | 61.64 |

WEAR RINGS

| Part Number | O.D. X Width | List Price |
|-------------|----------------|------------|
| CTC-2344483 | 135 X 18.1 mm | \$24.33 |
| CTC-2344485 | 135 X 7.75 mm | 49.87 |
| CTC-2344585 | 135 X 7.9 mm | 19.23 |
| CTC-2344586 | 135 X 8 mm | 62.79 |
| CTC-1645168 | 140 X 19.5 mm | 111.98 |
| CTC-1589065 | 140 X 20.35 mm | 68.79 |
| CTC-1183995 | 140 X 45 mm | 84.40 |
| CTC-0961571 | 140 X 8 mm | 63.59 |
| CTC-0961800 | 140 X 8 mm | 63.59 |
| CTC-1076264 | 140 X 8 mm | 63.59 |
| CTC-1076263 | 140 X 9.5 mm | 31.39 |
| CTC-1211555 | 140 X 9.5 mm | 31.39 |
| CTC-1261877 | 140 X 9.5 mm | 31.39 |
| CTC-2478874 | 140 X 9.5 mm | 31.39 |
| CTC-4I3632 | 140 X 9.5 mm | 31.39 |
| CTC-3512193 | 150 X 14.8 mm | 7.84 |
| CTC-1873464 | 150 X 20 mm | 37.16 |
| CTC-1163589 | 150 X 45 mm | 89.37 |
| CTC-7Y4697 | 150 X 45 mm | 89.37 |
| CTC-1884218 | 150 X 7.8 mm | 23.79 |
| CTC-0961581 | 150 X 7.9 mm | 130.32 |
| CTC-1140713 | 150 X 8 mm | 70.21 |
| CTC-1140712 | 150 X 9.5 mm | 20.06 |
| CTC-1948357 | 150 X 9.5 mm | 20.06 |
| CTC-2344574 | 150 X 9.5 mm | 20.06 |
| CTC-5391741 | 160 X 7.9 mm | 19.41 |
| CTC-5391742 | 160 X 12.3 mm | 15.64 |

WEAR RINGS

| Part Number | O.D. X Width | List Price |
|-------------|---------------|------------|
| CTC-1850230 | 160 X 20.5 mm | \$51.83 |
| CTC-1183944 | 160 X 45 mm | 93.88 |
| CTC-1992095 | 160 X 7.9 mm | 7.63 |
| CTC-0963201 | 160 X 8.9 mm | 173.10 |
| CTC-1850231 | 160 X 8.9 mm | 15.19 |
| CTC-1057262 | 170 X 50 mm | 130.46 |
| CTC-1915605 | 170 X 9.2 mm | 12.97 |
| CTC-1438138 | 180 X 28 mm | 71.06 |
| CTC-1052653 | 180 X 55 mm | 147.63 |
| CTC-0965167 | 180 X 8.9 mm | 164.35 |
| CTC-1475787 | 180 X 8.9 mm | 23.04 |
| CTC-2042845 | 190 X 28.5 mm | 73.91 |
| CTC-1261974 | 190 X 55 mm | 117.56 |
| CTC-1261976 | 190 X 8.9 mm | 109.90 |
| CTC-2042846 | 190 X 9.2 mm | 18.49 |
| CTC-1475738 | 200 X 28 mm | 64.71 |
| CTC-9X3570 | 200 X 59.8 mm | 238.15 |
| CTC-0857248 | 200 X 8.9 mm | 229.60 |
| CTC-1475776 | 200 X 9 mm | 29.21 |
| CTC-1559093 | 202 X 28.3 mm | 81.19 |
| CTC-1559094 | 202 X 9 mm | 15.22 |
| CTC-1251204 | 213.5 X 38 mm | 94.54 |
| CTC-1704828 | 220 X 15 mm | 92.83 |
| CTC-6E0496 | 220 X 59.8 mm | 107.90 |
| CTC-4I6443 | 220 X 8.9 mm | 242.89 |

REPLACEMENT PARTS FOR CATERPILLAR® EQUIPMENT

NOTE: CATERPILLAR kit numbers are used as a reference only. We do not imply that these kits are original REPLACEMENT PARTS.

WIPERS

| Part Number | Rod Dia. | List Price |
|-------------|----------|------------|
| CTC-5M6708 | 0.6 | \$4.42 |
| CTC-2287467 | 5/8 | 10.13 |
| CTC-5J2274 | 5/8 | 3.61 |
| CTC-6J2274 | 5/8 | 3.61 |
| CTC-6J1879 | 3/4 | 3.61 |
| CTC-0352379 | 7/8 | 5.50 |
| CTC-1K9060 | 7/8 | 3.51 |
| CTC-3E4124 | 1 | 5.62 |
| CTC-6J1890 | 1 | 3.61 |
| CTC-7K1864 | 1 | 14.11 |
| CTC-3E4138 | 1-1/8 | 3.18 |
| CTC-0303232 | 1-1/4 | 6.24 |
| CTC-1890218 | 1-1/4 | 18.25 |
| CTC-3E4125 | 1-1/4 | 6.24 |
| CTC-3E4139 | 1-1/4 | 3.47 |
| CTC-3E4160 | 1-1/4 | 18.25 |
| CTC-4J8982 | 1-1/4 | 21.11 |
| CTC-3E4140 | 1-3/8 | 3.70 |
| CTC-3E4159 | 1-3/8 | 18.47 |
| CTC-1672450 | 1-1/2 | 34.92 |
| CTC-2268202 | 1-1/2 | 34.92 |
| CTC-3E4161 | 1-1/2 | 18.65 |
| CTC-4J8979 | 1-1/2 | 19.44 |
| CTC-5J6795 | 1-1/2 | 4.61 |
| CTC-8C9131 | 1-1/2 | 34.92 |
| CTC-3E4103 | 1-1/2 | 2.22 |
| CTC-3E4126 | 1-1/2 | 7.18 |
| CTC-3E4141 | 1-1/2 | 4.07 |
| CTC-4T0486 | 1-5/8 | 19.72 |
| CTC-3E4163 | 1-5/8 | 4.32 |
| CTC-3E4104 | 1-5/8 | 2.32 |
| CTC-3081880 | 1-3/4 | 35.57 |
| CTC-7U7648 | 1-3/4 | 4.55 |
| CTC-1506739 | 1-3/4 | 35.57 |
| CTC-2313539 | 1-3/4 | 35.57 |
| CTC-3E4105 | 1-3/4 | 2.32 |
| CTC-3E4162 | 1-3/4 | 20.15 |
| CTC-4J8980 | 1-3/4 | 20.51 |
| CTC-7J6932 | 1-3/4 | 20.15 |
| CTC-7K9202 | 1-3/4 | 20.15 |

WIPERS

| Part Number | Rod Dia. | List Price |
|-------------|----------|------------|
| CTC-8C9132 | 1-3/4 | \$35.57 |
| CTC-9D6582 | 1-3/4 | 20.15 |
| CTC-1672452 | 1-3/4 | 35.57 |
| CTC-3E4127 | 1-3/4 | 7.63 |
| CTC-3E4142 | 1-3/4 | 4.55 |
| CTC-3E4150 | 1-3/4 | 5.32 |
| CTC-1672455 | 1-7/8 | 36.15 |
| CTC-2271143 | 1-7/8 | 36.15 |
| CTC-3G4721 | 1-7/8 | 5.35 |
| CTC-3P1347 | 1-7/8 | 20.64 |
| CTC-4T6777 | 1-7/8 | 21.99 |
| CTC-1672457 | 2 | 37.26 |
| CTC-2299382 | 2 | 37.26 |
| CTC-2332606 | 2 | 37.26 |
| CTC-3081845 | 2 | 37.26 |
| CTC-1K6981 | 2 | 26.39 |
| CTC-3E4106 | 2 | 2.36 |
| CTC-3E4128 | 2 | 8.71 |
| CTC-3E4143 | 2 | 4.77 |
| CTC-3E4151 | 2 | 6.05 |
| CTC-3E4164 | 2 | 20.90 |
| CTC-4T0415 | 2 | 5.41 |
| CTC-5P0093 | 2 | 6.31 |
| CTC-5U3693 | 2 | 5.41 |
| CTC-7K9203 | 2 | 23.22 |
| CTC-8C9133 | 2 | 37.26 |
| CTC-8J6416 | 2 | 20.90 |
| CTC-9D6583 | 2 | 23.22 |
| CTC-1506745 | 2-1/8 | 38.07 |
| CTC-1672458 | 2-1/8 | 38.07 |
| CTC-2271145 | 2-1/8 | 38.07 |
| CTC-2332607 | 2-1/8 | 38.07 |
| CTC-4T6125 | 2-1/8 | 15.29 |
| CTC-3P1345 | 2-3/16 | 27.42 |
| CTC-0346124 | 2-1/4 | 22.38 |
| CTC-1672459 | 2-1/4 | 38.84 |
| CTC-2313538 | 2-1/4 | 38.84 |
| CTC-3E4107 | 2-1/4 | 2.51 |
| CTC-4J3515 | 2-1/4 | 23.41 |
| CTC-6J0217 | 2-1/4 | 5.73 |

WIPERS

| Part Number | Rod Dia. | List Price |
|-------------|----------|------------|
| CTC-7K9204 | 2-1/4 | \$22.38 |
| CTC-8C9134 | 2-1/4 | 38.84 |
| CTC-3E4129 | 2-1/4 | 9.16 |
| CTC-3E4144 | 2-1/4 | 5.04 |
| CTC-3E4152 | 2-1/4 | 6.37 |
| CTC-3E4165 | 2-1/4 | 22.38 |
| CTC-1672461 | 2-3/8 | 40.32 |
| CTC-2313540 | 2-3/8 | 40.32 |
| CTC-3E4167 | 2-3/8 | 5.04 |
| CTC-3P1461 | 2-3/8 | 19.18 |
| CTC-5J8016 | 2-3/8 | 6.01 |
| CTC-6J3892 | 2-3/8 | 19.33 |
| CTC-8T1308 | 2-3/8 | 19.18 |
| CTC-9J1319 | 2-3/8 | 19.33 |
| CTC-1672463 | 2-1/2 | 41.84 |
| CTC-2253281 | 2-1/2 | 41.84 |
| CTC-2271148 | 2-1/2 | 25.96 |
| CTC-7J8273 | 2-1/2 | 25.75 |
| CTC-1K6982 | 2-1/2 | 25.75 |
| CTC-3E4130 | 2-1/2 | 9.64 |
| CTC-3E4153 | 2-1/2 | 6.71 |
| CTC-5J8156 | 2-1/2 | 6.39 |
| CTC-7K9205 | 2-1/2 | 25.33 |
| CTC-8C3840 | 2-1/2 | 41.84 |
| CTC-9D6585 | 2-1/2 | 25.33 |
| CTC-3E4108 | 2-1/2 | 2.83 |
| CTC-3E4145 | 2-1/2 | 5.04 |
| CTC-3E4166 | 2-1/2 | 25.33 |
| CTC-1672464 | 2-5/8 | 35.96 |
| CTC-1U4021 | 2-5/8 | 35.96 |
| CTC-2271146 | 2-5/8 | 35.96 |
| CTC-3E4131 | 2-5/8 | 10.27 |
| CTC-3G4719 | 2-5/8 | 6.39 |
| CTC-7K9207 | 2-5/8 | 25.75 |
| CTC-9D6586 | 2-5/8 | 25.75 |
| CTC-9X3569 | 2-5/8 | 35.96 |
| CTC-1491488 | 2-3/4 | 44.31 |
| CTC-2253283 | 2-3/4 | 44.31 |
| CTC-1J3540 | 2-3/4 | 31.24 |
| CTC-3E4168 | 2-3/4 | 28.68 |

REPLACEMENT PARTS FOR CATERPILLAR® EQUIPMENT

NOTE: CATERPILLAR part numbers are used as a reference only. We do not imply that these kits are original REPLACEMENT PARTS.

WIPERS

| Part Number | Rod Dia. | List Price |
|-------------|----------|------------|
| CTC-5J7036 | 2-3/4 | \$6.59 |
| CTC-7K9208 | 2-3/4 | 28.68 |
| CTC-7J8274 | 2-3/4 | 31.24 |
| CTC-7U4137 | 2-3/4 | 6.59 |
| CTC-8C3842 | 2-3/4 | 44.31 |
| CTC-9D6588 | 2-3/4 | 28.68 |
| CTC-1672467 | 2-3/4 | 44.31 |
| CTC-3E4109 | 2-3/4 | 3.00 |
| CTC-3E4132 | 2-3/4 | 11.03 |
| CTC-3E4169 | 2-3/4 | 5.80 |
| CTC-1672469 | 3 | 45.77 |
| CTC-2253284 | 3 | 45.77 |
| CTC-2J1411 | 3 | 34.23 |
| CTC-3E4110 | 3 | 3.49 |
| CTC-3E4133 | 3 | 12.39 |
| CTC-3E4146 | 3 | 6.07 |
| CTC-3E4154 | 3 | 8.58 |
| CTC-3E4170 | 3 | 29.50 |
| CTC-5J7030 | 3 | 6.85 |
| CTC-5P4061 | 3 | 25.01 |
| CTC-7K9209 | 3 | 29.50 |
| CTC-8C5218 | 3 | 45.77 |
| CTC-8J0249 | 3 | 34.23 |
| CTC-9D6589 | 3 | 29.50 |
| CTC-2313542 | 3 | 45.77 |
| CTC-3124247 | 3 | 45.77 |
| CTC-3G5050 | 3-1/8 | 26.27 |
| CTC-5P4196 | 3-1/8 | 26.27 |
| CTC-5P4976 | 3-1/8 | 26.27 |
| CTC-1672471 | 3-1/4 | 47.08 |
| CTC-7J7732 | 3-1/4 | 34.97 |
| CTC-2253285 | 3-1/4 | 47.08 |
| CTC-3465199 | 3-1/4 | 47.08 |
| CTC-3E4173 | 3-1/4 | 28.54 |
| CTC-5J7034 | 3-1/4 | 7.61 |
| CTC-6J4169 | 3-1/4 | 34.97 |
| CTC-7K9211 | 3-1/4 | 28.68 |
| CTC-8T8389 | 3-1/4 | 47.08 |
| CTC-3E4171 | 3-3/8 | 7.83 |
| CTC-3G5052 | 3-3/8 | 22.78 |

WIPERS

| Part Number | Rod Dia. | List Price |
|-------------|----------|------------|
| CTC-5P1177 | 3-3/8 | \$22.78 |
| CTC-3E4111 | 3-3/8 | 4.16 |
| CTC-3119318 | 3-1/2 | 48.24 |
| CTC-1433672 | 3-1/2 | 48.24 |
| CTC-1672474 | 3-1/2 | 48.24 |
| CTC-2253286 | 3-1/2 | 48.24 |
| CTC-3E4147 | 3-1/2 | 6.90 |
| CTC-3E4176 | 3-1/2 | 39.35 |
| CTC-4J8981 | 3-1/2 | 48.24 |
| CTC-5J7032 | 3-1/2 | 7.83 |
| CTC-7K9212 | 3-1/2 | 39.35 |
| CTC-7K9213 | 3-1/2 | 33.03 |
| CTC-8C5219 | 3-1/2 | 48.24 |
| CTC-9D6591 | 3-1/2 | 28.68 |
| CTC-3E4112 | 3-1/2 | 4.21 |
| CTC-3E4134 | 3-1/2 | 14.68 |
| CTC-3E4155 | 3-1/2 | 10.18 |
| CTC-5U3529 | 3-1/2 | 7.83 |
| CTC-3465196 | 3-3/4 | 49.10 |
| CTC-2271149 | 3-3/4 | 49.10 |
| CTC-3E4113 | 3-3/4 | 4.46 |
| CTC-3E4172 | 3-3/4 | 8.01 |
| CTC-4T5540 | 3-3/4 | 9.10 |
| CTC-5P5322 | 3-3/4 | 47.34 |
| CTC-7K9214 | 3-3/4 | 47.34 |
| CTC-8C9135 | 3-3/4 | 49.10 |
| CTC-8J6069 | 3-3/4 | 34.90 |
| CTC-9J1325 | 3-3/4 | 34.90 |
| CTC-1389739 | 4 | 8.99 |
| CTC-1672482 | 4 | 49.43 |
| CTC-2253287 | 4 | 49.43 |
| CTC-3E4114 | 4 | 4.69 |
| CTC-3E4135 | 4 | 19.15 |
| CTC-3E4148 | 4 | 8.99 |
| CTC-3E4156 | 4 | 11.26 |
| CTC-3E4177 | 4 | 55.42 |
| CTC-5J2221 | 4 | 10.21 |
| CTC-5P0067 | 4 | 56.95 |
| CTC-7J5673 | 4 | 44.77 |
| CTC-7K9216 | 4 | 55.42 |

WIPERS

| Part Number | Rod Dia. | List Price |
|-------------|----------|------------|
| CTC-7K9217 | 4 | \$56.95 |
| CTC-8C5220 | 4 | 49.43 |
| CTC-3119321 | 4 | 49.43 |
| CTC-2253288 | 4-1/4 | 61.86 |
| CTC-3E4115 | 4-1/4 | 4.95 |
| CTC-4T1637 | 4-1/4 | 10.57 |
| CTC-5P3193 | 4-1/4 | 45.72 |
| CTC-7J8942 | 4-1/4 | 57.41 |
| CTC-3G5053 | 4-3/8 | 68.02 |
| CTC-5P1176 | 4-3/8 | 68.02 |
| CTC-2253289 | 4-1/2 | 69.85 |
| CTC-2951315 | 4-1/2 | 69.85 |
| CTC-3358966 | 4-1/2 | 69.85 |
| CTC-3E4116 | 4-1/2 | 5.08 |
| CTC-3E4136 | 4-1/2 | 22.32 |
| CTC-3E4178 | 4-1/2 | 76.80 |
| CTC-3G8505 | 4-1/2 | 11.43 |
| CTC-3J4458 | 4-1/2 | 76.80 |
| CTC-7K9218 | 4-1/2 | 45.99 |
| CTC-3E4157 | 4-1/2 | 12.51 |
| CTC-3E4117 | 4-3/4 | 5.29 |
| CTC-7J9256 | 4-3/4 | 62.63 |
| CTC-7K9219 | 4-3/4 | 61.13 |
| CTC-0903016 | 5 | 53.30 |
| CTC-1211596 | 5 | 27.79 |
| CTC-2892931 | 5 | 15.98 |
| CTC-3E4118 | 5 | 6.24 |
| CTC-3E4137 | 5 | 24.98 |
| CTC-3E4149 | 5 | 14.07 |
| CTC-3E4158 | 5 | 14.80 |
| CTC-7K9220 | 5 | 61.13 |
| CTC-8J4520 | 5 | 83.13 |
| CTC-9J2547 | 5 | 15.98 |
| CTC-9X3582 | 5 | 83.28 |
| CTC-3469383 | 5 | 83.28 |
| CTC-4T5663 | 5-1/4 | 19.73 |
| CTC-3E4119 | 5-1/4 | 6.33 |
| CTC-1525063 | 5-1/2 | 52.35 |
| CTC-9X3573 | 5-1/2 | 52.35 |
| CTC-6J3073 | 5-1/2 | 46.33 |

REPLACEMENT PARTS FOR CATERPILLAR® EQUIPMENT

NOTE: CATERPILLAR kit numbers are used as a reference only. We do not imply that these kits are original REPLACEMENT PARTS.

WIPERS

| Part Number | Rod Dia. | List Price |
|-------------|----------|------------|
| CTC-1211604 | 5-3/4 | \$51.61 |
| CTC-9J5469 | 5-3/4 | 54.50 |
| CTC-3E4120 | 5-3/4 | 7.58 |
| CTC-1672497 | 6 | 41.93 |
| CTC-1U2708 | 6 | 23.48 |
| CTC-2253294 | 6 | 41.93 |
| CTC-3E4121 | 6 | 7.93 |
| CTC-3J7622 | 6 | 113.09 |
| CTC-9J1697 | 6 | 113.09 |
| CTC-9X7255 | 6 | 41.93 |
| CTC-2253295 | 6-1/2 | 43.87 |
| CTC-3E4122 | 6-1/2 | 8.38 |
| CTC-5P2322 | 6-1/2 | 111.09 |
| CTC-5P2672 | 6-1/2 | 36.81 |
| CTC-6J0542 | 6-1/2 | 87.85 |
| CTC-7J2806 | 6-1/2 | 87.37 |
| CTC-8J1877 | 6-1/2 | 87.37 |
| CTC-9X7323 | 6-1/2 | 43.87 |
| CTC-3J4460 | 6-3/4 | 84.96 |
| CTC-8C9146 | 6-3/4 | 111.09 |
| CTC-3E4123 | 6-3/4 | 8.53 |
| CTC-2J4779 | 7 | 198.10 |
| CTC-5J2682 | 7 | 80.98 |
| CTC-8C9136 | 7 | 102.88 |
| CTC-9X7333 | 7 | 198.10 |
| CTC-9X7366 | 7 | 80.98 |
| CTC-2253296 | 7 | 102.88 |
| CTC-3469382 | 7 | 102.88 |
| CTC-1080134 | 7-1/4 | 207.96 |
| CTC-1672501 | 7-1/4 | 207.96 |
| CTC-2253297 | 7-1/4 | 207.96 |
| CTC-4T4802 | 7-1/4 | 24.94 |
| CTC-1080132 | 7-1/2 | 223.00 |
| CTC-2253298 | 7-1/2 | 223.00 |
| CTC-2892930 | 7-1/2 | 98.19 |
| CTC-7J3320 | 7-1/2 | 98.19 |
| CTC-1214172 | 7-3/4 | 30.96 |
| CTC-2253299 | 8 | 179.10 |
| CTC-7X4786 | 8 | 146.13 |
| CTC-8J9934 | 8-1/2 | 58.60 |

WIPERS

| Part Number | Rod Dia. | List Price |
|-------------|----------|------------|
| CTC-2892957 | 9 | \$258.97 |
| CTC-6J7694 | 9 | 38.13 |
| CTC-9X7354 | 9 | 258.97 |
| CTC-1U4625 | 11 | 53.12 |
| CTC-9X7353 | 11 | 160.44 |
| CTC-9X7368 | 11 | 53.12 |
| CTC-4T4130 | 12-1/2 | 123.12 |
| CTC-9X7352 | 12-1/2 | 167.56 |
| CTC-9X7369 | 12-1/2 | 123.12 |
| CTC-9X7350 | 13-1/2 | 172.00 |
| CTC-9X7370 | 13-1/2 | 260.68 |
| CTC-1449480 | 30 mm | 24.54 |
| CTC-1402392 | 35 mm | 25.17 |
| CTC-1404934 | 35 mm | 20.03 |
| CTC-0546560 | 36 mm | 7.44 |
| CTC-1921161 | 40 mm | 24.15 |
| CTC-2047233 | 40 mm | 15.23 |
| CTC-1449492 | 40 mm | 25.66 |
| CTC-1754734 | 40 mm | 24.48 |
| CTC-4784173 | 40 mm | 22.40 |
| CTC-3382412 | 40 mm | 12.12 |
| CTC-6R8716 | 40 mm | 4.97 |
| CTC-1920625 | 45 mm | 26.32 |
| CTC-1930789 | 45 mm | 10.77 |
| CTC-1991137 | 45 mm | 26.57 |
| CTC-2034038 | 45 mm | 10.77 |
| CTC-1410713 | 45 mm | 26.28 |
| CTC-1461086 | 45 mm | 26.57 |
| CTC-1980662 | 45 mm | 5.45 |
| CTC-2330617 | 45 mm | 11.60 |
| CTC-2508702 | 45 mm | 26.57 |
| CTC-3382413 | 45 mm | 12.57 |
| CTC-3944851 | 45 mm | 26.57 |
| CTC-0993929 | 50 mm | 41.97 |
| CTC-1465884 | 50 mm | 26.91 |
| CTC-1708824 | 50 mm | 26.91 |
| CTC-1921171 | 50 mm | 27.64 |
| CTC-1931374 | 50 mm | 41.97 |
| CTC-2034022 | 50 mm | 41.97 |
| CTC-0957101 | 50 mm | 26.47 |

WIPERS

| Part Number | Rod Dia. | List Price |
|---------------|----------|------------|
| CTC-1163393 | 50 mm | \$41.97 |
| CTC-1463958 | 50 mm | 26.91 |
| CTC-2330619 | 50 mm | 12.38 |
| CTC-2725681 | 50 mm | 41.97 |
| CTC-2774129 | 50 mm | 26.91 |
| CTC-3944845 | 50 mm | 26.91 |
| CTC-4784175 | 50 mm | 25.79 |
| CTC-3295790 | 50 mm | 11.46 |
| CTC-3382414 | 50 mm | 12.72 |
| CTC-1708774 | 55 mm | 32.04 |
| CTC-3295791 | 55 mm | 14.62 |
| CTC-3743664 | 55 mm | 32.04 |
| CTC-0996995 | 55 mm | 30.24 |
| CTC-1163392 | 55 mm | 30.24 |
| CTC-1659280 | 55 mm | 22.21 |
| CTC-2330625 | 55 mm | 13.36 |
| CTC-2725644 | 55 mm | 12.70 |
| CTC-2773381 | 55 mm | 32.04 |
| CTC-4784176 | 55 mm | 21.31 |
| CTC-0961884 | 60 mm | 15.95 |
| CTC-0931433 | 60 mm | 9.34 |
| CTC-0931435 | 60 mm | 32.77 |
| CTC-1163391 | 60 mm | 32.77 |
| CTC-1183119 | 60 mm | 4.40 |
| CTC-1659281 | 60 mm | 22.74 |
| CTC-2330618 | 60 mm | 22.34 |
| CTC-3743665 | 60 mm | 34.73 |
| CTC-4784177 | 60 mm | 22.52 |
| CTC-3382415 | 60 mm | 13.62 |
| CTC-1095257 | 63 mm | 17.47 |
| CTC-3743666 | 65 mm | 36.81 |
| CTC-0957102 | 65 mm | 14.63 |
| CTC-1163390 | 65 mm | 34.75 |
| CTC-1460741 | 65 mm | 29.65 |
| CTC-1659282 | 65 mm | 24.44 |
| CTC-1948332 | 65 mm | 36.81 |
| CTC-A04501417 | 65 mm | 34.75 |
| CTC-4784178 | 65 mm | 23.65 |
| CTC-3382416 | 65 mm | 14.40 |
| CTC-2258698 | 70 mm | 30.30 |

REPLACEMENT PARTS FOR CATERPILLAR® EQUIPMENT

NOTE: CATERPILLAR part numbers are used as a reference only. We do not imply that these kits are original REPLACEMENT PARTS.

WIPERS

| Part Number | Rod Dia. | List Price |
|---------------|----------|------------|
| CTC-3743667 | 70 mm | \$39.51 |
| CTC-4161295 | 70 mm | 39.51 |
| CTC-0931434 | 70 mm | 11.82 |
| CTC-0931436 | 70 mm | 37.30 |
| CTC-0931439 | 70 mm | 15.33 |
| CTC-1163389 | 70 mm | 37.30 |
| CTC-1659283 | 70 mm | 39.51 |
| CTC-1982952 | 70 mm | 39.51 |
| CTC-2782324 | 70 mm | 28.37 |
| CTC-8Q5891 | 70 mm | 30.30 |
| CTC-A04501418 | 70 mm | 37.30 |
| CTC-4784179 | 70 mm | 24.36 |
| CTC-3382417 | 70 mm | 14.84 |
| CTC-3743668 | 75 mm | 42.47 |
| CTC-0965119 | 75 mm | 16.26 |
| CTC-1163388 | 75 mm | 40.10 |
| CTC-1659284 | 75 mm | 42.47 |
| CTC-4161273 | 75 mm | 42.47 |
| CTC-A04501419 | 75 mm | 40.10 |
| CTC-1764890 | 75 mm | 40.10 |
| CTC-4784180 | 75 mm | 24.82 |
| CTC-0931440 | 80 mm | 16.68 |
| CTC-0931379 | 80 mm | 18.70 |
| CTC-0990121 | 80 mm | 47.29 |
| CTC-1163387 | 80 mm | 47.29 |
| CTC-1505841 | 80 mm | 50.10 |
| CTC-1659285 | 80 mm | 50.10 |
| CTC-1982954 | 80 mm | 47.29 |
| CTC-2330637 | 80 mm | 26.52 |
| CTC-3743669 | 80 mm | 50.10 |
| CTC-4161284 | 80 mm | 50.10 |
| CTC-4784181 | 80 mm | 24.89 |
| CTC-A04501420 | 80 mm | 47.29 |
| CTC-0940707 | 85 mm | 16.59 |
| CTC-1140644 | 85 mm | 53.67 |
| CTC-1211611 | 85 mm | 16.59 |
| CTC-1540729 | 85 mm | 56.86 |
| CTC-1659286 | 85 mm | 16.59 |
| CTC-2330622 | 85 mm | 34.40 |
| CTC-7Y5115 | 85 mm | 53.67 |

WIPERS

| Part Number | Rod Dia. | List Price |
|-------------|----------|------------|
| CTC-4161312 | 85 mm | \$16.59 |
| CTC-4560192 | 85 mm | 16.59 |
| CTC-2829598 | 90 mm | 30.62 |
| CTC-0931441 | 90 mm | 58.02 |
| CTC-1163386 | 90 mm | 58.02 |
| CTC-1261885 | 90 mm | 61.48 |
| CTC-1540749 | 90 mm | 61.48 |
| CTC-1659287 | 90 mm | 61.48 |
| CTC-1661495 | 90 mm | 40.12 |
| CTC-1672473 | 90 mm | 61.48 |
| CTC-1793046 | 90 mm | 58.02 |
| CTC-7X4803 | 90 mm | 40.12 |
| CTC-4560193 | 90 mm | 61.48 |
| CTC-4784183 | 90 mm | 25.05 |
| CTC-3512180 | 90 mm | 22.39 |
| CTC-1140645 | 95 mm | 40.26 |
| CTC-1359054 | 95 mm | 31.94 |
| CTC-1505828 | 95 mm | 17.23 |
| CTC-1659288 | 95 mm | 17.23 |
| CTC-2330624 | 95 mm | 38.42 |
| CTC-2590655 | 95 mm | 31.94 |
| CTC-4560194 | 95 mm | 17.23 |
| CTC-5563010 | 95 mm | 19.00 |
| CTC-7Y4626 | 95 mm | 40.26 |
| CTC-0931437 | 100 mm | 60.92 |
| CTC-0944057 | 100 mm | 15.08 |
| CTC-0960059 | 100 mm | 60.92 |
| CTC-1076254 | 100 mm | 60.92 |
| CTC-1140646 | 100 mm | 60.92 |
| CTC-1336904 | 100 mm | 15.08 |
| CTC-1540736 | 100 mm | 15.08 |
| CTC-1659289 | 100 mm | 15.08 |
| CTC-1672480 | 100 mm | 64.55 |
| CTC-9X4597 | 100 mm | 49.67 |
| CTC-4560195 | 100 mm | 15.08 |
| CTC-1982953 | 100 mm | 60.92 |
| CTC-7Y4667 | 105 mm | 23.99 |
| CTC-1140647 | 105 mm | 58.87 |
| CTC-1336813 | 105 mm | 62.36 |
| CTC-1336909 | 105 mm | 31.14 |

WIPERS

| Part Number | Rod Dia. | List Price |
|---------------|----------|------------|
| CTC-1540767 | 105 mm | \$62.36 |
| CTC-1659290 | 105 mm | 62.36 |
| CTC-1672483 | 105 mm | 62.36 |
| CTC-4560196 | 105 mm | 31.14 |
| CTC-1119957 | 110 mm | 62.41 |
| CTC-1336814 | 110 mm | 66.11 |
| CTC-1659291 | 110 mm | 18.74 |
| CTC-3033489 | 110 mm | 63.77 |
| CTC-7Y4940 | 110 mm | 62.41 |
| CTC-A04903618 | 110 mm | 62.41 |
| CTC-1915648 | 115 mm | 28.78 |
| CTC-2095877 | 115 mm | 28.78 |
| CTC-1659292 | 125 mm | 37.69 |
| CTC-1704830 | 125 mm | 40.25 |
| CTC-0965536 | 130 mm | 38.61 |
| CTC-1119958 | 130 mm | 74.73 |
| CTC-1362443 | 130 mm | 74.73 |
| CTC-1659293 | 130 mm | 79.17 |
| CTC-1672494 | 140 mm | 81.12 |
| CTC-1076615 | 140 mm | 76.56 |
| CTC-1659294 | 140 mm | 81.12 |
| CTC-1672496 | 150 mm | 85.06 |
| CTC-1076616 | 150 mm | 80.28 |
| CTC-1659296 | 150 mm | 85.06 |
| CTC-7Y0975 | 150 mm | 80.28 |